

# Radical Ride Tube Slide

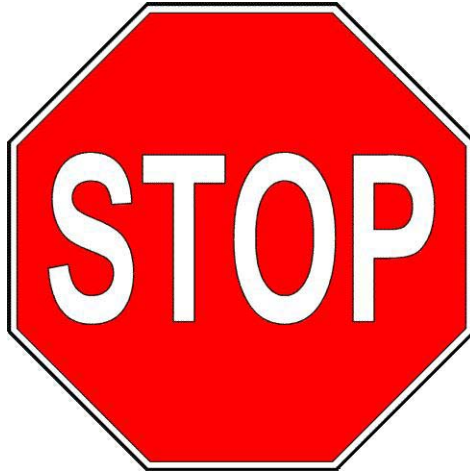
Copyright © 2017 Gorilla Playsets  
All Rights Reserved



51-0002

190 Etowah Industrial Court  
Canton, GA 30114

[www.gorillaplaysets.com](http://www.gorillaplaysets.com)



Please inspect and inventory all parts immediately upon accepting delivery. Use the inventory pages in the manual to make sure you have received all necessary parts. The quickest method to get any parts that are missing or damaged is to use our “Quick Response Center” located at:

**[www.gorillaplaysets.com/support](http://www.gorillaplaysets.com/support)**

DO NOT RETURN THIS PRODUCT TO THE RETAILER OR CONTACT THE RETAILER DIRECTLY. THE RETAILER DOES NOT STOCK COMPONENTS.

PLEASE RETAIN ALL INSTRUCTIONS FOR FUTURE REFERENCE. KEEP THEM IN A SAFE PLACE WHERE YOU CAN REFER TO THEM AS NEEDED. CHECK FOR REVISED INSTRUCTIONS AT:

**[www.gorillaplaysets.com/manuals](http://www.gorillaplaysets.com/manuals)**

## GORILLA PLAYSETS WARRANTY – 2017

---

Gorilla Playsets® (“Gorilla”) warrants its play sets to be free from defects in workmanship and materials, under normal use and conditions, for 10 years for above ground structural wood components and for one year for all other components (e.g., swings, hardware, plastics, tarps, rope ladder, etc.).

Gorilla warrants all remaining products, including but not limited to its, Malibu Playhouse, Free Standing Swing Set, Free Standing Tire Swing, See-Saw, Children’s Picnic Table with Umbrella, Play-Zee-Bo™, Cedar Toy Chest, Interlocking Sandbox and spring riders to be free from defects in workmanship and materials, under normal use and conditions, for a period of 1 year.

**Cosmetic imperfections and natural tendencies of wood such as peeling, splintering, warping, seasonal checking or cracking, knots or knot holes, etc. are normal characteristics of all outdoor wooden play equipment and are not covered by this warranty. Checks or cracks in wood components that do not affect the intended function of the part, piece or overall swing set are not covered under this warranty.**

Wood rot or decay that develops because the product was installed in an area with poor drainage is not covered under this warranty. Lumber that has been damaged by wood boring bees, or conditions that develop as a result of faulty or improper installation of the product, are not covered by this warranty. Fading of stain, discoloration or mold on any wood part or accessory is not covered by this warranty. Cracks in plastic components, surface rust on hardware and chips on powder coated materials are not considered defects in material as long as they do not affect the functionality or structural integrity of the part or component.

It is the owner’s responsibility to maintain the swing set. **This includes but is not limited to staining and sealing the lumber as needed and regular inspection to be sure all hardware is tight.** Instructions for proper maintenance can be found on Gorilla’s website. Imperfections or conditions that develop because of a failure to properly maintain the swing set are not covered by this warranty.

Gorilla will, at its discretion, replace any above ground part within the stated warranty period that is defective in workmanship or materials. This decision is subject to verification of the defect, which, at Gorilla’s discretion, may be accomplished by submitting photographs or by delivery of the defective part to Gorilla Playsets • 190 Etowah Industrial Ct. • Canton, GA 30114 • 1-800-882-0272 Monday to Friday 9AM-5PM EST. Any warranty claim must include proof of purchase, including the date of purchase. **In addition, within the first 30 days from the date of purchase, Gorilla will replace any parts discovered to be missing from or damaged in the original packaging.**

This warranty is valid only if the product is used for the purpose for which it was designed and installed at a residential, single-family dwelling. This warranty is void if the product is used in a commercial, institutional or multi-family setting. **This warranty does not cover normal wear and tear or (a) products that have been damaged by acts of God and/or nature, negligence, misuse or accident; (b) products that have been modified or repaired by unauthorized persons; (c) the cost of labor; or (d) the cost of shipping any replacement product or part.**

GORILLA DISCLAIMS ALL OTHER REPRESENTATIONS AND WARRANTIES OF ANY KIND, EXPRESSED, IMPLIED, STATUTORY OR OTHERWISE, INCLUDING THE IMPLIED WARRANTIES OF MERCHANTABILITY AND FITNESS FOR A PARTICULAR PURPOSE. GORILLA WILL NOT BE LIABLE FOR ANY INCIDENTAL OR CONSEQUENTIAL DAMAGES. This warranty is non-transferable and does not extend to the owners of the product subsequent to the original purchaser. Some states do not allow limitations on implied warranties or exclusion of incidental or consequential damages, so these restrictions may not be applicable to you. This warranty gives you specific legal rights. You may also have other rights which vary from state to state.

# IMPORTANT SAFETY GUIDELINES

This product is recommended for use by children ages 3-11. This product is intended for residential use only and not intended for use in any public setting. A safety surface such as mulch or recycled tire should be used under the play set to prevent injury from falls. Also a 6 foot safety zone should be used around the entire play set.

As with any home project, good judgment and respect for power tools will greatly reduce the risk of injury. Gorilla recommends you follow all tool manufacturers' safety guidelines. Always wear eye protection and safety gloves to prevent injury. In several phases of construction two people may be required for lifting and securing of lumber. While the play set is being constructed, please keep children off the equipment until the project is complete. Bolts and screw heads should be checked regularly for tightness. The ground ladder, rope ladder, slide, swings and other areas where children spend a majority of their playtime should be checked more frequently.

Gorilla shall not be liable for incidental, indirect or consequential damages or injuries that result from building and/or playing on our play sets. Adult supervision is recommended anytime a play set is being used.

## WEIGHT LIMITS FOR GORILLA PLAYSETS

- FORT PLATFORMS: 800 LBS. TOTAL WEIGHT
- SWING BELT: 225 LBS.
- TANDEM SWINGS: 70 LBS. PER CHILD. UP TO 140 LBS. TOTAL WEIGHT.
- TRAPEZE: 125 LBS.
- FULL BUCKET SWING/ HALF BUCKET SWING: 50 LBS.
- HEAVY DUTY TODDLER BUCKET SWING: 85 LBS.
- INFANT SWING: 35 LBS.
- TIRE SWING: 125 LBS. TOTAL WEIGHT
- ROPE LADDER: 75 LBS.
- ROCK WALL: 150 LBS.
- CLIMBING RAMP: 150 LBS.
- MONKEY BARS: 175 LBS.
- ALL SLIDES: 150 LBS.

Gorilla recommends that the weight limits for all components must not be exceeded. Failure to adhere to these and other safety guidelines could result in damage to the play set and injury to the users.

# PRODUCT REGISTRATION

- RADICAL RIDE 7' TUBE SLIDE -

Gorilla Playsets™ manufactures the finest quality products that are designed for outstanding strength and durability. We back our products with unparalleled warranties. In the unlikely event that you need to contact us about covered repairs, we must have a valid Product Registration on file.

3 EASY WAYS TO REGISTER	
<b>OPTION 1</b>	Complete the online registration form at: <b><a href="http://www.gorillaplaysets.com/register">http://www.gorillaplaysets.com/register</a></b>
<b>OPTION 2</b>	Fax this completed form to: <b>(678) 880-3300</b>
<b>OPTION 3</b>	Mail this completed form to: <b>Gorilla Playsets</b> <b>190 Etowah Industrial Court</b> <b>Canton, GA 30114</b>

## Where did you buy this product?

Date of Purchase \_\_\_\_\_

Store \_\_\_\_\_

Store City \_\_\_\_\_

Store State \_\_\_\_\_

## Your registration information:

Name: \_\_\_\_\_ Email: \_\_\_\_\_

Address: \_\_\_\_\_

Street

City

State

Zip

Please select  18-30  41-50

your age  31-40  51+

How old are  2-3  6-7

your children?  4-5  8+

Number of   
children

How would  ★ ★ ★ ★ ★ Excellent  
you rate the  ★ ★ ★ ★ Above Average  
quality of this  ★ ★ ★ Average  
product?  ★ ★ Below Average  
 ★ Poor

Would you recommend this product to friends & family?  Yes  No

May we add you to our mailing list?  Yes  No

May we use your comments on websites or other marketing materials?  Yes  No

Comments: \_\_\_\_\_

---

---

---

**THIS PAGE INTENTIONALLY LEFT BLANK**

## **IMPORTANT – PLEASE READ**

Congratulations! You have just purchase one of the finest residential wooden swing sets available today. As with any wooden product that spends its entire life outside, in varying elements, it is important to know what to expect with your new swing set so that your family can enjoy it for many years.

As your swing set acclimates to its new environment, natural characteristics of the wood can show in the form of checks, or “cracks” in the lumber. In almost all cases this is normal and it will not affect the structural integrity of your play set and is not covered under warranty.

## **KEEPING YOUR PLAYSET LIKE NEW**

### **MUST DO's**

**The following owner responsibilities are crucial to the safety, integrity and aesthetic appeal of your swing set and may affect the warranty if not adhered to.**

#### **WITHIN 60 DAYS**

- Check and tighten Hex Bolts/T-nuts, Carriage Bolts/Lock-nuts, and Lag Screws within the first 60 days and then twice annually – once before each season and then once during the season.

#### **WITHIN 90 DAYS**

- Apply a **sealant** or **semi-transparent stain with sealant** within the first 90 days of owning the swing set. Our own Stain/sealant is available online here: <http://www.gorillaplaysets.com/Playground-Sealant-p/10-0003.htm>

Oil based stain or water based stain may be used. Should you choose to use other stain we suggest asking the product covering specialists at any number of specialty paint stores or home improvement centers for a product that would work best for your local environment. \*\* TIP – while the set is new, take a small board from the store with you so they can color match the tint of the stain or sealant.

#### **SEASONAL REMINDERS**

- If your area experiences regular snowfall, remove your fabric tarp/canopy to avoid stretching, sagging or tearing of the material. Store it inside, folded up, and it will be as good as new when winter is over.
- If your area experiences extremely cold temperatures, remove swing belts and other pliable features to prolong the lifespan of these play activities.

#### **OTHER TIPS**

- Spray swing hangers with Pam, Mazola or olive oil to stop squeaking; do not use petroleum based products such as WD-40 or motor oil.
- To repel yellow jackets and wasps, use a cotton ball and dab interior wooden corners underneath the play set deck with a liquid dish soap. Avoid using insecticides.
- To speed up the slide wipe the center of slide with wax paper every 2 - 3 weeks.

For additional safety and maintenance guidelines, please visit our website.



# IMPORTANT DOCUMENTS

## CUSTOMER MUST READ AND RETAIN

Please go to the following links and read important **SAFETY** information prior to using your new play structure.

<http://www.gorillaplaysets.com/Swing-Set-Safety-s/85.htm>

<https://www.gorillaplaysets.com/Maintenance-s/129.htm>

<http://www.gorillaplaysets.com/manuals.html> (Click on your specific model)

<http://www.gorillaplaysets.com/Warranty-s/82.htm>

**NOTE:** Your children's safety is our #1 concern. Observing the following statements and warnings reduces the likelihood of serious injury. Please review these safety rules regularly with your children.

### **WARNING:**

***Children must NOT use this play set until it has been completely assembled and inspected by an adult to ensure it has been properly installed.***

Gorilla Playsets  
190 Etowah Industrial Court  
Canton, GA. 30114



# TABLE OF CONTENTS

Safety Guidelines.....	Pages 2-3
Play Set Surfacing Recommendations / Fall Heights and Materials.....	Page 4
General Information / Tool List.....	Page 5
Radical Ride Tube Slide Dimensions.....	Pages 6-7
Hardware and Part Checklist.....	Pages 8-10
Entrance Section.....	Step 1
Elbow Sections and Exit Elbow section.....	Step 2
Fastening Elbow Sections together.....	Step 3
Attaching the Slide Entrance.....	Step 4
Attaching the Foot Stand.....	Step 5
Attaching the Footer Straps.....	Step 6
Slide Entry Plate.....	Step 7
Attaching Slide Entry.....	Steps 8-9

**PLEASE READ OWNER'S MANUAL CAREFULLY  
BEFORE STARTING ASSEMBLY!**

# **Safety and Maintenance Tips for Your New Play Set:**

**NOTE: Your children's safety is our #1 concern. Observing the following statements and warnings reduces the likelihood of serious or fatal injury. Please review these safety rules regularly with your children.**

- On-site adult supervision is required.
- Teach children not to walk close to, in front of, behind, or between moving swings or other moving playground equipment.
- Teach children to sit in and never stand on swings
- Teach children not to twist the chains and ropes and not to loop them over the swing beam, since this may reduce the strength of the chain or rope.
- Teach children not to jump from swings or other playground equipment in motion.
- Teach children not to push empty seats. The seat may hit them and cause serious injury.
- Teach children to sit in the center of the swings with their full weight on the seats.
- Teach children not to use the equipment in a manner other than intended.
- Teach children to always go down slides feet first. Never slide headfirst.
- Teach children to look before they slide to make sure no one is at the bottom.
- Teach children to never run up a slide, as this increases their chances of falling.
- The parents should have the children dress appropriately with well-fitting shoes. Loose clothing such as scarves and ponchos should not be worn. Always take off, tie up or tuck in cords and drawstrings on children's clothing. These things can get caught on playground equipment and strangle a child.
- Teach children not to climb when the equipment is wet.
- Teach children to never jump from a fort deck. They should always use the ladder, ramp or slide.
- Teach children to never crawl or walk across the top of monkey bars or swing beam.
- Teach children to never crawl on top of a fort roof or on the outside of a tube slide.
- Verify that any suspended climbing ropes, chains, or cables are secured at both ends and that they cannot be looped around an adult hand.
- Teach children not to attach items to the playground equipment that are not specifically designed for use with the equipment, such as, but not limited to, jump ropes, clothesline, pet leashes, cables and chain as they may cause a strangulation hazard.
- Teach children to never wrap their legs around swing chain.
- Teach children to never slide down the swing chain.
- Teach children to remove their bike or other sports helmet before playing on the playground equipment.
- Teach children to NEVER look at the sun or other bright light through any accessory such as but not limited to a telescope, periscope or binoculars.

**WARNING: Children must NOT use this play set until it has been completely assembled and inspected by an adult to insure it has been properly installed and the swing beam legs are anchored.**

# **Safety and Maintenance Tips for Your New Play Set: (continued)**

Playgrounds should be inspected on a regular basis. If any of the following conditions are noted, they should be removed, corrected, or repaired immediately to prevent injuries.

- Hardware that is loose, worn or that has protrusions or projections.
- Exposed equipment footings.
- Scattered debris, litter, rocks, or tree roots.
- Splinters, large cracks, and decayed wood components.
- Deterioration and corrosion on structural components, which connect to the ground.
- Missing or damaged equipment components, such as handholds, guardrails, swing seats.
- Check all nuts and bolts twice monthly during the usage season and tighten as required. (But not so tight that you crack the wood) We recommend you check the swing beam and hardware often due to wood expansion and contraction. It is particularly important that this procedure be followed at the beginning of each season.
- Remove plastic swing seats and take indoors or do not use when the temperature drops below 32°F. Reinstall swings and other swing equipment at the beginning of the usage season.
- Oil all metallic moving parts monthly during the usage period.
- Check all coverings for bolts and sharp edges twice monthly during usage season to be certain they are in place. Replace when necessary. It is especially important to do this at the beginning of each new season.
- Check swing seats, ropes, cables and chains monthly during usage season for evidence of deterioration. Replacement should be made of any swing seat that has developed cracks in the plastic seats. Ropes, cables and chains should be removed and replaced if excessive wear is found. Contact us for warranted replacement parts.
- Swing chains, rings, ropes, etcetera should always be fastened to a rotating swing hanger. NEVER attach a chain, ring, rope, etcetera to a stationary hanger such as but not limited to an eye bolt. Severe wear could occur leading to an injury.
- For rusted areas on metallic members such as monkey bars, hand supports brackets, etc.; sand and repaint, using a non lead-based paint meeting the requirements of Title 16 C.F.R. Part 1303. These requirements are available at: <http://www.cpsc.gov/>
- Inspect wood parts monthly. The grain of the wood sometimes will lift in the dry season causing splinters to appear. Light sanding may be necessary to maintain a safe playing environment. If you are treating your play set with stain regularly, it will help prevent severe checking/splitting and other weather damage.
- Once or twice a year, depending on your climate conditions, you must apply some type of protection (sealant) to the wood of your unit. Prior to the application of sealant, lightly sand any “rough” spots on your set. Please note this is a requirement of your warranty.
- Creating and maintaining the play set on a level location is very important. As your children play, your play set will slowly dig its way into the soil, and it is very important that it settles evenly. Make sure the play set is level and true once each year or at the beginning of each play season.
- Twice a month during the usage season rake the playground protective surfacing materials to prevent compaction and maintain appropriate depths. Replace the protective surfacing materials as required.
- Disposal Instructions: When the play set is no longer desired, it should be disassembled and disposed of in such away that no unreasonable hazards will exist at the time the play set is discarded.

# Play Set Surfacing Recommendations:

Below are some of the recommendations that the U.S. Consumer Product Safety Commission (CPSC) offers from its Handbook for Public Playground Safety. The guide can be downloaded in full at [www.cpsc.gov/PageFiles/122149/325.pdf](http://www.cpsc.gov/PageFiles/122149/325.pdf)

**1. Protective Surfacing** - Since almost 60% of all injuries are caused by falls to the ground, protective surfacing under and around all playground equipment is the most critical safety factor on playgrounds.

Certain manufactured synthetic surfaces also are acceptable; however, test data on shock absorbing performance should be requested from the manufacturer.

Asphalt and concrete are unacceptable. They do not have any shock absorbing properties. Similarly, grass and turf should not be used. Their ability to absorb shock during a fall can be reduced considerably through wear and environmental conditions.

Certain loose-fill surfacing materials are acceptable. Surfacing materials are acceptable, such as the types and depths shown in the table.

## Fall Heights and Materials

Type Of Material	6 in. depth	9 in. depth	12 in. depth
Double-Shredded bark mulch	6' Fall Height	10' Fall Height	11' Fall Height
Wood Chips	6' Fall Height	7' Fall Height	12' Fall Height
Fine Sand	5' Fall Height	5' Fall Height	9' Fall Height
Shredded Tires*	10-12' Fall Height	N/A	N/A
Fine Gravel	6' Fall Height	7' Fall Height	10' Fall Height

\*This data is from tests conducted by independent testing laboratories on a 6-inch depth of uncompressed shredded tire samples produced by four manufacturers. The tests reported critical heights, which varied from 10 feet to greater than 12 feet. It is recommended that persons seeking to install shredded tires as a protective surface request test data from the supplier showing the critical height of the material when it was tested in accordance with ASTM F1292.

*It should be recognized that all injuries due to falls cannot be prevented no matter what surfacing material is used.*

**2. Fall Zones** - A fall zone, covered with a protective surfacing material, is essential under and around equipment where a child might fall. This area should be free of other equipment and obstacles onto which a child might fall. Stationary climbing equipment and slides should have a fall zone extending a Minimum of 6' in all directions from the perimeter of the equipment.

Swings should have a fall zone extending a minimum of 6' from the outer edge of the support structure on each side. The fall zone in front and back of the swing should extend out a minimum distance of twice the height of the swing as measured from the ground to the top of the swing support structure.

# General Info to Review Before Installation

- Depending on your experience, assembly of the slide can take as little as 1 hour up to 2 hours, after inventory of parts; therefore, we recommend you set aside a full two hours for assembly.
- Identify all of the parts for your slide. Your instruction book will have detailed drawings that will make it easy for you to recognize individual parts. Keep all hardware and metal parts separate from wooden pieces.
- After everything is laid out, check carefully to ensure all parts are present. Make sure there are no missing or damaged pieces.
- Find an area to sort your hardware. It is best to open the hardware on a solid surface so that you do not lose any pieces in the grass. This will save time and familiarize you with all the different pieces in the hardware bag.
- After familiarizing yourself with all of the components, read all instructions thoroughly. Reading instructions after you have studied the parts will help you understand the installation process, and help to eliminate unnecessary mistakes.
- Pay close attention to the diameter and length of each bolt and screw.
- Never tighten hardware completely at first. It helps to have some adjustment for bolt alignment while you are attaching parts together. After everything is square, tighten each joint.
- After you complete installation, make sure every bolt, screw, and nut is tight, and every board is secure.
- Place the slide on level ground, not less than 6 feet from any structure or obstruction such as a fence, garage, house, overhanging branches, laundry lines, or electrical wires.

## **REQUIRED TOOL LIST:**

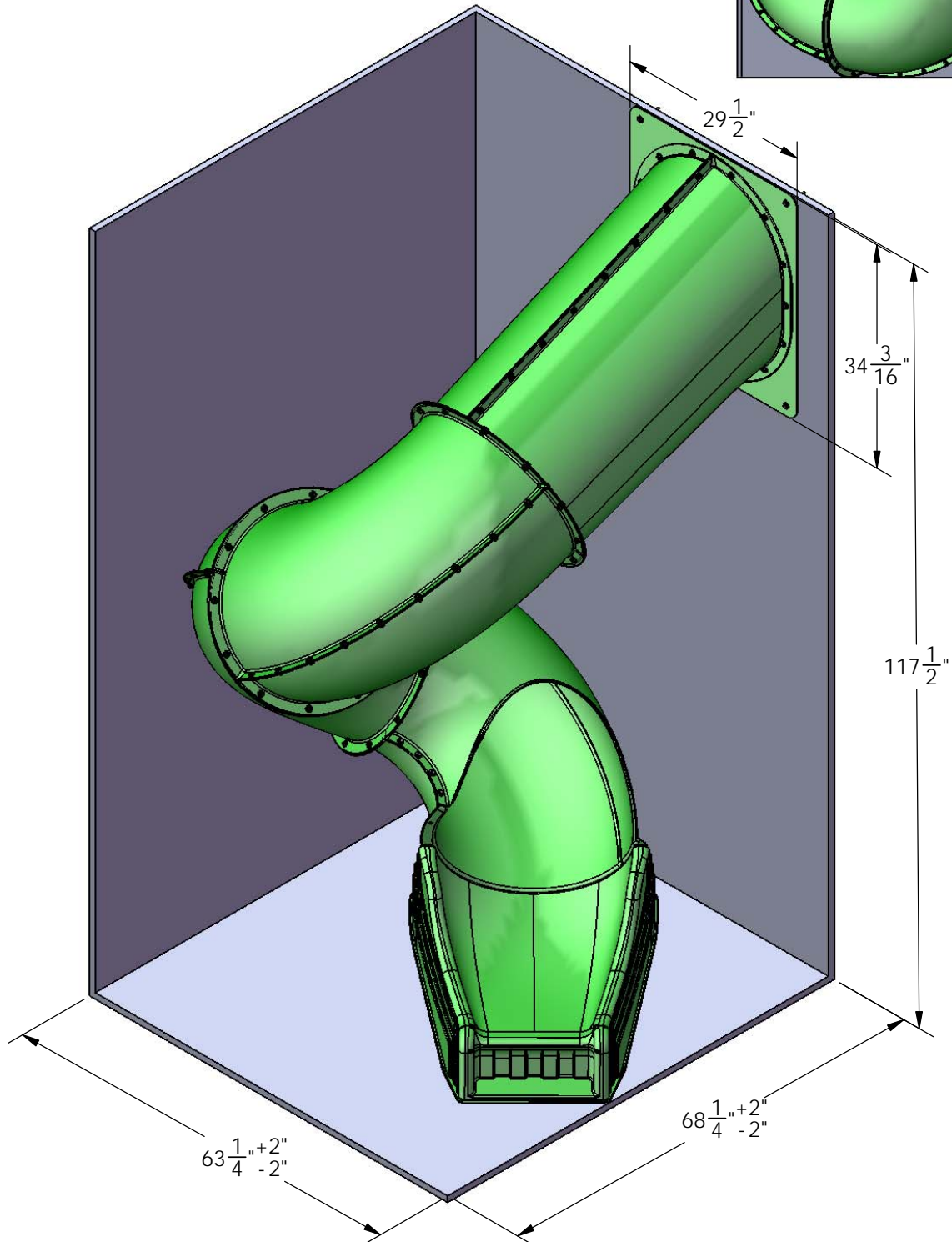
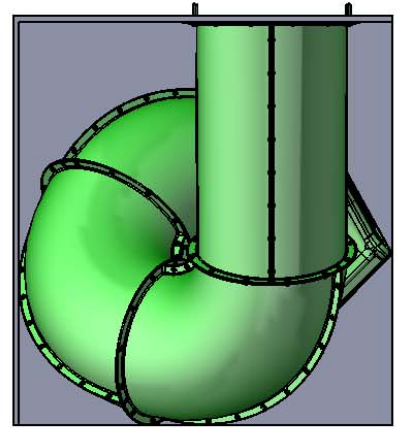
- \_\_\_ Standard or Cordless Drill
- \_\_\_ Drill Bits 3/8", 9/64"
- \_\_\_ 1/2" Wrench and Socket
- \_\_\_ 1/2" Deep Well Socket
- \_\_\_ Level
- \_\_\_ Tape Measure
- \_\_\_ Extension Cord (if using standard drill)
- \_\_\_ Hammer
- \_\_\_ Pencil
- \_\_\_ Locking Pliers (Vise Grips)
- \_\_\_ Shovel

# RADICAL RIDE TUBE SLIDE DIMENSIONS

BELOW ARE THE OVERALL DIMENSIONS OF THE RADICAL RIDE TUBE SLIDE. ADDITIONAL DIMENSIONS ARE ON THE NEXT PAGE.

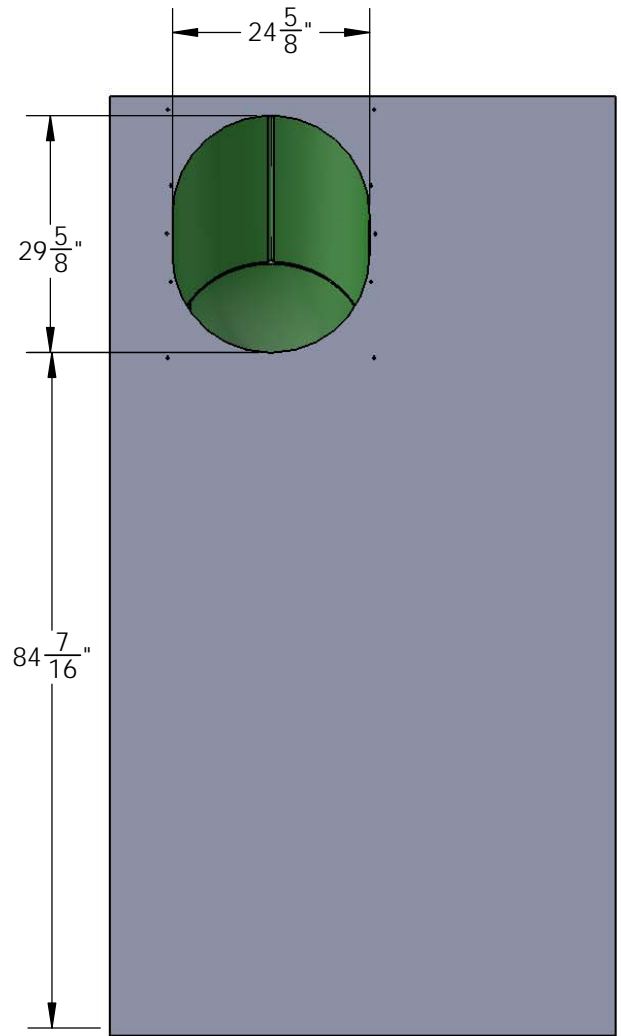
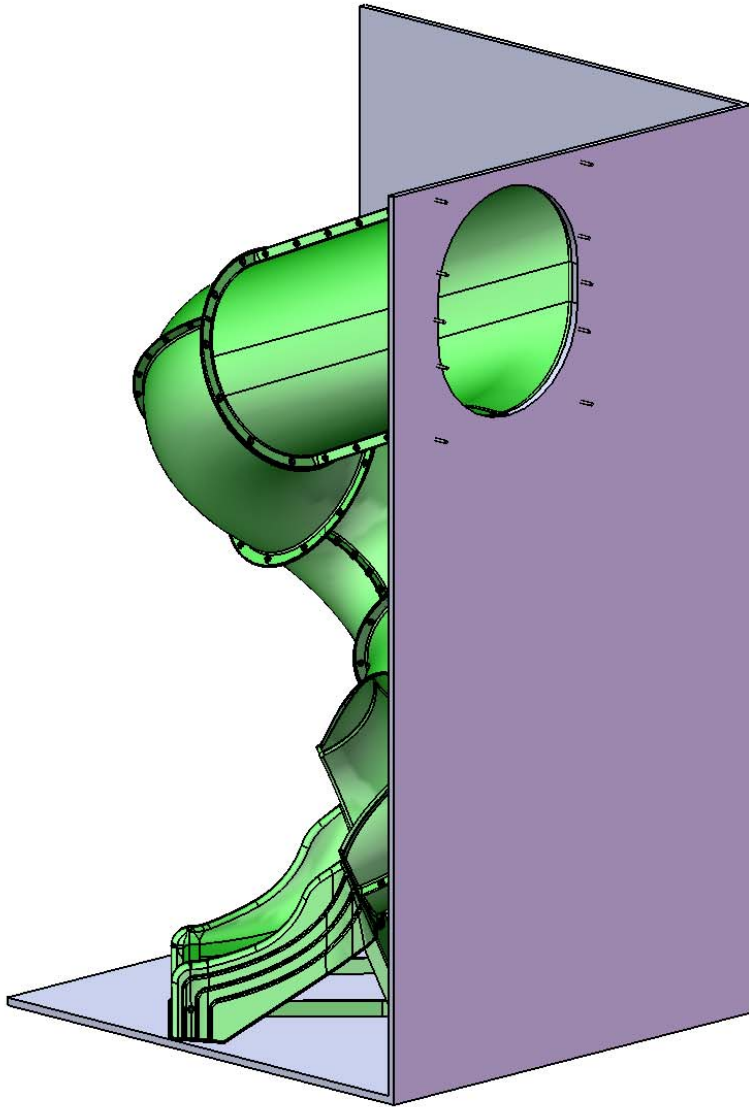
THE RADICAL RIDE TUBE SLIDE MAY ONLY BE BUILT AS SHOWN. IT CANNOT BE "REVERSED" TO SPIN THE OTHER WAY.

TOP VIEW

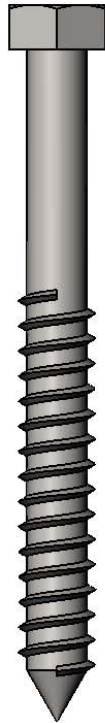


# RADICAL RIDE TUBE SLIDE DIMENSIONS

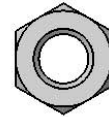
TUBE IS APPROXIMATELY 24" IN DIAMETER AFTER THE ENTRANCE.



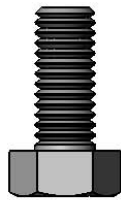
5/16 X 3-1/2"  
HEX LAG SCREW  
QTY: 10



5/16" LOCK NUT  
QTY: 94



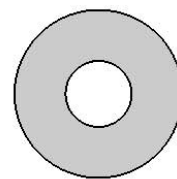
5/16 X 3/4"  
HEX BOLT  
QTY: 90



5/16 X 1-1/4"  
HEX BOLT  
QTY: 4



5/16" WASHER  
QTY: 198



9

8

7

6

5

4

3

2

1

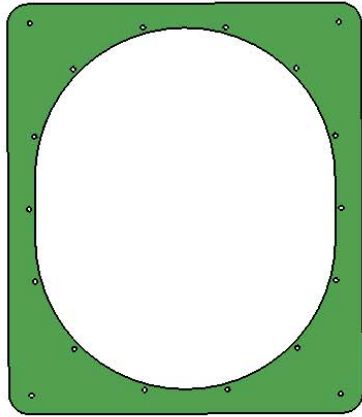
USE THE RULER TO THE RIGHT TO MEASURE YOUR BOLTS AND SCREWS. PICTURE VIEWS SHOWN ABOVE ARE 1:1 SCALE AND CAN BE USED TO MATCH BOLT AND SCREW SIZES.



PICTURE

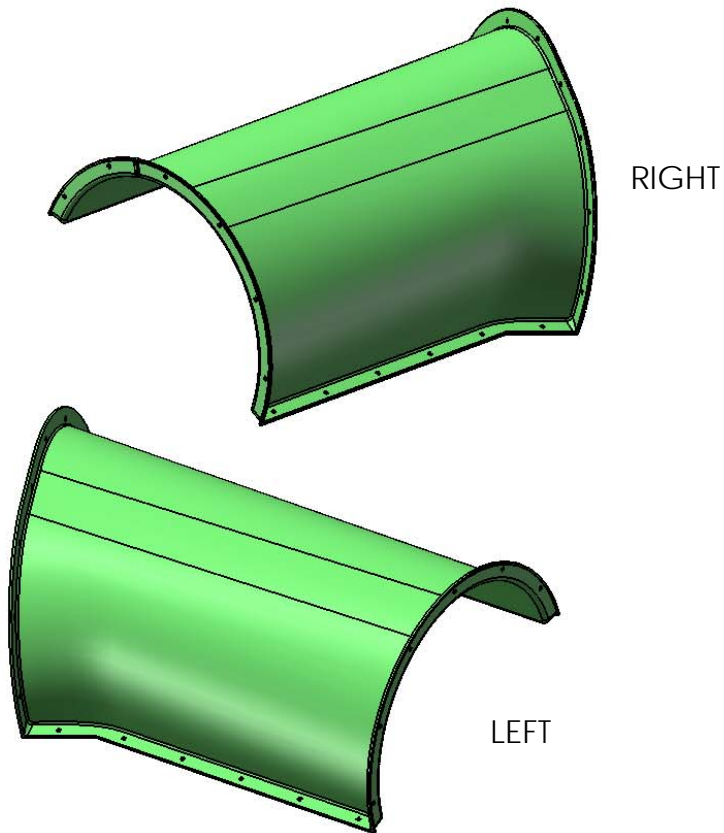
DESCRIPTION

QTY.



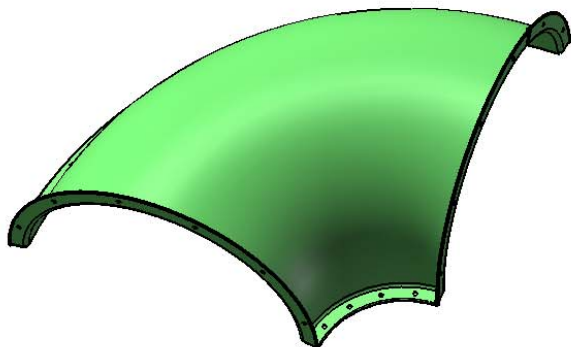
SLIDE  
ENTRY  
PLATE

1



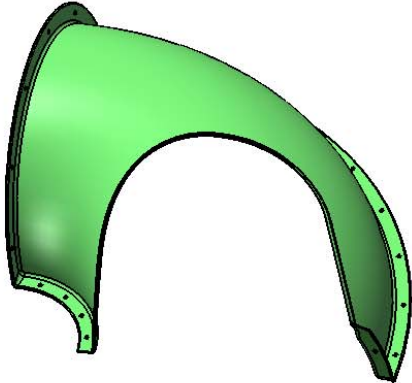
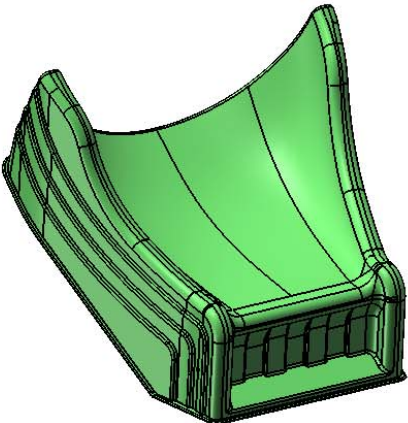
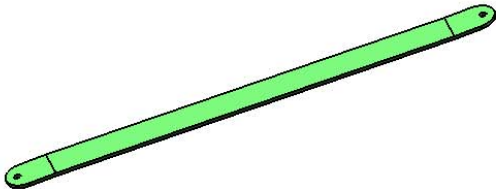
ENTRANCE  
SECTIONS  
(LEFT AND  
RIGHT SIDE)

1  
EA.



90° ELBOW  
SECTION

5

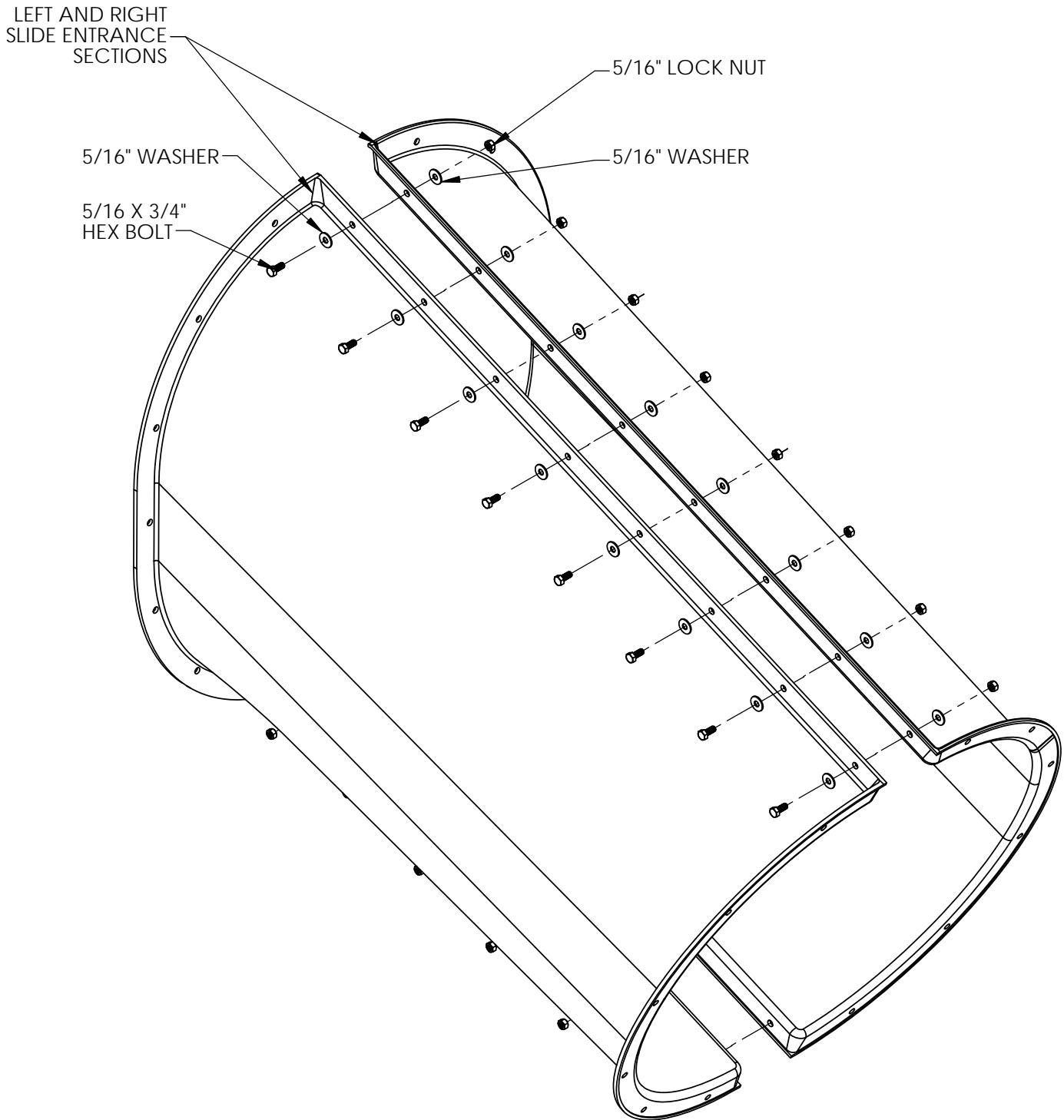
PICTURE	DESCRIPTION	QTY.
	<p>90° EXIT ELBOW SECTION</p>	<p>1</p>
	<p>FOOT STAND</p>	<p>1</p>
	<p>FOOTER SUPPORT</p>	<p>1</p>
	<p>FOOTER STRAP</p>	<p>2</p>

# STEP 1: ENTRANCE SECTIONS

1: LOCATE THE LEFT AND RIGHT ENTRANCE SECTIONS.

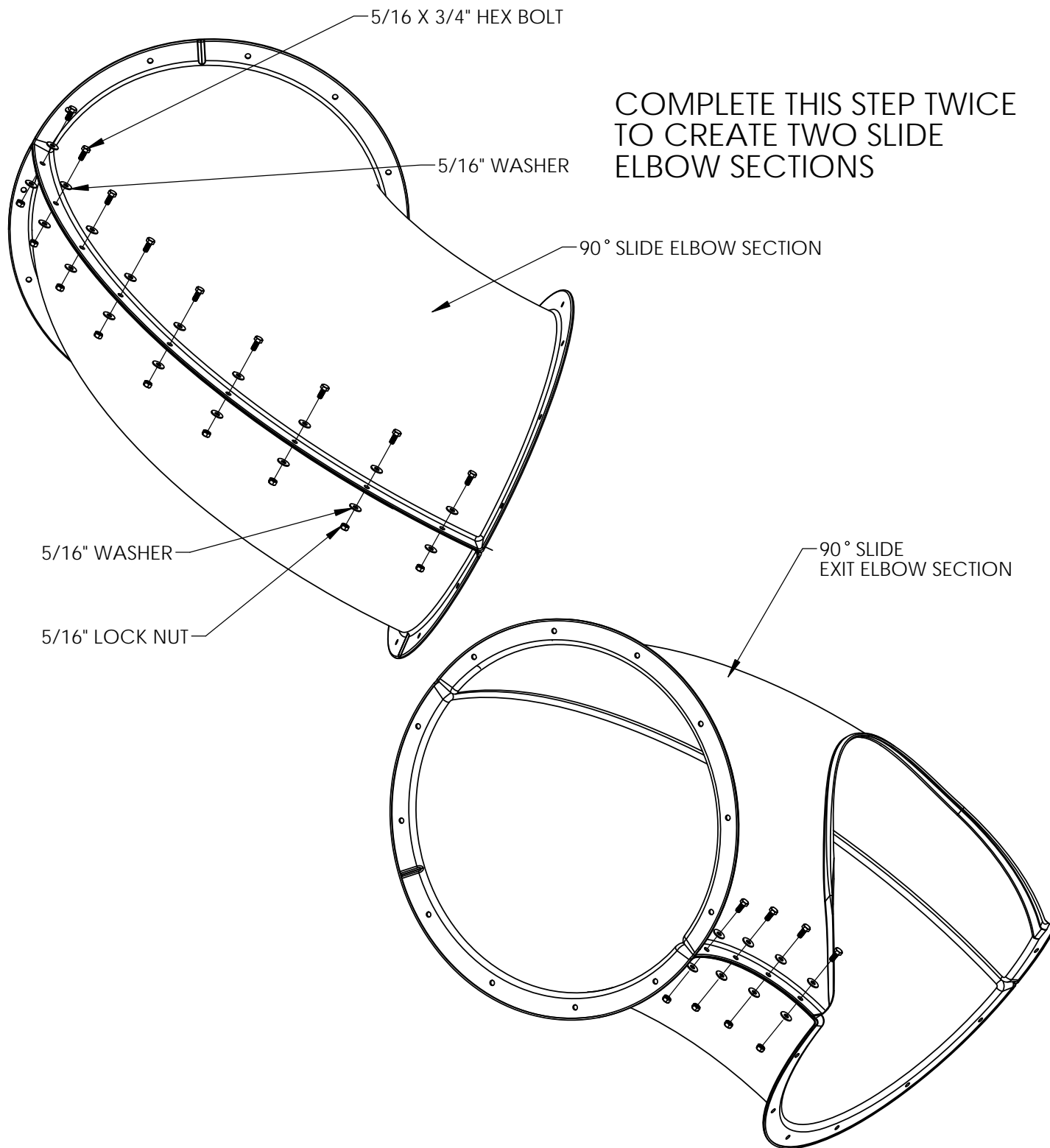
2: FASTEN THE LEFT AND RIGHT SECTIONS TOGETHER ALONG THE RIBS OF THE SLIDE SECTION WITH 5/16 X 3/4" HEX BOLTS, 5/16" WASHERS, AND 5/16" LOCK NUTS.

3: DO NOT FULLY TIGHTEN BOLTS UNTIL THE ENTIRE UNIT HAS BEEN FULLY ASSEMBLED. THIS WILL ALLOW FOR NECESSARY FLEX OF THE SLIDE BODY WHILE ASSEMBLING.



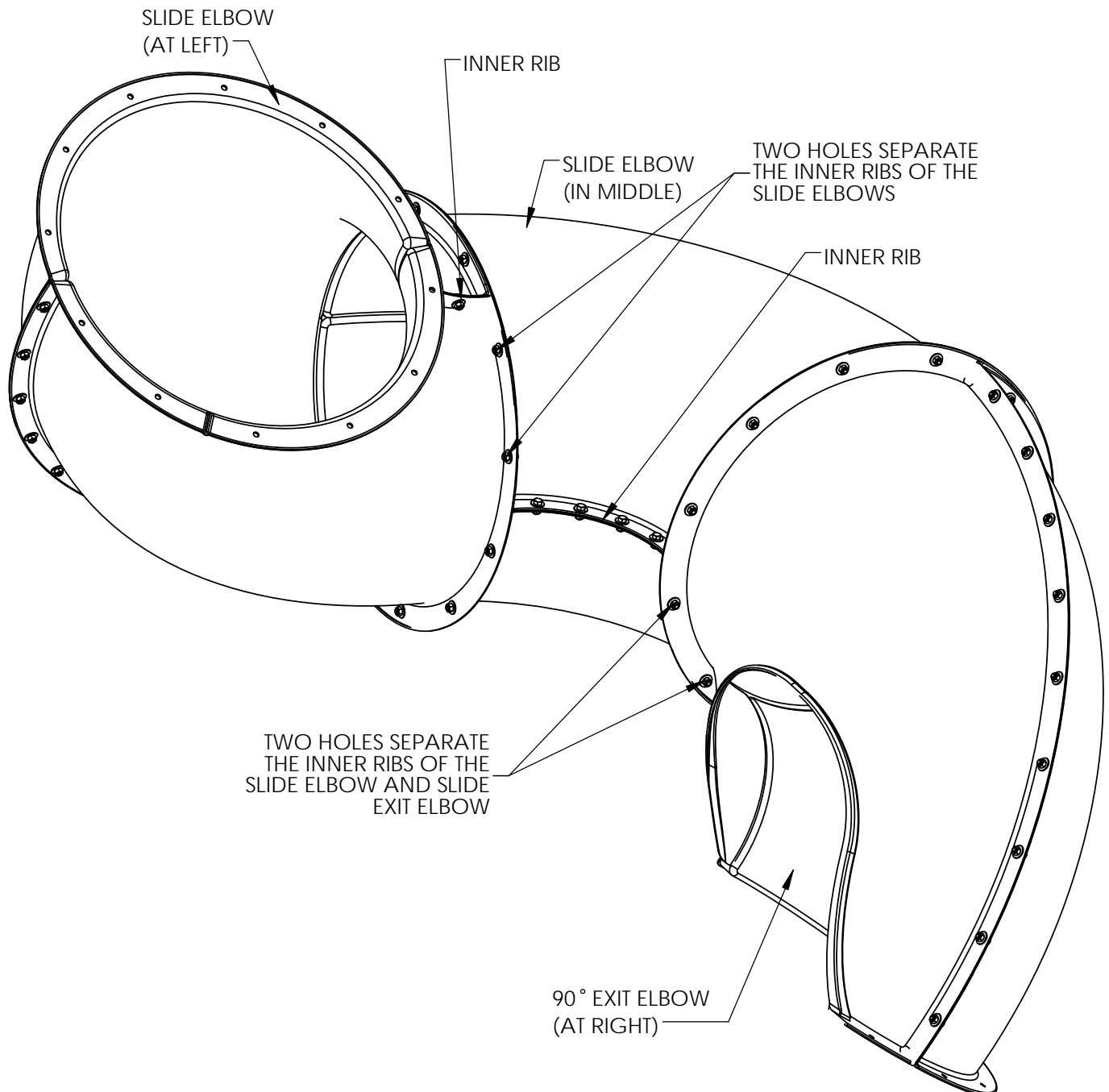
## STEP 2: ASSEMBLING THE SLIDE SECTIONS

- 1: LOCATE TWO 90° SLIDE SECTIONS. FASTEN THE TWO PIECES TOGETHER ALONG THE RIBS WITH 5/16 X 3/4" HEX BOLTS, 5/16" WASHERS, AND 5/16" LOCK NUTS. REPEAT THIS PROCESS TO MAKE TWO SLIDE ELBOW SECTIONS.
- 2: WITH THE REMAINING 90° SLIDE SECTION AND THE 90° EXIT SECTION, YOU WILL ASSEMBLE THE SLIDE EXIT. THE SLIDE EXIT IS ASSEMBLED THE SAME WAY THAT THE OTHER 90° SECTION WAS ASSEMBLED.
- 3: DO NOT FULLY TIGHTEN HARDWARE UNTIL ENTIRE SLIDE HAS BEEN ASSEMBLED.



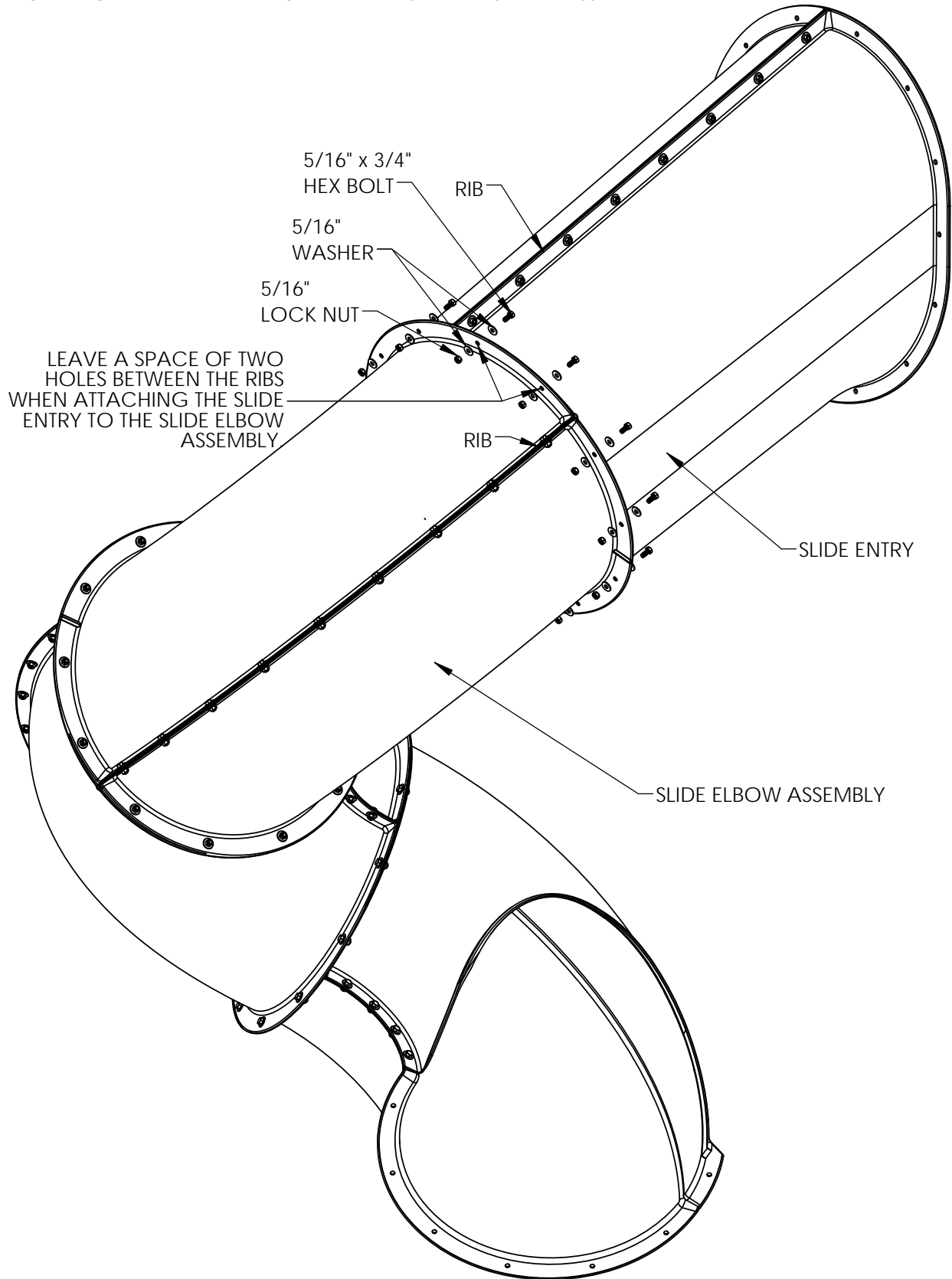
## STEP 3: ATTACHING SLIDE SECTIONS

- 1: THE BEST WAY TO PUT THE SLIDE SECTIONS TOGETHER IS TO USE THE MIDDLE SLIDE ELBOW AS A REFERENCE. PLACE ONE OF THE SLIDE ELBOW SECTIONS ON THE GROUND AND MAKE SURE THAT THE INNER RIB IS FACING TOWARDS YOU.
- 2: TAKE THE OTHER SLIDE ELBOW AND LAY IT BESIDE THE MIDDLE SLIDE ELBOW SECTION TO THE LEFT. LINE UP THE HOLES AND RIBS SO THAT THE TWO PIECES FORM A GIANT "U" SHAPE ON THE GROUND. NOW ROTATE THE SLIDE ELBOW ASSEMBLY ON THE LEFT UPWARDS UNTIL THERE IS A TWO HOLE GAP BETWEEN THE INNER RIBS OF THE SLIDE BODY SECTIONS. ATTACH THE SLIDE SECTIONS WITH 5/16 X 3/4" HEX BOLTS, 5/16" WASHERS, AND 5/16" LOCK NUTS.
- 3: USING THE SAME APPROACH THAT WAS USED IN SUBSTEP 1 ABOVE, PLACE THE SLIDE EXIT ELBOW NEXT TO THE MIDDLE SLIDE ELBOW TO THE RIGHT. THE INNER RIB OF THE SLIDE EXIT ELBOW WILL ROTATE DOWNWARD UNTIL THERE IS A TWO HOLE GAP BETWEEN THE INNER RIBS OF THE MIDDLE SLIDE ELBOW AND THE SLIDE EXIT ELBOW SECTION. ATTACH THE SLIDE ELBOWS WITH 5/16 X 3/4" HEX BOLTS, 5/16" WASHERS, AND 5/16" LOCK NUTS.
- 4: DO NOT FULLY TIGHTEN HARDWARE UNTIL ENTIRE SLIDE HAS BEEN ASSEMBLED.



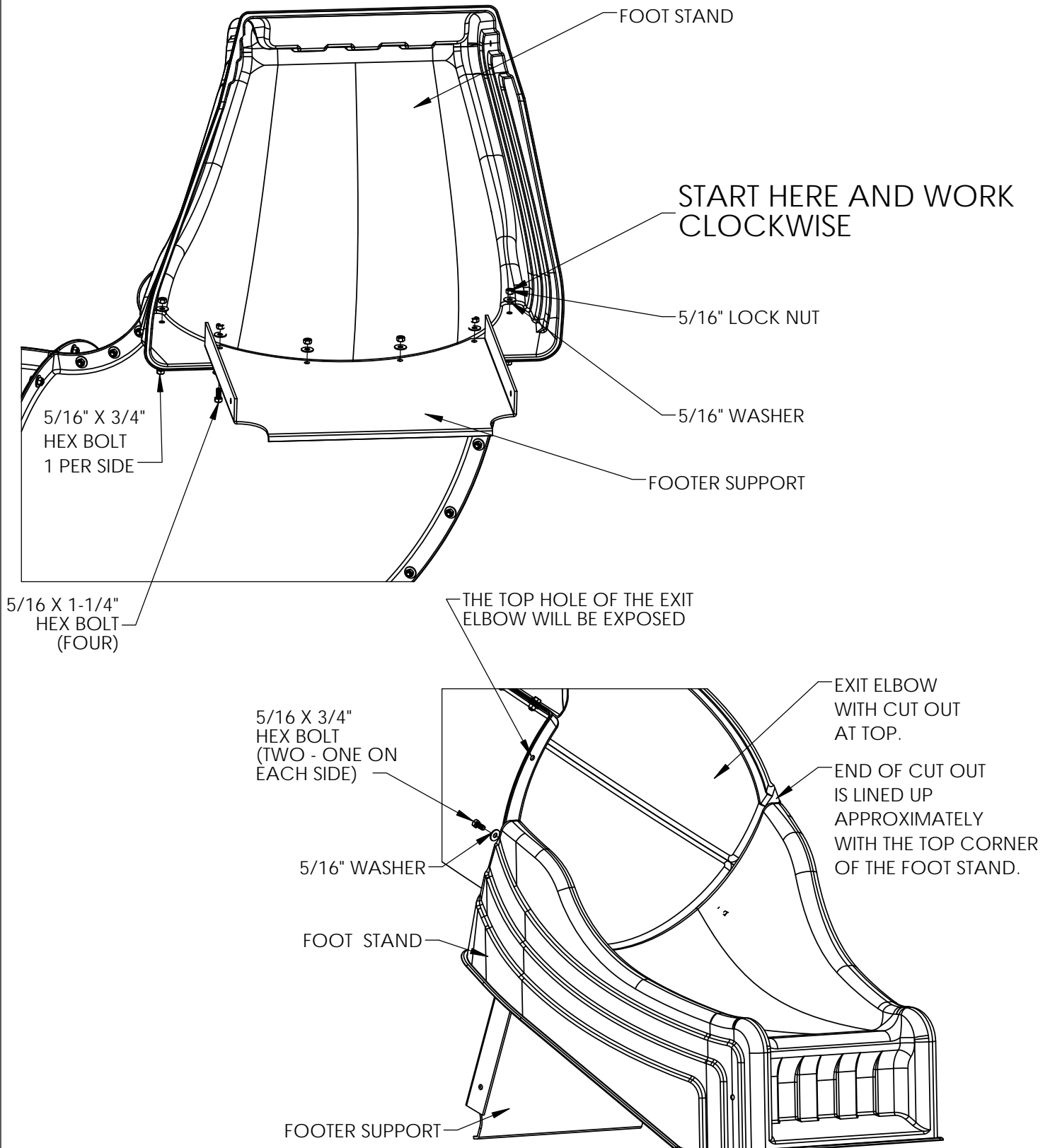
## STEP 4: ATTACHING THE SLIDE ENTRY

- 1: ATTACH THE SLIDE ENTRY ASSEMBLY WITH 5/16 X 3/4" HEX BOLTS, 5/16" WASHERS, AND 5/16" LOCK NUTS.
- 2: LEAVE A SPACE OF TWO HOLES BETWEEN THE RIBS WHEN ATTACHING THE SLIDE ENTRY TO THE SLIDE ELBOW ASSEMBLY.
- 3: DO NOT FULLY TIGHTEN HARDWARE UNTIL ENTIRE SLIDE HAS BEEN ASSEMBLED.



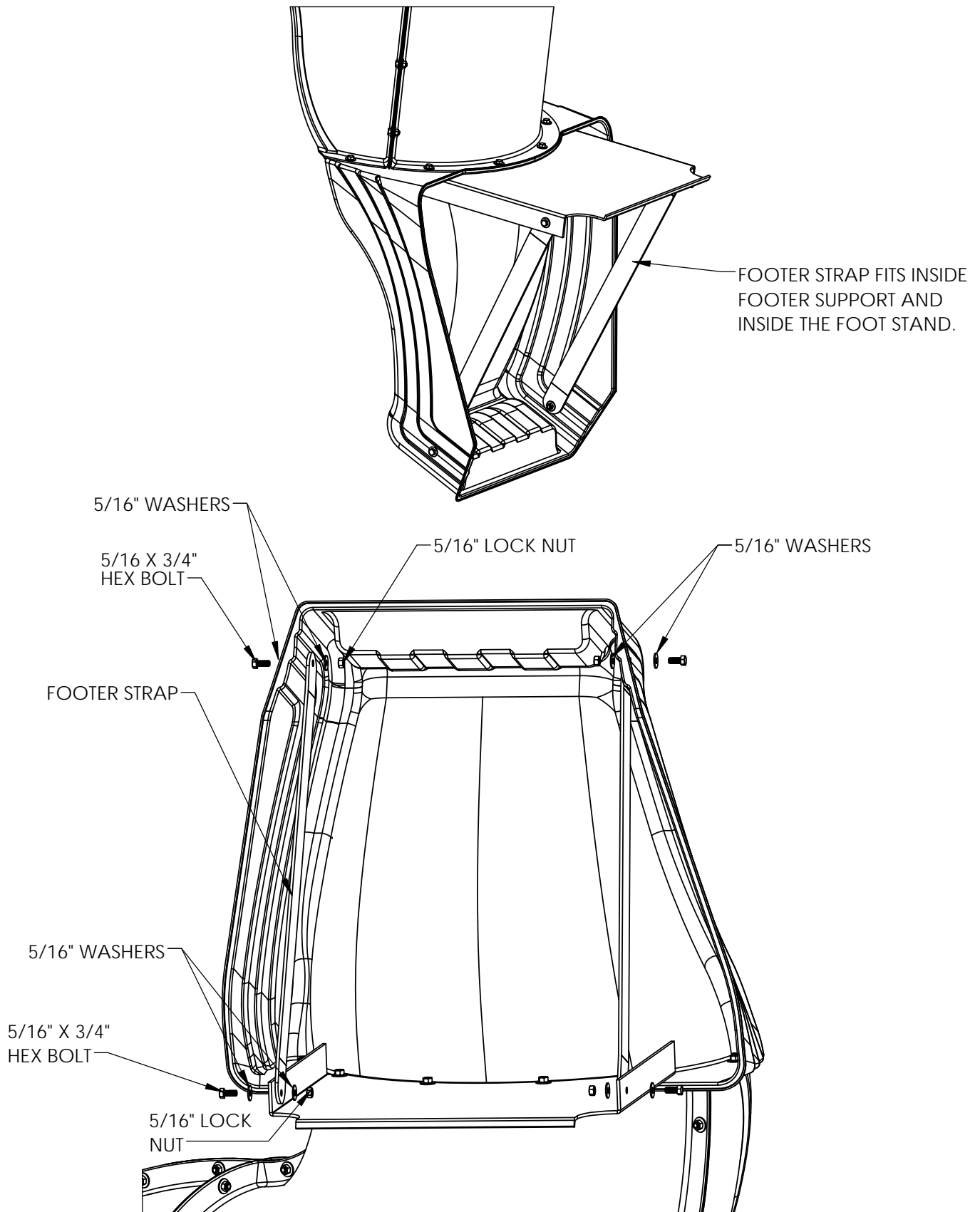
## STEP 5: ATTACHING THE FOOT STAND

- 1: PLACE THE FOOTER SUPPORT ON THE INSIDE OF THE FOOT STAND, NOT BETWEEN THE EXIT SECTION AND THE FOOT STAND.
- 2: ATTACH THE SLIDE EXIT SECTION TO THE FOOT STAND AND FOOTER SUPPORT WITH 5/16 X 3/4" HEX BOLTS, 5/16" WASHERS, AND 5/16" LOCK NUTS. THE MIDDLE FOUR BOLTS WILL BE 5/16 X 1-1/4" HEX BOLTS.
- 3: DO NOT FULLY TIGHTEN HARDWARE UNTIL ENTIRE SLIDE HAS BEEN ASSEMBLED.



## STEP 6: ATTACHING THE FOOTER STRAPS

- 1: PLACE ONE END OF THE FOOTER STRAP INSIDE THE SIDE OF THE FOOT STAND AND THE OTHER END INSIDE THE FOOTER SUPPORT.
- 2: ATTACH USING 5/16 X 3/4" HEX BOLTS, 5/16" WASHERS, AND 5/16" LOCK NUTS.
- 3: DO NOT FULLY TIGHTEN HARDWARE UNTIL ENTIRE SLIDE HAS BEEN ASSEMBLED.



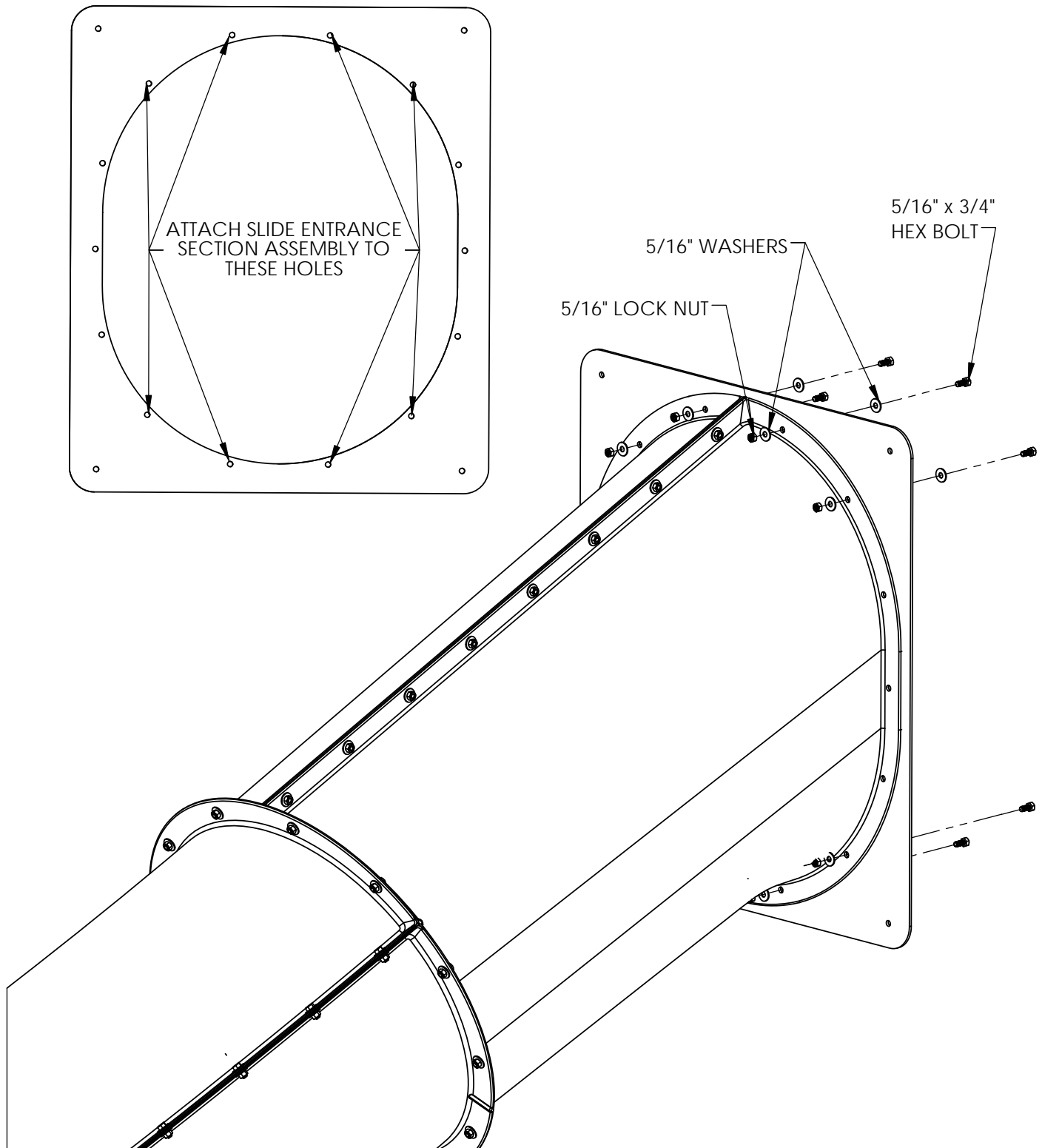


## STEP 7: SLIDE ENTRY PLATE

1: LOCATE THE SLIDE ENTRY PLATE.

2: ATTACH THE SLIDE ENTRY PLATE TO THE SLIDE ENTRANCE SECTION WITH EIGHT 5/16 X 3/4" HEX BOLTS, SIXTEEN 5/16" WASHERS, AND EIGHT 5/16" LOCK NUTS. SEE BELOW FOR ATTACHMENT LOCATIONS.

3: LIKE THE PREVIOUS STEP, DO NOT FULLY TIGHTEN THE HARDWARE UNTIL THE SLIDE IS FULLY ASSEMBLED AND ATTACHED TO THE FORT.



## STEP 8: ATTACHING THE SLIDE ENTRY

1: ATTACH THE SLIDE ENTRY ASSEMBLY TO THE CORNER POST AND LAG POST OF THE UPPER LEVEL WITH 5/16 X 3-1/2" LAG SCREWS AND 5/16" WASHERS IN THE REMAINING HOLES OF THE SLIDE ENTRY PLATE.

2: TIGHTEN ALL HARDWARE ON THE SLIDE.

