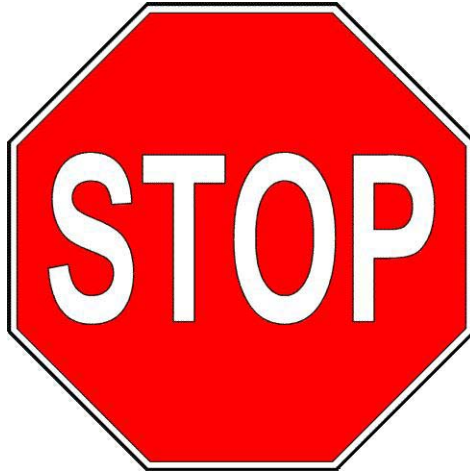


# Extreme Tube Slide II - 5ft.

**Part Number: 03-0020**

Revision D: 6.19.2018

**LA 9459**



Please inspect and inventory all parts immediately upon accepting delivery. Use the inventory pages in the manual to make sure you have received all necessary parts. The quickest method to get any parts that are missing or damaged is to contact the seller.

**PLEASE RETAIN ALL INSTRUCTIONS FOR FUTURE REFERENCE. KEEP THEM IN A SAFE PLACE WHERE YOU CAN REFER TO THEM AS NEEDED. CHECK FOR REVISED INSTRUCTIONS WITH THE SELLER SHOULD THE INSTRUCTIONS NOT MATCH THE SLIDE PROPERLY.**

## **IMPORTANT SAFETY GUIDELINES**

This product is recommended for use by children ages 3-11. This product is intended for residential use only and not intended for use in any public setting. A safety surface such as mulch or recycled tire should be used around the slide to prevent injury from falls. Also a 6 foot safety zone should be used around the entire slide.

As with any home project, good judgment and respect for power tools will greatly reduce the risk of injury. We recommend you follow all tool manufacturers' safety guidelines. Always wear eye protection and safety gloves to prevent injury. In several phases of construction two people may be required for lifting and securing of parts. While the slide is being constructed/attached, please keep children off the equipment until the project is complete. Bolts and screw heads should be checked regularly for tightness.

The seller and/or manufacturer shall not be liable for incidental, indirect or consequential damages or injuries that result from the building and/or playing on this slide. Adult supervision is recommended anytime the slide is being used.

### **WEIGHT LIMIT: 150 LBS.**

We recommend that the weight limit must not be exceeded. Failure to adhere to these and other safety guidelines could result in damage to the slide and injury to the users.

## Safety and Maintenance Tips:

**NOTE: Your children's safety is our #1 concern. Observing the following statements and warnings reduces the likelihood of serious or fatal injury. Please review these safety rules regularly with your children.**

- On-site adult supervision is required.
- Teach children not to walk close to, in front of, or behind slide.
- Teach children not to jump from swings or other playground equipment in motion.
- Teach children not to use the equipment in a manner other than intended.
- Teach children to always go down slides feet first. Never slide headfirst.
- Teach children to look before they slide to make sure no one is at the bottom.
- Teach children to never run up a slide, as this increases their chances of falling.
- The parents should have the children dress appropriately with well-fitting shoes. Loose clothing such as scarves and ponchos should not be worn. Always take off, tie up or tuck in cords and drawstrings on children's clothing. These things can get caught on playground equipment and strangle a child.
- Teach children not to climb when the equipment is wet.
- Teach children not to attach items to the playground equipment that are not specifically designed for use with the equipment, such as, but not limited to, jump ropes, clothesline, pet leashes, cables and chain as they may cause a strangulation hazard.
- Do not throw items down the slide.
- Do not slide while carrying items.
- Do not climb on outside of slide.

**WARNING: Children must NOT use this slide until it has been completely assembled and inspected by an adult to insure it has been properly installed.**

Playgrounds should be inspected on a regular basis. If any of the following conditions are noted, they should be removed, corrected, or repaired immediately to prevent injuries.

- Hardware that is loose, worn or that has protrusions or projections.
- Exposed equipment footings.
- Scattered debris, litter, rocks, or tree roots.
- Splinters, large cracks, and decayed wood components.
- Deterioration and corrosion on structural components, which connect to the ground
- Missing or damaged equipment components, such as handholds, guardrails, swing seats.
- Check all nuts and bolts frequently during the usage season and tighten as required. (But not so tight that you crack the wood) It is particularly important that this procedure be followed at the beginning of each season.
- Check all coverings for bolts and sharp edges twice monthly during usage season to be certain they are in place. Replace when necessary. It is especially important to do this at the beginning of each new season.
- Rake the playground surface periodically to prevent compaction and maintain appropriate depths.
- Disposal Instructions: When the slide is no longer desired, it should be disassembled and disposed of in such away that no unreasonable hazards will exist at the time the unit is discarded.

# Play Set Surfacing Recommendations:

Below are some of the recommendations that the U.S. Consumer Product Safety Commission (CPSC) offers from its Handbook for Public Playground Safety. The guide can be downloaded in full at <https://www.cpsc.gov/s3fs-public/325.pdf>

**1. Protective Surfacing** - Since almost 60% of all injuries are caused by falls to the ground, protective surfacing under and around all playground equipment is the most critical safety factor on playgrounds.

Certain manufactured synthetic surfaces also are acceptable; however, test data on shock absorbing performance should be requested from the manufacturer.

Asphalt and concrete are unacceptable. They do not have any shock absorbing properties. Similarly, grass and turf should not be used. Their ability to absorb shock during a fall can be reduced considerably through wear and environmental conditions.

Certain loose-fill surfacing materials are acceptable. Surfacing materials are acceptable, such as the types and depths shown in the table.

## Fall Heights and Materials

Type Of Material	6 in. depth	9 in. depth	12 in. depth
Double-Shredded bark mulch	6' Fall Height	10' Fall Height	11' Fall Height
Wood Chips	6' Fall Height	7' Fall Height	12' Fall Height
Fine Sand	5' Fall Height	5' Fall Height	9' Fall Height
Shredded Tires*	10-12' Fall Height	N/A	N/A
Fine Gravel	6' Fall Height	7' Fall Height	10' Fall Height

\*This data is from tests conducted by independent testing laboratories on a 6-inch depth of uncompressed shredded tire samples produced by four manufacturers. The tests reported critical heights, which varied from 10 feet to greater than 12 feet. It is recommended that persons seeking to install shredded tires as a protective surface request test data from the supplier showing the critical height of the material when it was tested in accordance with ASTM F1292.

*It should be recognized that all injuries due to falls cannot be prevented no matter what surfacing material is used.*

**2. Fall Zones** - A fall zone, covered with a protective surfacing material, is essential under and around equipment where a child might fall. This area should be free of other equipment and obstacles onto which a child might fall. Stationary climbing equipment and slides should have a fall zone extending a Minimum of 6' in all directions from the perimeter of the equipment.

# General Info to Review Before Installation

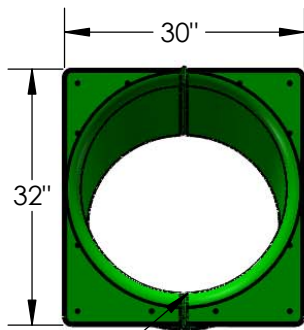
- Depending on your experience, assembly of the slide can take as little as 1-1/2 hours up to 2 hours, after inventory of parts; therefore, we recommend you set aside at least 2 hours for assembly.
- Identify all of the parts for your slide. Empty the box and lay out the parts so you can see them. Your instruction book will have detailed drawings that will make it easy for you to recognize individual parts.
- After everything is laid out, check carefully to ensure all parts are present. Make sure there are no broken pieces.
- Find an area to sort your hardware. It is best to open the hardware on a solid surface so that you do not lose any pieces in the grass. This will save time and familiarize you with all the different pieces in the hardware bag.
- After familiarizing yourself with all of the components, read all instructions thoroughly. Reading instructions after you have studied the parts will help you understand the installation process, and help to eliminate unnecessary mistakes.
- Pay close attention to the diameter and length of each bolt and screw.
- Never tighten hardware completely at first. It helps to have some adjustment for bolt alignment while you are attaching parts together. After everything is square, tighten each joint.
- After you complete installation, make sure every bolt, screw, and nut is tight, and the slide is secured to the play set.
- Wood will expand and contract with the seasons. Check all bolt connections seasonally.
- Place the slide on level ground, not less than 6 feet from any structure or obstruction such as a fence, garage, house, overhanging branches, laundry lines, or electrical wires.

## **REQUIRED TOOL LIST:**

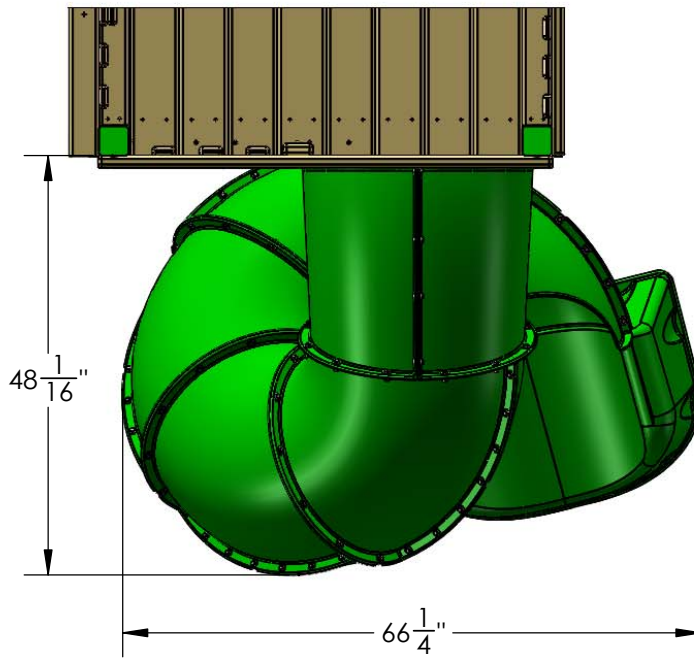
- \_\_\_ Standard or Cordless Drill
- \_\_\_ Drill Bit, 3/32" to predrill holes for lag screws.
- \_\_\_ 1/2" Wrench and Socket
- \_\_\_ 1/2" Deep Well Socket
- \_\_\_ 7/16" Deep Well Socket
- \_\_\_ 7/16" Wrench and Socket
- \_\_\_ Tape Measure
- \_\_\_ Extension Cord (if using standard drill or electric saw)
- \_\_\_ Pencil
- \_\_\_ Shovel
- \_\_\_ Saw (Hand Saw or Circular Saw)

# Tube Slide Dimensions

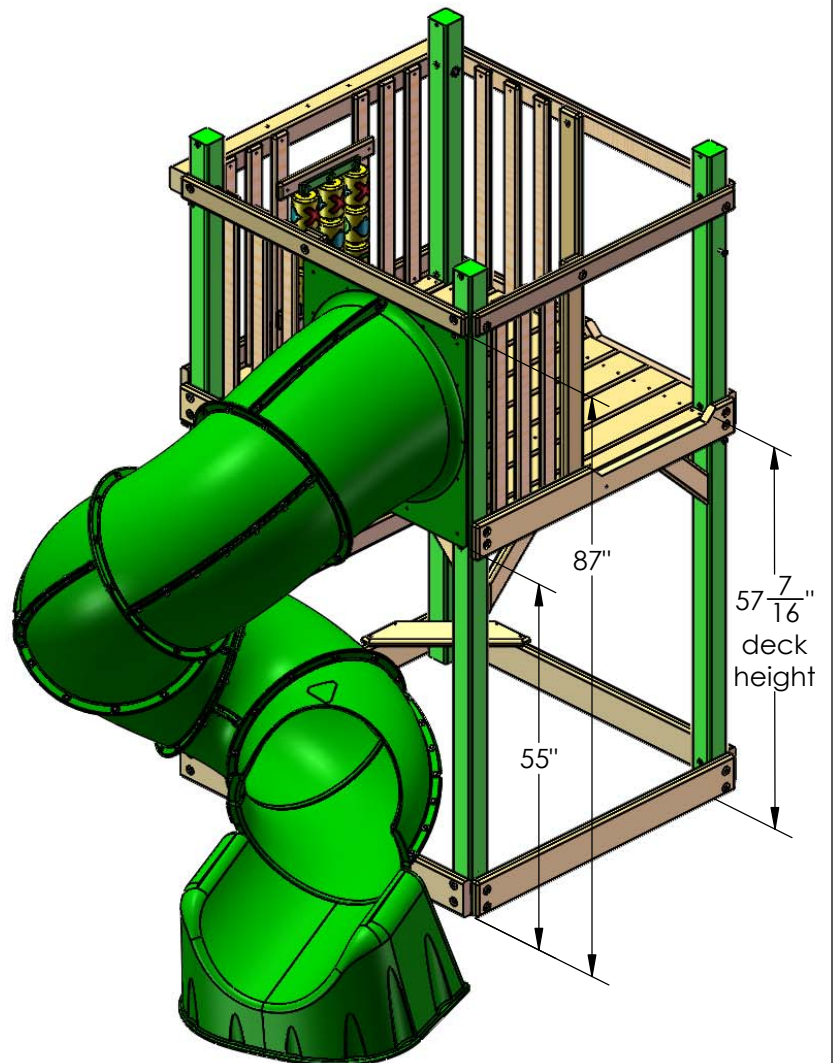
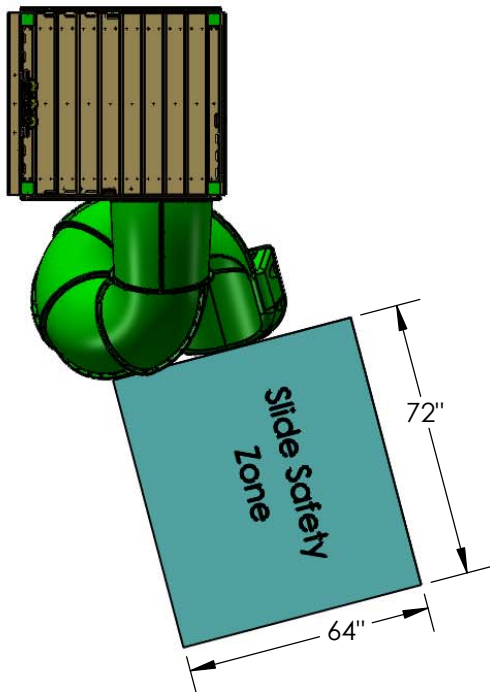
Entry Dimensions  
(Inside View)



This point will be 1-1/2" to 2" above a 57-7/16" high deck upon installation if you use the 87" dimension below.



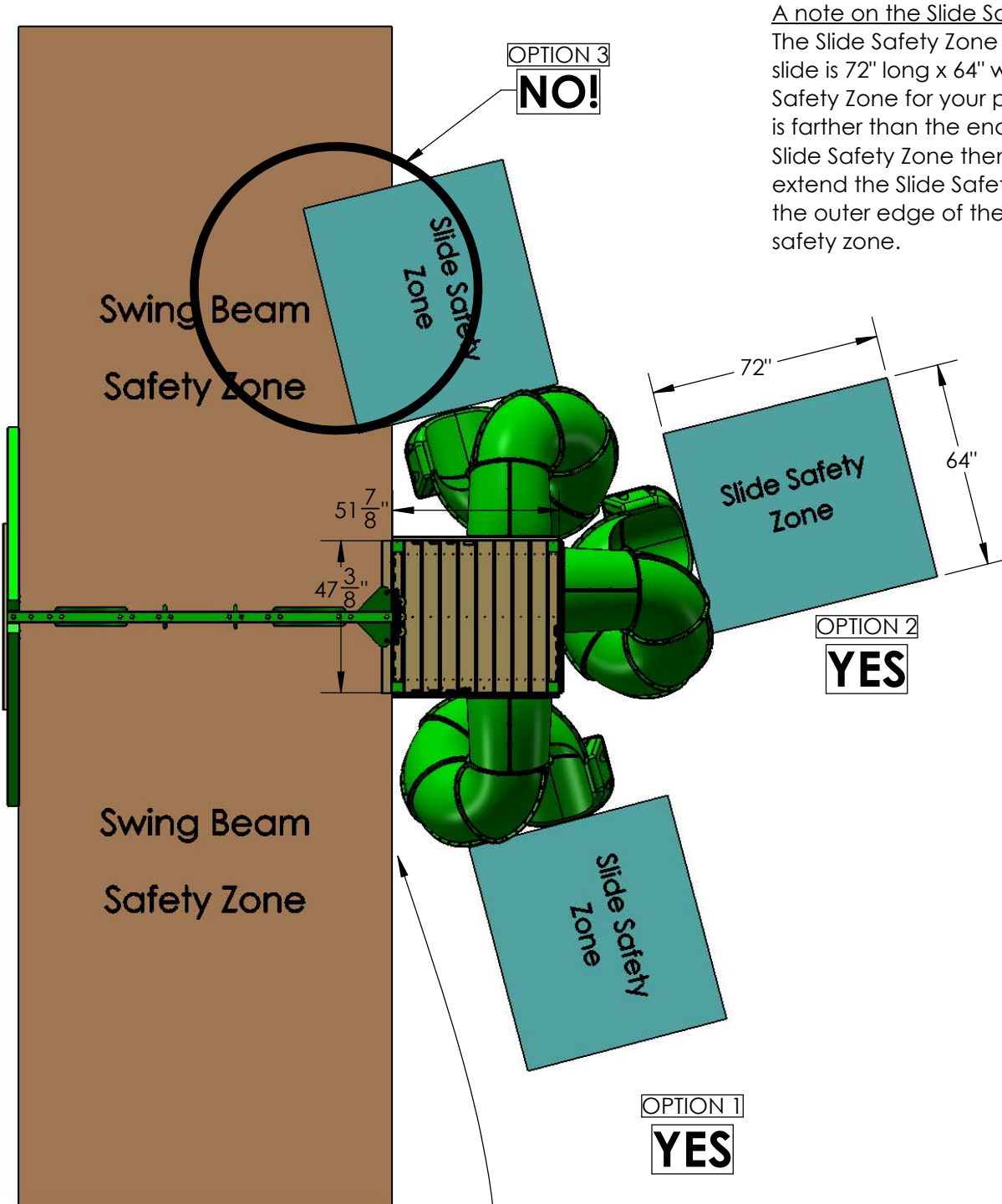
A note on the Slide Safety Zone:  
The Slide Safety Zone for this slide is 72" long x 64" wide. If the Safety Zone for your playset is farther than the end of the Slide Safety Zone then you must extend the Slide Safety Zone to the outer edge of the playset safety zone.



# Tube Slide Placement for Custom Applications

Below is a picture of a generic tower showing placement of the tube slide on all three available sides. You may not overlap safety zones. That is why Option 3 says "NO" beside it.

If you purchased a playset and are using these directions to construct your slide then these are NOT instructions to change the location of your slide on the playset. Follow the placement directions for your playset to attach it to the playset.



A note on the Slide Safety Zone:  
The Slide Safety Zone for this slide is 72" long x 64" wide. If the Safety Zone for your playset is farther than the end of the Slide Safety Zone then you must extend the Slide Safety Zone to the outer edge of the playset safety zone.

If you are installing the slide onto a custom playset then the deck width could be narrower than 51-7/8". In that case the tube slide would protrude into the swing beam safety zone. That is not acceptable.

**NOTE:**  
This diagram is based upon a 51-7/8" x 47-3/8" deck.



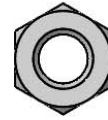
1/4" x 2"  
LAG SCREW  
QTY: 18



5/16" x 1"  
HEX BOLT  
QTY: 8



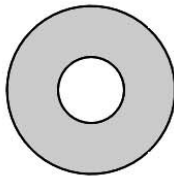
5/16" x 7/8"  
HEX BOLT  
QTY: 125



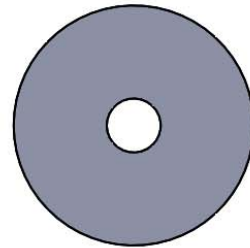
5/16" LOCK NUT  
QTY: 130



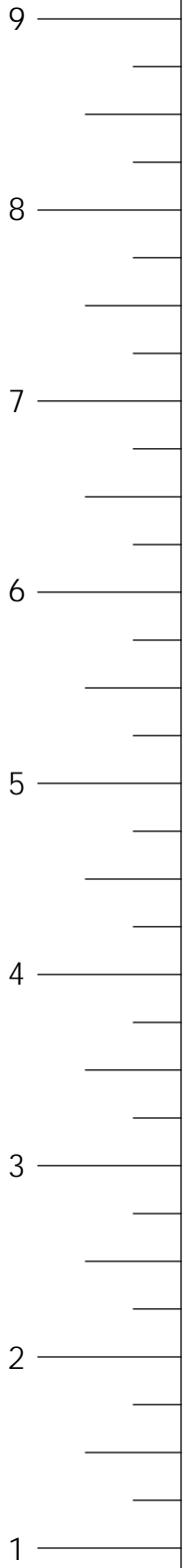
#8 x 2-1/2"  
WOOD SCREW  
QTY: 50



5/16" WASHER  
QTY: 270

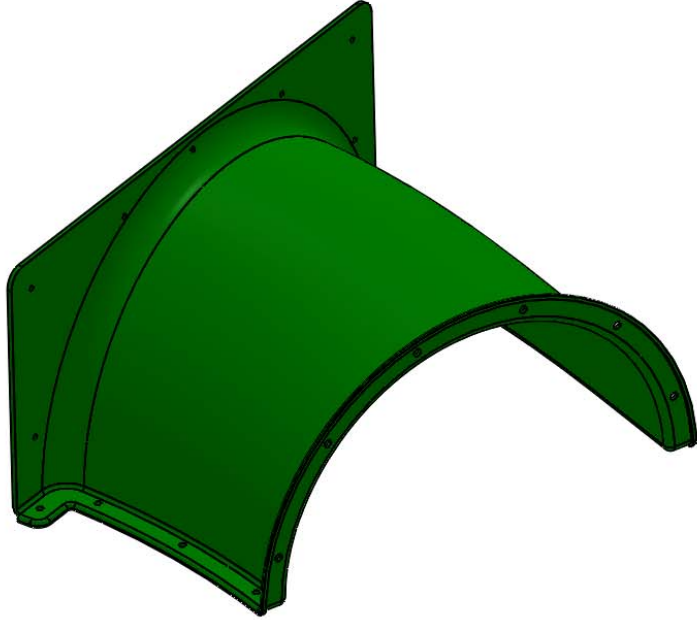
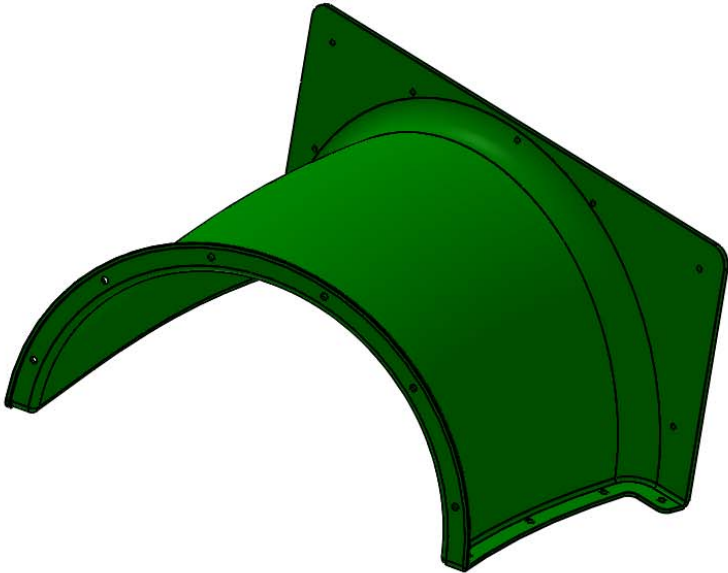
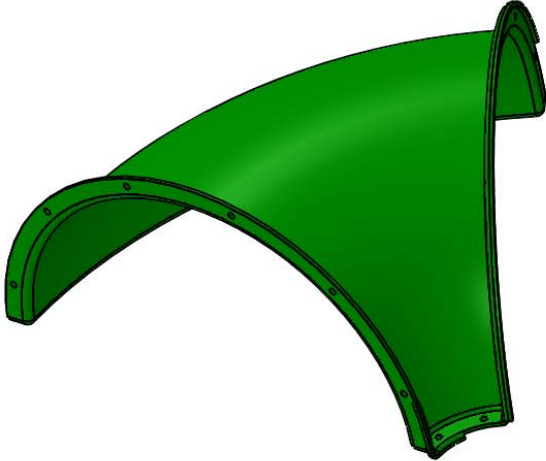


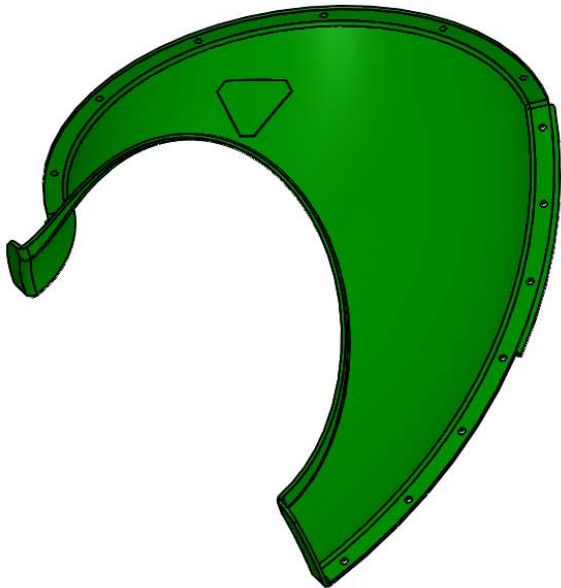
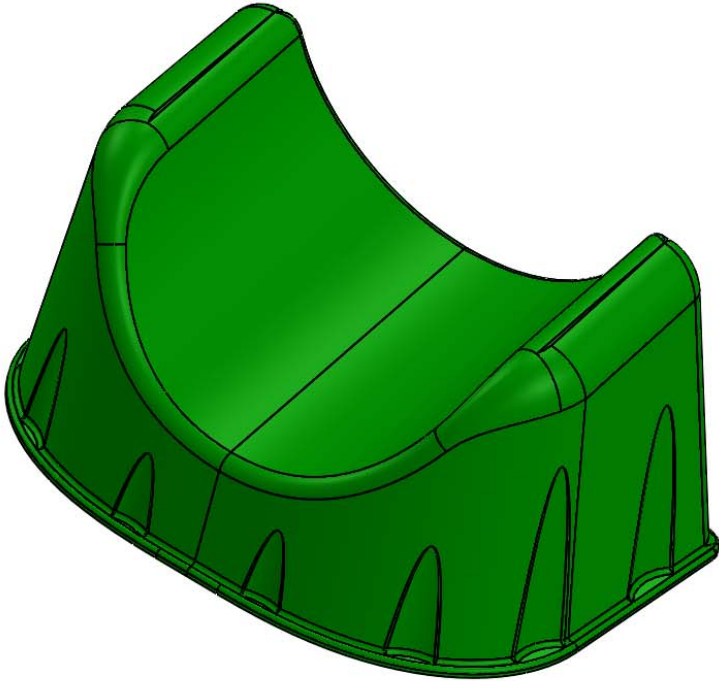
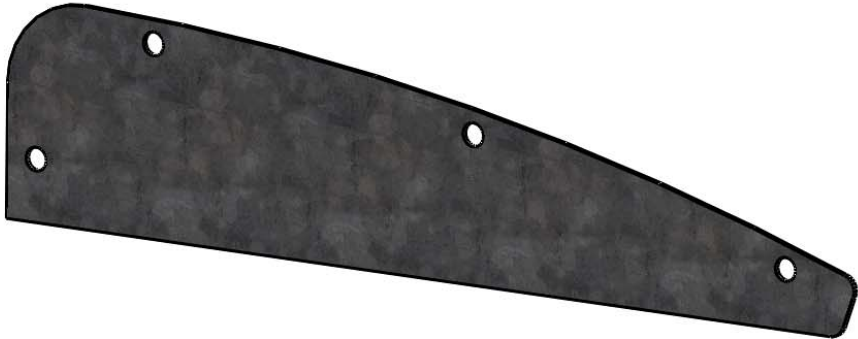
1/4" X 1-1/4"  
FENDER WASHER  
QTY: 18



USE THE RULER TO THE RIGHT TO MEASURE YOUR BOLTS AND SCREWS. PICTURE VIEWS SHOWN ABOVE ARE 1:1 SCALE AND CAN BE USED TO MATCH BOLT AND SCREW SIZES.



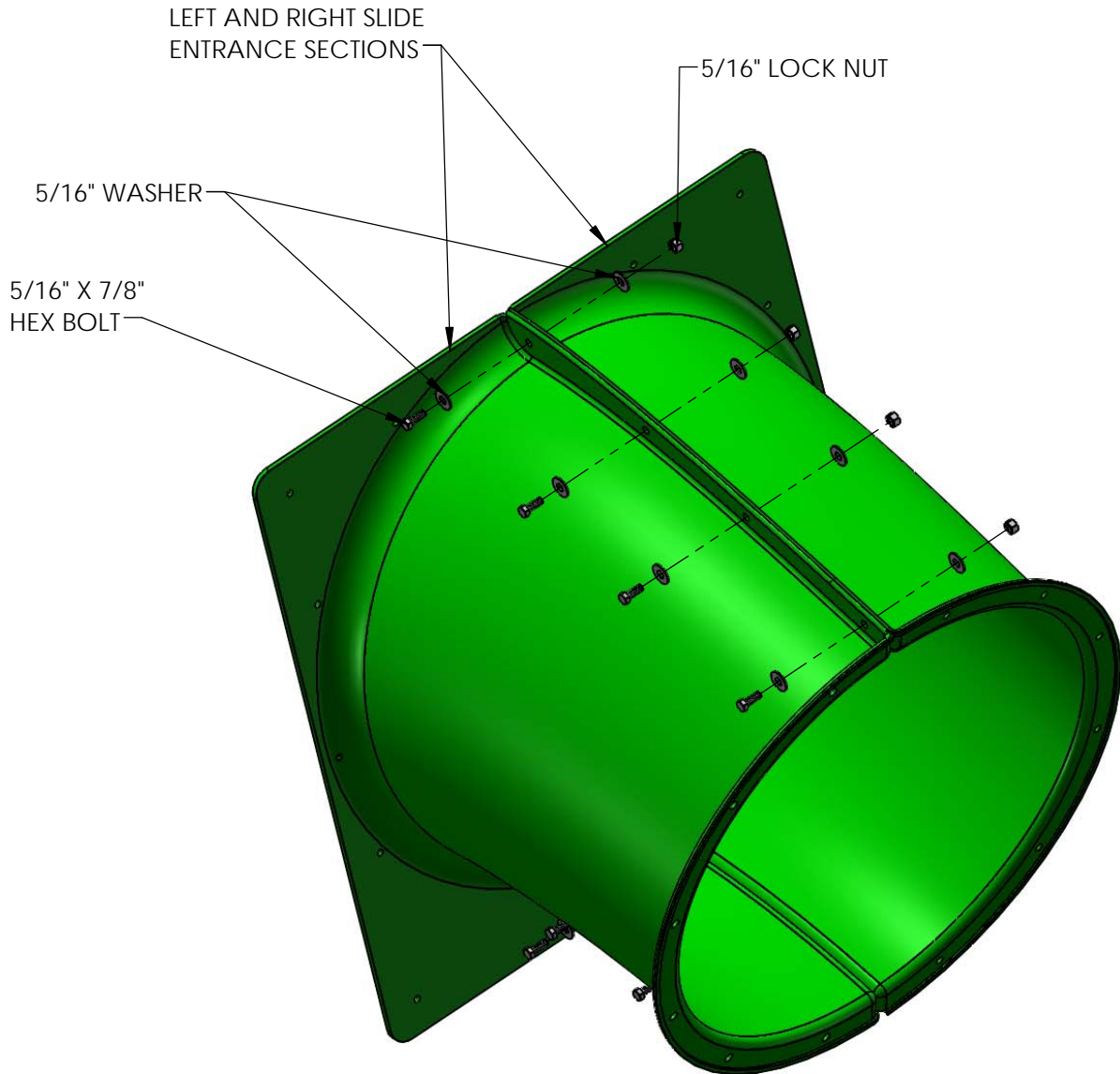
PICTURE	DESCRIPTION	QTY.
	<p>ENTRY SECTION LEFT</p>	<p><b>1</b></p>
	<p>ENTRY SECTION RIGHT</p>	<p><b>1</b></p>
	<p>ELBOW SECTION 60° BEND</p>	<p><b>9</b></p>

PICTURE	DESCRIPTION	QTY.
	<p>EXIT SECTION 60° BEND</p>	<p><b>1</b></p>
	<p>FOOT</p>	<p><b>1</b></p>
	<p>REINFORCEMENT PLATE</p>	<p><b>1</b></p>

# STEP 1: THE LEFT AND RIGHT ENTRANCE SECTION

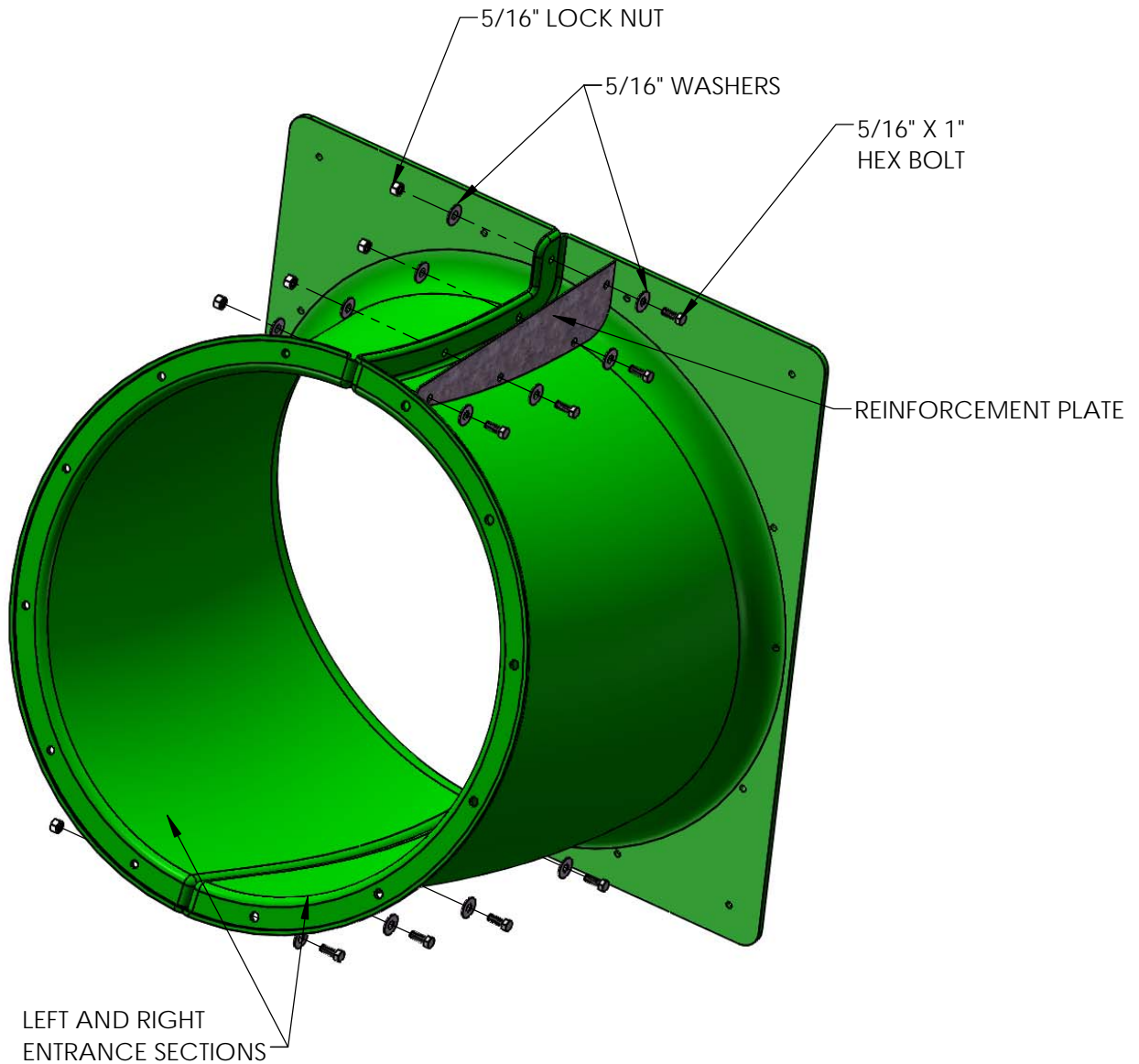
1. LOCATE THE LEFT AND RIGHT ENTRANCE SECTIONS.

2. FASTEN THE LEFT AND RIGHT SECTIONS TOGETHER ALONG THE TOP RIB WITH 5/16" X 7/8" HEX BOLTS, 5/16" WASHERS AND 5/16" LOCK NUTS.



## STEP 2: REINFORCEMENT PLATE

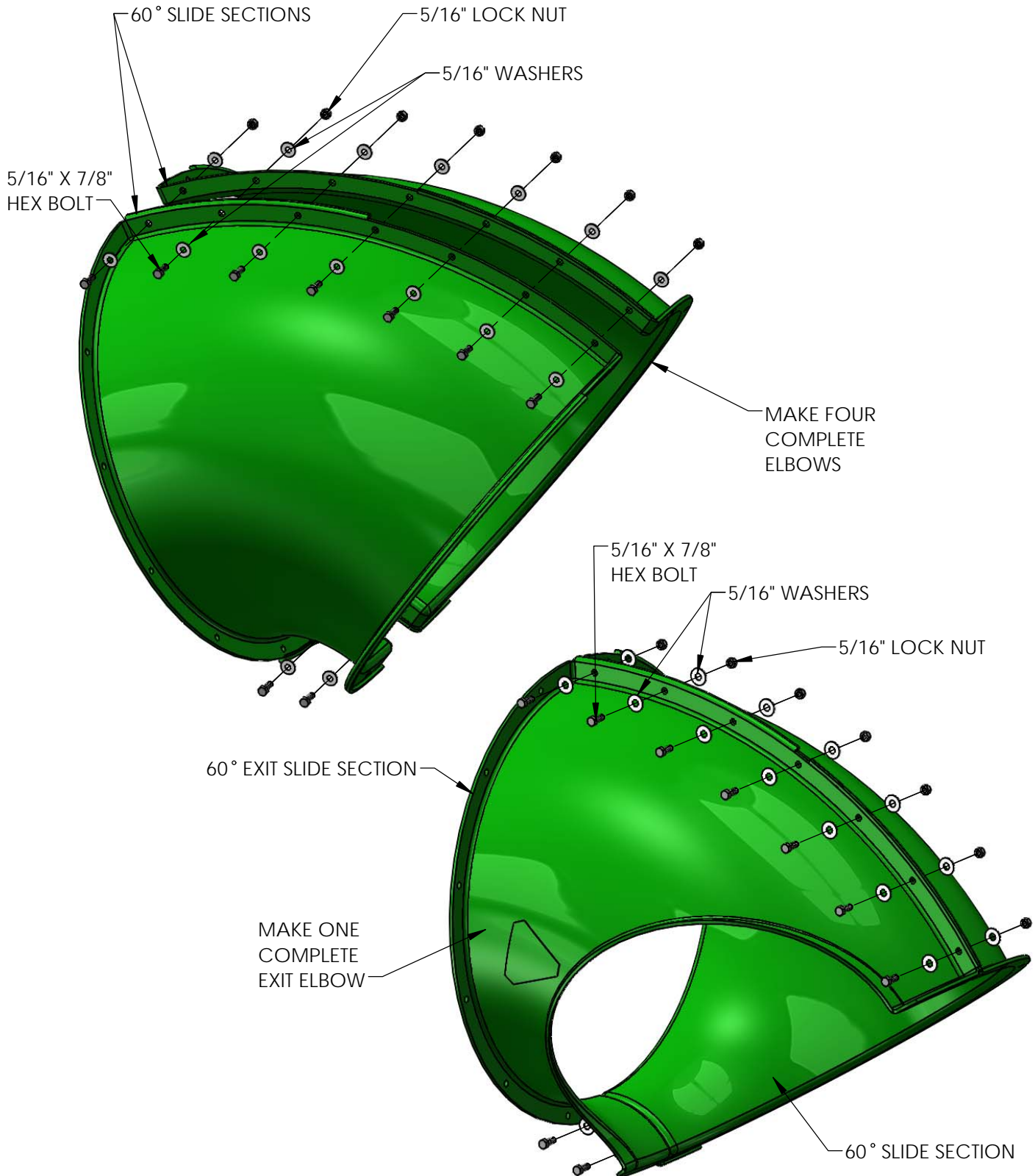
1. FASTEN THE REINFORCEMENT PLATE UNDERNEATH THE ENTRANCE SECTIONS WITH 5/16" X 1" HEX BOLTS, 5/16" WASHERS AND 5/16" LOCK NUTS.



## STEP 3: ASSEMBLING THE SLIDE SECTIONS

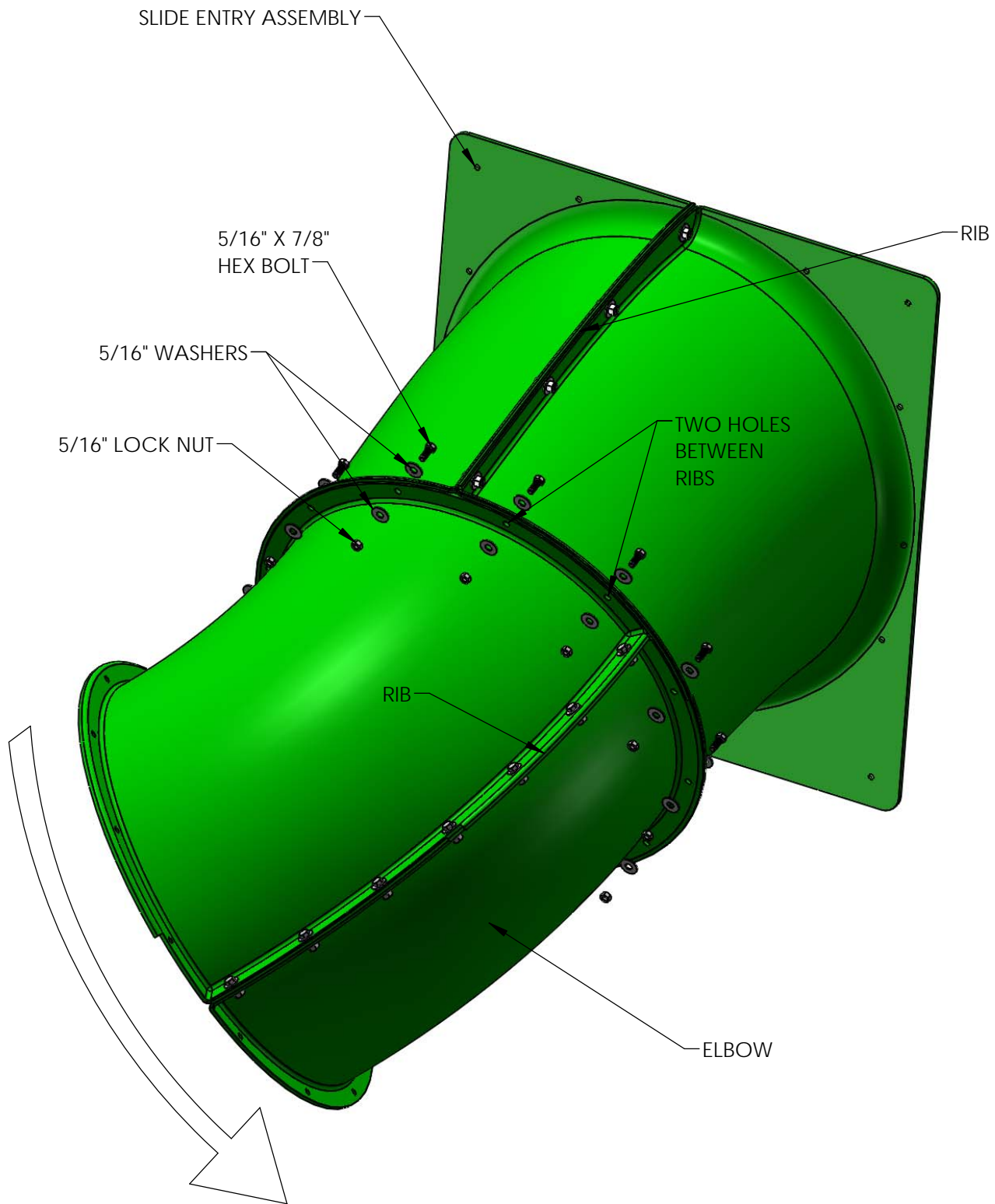
1. LOCATE TWO 60° SLIDE SECTIONS. FASTEN THE TWO PIECES TOGETHER ALONG THE RIBS WITH 5/16" X 7/8" HEX BOLTS, 5/16" WASHERS AND 5/16" LOCK NUTS. REPEAT THREE MORE TIMES.

2. LOCATE THE REMAINING 60° SLIDE SECTION AND THE 60° EXIT SECTION. YOU WILL ASSEMBLE THE SLIDE EXIT. THE SLIDE EXIT IS ASSEMBLED THE SAME WAY THAT THE OTHER 60° SECTION WAS ASSEMBLED.



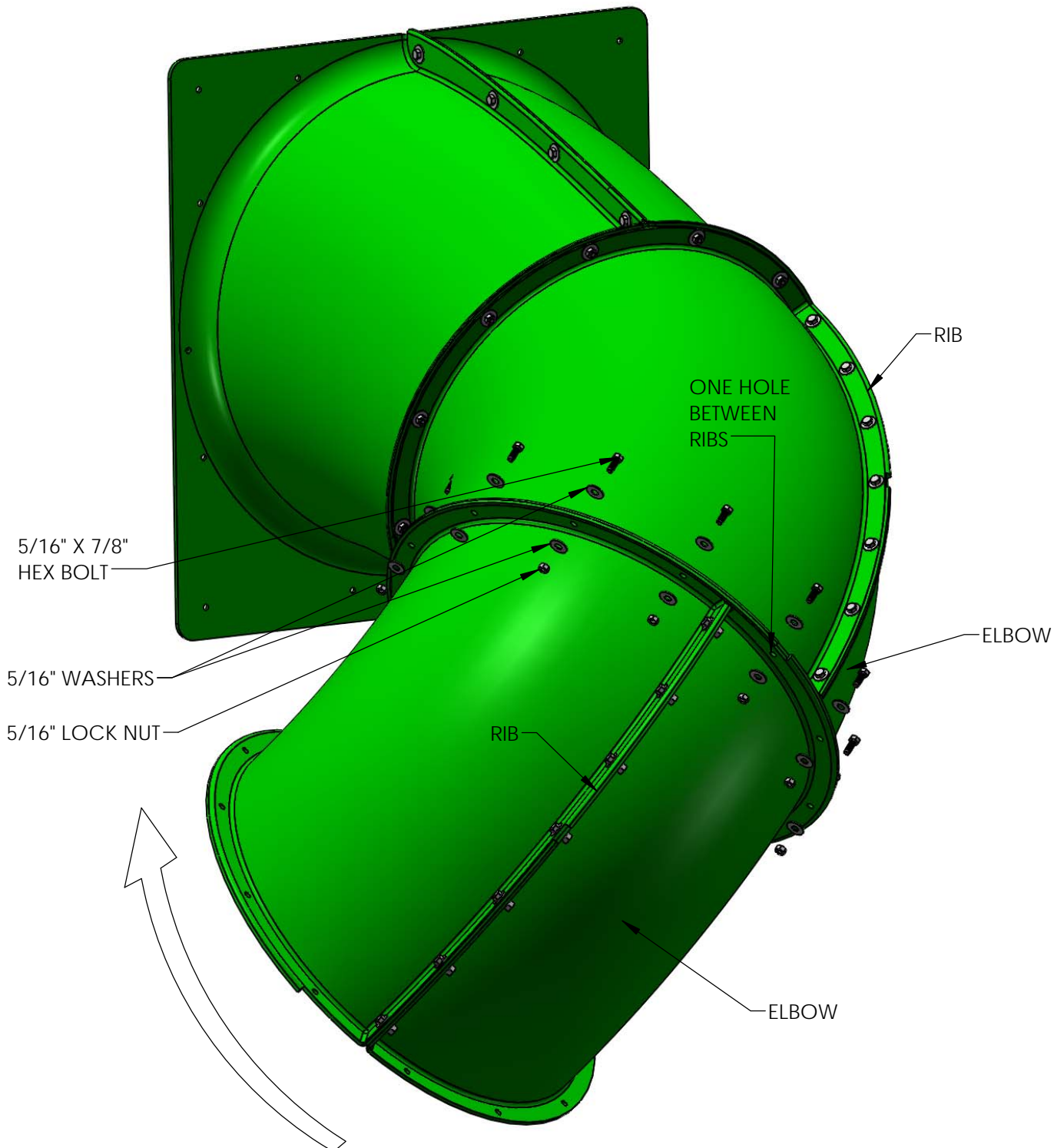
## STEP 4: ATTACH ELBOW TO THE SLIDE ENTRY ASSEMBLY

1. ATTACH AN ELBOW TO THE SLIDE ENTRY ASSEMBLY WITH 5/16" X 7/8" HEX BOLTS, 5/16" WASHERS AND 5/16" LOCK NUTS. MAKE SURE TO ROTATE THE ELBOW TWO HOLES DOWN AS SHOWN BELOW.



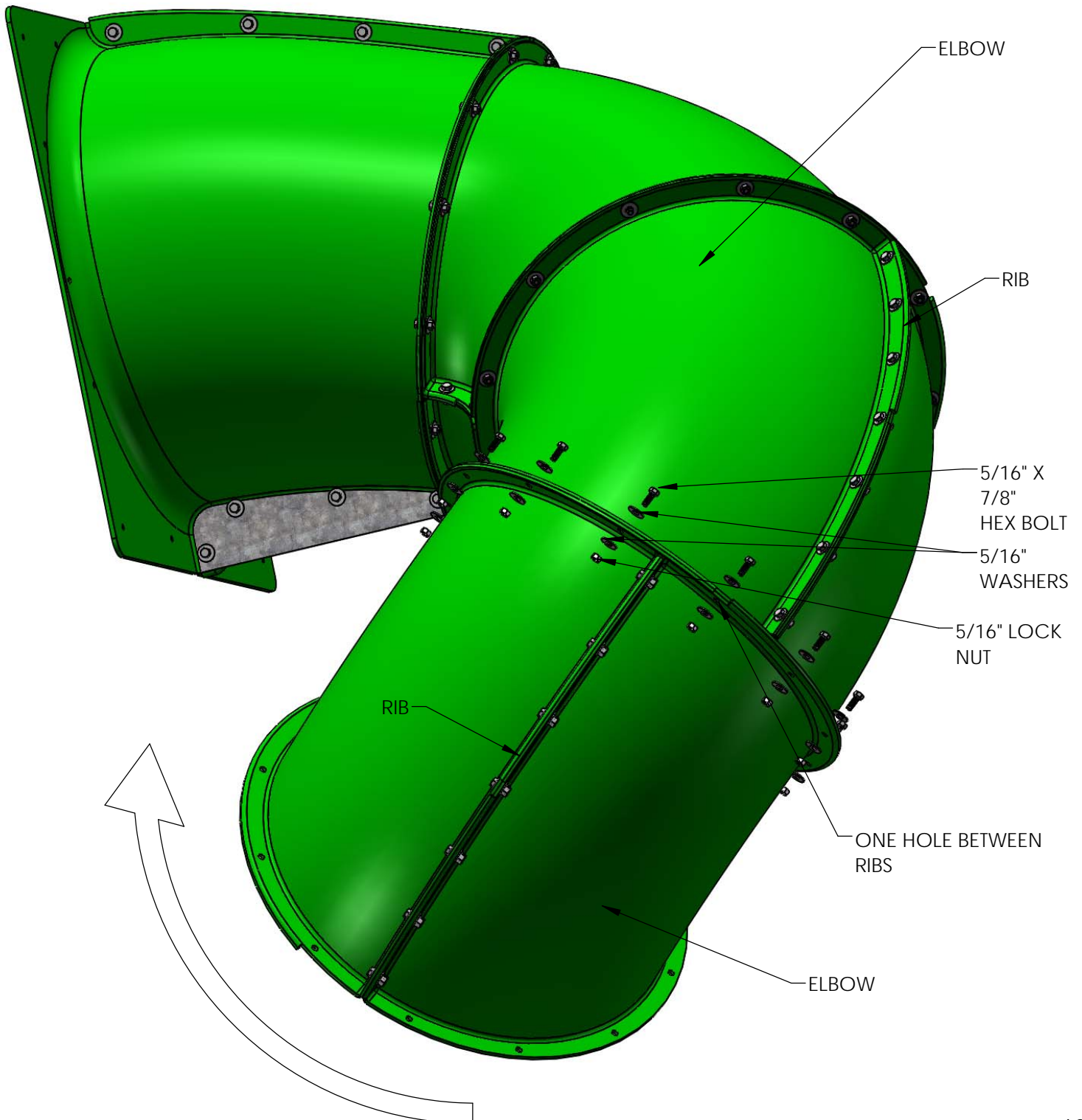
## STEP 5: ATTACHING SECOND ELBOW

1. TAKE ONE ELBOW THAT WAS ASSEMBLED IN STEP 3 AND LINE IT UP BY ROTATING THE ELBOW ONE HOLE UP BETWEEN RIBS AS SHOWN BELOW.
2. ATTACH THE ELBOW WITH 5/16" X 7/8" HEX BOLTS, 5/16" WASHERS AND 5/16" LOCK NUTS. PARTIALLY ENGAGE THE END OF THE BOLTS WITH THE PLASTIC RING INSIDE THE LOCK NUTS. LEAVE THE BOLTS LOOSE FOR NOW.



## STEP 6: ATTACHING THIRD ELBOW

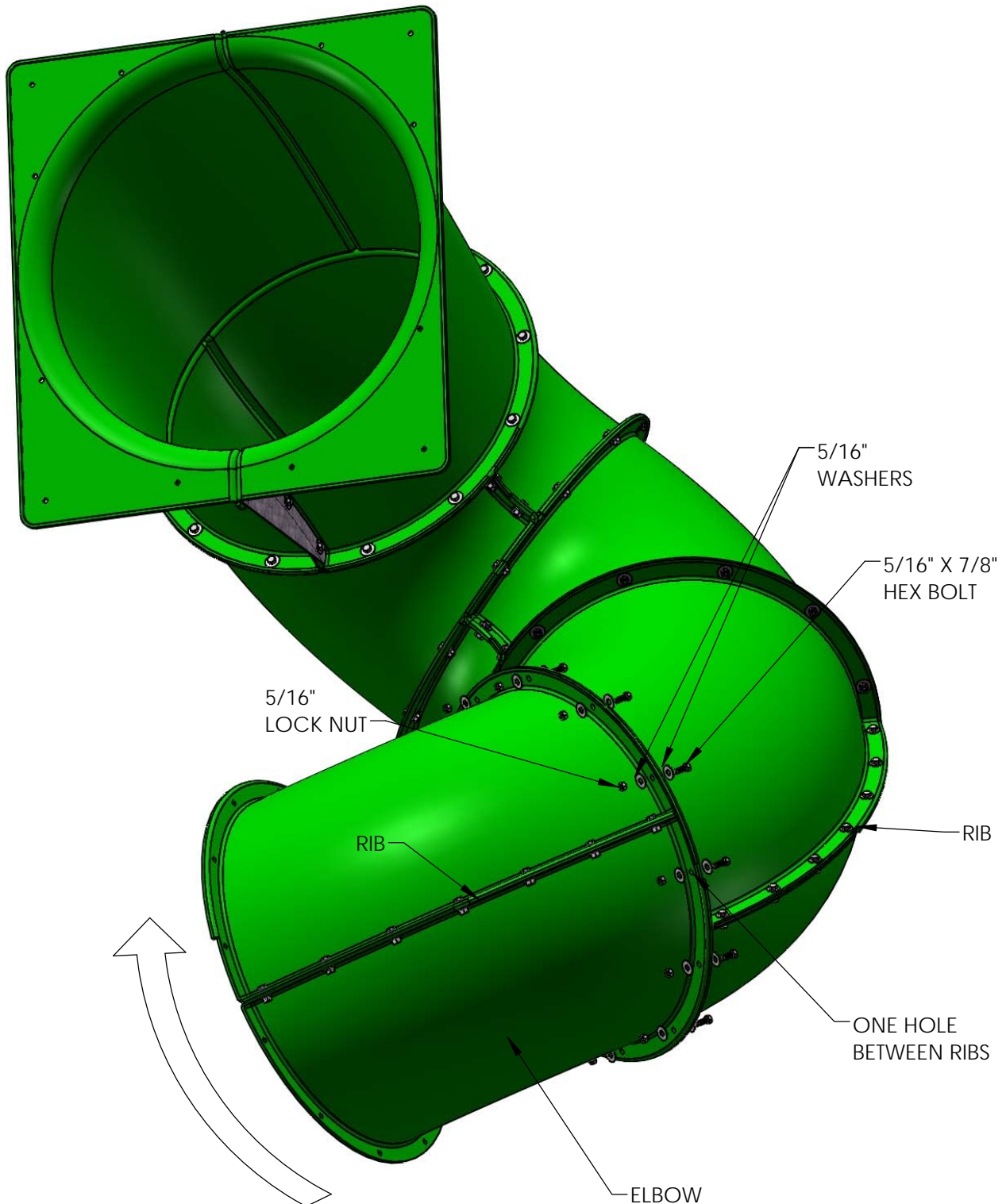
1. TAKE ONE ELBOW THAT WAS ASSEMBLED IN STEP 3 AND LINE IT UP BY ROTATING THE ELBOW ONE HOLE UP BETWEEN THE RIBS AS SHOWN BELOW.
2. ATTACH THE ELBOW WITH 5/16" X 7/8" HEX BOLTS, 5/16" WASHERS AND 5/16" LOCK NUTS. PARTIALLY ENGAGE THE END OF THE BOLTS WITH THE PLASTIC RING INSIDE THE LOCK NUTS. LEAVE THE BOLTS LOOSE FOR NOW.





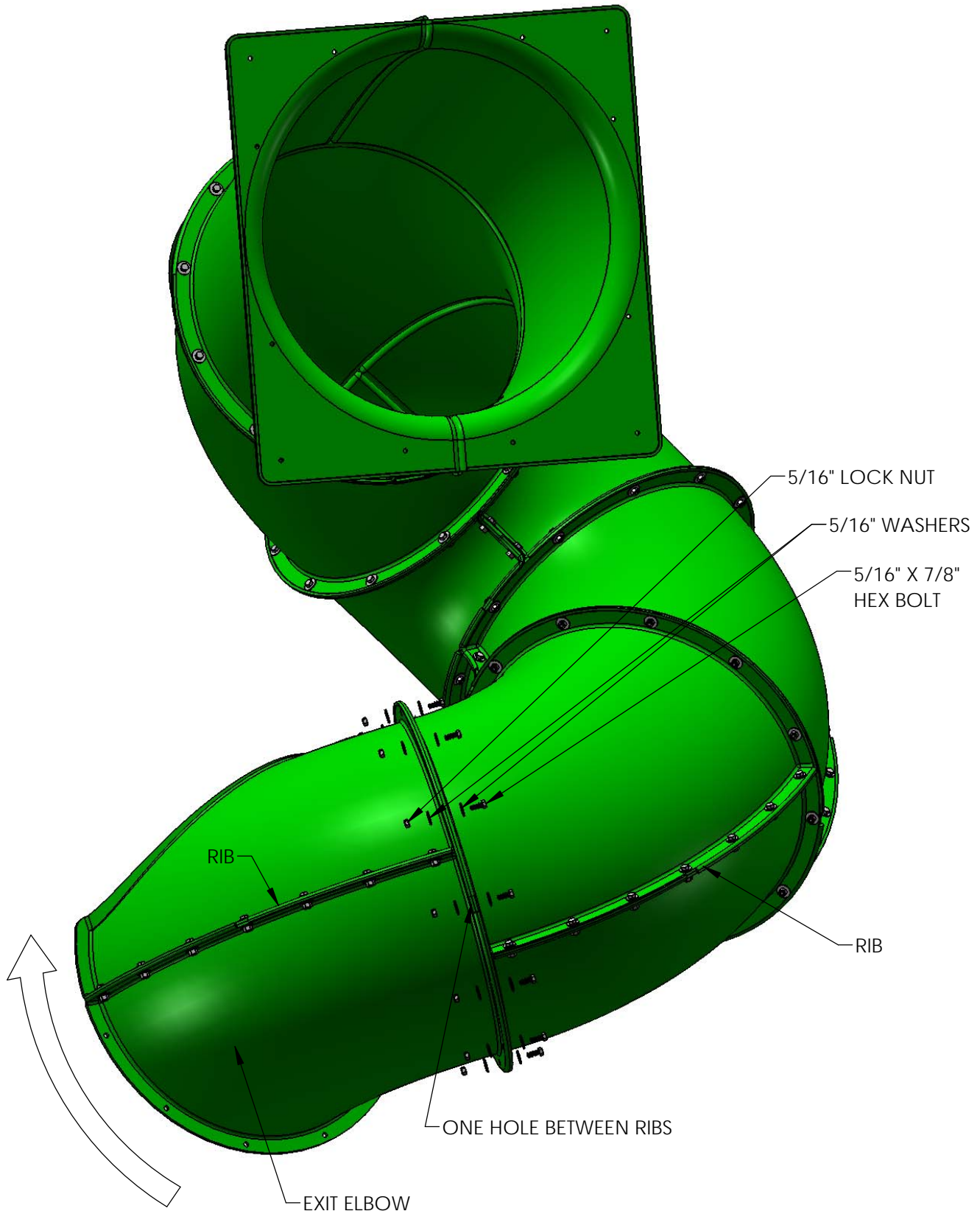
## STEP 7: ATTACHING THE FOURTH ELBOW

1. TAKE ONE ELBOW THAT WAS ASSEMBLED IN STEP 3 AND LINE IT UP BY ROTATING THE ELBOW ONE HOLE UP BETWEEN THE RIBS AS SHOWN BELOW.
2. ATTACH THE ELBOW WITH 5/16" X 7/8" HEX BOLTS, 5/16" WASHERS AND 5/16" LOCK NUTS. PARTIALLY ENGAGE THE END OF THE BOLTS WITH THE PLASTIC RING INSIDE THE LOCK NUTS. LEAVE THE BOLTS LOOSE FOR NOW.



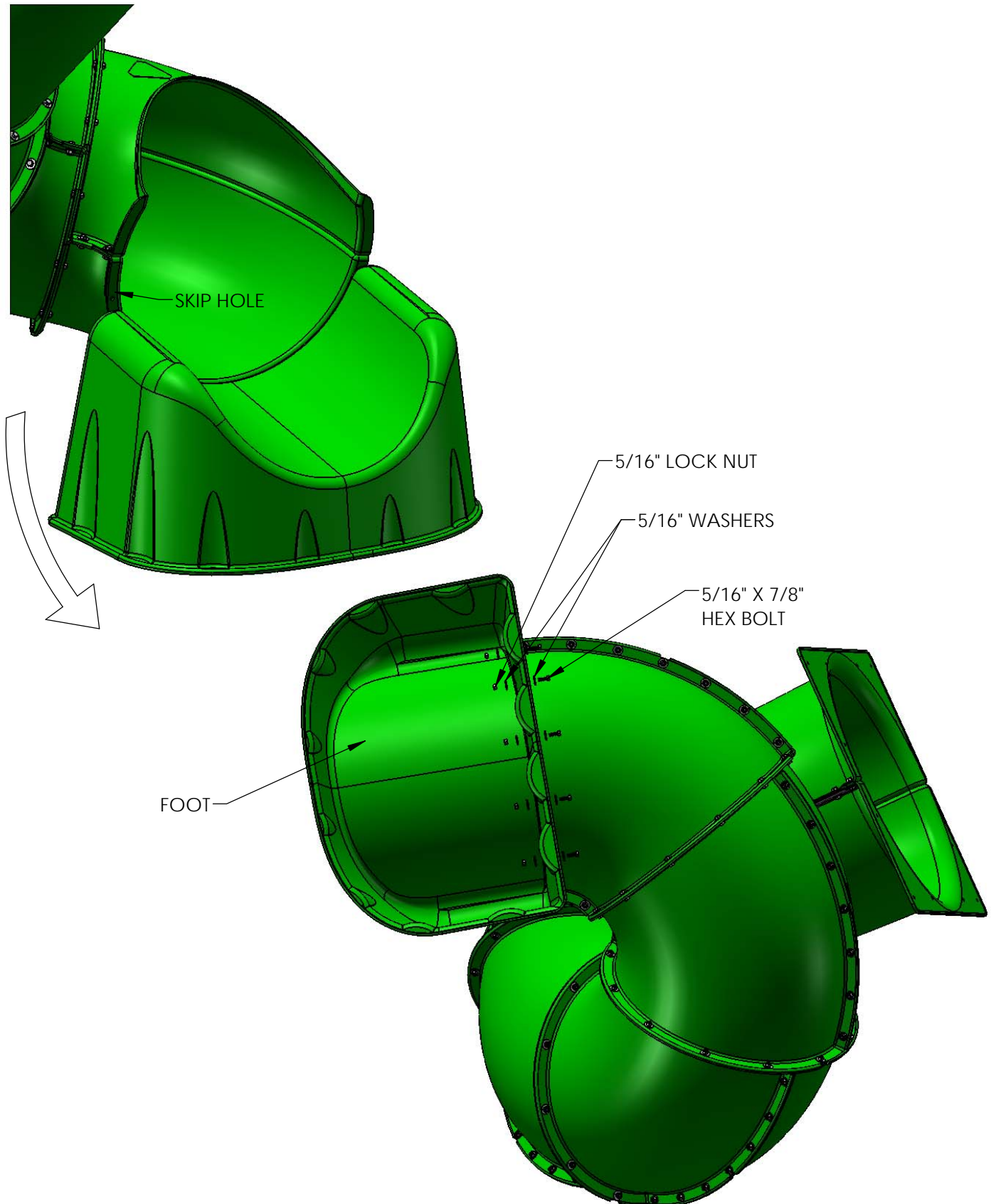
## STEP 8: ATTACHING EXIT ELBOW

1. TAKE THE EXIT ELBOW THAT WAS ASSEMBLED IN STEP 3 AND LINE IT UP BY ROTATING THE EXIT ELBOW ONE HOLE UP BETWEEN THE RIBS AS SHOWN BELOW.
2. ATTACH THE EXIT ELBOW WITH 5/16" X 7/8" HEX BOLTS, 5/16" WASHERS AND 5/16" LOCK NUTS. PARTIALLY ENGAGE THE END OF THE BOLTS WITH THE PLASTIC RING INSIDE THE LOCK NUTS. LEAVE THE BOLTS LOOSE FOR NOW.



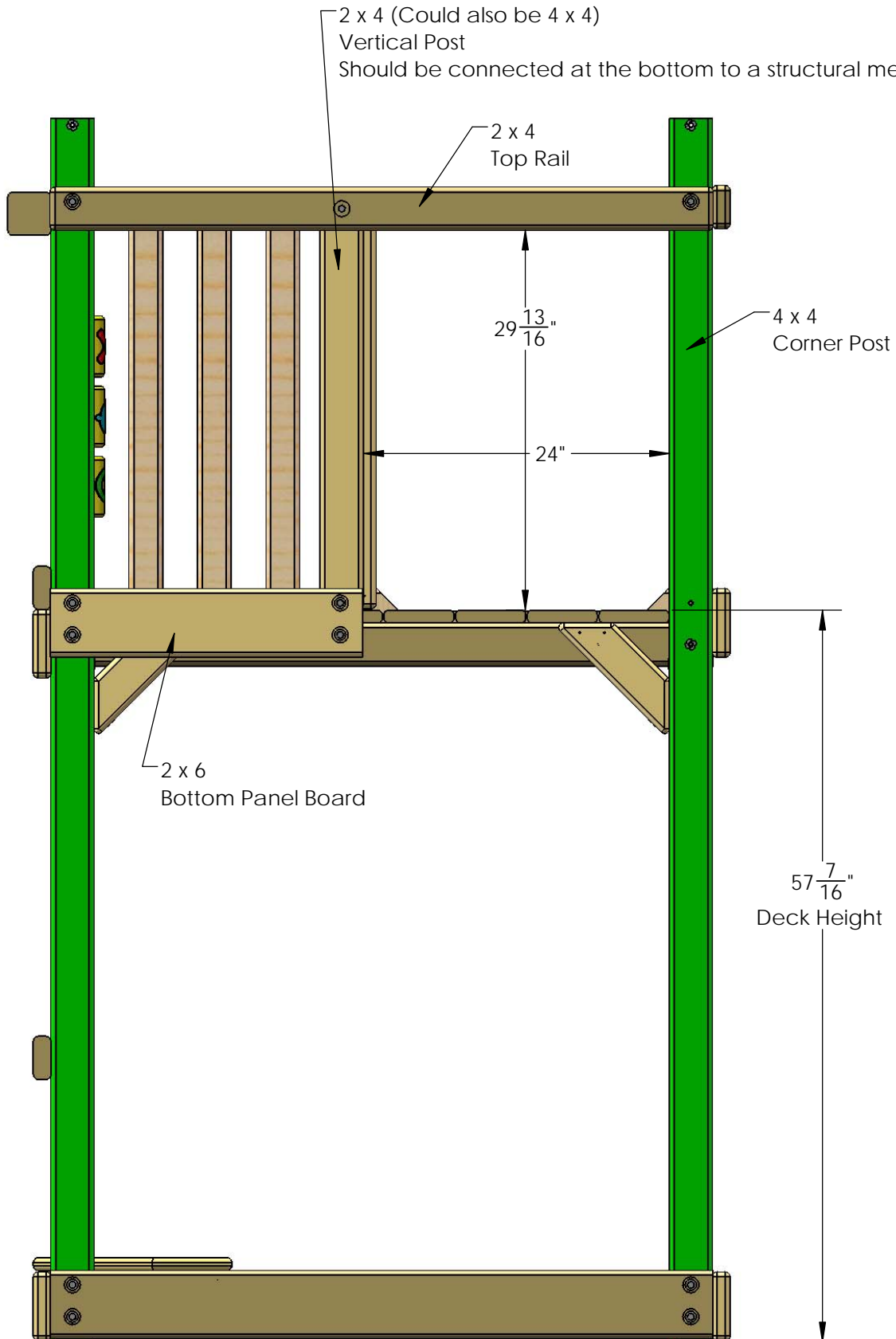
## STEP 9: ATTACHING THE FOOT

1. TAKE THE FOOT AND LINE IT UP BY SKIPPING ONE HOLE DOWN FROM THE EXIT ELBOW AS SHOWN BELOW IN THE DETAIL VIEW.
2. ATTACH THE FOOT WITH 5/16" X 7/8" HEX BOLTS, 5/16" WASHERS AND 5/16" LOCK NUTS. TIGHTEN THE BOLTS INSIDE THE FOOT NOW.



# Custom Framing Dimensions

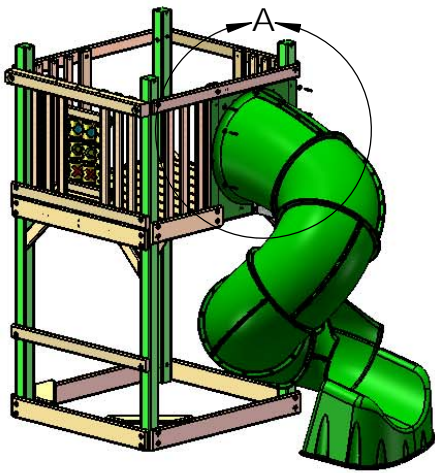
If you purchased a playset that came with this slide then refer to your manual regarding the framing of your playset. This step is intended for those who are constructing a custom playset of their own design. While this may not cover the exact details of your design it may be used as a general guideline for the installation. Since construction methods and designs vary we cannot cover every single way to frame the playset to attach the slide.



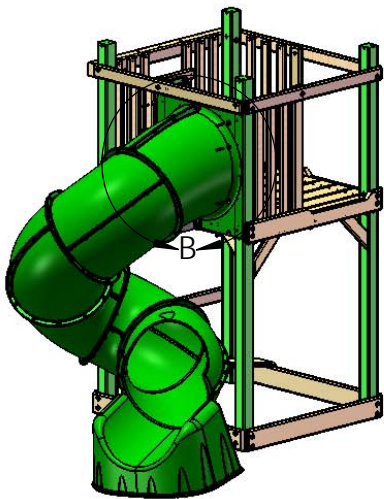
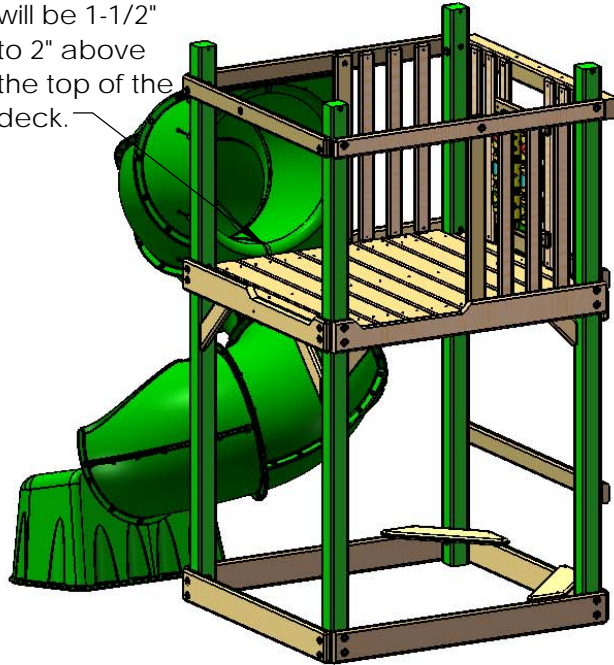
# Mounting Slide -!!CUSTOM APPLICATIONS ONLY!!

1: Make marks at 87" on each post. Using an assistant lift the slide up to the set aligning the top of the slide with the marks. Look at the slide and make sure the bottom is resting flat upon the ground. If something looks incorrect move the slide up or down slightly.

2: Lag screw in the bottom-most holes you can get to. Then work your way to the top with the remaining lag screws and washers.



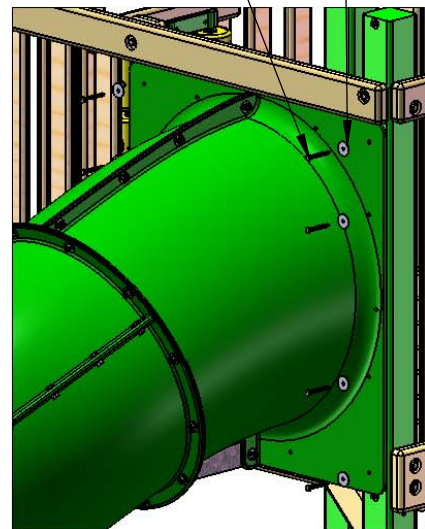
Slide Entry will be 1-1/2" to 2" above the top of the deck.



1-1/4" FENDER WASHER (USE FOR ALL LAGS)  
2" LAG SCREW

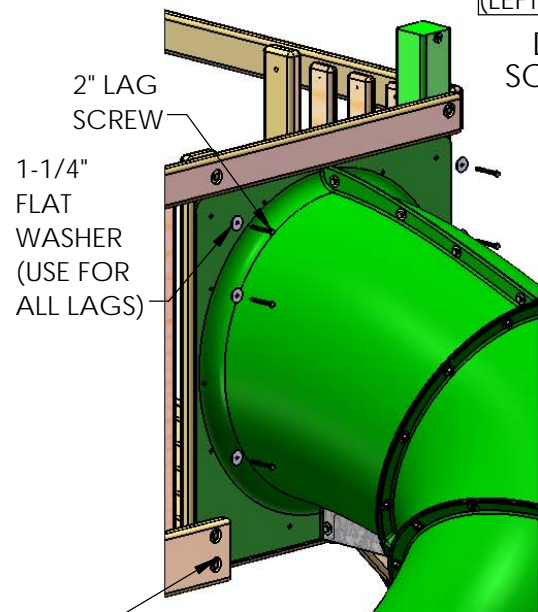
LAG SCREWS (LEFT SIDE OF SLIDE)

DETAIL A  
SCALE 1 : 16



LAG SCREWS (RIGHT SIDE OF SLIDE)

DETAIL B  
SCALE 1 : 16



2" LAG SCREW  
1-1/4" FLAT WASHER (USE FOR ALL LAGS)

**NOTE: WE RECOMMEND PREDRILLING ALL LAG SCREW HOLE WITH A 3/32" DRILL BIT PRIOR TO INSTALLING THE LAG SCREWS.**

←IF THIS BOARD IS NOT PRESENT THEN YOU MAY USE A LAG HERE.

# APPENDIX A

Look at the cover of your playset manual. At the bottom there will be a model number. If your model number is shown below then use this appendix to mount your slide to your playset. Disregard the tube slide mounting steps in your manual and use these instead.

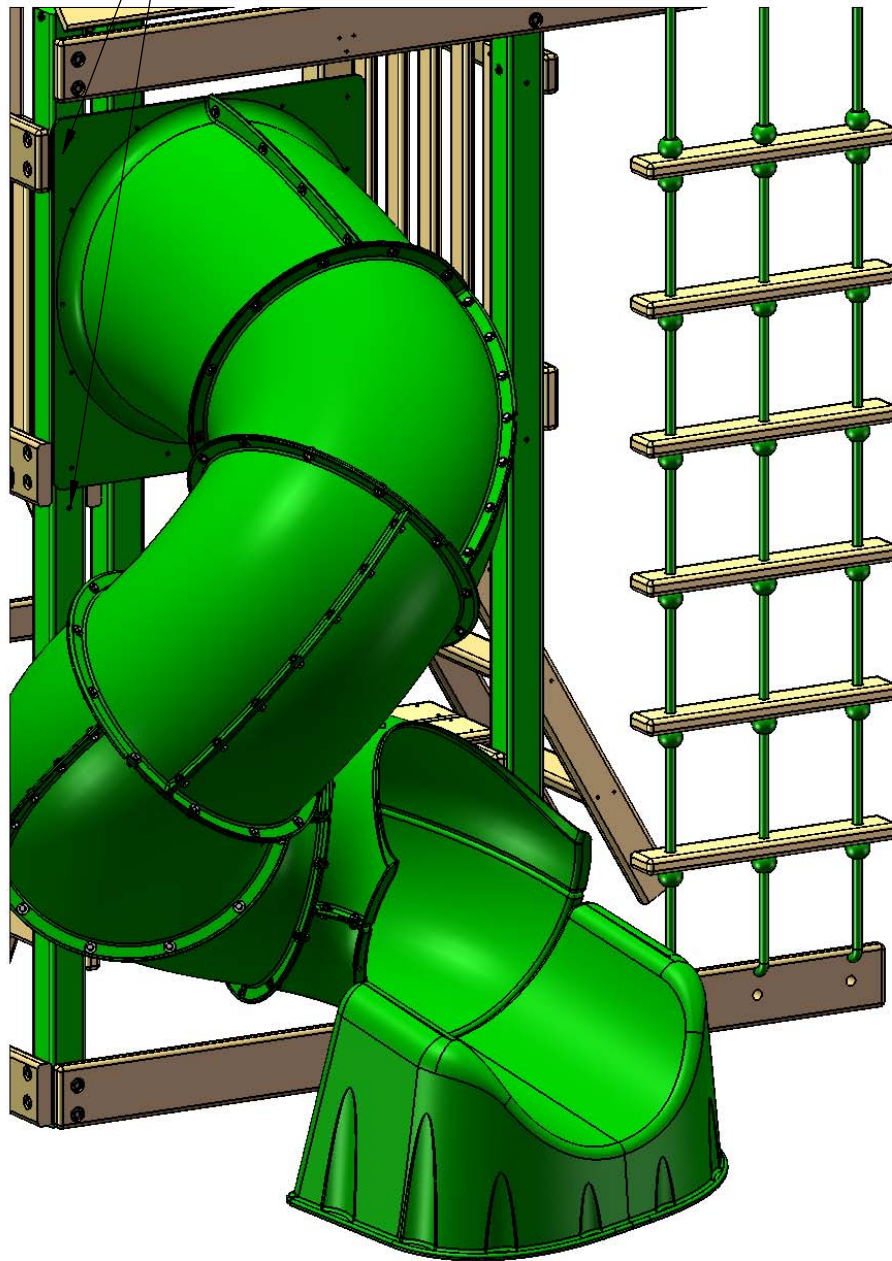
1500CW  
1500CWF  
1500CWR  
1500CWC  
1500CWR  
1500CWC  
1500CWR  
1500CWC  
1500CT  
1500CTC  
1500JW  
1500JWR  
1500JWF

## STEP 38: EXTREME TUBE SLIDE

1: ASSEMBLE THE EXTREME TUBE SLIDE (SEE INSTRUCTIONS ENCLOSED IN EXTREME TUBE SLIDE BOX.)

2: USE STEP 38A TO ATTACH THE SLIDE TO THE PLAY SET.

PLACE A PLASTIC "T-SHAPED" PLUG IN THE HOLES IN THE CORNER POST HERE BEFORE MOUNTING THE SLIDE TO THE PLAY SET IN THE NEXT STEP.



## STEP 38A: ATTACHING THE SLIDE TO THE FORT

1: MEASURE FROM THE BOTTOM OF THE ROPE LADDER SUPPORT UP 87". MAKE A MARK ON THE CORNER POST AND ON THE SLIDE MOUNT POST.

2: WITH THE HELP OF AN ASSISTANT PLACE THE SLIDE INTO POSITION AND LINE UP THE TOP WITH THE MARKS AT 87". LOOK TO SEE IF THE FOOTER IS FLAT UPON THE GROUND. ADJUST THE SLIDE UP OR DOWN SLIGHTLY UNTIL THE FOOT RESTS FLAT UPON THE GROUND.

3: FASTEN THE LOWEST HOLES AS SHOWN BELOW WITH A 2" LAG SCREW AND A 1-1/4" FENDER WASHER. DO NOT ATTACH THE BOTTOM RIGHT HOLE OF THE SLIDE ENTRY PLATE AT THIS TIME.

4: WORK YOUR WAY UP THE SIDES INSTALLING MORE 2" LAG SCREWS WITH 1-1/4" FENDER WASHERS.

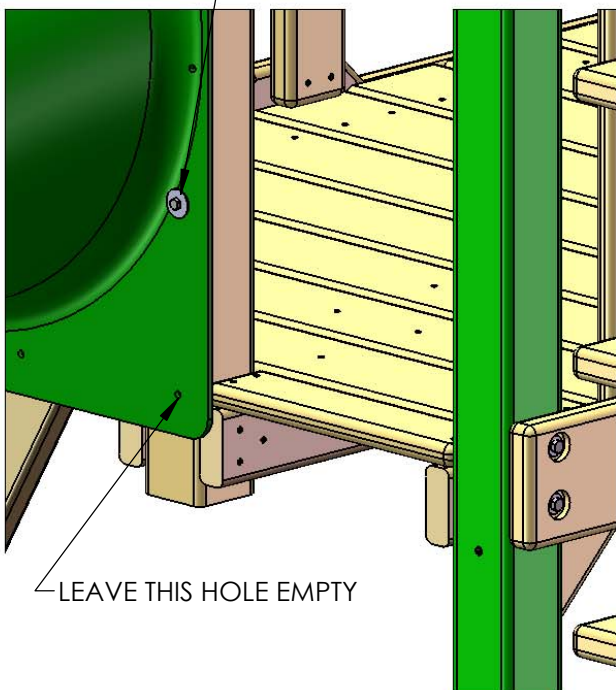
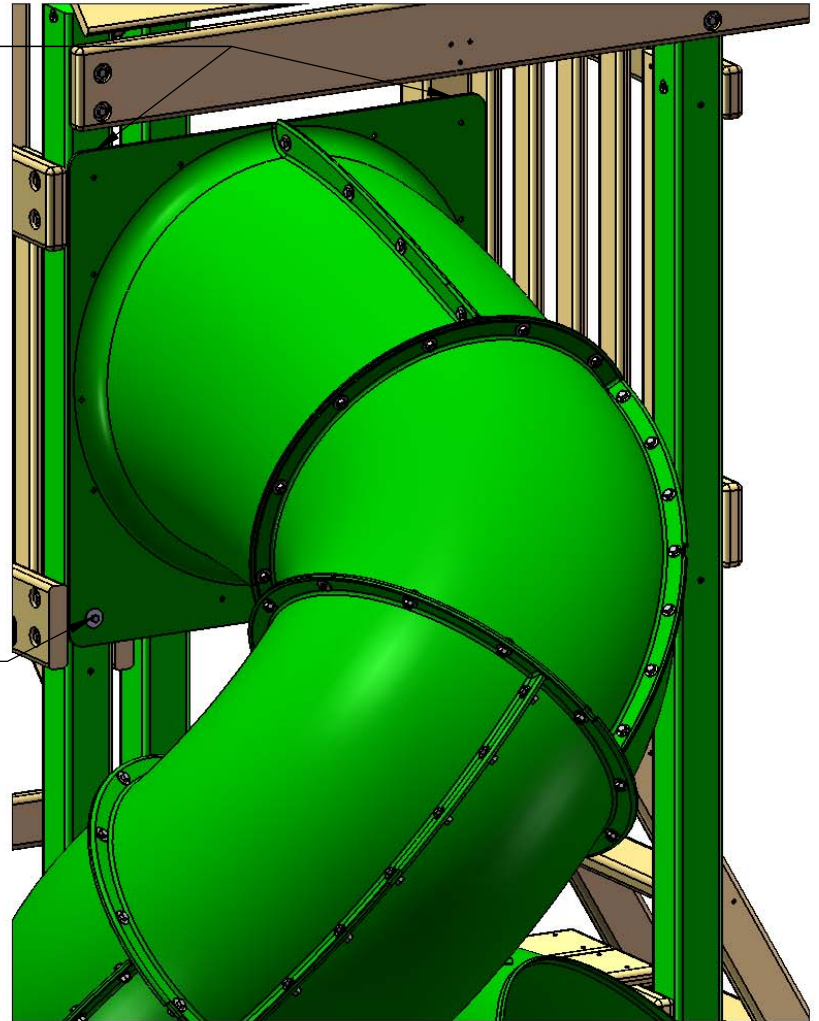
5: NOW GO ALL AROUND THE SLIDE AND TIGHTEN UP ALL OF THE BOLTS IF YOU HAVE NOT DONE SO ALREADY.

87" MARKS

2" LAG SCREW WITH 1-1/4"  
FENDER WASHER

2" LAG SCREW WITH 1-1/4"  
FENDER WASHER

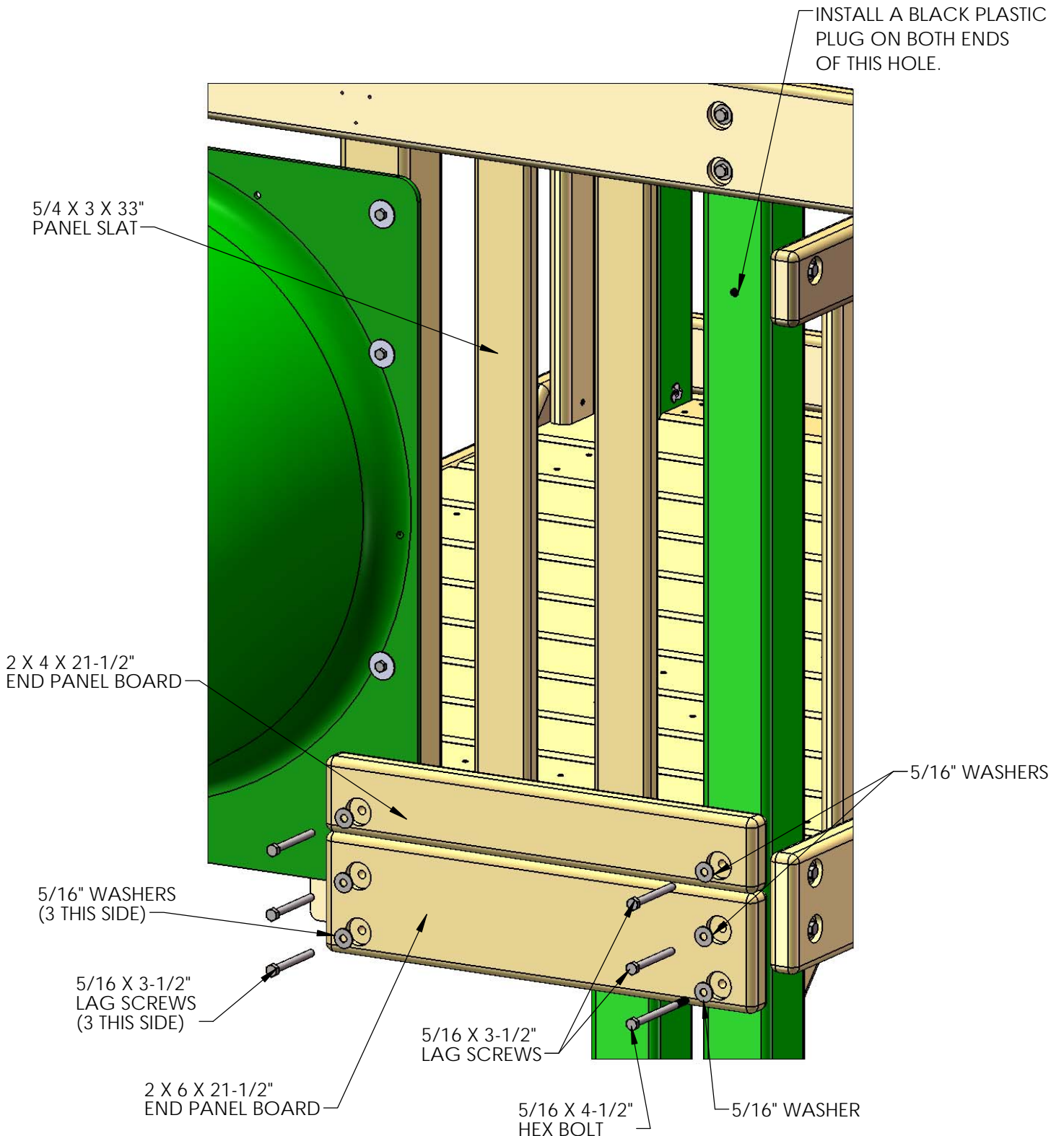
LEAVE THIS HOLE EMPTY





## STEP 38B: SLIDE PANEL

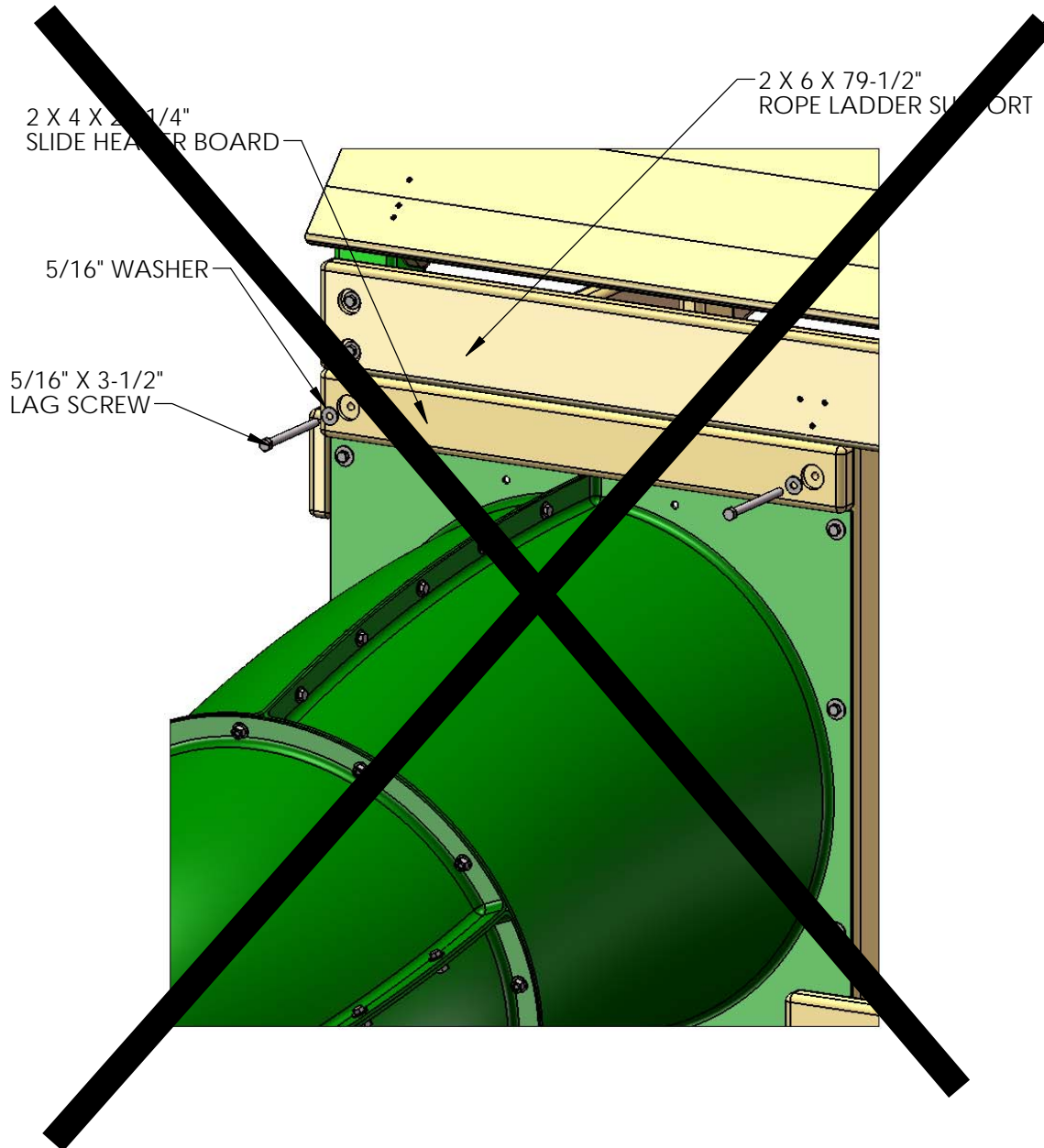
- 1: FIND THE 2 X 4 X 21-1/2" END PANEL BOARD, AND THE 2 X 6 X 21-1/2" END PANEL BOARD.
- 2: PLACE THE 2 X 6 X 21-1/2" BOTTOM PANEL BOARD AGAINST THE CORNER POST WITH OFFSET HOLES DOWN, AND MOUNT THE BOTTOM RIGHT HOLE WITH A 5/16 X 4-1/2" HEX BOLT AND 5/16" WASHER INTO THE HOLE OF THE CORNER POST, AND INTO THE T-NUT.
- 3: FASTEN THE REMAINING HOLES OF THE 2 X 6 X 21-1/2" END PANEL BOARD TO THE CORNER POST AND CENTER POST WITH 5/16 X 3-1/2" LAG SCREWS AND 5/16" WASHERS.
- 4: PLACE THE 2 X 4 X 21-1/2" END PANEL BOARD ABOVE THE 2 X 6 X 21-1/2" END PANEL BOARD, AND FASTEN TO THE CENTER POST AND CORNER POST WITH 5/16 X 3-1/2" LAG SCREWS AND 5/16" WASHERS.
- 5: FROM THE INSIDE OF THE FORT, FASTEN THE 5/4 X 3 X 33" PANEL SLATS WITH 2" WOOD SCREWS.
- 6: IF YOU HAVE NOT DONE SO TIGHTEN ALL HARDWARE ON THE SLIDE.



## STEP 38C: ATTACHING SLIDE HEADER BOARD

1: PLACE THE 2 X 4 X 29-1/4" SLIDE HEADER BOARD BETWEEN THE SLIDE AND THE ROPE LADDER SUPPORT. ATTACH SLIDE HEADER BOARD TO POSTS WITH 5/16" X 3-1/2" LAG SCREWS AND 5/16" WASHERS.

**SKIP THIS STEP  
THIS PART IS NO LONGER REQUIRED.**



# APPENDIX B

Look at the cover of your playset manual. At the bottom there will be a model number. If your model number is shown below then use this appendix to mount your slide to your playset. Disregard the tube slide mounting steps in your manual and use these instead.

381

## STEP 58: ATTACHING THE EXTREME TUBE SLIDE

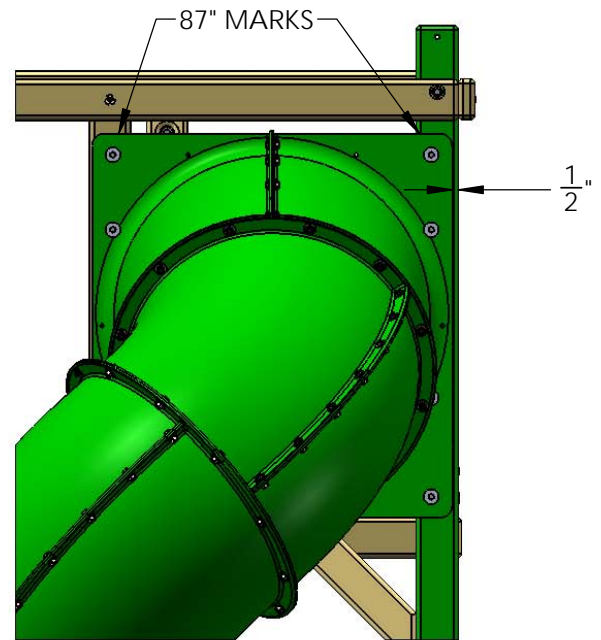
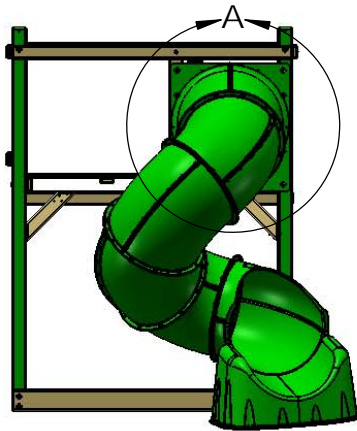
1: ASSEMBLE THE EXTREME TUBE SLIDE ACCORDING TO THE INSTRUCTIONS PROVIDED. SEE BELOW FOR PLACEMENT OF YOUR SLIDE.

2: MEASURE UP FROM THE BOTTOM OF THE SANDBOX BOARD 87". MAKE MARKS ON THE CORNER POST AND THE EXTREME SLIDE POST.

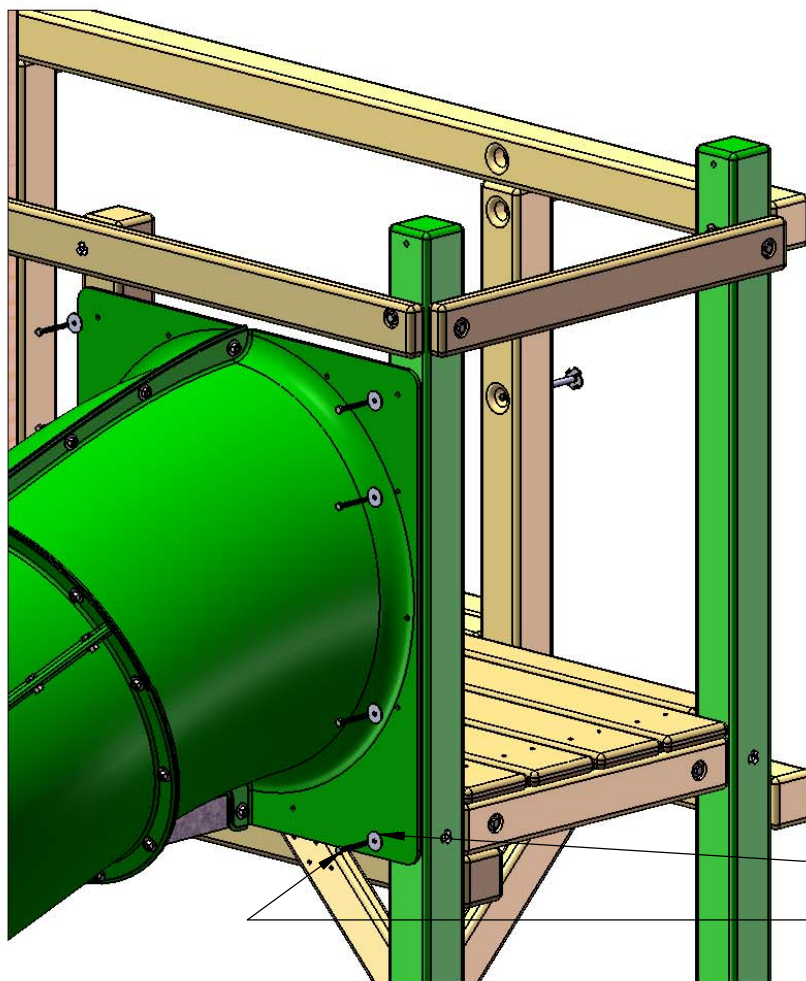
3: WITH THE HELP OF AN ASSISTANT PLACE THE SLIDE INTO POSITION AND LINE UP THE TOP THE MARKS AT 87". LOOK TO SEE IF THE FOOTER IS FLAT ON THE GROUND. ADJUST THE SLIDE UP OR DOWN SLIGHTLY UNTIL THE FOOT RESTS FLAT UPON THE GROUND.

4: FASTEN THE LOWEST HOLES AS SHOWN WITH A 2" LAG SCREW AND A 1-1/4" FENDER WASHER. WORK YOUR WAY UP THE SIDES INSTALLING MORE 2" LAG SCREWS WITH 1-1/4" FENDER WASHERS.

5: NOW GO ALL AROUND THE SLIDE AND TIGHTEN UP ALL OF THE BOLTS IF YOU HAVE NOT DONE SO ALREADY.



DETAIL A  
SCALE 1 : 16

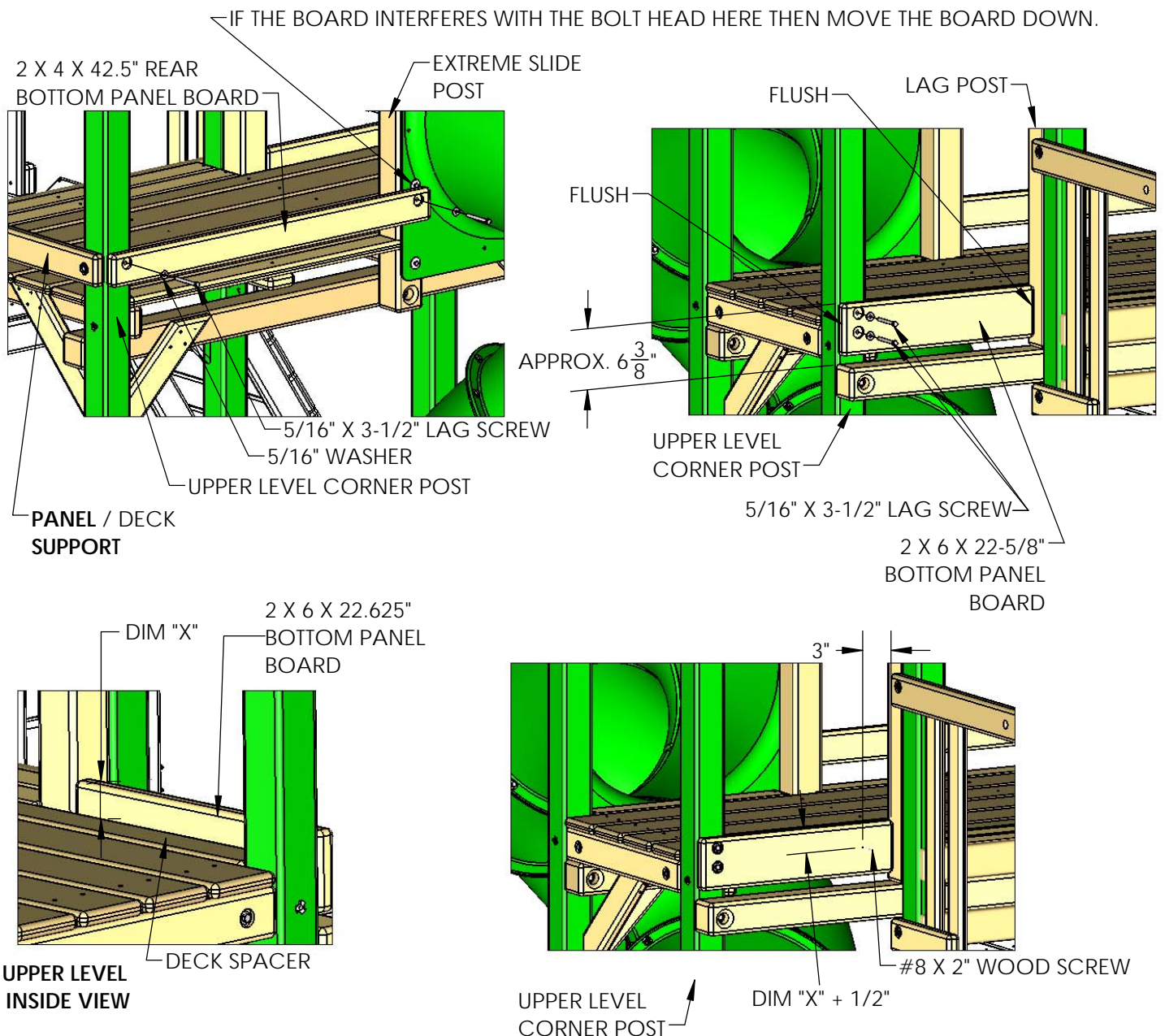


1-1/4" FENDER WASHER

2" LAG SCREW

# STEP 59: REAR BOTTOM PANEL BOARD

- 1: PLACE THE 2 X 4 X 42.5" REAR BOTTOM PANEL BOARD AT THE REAR OF THE FORT AND MAKE IT LEVEL WITH THE **PANEL / DECK SUPPORT** ON THE SIDE OF THE UPPER LEVEL. IF THE BOARD HITS THE TUBE SLIDE SCREW THEN MOVE THE BOARD DOWN.
- 2: ATTACH THE 2 X 4 X 42.5" REAR BOTTOM PANEL BOARD USING 5/16" X 3-1/2" LAG SCREWS AND 5/16" WASHERS.
- 3: MOVE TO THE FRONT OF THE UPPER LEVEL AND MEASURE UP 6-3/8" FROM THE BOTTOM CONNECTOR SUPPORT AND MAKE A MARK ON THE UPPER LEVEL CORNER POST.
- 4: PLACE THE TOP OF THE 2 X 6 X 22.625" BOTTOM PANEL BOARD ON THE MARK. MAKE SURE IT IS FLUSH TO THE UPPER LEVEL CORNER POST ON THE LEFT SIDE AND FLUSH TO THE LAG POST ON THE OTHER SIDE (SEE THE DIAGRAM BELOW FOR DETAILS).
- 5: MAKE SURE THE BOTTOM PANEL BOARD IS LEVEL AND FASTEN USING TWO 5/16" X 3-1/2" LAG SCREWS WITH 5/16" WASHERS.
- 6: MEASURE DOWN FROM THE TOP OF THE BOTTOM PANEL BOARD TO THE TOP OF THE DECK SPACER BEHIND IT (DIM "X"). ADD 1/2" TO DIM X AND TRANSFER (DIM X + 1/2") TO THE FRONT FACE OF THE BOTTOM PANEL BOARD AT APPROXIMATELY 3" AWAY FROM THE LAG POST AND MAKE A MARK.
- 7: FASTEN IT USING ONE #8 X 2" WOOD SCREW AT THE MARK ON THE BOTTOM PANEL BOARD INTO THE DECK SPACER BEHIND IT. (SEE DIAGRAM BELOW FOR MORE DETAILS) DIM "X"



# APPENDIX C

Look at the cover of your playset manual. At the bottom there will be a model number. If your model number is shown below then use this appendix to mount your slide to your playset. Disregard the tube slide mounting steps in your manual and use these instead.

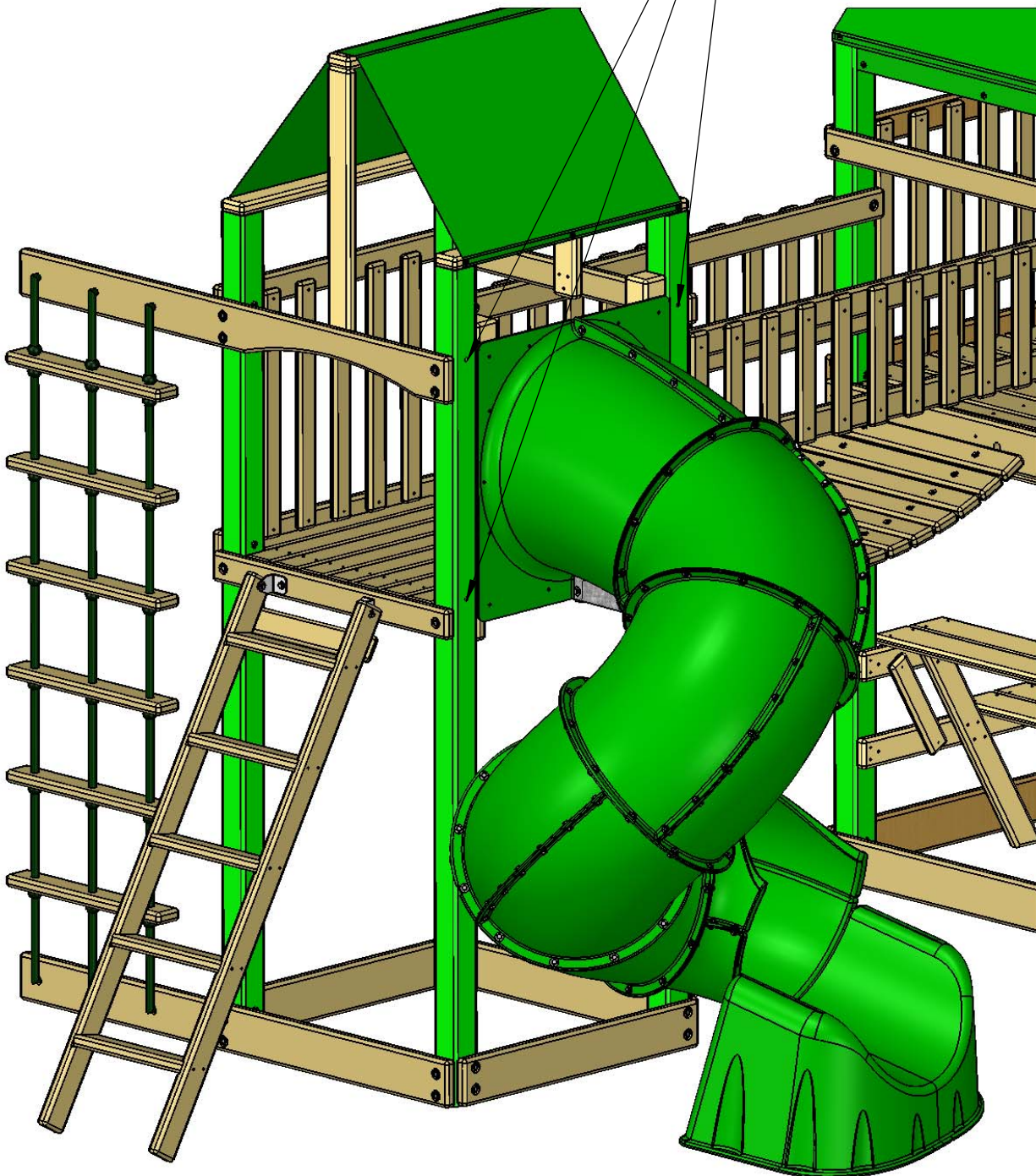
1500FT

## STEP 28: EXTREME TUBE SLIDE

1: ASSEMBLE THE EXTREME TUBE SLIDE (SEE INSTRUCTIONS ENCLOSED IN THE EXTREME TUBE SLIDE BOX.)

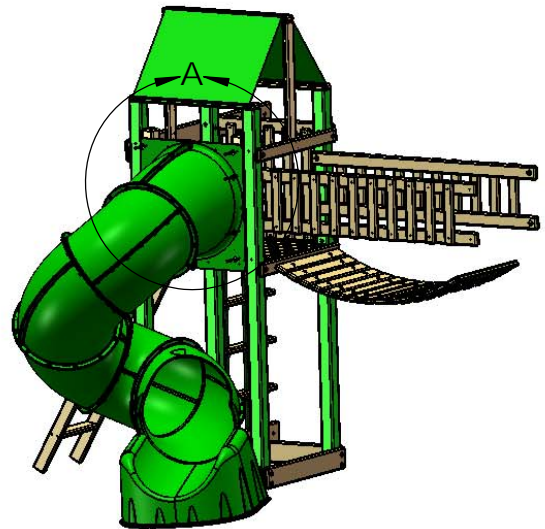
2: USE STEP 29 TO ATTACH THE SLIDE TO THE PLAY SET.

APPLY A DAB OF CLEAR SILICONE  
ONTO A BLACK PLASTIC PLUG.  
PLACE A BLACK PLASTIC "T-  
SHAPED" PLUG IN THE TOP AND  
BOTTOM HOLES IN THE CORNER  
POSTS. YOU WILL NEED 8 PLUGS  
TO SEAL THE FOUR HOLES IN THE  
POSTS.

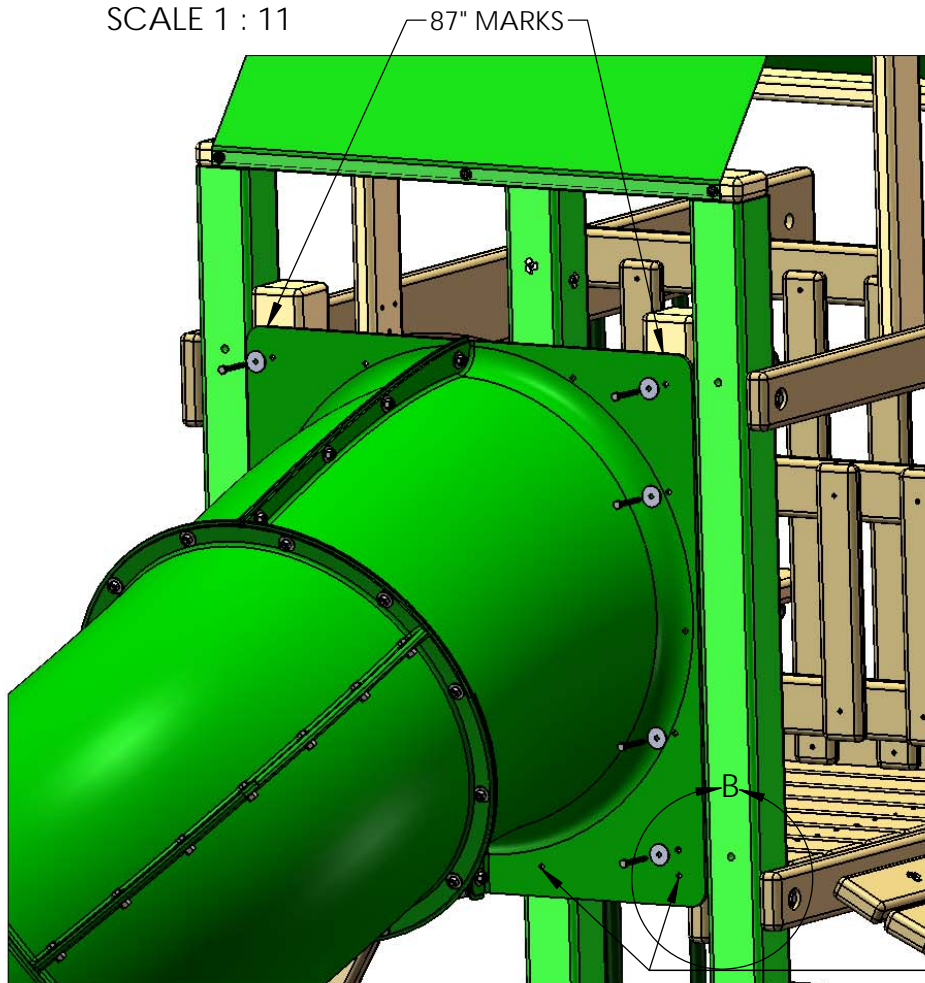


# STEP 29: ATTACHING THE SLIDE TO THE FORT

- 1: MEASURE FROM THE BOTTOM OF THE ROPE LADDER SUPPORT UP 87". MAKE A MARK ON THE LAG POSTS..
- 2: MEASURE UP 1-1/2" FROM THE BOTTOM CORNER HOLE IN THE SLIDE ENTRY AND DRILL A NEW 5/16" HOLE. REPEAT THIS ON THE OTHER SIDE OF THE SLIDE ENTRY.
- 3: WITH THE HELP OF AN ASSISTANT PLACE THE SLIDE INTO POSITION AND LINE UP THE TOP WITH THE MARKS AT 87". LOOK TO SEE IF THE FOOTER IS FLAT UPON THE GROUND. ADJUST THE SLIDE UP OR DOWN SLIGHTLY UNTIL THE FOOT RESTS FLAT UPON THE GROUND.
- 3: FASTEN THE LOWEST HOLES AS SHOWN BELOW WITH A 2" LAG SCREW AND A 1-1/4" FENDER WASHER.
- 4: WORK YOUR WAY UP THE SIDES INSTALLING MORE 2" LAG SCREWS WITH 1-1/4" FENDER WASHERS.
- 5: NOW GO ALL AROUND THE SLIDE AND TIGHTEN UP ALL OF THE BOLTS IF YOU HAVE NOT DONE SO ALREADY.

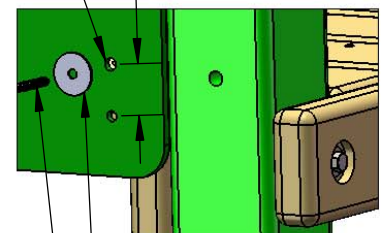


DETAIL A  
SCALE 1 : 11



DRILL NEW 5/16" HOLE  
(ON BOTH SIDES)

1 1/2"



1-1/4" FENDER WASHER

2" LAG SCREW

DETAIL B  
SCALE 2 : 11

DO NOT USE!  
BOTH SIDES.



## STEP 30: ATTACHING PANEL BOARDS

1: PLACE THE 2 X 4 X 36-3/4" TOP PANEL BOARD ABOVE OF THE SLIDE . MAKE SURE YOU FLUSH THE TOP PANEL BOARD WITH THE TOP OF THE SLIDE . USE 5/16" X 3-1/2" LAG SCREWS AND 5/16" WASHERS TO ATTACH IT TO THE CORNER POSTS.

2: PLACE A SECOND 2 X 4 X 36-3/4" TOP PANEL BOARD ABOVE THE OTHER ONE CENTERING IT VERTICALLY IN THE OPENING. USE 5/16" X 3-1/2" LAG SCREWS AND 5/16" WASHERS TO ATTACH IT TO THE CORNER POSTS.

3: PLACE THE 2 X 6 X 36-3/4" BOTTOM PANEL BOARD BELOW THE SLIDE . MAKE SURE YOU FLUSH THE BOTTOM PANEL BOARD WITH THE BOTTOM OF THE SLIDE. USE 5/16" X 3-1/2" LAG SCREWS AND 5/16" WASHERS TO ATTACH IT TO THE CORNER POSTS.

