



# Rosewood

**Model: 2507W**

(BOXES: 2500-1, 2500-2,  
2507 & Slide Box)

Copyright © 2018 Gorilla Playsets  
All Rights Reserved



**51-0095**

190 Etowah Industrial Court  
Canton, GA 30114

**[www.gorillaplaysets.com](http://www.gorillaplaysets.com)**



Please inspect and inventory all parts immediately upon accepting delivery. Use the inventory pages in the manual to make sure you have received all necessary parts. The quickest method to get any parts that are missing or damaged is to use our “Quick Response Center” located at:

**[www.gorillaplaysets.com/support](http://www.gorillaplaysets.com/support)**

DO NOT RETURN THIS PRODUCT TO THE RETAILER OR CONTACT THE RETAILER DIRECTLY. THE RETAILER DOES NOT STOCK COMPONENTS.

PLEASE RETAIN ALL INSTRUCTIONS FOR FUTURE REFERENCE. KEEP THEM IN A SAFE PLACE WHERE YOU CAN REFER TO THEM AS NEEDED. CHECK FOR REVISED INSTRUCTIONS AT:

**[www.gorillaplaysets.com/manuals](http://www.gorillaplaysets.com/manuals)**

## GORILLA PLAYSETS WARRANTY – 2018

---

Gorilla Playsets® (“Gorilla”) warrants its play sets to be free from defects in workmanship and materials, under normal use and conditions, for 10 years for above ground structural wood components and for one year for all other components (e.g., swings, hardware, plastics, tarps, rope ladder, etc.).

Gorilla warrants all remaining products, including but not limited to its, Malibu Playhouse, Free Standing Swing Set, Free Standing Tire Swing, See-Saw, Children’s Picnic Table with Umbrella, Play-Zee-Bo™, Cedar Toy Chest, Interlocking Sandbox and spring riders to be free from defects in workmanship and materials, under normal use and conditions, for a period of 1 year.

**Cosmetic imperfections and natural tendencies of wood such as peeling, splintering, warping, seasonal checking or cracking, knots or knot holes, etc. are normal characteristics of all outdoor wooden play equipment and are not covered by this warranty. Checks or cracks in wood components that do not affect the intended function of the part, piece or overall swing set are not covered under this warranty.**

Wood rot or decay that develops because the product was installed in an area with poor drainage is not covered under this warranty. Lumber that has been damaged by wood boring bees, or conditions that develop as a result of faulty or improper installation of the product, are not covered by this warranty. Fading of stain, discoloration or mold on any wood part or accessory is not covered by this warranty. Cracks in plastic components, surface rust on hardware and chips on powder coated materials are not considered defects in material as long as they do not affect the functionality or structural integrity of the part or component.

It is the owner’s responsibility to maintain the swing set. **This includes but is not limited to staining and sealing the lumber as needed and regular inspection to be sure all hardware is tight.** Instructions for proper maintenance can be found on Gorilla’s website. Imperfections or conditions that develop because of a failure to properly maintain the swing set are not covered by this warranty.

Gorilla will, at its discretion, replace any above ground part within the stated warranty period that is defective in workmanship or materials. This decision is subject to verification of the defect, which, at Gorilla’s discretion, may be accomplished by submitting photographs or by delivery of the defective part to Gorilla Playsets • 190 Etowah Industrial Ct. • Canton, GA 30114 • 1-800-882-0272 Monday to Friday 9AM-5PM EST. Any warranty claim must include proof of purchase, including the date of purchase. **In addition, within the first 30 days from the date of purchase, Gorilla will replace any parts discovered to be missing from or damaged in the original packaging.**

This warranty is valid only if the product is used for the purpose for which it was designed and installed at a residential, single-family dwelling. This warranty is void if the product is used in a commercial, institutional or multi-family setting. **This warranty does not cover normal wear and tear or (a) products that have been damaged by acts of God and/or nature, negligence, misuse or accident; (b) products that have been modified or repaired by unauthorized persons; (c) the cost of labor; or (d) the cost of shipping any replacement product or part.**

GORILLA DISCLAIMS ALL OTHER REPRESENTATIONS AND WARRANTIES OF ANY KIND, EXPRESSED, IMPLIED, STATUTORY OR OTHERWISE, INCLUDING THE IMPLIED WARRANTIES OF MERCHANTABILITY AND FITNESS FOR A PARTICULAR PURPOSE. GORILLA WILL NOT BE LIABLE FOR ANY INCIDENTAL OR CONSEQUENTIAL DAMAGES. This warranty is non-transferable and does not extend to the owners of the product subsequent to the original purchaser. Some states do not allow limitations on implied warranties or exclusion of incidental or consequential damages, so these restrictions may not be applicable to you. This warranty gives you specific legal rights. You may also have other rights which vary from state to state.

# IMPORTANT SAFETY GUIDELINES

This product is recommended for use by children ages 3-11. This product is intended for residential use only and not intended for use in any public setting. A safety surface such as mulch or recycled tire should be used under the play set to prevent injury from falls. Also a 6 foot safety zone should be used around the entire play set.

As with any home project, good judgment and respect for power tools will greatly reduce the risk of injury. Gorilla recommends you follow all tool manufacturers' safety guidelines. Always wear eye protection and safety gloves to prevent injury. In several phases of construction two people may be required for lifting and securing of lumber. While the play set is being constructed, please keep children off the equipment until the project is complete. Bolts and screw heads should be checked regularly for tightness. The ground ladder, rope ladder, slide, swings and other areas where children spend a majority of their playtime should be checked more frequently.

Gorilla shall not be liable for incidental, indirect or consequential damages or injuries that result from building and/or playing on our play sets. Adult supervision is recommended anytime a play set is being used.

## WEIGHT LIMITS FOR GORILLA PLAYSETS

- FORT PLATFORMS: 800 LBS. TOTAL WEIGHT
- SWING BELT: 225 LBS.
- TANDEM SWINGS: 70 LBS. PER CHILD. UP TO 140 LBS. TOTAL WEIGHT.
- TRAPEZE: 125 LBS.
- FULL BUCKET SWING/ HALF BUCKET SWING: 50 LBS.
- HEAVY DUTY TODDLER BUCKET SWING: 85 LBS.
- INFANT SWING: 35 LBS.
- TIRE SWING: 125 LBS. TOTAL WEIGHT
- ROPE LADDER: 75 LBS.
- ROCK WALL: 150 LBS.
- CLIMBING RAMP: 150 LBS.
- MONKEY BARS: 175 LBS.
- ALL SLIDES: 150 LBS.

Gorilla recommends that the weight limits for all components must not be exceeded. Failure to adhere to these and other safety guidelines could result in damage to the play set and injury to the users.

# PRODUCT REGISTRATION

- ROSEWOOD -

Gorilla Playsets™ manufactures the finest quality products that are designed for outstanding strength and durability. We back our products with unparalleled warranties. In the unlikely event that you need to contact us about covered repairs, we must have a valid Product Registration on file.

3 EASY WAYS TO REGISTER	
<b>OPTION 1</b>	Complete the online registration form at: <b><a href="http://www.gorillaplaysets.com/register">http://www.gorillaplaysets.com/register</a></b>
<b>OPTION 2</b>	Fax this completed form to: <b>(678) 880-3300</b>
<b>OPTION 3</b>	Mail this completed form to: <b>Gorilla Playsets</b> <b>190 Etowah Industrial Court</b> <b>Canton, GA 30114</b>

## Where did you buy this product?

Date of Purchase \_\_\_\_\_

Store \_\_\_\_\_

Store City \_\_\_\_\_

Store State \_\_\_\_\_

## Your registration information:

Name: \_\_\_\_\_ Email: \_\_\_\_\_

Address: \_\_\_\_\_

Street

City

State

Zip

Please select  18-30  41-50

your age  31-40  51+

How old are  2-3  6-7

your children?  4-5  8+

Number of  
children

How would  ★★★★★ Excellent  
you rate the  ★★★★ Above Average  
quality of this  ★★★ Average  
product?  ★★ Below Average  
 ★ Poor

Would you recommend this product to friends & family?  Yes  No

May we add you to our mailing list?  Yes  No

May we use your comments on websites or other marketing materials?  Yes  No

Comments: \_\_\_\_\_

\_\_\_\_\_

\_\_\_\_\_

\_\_\_\_\_

**THIS PAGE INTENTIONALLY LEFT BLANK**

## **IMPORTANT – PLEASE READ**

Congratulations! You have just purchase one of the finest residential wooden swing sets available today. As with any wooden product that spends its entire life outside, in varying elements, it is important to know what to expect with your new swing set so that your family can enjoy it for many years.

As your swing set acclimates to its new environment, natural characteristics of the wood can show in the form of checks, or “cracks” in the lumber. In almost all cases this is normal and it will not affect the structural integrity of your play set and is not covered under warranty.

## **KEEPING YOUR PLAYSET LIKE NEW**

### **MUST DO's**

**The following owner responsibilities are crucial to the safety, integrity and aesthetic appeal of your swing set and may affect the warranty if not adhered to.**

#### **WITHIN 60 DAYS**

- Check and tighten Hex Bolts/T-nuts, Carriage Bolts/Lock-nuts, and Lag Screws within the first 60 days and then twice annually – once before each season and then once during the season.

#### **WITHIN 90 DAYS**

- Apply a **sealant** or **semi-transparent stain with sealant** within the first 90 days of owning the swing set. Our own Stain/sealant is available online here: <http://www.gorillaplaysets.com/Playground-Sealant-p/10-0003.htm>

Oil based stain or water based stain may be used. Should you choose to use other stain we suggest asking the product covering specialists at any number of specialty paint stores or home improvement centers for a product that would work best for your local environment. \*\* TIP – while the set is new, take a small board from the store with you so they can color match the tint of the stain or sealant.

#### **SEASONAL REMINDERS**

- If your area experiences regular snowfall, remove your fabric tarp/canopy to avoid stretching, sagging or tearing of the material. Store it inside, folded up, and it will be as good as new when winter is over.
- If your area experiences extremely cold temperatures, remove swing belts and other pliable features to prolong the lifespan of these play activities.

#### **OTHER TIPS**

- Spray swing hangers with Pam, Mazola or olive oil to stop squeaking; do not use petroleum based products such as WD-40 or motor oil.
- To repel yellow jackets and wasps, use a cotton ball and dab interior wooden corners underneath the play set deck with a liquid dish soap. Avoid using insecticides.
- To speed up the slide wipe the center of slide with wax paper every 2 - 3 weeks.

For additional safety and maintenance guidelines, please visit our website.



# IMPORTANT DOCUMENTS

## CUSTOMER MUST READ AND RETAIN

Please go to the following links and read important **SAFETY** information prior to using your new play structure.

<http://www.gorillaplaysets.com/Swing-Set-Safety-s/85.htm>

<https://www.gorillaplaysets.com/Maintenance-s/129.htm>

<http://www.gorillaplaysets.com/manuals.html> (Click on your specific model)

<http://www.gorillaplaysets.com/Warranty-s/82.htm>

**NOTE:** Your children's safety is our #1 concern. Observing the following statements and warnings reduces the likelihood of serious injury. Please review these safety rules regularly with your children.

### **WARNING:**

***Children must NOT use this play set until it has been completely assembled and inspected by an adult to ensure it has been properly installed.***

Gorilla Playsets  
190 Etowah Industrial Court  
Canton, GA. 30114





**Model: 2507W**

(BOXES: 2500-1, 2500-2,  
2507, & Slide Box)

REV: 3.1.2018

# TABLE OF CONTENTS

Safety Guidelines.....	Pages 3-6
Leveling Fort, General Information and Definitions.....	Pages 6-8
How to Install T-nuts, Board Identification, Predrill Lag Screw Directions and Swing Beam Loading.....	Pages 9-13
Site Plan, Required Tool List and Kit Contents.....	Pages 14-15
Hardware, Lumber and Accessory Checklists.....	Pages 16-28
Arranging Corner Posts and adding T-Nuts to Corner Posts.....	Steps 1-2
Framing Fort.....	Steps 3-8
Mounting Fort Side Supports.....	Step 9
Rock Wall Assembly.....	Steps 10-14
Adding Deck Boards and Front Face Board.....	Steps 15-16
Swing Beam Plate, Swing Hangers and Swing Beam Mount.....	Steps 17-19
Ladder Assembly and Installation.....	Steps 20-21
Swing Beam Assembly.....	Steps 22-26
Roof Supports, Center Posts, Deck Stringer, Window Supports/Windows....	Steps 27-30
Panel Slats.....	Step 31
Tic Tac Toe Assembly/Installation.....	Steps 32-33
Roof Assembly.....	Steps 34-38
Installing Window Supports/Windows.....	Step 39
Sandbox Seats, Steering Wheel, Wave Slide and Climbing Rope.....	Steps 40-43
Flag Kits, Hanging Swings, Name Plate and Ground Stakes.....	Steps 44-47
Safety Handles and Telescope.....	Steps 48-49

**PLEASE READ OWNER'S MANUAL CAREFULLY  
BEFORE STARTING ASSEMBLY!**

## **Safety and Maintenance Tips for Your New Play Set:**

**NOTE: Your children's safety is our #1 concern. Observing the following statements and warnings reduces the likelihood of serious or fatal injury. Please review these safety rules regularly with your children.**

- This play set is designed for the use of 4 occupants who have a combined weight not exceeding 800 pounds on the elevated floor, 3 occupants who have a combined weight of 425 pounds on the swing area, for a total Unit capacity of 7 occupants who have a combined weight of 1225. (This weight does not include any picnic table area(s).)
- On-site adult supervision is required.
- Teach children not to walk close to, in front of, behind, or between moving swings or other moving playground equipment.
- Teach children to sit in and never stand on swings
- Teach children not to twist the chains and ropes and not to loop them over the swing beam, since this may reduce the strength of the chain or rope.
- Teach children not to jump from swings or other playground equipment in motion.
- Teach children not to push empty seats. The seat may hit them and cause serious injury.
- Teach children to sit in the center of the swings with their full weight on the seats.
- Teach children not to use the equipment in a manner other than intended.
- Teach children to always go down slides feet first. Never slide headfirst.
- Teach children to look before they slide to make sure no one is at the bottom.
- Teach children to never run up a slide, as this increases their chances of falling.
- The parents should have the children dress appropriately with well-fitting shoes. Loose clothing such as scarves and ponchos should not be worn. Always take off, tie up or tuck in cords and drawstrings on children's clothing. These things can get caught on playground equipment and strangle a child.
- Teach children not to climb when the equipment is wet.
- Teach children to never jump from a fort deck. They should always use the ladder, ramp or slide.
- Teach children to never crawl or walk across the top of monkey bars or swing beam.
- Teach children to never crawl on top of a fort roof or on the outside of a tube slide.
- Verify that any suspended climbing ropes, chains, or cables are secured at both ends and that they cannot be looped around an adult hand.
- Teach children not to attach items to the playground equipment that are not specifically designed for use with the equipment, such as, but not limited to, jump ropes, clothesline, pet leashes, cables and chain as they may cause a strangulation hazard.
- Teach children to never wrap their legs around swing chain.
- Teach children to never slide down the swing chain.
- Teach children to remove their bike or other sports helmet before playing on the playground equipment.
- Teach children to NEVER look at the sun or other bright light through any accessory such as but not limited to a telescope, periscope or binoculars.

**WARNING: Children must NOT use this play set until it has been completely assembled and inspected by an adult to insure it has been properly installed and the swing beam legs are anchored.**

# **Safety and Maintenance Tips for Your New Play Set: (continued)**

Playgrounds should be inspected on a regular basis. If any of the following conditions are noted, they should be removed, corrected, or repaired immediately to prevent injuries.

- Hardware that is loose, worn or that has protrusions or projections.
- Exposed equipment footings.
- Scattered debris, litter, rocks, or tree roots.
- Splinters, large cracks, and decayed wood components.
- Deterioration and corrosion on structural components, which connect to the ground.
- Missing or damaged equipment components, such as handholds, guardrails, swing seats.
- Check all nuts and bolts twice monthly during the usage season and tighten as required. (But not so tight that you crack the wood) We recommend you check the swing beam and hardware often due to wood expansion and contraction. It is particularly important that this procedure be followed at the beginning of each season.
- Remove plastic swing seats and take indoors or do not use when the temperature drops below 32°F. Reinstall swings and other swing equipment at the beginning of the usage season.
- Oil all metallic moving parts monthly during the usage period.
- Check all coverings for bolts and sharp edges twice monthly during usage season to be certain they are in place. Replace when necessary. It is especially important to do this at the beginning of each new season.
- Check swing seats, ropes, cables and chains monthly during usage season for evidence of deterioration. Replacement should be made of any swing seat that has developed cracks in the plastic seats. Ropes, cables and chains should be removed and replaced if excessive wear is found. Contact us for warranted replacement parts.
- Swing chains, rings, ropes, etcetera should always be fastened to a rotating swing hanger. NEVER attach a chain, ring, rope, etcetera to a stationary hanger such as but not limited to an eye bolt. Severe wear could occur leading to an injury.
- For rusted areas on metallic members such as monkey bars, hand supports brackets, etc.; sand and repaint, using a non lead-based paint meeting the requirements of Title 16 C.F.R. Part 1303. These requirements are available at: <http://www.cpsc.gov/>
- Inspect wood parts monthly. The grain of the wood sometimes will lift in the dry season causing splinters to appear. Light sanding may be necessary to maintain a safe playing environment. If you are treating your play set with stain regularly, it will help prevent severe checking/splitting and other weather damage.
- Once or twice a year, depending on your climate conditions, you must apply some type of protection (sealant) to the wood of your unit. Prior to the application of sealant, lightly sand any “rough” spots on your set. Please note this is a requirement of your warranty.
- Creating and maintaining the play set on a level location is very important. As your children play, your play set will slowly dig its way into the soil, and it is very important that it settles evenly. Make sure the play set is level and true once each year or at the beginning of each play season.
- Twice a month during the usage season rake the playground protective surfacing materials to prevent compaction and maintain appropriate depths. Replace the protective surfacing materials as required.
- Disposal Instructions: When the play set is no longer desired, it should be disassembled and disposed of in such away that no unreasonable hazards will exist at the time the play set is discarded.

# Play Set Surfacing Recommendations:

Below are some of the recommendations that the U.S. Consumer Product Safety Commission (CPSC) offers from its Handbook for Public Playground Safety. The guide can be downloaded in full at [www.cpsc.gov/PageFiles/122149/325.pdf](http://www.cpsc.gov/PageFiles/122149/325.pdf)

**1. Protective Surfacing** - Since almost 60% of all injuries are caused by falls to the ground, protective surfacing under and around all playground equipment is the most critical safety factor on playgrounds.

Certain manufactured synthetic surfaces also are acceptable; however, test data on shock absorbing performance should be requested from the manufacturer.

Asphalt and concrete are unacceptable. They do not have any shock absorbing properties. Similarly, grass and turf should not be used. Their ability to absorb shock during a fall can be reduced considerably through wear and environmental conditions.

Certain loose-fill surfacing materials are acceptable. Surfacing materials are acceptable, such as the types and depths shown in the table.

## Fall Heights and Materials

Type Of Material	6 in. depth	9 in. depth	12 in. depth
Double-Shredded bark mulch	6' Fall Height	10' Fall Height	11' Fall Height
Wood Chips	6' Fall Height	7' Fall Height	12' Fall Height
Fine Sand	5' Fall Height	5' Fall Height	9' Fall Height
Shredded Tires*	10-12' Fall Height	N/A	N/A
Fine Gravel	6' Fall Height	7' Fall Height	10' Fall Height

\*This data is from tests conducted by independent testing laboratories on a 6-inch depth of uncompressed shredded tire samples produced by four manufacturers. The tests reported critical heights, which varied from 10 feet to greater than 12 feet. It is recommended that persons seeking to install shredded tires as a protective surface request test data from the supplier showing the critical height of the material when it was tested in accordance with ASTM F1292.

*It should be recognized that all injuries due to falls cannot be prevented no matter what surfacing material is used.*

**2. Fall Zones** - A fall zone, covered with a protective surfacing material, is essential under and around equipment where a child might fall. This area should be free of other equipment and obstacles onto which a child might fall. Stationary climbing equipment and slides should have a fall zone extending a Minimum of 6' in all directions from the perimeter of the equipment.

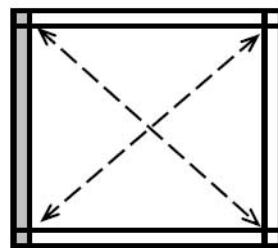
Swings should have a fall zone extending a minimum of 6' from the outer edge of the support structure on each side. The fall zone in front and back of the swing should extend out a minimum distance of twice the height of the swing as measured from the ground to the top of the swing support structure.

## LEVELING YOUR FORT DURING ASSEMBLY

- Complete the steps which will be the basic frame of the fort. {i.e. four corner posts with base (sand box boards) and deck supports}
- Position in the most level area chosen for the play set, keeping in mind the location and size of the swing beam, ladder, slides, etc. that extend off the fort.
- Once the frame is in the final position, check for vertical and horizontal levelness to determine which side(s) will need to be dug into the ground to level the play set.
- With a shovel, score the ground around the outside edges of the sandbox boards on the 'high' side of the fort. This is the area that will be dug in. Make sure to score deep enough; the scored lines will be your digging template.
- Push the frame off and away from the scored area, far enough to dig and remove dirt to reach the appropriate depth.
- Dig a channel along the scored line(s) for the base of the fort (corner post and sandbox boards) to rest into. Dig the channel(s) to the same level depth. The bottom of the channel(s) should be level to each other so your frame doesn't teeter or rock because the channel(s) are uneven.
- Once you have removed enough grass and dirt, slide/push the frame into the channel(s). Place a level on the vertical and horizontal boards of the frame to determine if enough soil, or too much, was removed.
- Repeat this process until the basic frame is plumb and level and in its final position before completing the rest of the assembly.
- Measure to make sure fort is square.

**Important: if you require a channel depth of more than 6", then we recommend you have your play set area professionally graded before completing assembly.**

*Example Play area:*



The diagonal measurements should be the same from corner post to corner post. If not, adjust corner posts so that the distance is equal.

■ = Area to be scored and channeled for levelness

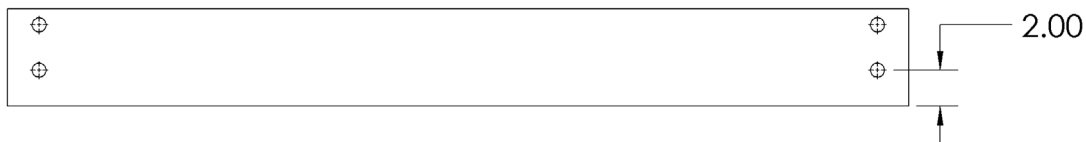
# General Info to Review Before Installation

- Depending on your experience, assembly of the playset can take as little as 6 hours up to 24 hours, depending on size, after inventory of parts; therefore, we recommend you set aside a full two days for assembly.
- Identify all of the parts for your play set. Empty each box and lay out boards so you can see each part. Your instruction book will have detailed drawings that will make it easy for you to recognize individual parts. Keep all hardware and metal parts separate from wooden pieces.
- After everything is laid out, check carefully to ensure all parts are present. Make sure there are no broken boards.
- Find an area to sort your hardware. It is best to open the hardware on a solid surface so that you do not lose any pieces in the grass. This will save time and familiarize you with all the different pieces in the hardware bag.
- Important note: Wood has some natural defects such as knots, surface cracks, etc... We reject parts that are structurally defective. We use a high quality lumber in our structures; however, you should inspect each part for splinters or rough spots and sand them smooth to prevent injury.
- After familiarizing yourself with all of the components, read all instructions thoroughly. Reading instructions after you have studied the parts will help you understand the installation process, and help to eliminate unnecessary mistakes.
- Pay close attention to the diameter and length of each bolt and screw.
- Never tighten hardware completely at first. It helps to have some adjustment for bolt alignment while you are attaching parts together. After everything is square, tighten each joint.
- After the main unit is assembled it is critical that the floor is level and square. If the main frame is not level, the walls and floor will be out of square.
- After you complete installation, make sure every bolt, screw, and nut is tight, and every board is secure. Wood will expand and contract with the seasons.
- Place the set on level ground, not less than 6 feet from any structure or obstruction such as a fence, garage, house, overhanging branches, laundry lines, or electrical wires.

**This page is a list of definitions and explanations used throughout our instructions to aid you in the assembly of your play set.**

**Offset Holes-** Throughout the installation procedures we will refer to parts with offset holes. This refers to the orientation of the holes on the board. An offset hole is one that is closer to one side than it is the other or in other words, it is not centered on the board. In the procedures you will be instructed to attach the boards with the holes offset up or with the holes offset down. This refers to which side of the board the hole/holes should be closer to. Offset holes up= hole/holes will be closer to the top of the board. Offset holes down= hole/holes will be closer to the bottom of the board. Note: some parts do not have offset holes, but instead the holes are on center. Therefore there will not be any reference on how to offset these parts.

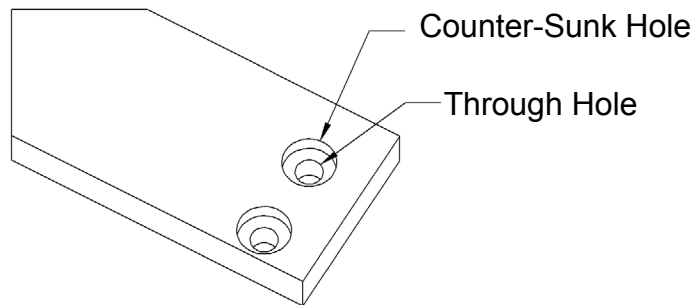
**EXAMPLE OF OFFSET HOLES UP**



**EXAMPLE OF OFFSET HOLES DOWN**



**Counter-sunk holes** - Many of the parts that will be used have counter-sunk holes. A counter-sunk hole is one that surrounds one side of a through hole, but does not extend through the wood it's self. When using a counter-sunk hole the bolt will be inserted through the through hole and either the head of the bolt and washer or nut and washer will occupy the counter sunk hole.

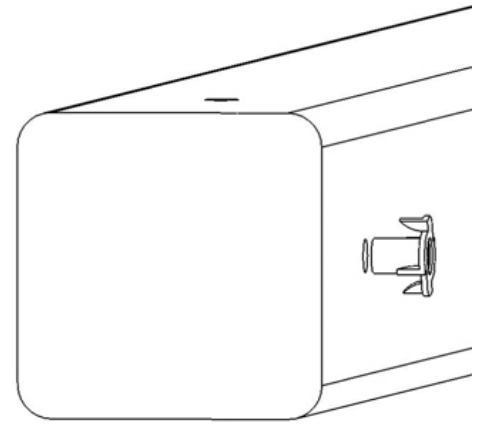
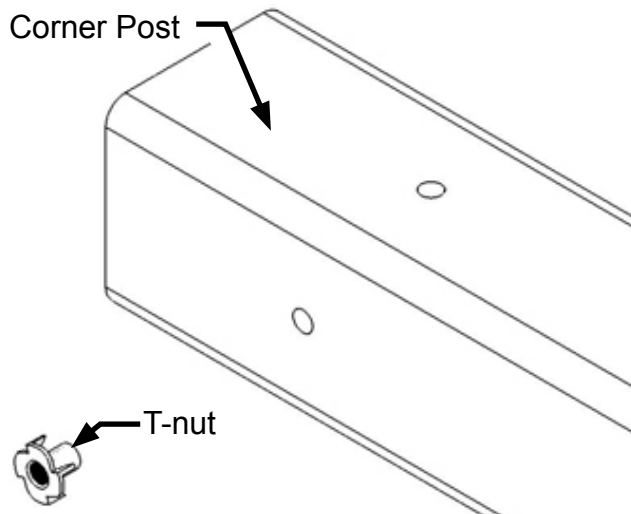


**Lag Screws-** Lag screws are used in the construction of our play sets to enhance the structural integrity of the unit. There will not be predrilled holes in the post for lag screw installation. Lag screws are self-tapping, though if you are using a manual socket wrench it may be advantageous to pre-drill a hole first. Instructions for this are provided on a separate page in the front of the manual. Be sure to tighten the lags completely when driving them in by hand. Power tools such as a heavy duty impact driver or large power drill should have enough torque to drive in the lag screws, but make sure not to over tighten as this can cause the threads to “strip out” in the post.



## Common Installation Practice Installing T-nuts

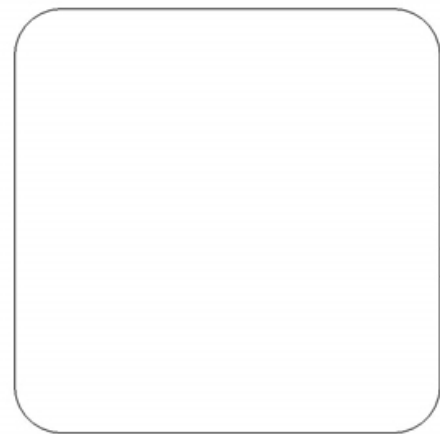
When installing T-nuts into the wood, use a smooth faced hammer to set the face of the T-nut flush into the wood.



Insert the barrel of the T-nut into the predrilled hole. Using a smooth faced hammer, drive the T-nut until the face of the T-nut is flush to the wood.

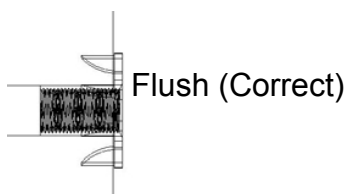


This picture shows the T-nut inserted and installed flush to the wood.



This picture shows an end view of the T-nut installed flush to the wood.

**WARNING: DO NOT EMBED THE TOP OF THE T-NUT INTO THE FACE OF THE WOOD**



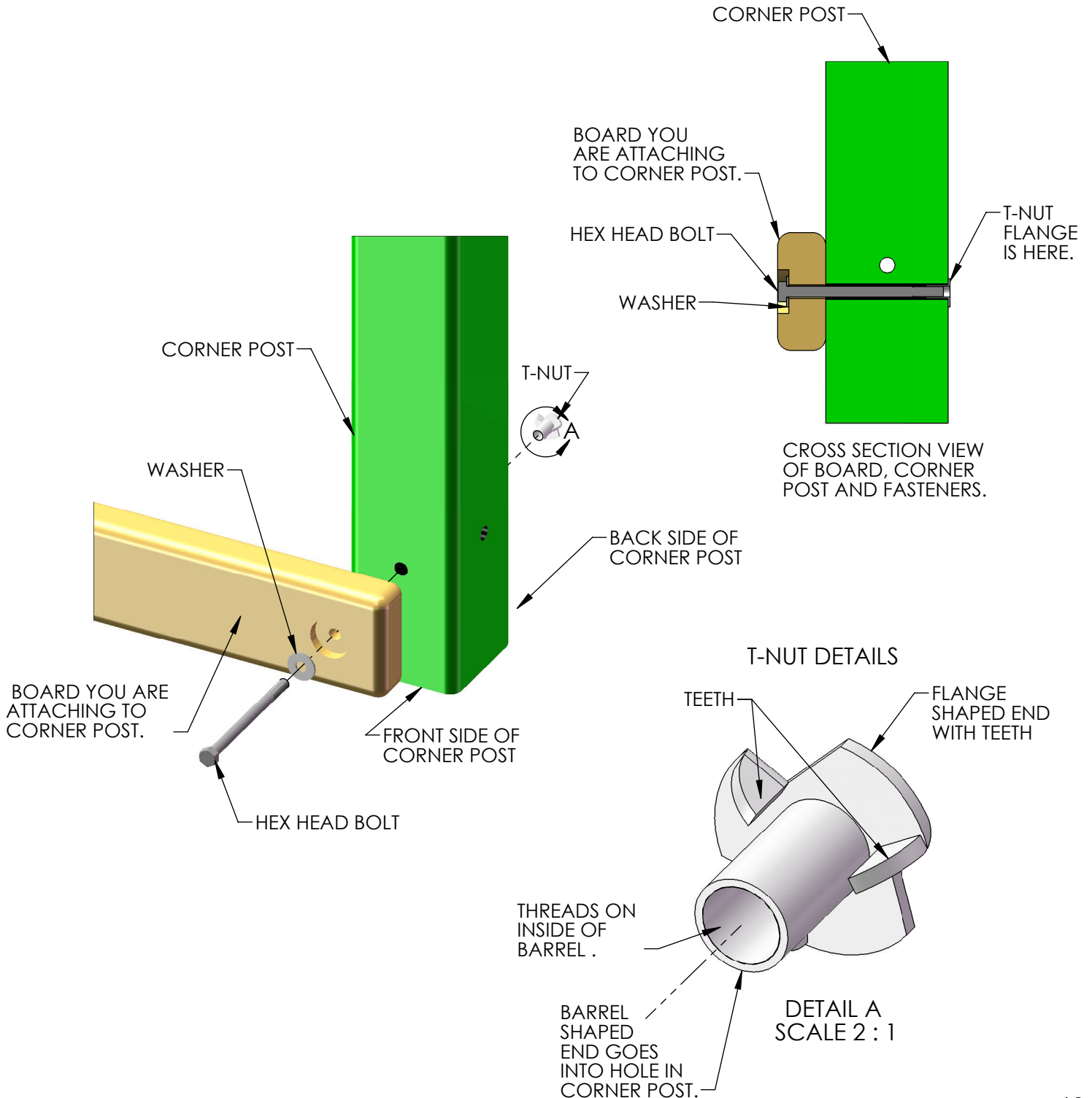
Cross Section end view, you are looking at an X-ray view of the post and T-nut. The barrel of the T-nut is in the corner post the line is the face of the wood.

# HOW A T-NUT WORKS

THE FIRST STEP IN OUR ASSEMBLY INSTRUCTIONS IS TO INSERT T-NUTS INTO THE CORNER POSTS. A T-NUT IS A FASTENER WHICH IS THREADED ON THE INSIDE AND IT FUNCTIONS JUST LIKE A STANDARD HEX NUT. YOU INSERT THE T-NUTS INTO THE PREDRILLED HOLES IN THE CORNER POSTS.

THE T-NUT HAS A BARREL SHAPED END WHICH GOES INTO THE HOLE IN THE CORNER POST. THE T-NUT ALSO HAS AN FLANGE SHAPED END WITH TEETH. THE TEETH PENETRATE INTO THE CORNER POST WOOD TO PREVENT THE T-NUT FROM SPINNING WHEN YOU TIGHTEN THE HEX HEAD BOLT.

SHOWN BELOW YOU WILL SEE THE T-NUT IS HAMMERED INTO THE CORNER POST ON THE BACK SIDE. THE BOARD IS BEING ATTACHED ON THE FRONT SIDE OF THE CORNER POST.



# BOARD IDENTIFICATION

1. On the end of each board there should be a small white tag that is stapled or stuck into place. Remove the staples and/or tag after the board is installed.
2. This white identification tag displays the thickness, width, length and an abbreviated description of the part.

Example: a tag reads "2-4-3600-BPB"

- The 2 is the thickness of the board. "Nominal Lumber" at a home center will measure 1-1/2" for the thickness. We "remill" that lumber to 1-3/8" thick.
- The 4 is the width of the board. "Nominal Lumber" at a home center will measure 3-1/2" for the width. We "remill" that lumber to 3-3/8" wide.  
Note: sometimes the width will be smaller than 3-3/8" because:  
A) We need the width of the part to fit into a certain area of the play set.  
B) We need the designation to be simple.
- The 3600 is the length of the board. It means the board is 36 inches long. If the code were 3625 then the board is 36-1/4" in length.
- The "BPB" abbreviation stands for "Bottom Panel Board". The wood part bill of materials in the instructions has a description which will match the abbreviation closely.
- In the event that there is no tag on a wood part measure the part then:  
A) Use the measurements and compare them to the wood list at the front of the instructions to identify it.  
B) Look at the holes on the wood part and compare them to the pictures in the wood list.  
C) Look to see if the holes are centered or if they are offset up or offset down.  
This should help you identify any parts that have missing tags. In the event that you cannot identify a board please email us for assistance.



# PRE-DRILL LAG SCREW DIRECTIONS

Pre-drilling holes for lag screws will make it easier to drive the screws in by hand. "Jobber" length drill bits are available in sizes that are longer than standard drill bits and those are ideal for the job. When using the drill bit you will have to "spot" drill the post and then remove the board you are attaching to finish drilling the hole.

Pay attention to the *DIAMETER* of the lag screw you are installing. Your playset may come with two different diameter lag screws. Each diameter will require a different size drill bit. When installing lag screws **DO NOT OVERTIGHTEN.**

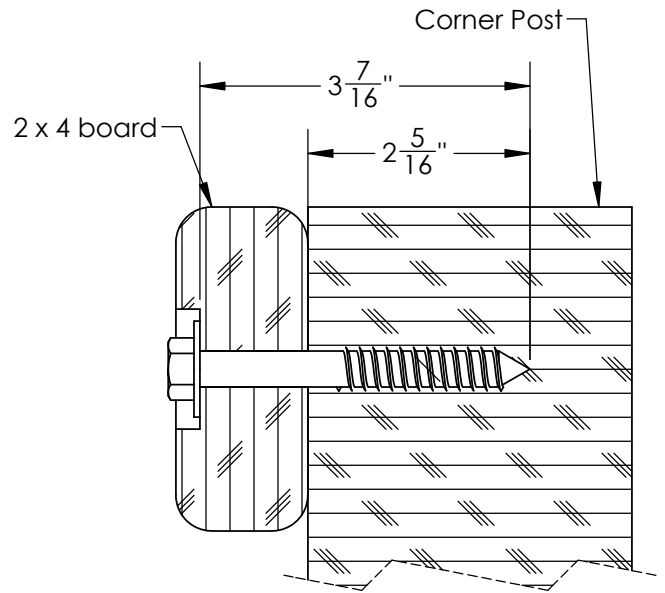
LAG SCREW DIAMETER	DRILL BIT SIZE
5/16" DIAMETER	9/64"
3/8" DIAMETER	11/64"

## Example: 3/8" diameter x 3-1/2" lag screw

This would be like the 2 x 4 board installation shown below. Place the board into position. Spot Drill through the holes in the 2 x 4 board into the corner posts with an 11/64" drill bit. Remove the 2 x 4 board. Continue to drill the holes to a total depth of 2-5/16" as shown at the right. Install the 2 x 4 board.

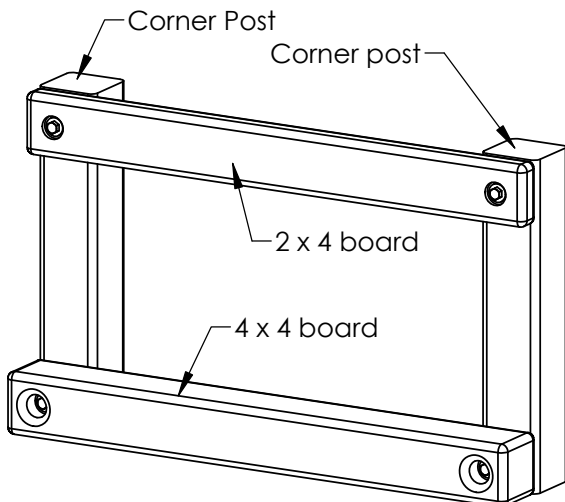
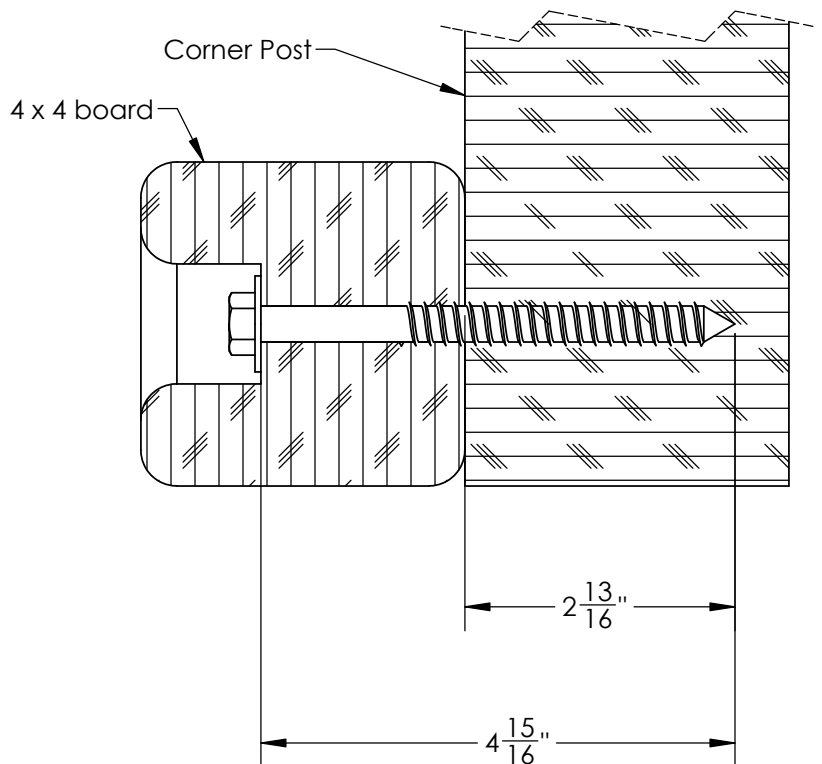
## Example 5/16" diameter x 3-1/2" lag screw

This would be like the 2 x 4 board installation shown below. Place the board into position. Spot Drill through the holes in the 2 x 4 board into the corner posts with an 9/64" drill bit. Remove the 2 x 4 board. Continue to drill the holes to a total depth of 2-5/16" as shown at the right. Install the 2 x 4 board.



## Example 3/8" diameter x 5" lag screw

This would be like the 4 x 4 board installation shown below. Place the board into position. Spot drill through the holes in the 4 x 4 board into the corner posts with an 11/64" drill bit. Remove the 4 x 4 board. Continue to drill the holes to a total depth of 2-13/16" as shown at the right. Install the 4 x 4 board.



# SWING BEAM LOADING

## Weight Limits for Accessories:

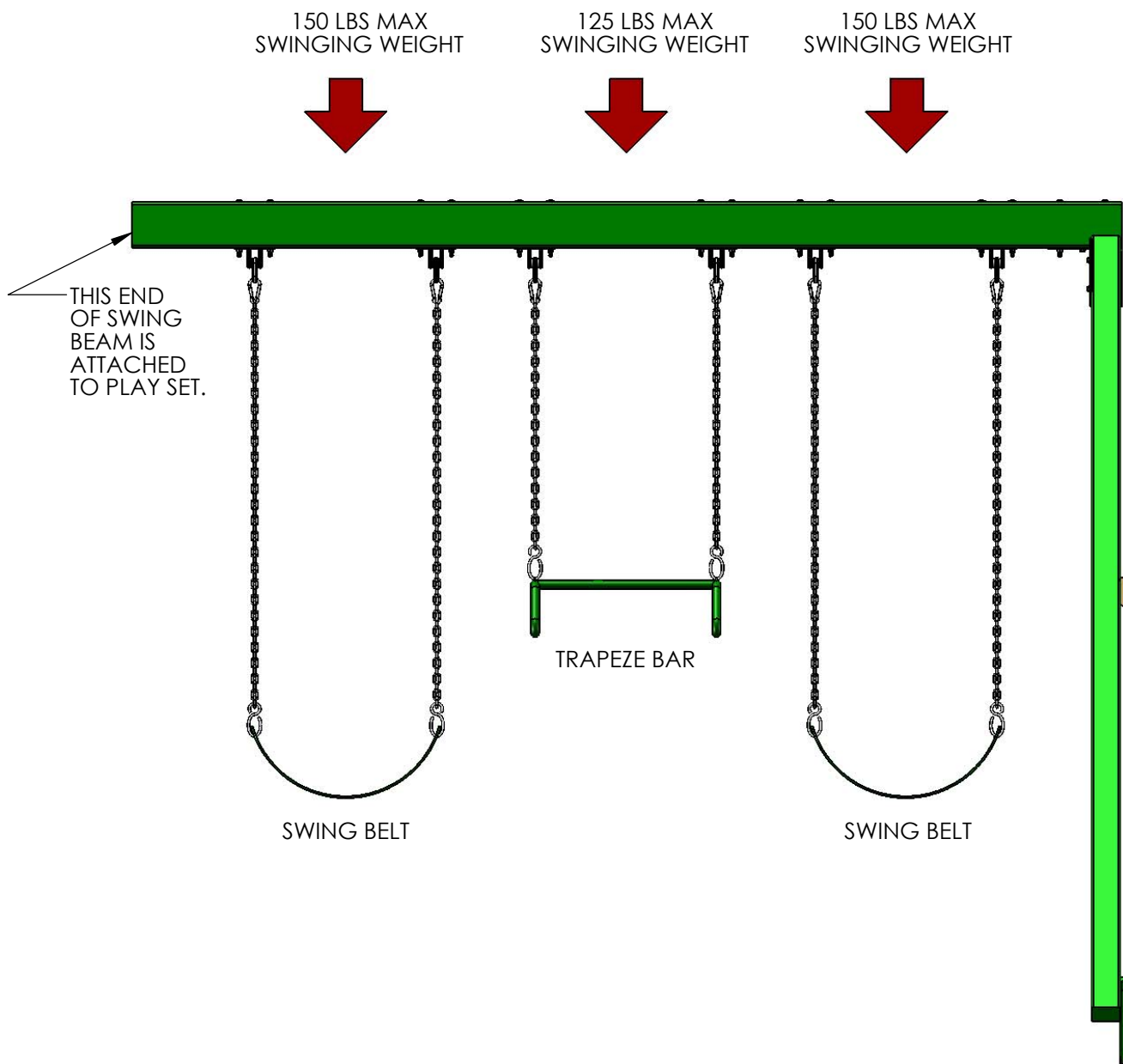
The weight limit for a Swing Belt is 225 lbs. (Although 150lbs is the maximum recommended swinging weight capacity for the swing position.)

The weight limit for a Trapeze Bar is 125 lbs.

## Maximum Allowable swinging weight for a three position swing:

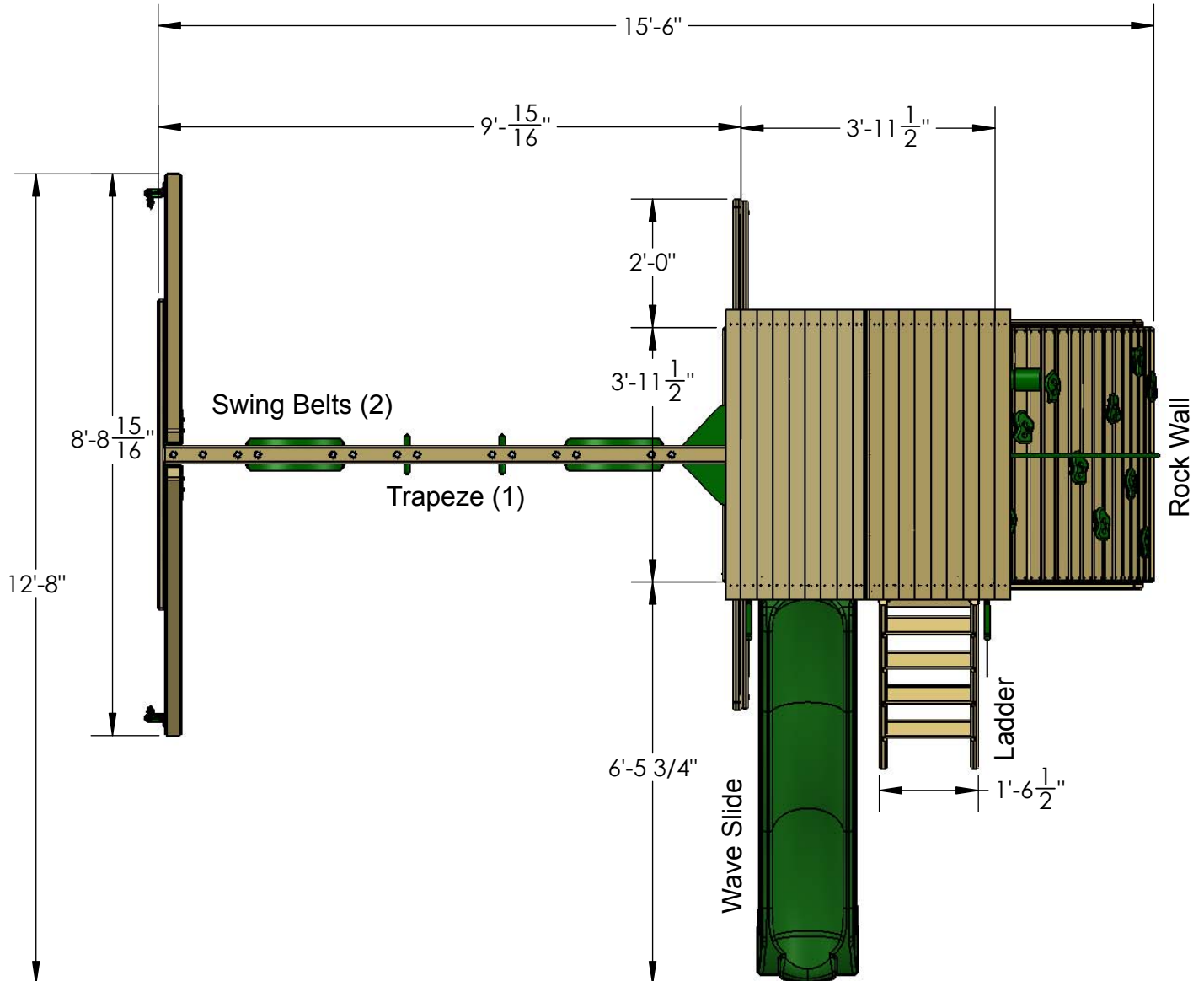
- 1) The maximum allowable swinging weight at each Swing Belt position is 150 lbs.
- 2) The maximum allowable swinging weight at the Trapeze position is 125 lbs.
- 3) The MAXIMUM SWING BEAM LOAD IS 425 lbs.

**MAXIMUM SWING BEAM LOAD IS 425 LBS.**



**Please familiarize yourself with the manual, parts/components and general construction process of your new playset before getting started.**

**SITE PLAN:**



Playset height: 10 feet - 2-3/4 inches

Deck height: 4 feet

Swing Beam height to top: 7 feet - 2-1/2 inches

Approximate assembly time: 8 to 10 hours

**(6) foot unobstructed safety perimeter around playset recommended**

## **REQUIRED TOOL LIST:**

- \_\_\_ Standard or Cordless Drill w/ Phillips Bit (#2 square bit provided)
- \_\_\_ Drill Bits 1/8", 3/8", 9/64", 11/64"
- \_\_\_ 1/2" Wrench and Socket
- \_\_\_ 1/2" Deep Well Socket
- \_\_\_ 9/16" Deep Well Socket
- \_\_\_ 9/16" Wrench and Socket
- \_\_\_ Level
- \_\_\_ Tape Measure
- \_\_\_ Extension Cord (if using standard drill)
- \_\_\_ Hammer
- \_\_\_ Pencil
- \_\_\_ Locking Pliers (Vise Grips)
- \_\_\_ Shovel

## **KIT CONTENTS**

### **Swings, Slides, Accessories:**

- \_\_\_ (Qty ) Description
- \_\_\_ (2) Swingbelt w/ Chains
- \_\_\_ (1) Trapeze Swing
- \_\_\_ (1) Wave Slide
- \_\_\_ (10) Rock Wall Grips (assorted colors)
- \_\_\_ (1) Telescope
- \_\_\_ (1) Steering Wheel
- \_\_\_ (2) Safety Handles
- \_\_\_ (2) Flag Kit
- \_\_\_ (4) Ground Stake
- \_\_\_ (1) Tic Tac Toe
- \_\_\_ (2) Plastic Dormer Window (07-0029-G)
- \_\_\_ (2) Plastic Sunburst (07-0028-G)

### **Fort Hardware:**

*see following pages*

### **Swing Beam Hardware:**

*see following pages*

### **Wood Components:**

*see following pages*

11-0057  
 2500 HARDWARE  
 PAGE 1 OF 2  
 REV B: 9/16/2015 JH

#14 X 1-1/4"  
 PAN HEAD SCREW  
 QTY: 3



#8 X 1-1/4"  
 WOOD SCREW  
 QTY: 2



#8 X 1-1/2"  
 WOOD SCREW  
 QTY: 10



#8 X 1-3/4"  
 WOOD SCREW  
 QTY: 4



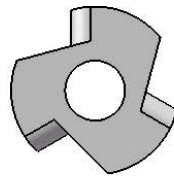
#8 X 2"  
 WOOD SCREW  
 QTY: 212



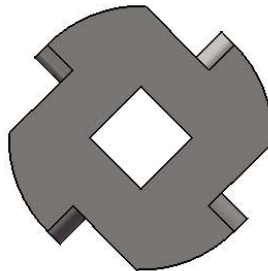
#8 X 2-1/2"  
 WOOD SCREW  
 QTY: 12



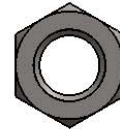
#8 X 3"  
 WOOD SCREW  
 QTY: 10



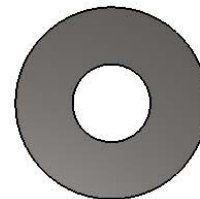
5/16" TEE NUT  
 QTY: 36



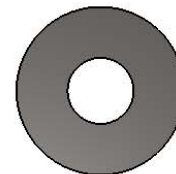
TORQUE WASHER  
 QTY: 17



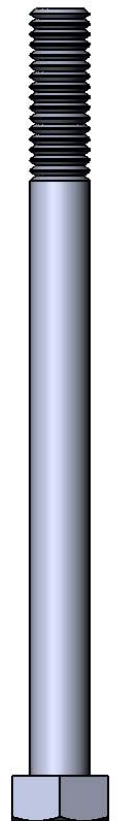
3/8" LOCK NUT  
 QTY: 19



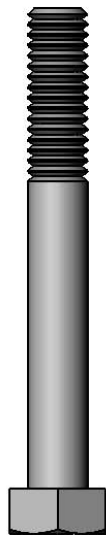
3/8" WASHER  
 QTY: 31



5/16" WASHER  
 QTY: 40



5/16" X 4"  
 HEX BOLT  
 QTY: 28



5/16" X 2-1/2"  
 HEX BOLT  
 QTY: 4



5/16" X 1-1/2"  
 HEX BOLT  
 QTY: 4



USE THE RULER TO THE RIGHT TO MEASURE YOUR BOLTS AND SCREWS. PICTURE VIEWS SHOWN ABOVE ARE 1:1 SCALE AND CAN BE USED TO MATCH BOLT AND SCREW SIZES.

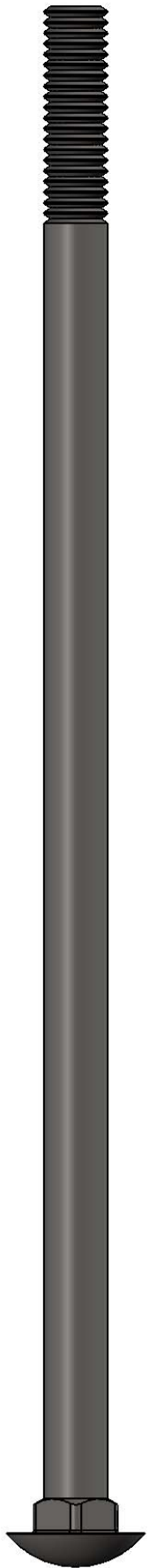


11-0057  
2500 HARDWARE  
PAGE 2 OF 2  
REV B: 9/16/2015 JH

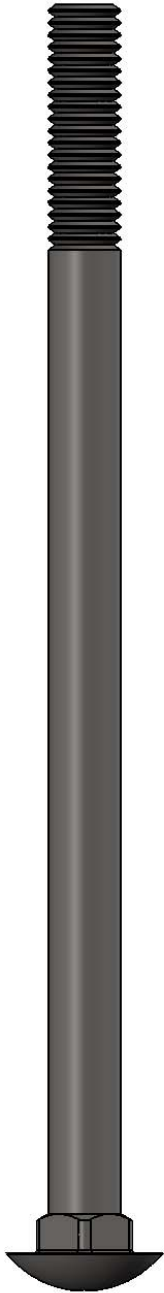
5/16" X 3-1/2"  
HEX LAG  
SCREW  
QTY: 4

3/8" X 2-1/2"  
HEX LAG  
SCREW  
QTY: 8

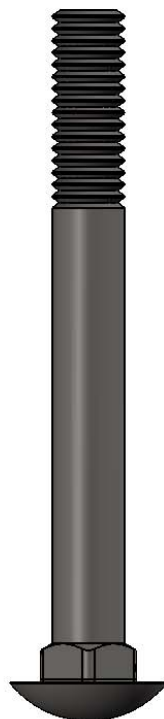
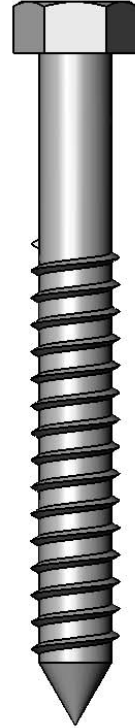
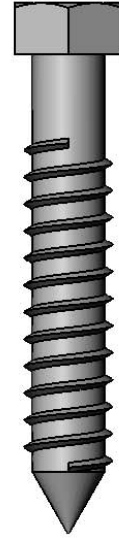
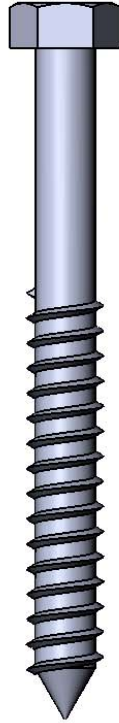
3/8" X 3-1/2"  
HEX LAG  
SCREW  
QTY: 4



3/8" X 9"  
CARRIAGE BOLT  
QTY: 1



3/8" X 6-1/2"  
CARRIAGE BOLT  
QTY: 16



3/8" X 3-1/2"  
CARRIAGE BOLT  
QTY: 2



#2 SQUARE  
DRIVE BIT  
QTY: 1



PLASTIC  
BOLT CAP  
QTY: 19



USE THE RULER TO THE RIGHT TO MEASURE YOUR BOLTS AND SCREWS. PICTURE VIEWS SHOWN ABOVE ARE 1:1 SCALE AND CAN BE USED TO MATCH BOLT AND SCREW SIZES.

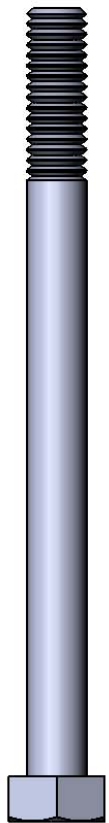
#8 X 1-1/2"  
WOOD SCREW  
QTY: 80



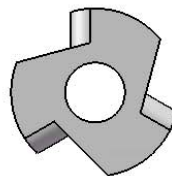
#8 X 2"  
WOOD SCREW  
QTY: 20



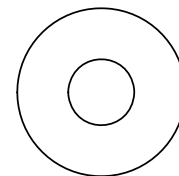
#8 X 2-1/2"  
WOOD SCREW  
QTY: 12



5/16" X 4"  
HEX BOLT  
QTY: 4



5/16" TEE NUT  
QTY: 4



5/16" WASHER  
QTY: 4

9

8

7

6

5

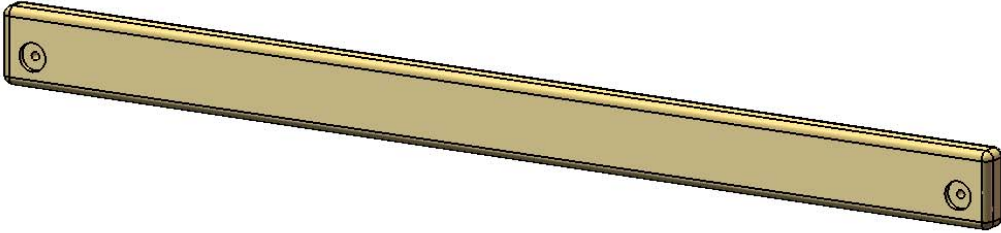
4

3

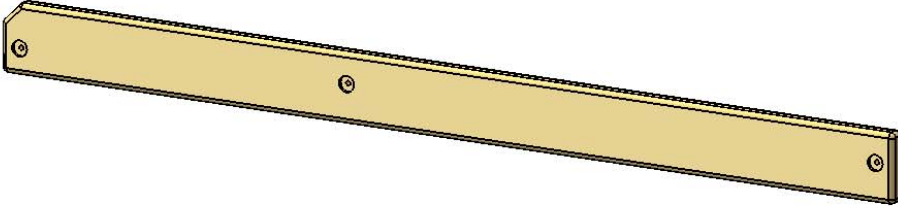
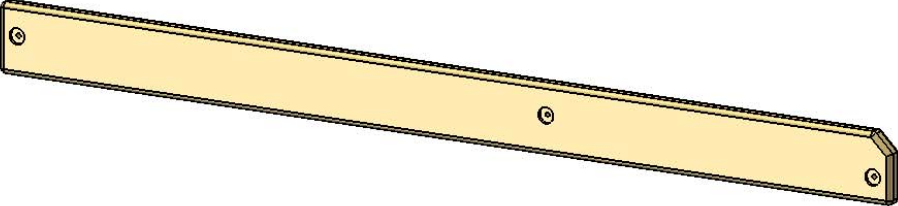
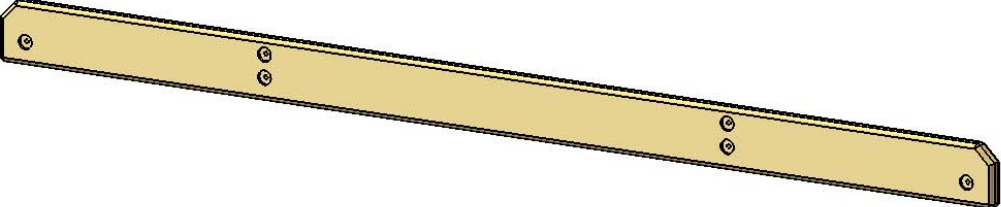
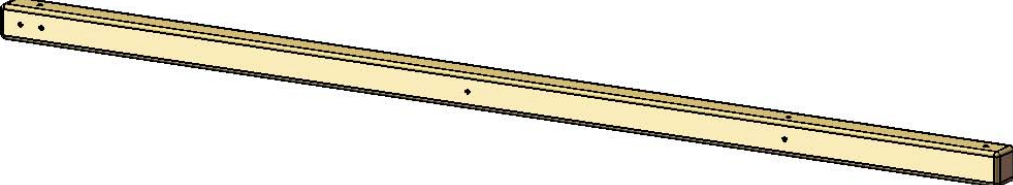
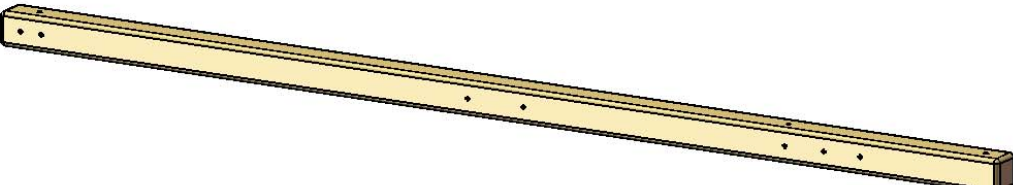
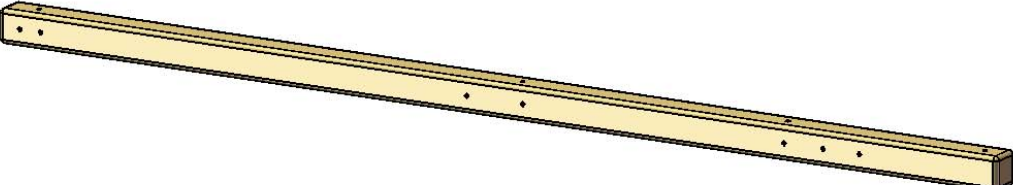
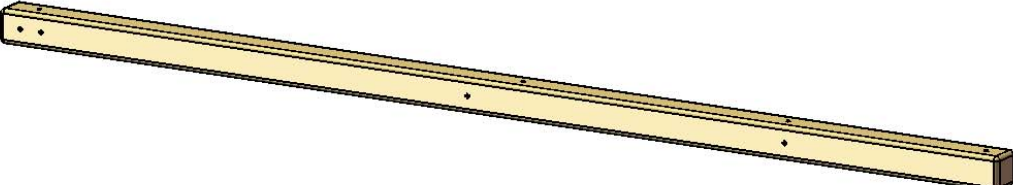
2

1

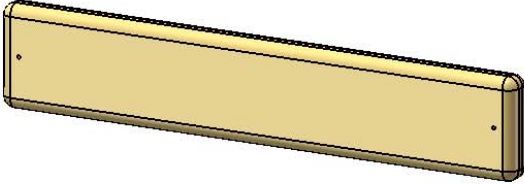
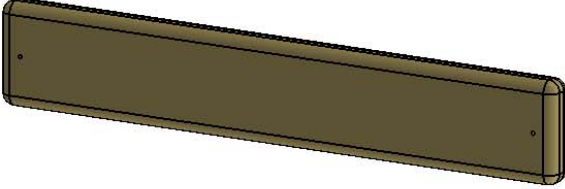
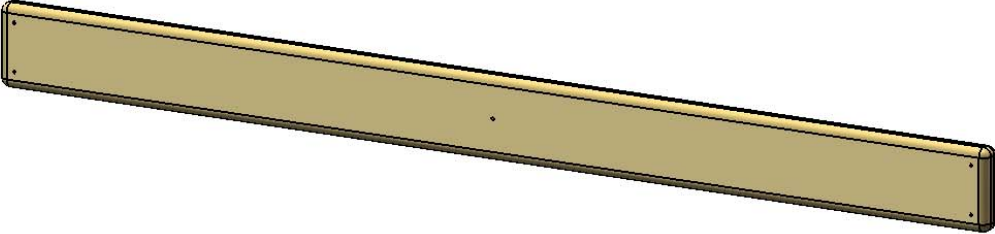
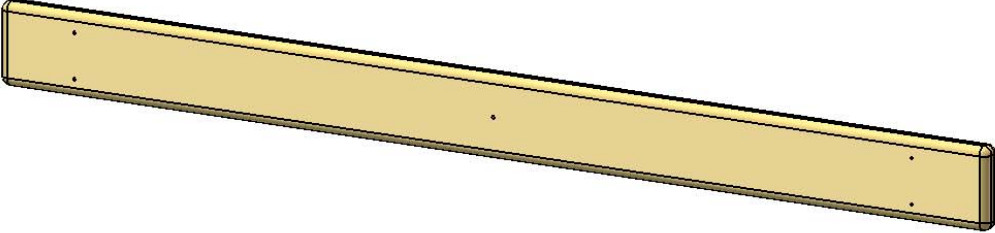
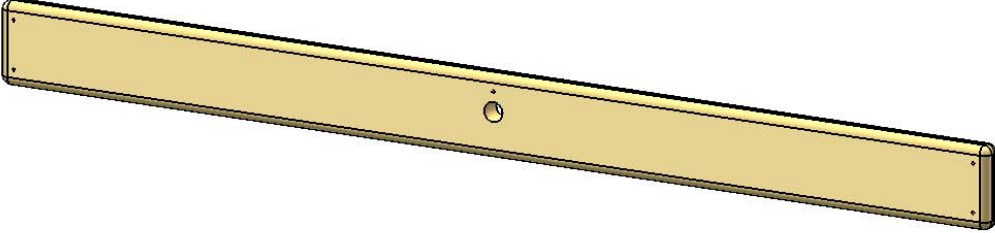
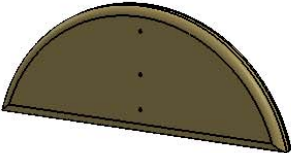
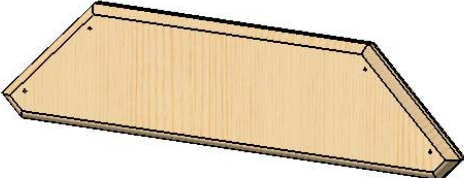
USE THE RULER TO THE RIGHT TO MEASURE YOUR BOLTS AND SCREWS. PICTURE VIEWS SHOWN ABOVE ARE 1:1 SCALE AND CAN BE USED TO MATCH BOLT AND SCREW SIZES.

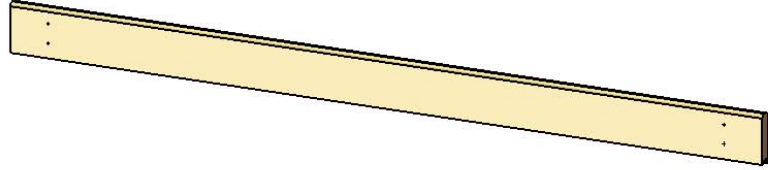
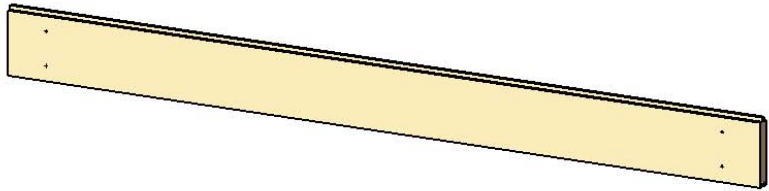
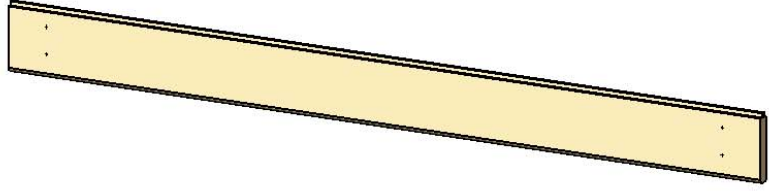
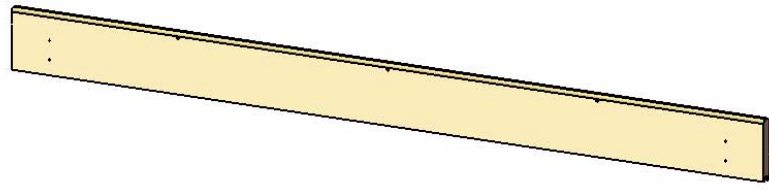
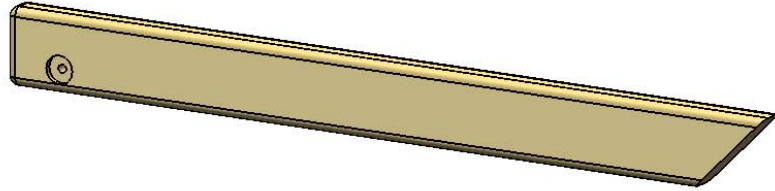
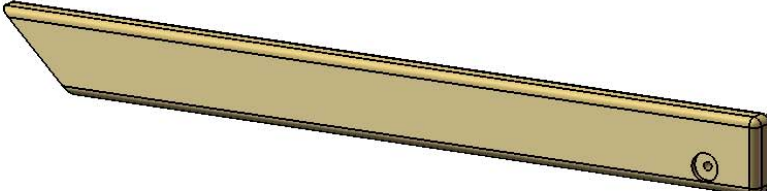
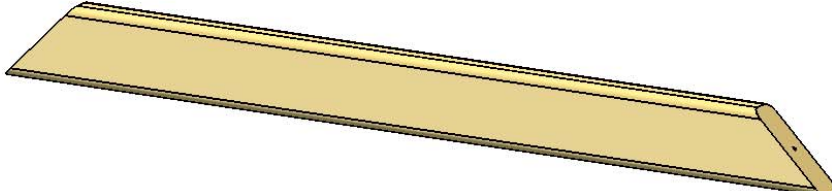
	PICTURE	DESCRIPTION	QTY.
<b>2500</b>		2 X 4 X 17" LADDER STEP <b>2-4-1700-LS</b>	<b>4</b>
		2 X 4 X 47" STRINGER <b>2-4-4700-S</b>	<b>1</b>
		2 X 4 X 47-1/2" FORT SIDE SUPPORT <b>2-4-4750-FSS</b>	<b>2</b>
		2 X 4 X 47-1/2" FRONT FACE BOARD <b>2-4-4750-FFB</b>	<b>1</b>
		2 X 4 X 47-1/2" PANEL AND DECK SUPPORT <b>2-4-4750-PDS</b>	<b>7</b>
		2 X 4 X 47-1/2" ROCK WALL ROPE SUPPORT <b>2-4-4750-RWRS</b>	<b>1</b>
		2 X 4 X 57" LADDER SIDE LEFT <b>2-4-5700-LSL</b>	<b>1</b>

PICTURE	DESCRIPTION	QTY.
	<p>2 X 4 X 57" LADDER SIDE RIGHT <b>2-4-5700-LSR</b></p>	<p><b>1</b></p>
	<p>2 X 4 X 58" SWING BEAM CROSS MEMBER <b>2-4-5800-SBCM</b></p>	<p><b>1</b></p>
	<p>2 X 6 X 47-1/2" END SANDBOX BOARD <b>2-6-4750-ESB</b></p>	<p><b>1</b></p>
	<p>2 X 6 X 47-1/2" ARCH FACE BOARD <b>2-6-4750-AFB</b></p>	<p><b>1</b></p>
	<p>2 X 6 X 50" ARCH ROCK WALL CENTER SUPPORT <b>2-6-5000- ARWCS</b></p>	<p><b>1</b></p>
	<p>2 X 6 X 53-1/2" ROCK WALL SUPPORT <b>2-6-5350-RWS</b></p>	<p><b>2</b></p>
	<p>2 X 6 X 53-15/16" ARCH ROCKWALL SIDE SUPPORT <b>2-6-5392-ARWSS</b></p>	<p><b>2</b></p>

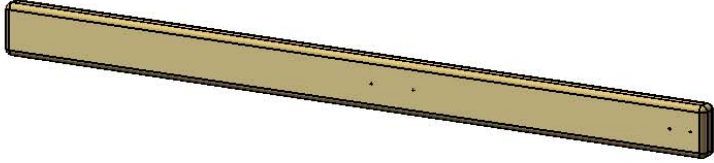
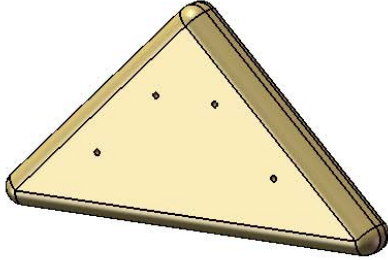
PICTURE	DESCRIPTION	QTY.
	<p>2 X 6 X 75" SIDE SANDBOX BOARD LEFT 2-6-7500-SSBL</p>	<p>1</p>
	<p>2 X 6 X 75" SIDE SANDBOX BOARD RIGHT 2-6-7500-SSBR</p>	<p>1</p>
	<p>2 X 6 X 95-1/2" END SANDBOX BOARD 2-6-9550-ESB</p>	<p>1</p>
	<p>3 X 3 X 96" CORNER POST 1 3-3-9600-CP1</p>	<p>1</p>
	<p>3 X 3 X 96" CORNER POST 2 3-3-9600-CP2</p>	<p>1</p>
	<p>3 X 3 X 96" CORNER POST 3 3-3-9600-CP3</p>	<p>1</p>
	<p>3 X 3 X 96" CORNER POST 4 3-3-9600-CP4</p>	<p>1</p>

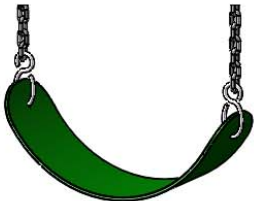

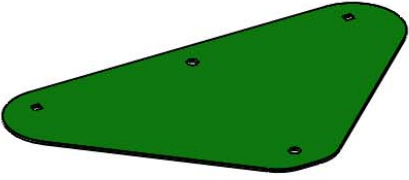
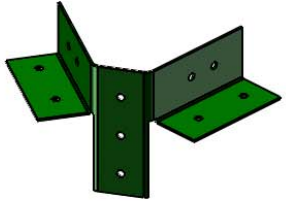
PICTURE	DESCRIPTION	QTY.
	3 X 3 X 96" SWING LEG <b>3-3-9600-SL</b>	<b>2</b>
	4 X 4 X 47-1/2" SWING BEAM MOUNT <b>4-4-4750-SBM</b>	<b>1</b>
	4 X 6 X 108" SWING BEAM <b>4-6-10800-SB</b>	<b>1</b>
	5/4 X 3 X 11-1/2" WINDOW PANEL BOARD <b>125-3-1150-WPB</b>	<b>4</b>
	5/4 X 3 X 17-1/2" TIC TAC TOE MOUNT <b>125-3-1750-TTM</b>	<b>2</b>
	5/4 X 3 X 28" PANEL SLAT <b>125-3-2800-PS</b>	<b>14</b>
	5/4 X 3 X 41-1/4" DECK SPACER <b>125-3-4125-DS</b>	<b>2</b>



PICTURE	DESCRIPTION	QTY.
	5/4 X 4 X 18-1/2" LADDER BACK <b>125-4-1850-LB</b>	<b>1</b>
	5/4 X 4 X 20" WINDOW PANEL BOARD <b>125-4-2000-WPB</b>	<b>4</b>
	5/4 X 4 X 47-1/2" ROCK WALL BOARD <b>125-4-4750-RWB</b>	<b>14</b>
	5/4 X 4 X 47-1/2" DECK BOARD <b>125-4-4750-DB</b>	<b>11</b>
	5/4 X 4 X 47-1/2" ROCK WALL BOARD BOTTOM <b>125-4-4750-RWBB</b>	<b>1</b>
 <div data-bbox="813 1602 964 1667" style="border: 1px solid black; padding: 2px; display: inline-block;">       NOT USED        DISCARD     </div>	5/4 X 6 X 13-5/8" SUN <b>125-6-1363-S</b>	<b>2</b>
	5/4 X 6 X 22" SANDBOX SEAT <b>125-6-2200-SS</b>	<b>2</b>

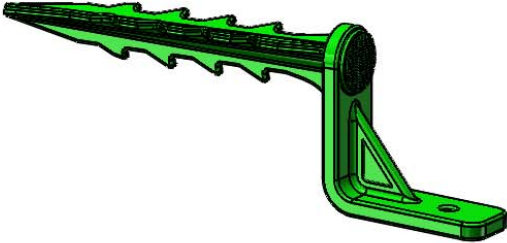



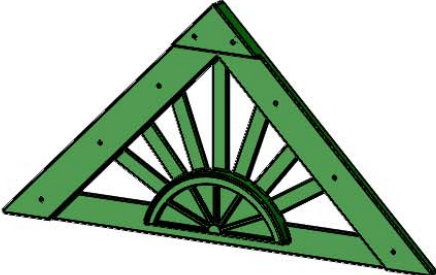
	PICTURE	DESCRIPTION	QTY.
<b>2507</b>		1 X 4 X 54-1/4" ROOF STARTER 1 <b>1-4-5425-RS1</b>	<b>1</b>
		1 X 5 X 54-1/4" ROOF BOARD <b>1-5-5425-RB</b>	<b>14</b>
		1 X 5 X 54-1/4" ROOF FINISHER <b>1-5-5425-RF</b>	<b>2</b>
		1 X 5 X 54-1/4" ROOF STARTER 2 <b>1-5-5425-RS2</b>	<b>1</b>
		2 X 4 X 36-3/8" ROOF SUPPORT LEFT <b>2-4-3638-RSL</b>	<b>1</b>
		2 X 4 X 36-3/8" ROOF SUPPORT RIGHT <b>2-4-3638-RSR</b>	<b>1</b>
		2 X 4 X 39-7/16" SUNBURST CLOSEOUT <b>2-4-3944-SC</b>	<b>1</b>



PICTURE	DESCRIPTION	QTY.
	<p>2 X 4 X 50-1/2" FRONT CENTER POST <b>2-4-5050-FCP</b></p>	<p><b>1</b></p>
	<p>5/4 X 6 X 10" ROOF PEAK SUPPORT <b>125-6-1000-RPS</b></p>	<p><b>2</b></p>
		<p>25</p>

PICTURE	DESCRIPTION	QTY.
	<p>WAVE SLIDE 03-0016-G</p>	<p>1</p>
	<p>10' ROPE (GREEN)</p>	<p>1</p>
	<p>SWING W/CHAINS 04-0002</p>	<p>2</p>
	<p>TRAPEZE BAR W/CHAINS 04-0006</p>	<p>1</p>
	<p>SWING PLATE 11-5002</p>	<p>1</p>
	<p>CLIMBING ROCKS (07-0008 IS A PACK OF 5)</p>	<p>10 ROCKS</p>
	<p>A-FRAME SWING LEG BRACKET 11-5010</p>	<p>1</p>

PICTURE	DESCRIPTION	QTY.
<p>HARDWARE BOXES: 2500, 2507</p>	<p>2500 11-0057</p> <p>2507 11-0082</p>	<p><b>1</b></p> <p><b>1</b></p>
	<p>IRON DUCTILE SWING HANGERS 11-4012</p>	<p><b>6</b></p>
	<p>TELESCOPE 07-0001</p>	<p><b>1</b></p>
	<p>90° GREEN BRACKET 11-5013</p>	<p><b>2</b></p>
	<p>SPRING CLIP 11-4003</p>	<p><b>6</b></p>
	<p>SAFETY HANDLES (PAIR) 07-0005</p>	<p><b>1PR</b></p>
	<p>FLAG KIT 09-1014</p>	<p><b>2</b></p>

PICTURE	DESCRIPTION	QTY.
(NOT SHOWN)	MANUFACTURER LOGO PLATE	<b>1</b>
	GROUND STAKE (PAIR) 07-0016-P	<b>2PR</b>
	TIC TAC TOE (UNASSEMBLED) 07-0010	<b>1</b>
	STEERING WHEEL 07-0004	<b>1</b>
	DORMER WINDOW 07-0029-G	<b>2</b>
	PLASTIC SUNBURST 07-0028-G	<b>2</b>
		28

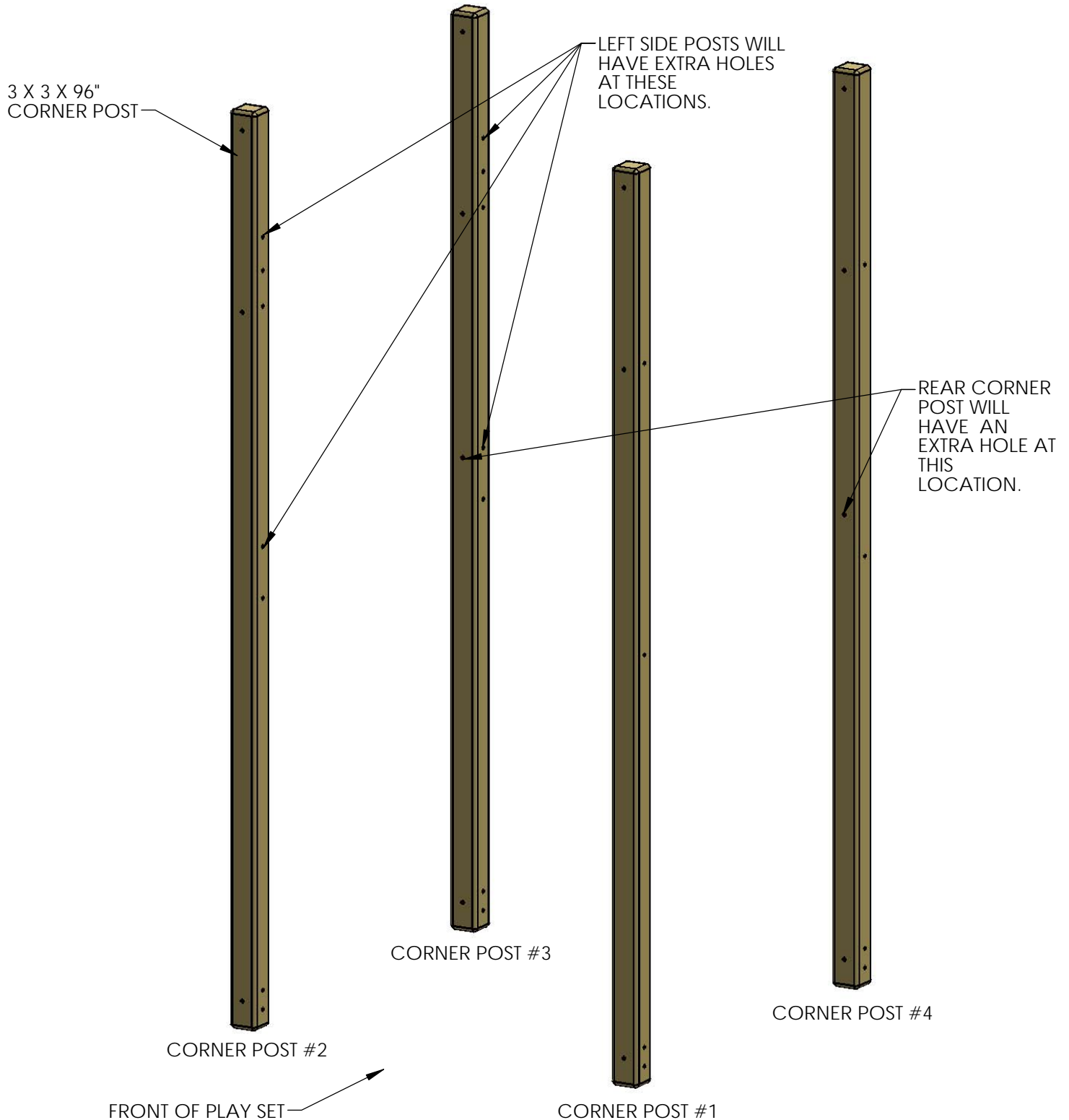
# STEP 1: CORNER POST LAYOUT

1: THIS STEP IS CRITICAL TO BUILDING THE FORT PROPERLY. IF ANY MISTAKES ARE MADE HERE, YOU WILL NEED TO DIS-ASSEMBLE AND THE RE-ASSEMBLE TO MAKE YOUR CORRECTIONS.

2: LAY OUT EACH OF THE 3 X 3 X 96" CORNER POSTS IN THE AREA YOU INTEND ON BUILDING THE FORT SIDE OF THE PLAYSET.

3: USE THE DIAGRAM BELOW TO CORRECTLY IDENTIFY AND ORIENT THE NECESSARY DIRECTION THE POSTS SHOULD FACE.

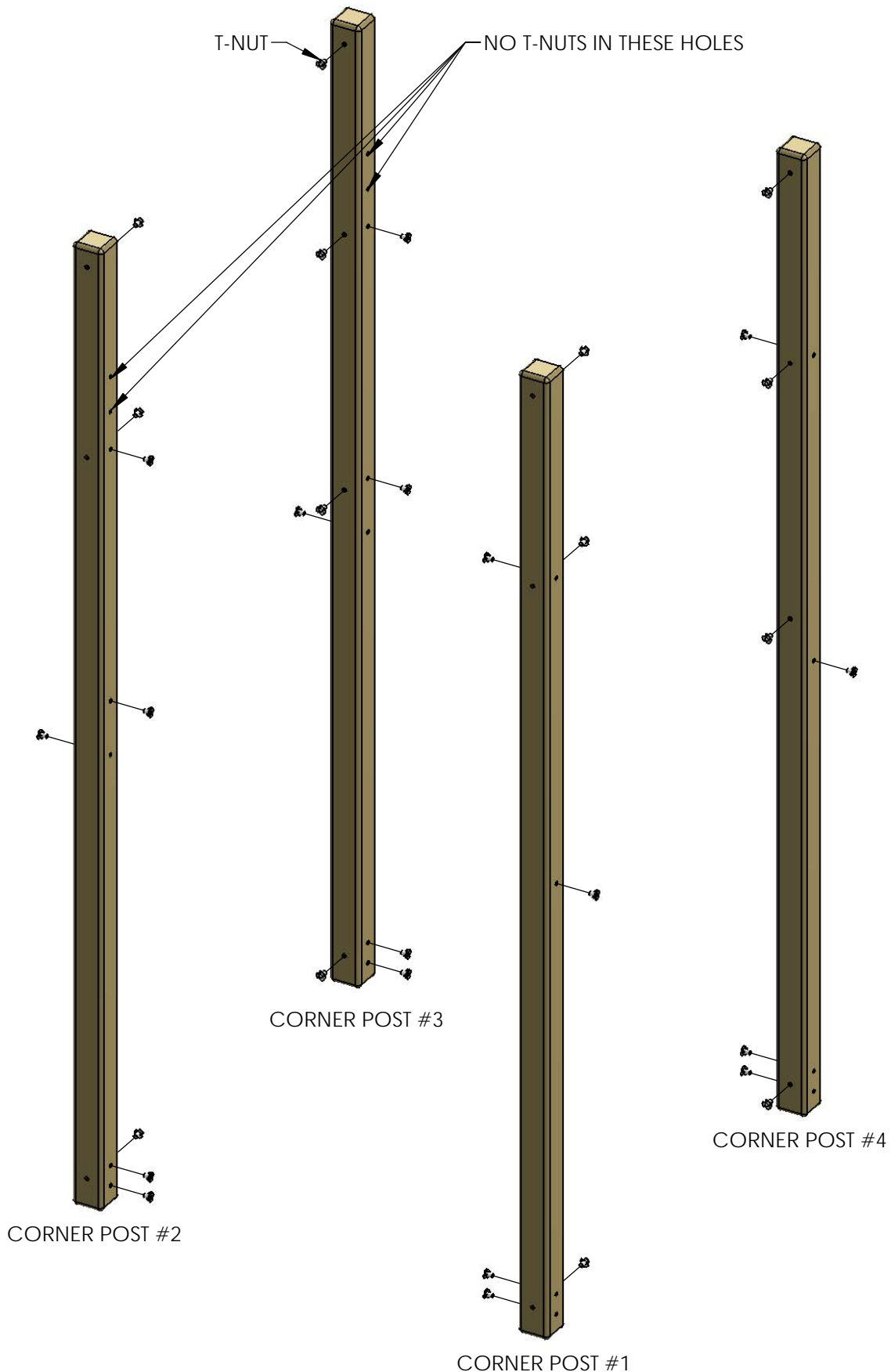
NOTE: THE LADDER SIDE IS CONSIDERED THE FRONT OF THE PLAYSET WITH THE SWINGBEAM EXTENDING OFF TO THE LEFT SIDE.



# STEP 2: INSERTING T-NUTS INTO CORNER POSTS

1: USE A HAMMER TO SEAT THE T-NUTS AFTER INSERTING THEM INTO THE HOLES SHOWN IN THE DIAGRAM BELOW.

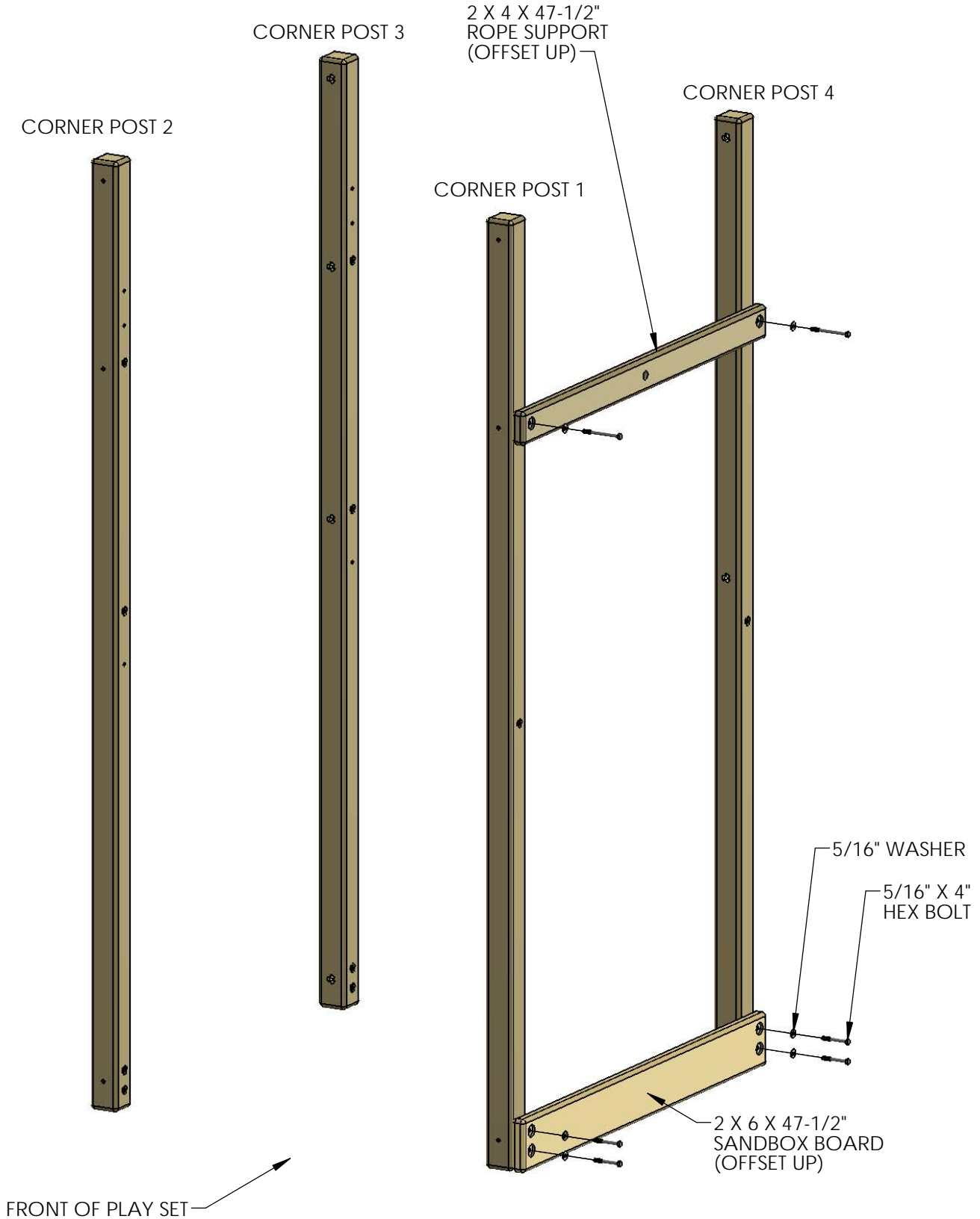
2: THE BARREL OF THE T-NUT SHOULD GO IN THE HOLE FIRST. HAMMER THE T-NUT UNTIL IS FLUSH/ALMOST FLUSH TO THE CORNER POSTS.



# STEP 3: ATTACHING SANDBOX BOARD AND ROPE SUPPORT

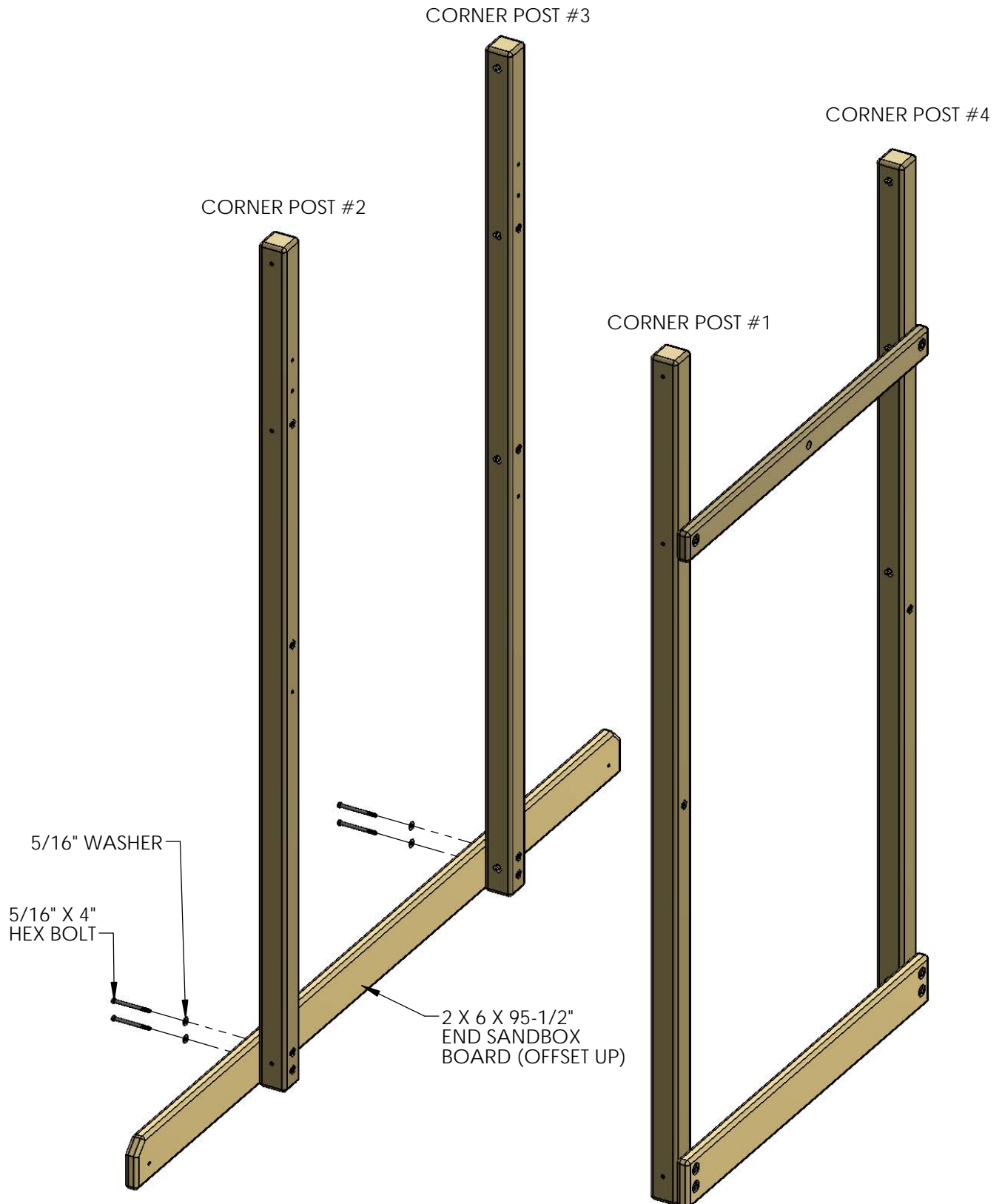
1: THE 2 X 6 X 47-1/2" SANDBOX BOARD (WITH FOUR PRE-DRILLED HOLES) ATTACHES TO THE BOTTOM OF THE RIGHT SIDE CORNER POSTS WITH 5/16" X 4" HEX BOLTS AND 5/16" WASHERS OFFSET UP.

2: THE 2 X 4 X 47-1/2" ROPE SUPPORT (WITH THREE PRE-DRILLED HOLES) ATTACHES TO THE TOP SET OF HOLES ON THE RIGHT SIDE OF THE CORNER POSTS, OFFSET UP, WITH 5/16" X 4" HEX BOLTS AND 5/16" WASHERS.



## STEP 4: ATTACHING END SANDBOX BOARD

1: THE 2 X 6 X 95-1/2" END SANDBOX BOARD (WITH 6 PREDRILLED HOLES) ATTACHES TO THE BOTTOM OF THE LEFT SIDE CORNER POSTS OFFSET UP WITH 5/16" X 4" HEX BOLTS AND 5/16" WASHERS.

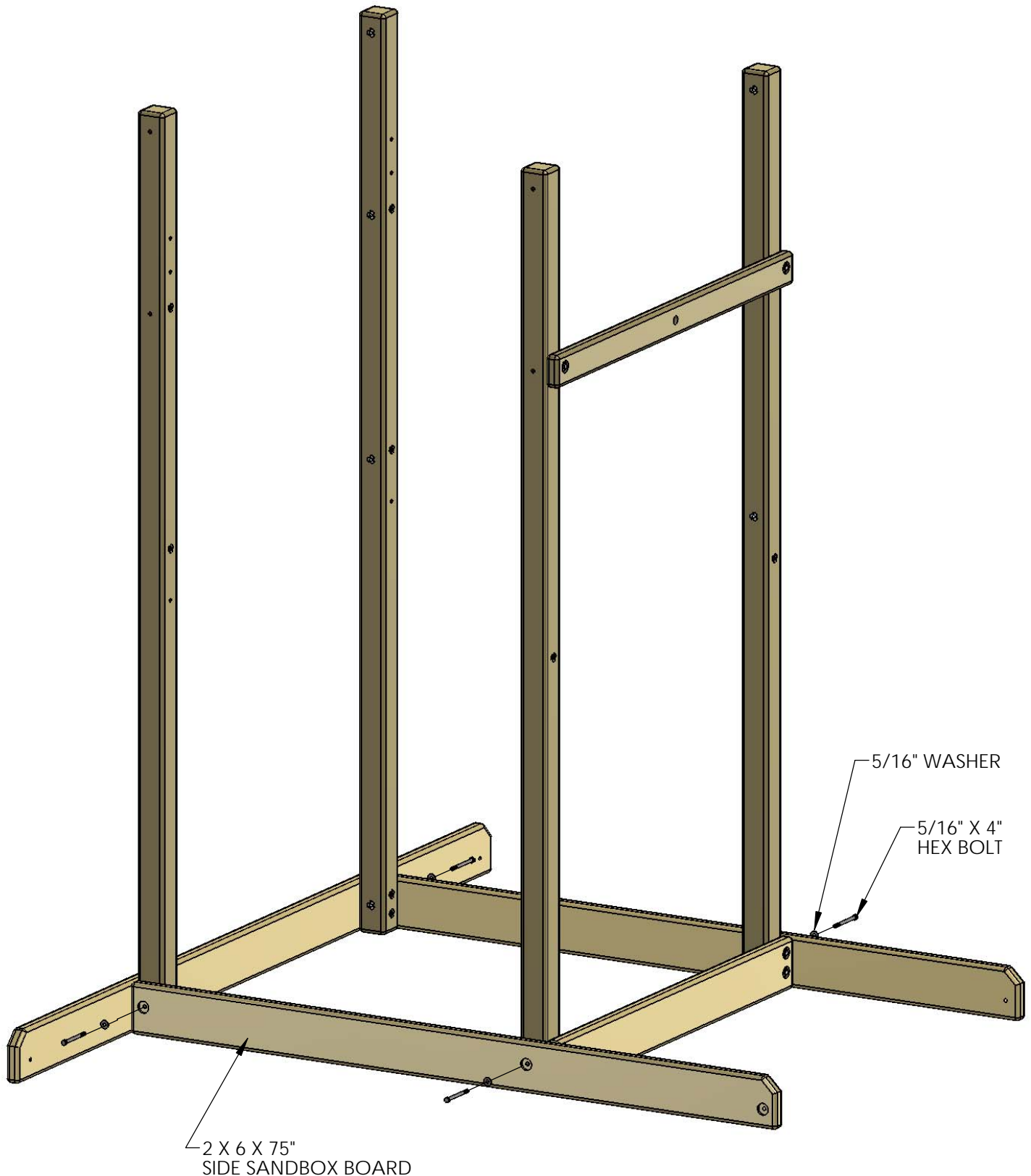




## STEP 5: ATTACHING THE SIDE SANDBOX BOARDS

1: THE 2 X 6 X 75" SIDE SANDBOX BOARDS (WITH THREE PRE-DRILLED HOLES) ATTACHES TO THE BOTTOM OF THE FRONT AND REAR CORNER POSTS WITH 5/16" X 4" HEX BOLTS AND 5/16" WASHERS.

2: THE STRUCTURE SHOULD BE ABLE TO STAND ON ITS OWN WITHOUT ANY SUPPORT AT THIS STAGE.

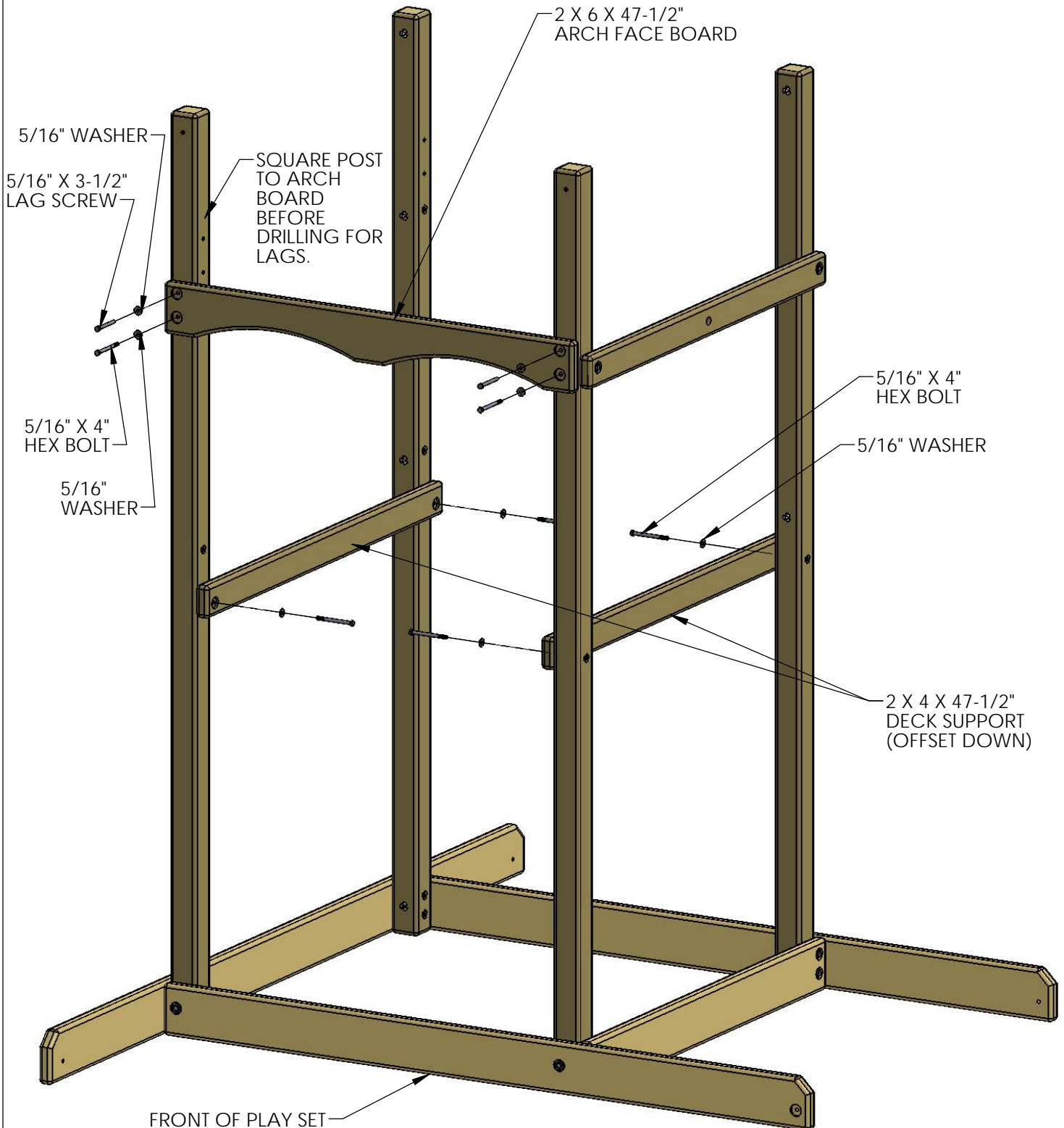


## STEP 6: ATTACHING ARCH FACE BOARD AND DECK SUPPORTS

1: THE 2 X 6 X 47-1/2" ARCH FACE BOARD (WITH FOUR PRE-DRILLED HOLES) ATTACHES TO THE SET OF HOLES BELOW THE TOP MOST HOLES. ATTACH THE BOTTOM ARCH FACE BOARD HOLES USING 5/16" X 4" HEX BOLTS AND 5/16" WASHERS. SQUARE THE ARCH FACE BOARD TO THE CORNER POSTS. PREDRILL 9/64" HOLES 2-1/2" DEEP THROUGH THE TOP HOLES INTO THE CORNER POSTS. ATTACH THE TOP ARCH FACE BOARD HOLES USING 5/16" X 3-1/2" LAG SCREWS AND 5/16" WASHERS.

2: THE 2 X 4 X 47-1/2" DECK SUPPORT BOARDS (WITH TWO PRE-DRILLED HOLES) ATTACH TO THE SET OF HOLES ABOVE THE SANDBOX BOARD AND THE END SANDBOX BOARD ON THE INSIDE OF THE LEFT AND RIGHT SIDE OF THE CORNER POSTS WITH 5/16" X 4" HEX BOLTS AND 5/16" WASHERS.

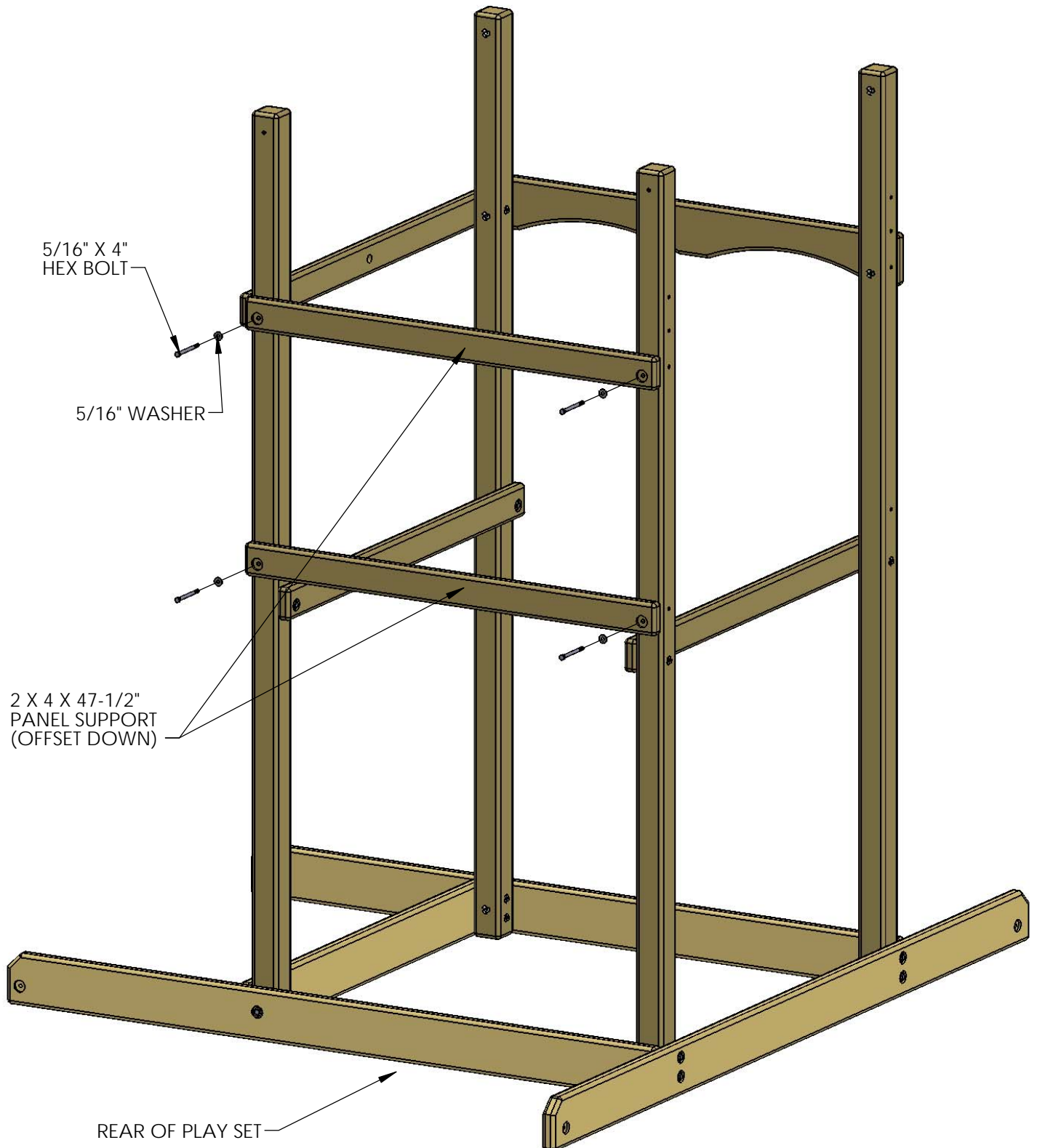
**HOLES SHOULD BE OFFSET DOWN ON BOTH DECK SUPPORT BOARDS.**



## STEP 7: ATTACHING PANEL SUPPORT BOARDS AT REAR

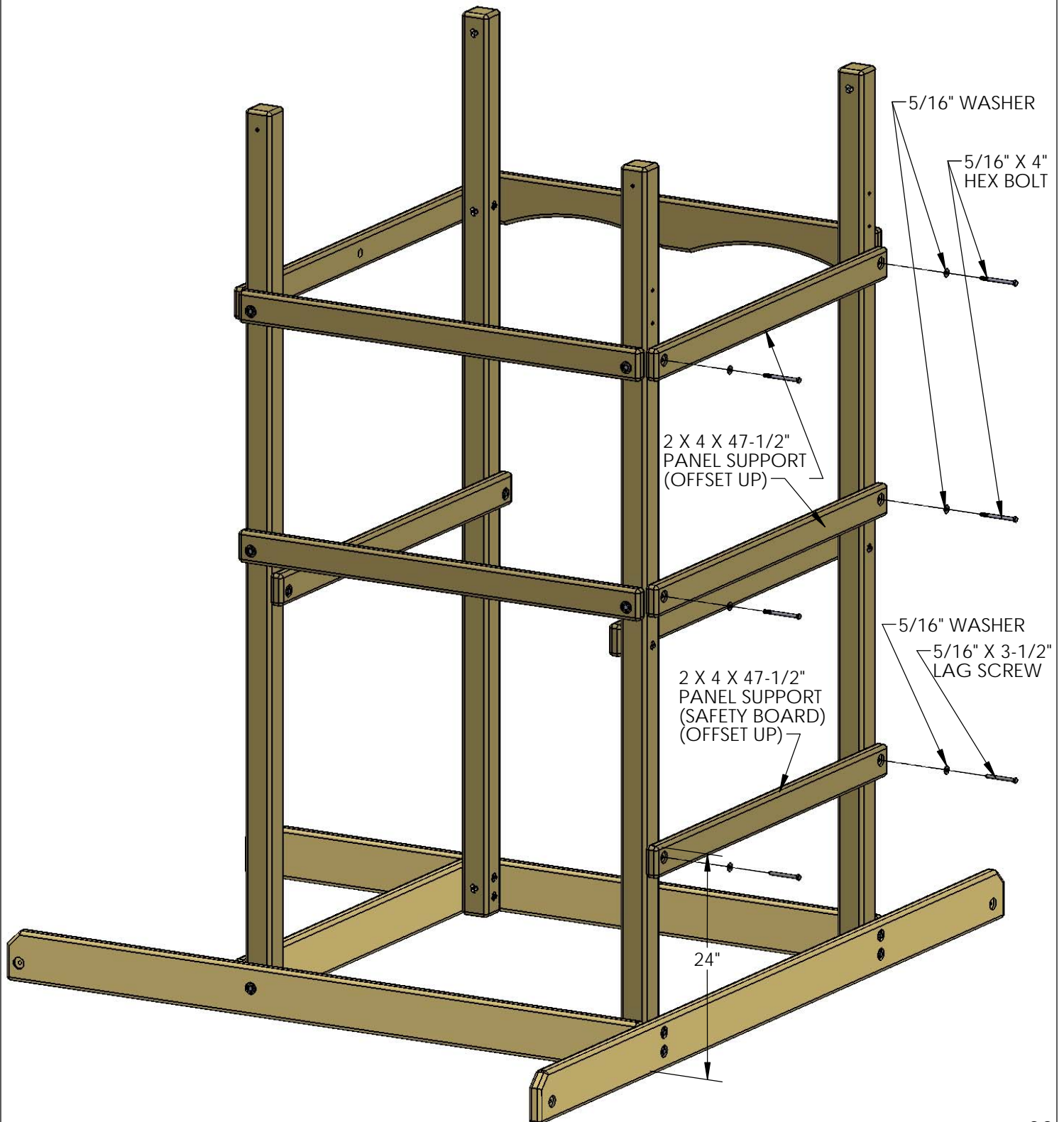
1: THE 2 X 4 X 47-1/2" PANEL SUPPORT BOARDS (WITH TWO PRE-DRILLED HOLES) ATTACH TO THE SET OF HOLES BELOW THE TOP MOST HOLES ON THE REAR OF THE FORT WITH 5/16" X 4" HEX BOLTS AND 5/16" WASHERS.

**HOLES SHOULD BE OFFSET DOWN ON BOTH PANEL SUPPORT BOARDS.**



## STEP 8: ATTACHING PANEL SUPPORTS AND SAFETY BOARD

- 1: THE 2 X 4 X 47-1/2" PANEL SUPPORTS SHOULD HAVE THE HOLES OFFSET UP. USE 5/16" X 4" HEX BOLTS AND 5/16" WASHERS TO SECURE THE BOARDS TO THE CORNER POSTS.
- 2: PLACE THE TOP OF THE PANEL SUPPORT (USED AS SAFETY BOARD) 24" FROM THE BOTTOM OF THE 2 X 6 BOARD.
- 3: FASTEN THE SAFETY BOARD TO THE CORNER POSTS WITH 5/16" X 3-1/2" LAG SCREWS AND 5/16" WASHERS.

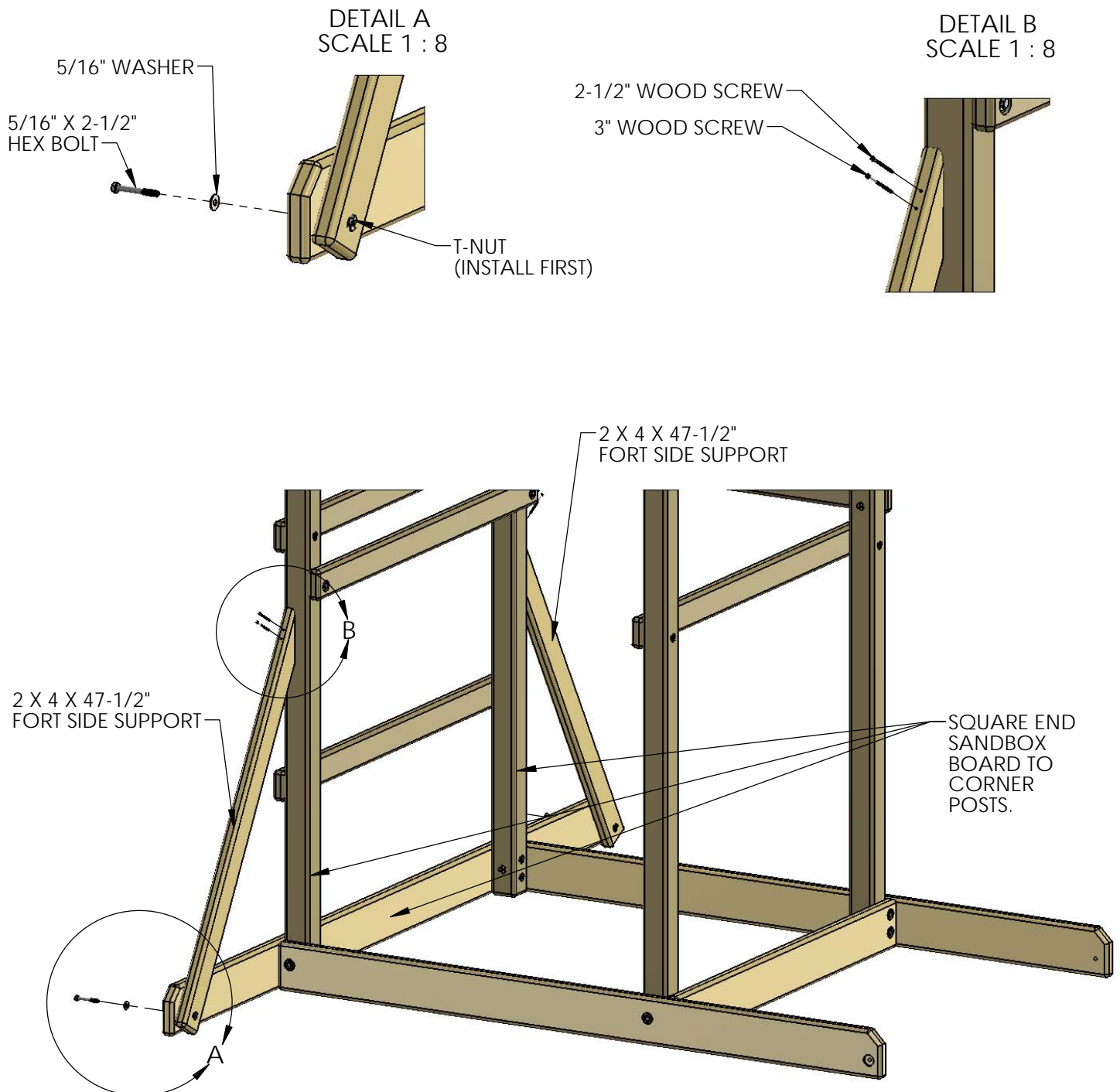


## STEP 9: ATTACHING FORT SIDE SUPPORTS

1: LAY THE 2 X 4 X 47-1/2" FORT SIDE SUPPORTS ON A FLAT SURFACE WITH THE ANGLED ENDS ORIENTED THE WAY THEY WILL BE INSTALLED ONTO THE FORT. PLACE A T-NUT IN THE PRE-DRILLED HOLE ON THE END AND SECURE WITH HAMMER.

2: THE 2 X 4 X 47-1/2" FORT SIDE SUPPORT (WITH ANGLED ENDS) ATTACHES TO THE HOLES ON THE END OF THE END SANDBOX BOARD ON THE INSIDE WITH 5/16" X 2-1/2" HEX BOLTS AND 5/16" WASHERS. THE ANGLED END SHOULD REST FLUSH AGAINST THE CORNER POST. SEE DETAIL A AND DETAIL B.

3: ENSURE THAT THE TWO FORT SIDE SUPPORTS ARE ATTACHED PROPERLY TO THE END SANDBOX BOARD BEFORE SECURING THEM TO THE CORNER POSTS. SQUARE THE 2 X 6 END SANDBOX BOARD TO THE CORNER POSTS. USE A 2-1/2" WOOD SCREW IN THE TOP HOLE OF THE FORT SIDE SUPPORT, THEN USE A 3" WOOD SCREW IN THE BOTTOM HOLE OF THE FORT SIDE SUPPORT. SEE DETAIL B.

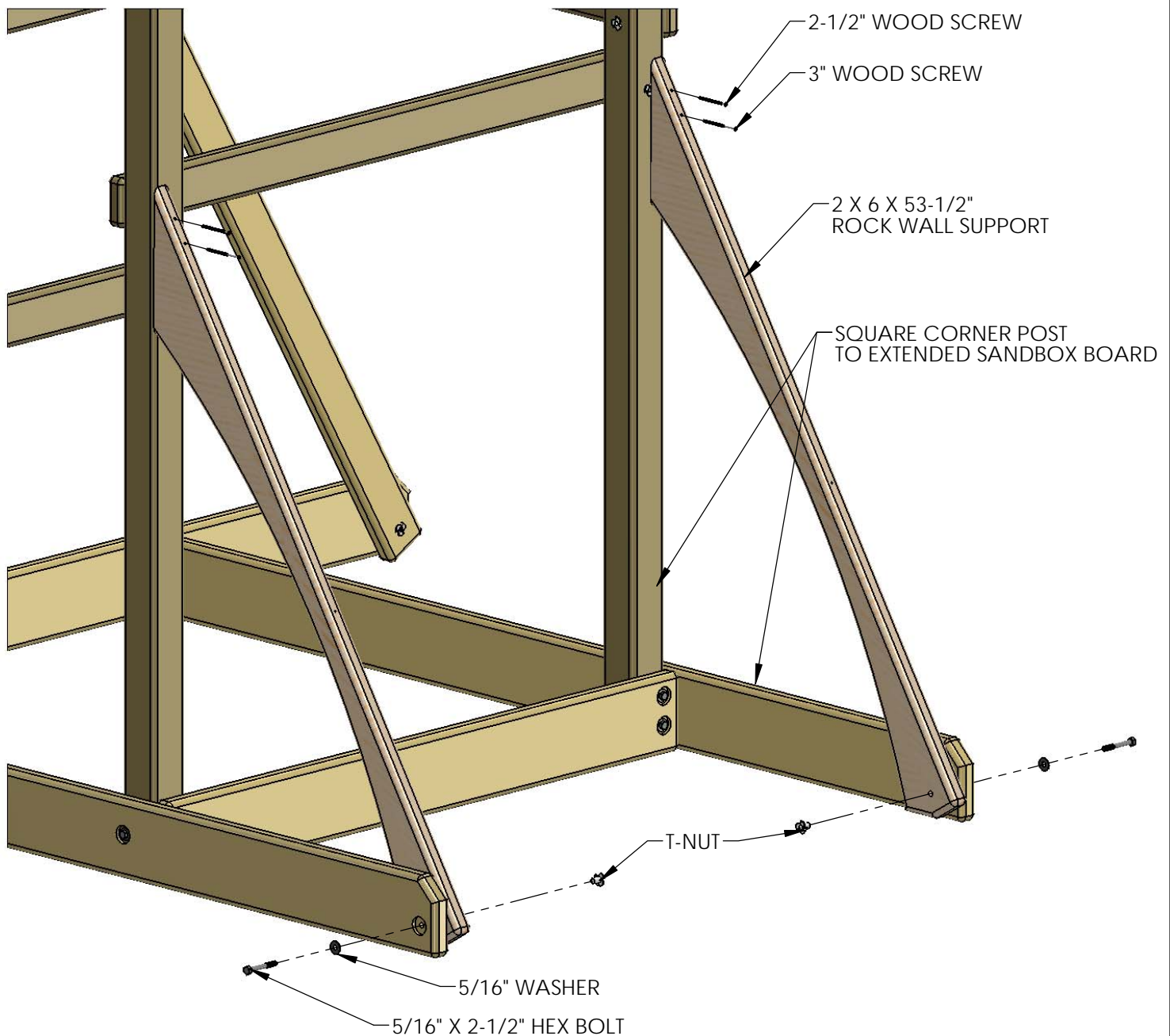


## STEP 10: ATTACHING THE ROCK WALL SUPPORTS

1: LAY THE 2 X 6 X 53-1/2" ROCK WALL SUPPORTS ON A FLAT SURFACE WITH THE ANGLED ENDS ORIENTED THE WAY THEY WILL BE INSTALLED ONTO THE PLAY SET. PLACE A T-NUT INTO THE PRE-DRILLED HOLE ON THE END AND SECURE WITH A HAMMER.

2: LINE UP THE HOLE IN THE BOTTOM OF EACH 2 X 6 X 53-1/2" ROCK WALL SUPPORT TO THE HOLE ON THE END OF EACH EXTENDED SANDBOX BOARD. ATTACH EACH ROCK WALL SUPPORT TO THE EXTENDED SANDBOX BOARD WITH 5/16" X 2-1/2" HEX BOLTS AND 5/16" WASHERS. THE ANGLED END OF EACH ROCK WALL SUPPORT SHOULD REST FLUSH AGAINST THE CORNER POST.

3: ENSURE THAT THE TWO ROCKWALL SUPPORTS ARE ATTACHED PROPERLY TO THE SANDBOX BOARDS BEFORE SECURING THEM TO THE CORNER POSTS. SQUARE THE EXTENDED SANDBOX BOARDS TO THE CORNER POSTS. USE A 2-1/2" WOOD SCREW IN THE TOP HOLE AND A 3" WOOD SCREW IN THE BOTTOM HOLE OF THE ROCK WALL SUPPORT.

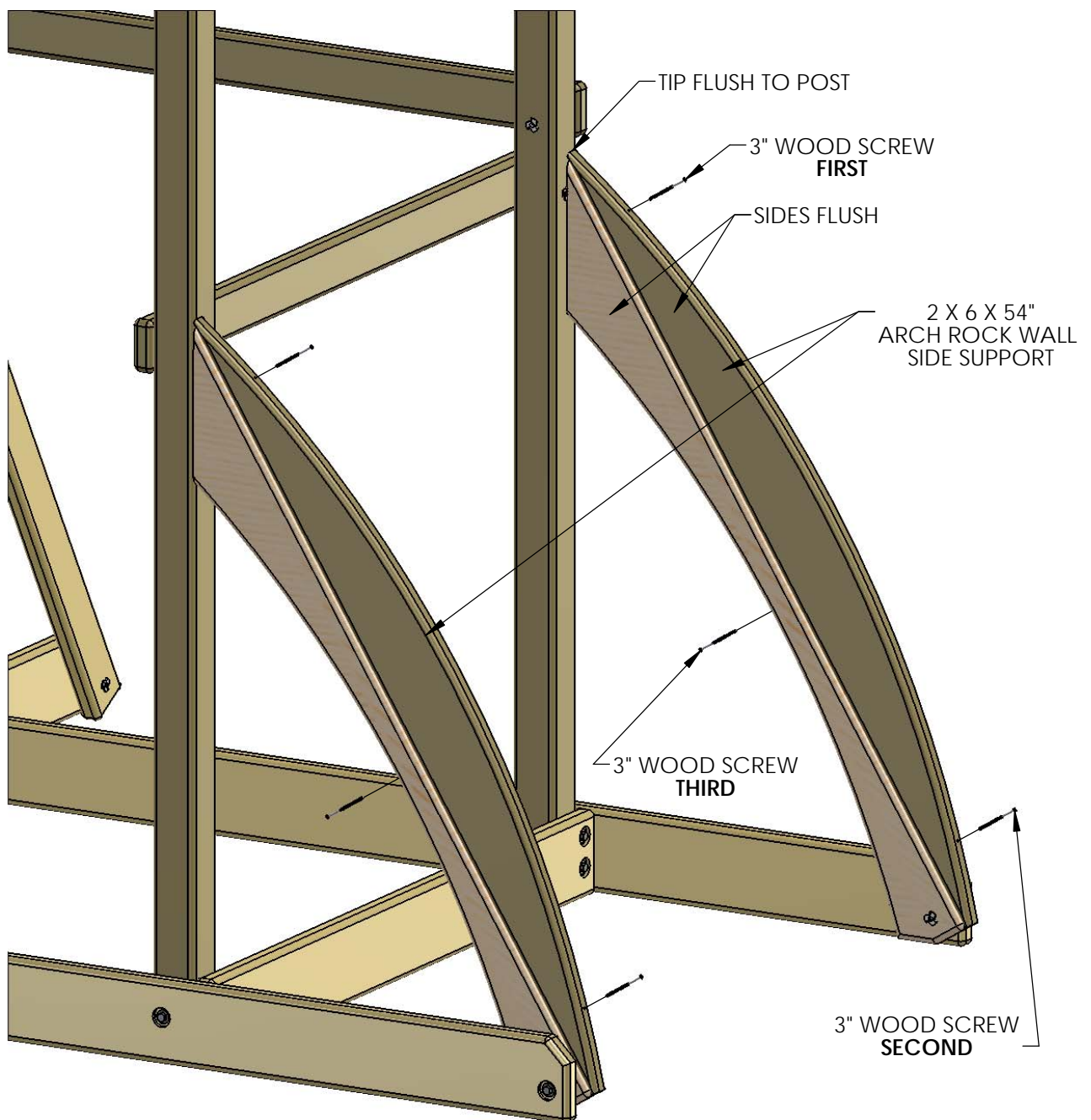


# STEP 11: ATTACHING THE ARCH ROCK WALL SIDE SUPPORTS

1: MOUNT THE ARCH ROCK WALL SIDE SUPPORT ON TOP OF THE ROCK WALL SUPPORT, MAKE SURE THAT THE TOP END OF THE ARCH ROCK WALL SIDE SUPPORT IS FLUSH WITH THE CORNER POST.

2: FIRST FASTEN THE 3" WOOD SCREW INTO THE ARCH ROCK WALL SIDE SUPPORT TOP HOLE INTO THE ROCK WALL SUPPORT, MAKE SURE THAT THIS BOARD IS ALIGNED WITH THE ROCK WALL SUPPORT. SECOND FASTEN THE 3" WOOD SCREW INTO THE ARCH ROCK WALL SIDE SUPPORT BOTTOM HOLE TO THE ROCK WALL SUPPORT.

3: THIRD FASTEN THE 3" WOOD SCREW INTO THE ROCK WALL SUPPORT TO THE ARCH ROCK WALL SUPPORT, MAKE SURE BOTH BOARDS ARE TIGHT TOGETHER.

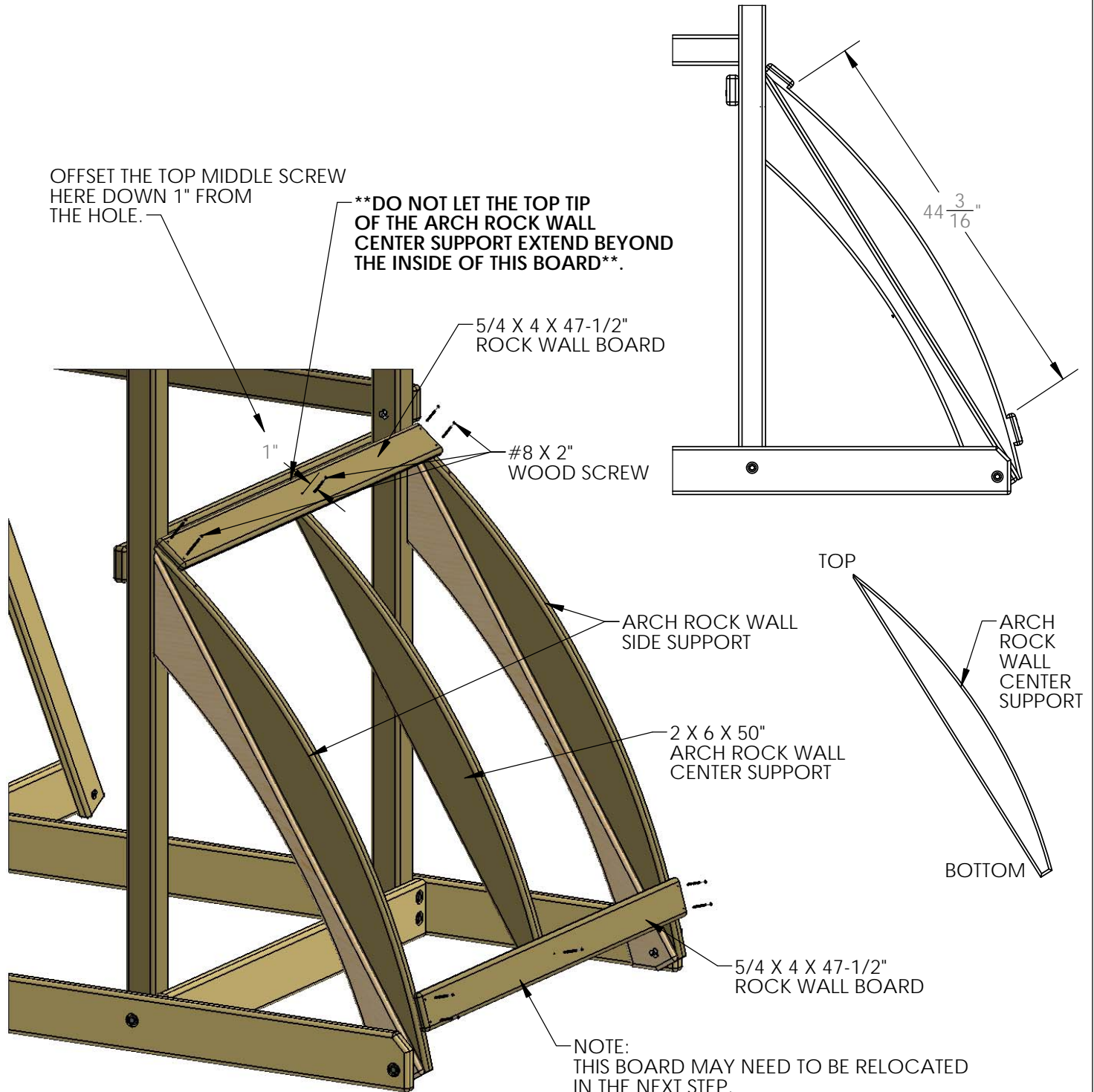


# STEP 12: ATTACHING THE ROCK WALL CENTER SUPPORT

1: BEGIN WITH THE 5/4 X 4 X 47-1/2" ROCK WALL BOARD AND SECURE IT TO THE ARCH ROCK WALL SIDE SUPPORT WITH TWO #8 X 2" WOOD SCREWS PER SIDE. THE ROUNDED EDGE OF THE ROCK WALL BOARD SHOULD BE AGAINST THE CORNER POSTS BEFORE ATTACHING.

2: NEXT THE 5/4 X 4 X 47-1/2" ROCK WALL BOARD WILL MOUNT AT THE BOTTOM. THIS BOARD WILL BE AT 44-3/16" FROM THE TOP ROCK WALL BOARD AND FLUSH TO THE ROCK WALL SIDE SUPPORTS. SECURE WITH #8 X 2" WOOD SCREWS.

3: WHEN FASTENING THE ARCH ROCK WALL CENTER SUPPORT NEXT DO NOT LET THE TOP TIP EXTEND BEYOND THE INSIDE OF THE TOP ROCK WALL BOARD. PLACE THE ARCH ROCK WALL CENTER SUPPORT BEHIND THE ROCK WALL BOARDS AND CENTER IT UNDER THE SMALL HOLES. THE TOP 2" SCREW SHOULD BE OFFSET DOWN 1" FROM THE CENTER OF THE TOP BOARD. FASTEN THE ARCH ROCK WALL CENTER SUPPORT TO THE ROCK WALL BOARDS WITH #8 X 2" WOOD SCREWS.





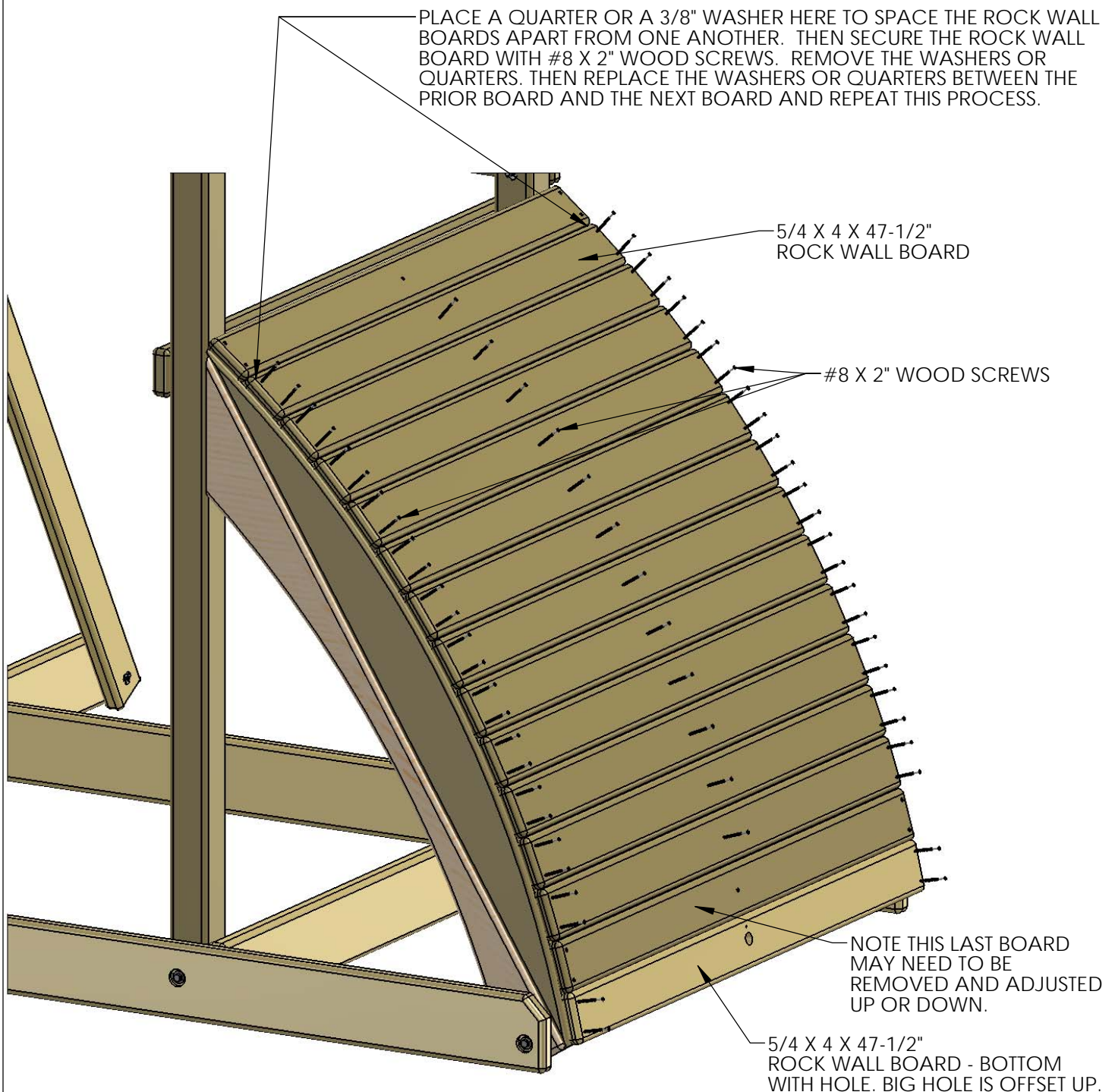
## STEP 13: ATTACHING THE ROCK WALL BOARDS

1: PLACE A 3/8" WASHER OR A QUARTER BETWEEN THE ROCK WALL BOARDS. MOUNT THE NEXT ROCK WALL BOARD TO THE ROCK WALL SUPPORTS WITH #8 X 2" WOOD SCREWS.

2: REMOVE THE WASHERS OR QUARTERS AND PLACE THEM BETWEEN THE NEXT ROCK WALL BOARD AND THE PREVIOUS ONE. MOUNT THE NEXT ROCK WALL BOARD TO THE ROCK WALL SUPPORTS WITH #8 X 2" WOOD SCREWS.

3: REPEAT SUBSTEP 2 UNTIL YOU GET TO THE LAST BOARD. THE LAST BOARD MAY NEED TO BE ADJUSTED. IF NECESSARY REMOVE THE LAST BOARD AND PLACE THE WASHERS OR QUARTERS BETWEEN IT AND THE PRIOR BOARD. RESECURE THE LAST BOARD TO THE ROCK WALL SUPPORTS.

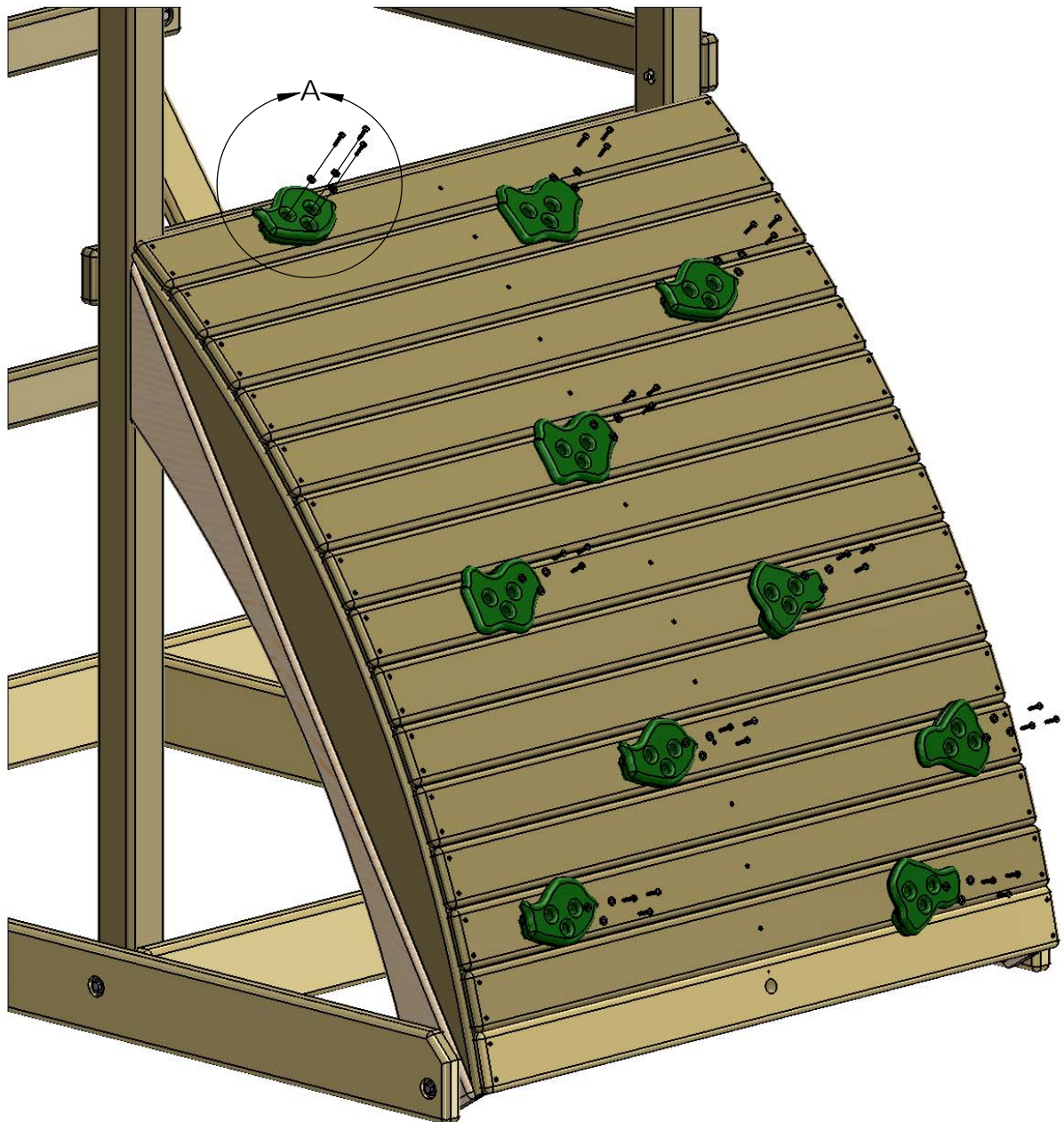
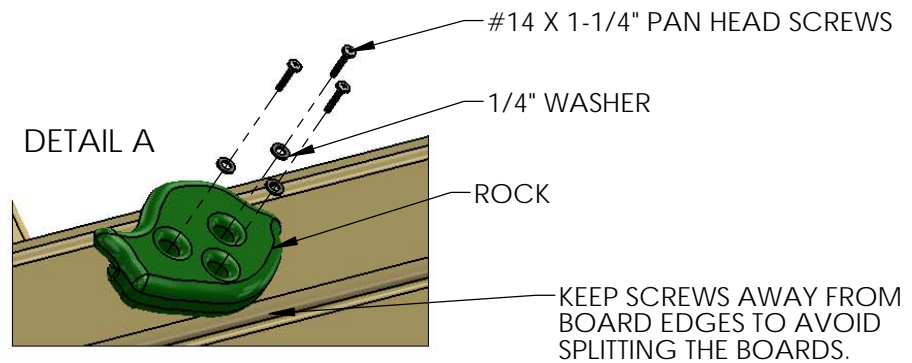
4: NOW PLACE THE BOTTOM ROCK WALL BOARD INTO POSITION SPACING IT AS BEFORE WITH WASHERS OR QUARTERS. SECURE THE BOTTOM ROCK WALL BOARD TO THE ROCK WALL SUPPORTS WITH #8 X 2" WOOD SCREWS.



## STEP 14: ATTACHING THE ROCKS

1: THE ROCKS SHOULD FOLLOW THE GENERAL STAGGERED LAYOUT SHOWN BELOW. HOWEVER, A DIFFERENT CONFIGURATION CAN BE USED. MAKE SURE THE SCREWS ARE AWAY FROM THE EDGE OF THE BOARDS TO AVOID SPLITTING.

2: THE ROCKS INCLUDED WITH YOUR PLAYSET MAY VARY, IN ANY CASE, THE #14 X 1-1/4" PANHEAD SCREWS AND 1/4" WASHERS INCLUDED WITH THE ROCKS WILL BE USED TO ATTACH THE ROCKS.

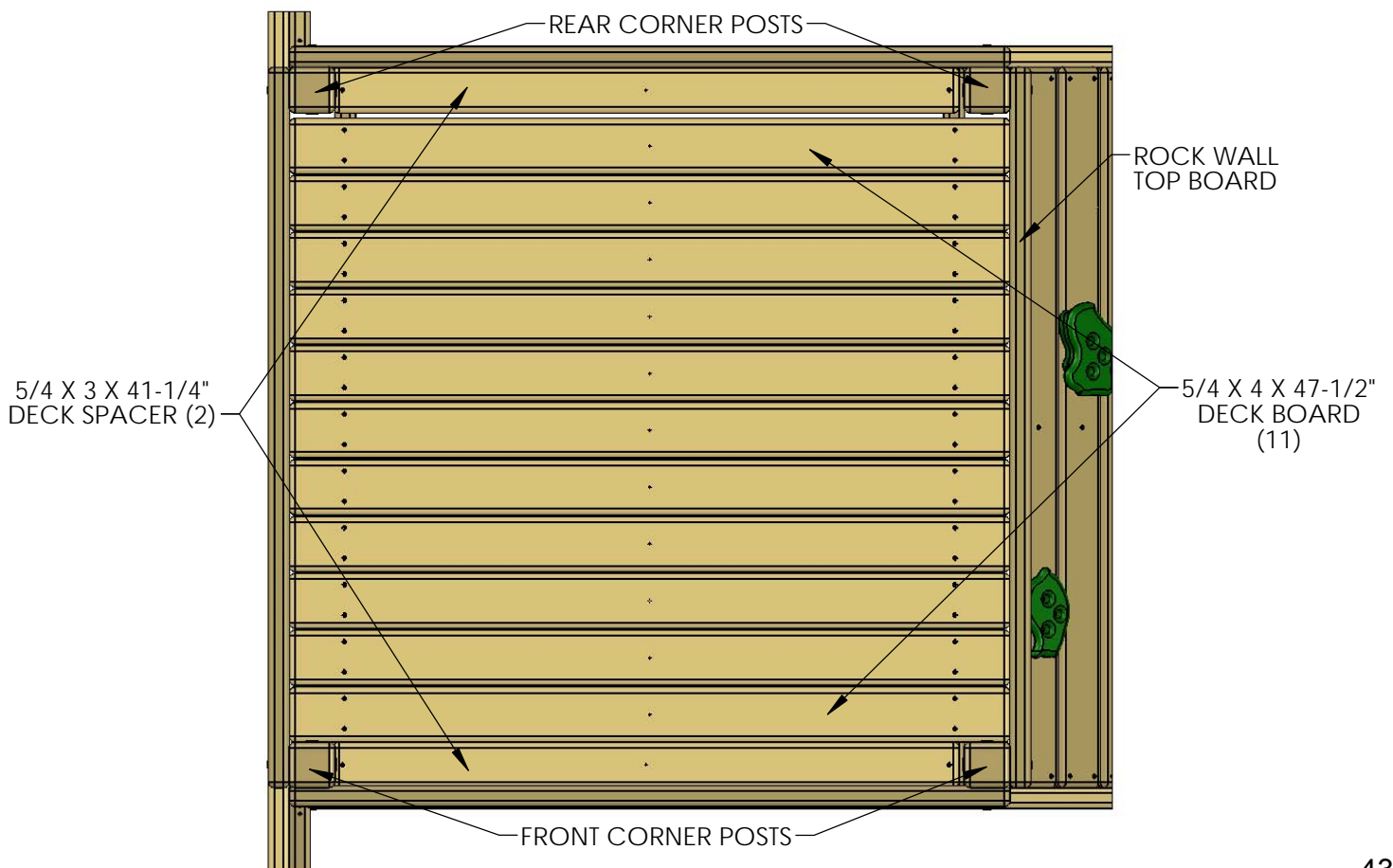
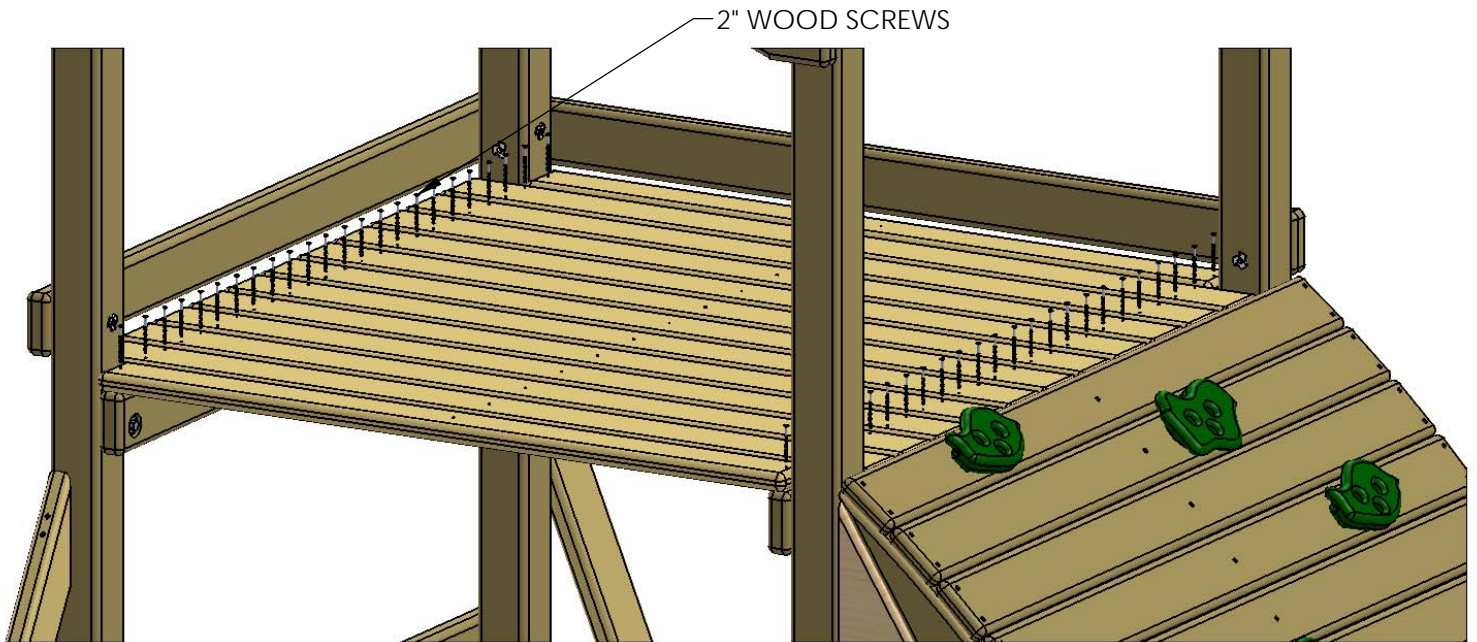


## STEP 15: ATTACHING THE DECK BOARDS AND DECK SPACERS

1: THE 5/4 X 3 X 41-1/4" DECK SPACER MOUNTS BETWEEN THE REAR CORNER POSTS AND BETWEEN THE FRONT CORNER POSTS FLUSH TO THE INSIDE EDGES. DRIVE THE 2" WOOD SCREWS THROUGH THE PREDRILLED HOLES INTO THE DECK SUPPORTS.

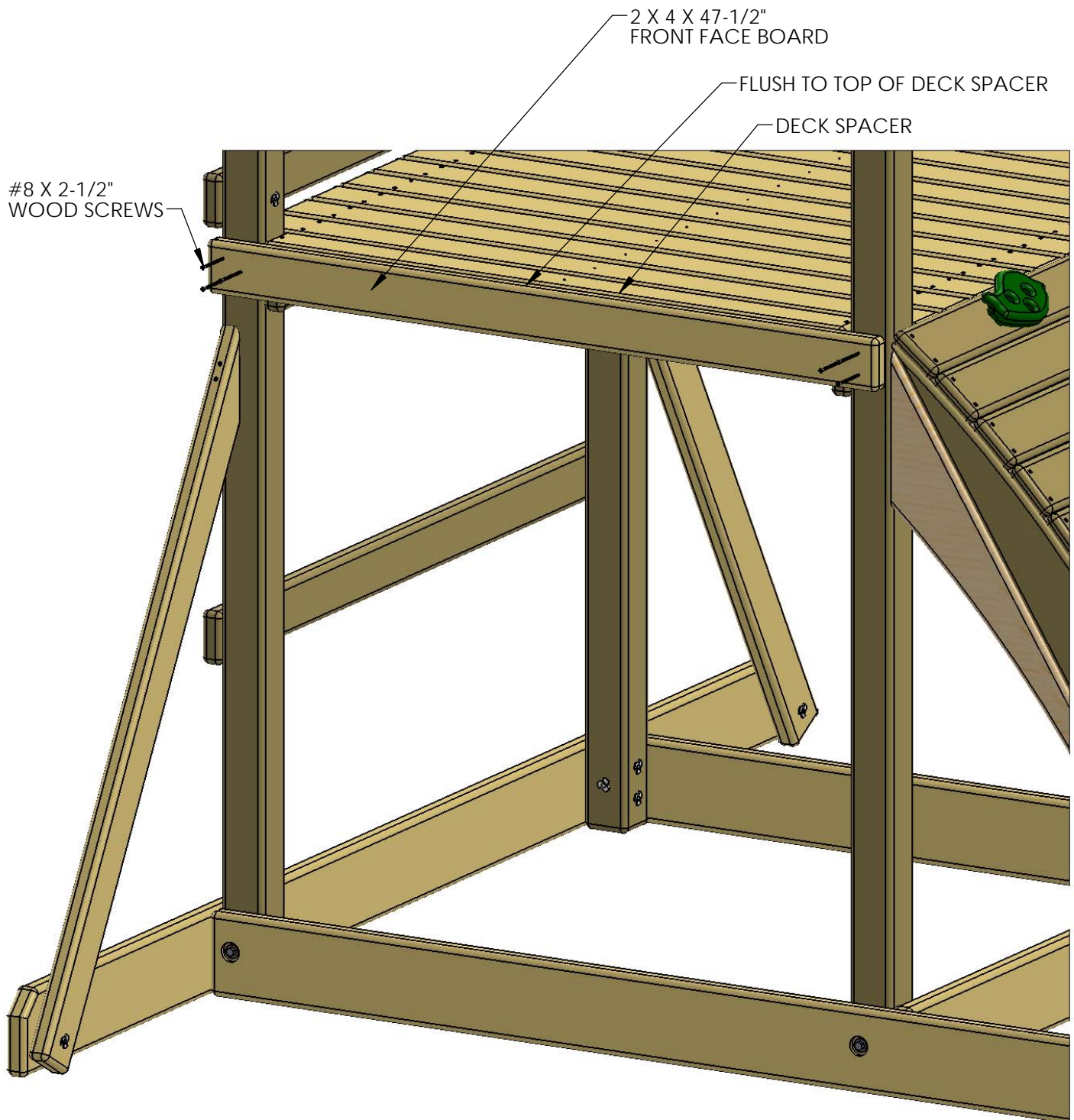
2: ELEVEN 5/4 X 4 X 47-1/2" DECK BOARDS WILL LAY ACROSS THE DECK SUPPORTS, FLUSH TO THE TOP ROCK WALL BOARD.

3: SPACE DECK BOARDS EVENLY ACROSS THE DECK SUPPORTS BETWEEN THE DECK SPACERS. SECURE WITH 2" WOOD SCREWS THROUGH THE PREDRILLED HOLES TO THE DECK SUPPORTS.



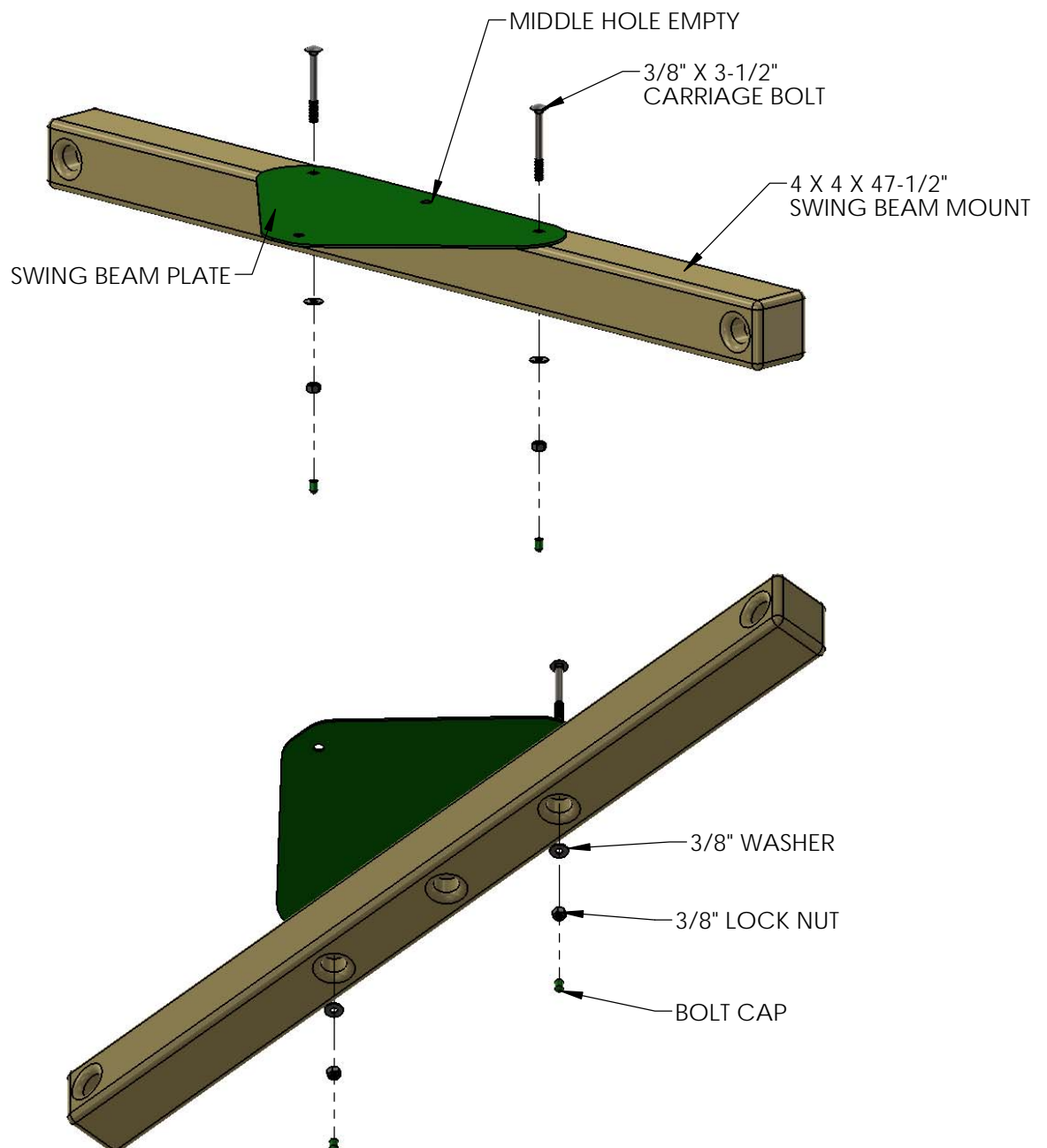
## STEP 16: ATTACHING THE FRONT FACE BOARD

1: THE TOP SURFACE OF THE 2 X 4 X 47-1/2" FACE BOARD WILL BE FLUSH TO THE TOP OF THE DECK SPACER. SECURE THE FACE BOARD TO THE CORNER POSTS WITH THREE 2-1/2" WOOD SCREWS PER SIDE.



## STEP 17: SWING BEAM PLATE

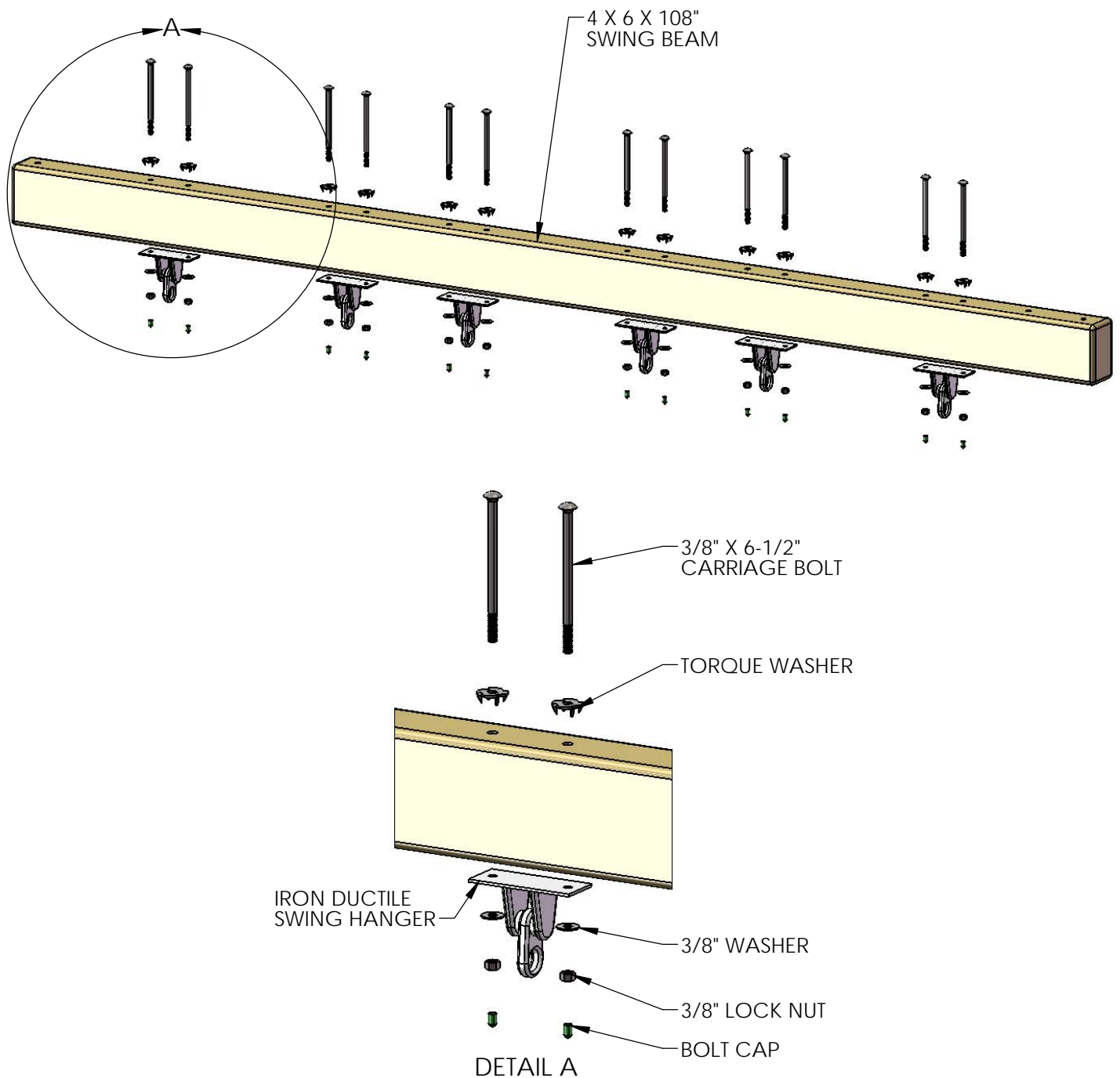
- 1: LAY THE SWING BEAM MOUNT ON A FLAT SURFACE WITH THE THREE COUNTER SUNK CENTER HOLES FACING THE GROUND, THE COUNTER SUNK HOLES ON THE ENDS MUST BE FACING TOWARDS YOU.
- 2: PLACE THE SWING BEAM PLATE ON TOP OF THE SWING BEAM MOUNT, LINING UP PILOT HOLES.
- 3: FASTEN THE SWING BEAM PLATE TO THE SWING BEAM MOUNT ON THE OUTSIDE HOLES USING 3/8" X 3-1/2" CARRIAGE BOLTS ON TOP AND 3/8" WASHERS WITH 3/8" LOCK NUTS ON THE BOTTOM. PLACE GREEN BOLT CAPS OVER EXPOSED THREADS AFTER SECURING.
- 4: LEAVE THE MIDDLE HOLE EMPTY, IT WILL BE USED LATER.



# STEP 18: IRON DUCTILE SWING HANGERS

1: LINE UP THE HOLES OF THE IRON DUCTILE SWING HANGERS WITH THE HOLES IN THE SWING BEAM.

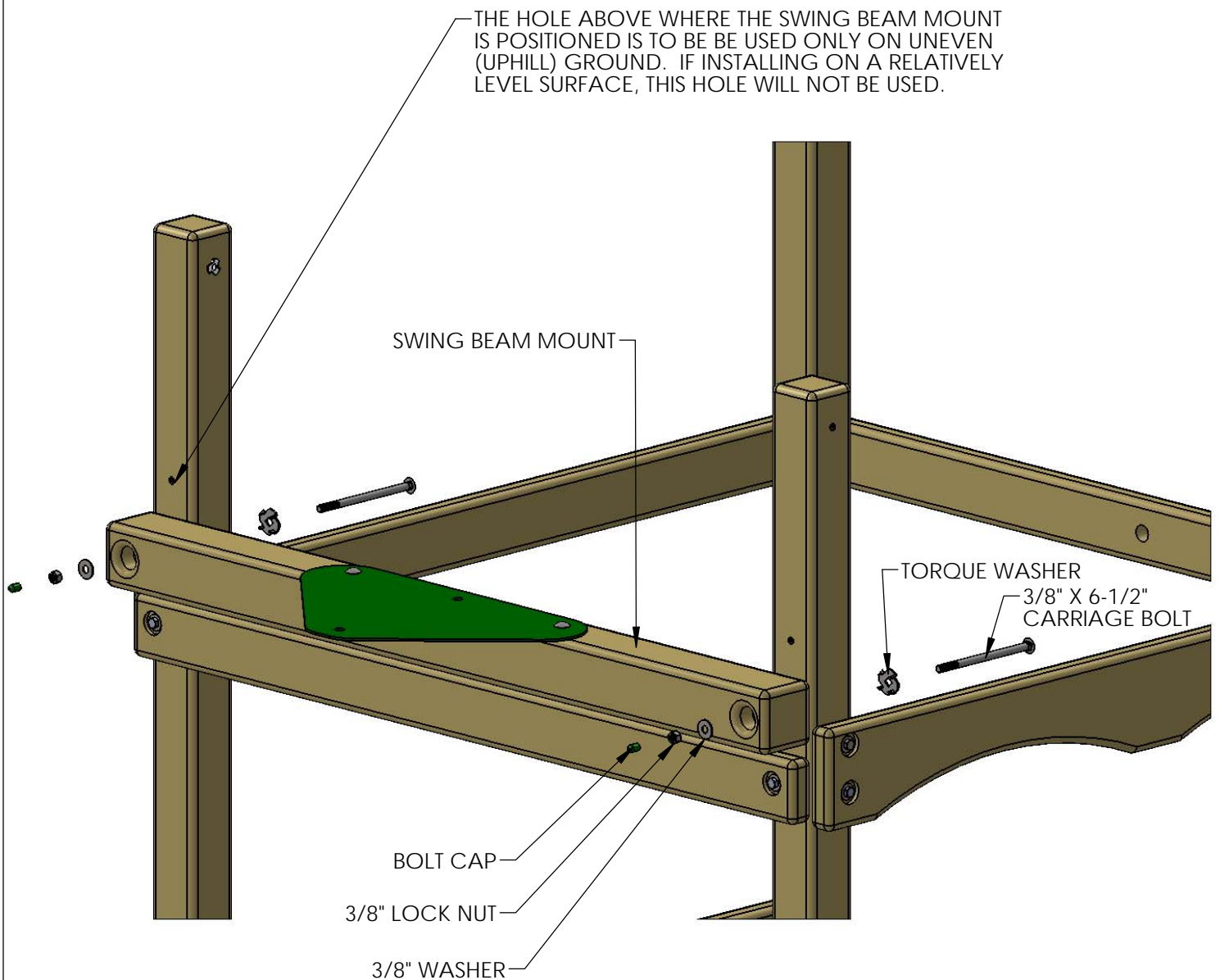
2: FASTEN THE IRON DUCTILE SWING HANGERS TO THE SWING BEAM USING 3/8" X 6-1/2" CARRIAGE BOLTS WITH TORQUE WASHERS ON TOP OF THE SWING BEAM, AND 3/8" WASHERS WITH 3/8" LOCK NUTS ON THE BOTTOM. PLACE BOLT CAPS OVER EXPOSED THREADS AFTER SECURING.



## STEP 19: ATTACHING THE SWING BEAM MOUNT

1: THE 4 X 4 X 47-1/2" SWING BEAM MOUNT HAS COUNTER-SUNK HOLES IN THE CENTER AND ON THE ENDS. INSTALL THE SWING BEAM MOUNT SO THAT THE COUNTER-SUNK HOLES ON EACH END OF THE BEAM FACE OUT, AND THE COUNTER-SUNK HOLES AT THE CENTER FACE DOWN.

2: FASTEN THE SWING BEAM MOUNT TO THE CORNER POSTS USING 3/8" X 6-1/2" CARRIAGE BOLTS WITH TORQUE WASHERS. PLACE THE CARRIAGE BOLT INTO THE TORQUE WASHER, THEN INTO THE HOLE OF THE CORNER POST AND SET WITH A HAMMER. USE 3/8" WASHERS AND LOCK NUTS TO SECURE THE SWING BEAM MOUNT FROM THE OUTSIDE. PLACE BOLT CAPS OVER THE EXPOSED THREADS AFTER SECURING.



## STEP 20: LADDER ASSEMBLY

1: LAY ONE 2 X 4 X 57" LADDER SIDE ON A FLAT SURFACE WITH THE CHANNELS FACING DOWN. PLACE THE BARREL OF A T-NUT IN THE HOLE AT THE TOP OF THE LADDER SIDE AND SECURE WITH A HAMMER. REPEAT THIS STEP FOR THE OTHER LADDER SIDE.

2: FLIP THE LADDER SIDE OVER SO THAT THE CHANNELS ARE FACING UP.

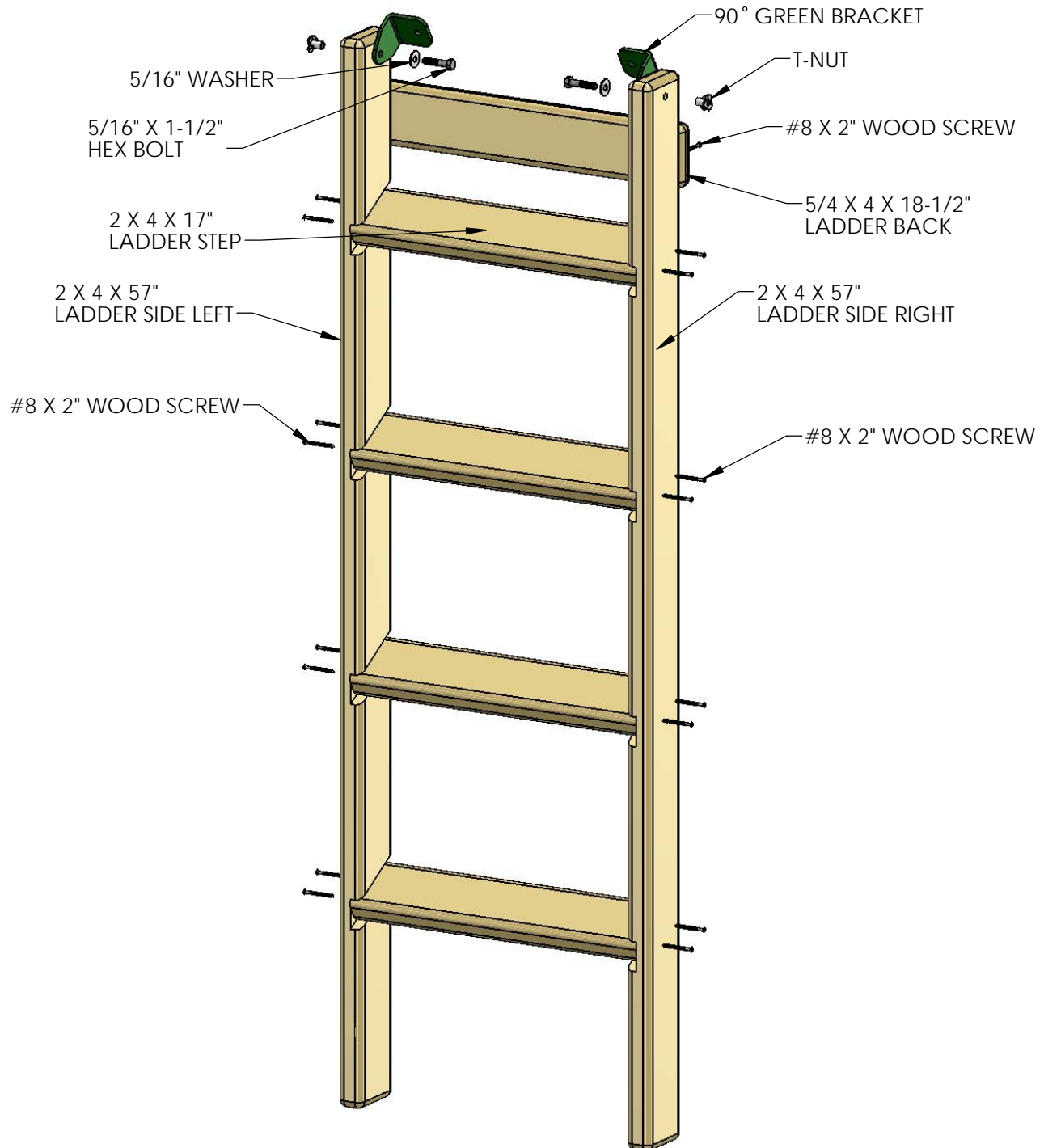
3: PLACE THE LADDER STEP INTO THE CHANNELS, AND THEN PLACE THE SECOND LADDER SIDE ON TOP, WITH THE CHANNELS FACING DOWN.

4: NOW PLACE TWO 2" WOOD SCREWS IN EACH STEP.

5: CAREFULLY TURN THE LADDER OVER AND FINISH THE OTHER SIDE WITH TWO 2" WOOD SCREWS PER STEP.

6: INSTALL TWO 90 GREEN BRACKETS USING 1-1/2" BOLTS AND 5/16" WASHERS.

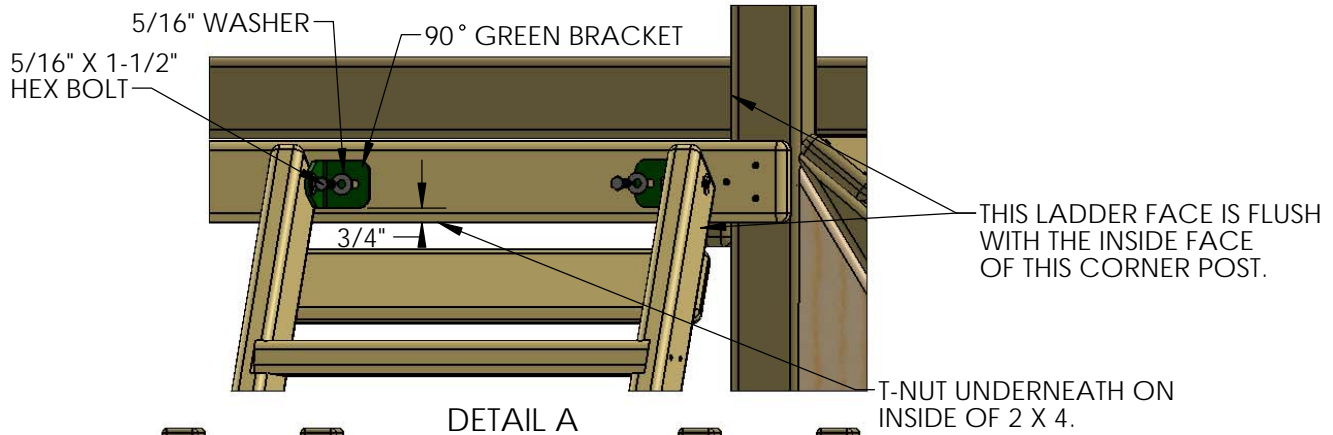
7: INSTALL THE 5/4" X 4 X 18-1/2" LADDER BACK ABOVE THE OPENING OF THE TOP CHANNELS WITH ONE 2" WOOD SCREW PER SIDE.





## STEP 21: LADDER TO FORT

- 1: THE LADDER ATTACHES TO THE FRONT SIDE AT THE RIGHT, FLUSH TO THE INSIDE EDGE OF THE CORNER POST.
- 2: THE BOTTOM EDGE OF EACH 90 GREEN BRACKET SHOULD BE 3/4" FROM THE BOTTOM OF THE 2 X 4.
- 3: MAKE SURE THE LADDER IS LEVEL, USING THE LADDER BRACKETS AS A TEMPLATE, DRILL A 3/8" HOLE THROUGH THE 2 X 4.
- 4: INSERT T-NUTS IN THE BACK OF THE HOLES.
- 5: ATTACH THE BRACKET TO THE 2 X 4 WITH 1-1/2" HEX BOLTS WITH 5/16" WASHERS.

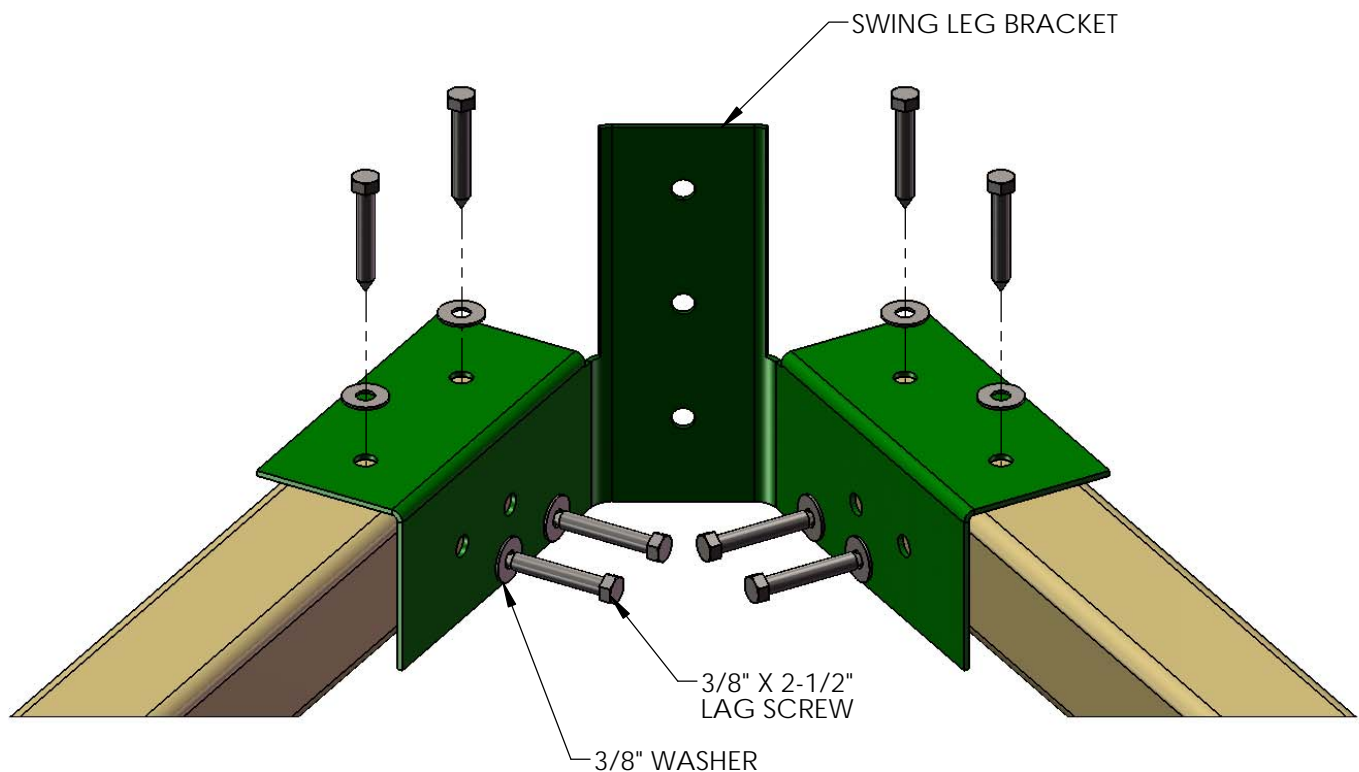
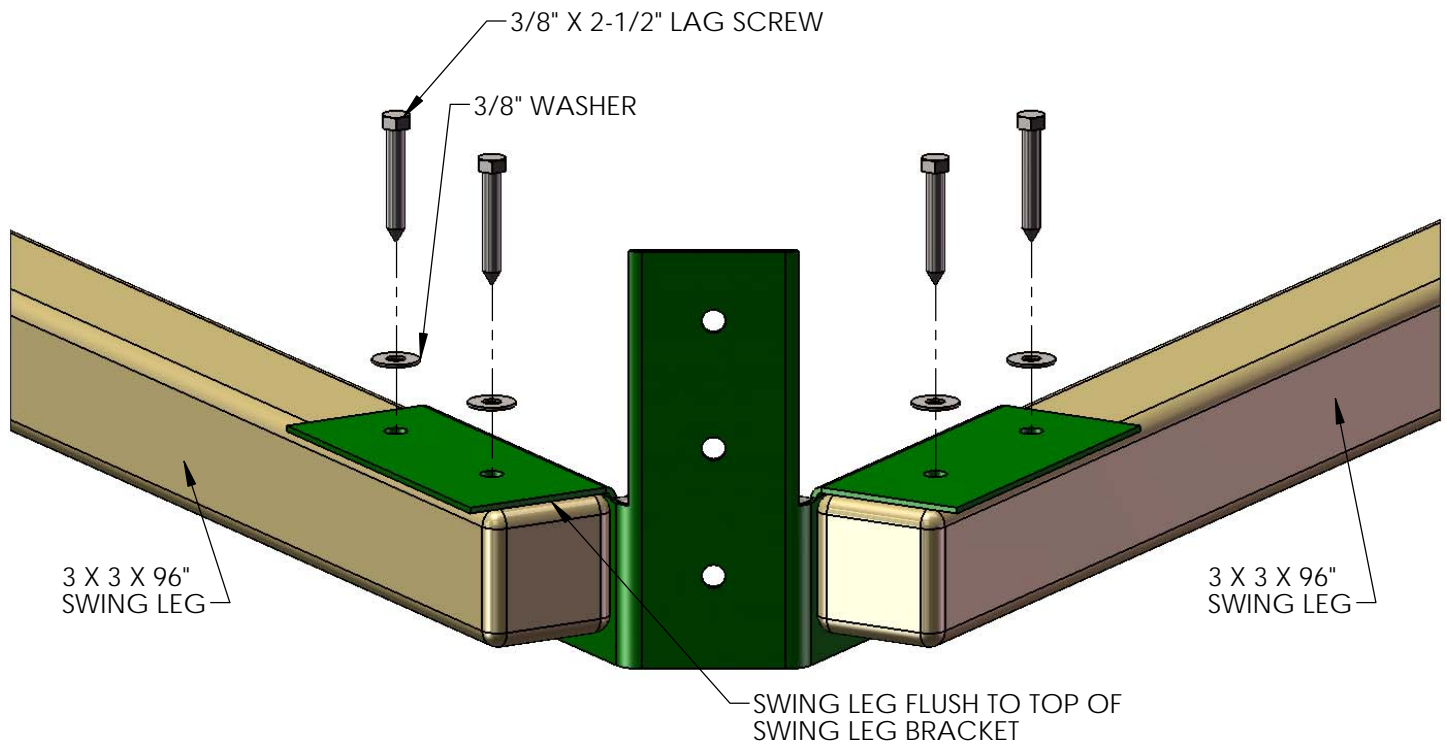


## STEP 22: ATTACHING SWING LEGS TO BRACKET

1: PLACE THE 3 X 3 X 96" SWING LEGS FLUSH TO THE TOP OF THE SWING LEG BRACKET.

2: USING THE SWING LEG BRACKET AS A TEMPLATE, DRILL 1 1/64" PILOT HOLES 2-1/2" DEEP THROUGH EACH SWING LEG BRACKET HOLE.

3: FASTEN THE SWING LEGS TO THE SWING LEG BRACKET WITH 3/8" X 2-1/2" LAG SCREWS AND 3/8" WASHERS.

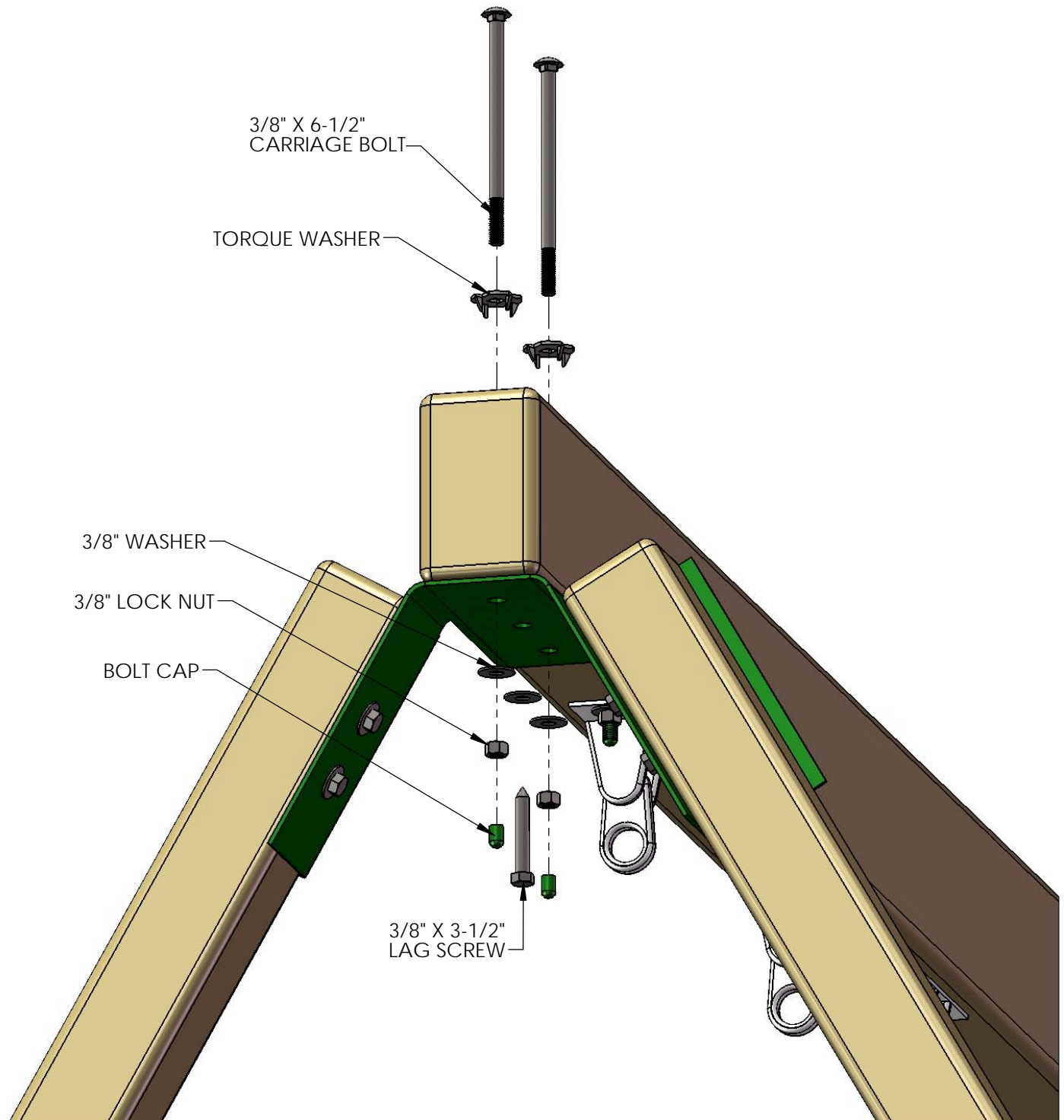


## STEP 23: MOUNT SWING BEAM TO SWING BEAM LEGS

1: FASTEN THE SWING BEAM TO THE SWING BEAM BRACKET USING 3/8" X 6-1/2" CARRIAGE BOLTS WITH TORQUE WASHERS ON TOP OF THE SWING BEAM, AND 3/8" LOCK NUTS WITH 3/8" WASHERS FROM UNDERNEATH.

2: PREDRILL AN 11/64" PILOT HOLE 3" DEEP INTO THE CENTER HOLE. USE A 3/8" X 3-1/2" LAG SCREW WITH 3/8" WASHER FOR THE HOLE IN THE CENTER OF THE SWING BEAM BRACKET.

3: PLACE A BOLT CAP OVER ANY EXPOSED THREADS.



## STEP 24: MOUNT SWING BEAM TO FORT

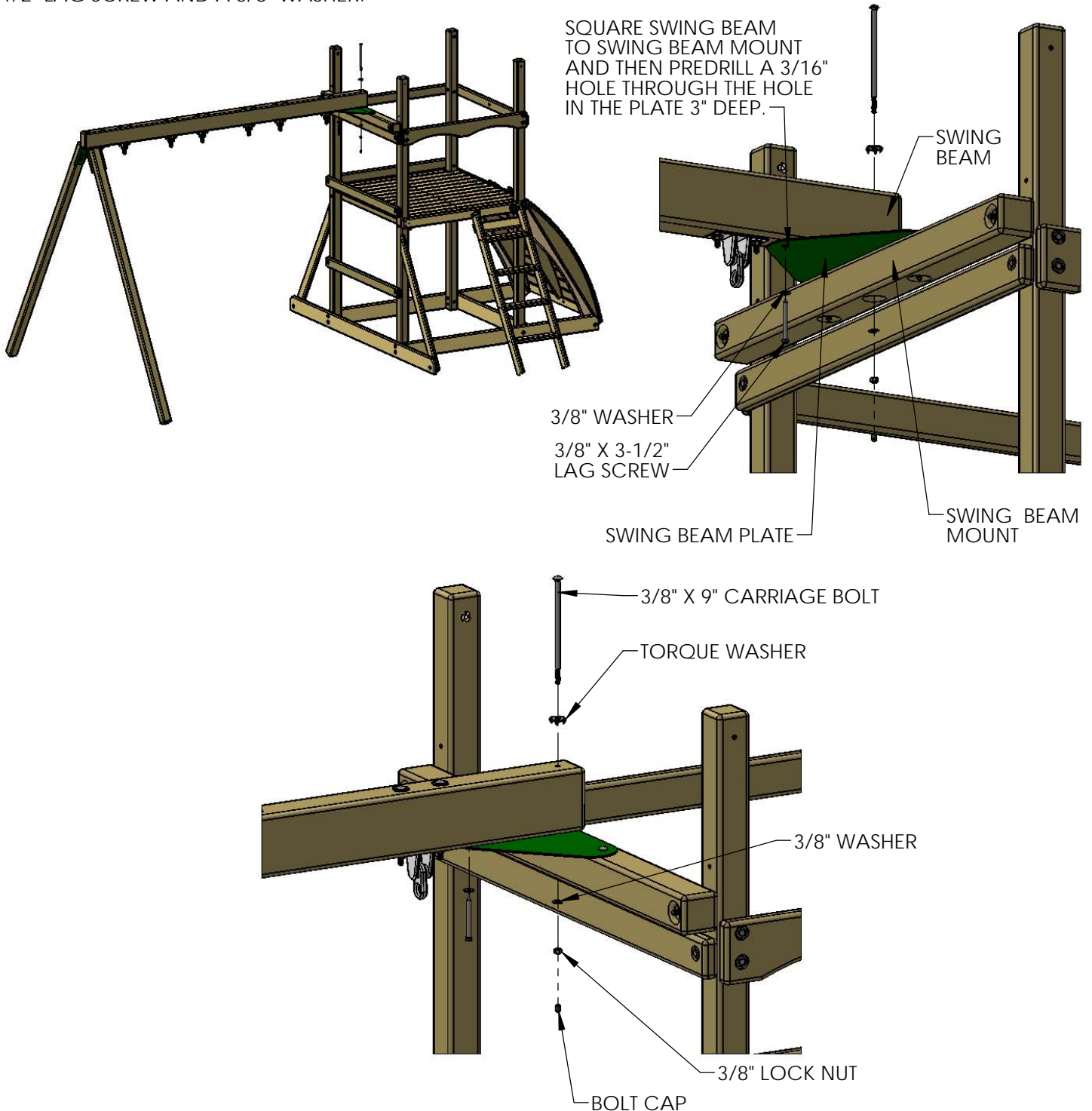
AN EXTRA PERSON IS NEEDED FOR THIS STEP.

1: HAVE ONE PERSON WALK THE FREE END OF THE SWING BEAM TO THE SWING BEAM MOUNT ON THE FORT FROM INSIDE THE FORT WHILE THE OTHER PERSON CARRIES THE LEGS.

2: LINE UP THE PILOT HOLE ON THE END OF THE SWING BEAM WITH THE MIDDLE HOLE ON THE SWING BEAM PLATE OVER THE SWING BEAM MOUNT.

3: FASTEN THE SWING BEAM TO THE SWING BEAM PLATE AND SWING BEAM MOUNT USING A 3/8" X 9" CARRIAGE BOLT WITH TORQUE WASHER ON TOP AND A 3/8" LOCK NUT AND WASHER ON THE BOTTOM. PLACE GREEN BOLT CAPS OVER EXPOSED THREADS AFTER SECURING.

4: SQUARE THE SWING BEAM TO THE SWING BEAM MOUNT. DRILL A 3/16" PILOT HOLE THROUGH THE HOLE IN THE SWING BEAM PLATE. FASTEN THE SWING BEAM TO THE SWING BEAM PLATE FROM UNDERNEATH WITH A 3/8" X 3-1/2" LAG SCREW AND A 3/8" WASHER.



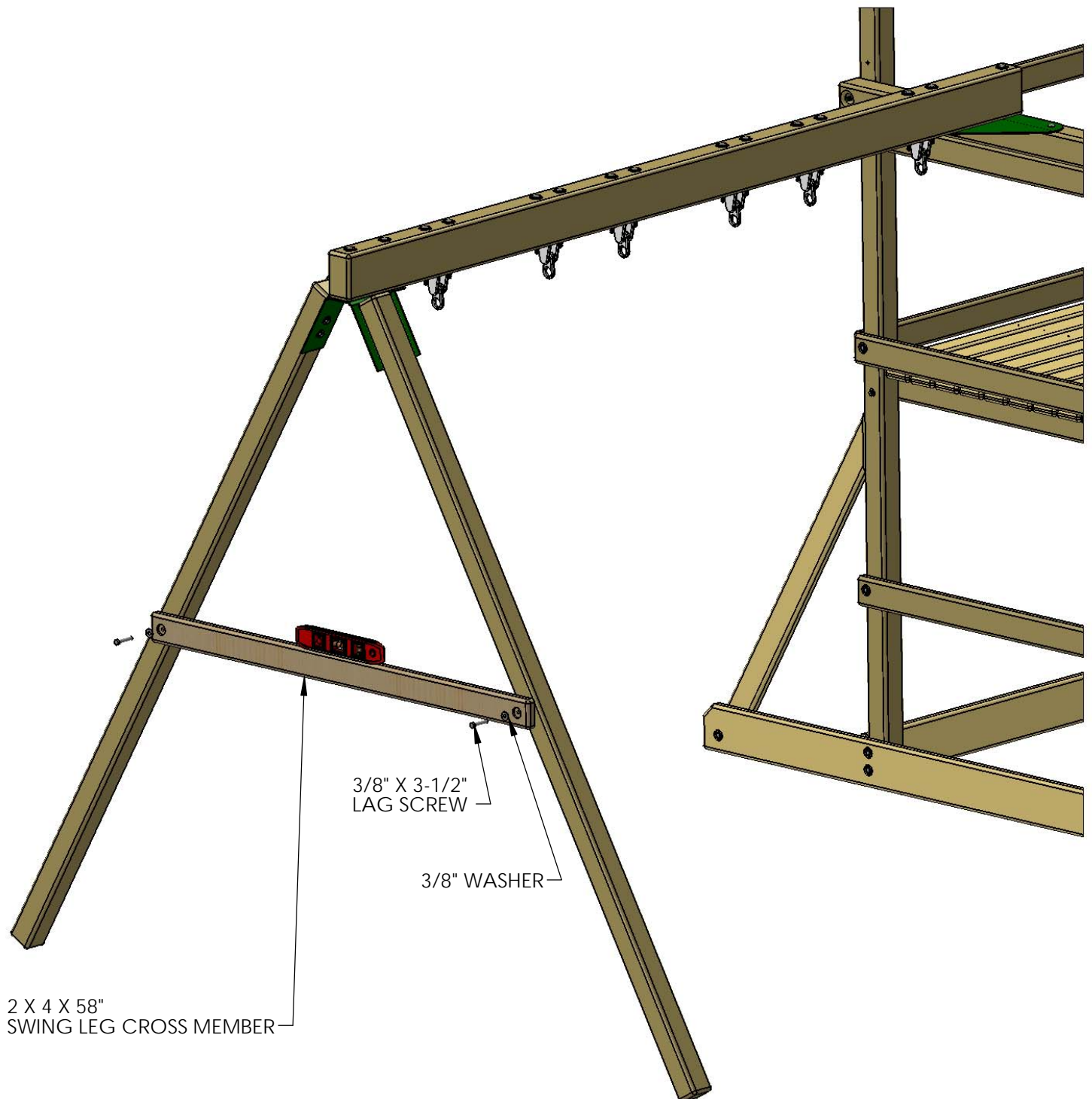
## STEP 25: LEVEL SWING BEAM

1: PLACE THE LEVEL ON TOP OF THE SWING BEAM AND ADJUST THE SWING LEGS IN OR OUT AS NEEDED TO MAKE THE SWING BEAM LEVEL.



## STEP 26: SWING LEG CROSS MEMBER

- 1: POSITION THE 2 X 4 X 58" SWING LEG CROSS MEMBER AGAINST THE SWING BEAM LEGS.
- 2: LEVEL THE CROSS MEMBER, AND MARK THROUGH THE HOLES ONTO THE LEGS.
- 3: PREDRILL 11/64" HOLES 2" DEEP AT EACH MARK.
- 4: SECURE THE CROSS MEMBER TO THE SWING LEGS WITH 3/8" X 3-1/2" LAG SCREWS AND 3/8" WASHERS.



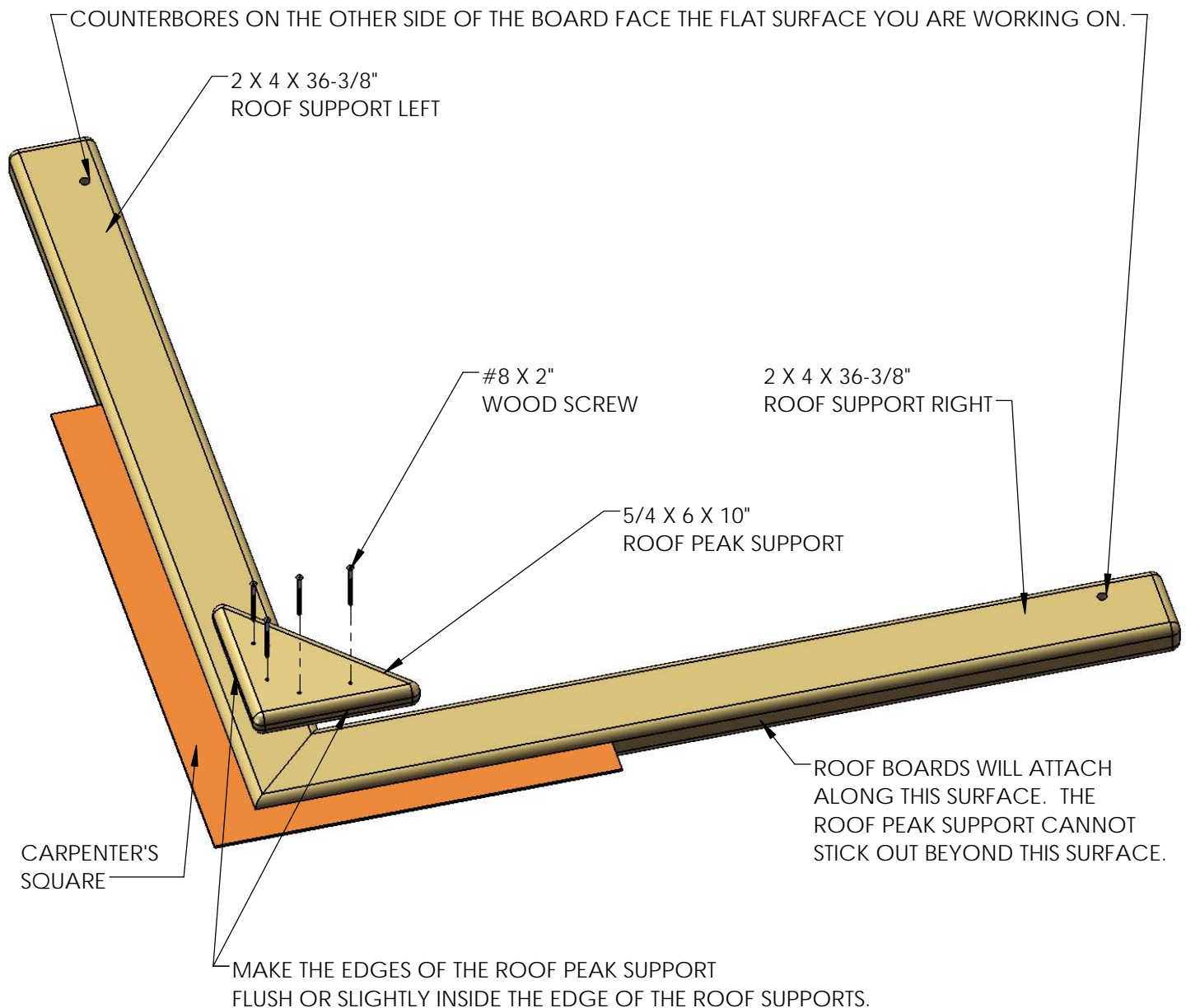
## STEP 27: ROOF SUPPORT ASSEMBLIES

1: LAY THE 2 X 4 X 36-3/8" ROOF SUPPORT LEFT AND THE 2 X 4 X 36-3/8" ROOF SUPPORT RIGHT ON A FLAT SURFACE WITH THE COUNTERBORES FACING THE FLAT SURFACE. ALIGN THE TIPS OF THE BOARDS AND USE A CARPENTER'S SQUARE TO SQUARE THE BOARDS UP.

2: PLACE THE 5/4 X 6 X 10" ROOF PEAK SUPPORT ON TOP OF THE ROOF SUPPORTS. ALIGN THE TOP EDGES OF THE ROOF PEAK SUPPORT FLUSH OR SLIGHTLY LOWER THAN THE TOP EDGES OF THE ROOF SUPPORT LEFT AND RIGHT PIECES.

3: FASTEN ONE SIDE OF THE ROOF PEAK SUPPORT TO ONE OF THE ROOF SUPPORTS WITH TWO #8 X 2" WOOD SCREWS. USE THE CARPENTER'S SQUARE TO CHECK THE BOARDS ARE SQUARE. THEN FASTEN THE OTHER ROOF SUPPORT TO THE ROOF PEAK SUPPORT WITH TWO #8 X 2" WOOD SCREWS.

4: REPEAT SUBSTEPS 1 THROUGH 3 TO CONSTRUCT ONE MORE ROOF SUPPORT ASSEMBLY.

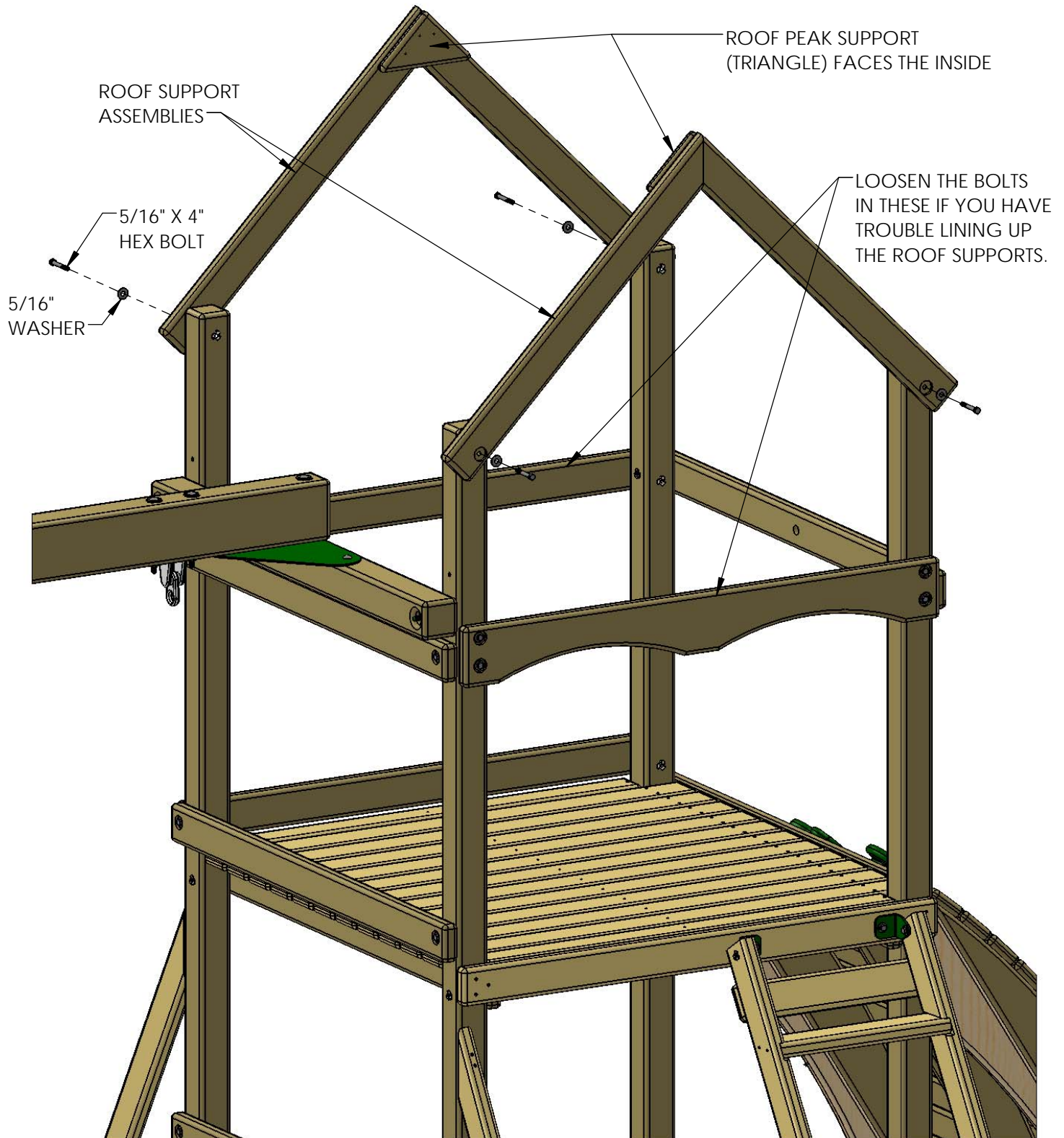


## STEP 28: ATTACH ROOF SUPPORT ASSEMBLIES

1: PLACE THE ROOF SUPPORT ASSEMBLIES AS SHOWN ON THE OUTSIDE OF THE CORNER POSTS. THE ROOF PEAK SUPPORT (TRIANGLE) SHOULD FACE THE INSIDE.

2: ATTACH EACH ROOF SUPPORT ASSEMBLY WITH TWO 5/16" X 4" HEX BOLTS AND TWO 5/16" WASHERS.

IF YOU HAVE TROUBLE LINING UP THE HOLES THEN LOOSEN THE BOLTS IN THE BOARDS BELOW THE ROOF SUPPORTS. THEN ATTACH THE ROOF SUPPORTS AND TIGHTEN UP THE BOARDS YOU LOOSENED.

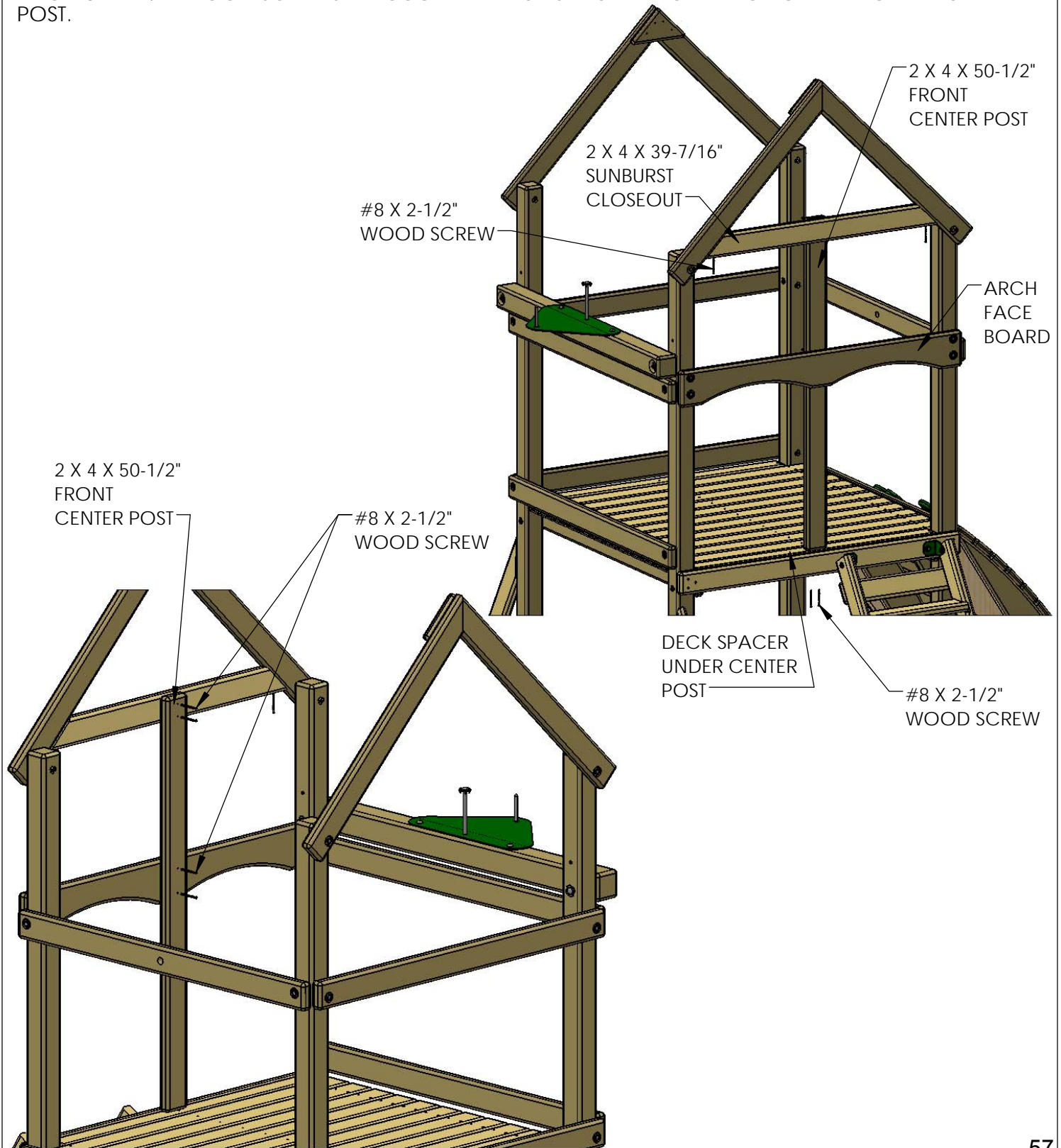




## STEP 29: FRONT CENTER POST / SUNBURST CLOSEOUT

1: PLACE THE 2 X 4 X 39-7/16" SUNBURST CLOSEOUT DIRECTLY UNDERNEATH THE ROOF SUPPORTS ON THE FRONT OF THE PLAYSET. MAKE SURE THE BOARD IS EQUALLY SPACED VERTICALLY AT EACH END ABOVE THE ARCH FACE BOARD. ATTACH THE SUNBURST CLOSEOUT BOARD TO THE ROOF SUPPORTS WITH TWO #8 X 2-1/2" WOOD SCREWS.

2: PLACE THE 2 X 4 X 50-1/2" FRONT CENTER POST BEHIND THE SUNBURST CLOSEOUT BOARD AND THE ARCH FACE BOARD. MAKE SURE THE CENTER POST IS CENTERED LEFT TO RIGHT. THE CENTER POST SHOULD REST UPON THE DECK SPACER. FASTEN THE CENTER POST TO THE SUNBURST CLOSEOUT BOARD AND THE ARCH FACE BOARD WITH FOUR #8 X 2-1/2" WOOD SCREWS. GO UNDER THE DECK AND DRIVE TWO #8 X 2-1/2" WOOD SCREWS THROUGH THE DECK SPACER INTO THE BOTTOM END OF THE CENTER POST.



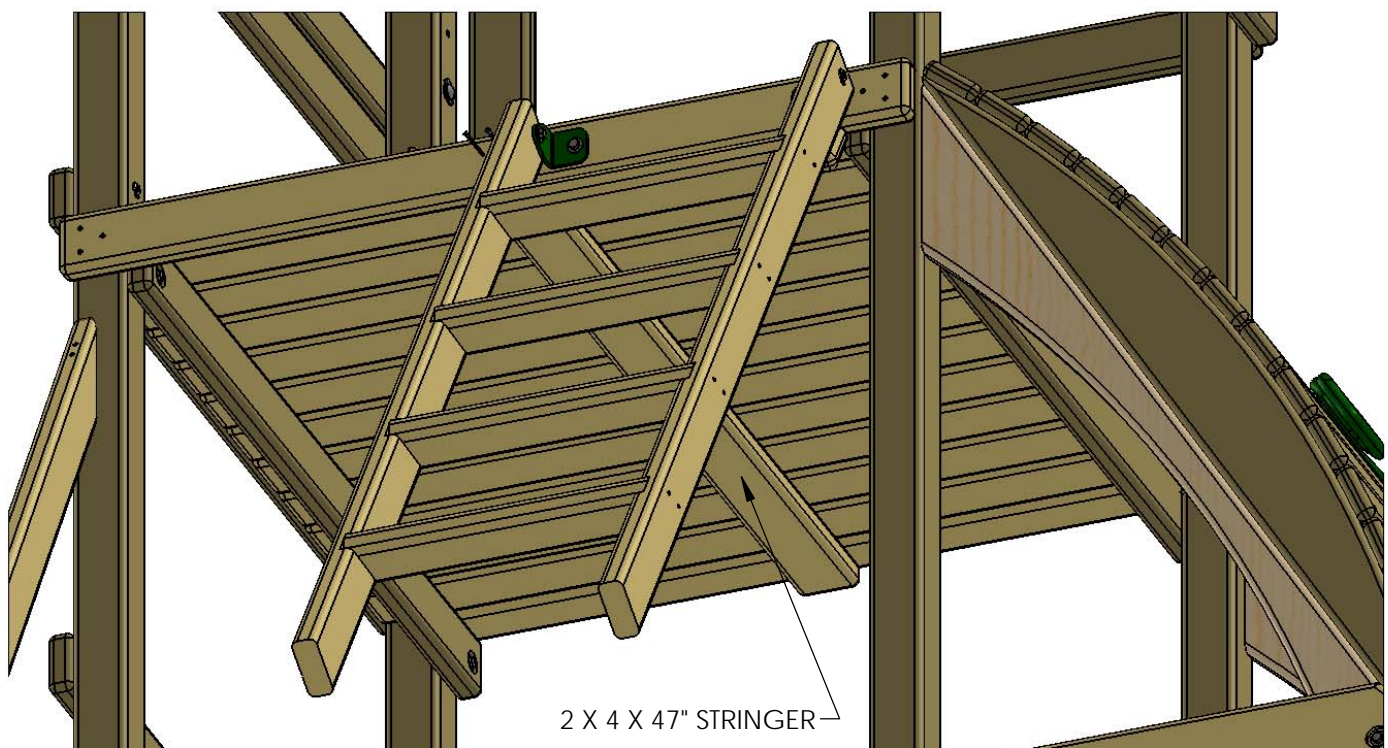
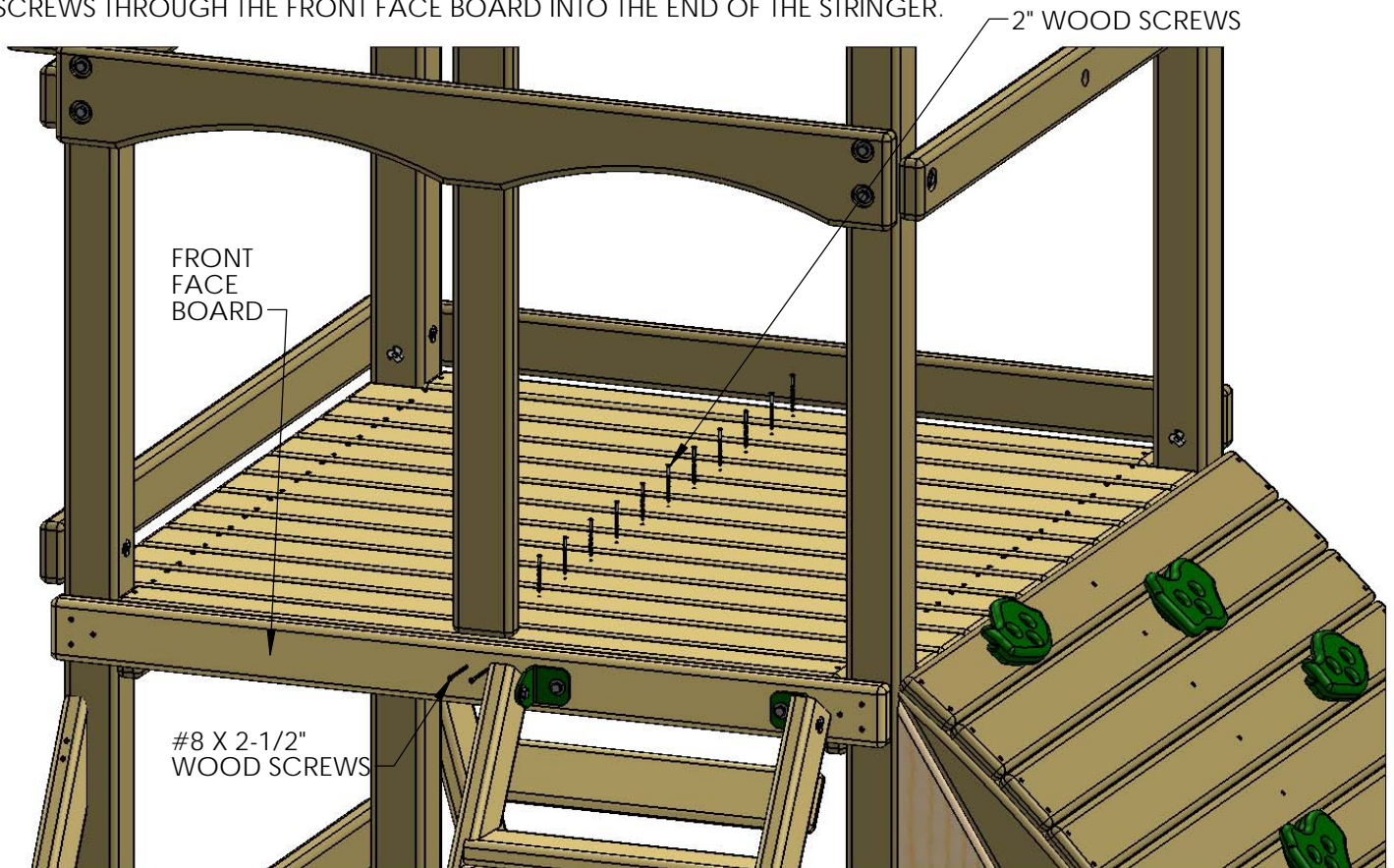
## STEP 30: ATTACHING THE DECK STRINGER

1: FIND THE 2 X 4 X 47" STRINGER WITHOUT HOLES.

2: PLACE THE STRINGER UNDERNEATH THE CENTER OF THE DECK BOARDS (USE THE HOLE AT THE CENTER AS A GUIDE) MAKE SURE THE END OF THE STRINGER IS FLUSH WITH THE FRONT FACE BOARD.

3: ATTACH EACH DECK BOARD AND DECK SPACER WITH 2" WOOD SCREWS THROUGH THE PREDRILLED HOLES INTO THE STRINGER BELOW.

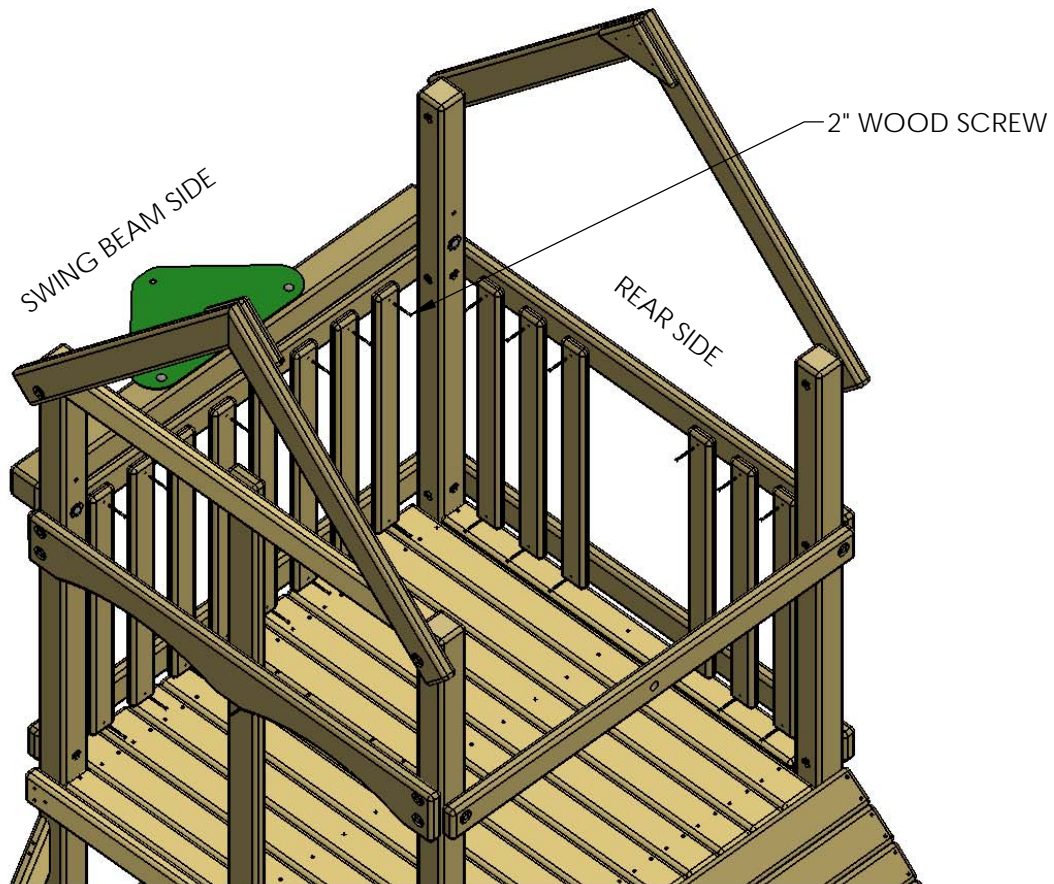
4: MEASURE DOWN 1-11/16" FROM THE TOP OF THE FRONT FACE BOARD AND DRIVE TWO #8 X 2-1/2" SCREWS THROUGH THE FRONT FACE BOARD INTO THE END OF THE STRINGER.



# STEP 31: PANEL SLATS

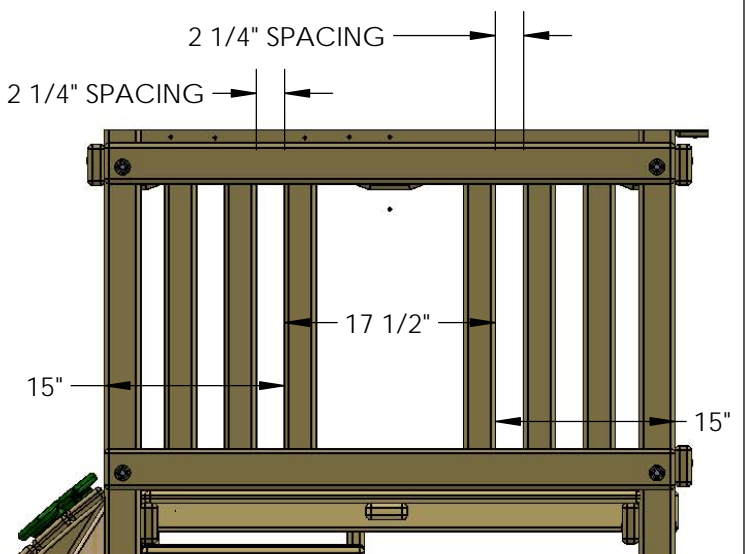
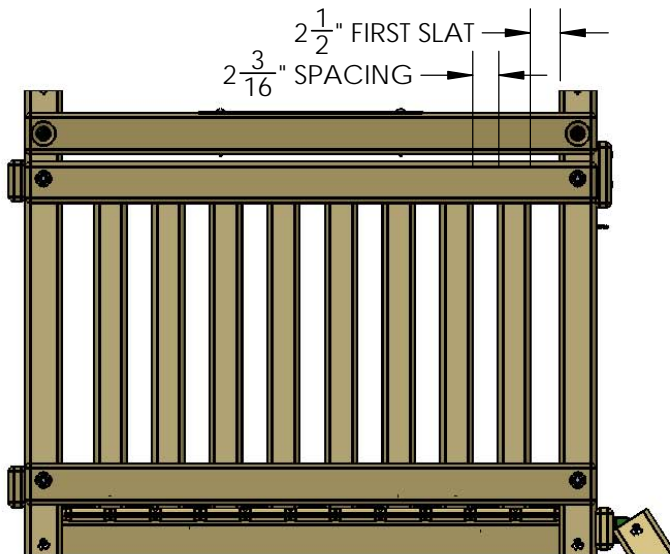
1: BEGIN ON THE REAR SIDE OF THE FORT WITH THE TWO INNER SLATS BOARDS. THEY ARE GOING TO BE 17-1/2" APART AFTER THEY ARE ATTACHED. THEY ARE SPACED 15" FROM THE OUTSIDE OF THE POSTS. SPACE THE REMAINING TWO SLATS ON EACH SIDE 2-1/4" AWAY FROM EACH OTHER.

2: ON THE SWING BEAM SIDE OF THE FORT START NEAR THE FRONT. THIS SLAT IS SPACED 2-1/2" FROM THE CORNER POST. SPACE THE REMAINING SLATS 2-3/16" APART FROM ONE ANOTHER.



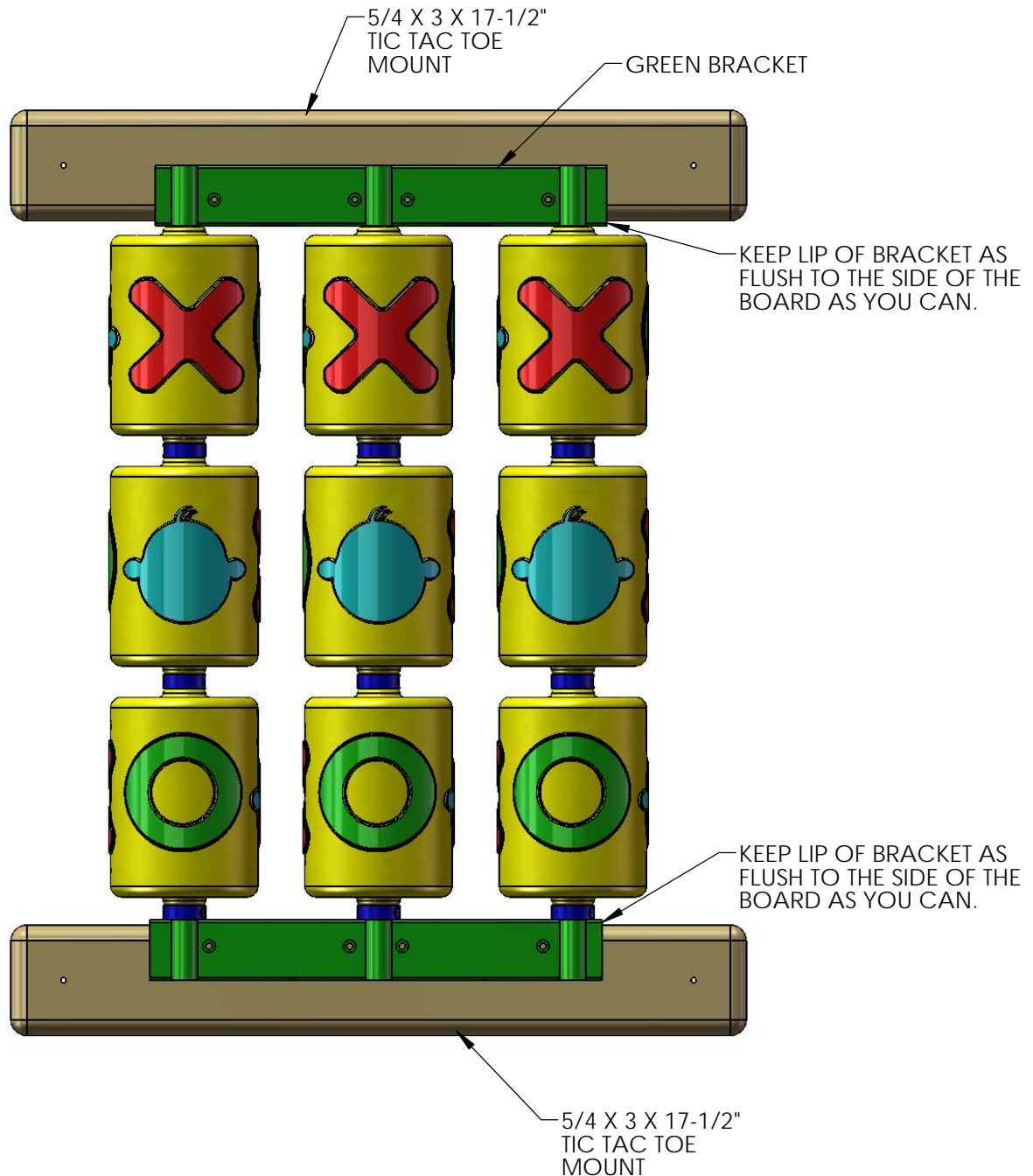
**SWING BEAM SIDE**

**REAR SIDE**



## STEP 32: TIC TAC TOE ASSEMBLY

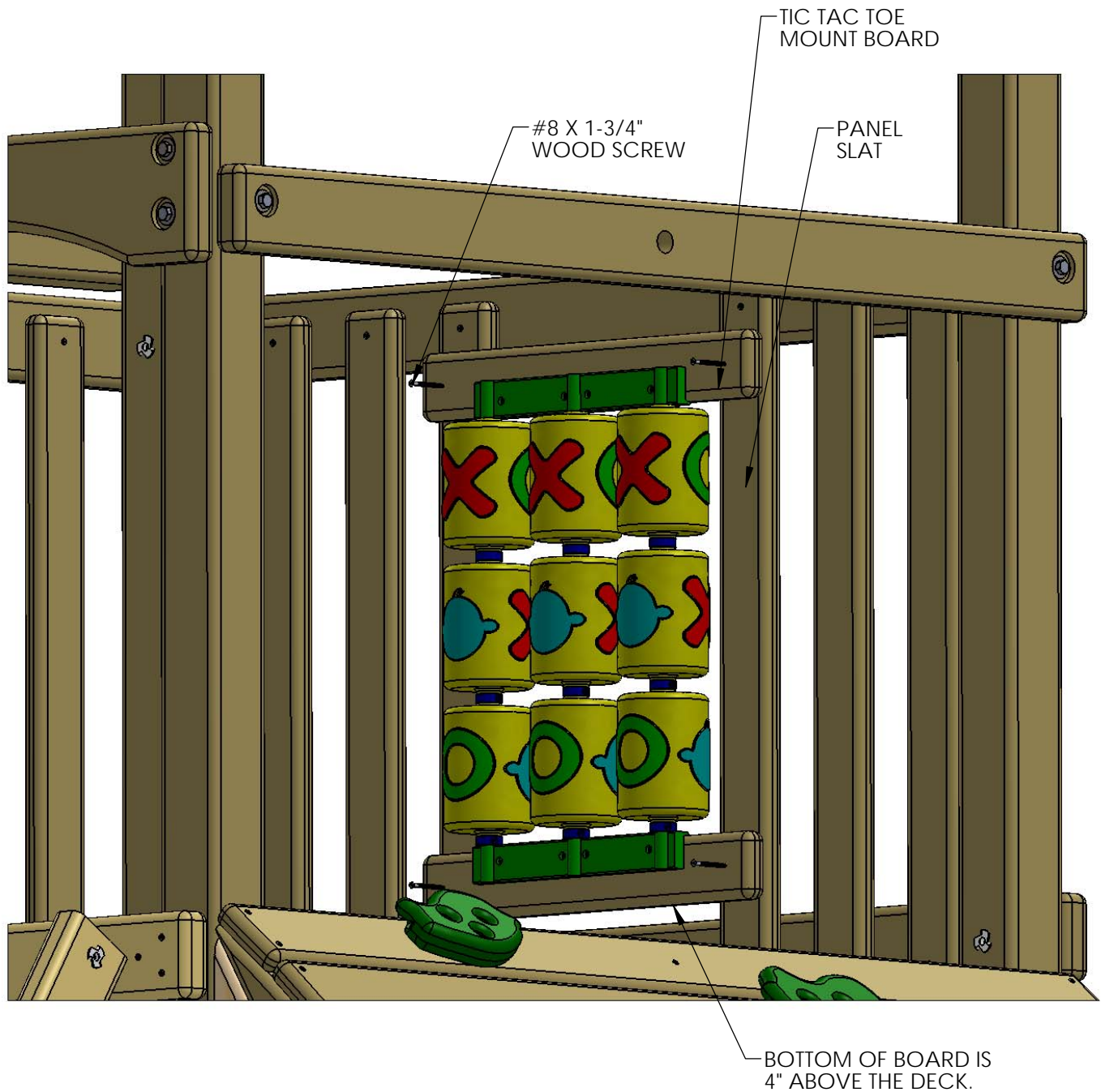
- 1: LOCATE THE TIC TAC TOE BOX. FIND THE GREEN BRACKETS INSIDE AND THE SCREWS.
- 2: LOCATE THE 5/4 X 3 X 17-1/2" TIC TAC TOE MOUNT BOARDS.
- 3: CENTER THE GREEN BRACKETS ON THE TIC TAC TOE BOARDS AND KEEP THE LIP OF THE GREEN BRACKET AS FLUSH TO THE SIDE OF THE BOARD AS YOU CAN. ATTACH THE GREEN BRACKET TO THE BOARD WITH THE SHORTEST SCREWS PROVIDED IN THE TIC TAC TOE BOX.
- 4: NOW ASSEMBLE THE TIC TAC TOE ACCORDING TO THE INSTRUCTIONS IN THE BOX.  
**IGNORE STEPS 6 AND 7 IN THE INSTRUCTIONS.**



## STEP 33: MOUNTING THE TIC TAC TOE PANEL

1: GO UP ONTO THE DECK AND PLACE THE TIC TAC TOE PANEL ASSEMBLY FROM THE PREVIOUS STEP ONTO THE BACK WALL. THE GREEN BRACKETS SHOULD FACE THE INSIDE OF THE FORT. THE BOTTOM OF THE LOWER TIC TAC TOE MOUNT BOARD SHOULD BE 4" ABOVE THE DECK.

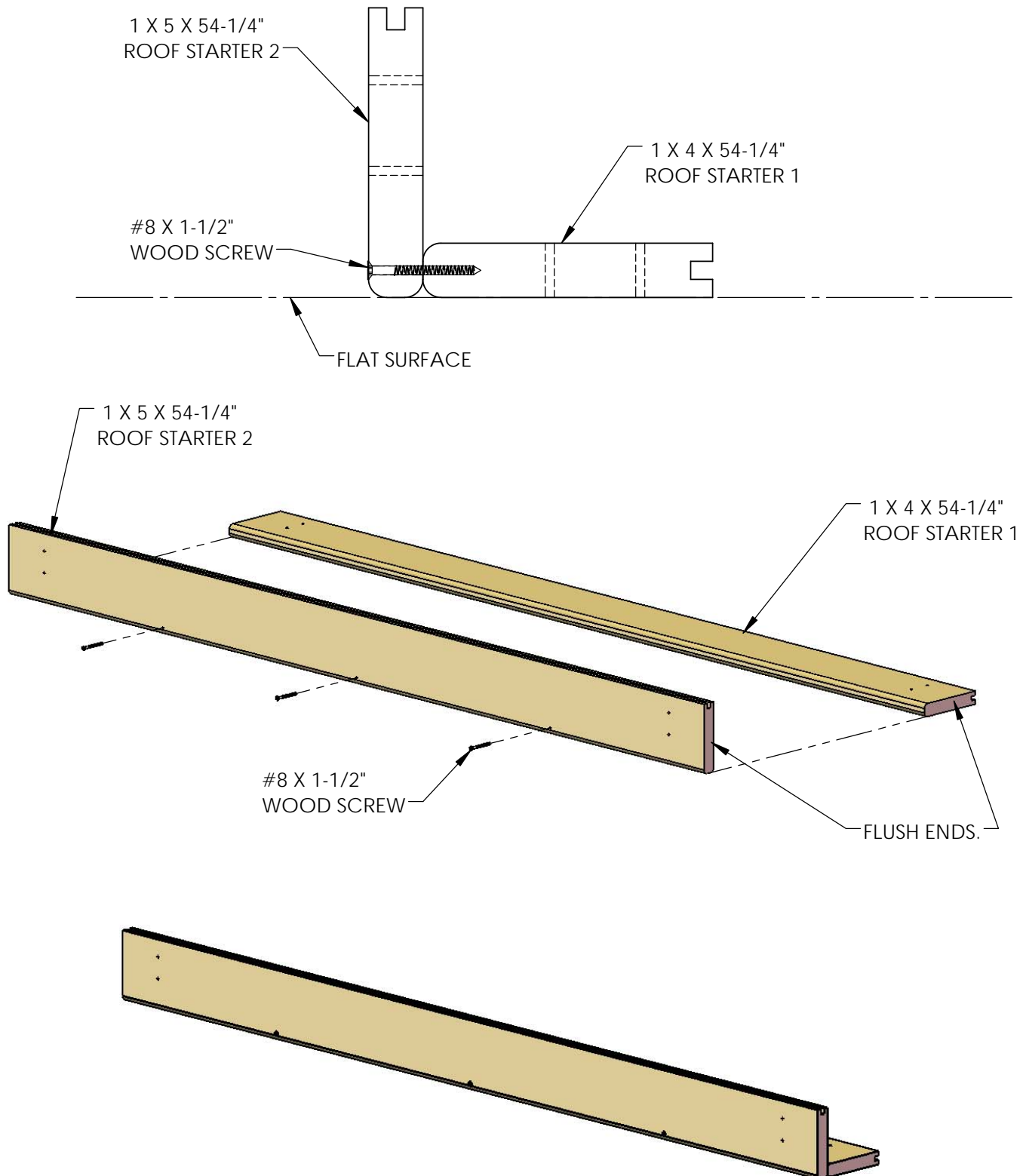
2: ATTACH EACH TIC TAC TOE MOUNT TO THE PANEL SLATS WITH TWO #8 X 1-3/4 WOOD SCREWS.



## STEP 34: ROOF PEAK ASSEMBLY

1: PLACE THE 1 X 4 X 54-1/4" ROOF STARTER 1 ON TOP OF A FLAT SURFACE. PLACE THE FLAT SIDE OF THE 1 X 5 X 54-1/4" ROOF STARTER 2 ON TOP OF THE FLAT SURFACE AGAINST ROOF STARTER 1.

2: MAKE THE ENDS OF THE BOARDS FLUSH. FASTEN THE BOARDS TOGETHER WITH THREE #8 X 1-1/2" WOOD SCREWS.

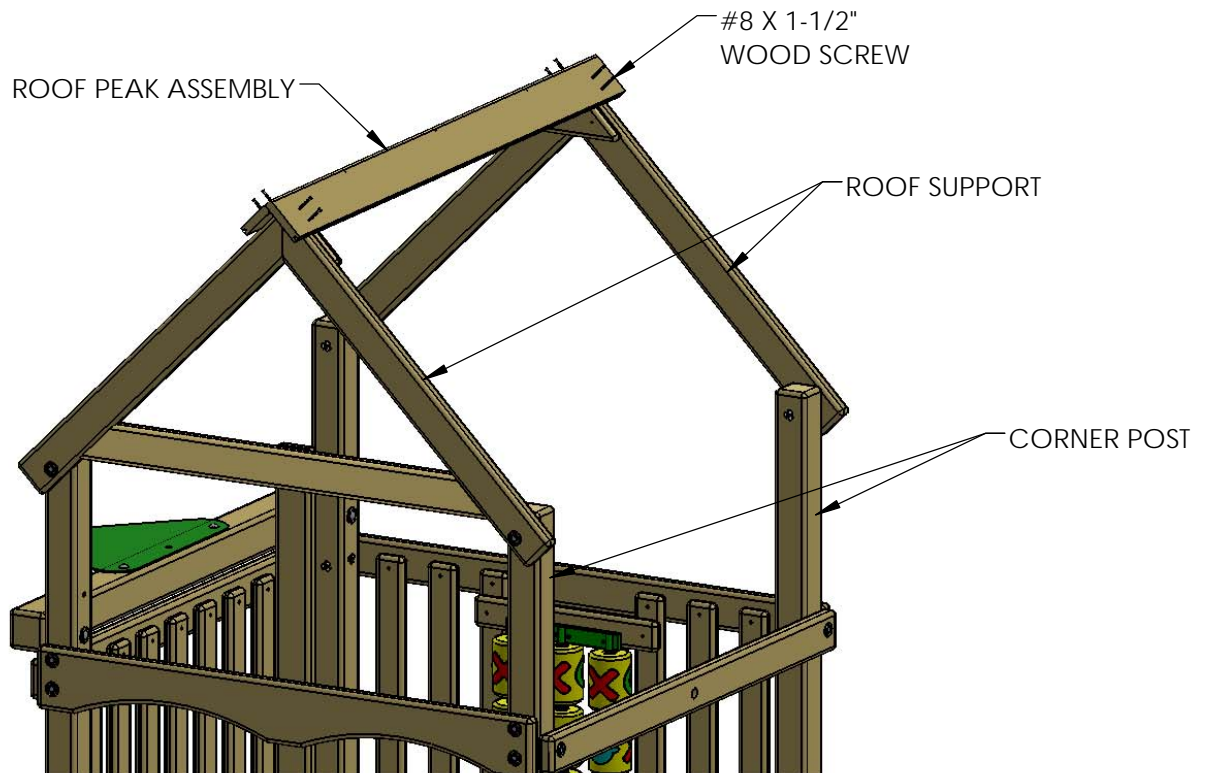
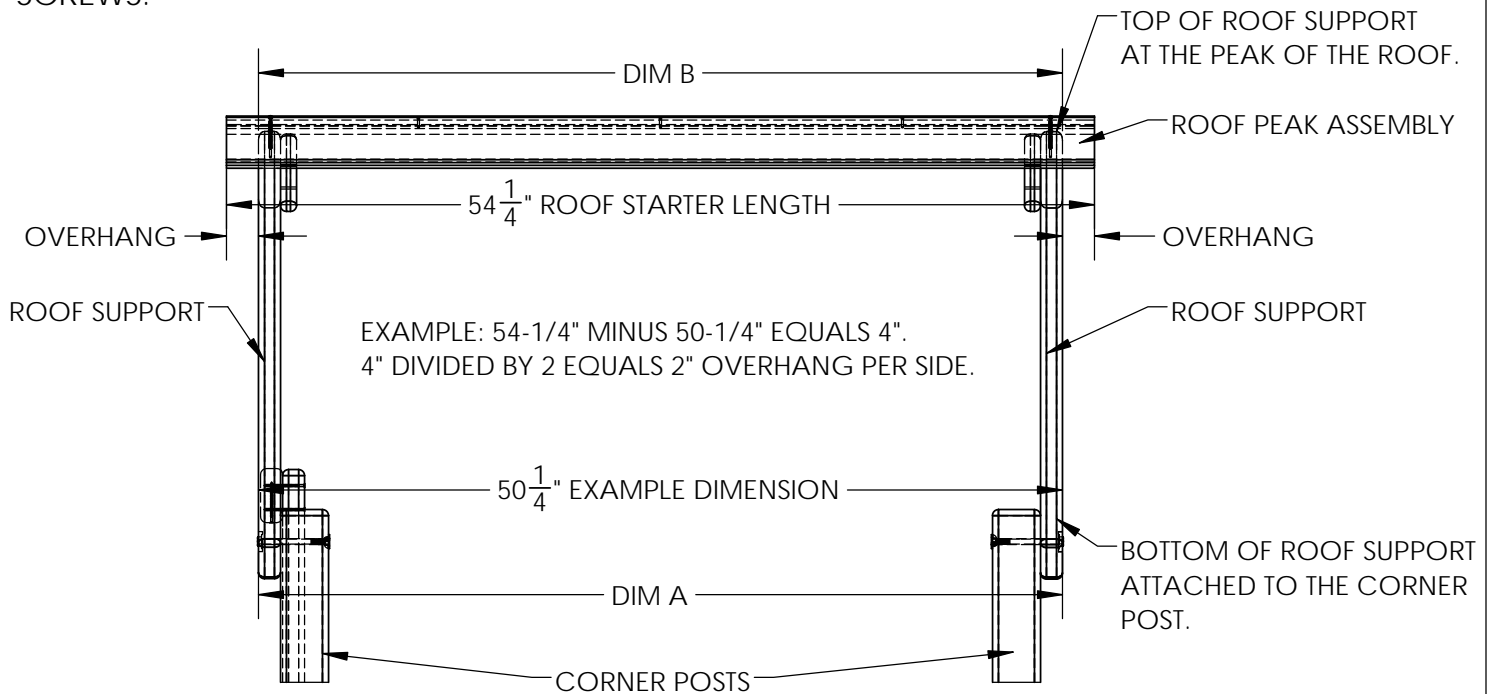


# STEP 35: ROOF PEAK INSTALLATION

1: PLACE THE ROOF PEAK ASSEMBLY ON TOP OF THE ROOF SUPPORTS.

2: MEASURE ACROSS THE ROOF SUPPORTS AT THE TOP OF THE CORNER POSTS. MAKE THIS DIM A. MEASURE ACROSS THE ROOF SUPPORTS NEAR THE ROOF PEAK. MAKE THIS DIM B. DIM B SHOULD MATCH DIM A. THIS WILL MAKE THE ROOF SUPPORTS PARALLEL TO EACH OTHER. DUE TO WOOD MILLING VARIATIONS THE HOLES WILL EITHER BE CENTERED ON THE ROOF SUPPORTS OR OFF OF CENTER. SUBTRACT DIM A FROM 54-1/4" AND THEN DIVIDE THIS NUMBER BY 2. THIS WILL GIVE YOU THE OVERHANG FOR EACH SIDE. USE THE OVERHANG NUMBER ON EACH SIDE TO KEEP YOUR ROOF SUPPORTS PARALLEL.

3: FASTEN THE ROOF PEAK ASSEMBLY TO THE ROOF SUPPORTS WITH #8 X 1-1/2" WOOD SCREWS.



## STEP 36: ROOF BOARDS

DUE TO MILLING VARIATIONS IT MIGHT BE EASIEST TO INSTALL THE ROOF BOARDS AS DESCRIBED BELOW.

1: FIRST PLACE THE TONGUE OF THE FIRST ROOF BOARD INTO THE GROOVE OF THE ROOF PEAK. NOW SECURE THE TOP HOLES OF THE FIRST ROOF BOARD TO THE ROOF SUPPORTS WITH #8 X 1-1/2" WOOD SCREWS.

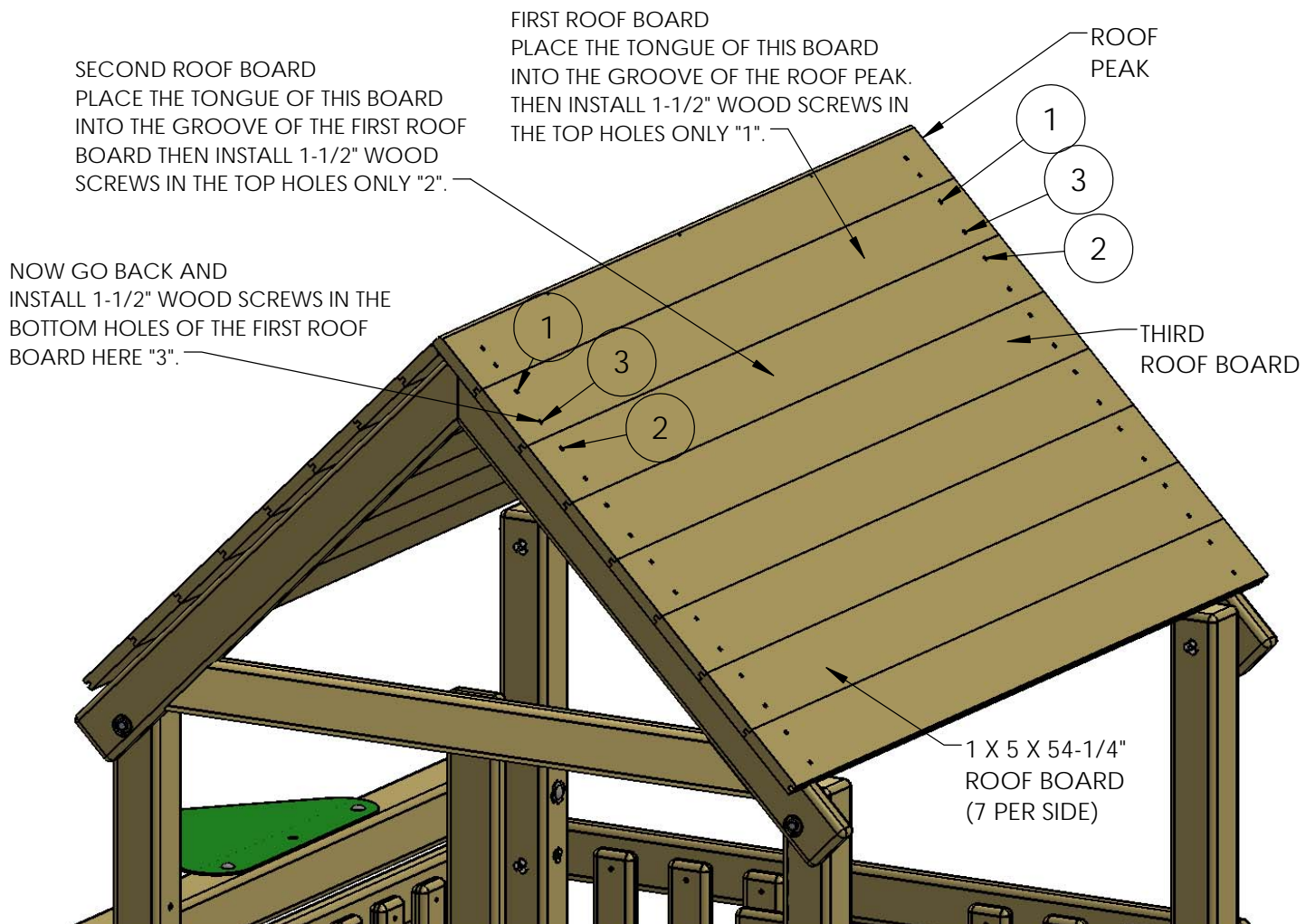
2: SECOND PLACE THE TONGUE OF THE SECOND ROOF BOARD INTO THE GROOVE OF THE FIRST ROOF BOARD. NOW SECURE THE TOP HOLES OF THE SECOND ROOF BOARD TO THE ROOF SUPPORTS WITH #8 X 1-1/2" WOOD SCREWS.

3: THIRD GO BACK AND SECURE THE BOTTOM HOLES OF THE FIRST ROOF BOARD TO THE ROOF SUPPORTS.

4: NOW PLACE THE TONGUE OF THE THIRD ROOF BOARD INTO THE GROOVE OF THE SECOND ROOF BOARD. SECURE THE TOP HOLES OF THE THIRD ROOF BOARD TO THE ROOF SUPPORTS WITH #8 X 1-1/2" WOOD SCREWS.

5: GO BACK AND SECURE THE BOTTOM HOLES OF THE SECOND ROOF BOARD TO THE ROOF SUPPORTS.

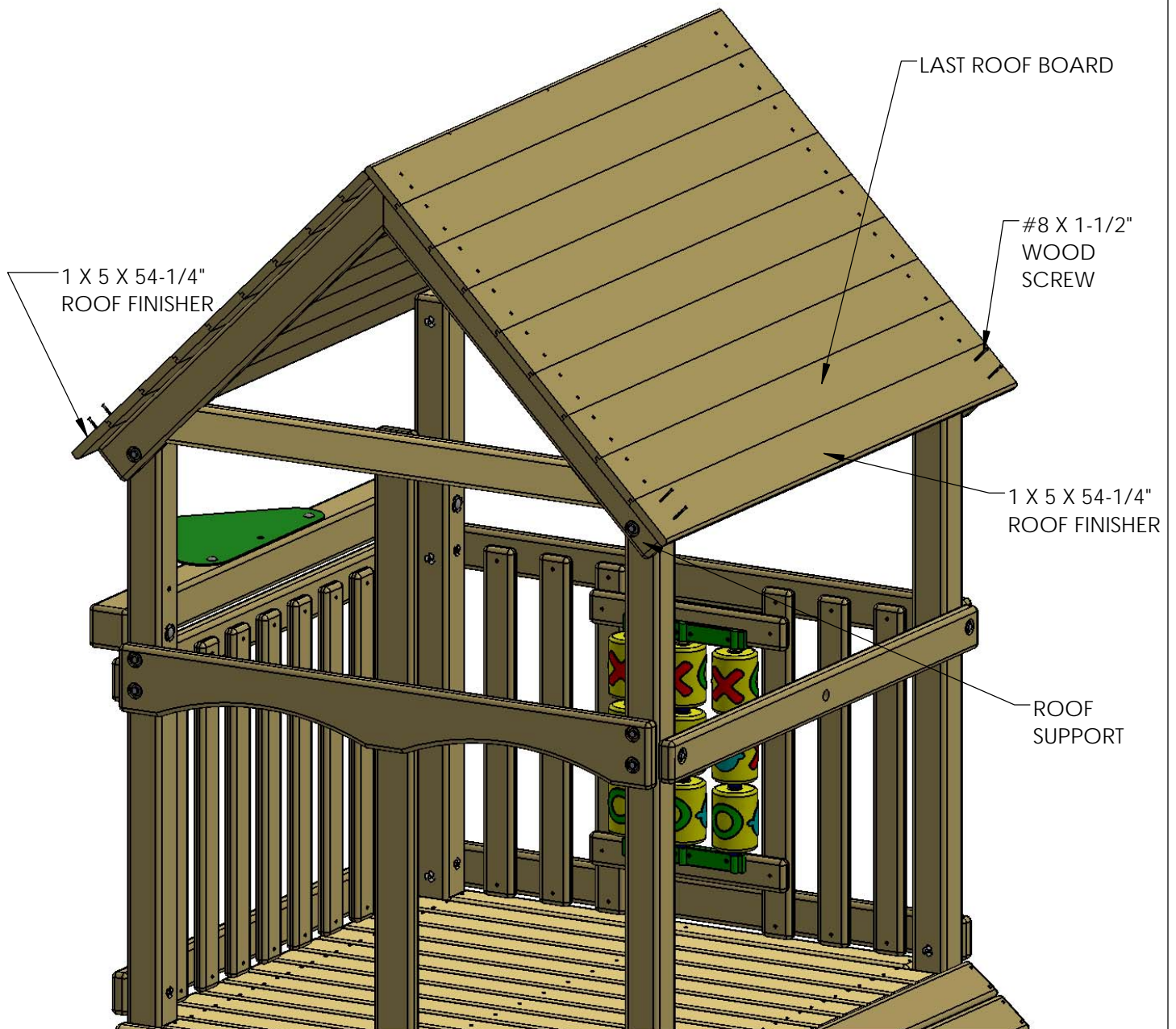
6: REPEAT THIS PROCESS FOR THE REST OF THE ROOF BOARDS ON EACH SIDE OF THE ROOF. THERE ARE SEVEN 1 X 5 X 54-1/4" ROOF BOARDS ON EACH SIDE OF THE ROOF.





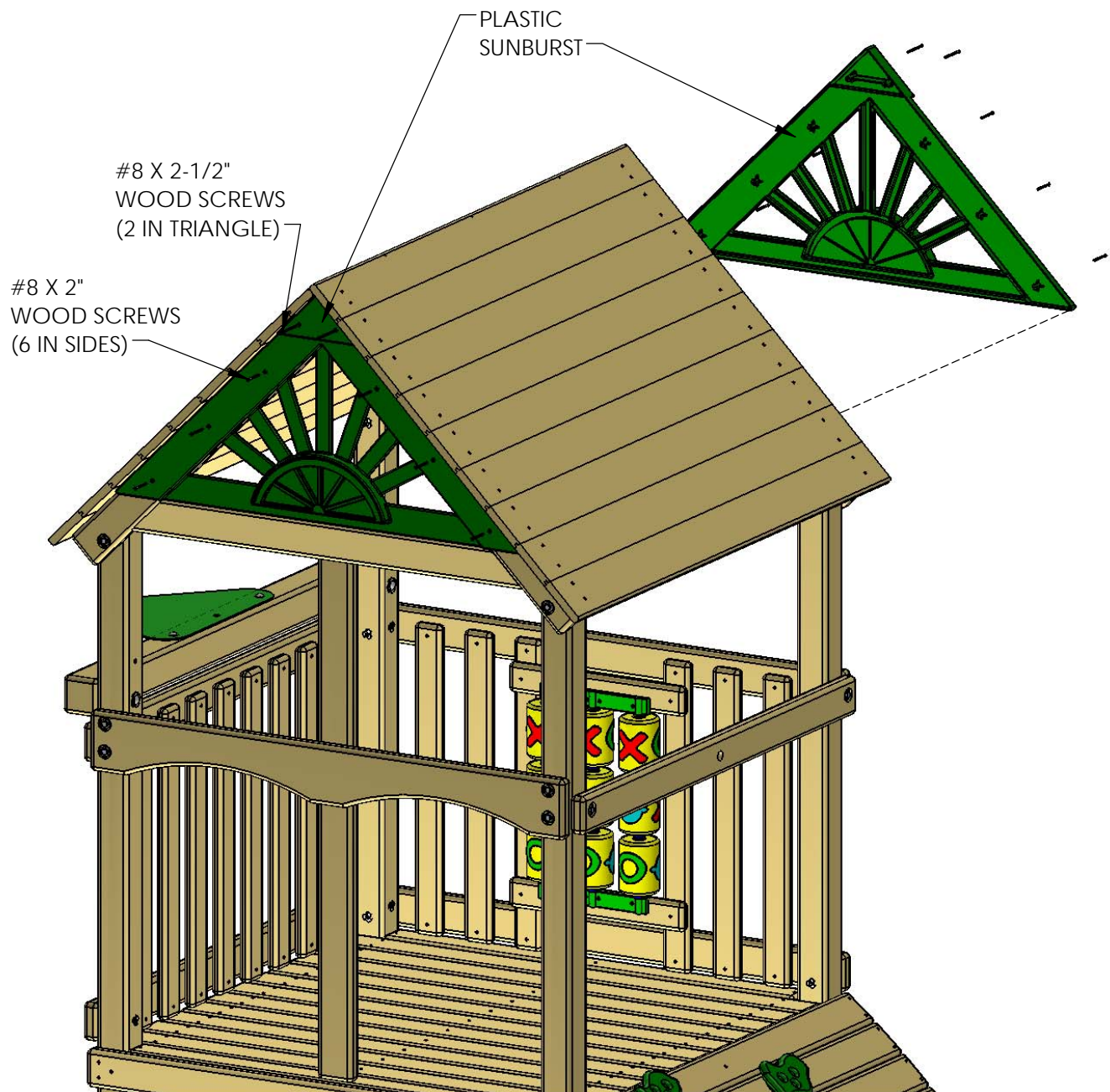
## STEP 37: ROOF FINISHERS

- 1: FIT THE TONGUE OF THE 1 X 5 X 54-1/4" ROOF FINISHER INTO THE LAST ROOF BOARD.
- 2: INSTALL THE #8 X 1-1/2" SCREWS INTO THE TOP HOLES ON EACH SIDE.
- 3: LOOK AT THE BOTTOM HOLES. IF THEY LOOK TOO CLOSE TO THE END OF THE ROOF SUPPORT THEN DRILL A NEW 1/8" HOLE ABOVE THEM.
- 4: INSTALL THE #8 X 1-1/2" SCREWS INTO THE BOTTOM HOLES ON EACH SIDE.



## STEP 38: PLASTIC SUNBURST

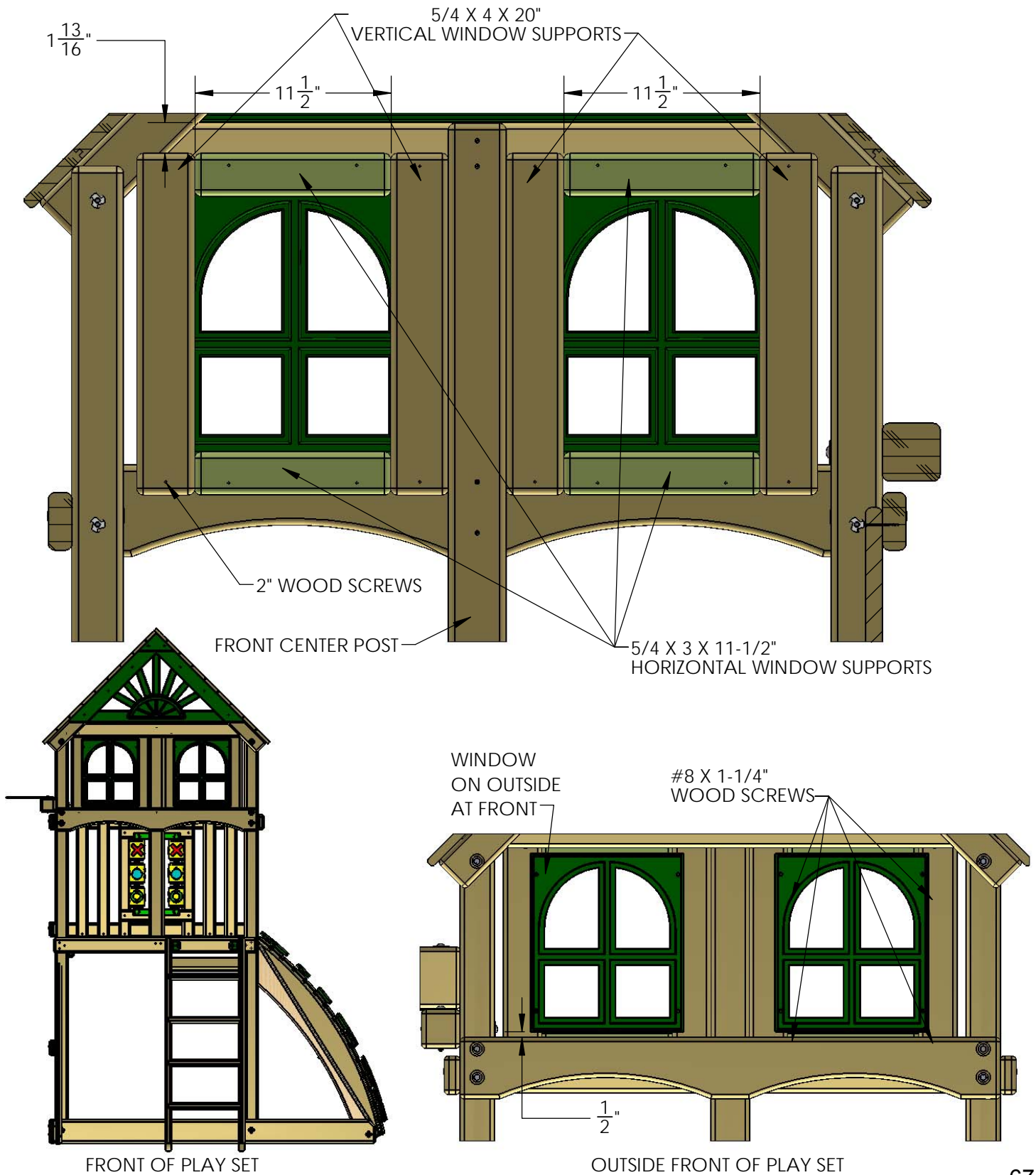
- 1: LOCATE TWO OF THE PLASTIC SUNBURST PIECES SHOWN BELOW
- 2: PLACE THE SUNBURST UNDERNEATH THE OVERHANG OF THE ROOF.
- 3: ATTACH THE "TRIANGLE" PORTION OF THE SUNBURST TO THE ROOF SUPPORTS WITH #8 X 2-1/2" WOOD SCREWS. FASTEN THE SIDES OF THE SUNBURST TO THE ROOF SUPPORTS WITH #8 X 2" WOOD SCREWS.
- 4: REPEAT SUBSTEPS 2-3 FOR THE OTHER SUNBURST ON THE OTHER SIDE OF THE ROOF.



# STEP 39: INSTALLING WINDOW SUPPORTS / WINDOWS

IN THIS STEP THE WOOD COMPONENTS TO ATTACH THE WINDOWS WILL BE INSTALLED ON THE INSIDE OF THE FRONT OF THE PLAYSET. GO UP ON TOP OF THE FORT AND LOOK FOR THE FRONT OF THE PLAY SET.

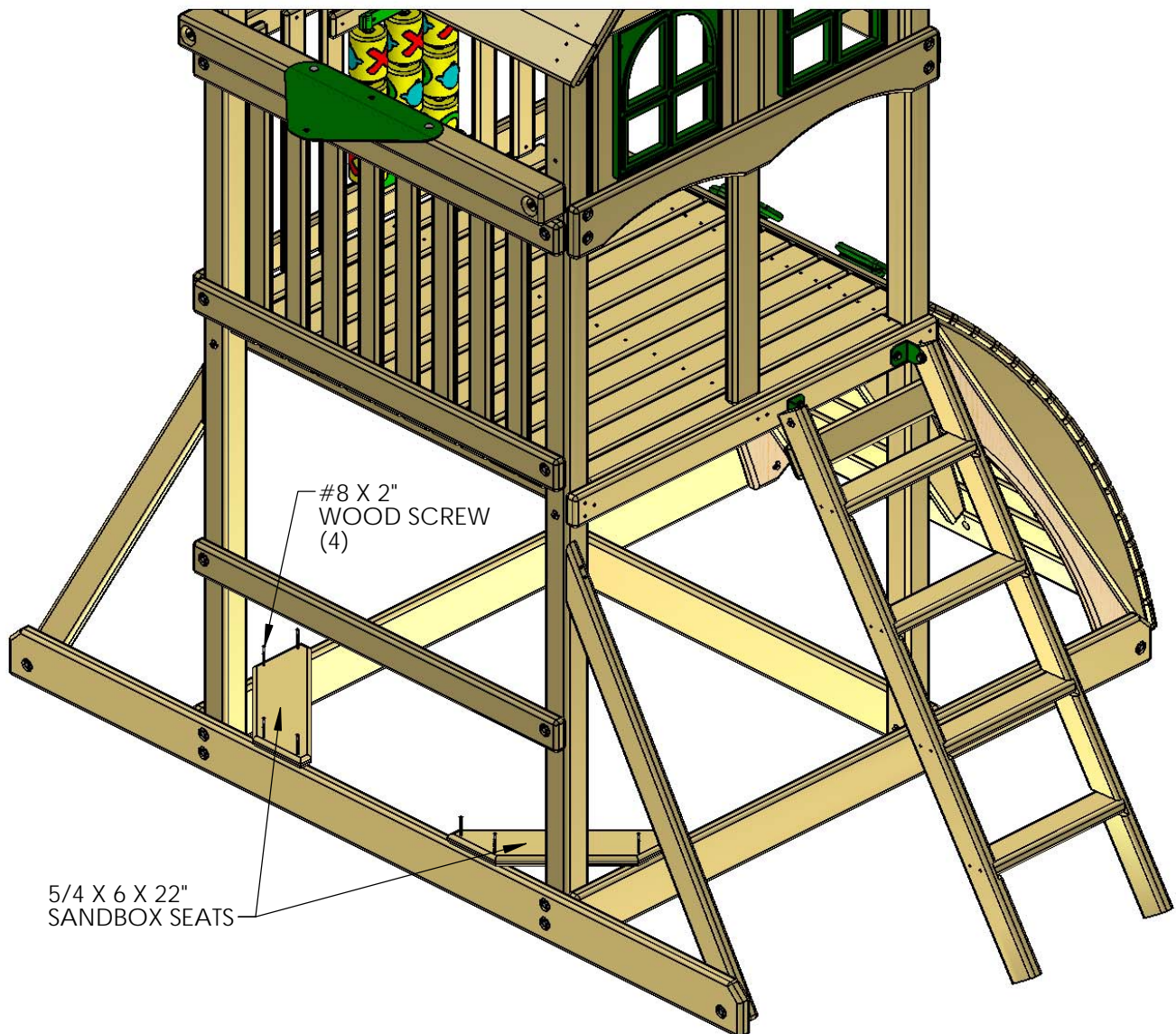
- 1: ATTACH THE 5/4 X 4 X 20" VERTICAL WINDOW SUPPORTS NEXT TO THE CENTER POST ON BOTH SIDES WITH 2" WOOD SCREWS.
- 2: ATTACH THE 5/4 X 3 X 11-1/2" HORIZONTAL WINDOW SUPPORTS AT THE TOP WITH 2" WOOD SCREWS.
- 3: ATTACH THE 5/4 X 3 X 11-1/2" HORIZONTAL WINDOW SUPPORTS AT THE BOTTOM WITH 2" WOOD SCREWS.
- 4: ATTACH THE 5/4 X 4 X 20" VERTICAL WINDOW SUPPORTS NEXT TO THE HORIZONTAL WINDOW SUPPORTS WITH 2" WOOD SCREWS.
- 5: GO TO THE OUTSIDE FRONT OF THE PLAYSET AND INSTALL THE WINDOWS WITH 1-1/4" WOOD SCREWS.



## STEP 40: SANDBOX SEATS

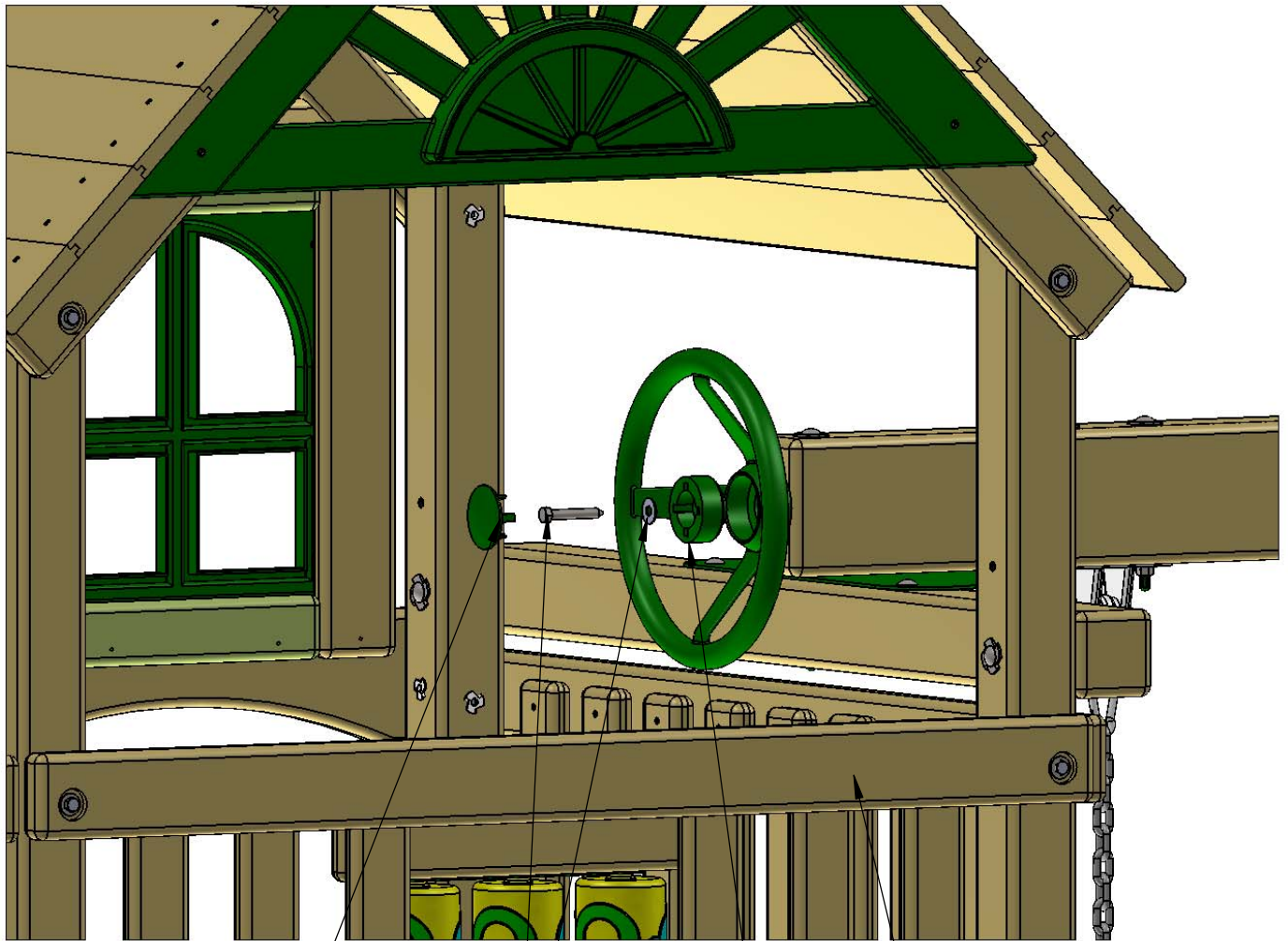
1: PLACE THE SANDBOX SEATS ON TOP OF THE SANDBOX BOARDS AS SHOWN BELOW.

2: ATTACH EACH 5/4 X 6 X 22" SANDBOX SEAT TO THE TOP OF THE SANDBOX BOARD WITH FOUR #8 X 2" WOOD SCREWS.



## STEP 41: STEERING WHEEL

- 1: PLACE THE STEERING WHEEL INSERT INSIDE THE STEERING WHEEL.
- 2: USE THE HARDWARE INCLUDED WITH THE STEERING WHEEL TO MOUNT THE STEERING WHEEL TO THE END OF THE SWING BEAM. DO NOT OVER-TIGHTEN THE LAG SCREW INTO THE STEERING WHEEL, OR IT WILL NOT TURN.
- 3: SNAP THE STEERING WHEEL CAP ONTO THE STEERING WHEEL INSERT.



STEERING WHEEL CAP

INCLUDED HARDWARE  
1- LAG SCREW  
1-WASHER

STEERING WHEEL INSERT

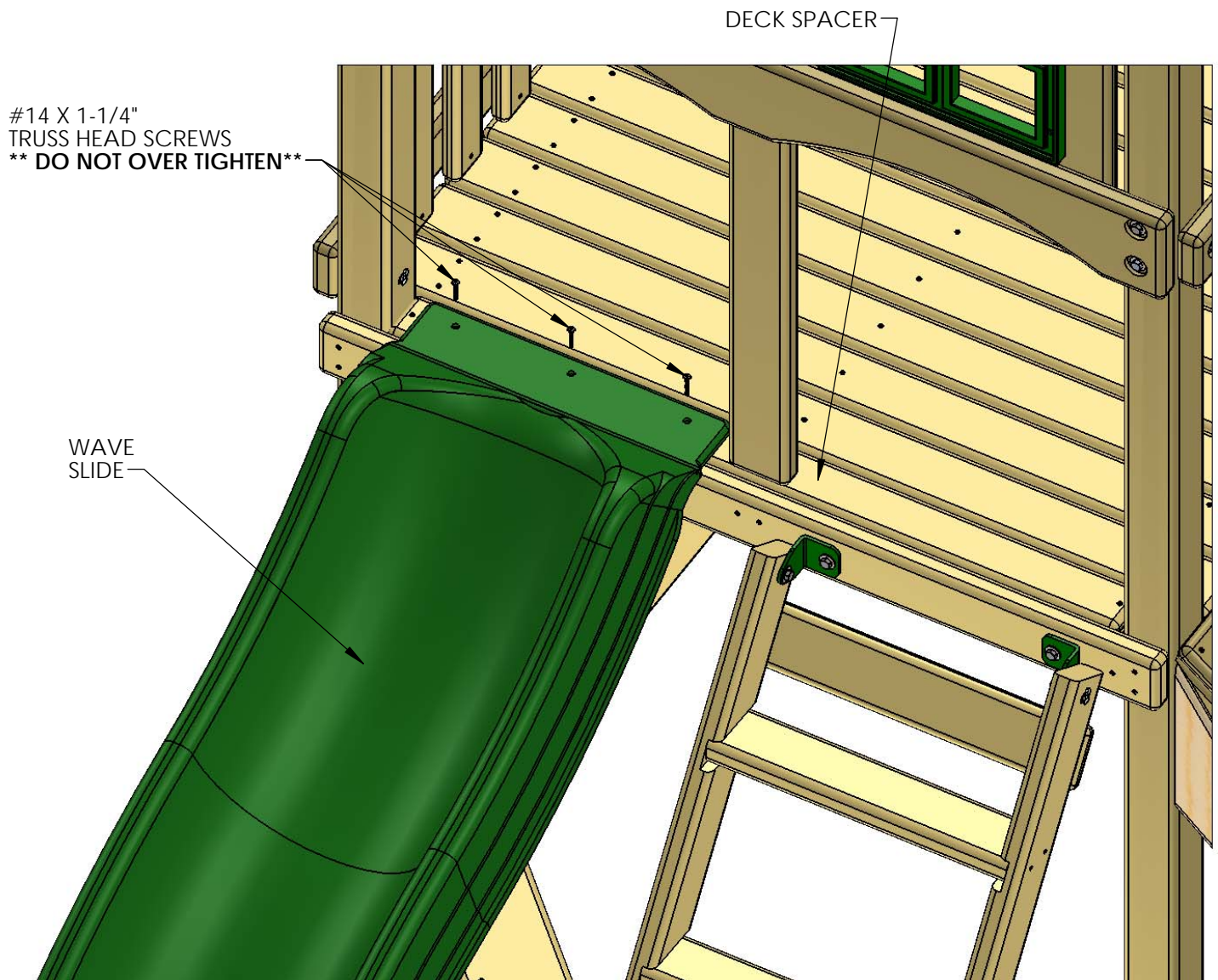
STEERING WHEEL

## STEP 42: INSTALLING THE SLIDE

1: LAY THE SLIDE ON DECK EXTENDING ONTO/OVER THE DECK SPACER.

2: SECURE THE SLIDE TO THE DECK SPACER WITH THREE #14 X 1-1/4" TRUSS HEAD SCREWS. YOU MAY PREDRILL 1/8" HOLES AT THE INDENTATIONS IN THE SLIDE IF YOU WISH.

**\*\*DO NOT OVER TIGHTEN\*\***

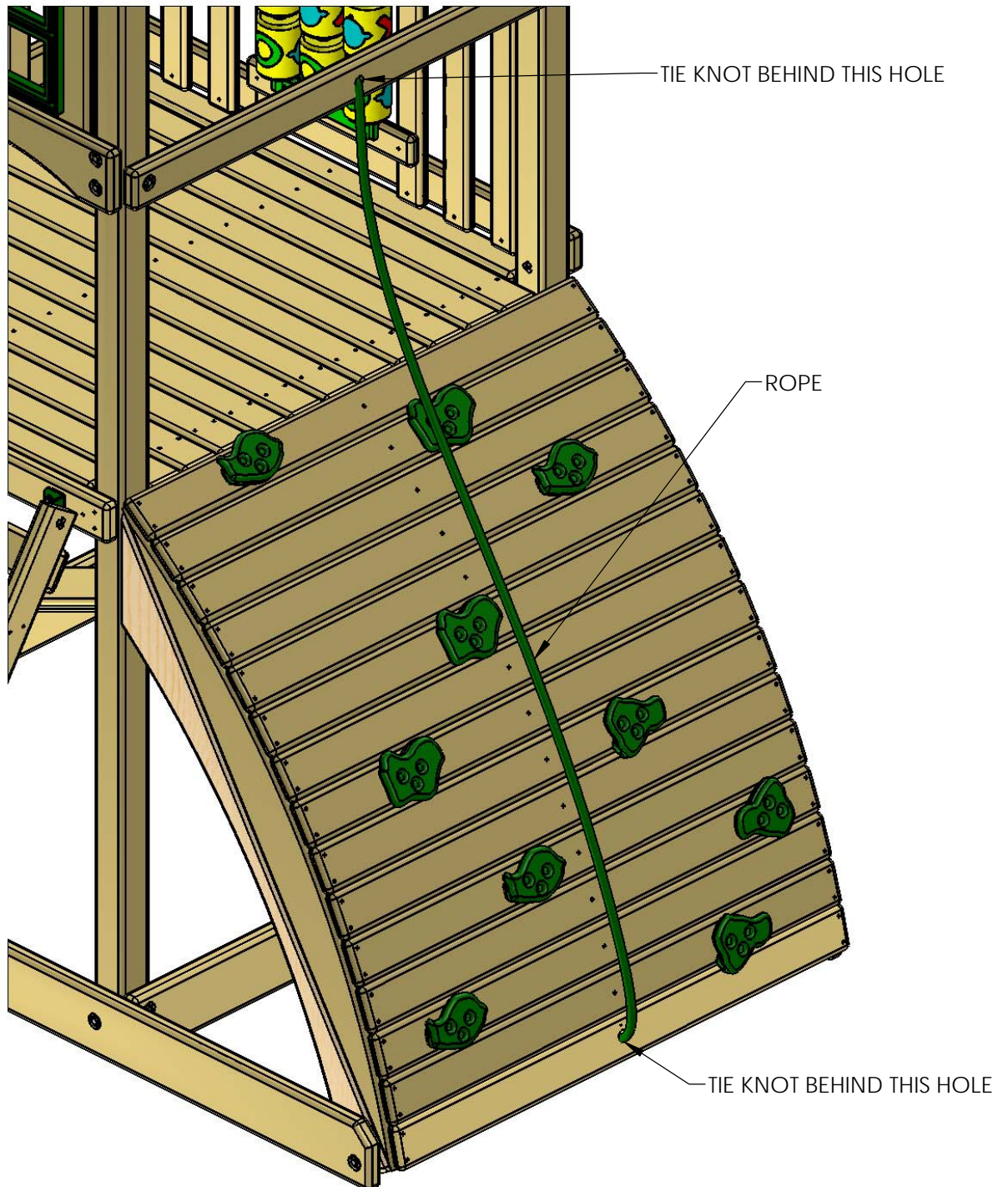


## STEP 43: CLIMBING ROPE

1: THREAD ONE END OF THE 10" ROPE THROUGH THE HOLE ABOVE THE ROCK WALL. TIE SECURE KNOT ON THE INSIDE OF THE TOP PANEL BOARD. ADD KNOTS IN ROPE TO AID IN CLIMBING. SET KNOTS ACCORDING TO YOUR CHILD'S NEEDS. 2-3 KNOTS SHOULD BE SUFFICIENT.

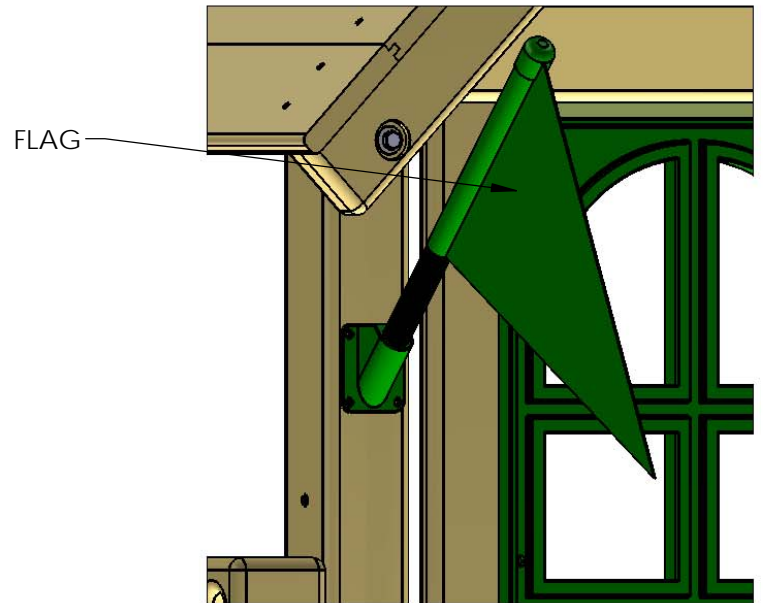
2: THREAD THE OTHER END OF THE ROPE THROUGH THE HOLE IN THE BOTTOM ROCK WALL BOARD. PULL THE ROPE TIGHT AND TIE A SECURE KNOT BEHIND THE BOTTOM ROCK WALL BOARD.

3: ATTEMPT TO WRAP THE ROPE AROUND YOUR HAND. IF THE ROPE WRAPS AROUND YOUR HAND IT IS TOO LOOSE. UNTIE THE TOP KNOT AND RETIE THE ROPE UNTIL IT NO LONGER WRAPS AROUND YOUR HAND.

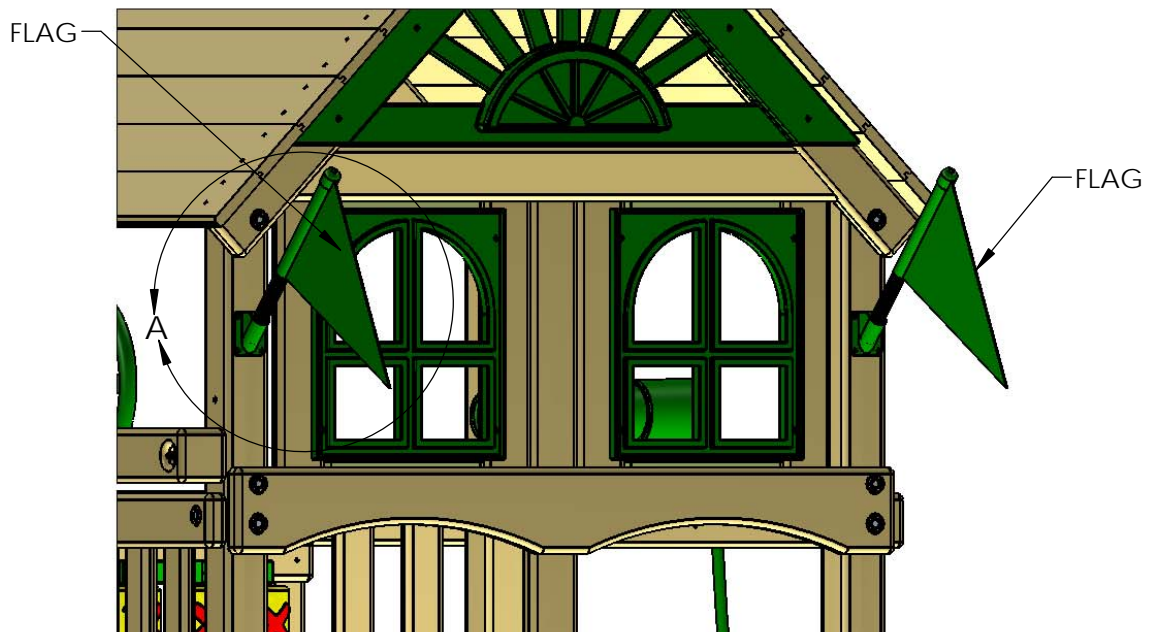


## STEP 44: FLAG KITS

1: INSTALL THE FLAG KITS ON THE CORNER POSTS AT THE FRONT OF THE FORT. ATTACH THE FLAG KITS WITH THE HARDWARE PROVIDED.



DETAIL A



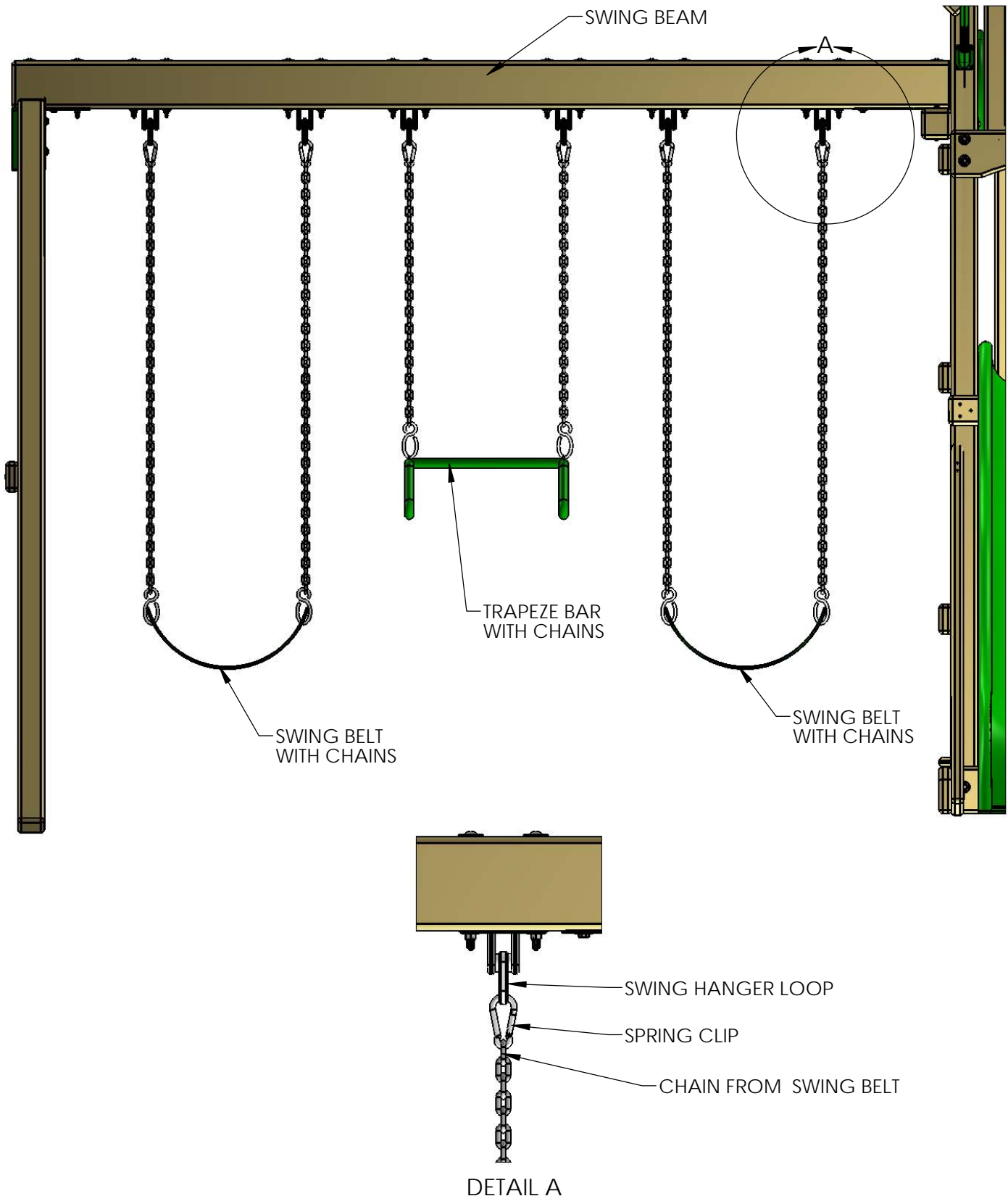


## STEP 45: HANGING SWINGS

1: LOCATE TWO SWING BELTS WITH CHAINS ATTACHED AND ONE TRAPEZE BAR WITH CHAINS ATTACHED.

2: SNAP A SPRING CLIP THROUGH THE SWING HANGER LOOP ON THE SWING BEAM.

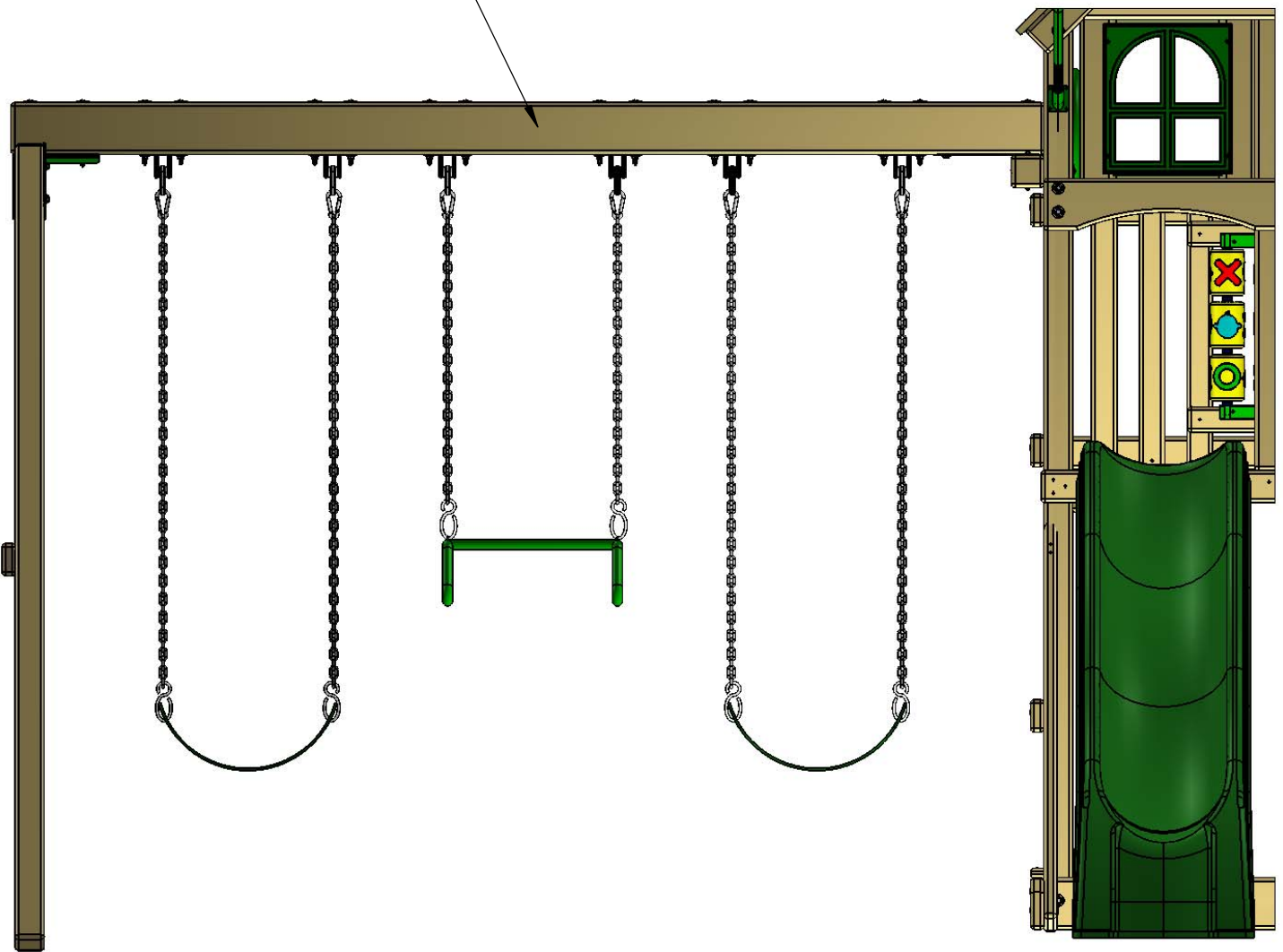
3: SNAP A CHAIN ONTO EACH SPRING CLIP. ADJUST EACH SWING UP OR DOWN BY CLIPPING ONTO HIGHER OR LOWER CHAIN LINKS.



## STEP 46: NAME PLATE

1: ATTACH THE NAME PLATE TO THE MIDDLE OF THE SWING BEAM WITH TWO #8 X 1-1/2" WOOD SCREWS.

—ATTACH NAME PLATE HERE WITH TWO #8 X 1-1/2" WOOD SCREWS



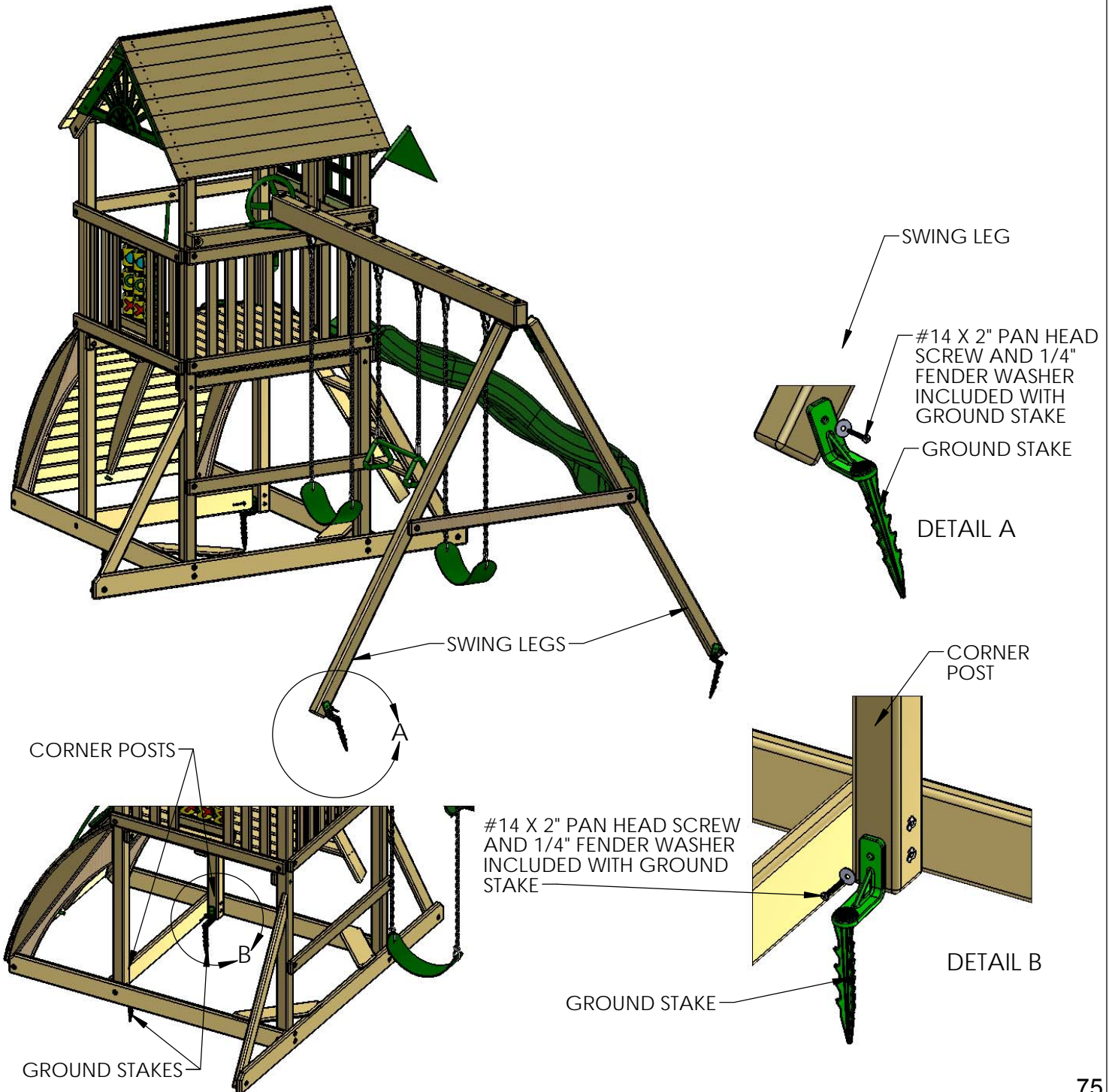
## STEP 47: GROUND STAKES

1: HAMMER A GROUND STAKE INTO THE EARTH NEXT TO EACH SWING LEG AT AN ANGLE. DO NOT HOLD THE UPPER PORTION OF THE STAKE AFTER THE FIRST COUPLE OF HITS OR IT MAY VIBRATE HARSHLY AGAINST YOUR HAND. IF THE TOP PART OF THE STAKE TWISTS WHEN IT ENCOUNTERS A ROCK OR ROOT YOU MAY HAVE TO BEND THE TOP PORTION OF THE STAKE AGAINST THE SWING LEG. FINALLY INSTALL THE SCREW AND WASHER.

2: ATTACH EACH GROUND STAKE TO THE SWING LEG WITH A #14 X 2" PAN HEAD SCREW AND A 1/4" FENDER WASHER PROVIDED WITH THE GROUND STAKE.

3: ON THE CORNER POSTS ON THE ROCK WALL SIDE OF THE FORT, DRIVE THE GROUND STAKES INTO THE GROUND TO A DISTANCE THAT WILL NOT INTERFERE WITH THE T-NUTS OR HEX BOLTS THAT ARE INSTALLED IN THE SANDBOX BOARDS. THE GROUND STAKES WILL BE ON THE INSIDE OF THE SANDBOX ON THE CORNER POSTS.

4: ATTACH EACH GROUND STAKE TO THE CORNER POST WITH A #14 X 2" PAN HEAD SCREW AND A 1/4" FENDER WASHER PROVIDED WITH THE GROUND STAKE.



## STEP 48: SAFETY HANDLES

1: LOCATE THE SAFETY HANDLE BAG. PLACE A SAFETY HANDLE ON THE CORNER POST AND FRONT CENTER POST. ADJUST THE HEIGHT TO SUIT THE NEEDS OF YOUR CHILD.

2: USE THE HARDWARE INCLUDED WITH THE SAFETY HANDLES TO ATTACH EACH HANDLE TO THE CORNER POST OR FRONT CENTER POST.

#14 X 1-1/4" PAN HEAD SCREW AND 1/4" FLAT WASHER INCLUDED WITH SAFETY HANDLES.

SAFETY HANDLES

CORNER POST



## STEP 49: TELESCOPE

1: WITH THE 1-1/4" WOOD SCREWS PROVIDED IN THE TELESCOPE BAG, FASTEN ONE OF THE SQUARE TELESCOPE BRACKETS TO THE ROCK WALL ROPE SUPPORT.

2: PLACE THE TELESCOPE STAND AND TELESCOPE INTO THE SLOT OF THE TELESCOPE BRACKET.

3: FASTEN THE REMAINING TELESCOPE BRACKET TO THE OPPOSITE SIDE THAT THE FIRST TELESCOPE BRACKET WAS INSTALLED ON WITH THE 1-1/4" WOOD SCREWS PROVIDED WITH THE TELESCOPE.

NOTE THE REMAINING TWO BRACKETS THAT ARE "C" SHAPED ARE FOR MOUNTING THE TELESCOPE ON TOP OF A 4 X 4 PIECE OF WOOD. THEY MAY BE RECYCLED OR YOU MAY RETAIN THEM IF YOU WISH.

