

**2981-20G**

**- NOTICE -**

**This playset product is not intended for public use. It is intended for residential application and is not warranted for public or commercial use.**



***Call Us First!***  
***DO NOT RETURN TO STORE.***

**For immediate help with assembly or product information**

**Call our toll-free number:**

**1-866-890-2211**

**April through October M - F 8:00 AM to 6:00 PM EST**

**Saturday 8:30 AM to 4:30 PM EST**

**November through March M - F 8:00 AM to 5:00 PM EST**

**or email:**

***customerservice@backyard-play.com***

**Our staff is ready to provide assistance.**

(This page intentionally left blank.)

Customer Service  
1-866-890-2211  
1000 Ternes Drive  
Monroe, MI 48162



Model 4431, 5034,  
6401

## Recommended for Ages 3 to 11

### - BEFORE YOU BEGIN -

#### Tools Required

Socket Set

Hammer

9/16" Combination  
Wrench

3/16" Allen Wrench

#2 Square Drive  
Bit

T-20 Torque Drive  
Bit

#3 Phillips Bit

Cordless Drill  
w/Charger

1/8" Drill Bit

7/16" Drill Bit

1/4" Drill Bit

3/8" Drill Bit

Tape Measure

Level

C - Clamps

8' Step Ladder

Framing/Speed  
Square

#### First...

- Check with your homeowner's association before assembling.
- Read instructions thoroughly before you begin. If you have purchased accessories to accompany this play set, please read all installation instructions before beginning assembly of this structure.

#### Check All Parts

- If a part is missing, circle the part in question and call.

#### Important

- In a drawing, a dotted line represents a part hidden from view (like a part under a panel).

#### Adult Assistance required

- Assistance is necessary to handle, fit and secure some components.

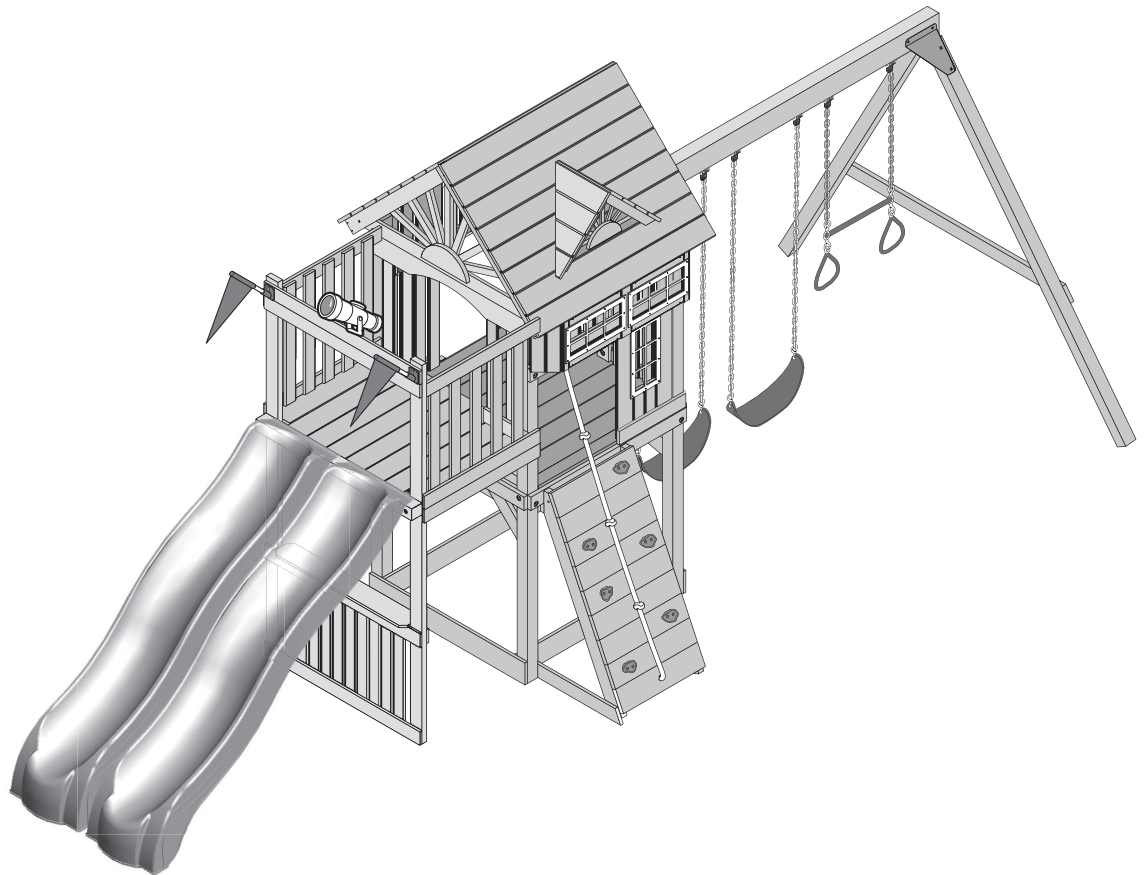
#### Squareness is very Important!

Start with a level surface and keep 90° corners and 90° perpendiculars throughout the assembly to ensure all components fit together.

#### Safety!

- Check for protruding screws and bolts, verify all screw and bolt lengths during assembly.

**Always wear OSHA-APPROVED safety glasses throughout assembly process.**



### - NOTICE -

**This playset product is not intended for public use. It is intended for residential application and is not warranted for public or commercial use.**

Your premium playset is manufactured from wood which has many natural characteristics and blemishes that may be present in some of the pieces in your playset. These natural characteristics may include knots or minor cracks/splits. All individual parts have been cut to provide a smooth and safe surface. All parts have been inspected to assure we pack only the safest, most durable wood product. Any minor blemishes in your playset will not affect the strength, durability, or structural integrity of the finished product. Our limited warranty does not cover the imperfections not resulting in structural failure.

## ASSEMBLY SAFETY and HELPFUL HINTS

**STOP!**

**STOP!!!** Check all parts and hardware before beginning. If any parts are missing or damaged please circle and call the phone number listed.  
**DO NOT CONTACT THE STORE OR RETURN YOUR PLAYSET !**

**STOP!**

**KEEP THIS INSTALLATION MANUAL FOR FUTURE CARE AND MAINTENANCE REFERENCE.**

**To aid in making your playset assembly easier, here is a listing of some helpful hints.**

- Wear safety glasses during drilling, assembly of your playset.
- Children should not be allowed in the playset assembly and build area.
- Note the hole orientation on parts to avoid having to take parts apart later.
- Some steps require the assistance of two people to ensure proper assembly, safety during assembly, as well as preventing any damage to the playset.

**STOP!**

**\*IMPORTANT HARDWARE INFORMATION\***

**STOP!**



- All hex bolts and lag bolts require a lock washer or lock nut.
- To properly install lock nuts, two to three threads must protrude past the lock nut and be exposed once tightened.



- Due to wood characteristics and the manufacturing process hex bolts may protrude past a surface. If this condition occurs add additional supplied washers to eliminate bolt protrusion.
- To aid in proper assembly pound T-nuts into their respective hole prior to assembly
- Pound in T-nuts while the part is on the ground to ensure proper seating.
- Use a soft material under parts when pounding in T-nuts to ensure no scratching or de-facing of parts.



- Make sure all fasteners used are as specified. Using a fastener not specified in a particular application may result in too much thread exposure or not enough thread engagement.





# MAINTENANCE

**Periodic maintenance is required to ensure safe enjoyment of your playset and optional accessories.**

**Observing the following procedures reduces the likelihood of serious or fatal injury.**



**Activity on your playset and optional accessories may loosen fasteners. Check all lock nuts, hex and lag bolts, quick clips, spring clips, acorn nuts, wood screws, and swing hangers for tightness and tighten as required. T-nuts should be inspected for full and proper seating into the wood.**

- Checking, splitting and surface cracking are characteristics of all wooden playsets. This is caused by varying seasonal temperatures and moisture conditions. To minimize this checking and/or cracking you may coat your playset with a water repellent.

## PLAYSET CHECKLIST

### At the beginning of each play season:

- Tighten all hardware.
- Lubricate all metallic moving parts per manufacturer's instructions.
- Check all protective coverings on bolts, pipes, edges, and corners. Replace if they are loose, cracked, or missing.
- Check all moving parts including swing seats, ropes, cables, and chains for wear, rust, or other deterioration. Replace as needed.
- Check metal parts for rust. If found, sand and repaint using a nonleaded-based paint meeting the requirements of 16 CFR 1303.
- Check all wood members for deterioration and splinters. Sand down splinters and replace deteriorating wood members.
- Reinstall any plastic parts, such as swing seats or any other items that were removed for the cold season.
- Rake and check depth of loose fill protective surfacing materials to prevent compaction and to maintain appropriate depth. Replace as necessary.

### Twice a month during play season:

- Tighten all hardware.
- Check all protective coverings on bolts, pipes, edges, and corners. Replace if they are loose, cracked, or missing.
- Rake and check depth of loose fill protective surfacing materials to prevent compaction and to maintain appropriate depth. Replace as necessary.

### Once a month during play season:

- Lubricate all metallic moving parts per manufacturer's instructions.
- Check all moving parts including swing seats, ropes, cables, and chains for wear, rust, or other deterioration. Replace as needed.
- At the end of each play season or when the temperature drops below 10°F remove plastic swing seats, tents, sandbox cover, tire swing, slide and other items as specified by the manufacturer and take indoors or do not use.
- Rake and check depth of loose fill protective surfacing materials to prevent compaction and to maintain appropriate depth. Replace as necessary.

**When you are ready to dispose of your playset, make sure that all metal, plastic and wood components are disposed of in accordance with local waste ordinances.**

**Buyer and/or owner should disassemble and dispose of the playground equipment in such a way that no unreasonable hazards will exist at the time the swing set is discarded.**

# PLAYGROUND SURFACING MATERIALS

## SECTION 4 OF THE CONSUMER PRODUCT SAFETY COMMISSION'S OUTDOOR HOME PLAYGROUND SAFETY HANDBOOK<sup>9</sup>

### Select Protective Surfacing

One of the most important things you can do to reduce the likelihood of serious head injuries is to install shock-absorbing protective surfacing under and around your play equipment. The protective surfacing should be applied to a depth that is suitable for the equipment height in accordance with ASTM Specification F 1292. There are different types of surfacing to choose from; whichever product you select, follow these guidelines:

**NOTE:** Do not install home playground equipment over concrete, asphalt, or any other hard surface. A fall onto a hard surface can result in serious injury to the equipment user. Grass and dirt are not considered protective surfacing because wear and environmental factors can reduce their shock absorbing effectiveness. Carpeting and thin mats are generally not adequate protective surfacing. Ground level equipment – such as a sandbox, activity wall, playhouse or other equipment that has no elevated play surface – does not need any protective surfacing.

### Loose-Fill Materials:

- Maintain a minimum depth of 9 inches of loose-fill materials such as wood mulch/chips, engineered wood fiber (EWF), or shredded/recycled rubber mulch for equipment up to 8 feet high; and 9 inches of sand or pea gravel for equipment up to 5 feet high. NOTE: An initial fill level of 12 inches will compress to about a 9-inch depth of surfacing over time. The surfacing will also compact, displace, and settle, and should be periodically refilled to maintain at least a 9-inch depth.
- Use a minimum of 6 inches of protective surfacing for play equipment less than 4 feet in height. If maintained properly, this should be adequate. (At depths less than 6 inches, the protective material is too easily displaced or compacted.)
- Use containment, such as digging out around the perimeter and/or lining the perimeter with landscape edging. Don't forget to account for water drainage. U.S. Consumer Product Safety Commission, Washington, D.C., 20207 or call the toll-free hotline :1-800-638-2772
- Check and maintain the depth of the loose-fill surfacing material. To maintain the right amount of loose-fill materials, mark the correct level on play equipment support posts. That way you can easily see when to replenish and/or redistribute the surfacing.
- Do not** install loose fill surfacing over hard surfaces such as concrete or asphalt.

### Poured-In-Place Surfaces or Pre-Manufactured Rubber Tiles:

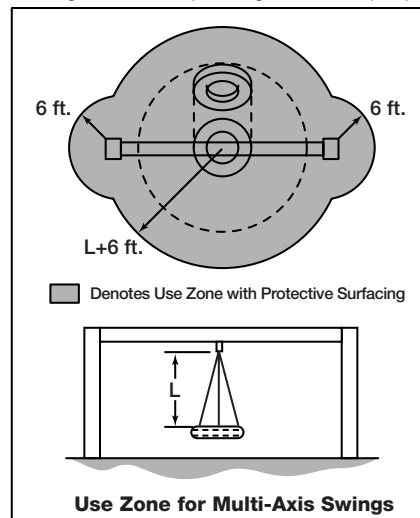
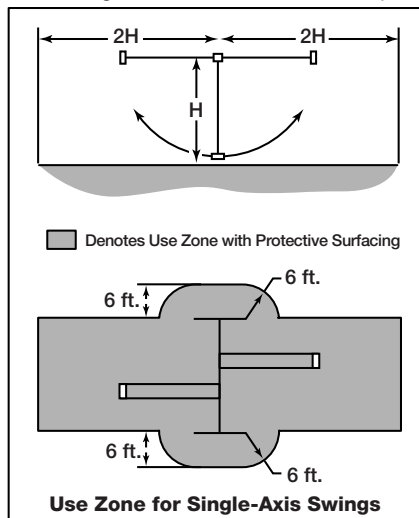
You may be interested in using surfacing other than loose-fill materials – like rubber tiles or poured-in-place surfaces.

- Installations of these surfaces generally require a professional and are not "do-it-yourself" projects.
- Review surface specifications before purchasing this type of surfacing. Ask the installer/manufacturer for a report showing that the product has been tested to the following safety standard: ASTM F 1292 Standard Specification for Impact Attenuation of Surfacing Materials within the Use Zone of Playground Equipment. This report should show the specific height for which the surface is intended to protect against serious head injury. This height should be equal to or greater than the fall height – vertical distance between a designated play surface (elevated surface for standing, sitting, or climbing) and the protective surfacing below – of your play equipment.
- Check the protective surfacing frequently for wear.

### Placement

Proper placement and maintenance of protective surfacing is essential. Be sure to

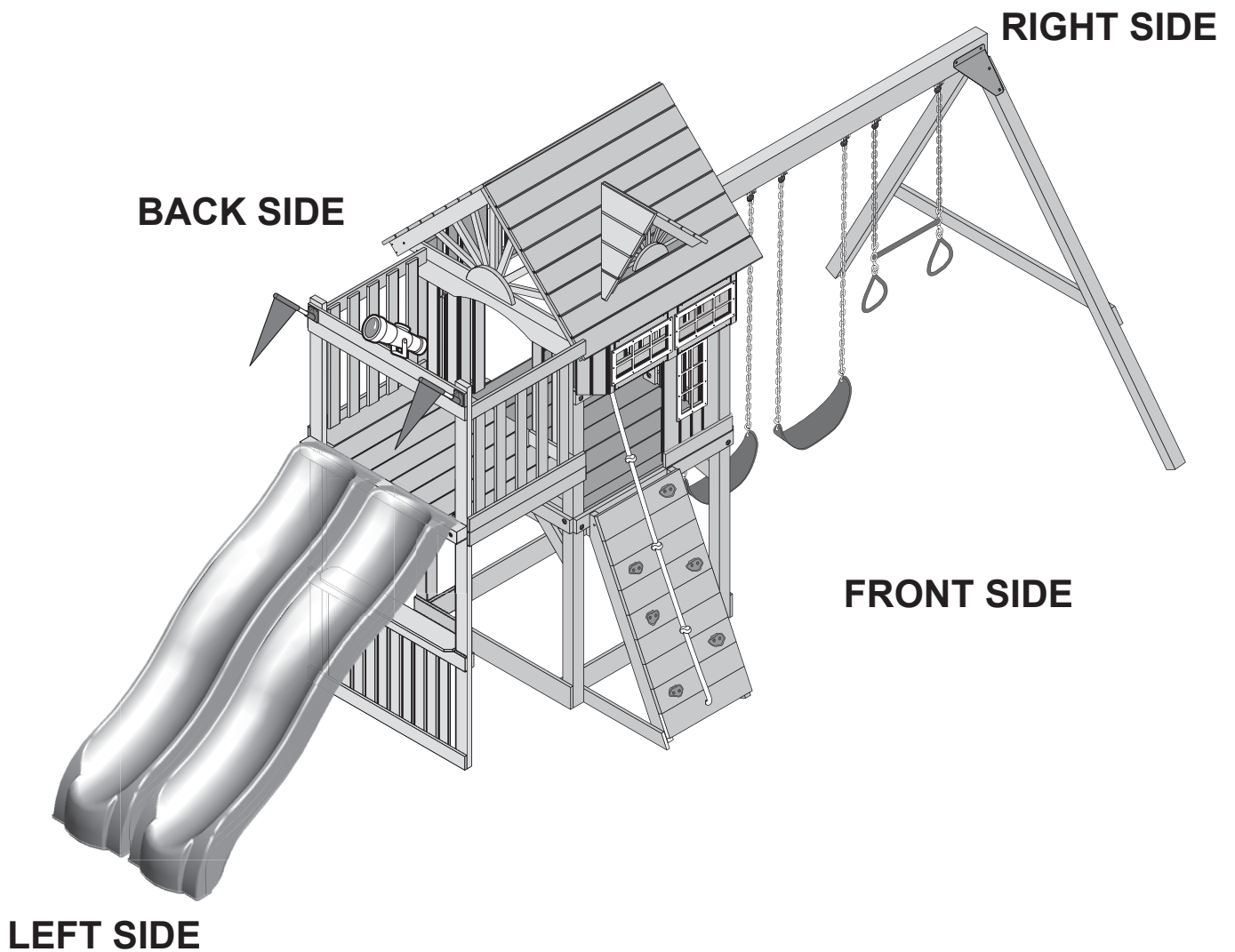
- Extend surfacing at least 6 feet from the equipment in all directions.
- For to-fro swings, extend protective surfacing in front of and behind the swing to a distance equal to twice the height of the top bar from which the swing is suspended.
- For tire swings, extend surfacing in a circle whose radius is equal to the height of the suspending chain or rope, plus 6 feet in all directions.



<sup>9</sup> This information has been extracted from the CPSC publications "Playground Surfacing—Technical Information Guide" and "Handbook for Public Playground Safety." Copies of these reports can be obtained by sending a postcard to the: Office of Public Affairs, U.S. Consumer Product Safety Commission, Washington, D.C., 20207 or call the toll-free hotline: 1-800-638-2772

**\*Hint\***

Throughout this manual references made to the *Left Side*, the *Right Side*, the *Front Side* and the *Back Side* of the playset serve as a consistent reminder to help with assembly.



# IMPORTANT!

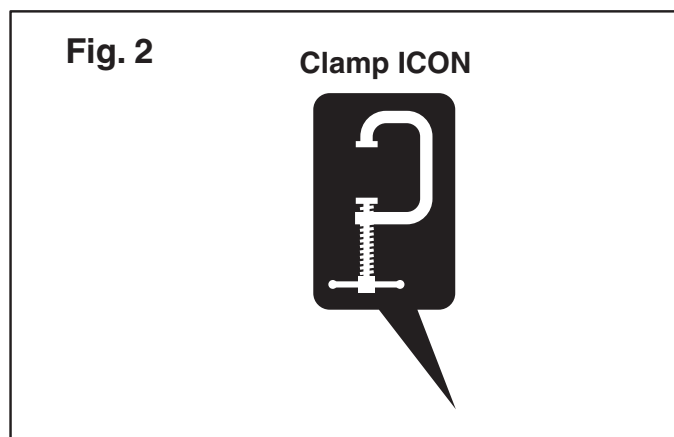
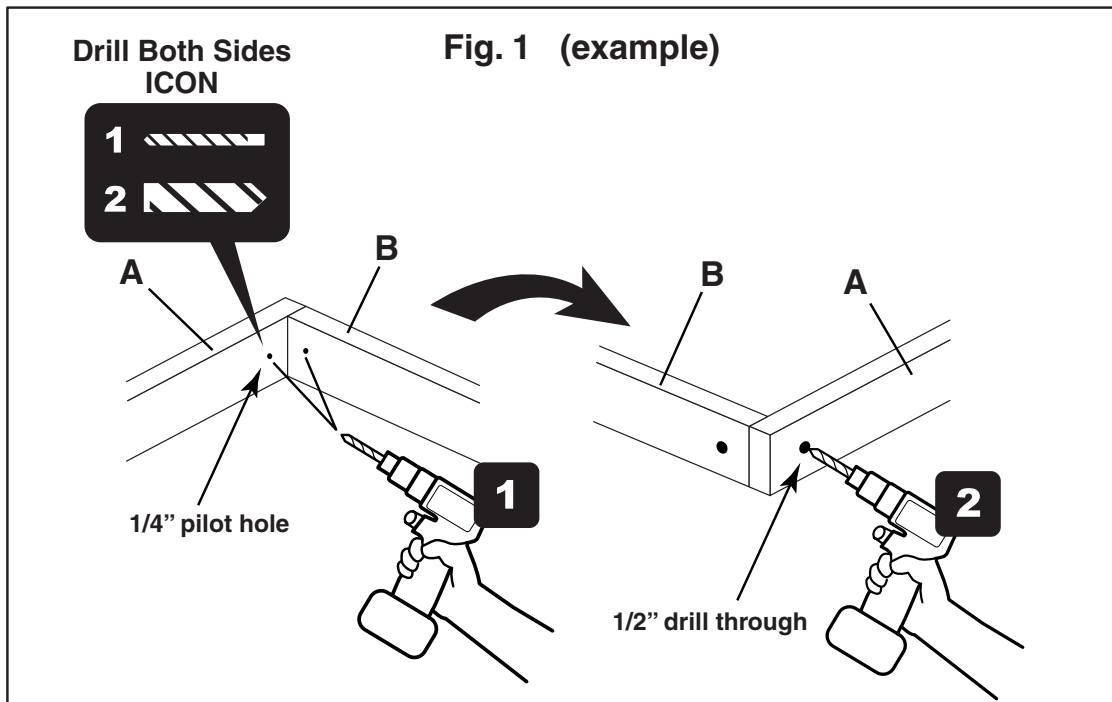
Use these Assembly Procedure Hints throughout the installation process.



1. All Lag Bolts must have pre-drilled holes. Use a 1/4" drill bit for all 3/8" Lag Bolts. Use a 3/16" drill bit for all 5/16" Lag Bolts. Pre-drilling pilot holes will help prevent Screws and Lag Bolts from breaking and wood from splitting during assembly.

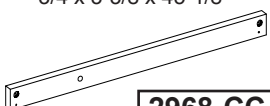
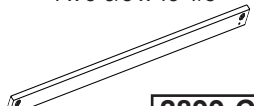
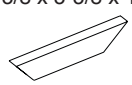
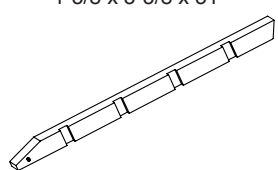
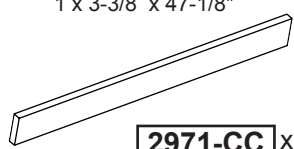
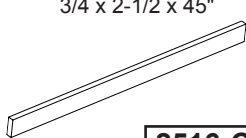
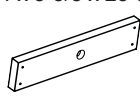
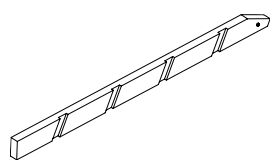
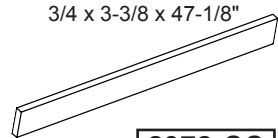
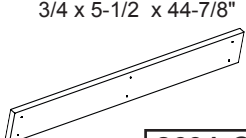
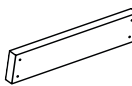
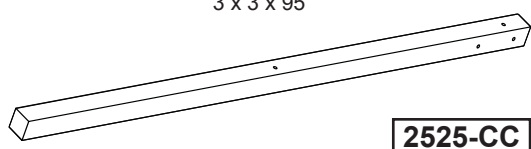

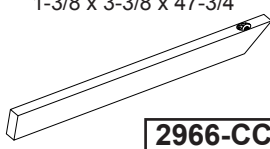
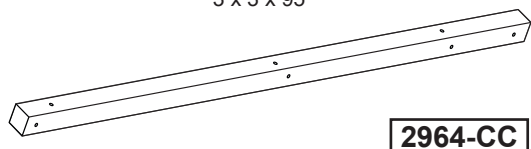
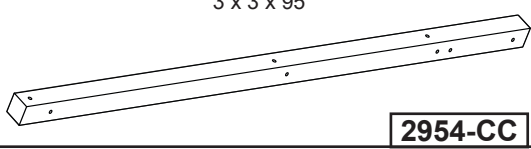
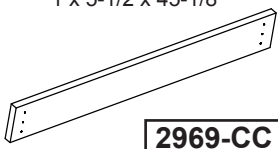
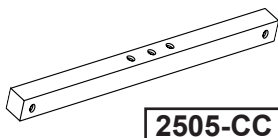
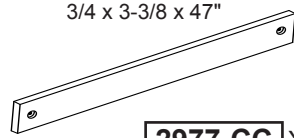

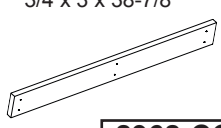
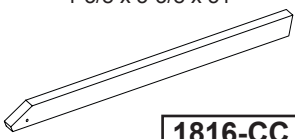
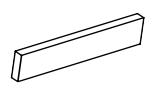
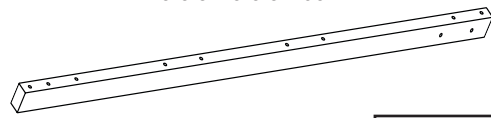

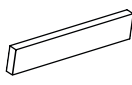
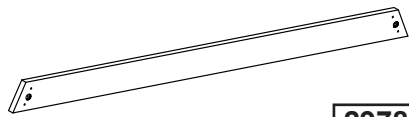
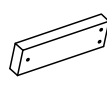
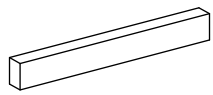
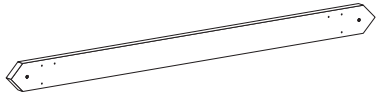
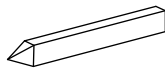
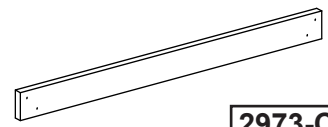
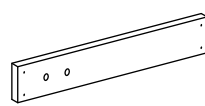
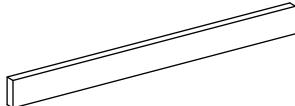
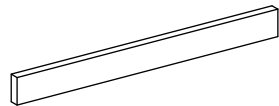
### DO NOT OVER-TIGHTEN LAG BOLTS

2. In areas where drilling a larger 1/2" hole is necessary, such as when installing T-Nuts, (Fig. 1) the recommended procedure is to first drill-through a 1/4" pilot hole from the Hex Bolt side and then drill the larger 1/2" hole from the opposite T-Nut side. This will help avoid splintering the wood. The "**Drill Both Sides ICON**" (Fig. 1) will remind you to drill according to this procedure. Be sure to clean through-holes of debris before inserting Hex Bolts.
3. When assembling parts that are difficult to hold in position while pre-drilling pilot holes or assembling, use a clamp to keep parts aligned or in position. The "**Clamp ICON**" (Fig. 2) will advise you to use this procedure.



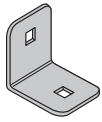
# WOOD PARTS LIST

WOOD PARTS

<p>3/4 x 3-3/8 x 45-1/8"</p>  <p><b>2968-CC</b> x1</p>	<p>1 x 3-3/8 x 45-1/8"</p>  <p><b>2899-CC</b> x6</p>	<p>1-3/8 x 3-3/8 x 18"</p>  <p><b>2970-CC</b> x4</p>	<p>1-3/8 x 3-3/8 x 51"</p>  <p><b>2521-CC</b> x1</p>
<p>1 x 3-3/8 x 47-1/8"</p>  <p><b>2971-CC</b> x1</p>	<p>3/4 x 2-1/2 x 45"</p>  <p><b>2516-CC</b> x1</p>	<p>3/4 x 5-3/8 x 23-3/4"</p>  <p><b>2974-CC</b> x1</p>	<p>1-3/8 x 3-3/8 x 51"</p>  <p><b>2522-CC</b> x1</p>
<p>3/4 x 3-3/8 x 47-1/8"</p>  <p><b>2972-CC</b> x2</p>	<p>3/4 x 5-1/2 x 44-7/8"</p>  <p><b>2691-CC</b> x7</p>	<p>3/4 x 5-3/8 x 23-3/4"</p>  <p><b>2960-CC</b> x2</p>	<p>3 x 3 x 95"</p>  <p><b>2525-CC</b> x2</p>
<p>5/8 x 3-1/4 x 29-3/4"</p>  <p><b>2523-CC</b> x16</p>	<p>1-3/8 x 3-3/8 x 47-3/4"</p>  <p><b>2966-CC</b> x1</p>	<p>3 x 3 x 95"</p>  <p><b>2964-CC</b> x2</p>	<p>3 x 3 x 95"</p>  <p><b>2954-CC</b> x2</p>
<p>1 x 5-1/2 x 45-1/8"</p>  <p><b>2969-CC</b> x4</p>	<p>3 x 3 x 45-1/8"</p>  <p><b>2505-CC</b> x1</p>	<p>3/4 x 3-3/8 x 47"</p>  <p><b>2977-CC</b> x1</p>	<p>3/4 x 3-3/8 x 28-5/8"</p>  <p><b>2955-CC</b> x1</p>
<p>3/4 x 3-3/8 x 47"</p>  <p><b>2962-CC</b> x2</p>	<p>1-3/8 x 3-3/8 x 51"</p>  <p><b>1816-CC</b> x1</p>	<p>3/4 x 3 x 38-7/8"</p>  <p><b>2965-CC</b> x1</p>	<p>3-3/8 x 5-3/8 x 95"</p>  <p><b>2502-CC</b> x1</p>
<p>3/4 x 3-3/8 x 17"</p>  <p><b>2967-CC</b> x1</p>	<p>1 x 3-1/2 x 15-3/8"</p>  <p><b>2524-CC</b> x4</p>	<p>1 x 3-3/8 x 68-1/2"</p>  <p><b>2978-CC</b> x1</p>	<p>3/4 x 3-3/8 x 12"</p>  <p><b>2975-CC</b> x2</p>
<p>1-1/2 x 2-1/2 x 24"</p>  <p><b>2490-CC</b> x1</p>	<p>3/4 x 3-3/8 x 53-7/8"</p>  <p><b>2976-CC</b> x2</p>	<p>1-3/8 x 3-3/8 x 17-1/4"</p>  <p><b>PF 6295</b> x1</p>	<p>3/4 x 3-3/8 x 45-1/8"</p>  <p><b>2973-CC</b> x5</p>
<p>3/4 x 5-3/8 x 23-3/4"</p>  <p><b>2950-CC</b> x6</p>	<p>1 x 3-3/8 x 40-1/2"</p>  <p><b>2963-CC</b> x2</p>	<p>1 x 3-3/8 x 37-1/8"</p>  <p><b>2964-CC</b> x2</p>	

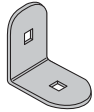
H A R D W A R E

90° Angle Bracket Plate



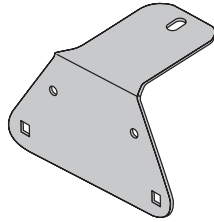
2485 x1

L-Bracket



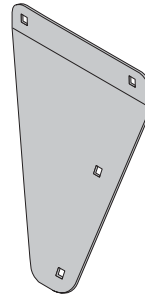
2412 x2

Swing Beam 90° Plate



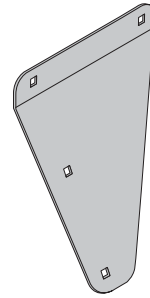
2449 x1

Swing Beam Angled Plate Left



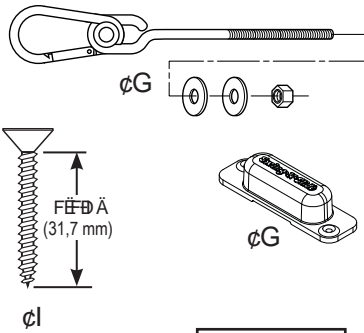
2448 x1

Swing Beam Angled Plate Right



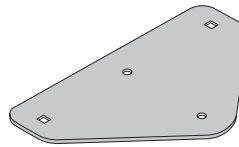
2447 x1

Swing Hanger



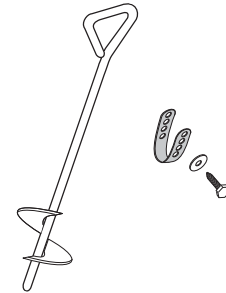
WS 4456  $\phi I$

Swing Beam Flat Plate



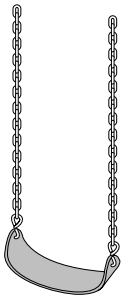
2411 x1

Anchor Stake



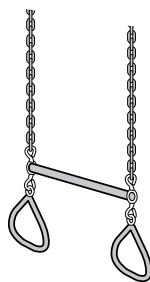
WS 4521 x4

Swing



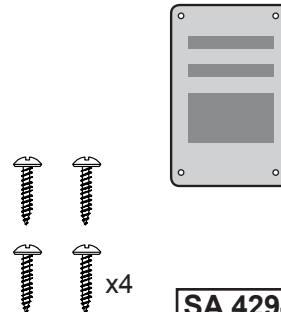
04-0039-Y/Y  $\phi G$

Trapeze



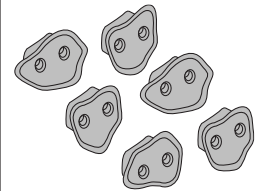
04-0006-G/G  $\phi F$

Safety Warning Plate



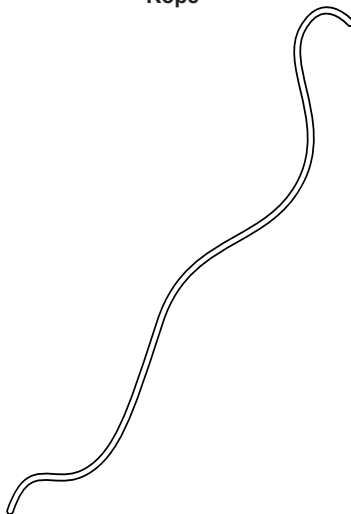
SA 4294 x1

Climbing Rocks



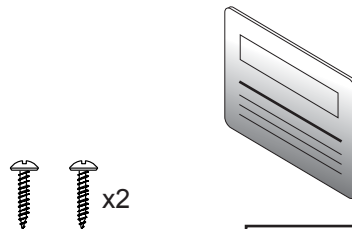
WS 4545 x6

Rope



SA 3097 x1

Plaque



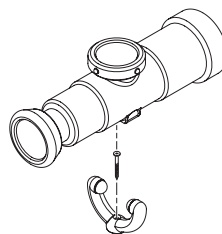
11-0018 x1

Safety Handle



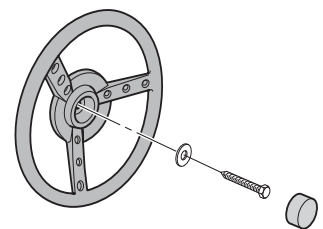
07-0005-G  $\phi I$

Telescope



07-0040-G/Y  $\phi F$

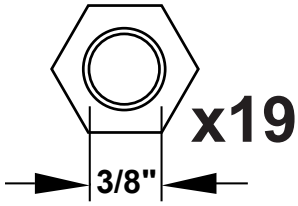
Steering Wheel



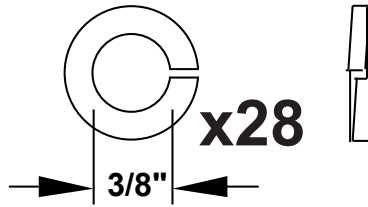
07-0004-Y  $\phi F$

A C C E S S O R I E S

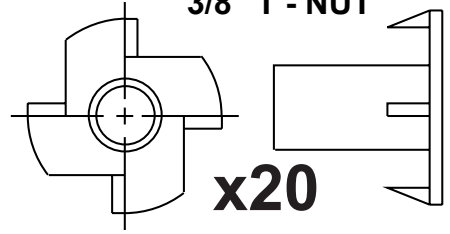
**3/8" LOCK NUT**



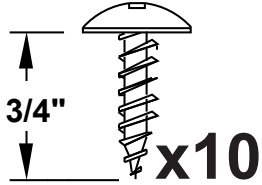
**3/8" LOCK WASHER**



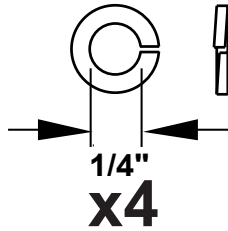
**3/8" T - NUT**



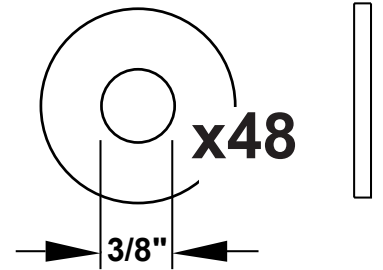
**TRUSS HEAD SCREW**



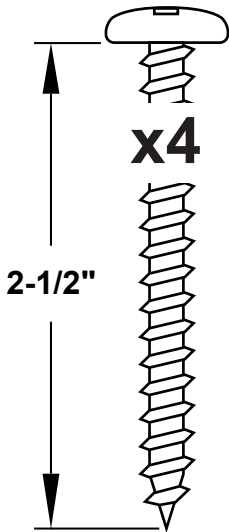
**1/4" LOCK WASHER**



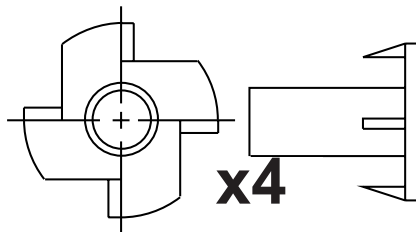
**3/8" FLAT WASHER**



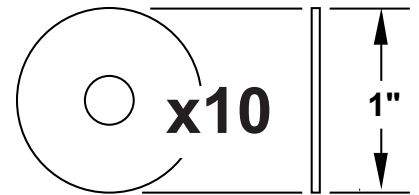
**2-1/2" PAN HEAD SCREW**



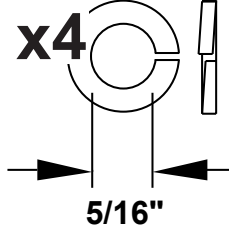
**5/16" T - NUT**



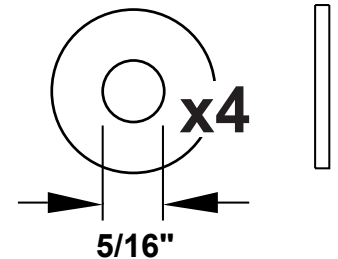
**3/16" x 1" FENDER WASHER**



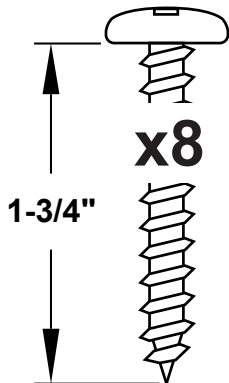
**5/16" LOCK WASHER**



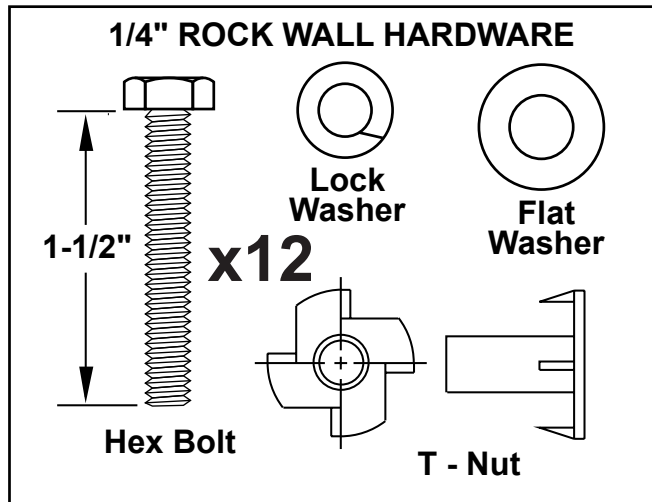
**5/16" FLAT WASHER**



**1-3/4" PAN HEAD SCREW**

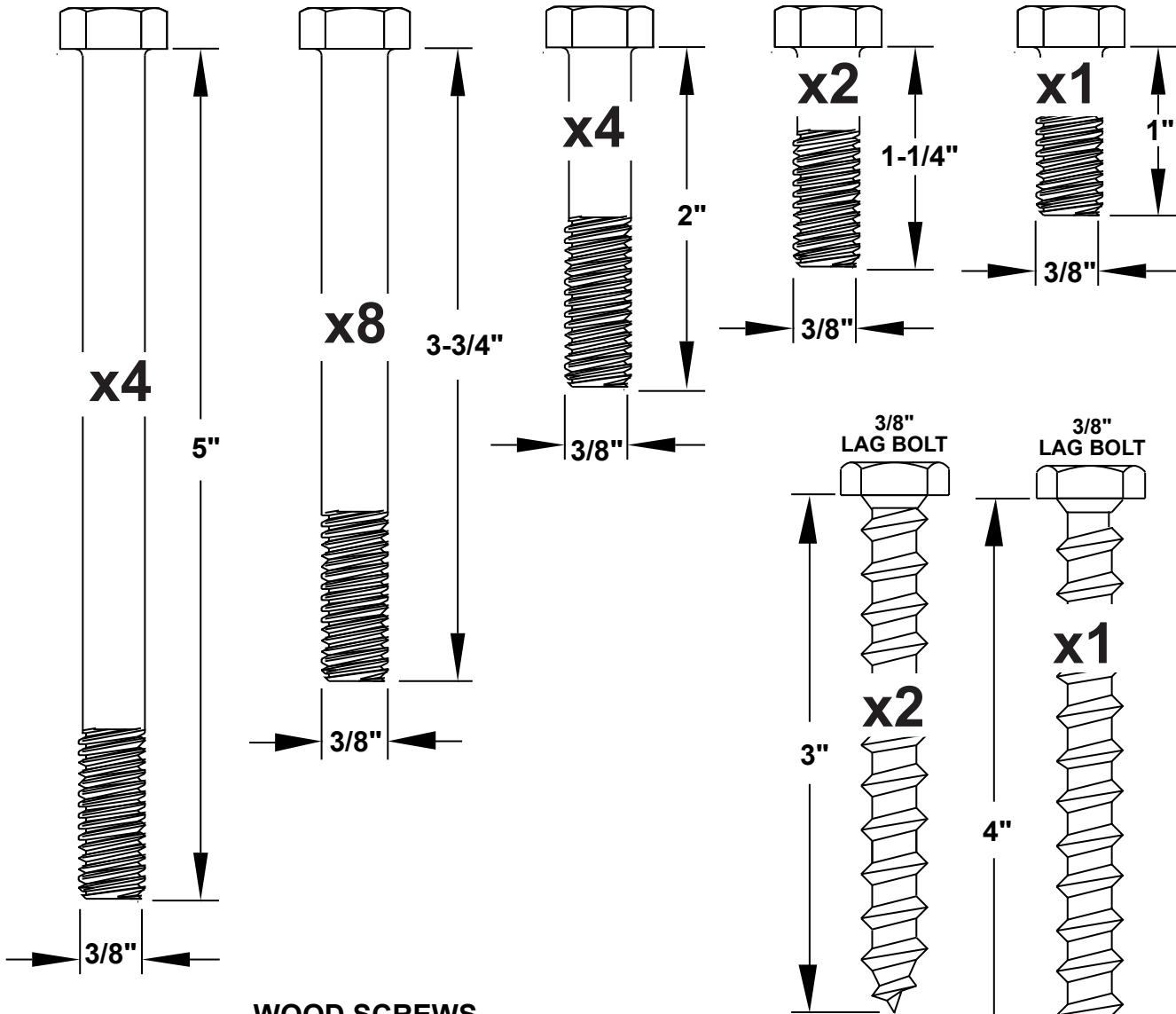


**1/4" ROCK WALL HARDWARE**

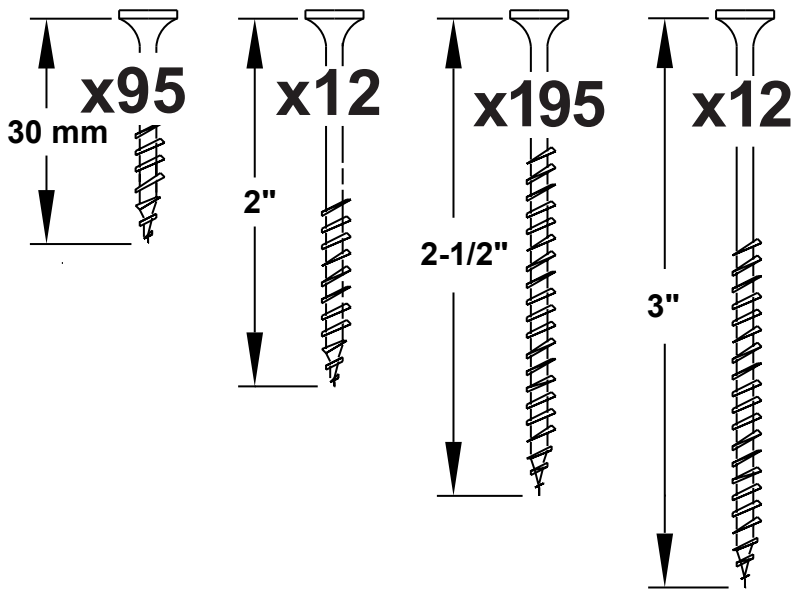


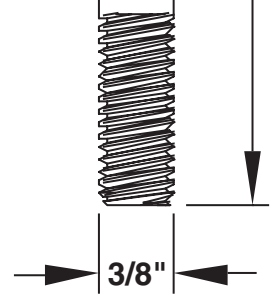
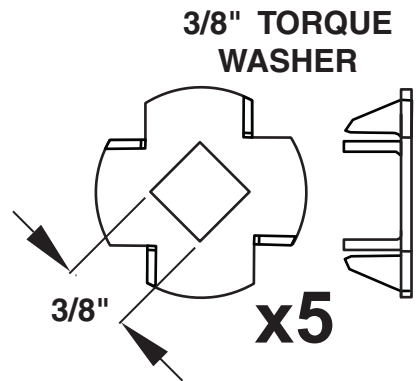
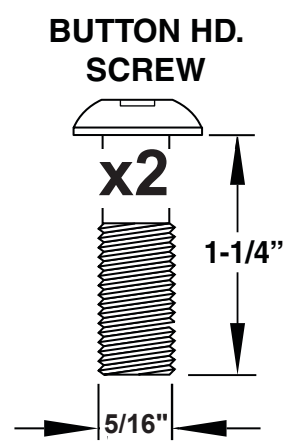
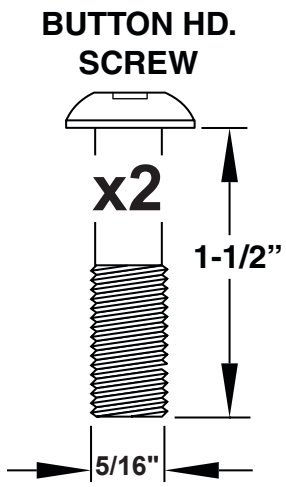
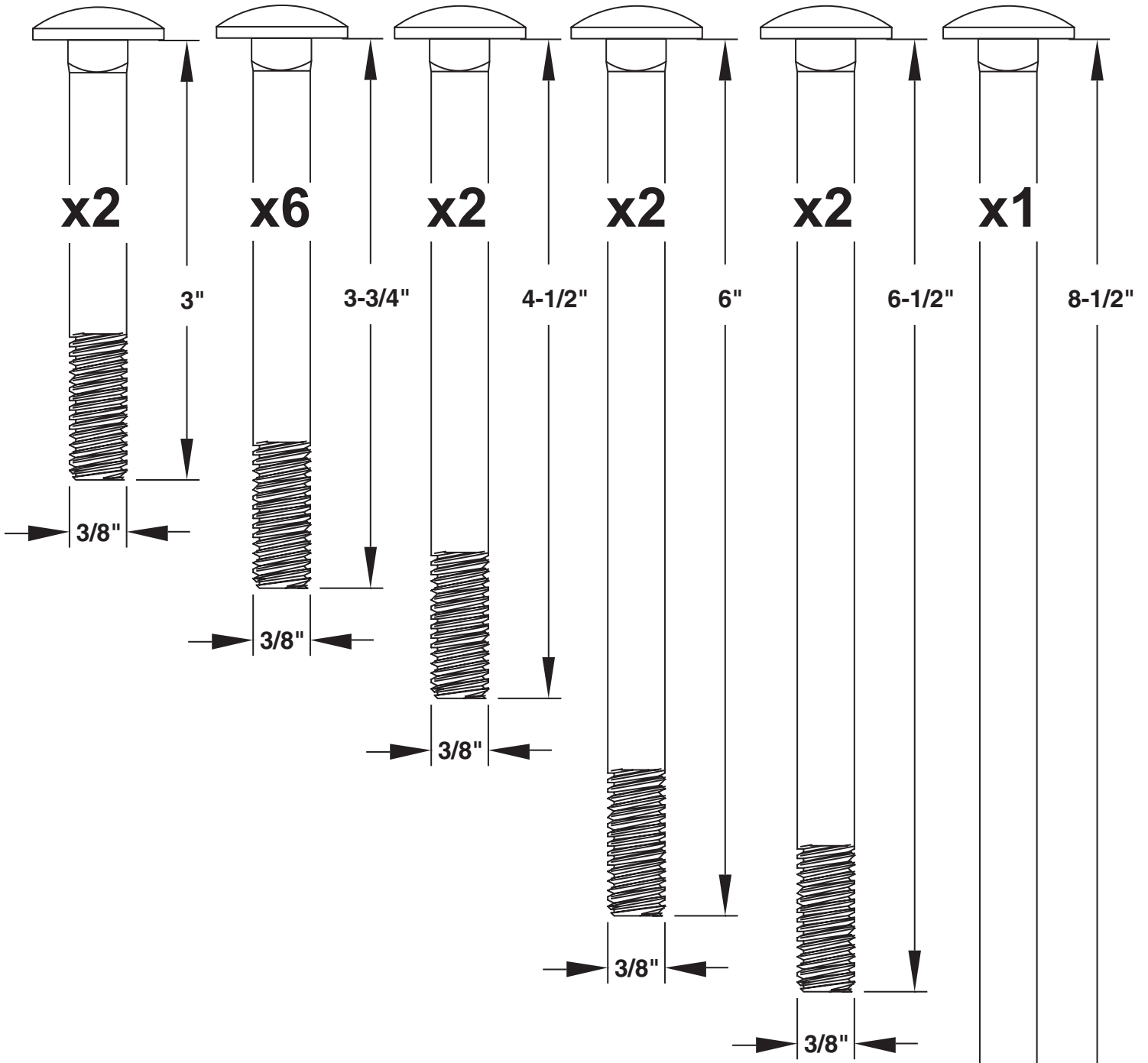


**3/8" HEX HEAD BOLTS**










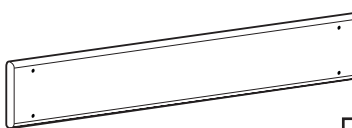

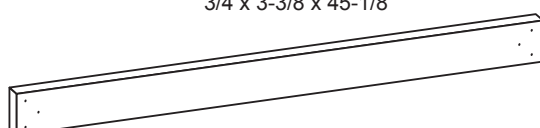

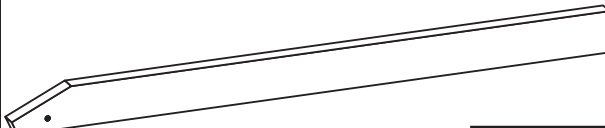

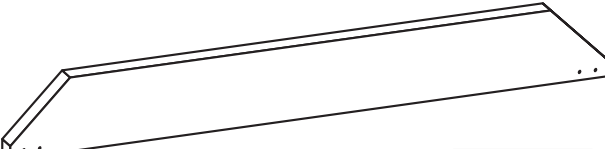
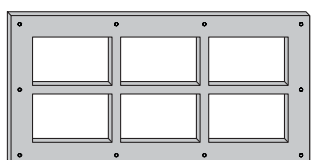
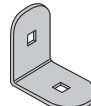
**WOOD SCREWS**





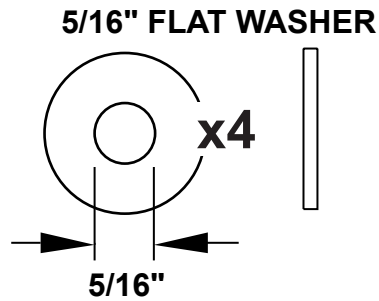
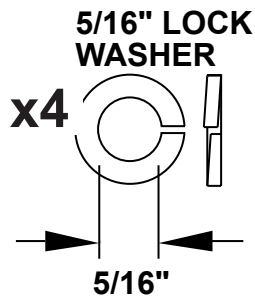
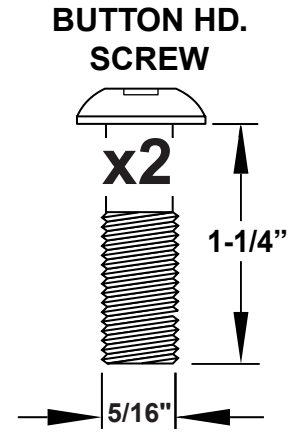
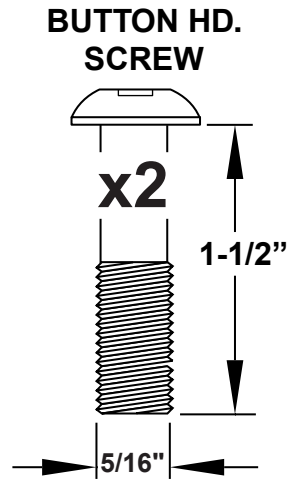
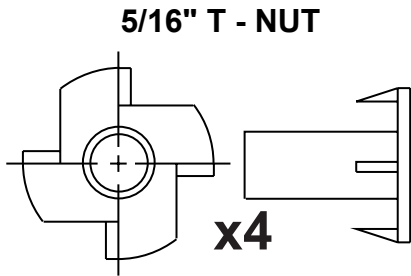
# CLUBHOUSE PARTS LIST

C L U B H O U S E P A R T S

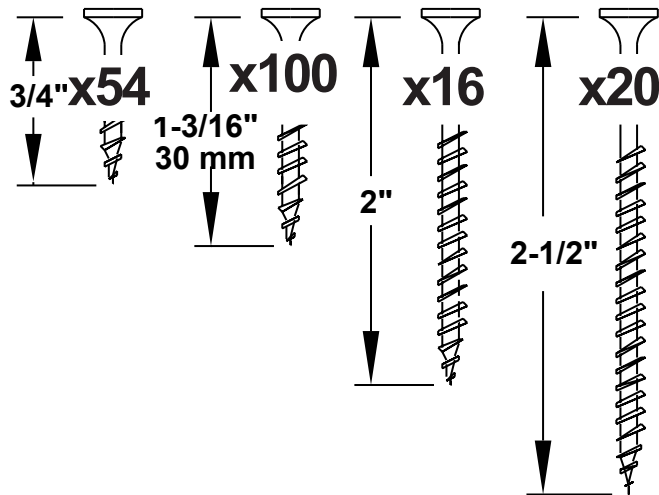
<p>3/4 x 3 x 6-15/16"</p>  <p><b>1806-CC</b> x1</p>	<p>3/4 x 3-3/8 x 19-1/4"</p>  <p><b>1814-CC</b> x4</p>
<p>3/4 x 3 x 10-5/16"</p>  <p><b>1807-CC</b> x1</p>	<p>5/8 x 3-1/4 x 5"</p>  <p><b>1811-CC</b> x2</p>
<p>5/8 x 1-7/8 x 12-7/16"</p>  <p><b>2852-CC</b> x2</p>	<p>5/16 x 2-15/16 x 16-13/16"</p>  <p><b>2864-CC</b> x2</p>
<p>5/8 x 3-1/4 x 12-7/16"</p>  <p><b>2853-CC</b> x5</p>	<p>5/8 x 4-7/8 x 29-3/4"</p>  <p><b>1809-CC</b> x2</p>
<p>5/8 x 3-1/4 x 14-3/4"</p>  <p><b>2855-CC</b> x8</p>	<p>3/4 x 3-3/8 x 45-1/8"</p>  <p><b>1812-CC</b> x2</p>
<p>5/8 x 3-1/4 x 17"</p>  <p><b>1813-CC</b> x9</p>	<p>1-3/8 x 3-3/8 x 51"</p>  <p><b>1826-CC</b> x1</p>
<p>5/8 x 3-1/4 x 9-1/2"</p>  <p><b>1810-CC</b> x2</p>	<p>1 x 5-3/8 x 45-1/2"</p>  <p><b>1808-CC</b> x2</p>
<p><b>Window</b></p>  <p><b>PF-2990</b> x5</p>	<p><b>L-Bracket</b></p>  <p><b>2412</b> x2</p>

# CLUBHOUSE HARDWARE

C L U B H O U S E F A S T E N E R S

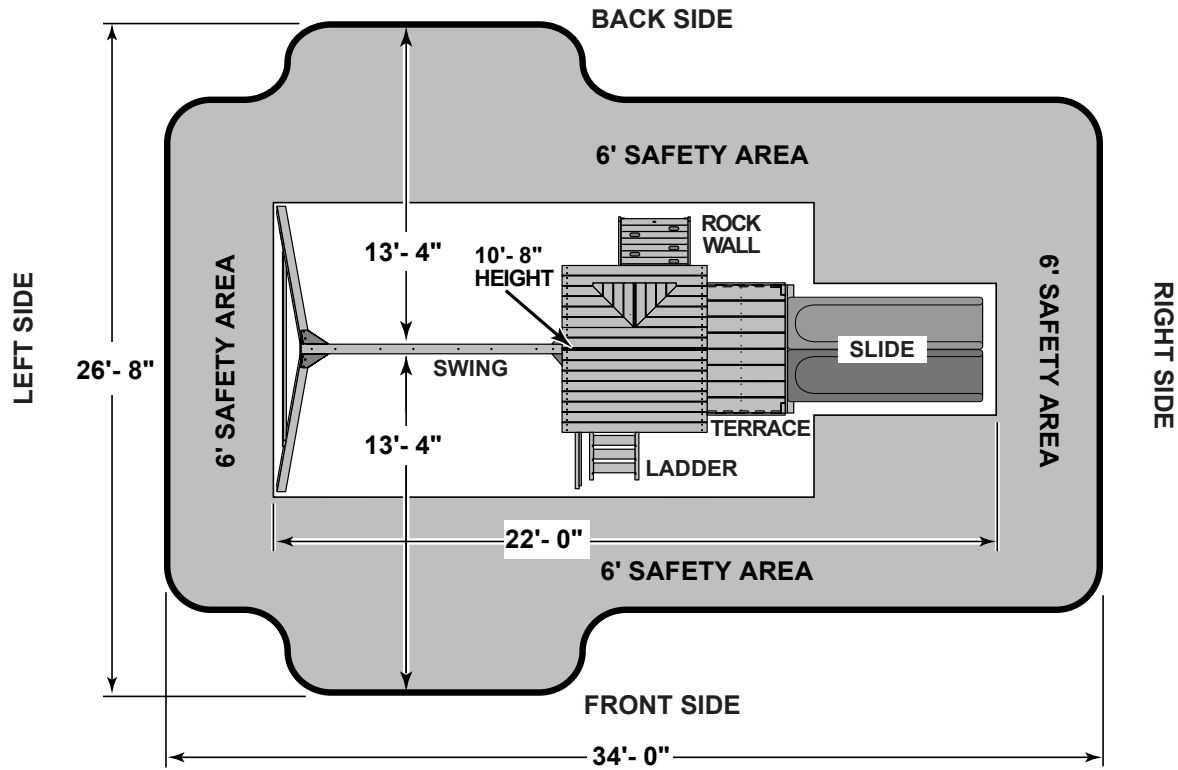


## WOOD SCREWS



# PLAYSET SET-UP

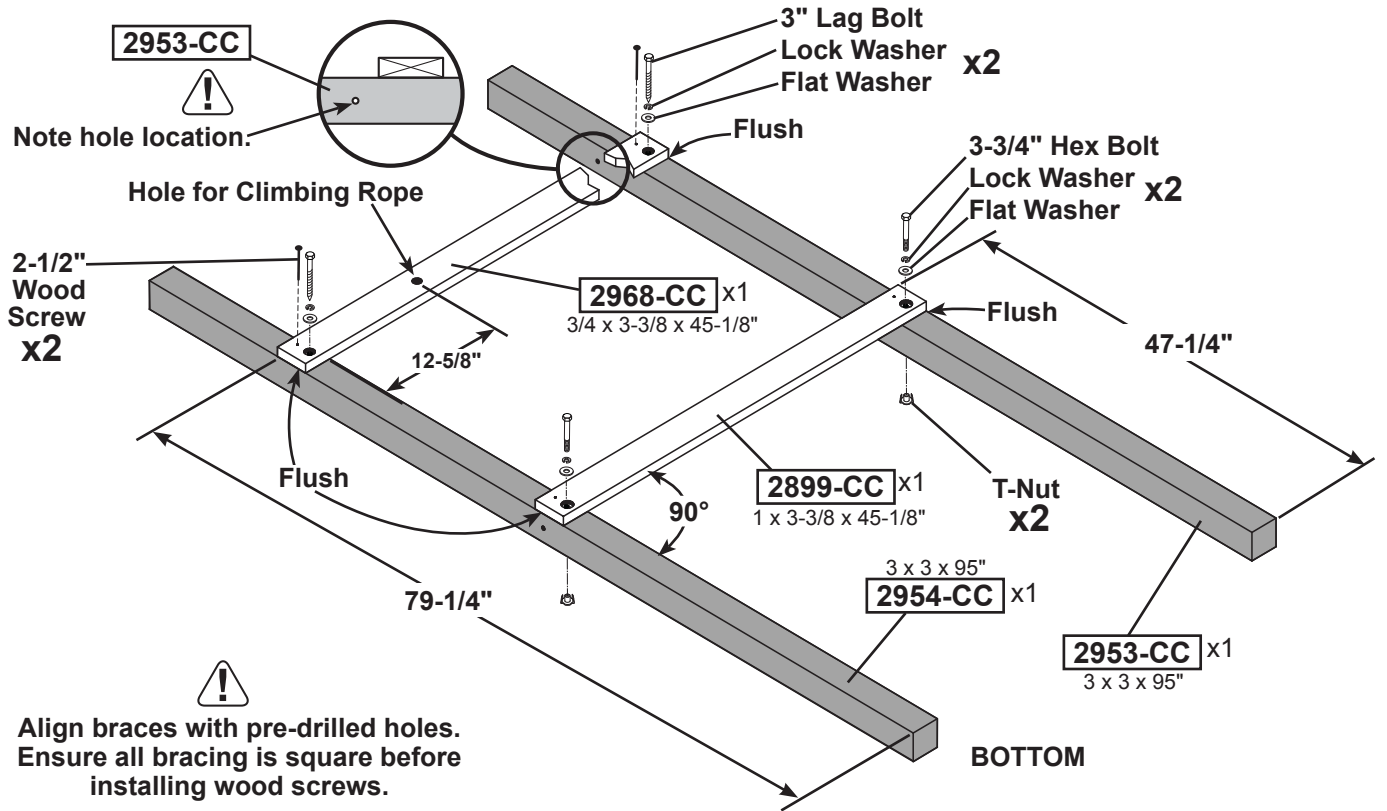
# SAFETY AREA



(This space intentionally left blank.)

# FORT

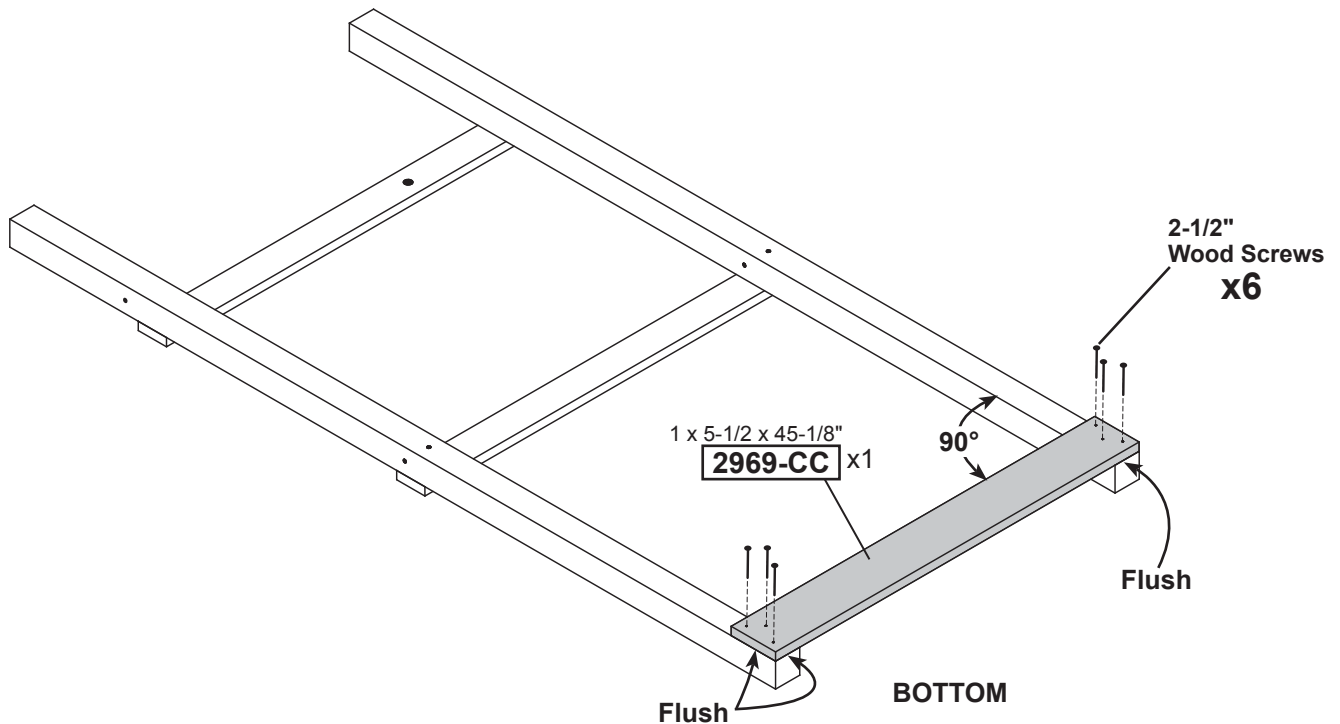
# CORNER POSTS



# FORT

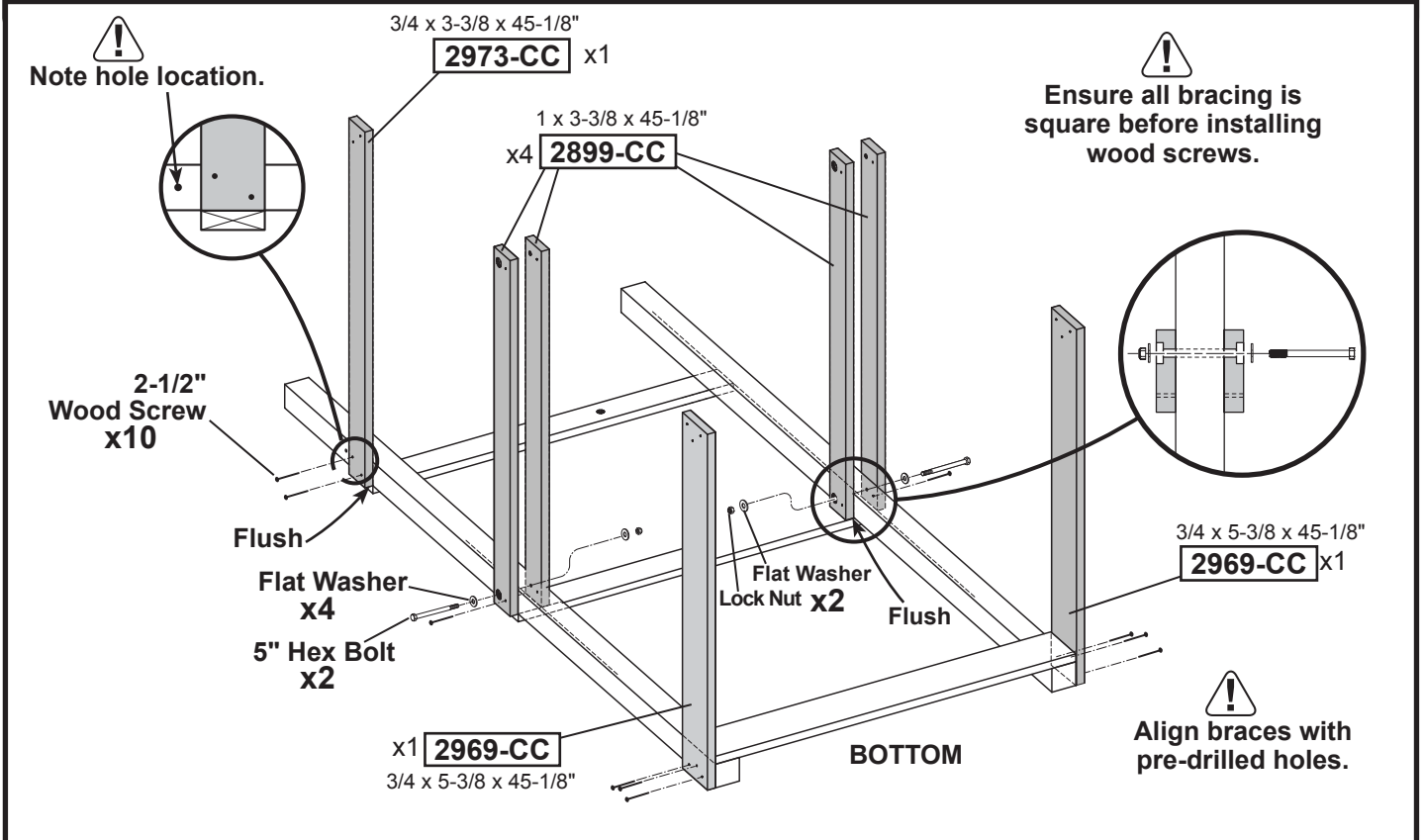
# BOTTOM FRAME BRACE

FLIP ASSEMBLY OVER TO INSTALL BOTTOM BRACE.



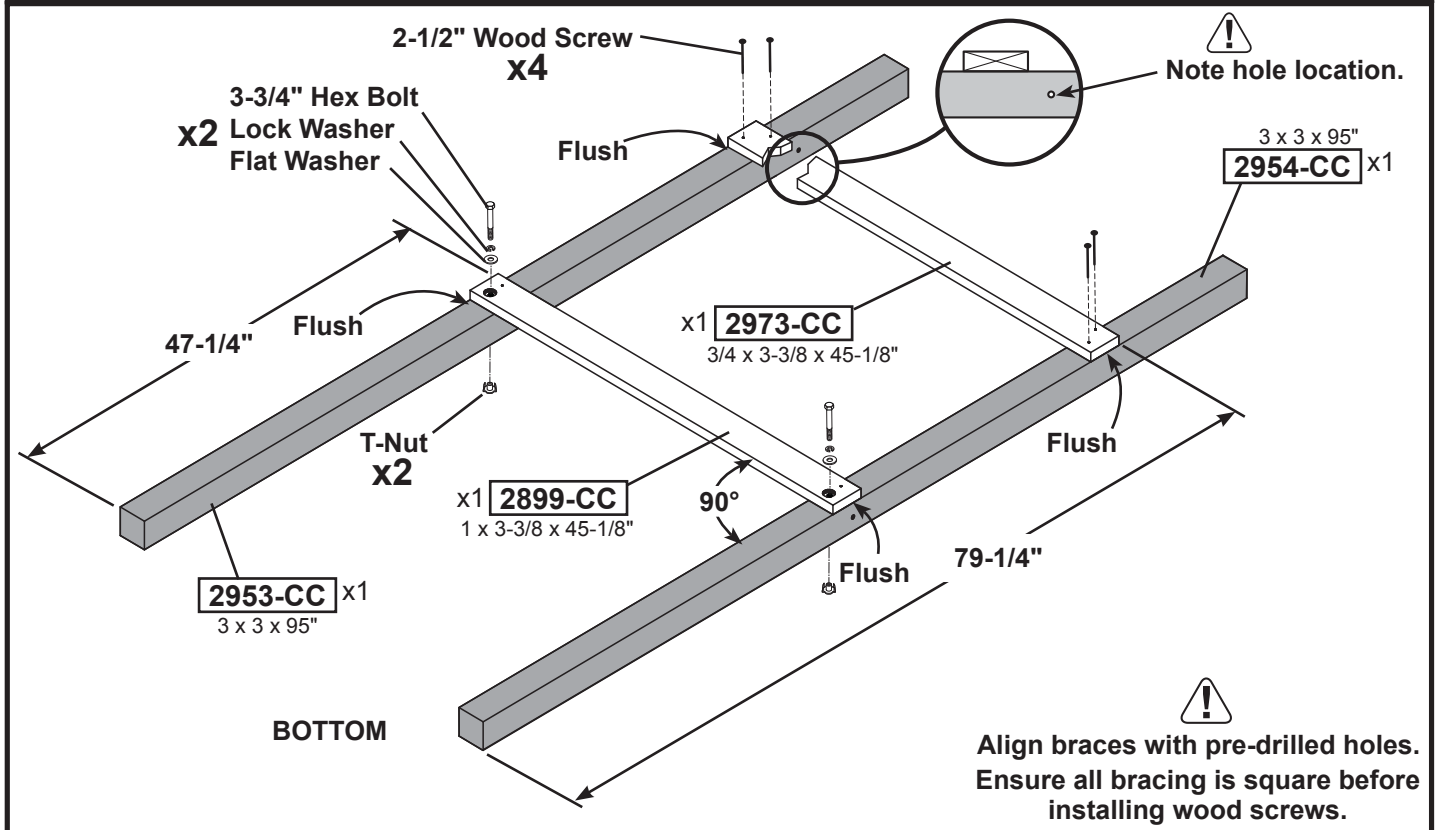
# FORT

# FRAME BRACING



# FORT

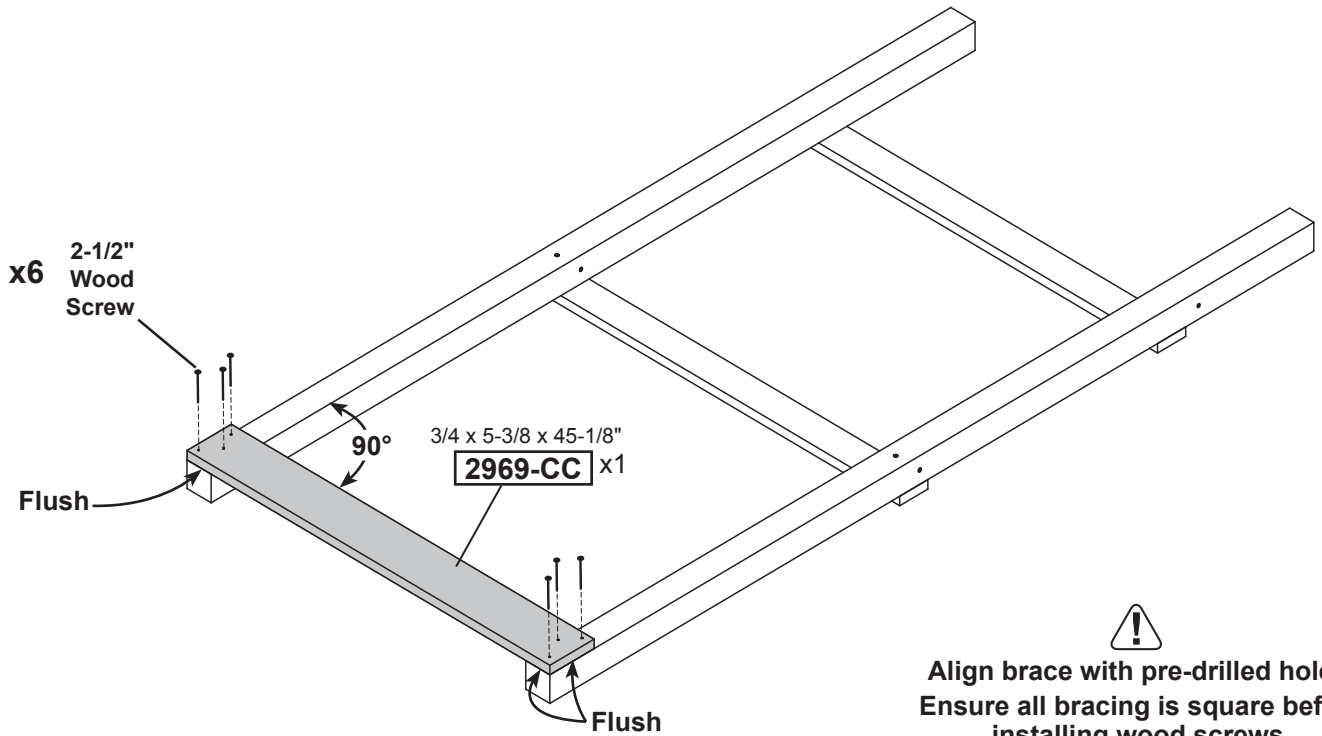
# FRAME BRACING



# FORT

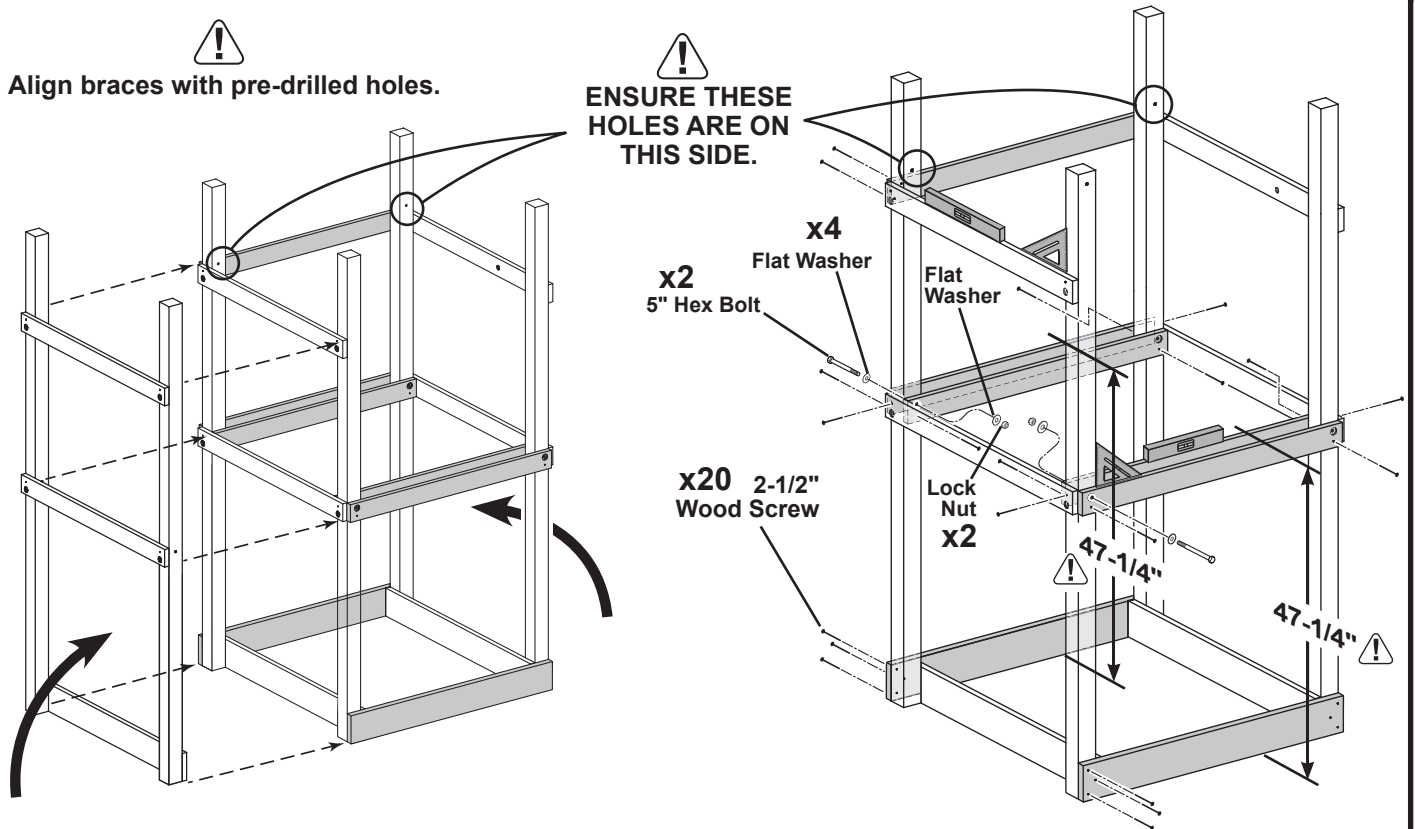
# BOTTOM FRAME BRACE

FLIP ASSEMBLY OVER TO INSTALL BOTTOM BRACE.



# FORT

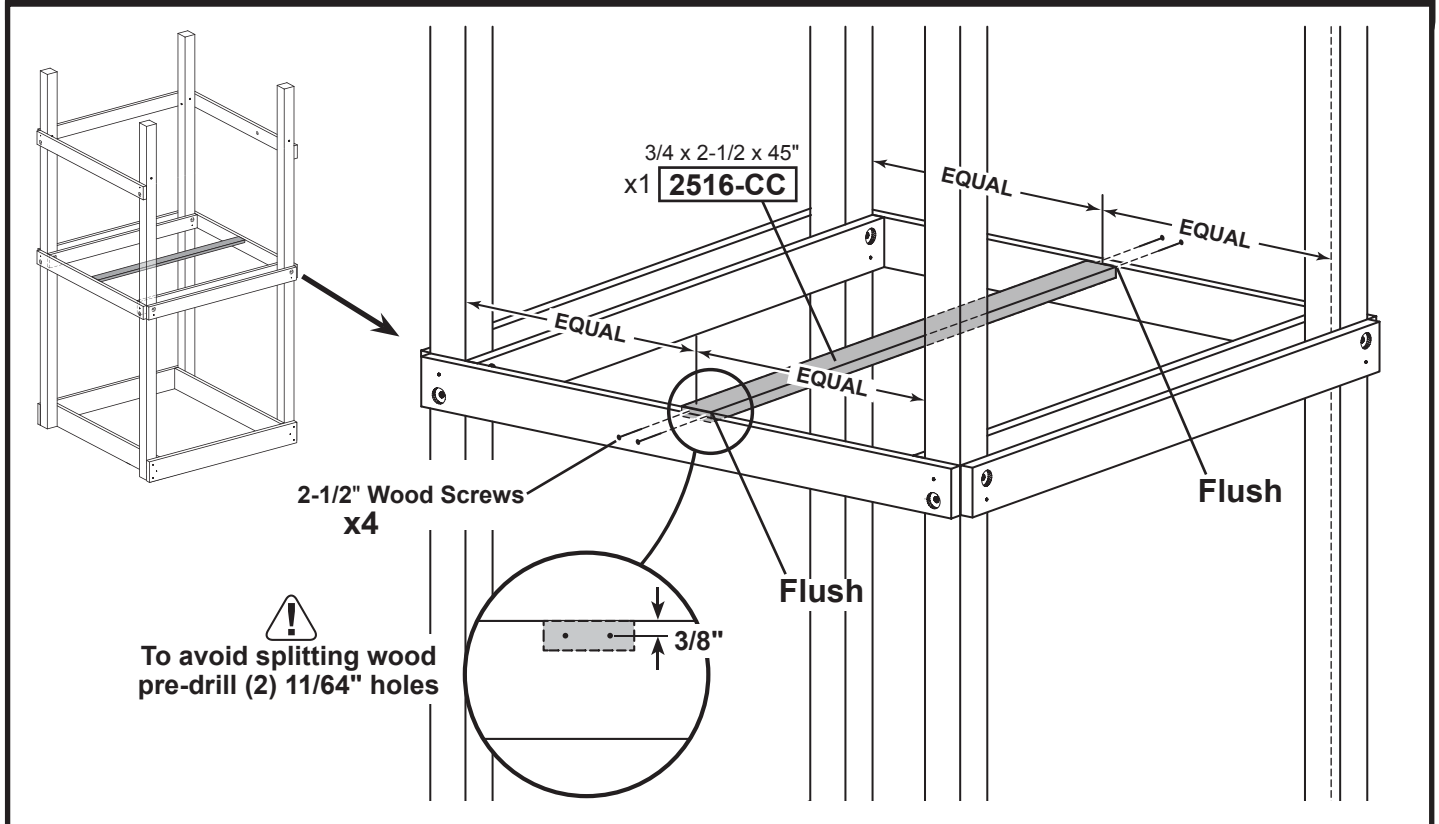
# CONNECT FRAME SECTIONS





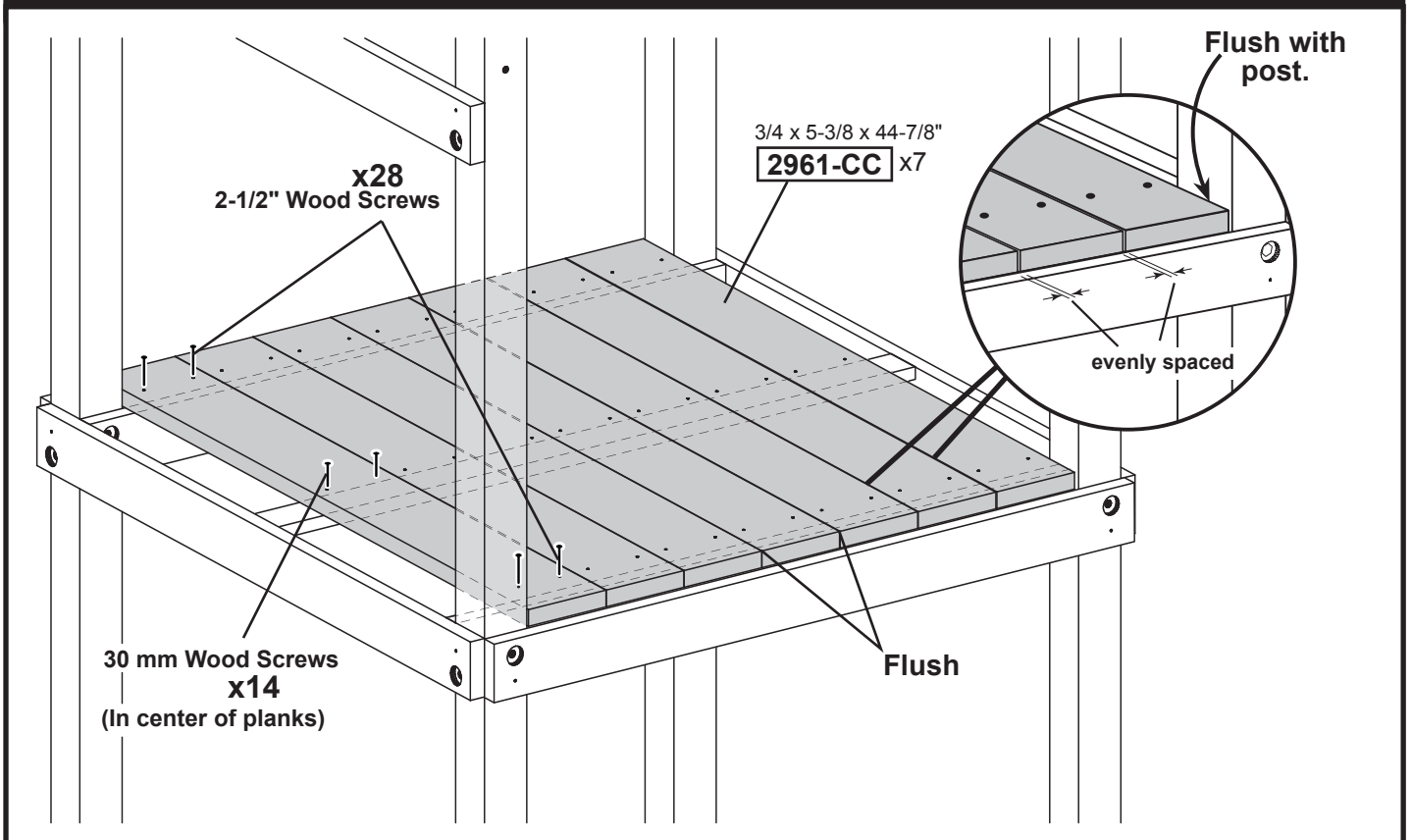
# FORT

# DECK CLEAT



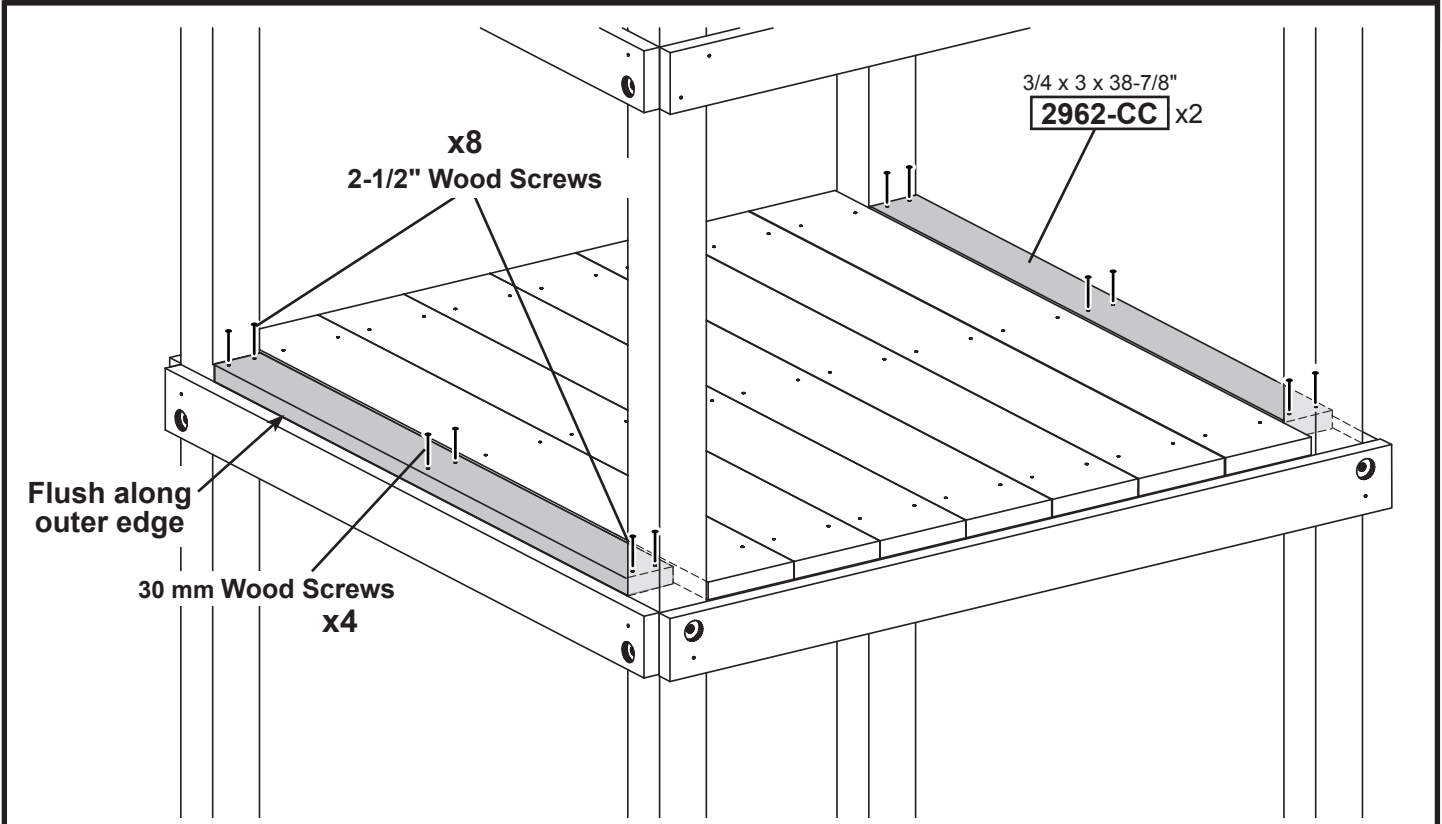
# FORT

# DECK PLANKS



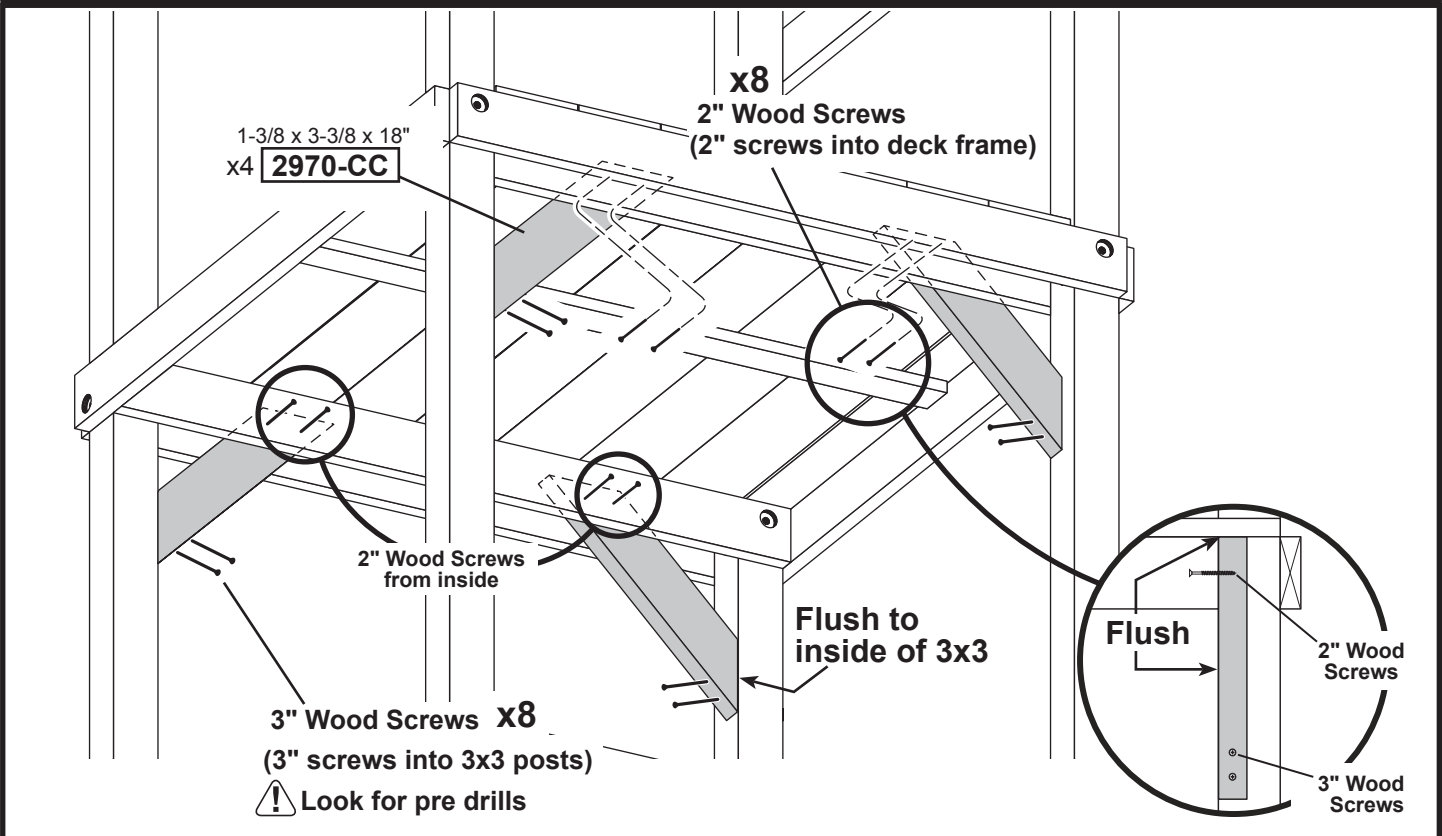
# FORT

# DECK PLANKS



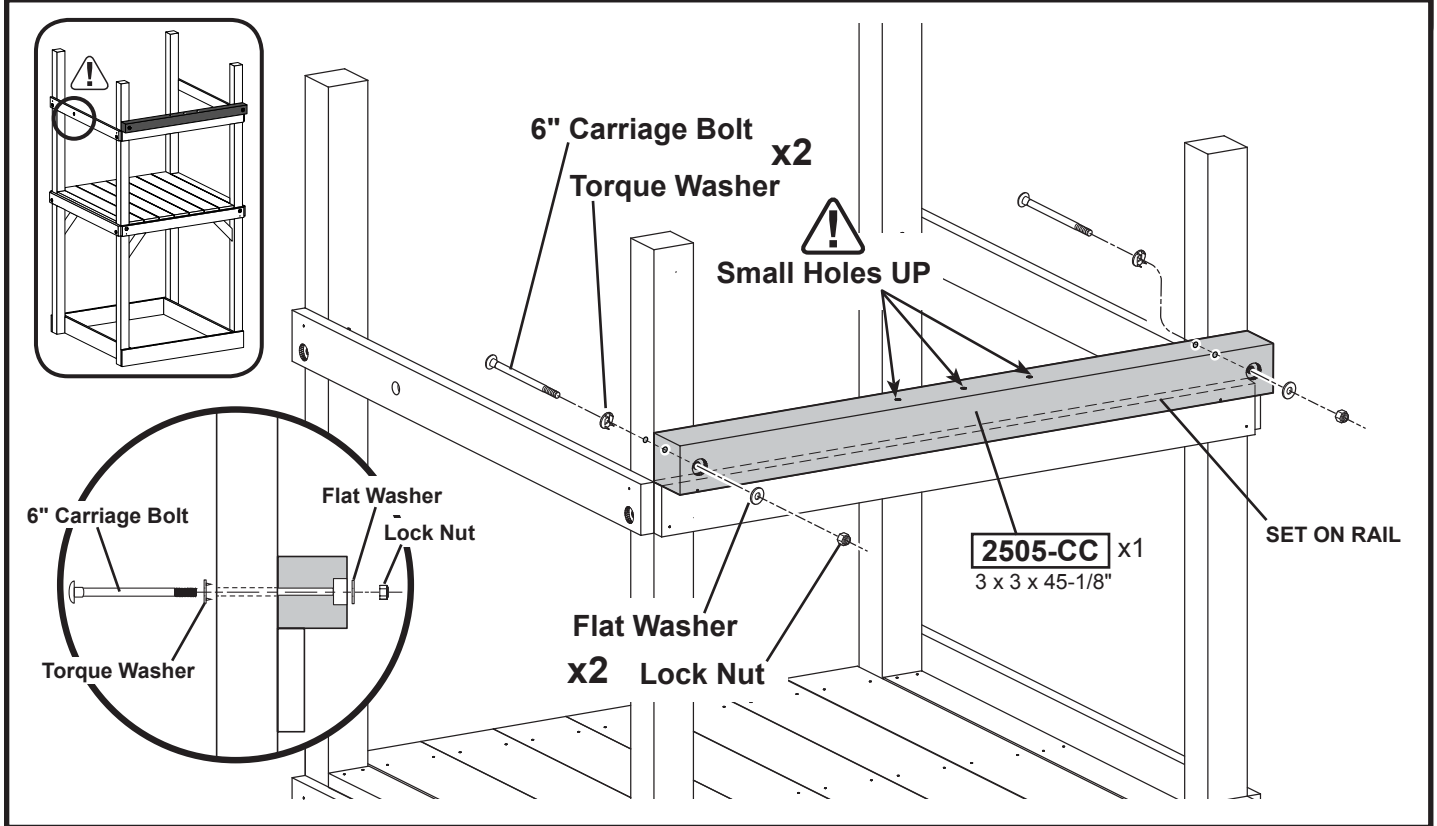
# FORT

# DECK SUPPORT



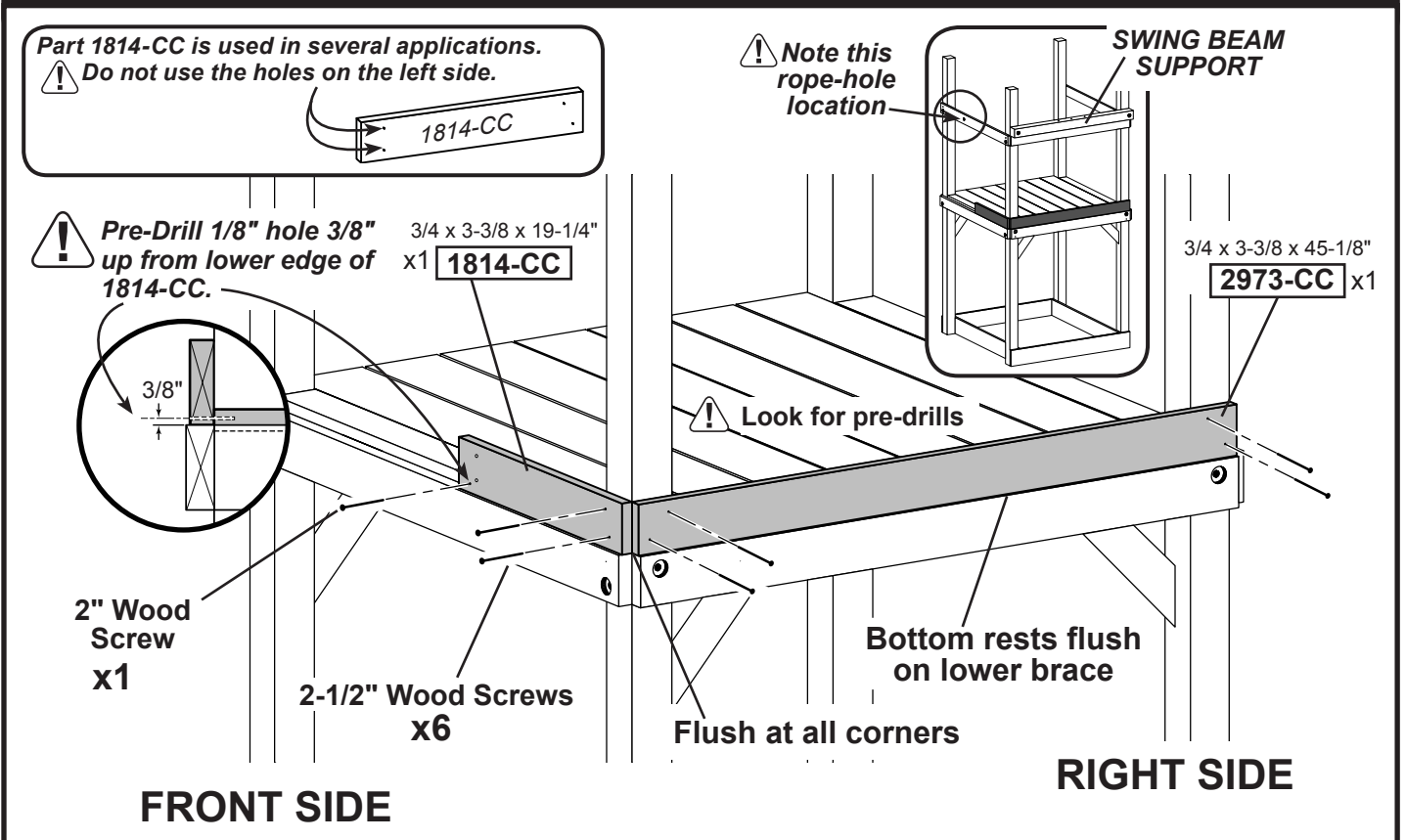
# FORT

# SWING BEAM SUPPORT



# FORT

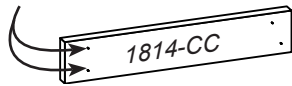
# BALUSTER SUPPORTS



# FORT

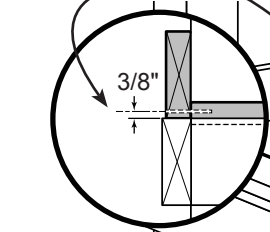
# BALUSTER SUPPORT

Part 1814-CC is used in several applications.  
Do not use the holes on the left side.



Pre-Drill 1/8" hole 3/8" up from lower edge of 1814-CC.

3/4 x 3-3/8 x 19-1/4" x1 **1814-CC**



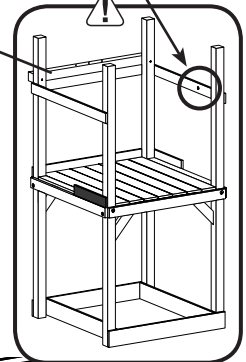
x1 2" Wood Screw

Bottom rests flush on lower brace.

2-1/2" Wood Screw x2

SWING BEAM SUPPORT

Note this rope-hole location



Flush

LEFT SIDE

BACK SIDE

# FORT

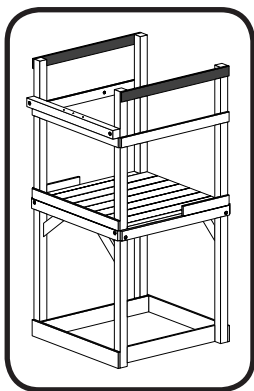
# UPPER BRACES

2-1/2" Wood Screw x8

3/4 x 3-3/8 x 45-1/8" **1812-CC** x2

Flush

Flush



# FORT

# AUX. FLOOR SUPPORT

2-1/2" Wood Screw  
x4

x1 **2973-CC**  
3/4 x 3-3/8 x 45-1/8"

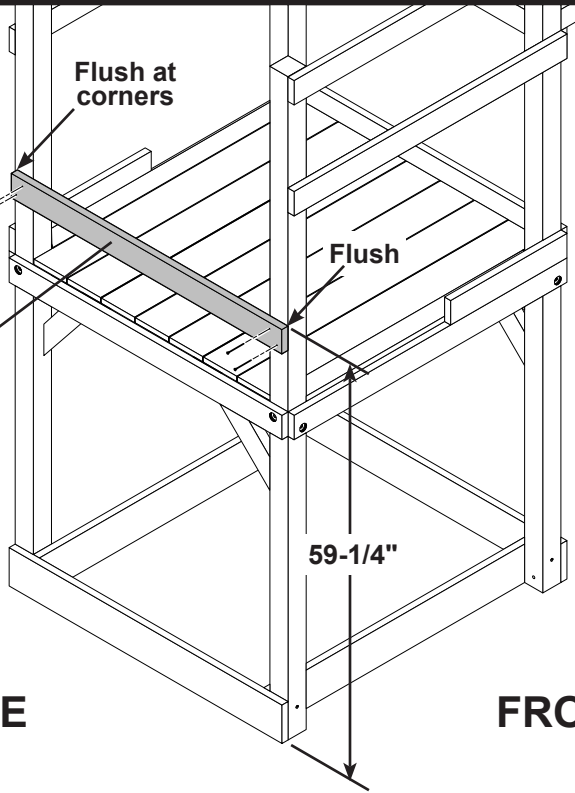
Flush at  
corners

Flush

59-1/4"

LEFT SIDE

FRONT SIDE



# FORT

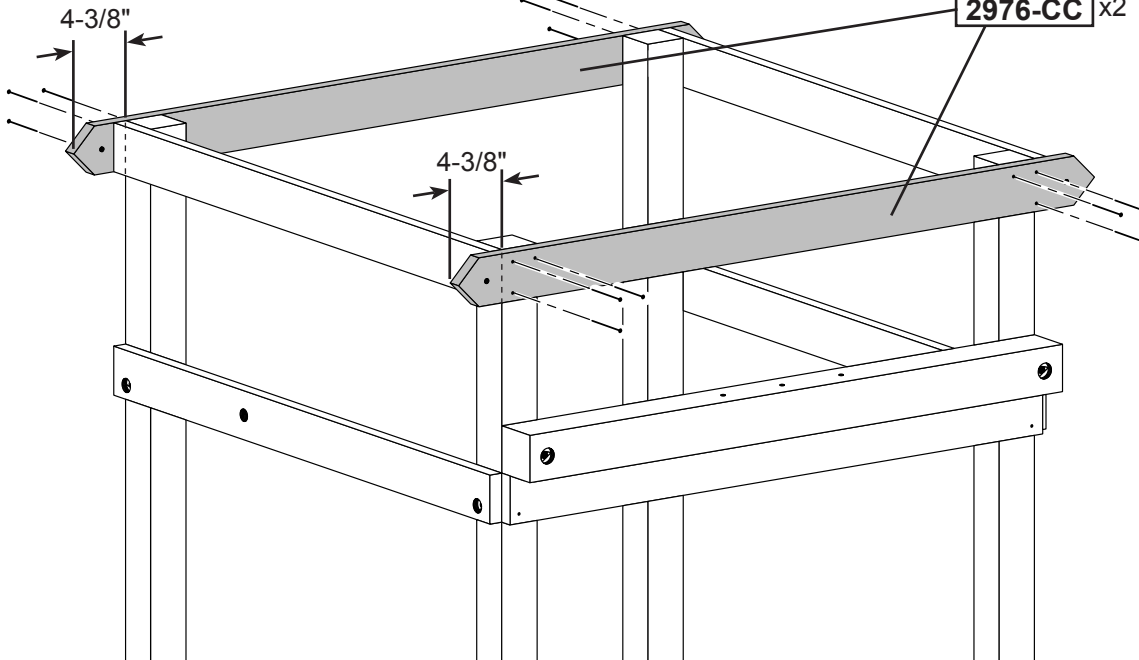
# ROOF SUPPORT

2-1/2" Wood Screws  
x12

3/4 x 3-3/8 x 53-7/8"  
**2976-CC** x2


4-3/8"

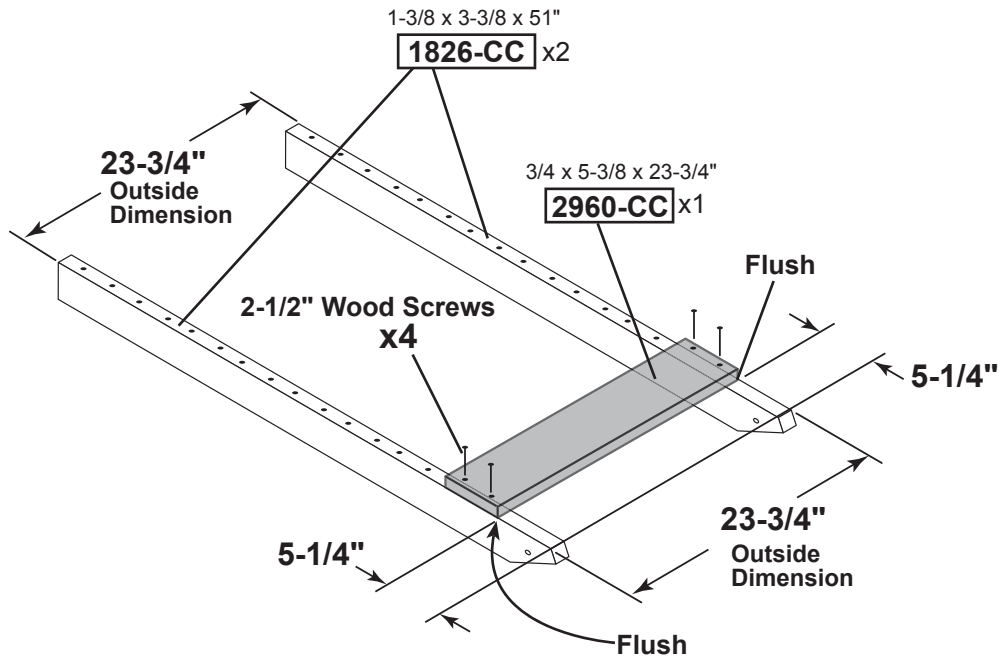
4-3/8"



# ROCK WALL

# ASSEMBLE

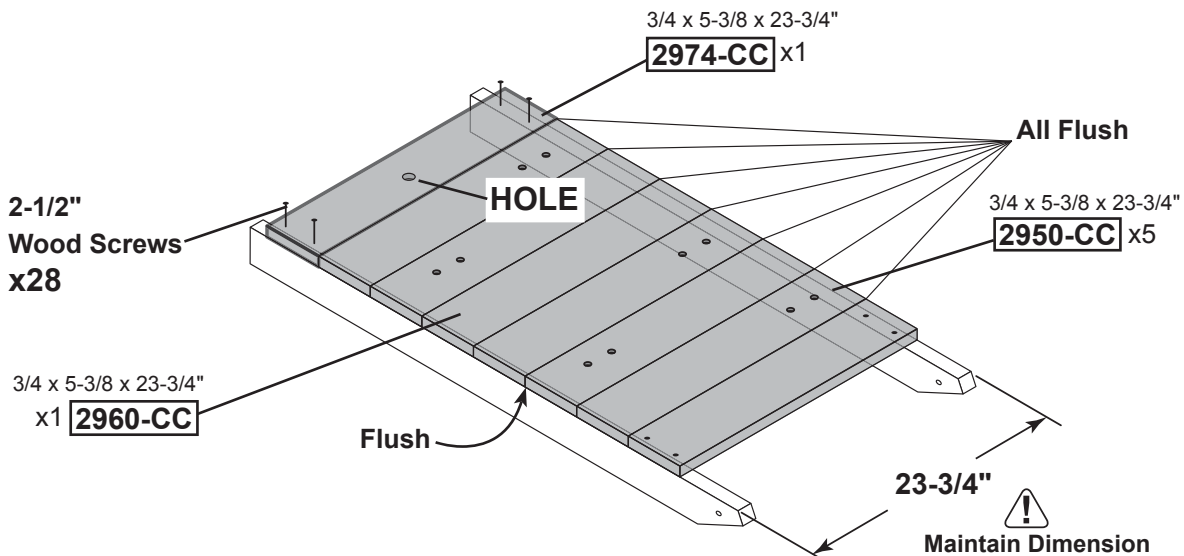
 Rail (1826-CC) may have full or partially pre-drilled holes. Align screws with the pre-drilled holes in rails (1826-CC).



# ROCK WALL

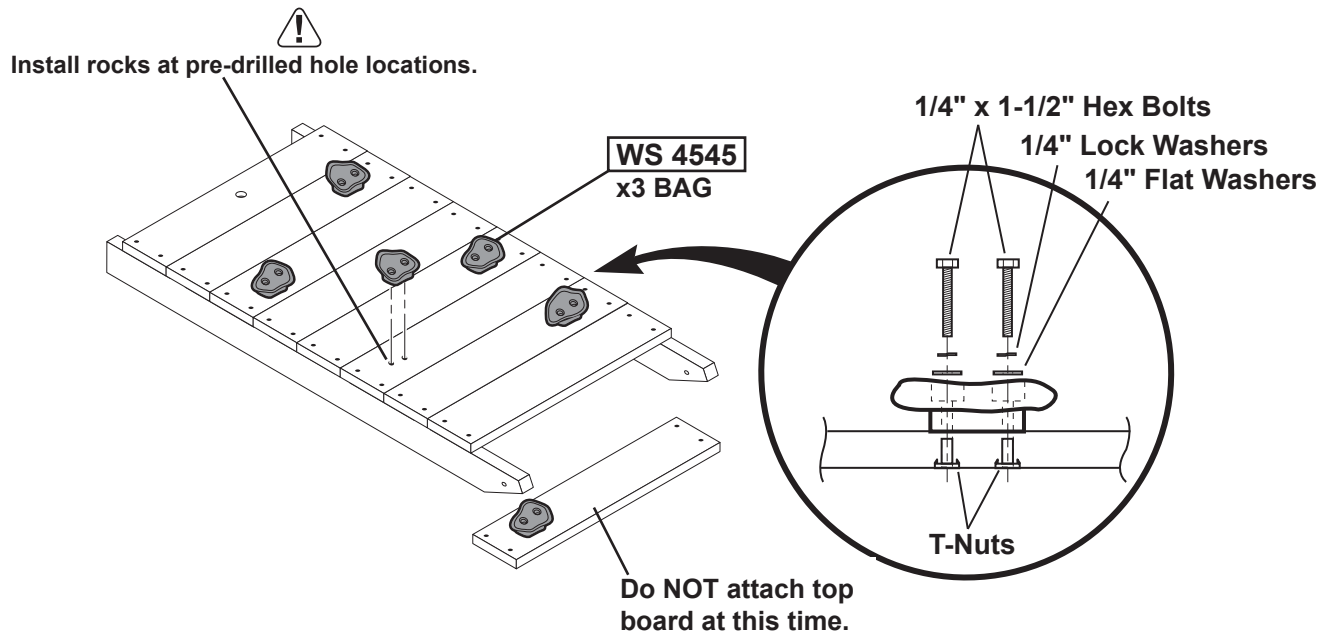
# ASSEMBLE

Place planks onto rails (1826-CC) as shown.  
 If rails are fully pre-drilled, align all planks and screws with pre-drills.  
 If rails are not pre-drilled, install planks flush to each other.  
 Secure planks using 2-1/2" wood screws.



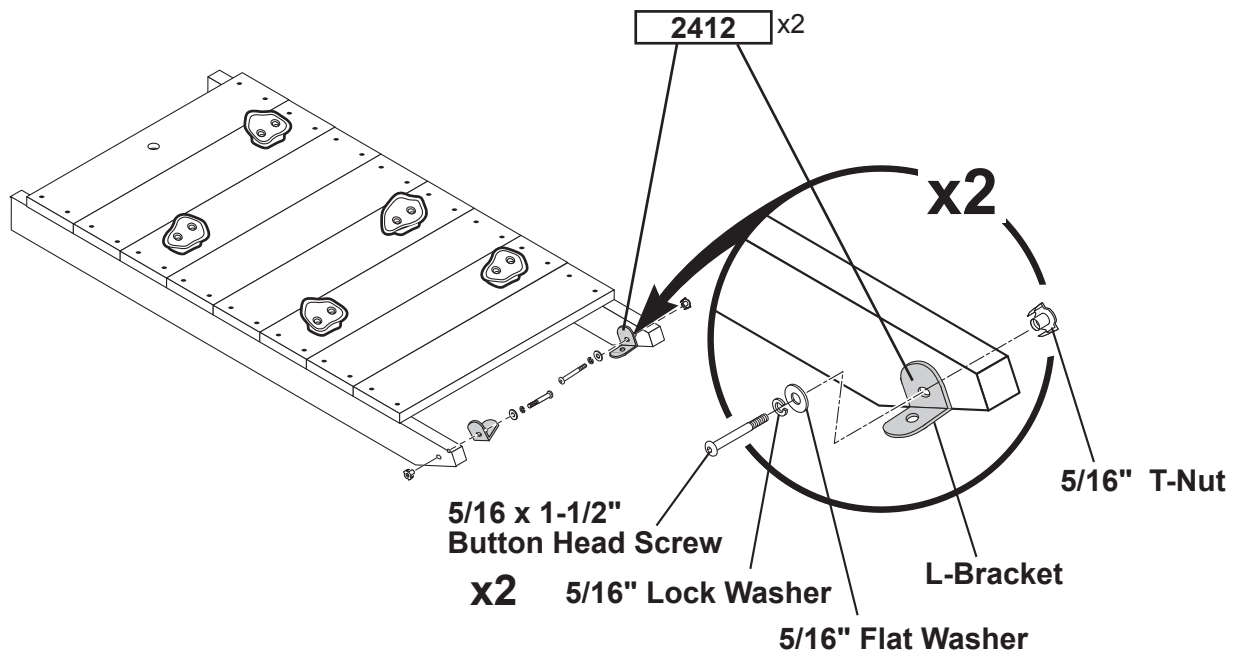
# ROCK WALL

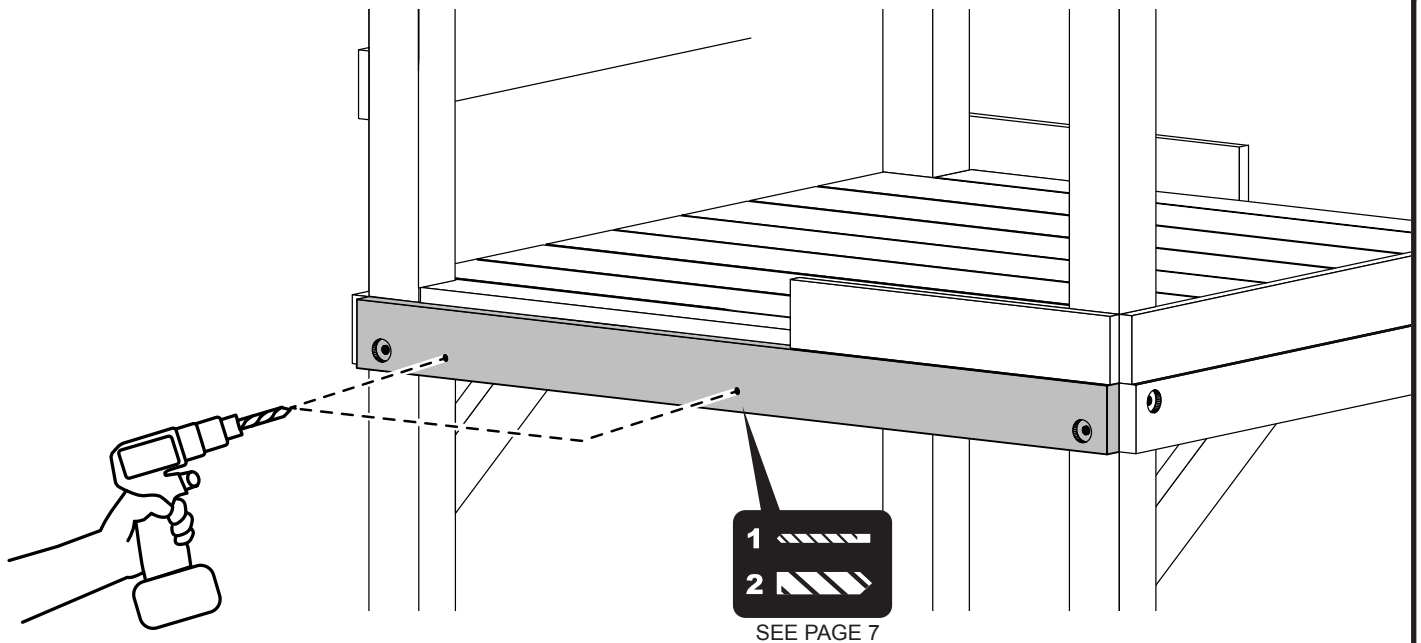
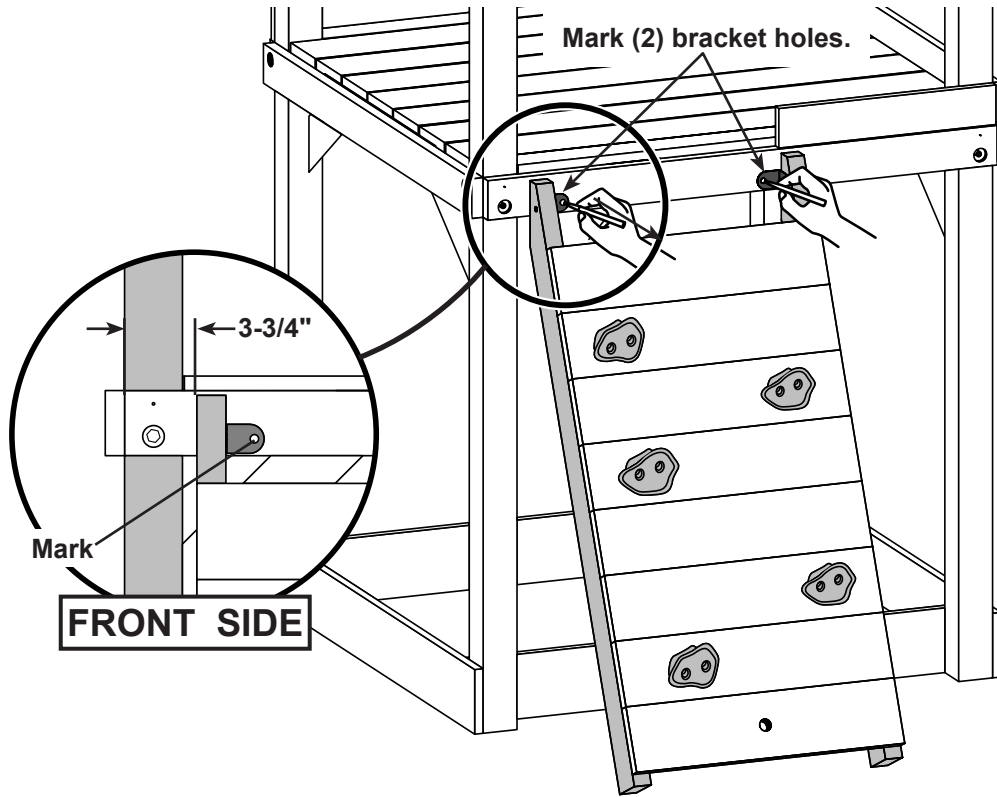
# ROCKS



# ROCK WALL

# BRACKETS





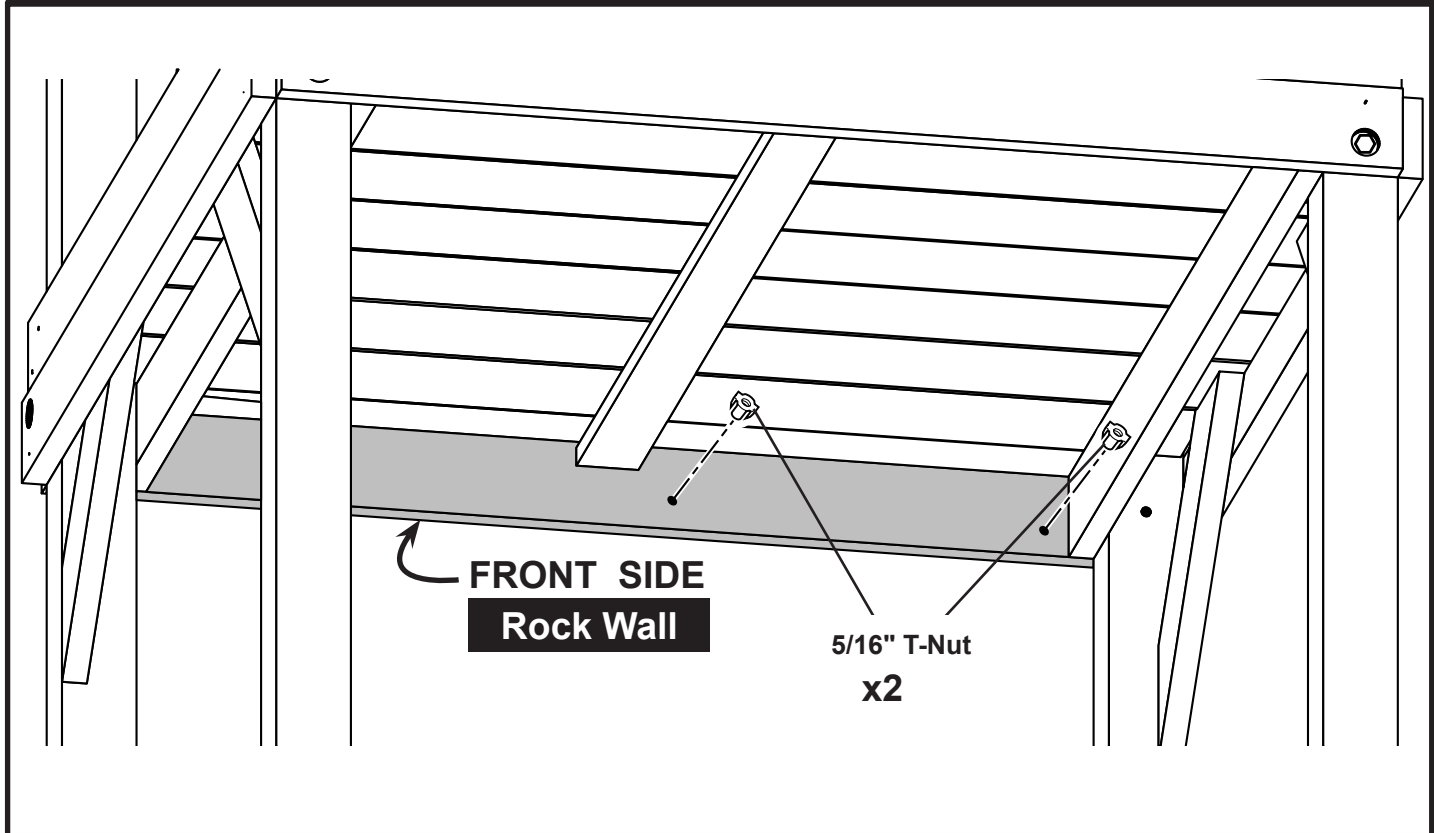
Pre-drill two 1/4" pilot holes at marked locations.  
 Re-drill holes from opposite side using 3/8" bit.

**FRONT SIDE**  
**Rock Wall**



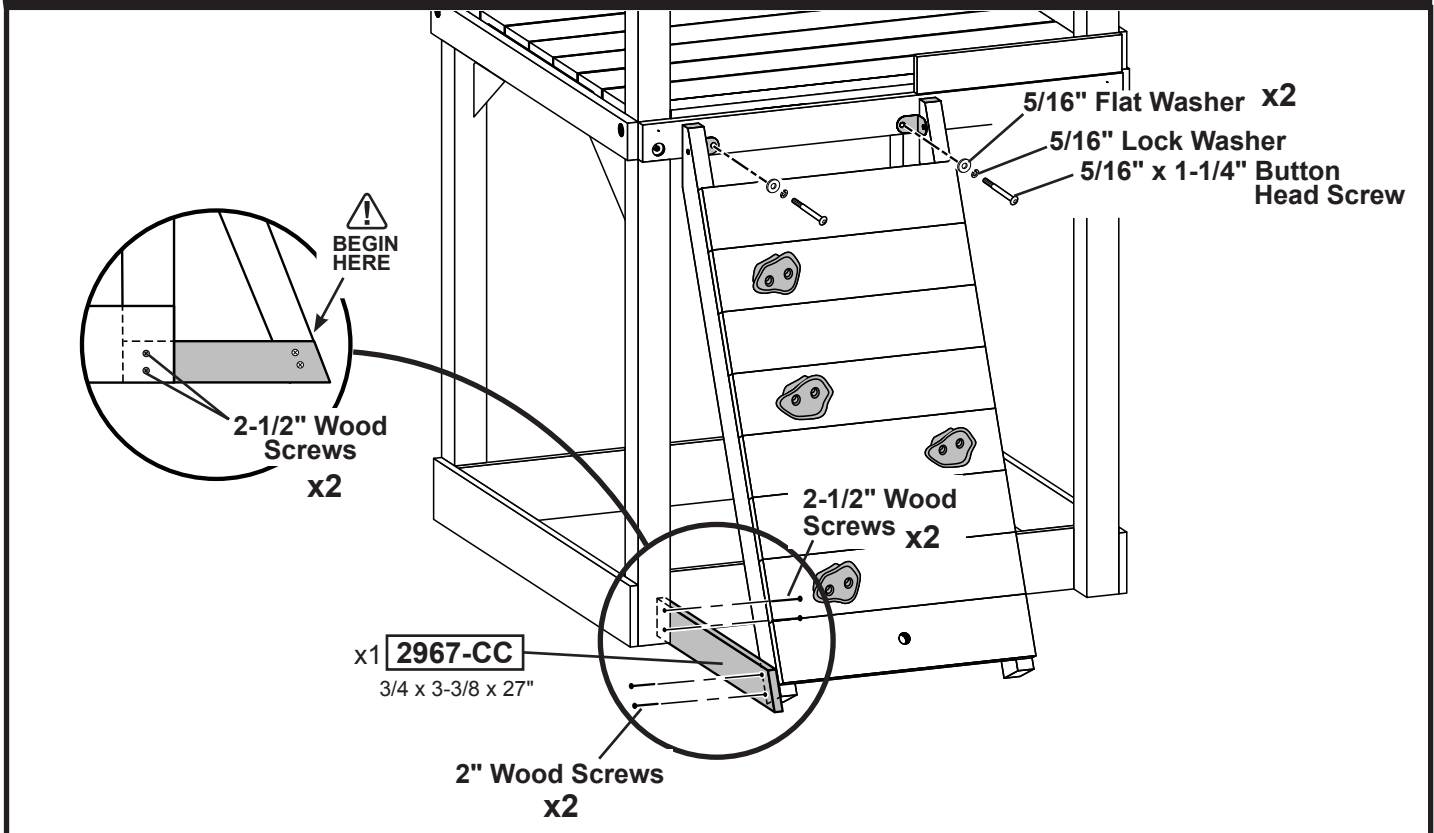
# ROCK WALL

# INSTALL



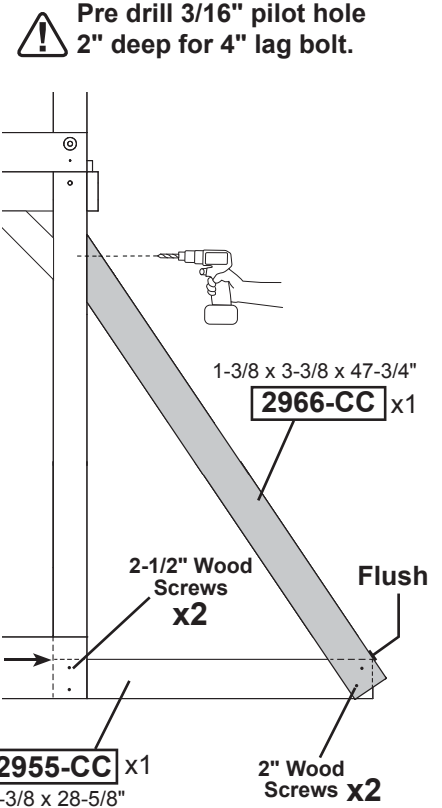
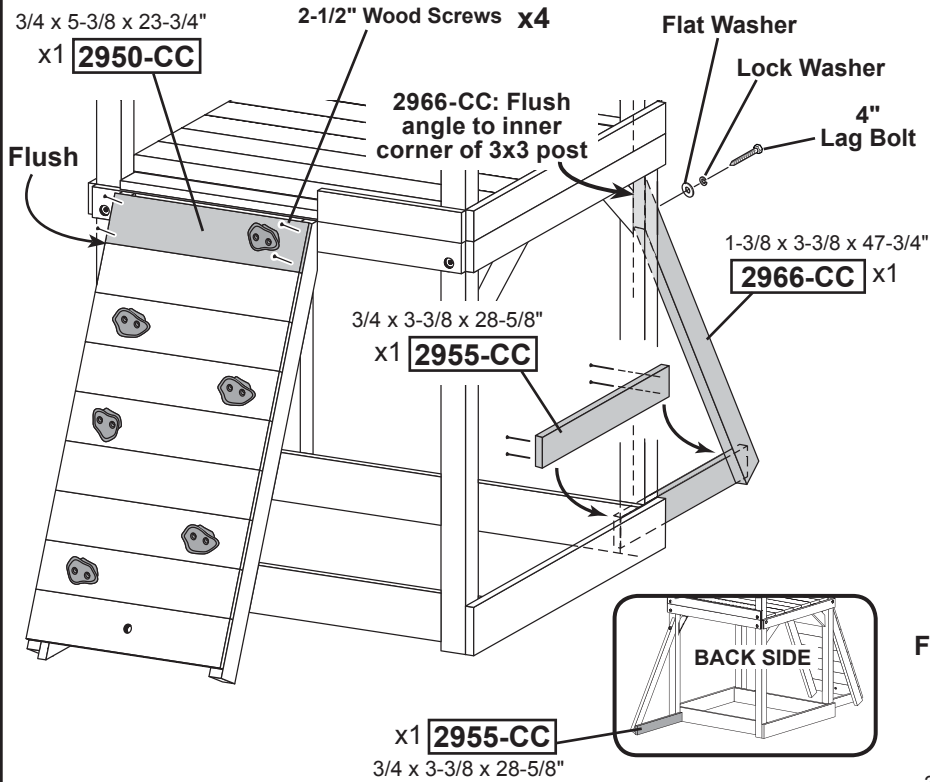
# ROCK WALL

# INSTALL



# ANGLE BRACE

# INSTALL



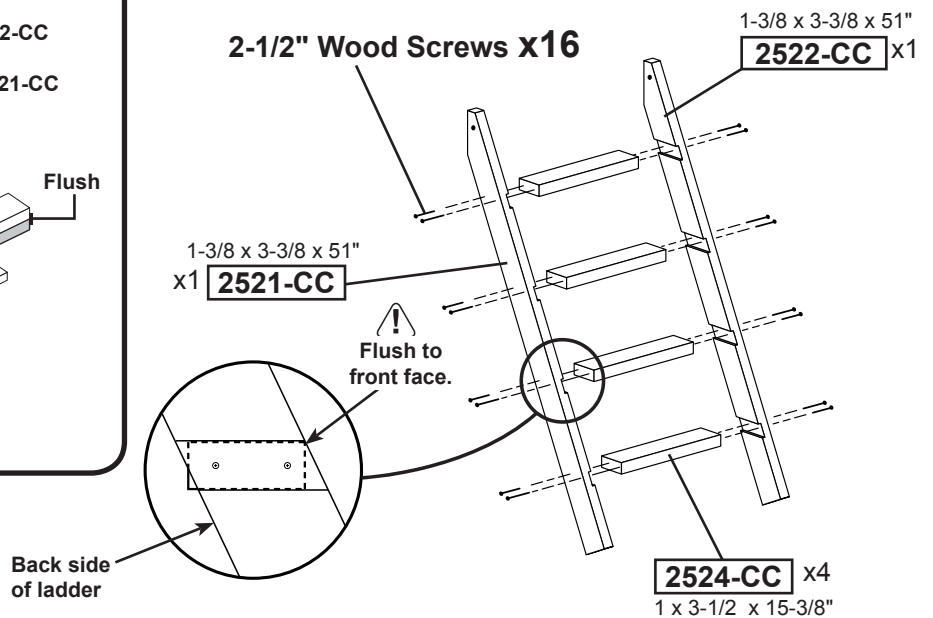
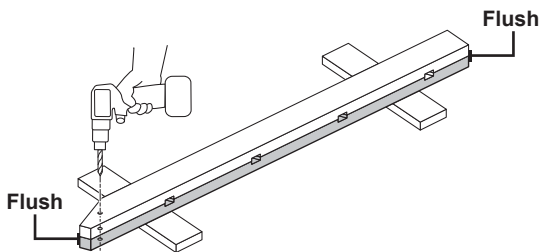
# STEP LADDER

# ASSEMBLE

## Before Assembling Step Ladder:

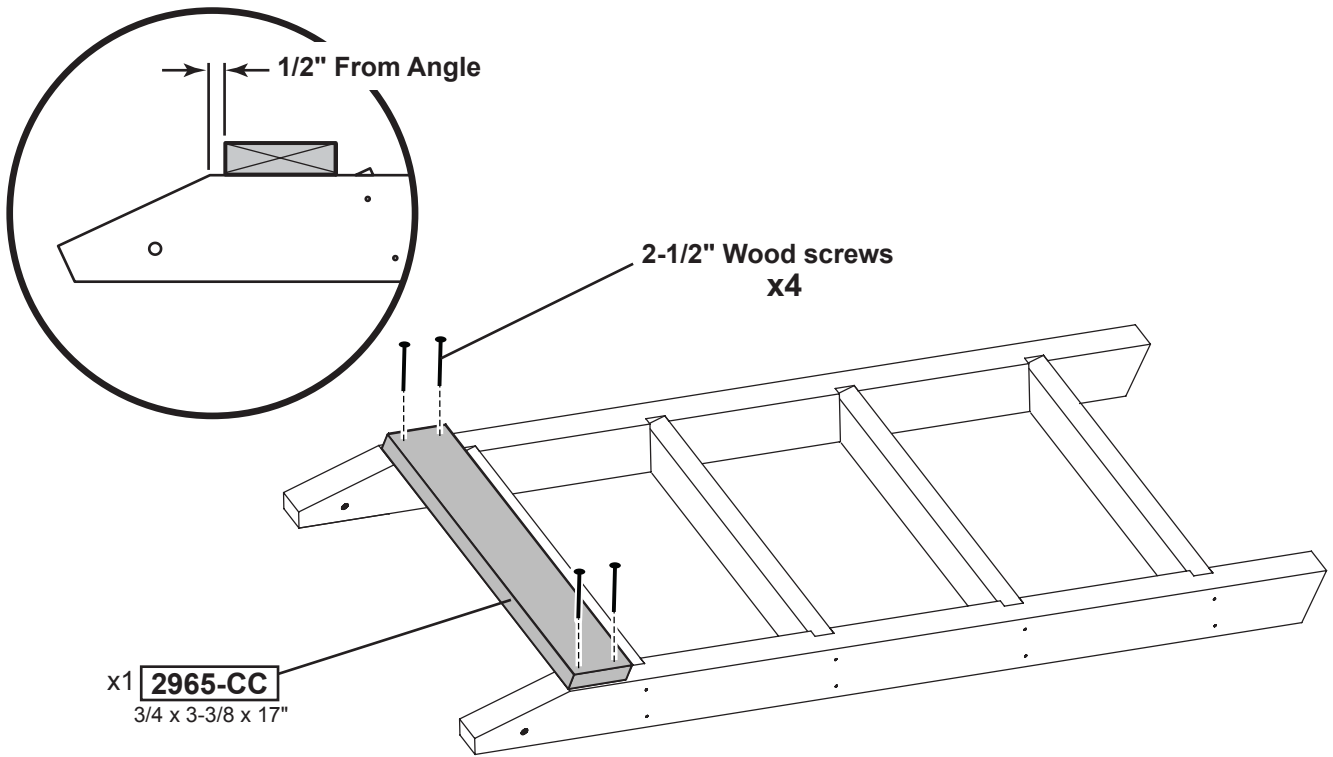
⚠ If 2521-CC has thru-hole, skip these steps.

1. Stack and align parts as shown with 2522-CC on top.
2. Hold parts and drill 3/8" hole through 2521-CC using 2522-CC as a guide.
3. Holes must be exactly aligned.



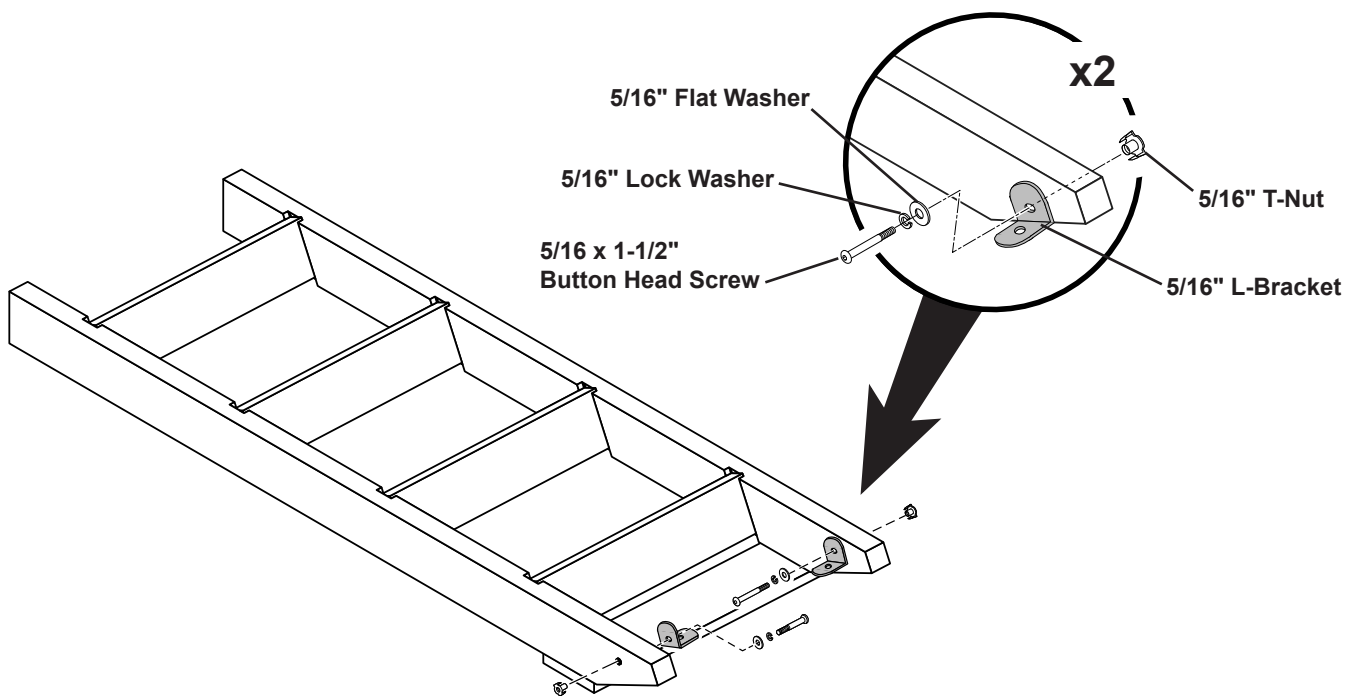
# STEP LADDER

# ASSEMBLE



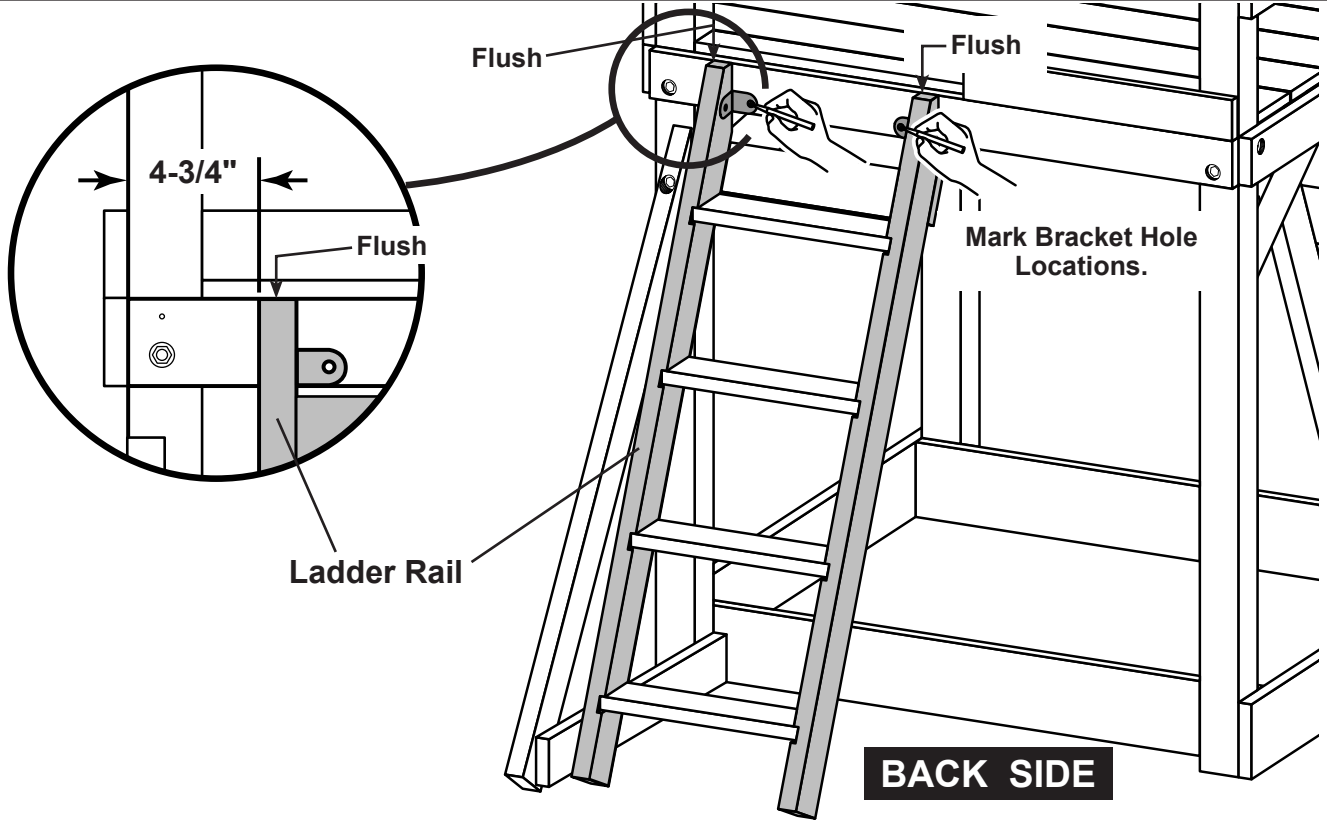
# STEP LADDER

# ASSEMBLE



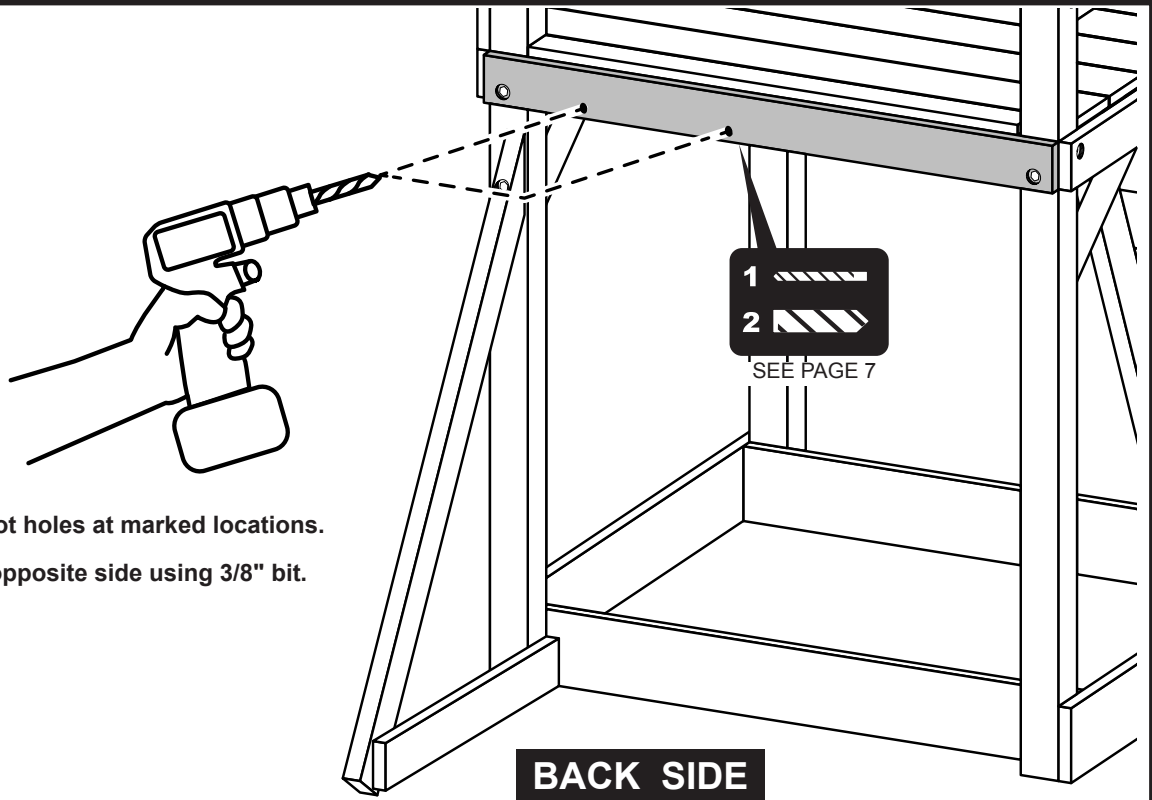
# STEP LADDER

# INSTALL



# STEP LADDER

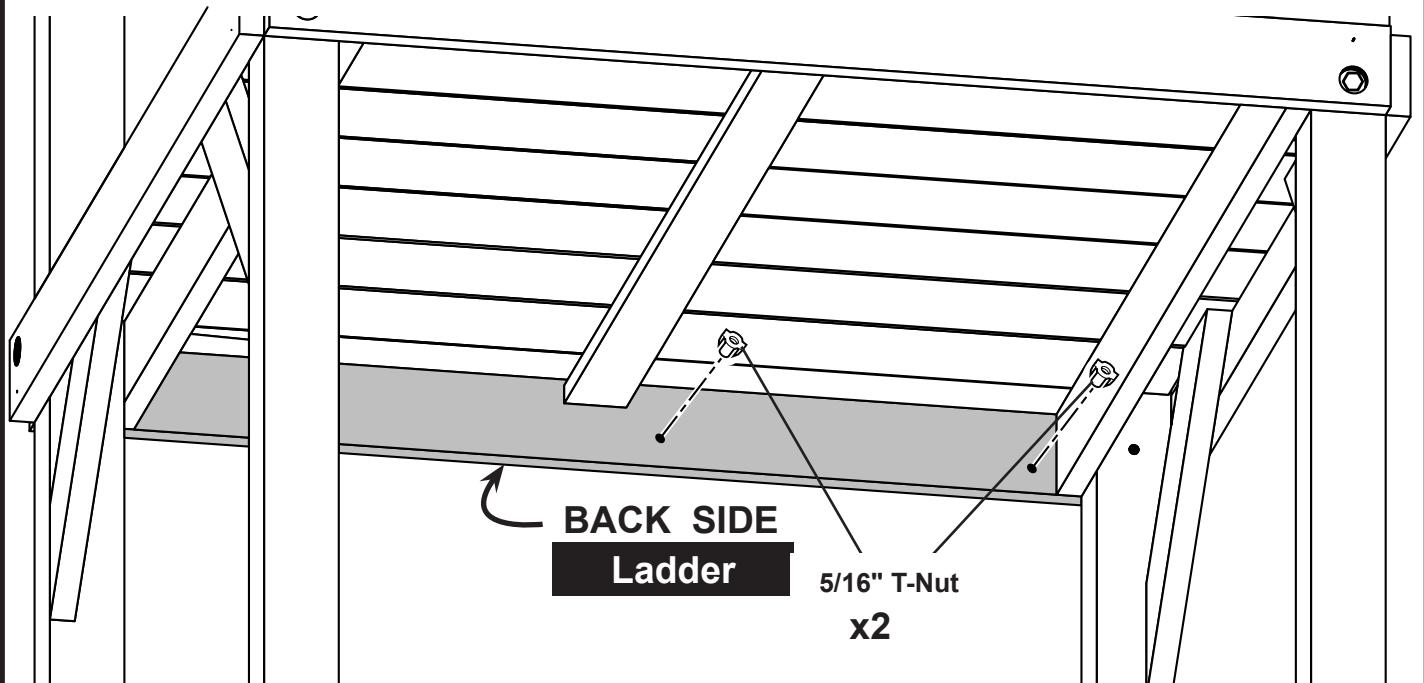
# INSTALL



Pre-drill two 1/4" pilot holes at marked locations.  
Re-drill holes from opposite side using 3/8" bit.

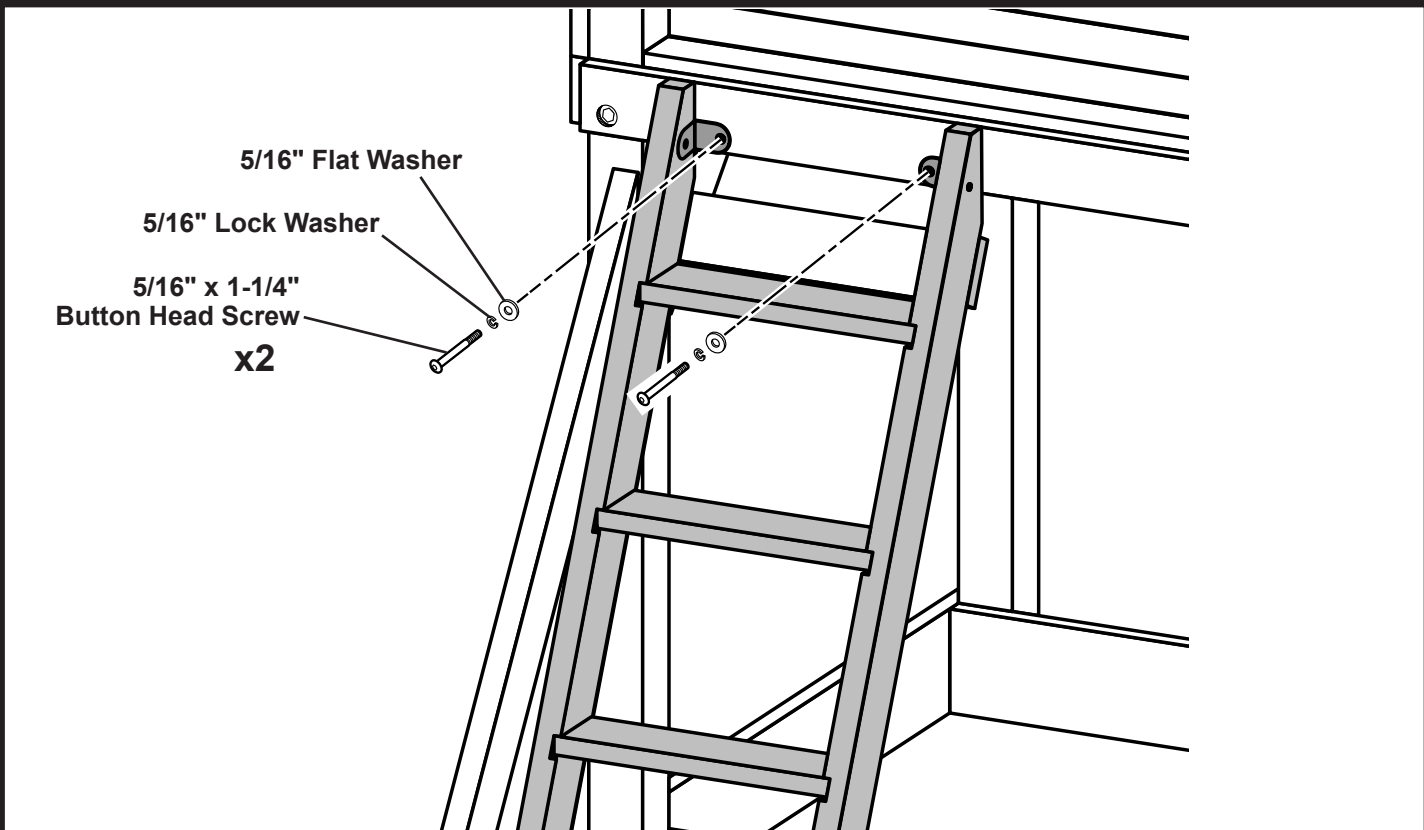
# STEP LADDER

# INSTALL



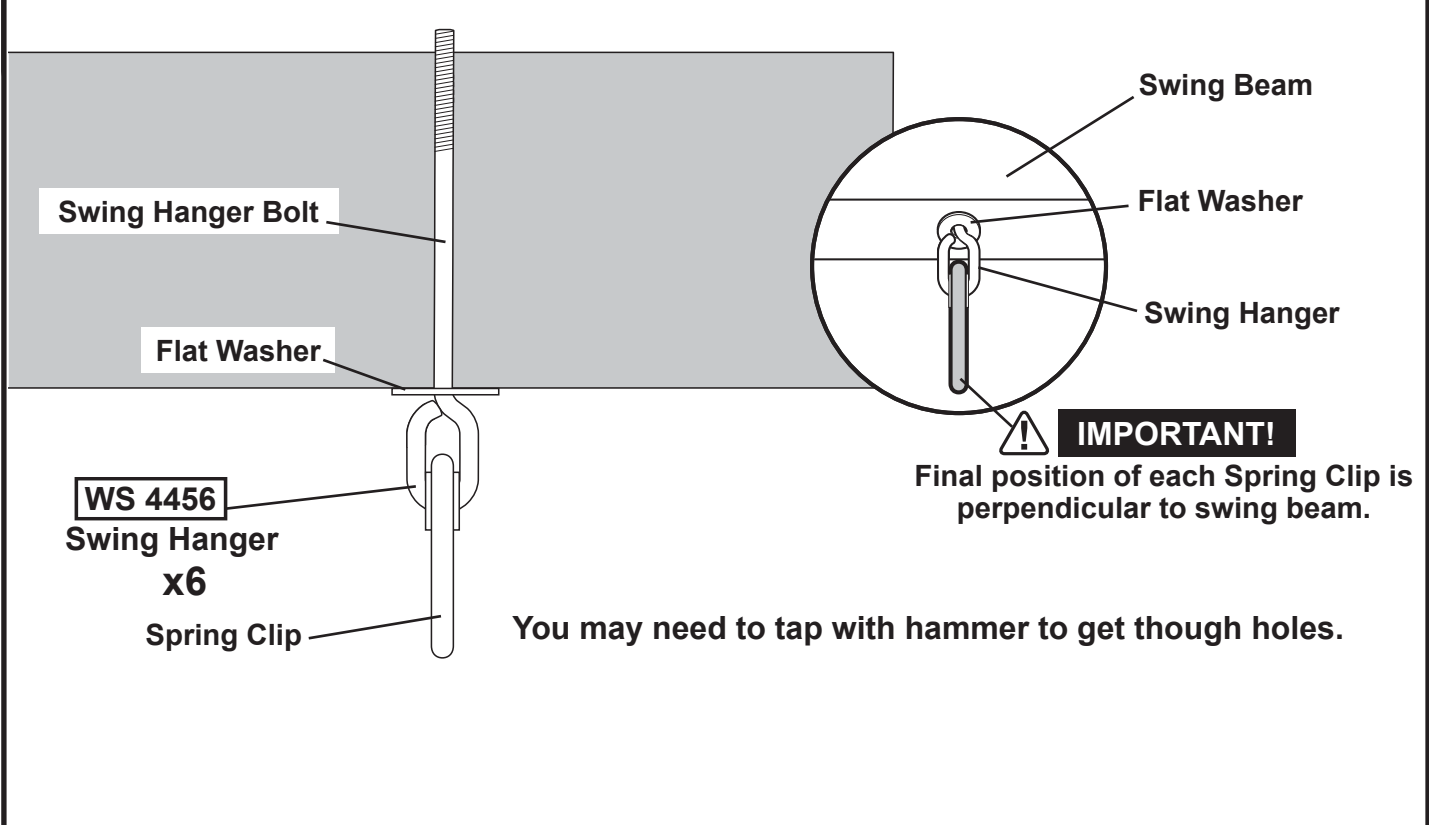
# STEP LADDER

# INSTALL



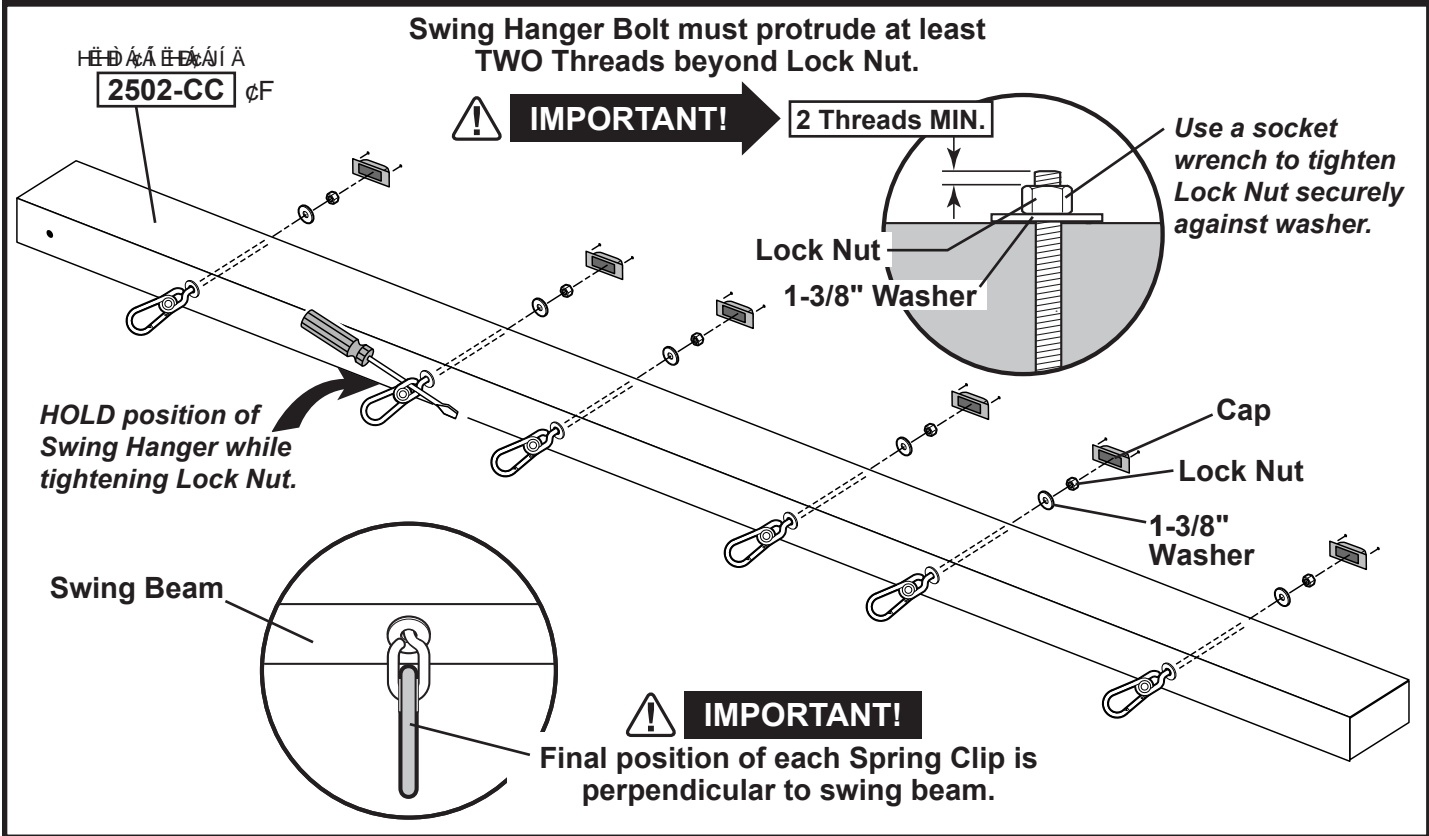
# SWING BEAM

# SWING HANGERS - INSTALL



# SWING BEAM

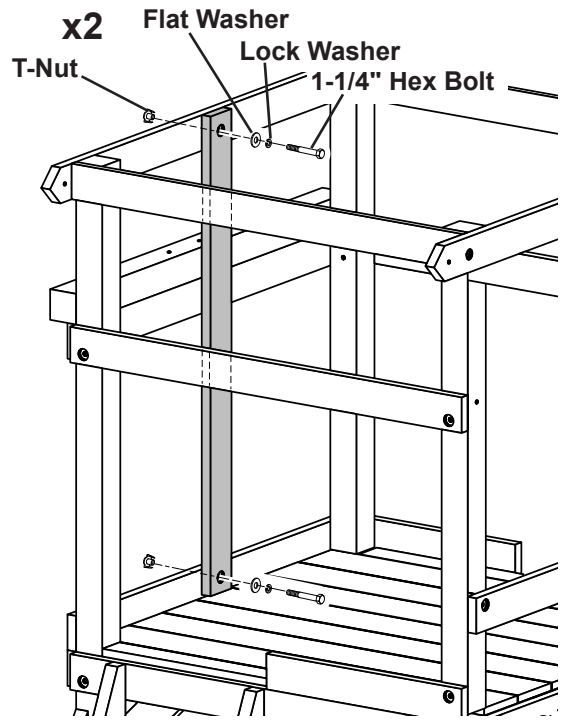
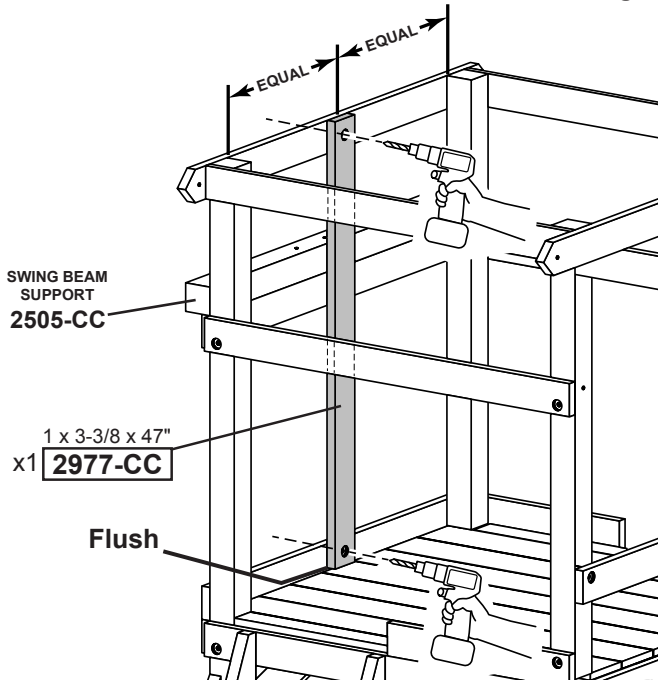
# SWING HANGERS



# UPRIGHT

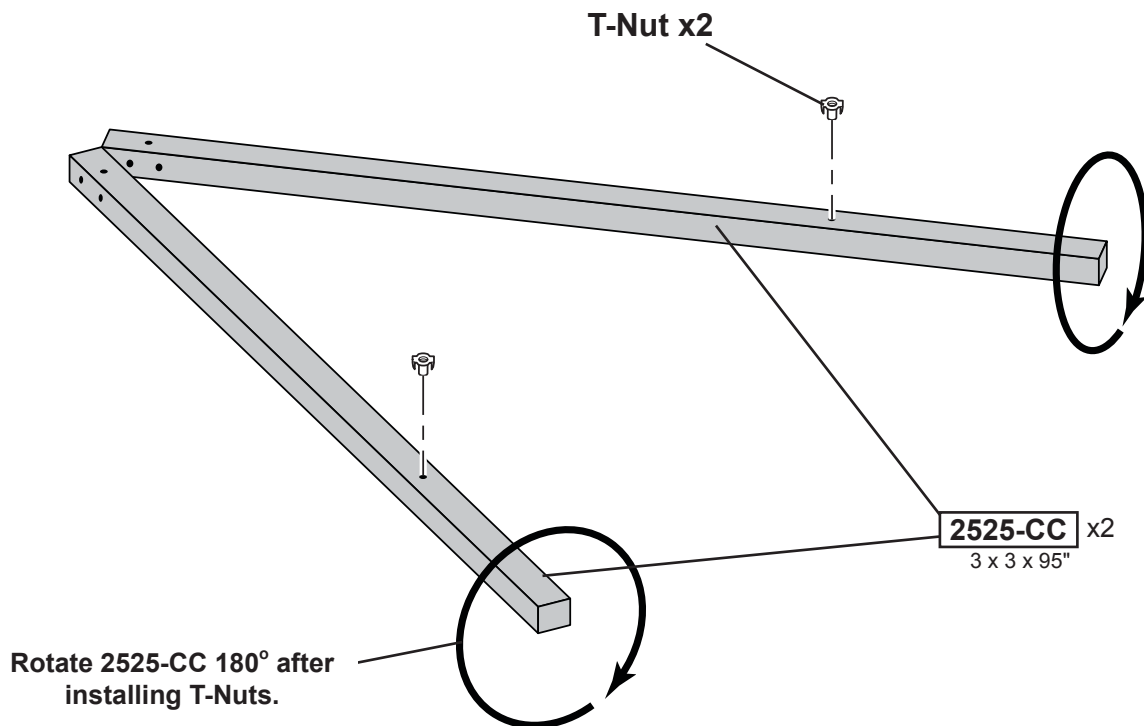
# INSTALL

Center 2977-CC. Mark and Pre drill 7/16" through holes for hex bolt.



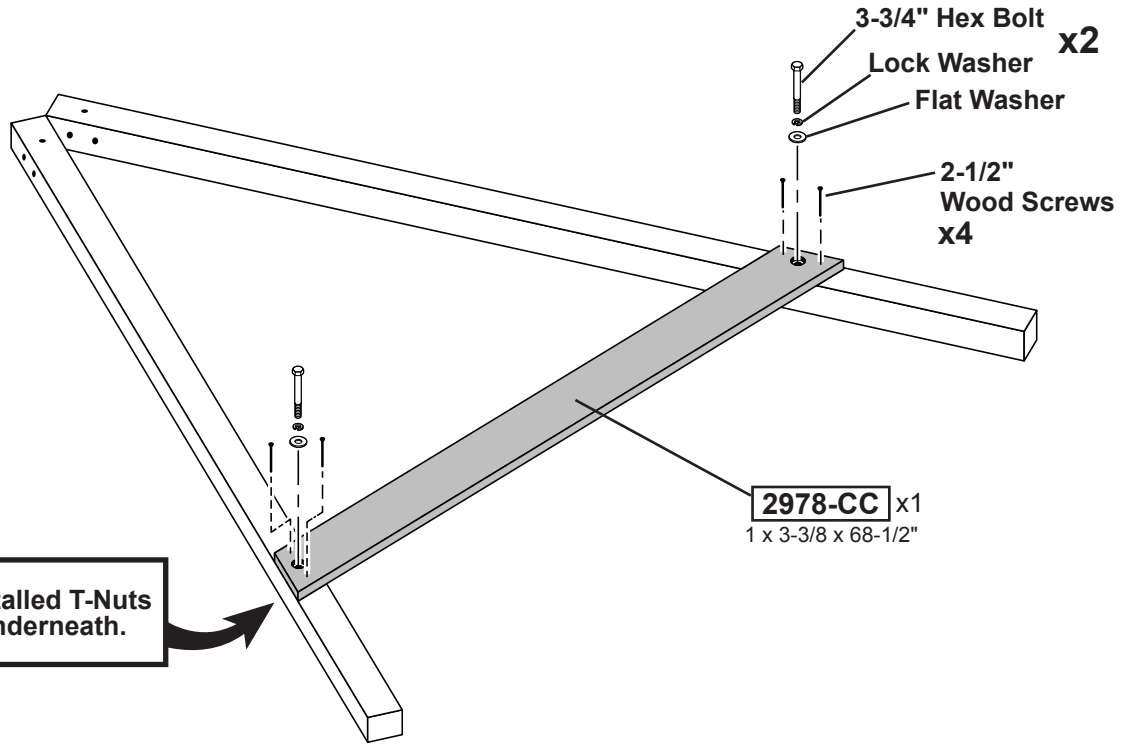
# A - FRAME

# ASSEMBLE



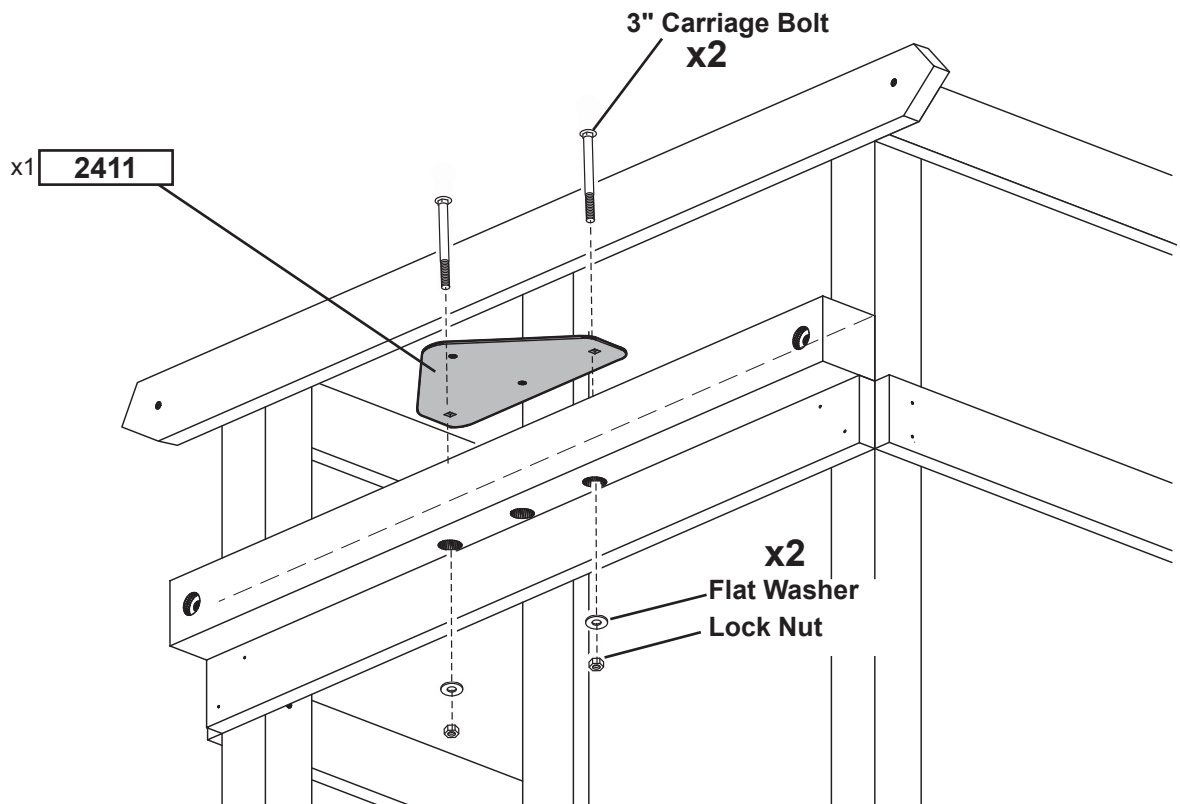
# A - FRAME

# ASSEMBLE



# SWING BEAM

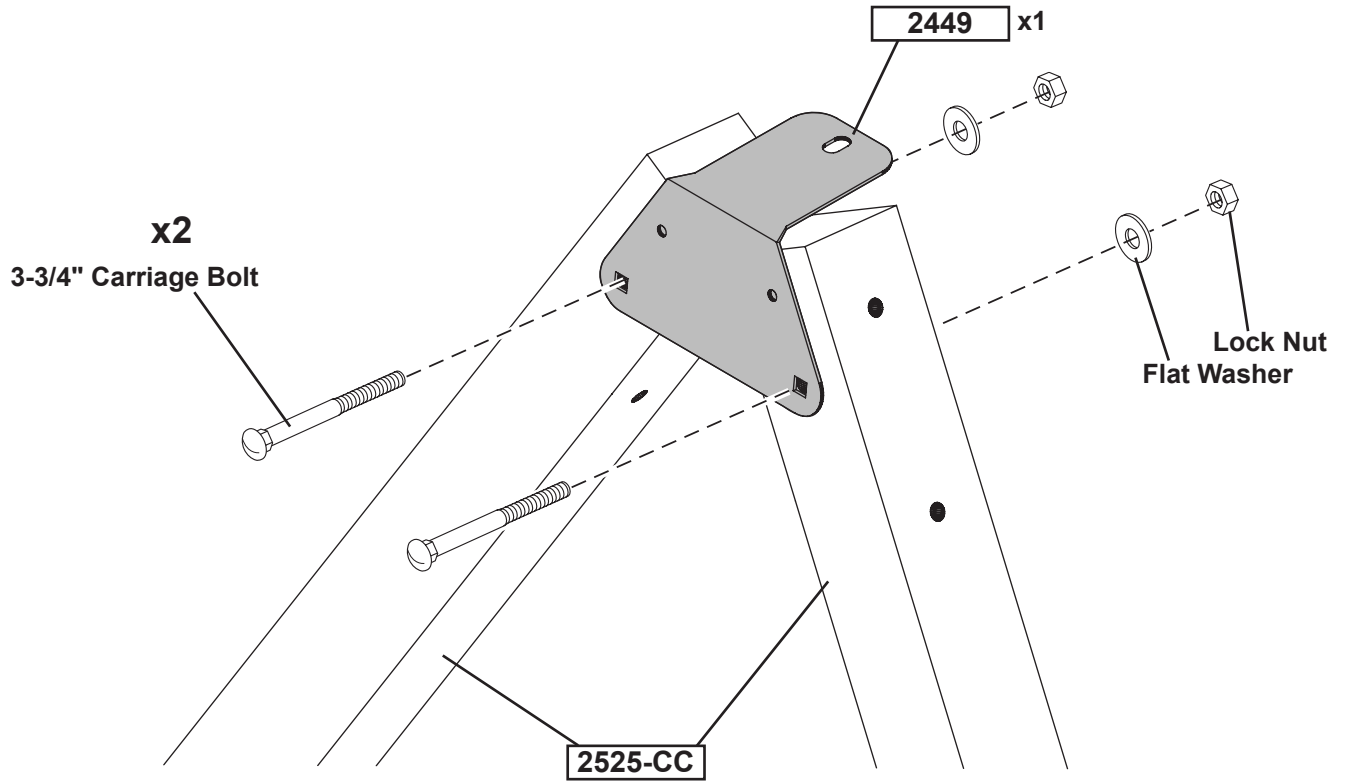
# FLAT PLATE





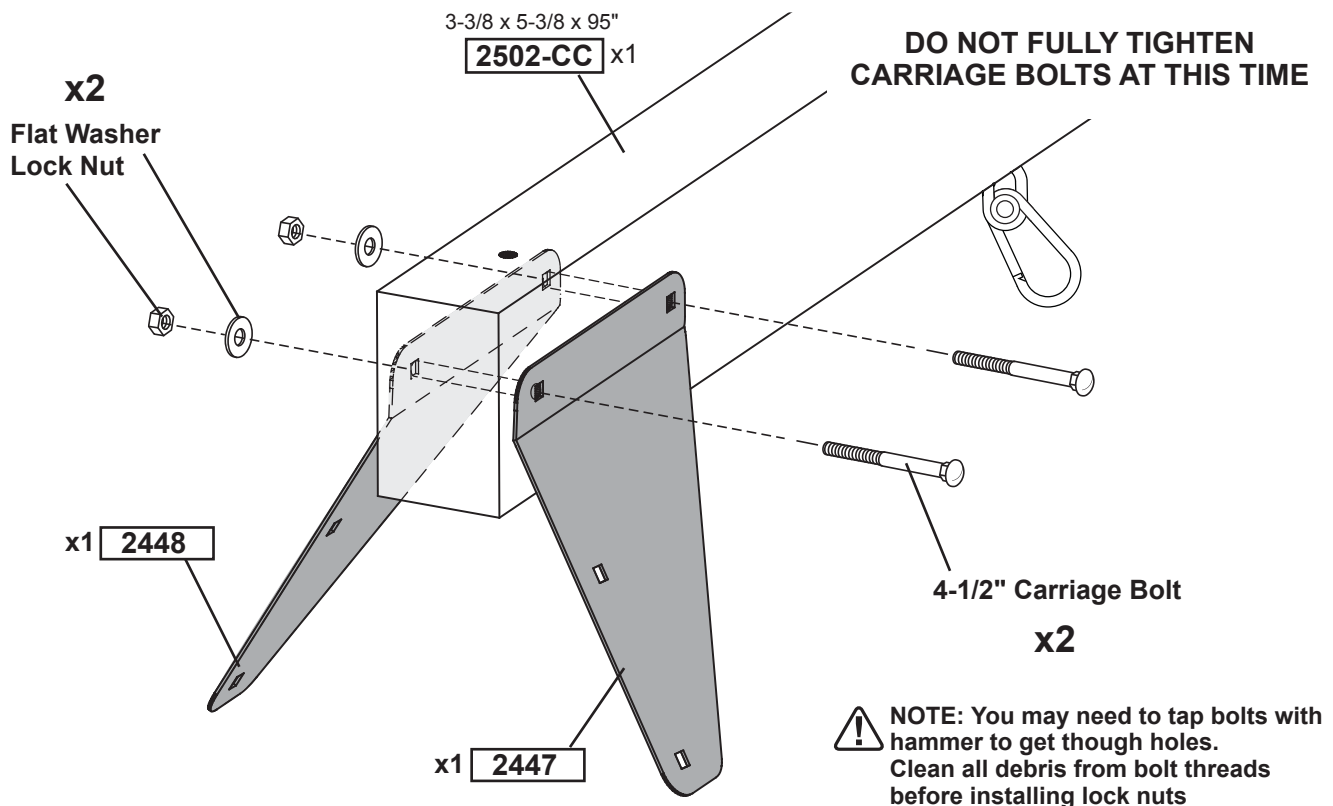
# A - FRAME

# 90° PLATE



# SWING BEAM

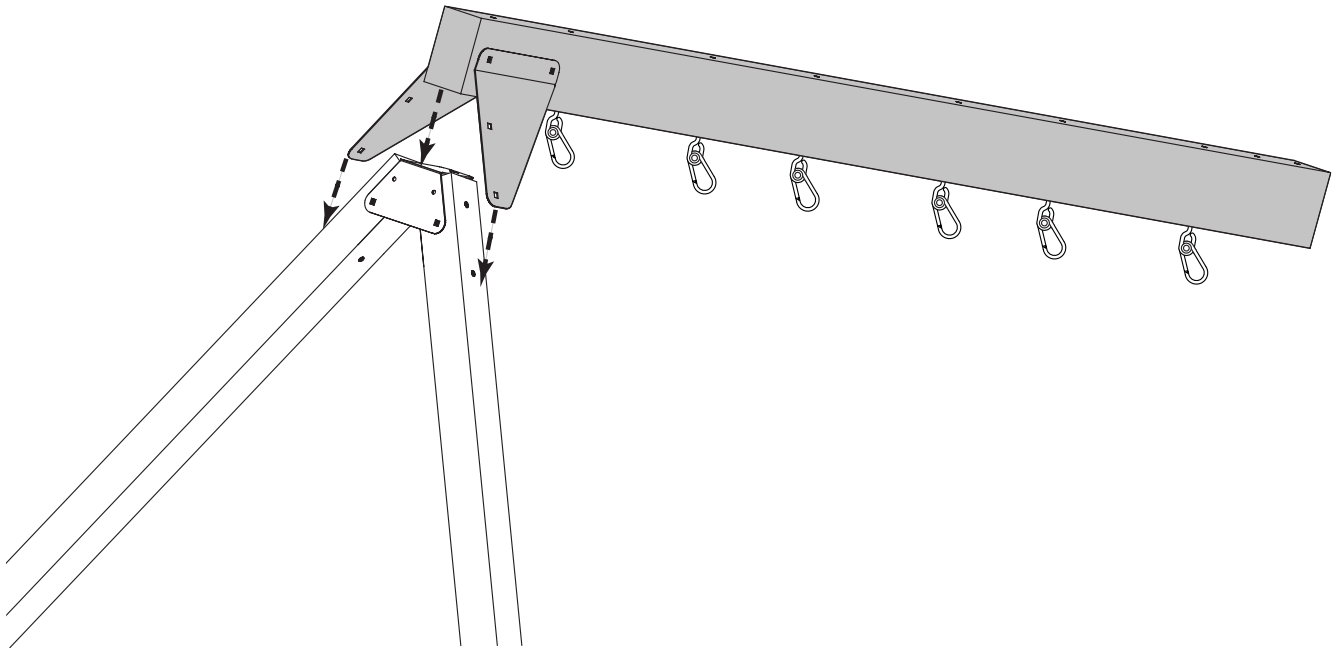
# ANGLED PLATES



# SWING BEAM

# ASSEMBLE

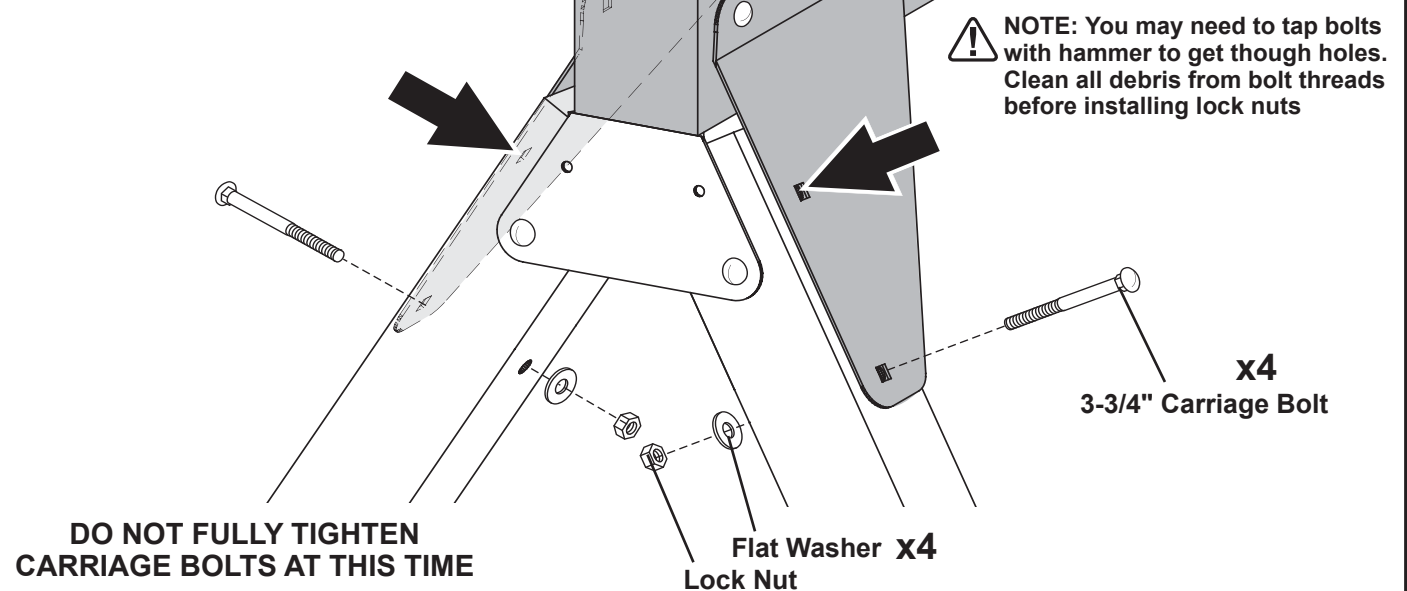
Position swing beam assembly resting upon A-frame.



# SWING BEAM

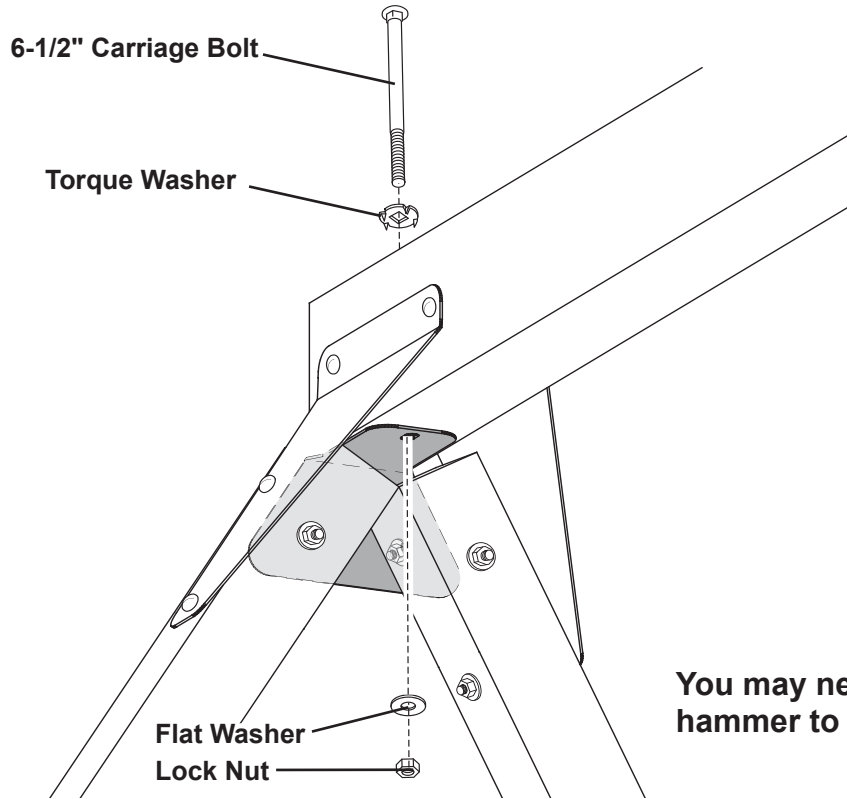
# ASSEMBLE

Align holes and insert carriage bolt.  
Repeat where arrows are shown.



# SWING BEAM

# ASSEMBLE

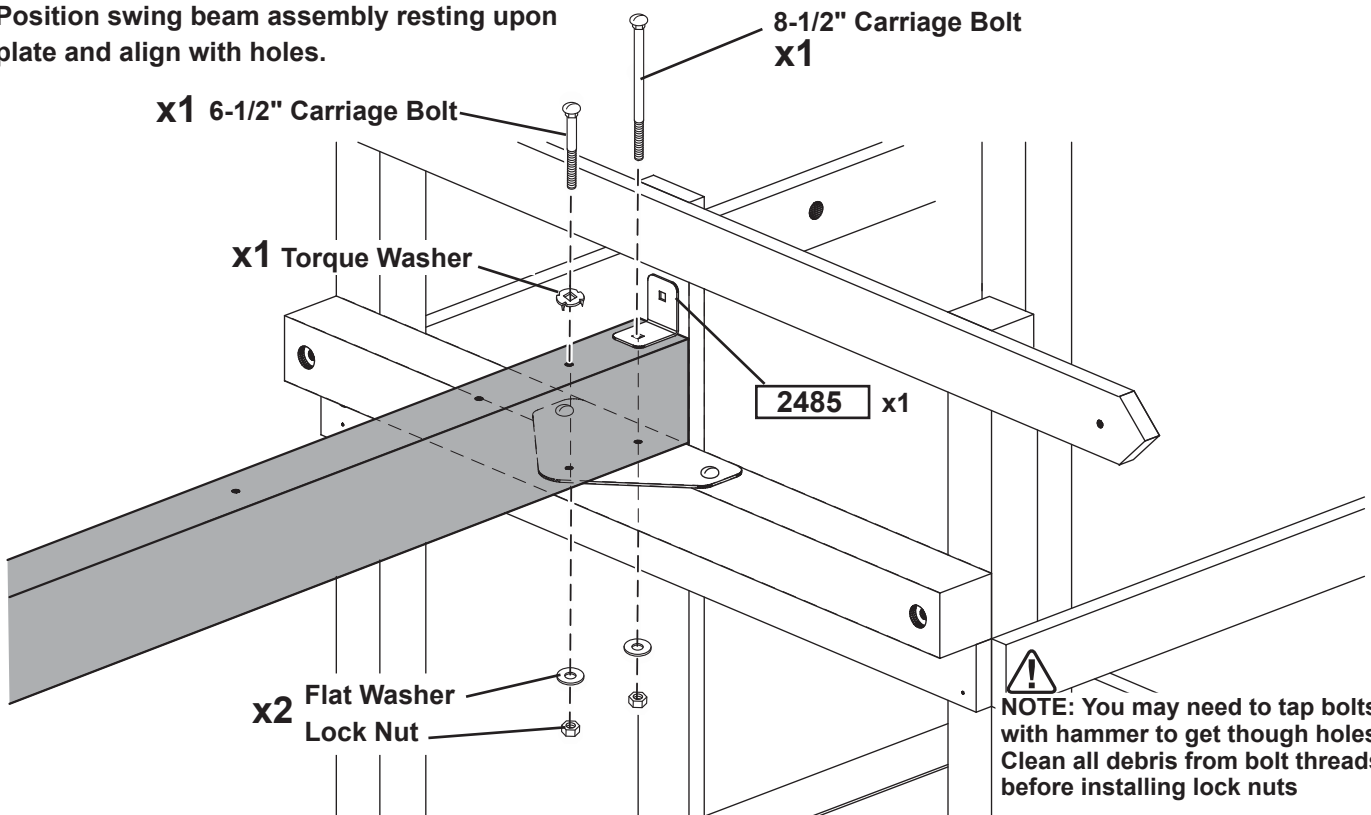


You may need to tap with hammer to get though holes.

# SWING BEAM

# INSTALL

Position swing beam assembly resting upon plate and align with holes.

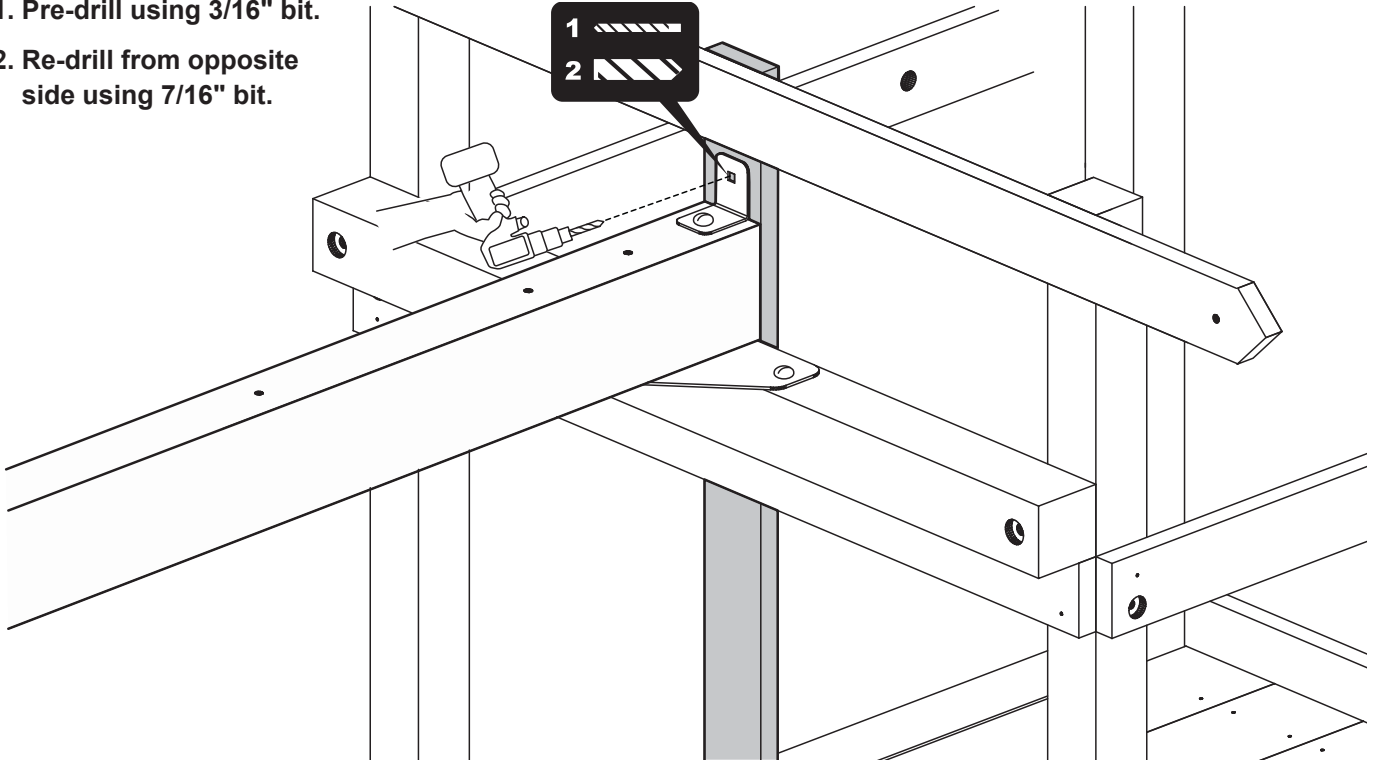


# SWING BEAM

# INSTALL

- 1. Pre-drill using 3/16" bit.
- 2. Re-drill from opposite side using 7/16" bit.

SEE PAGE 7

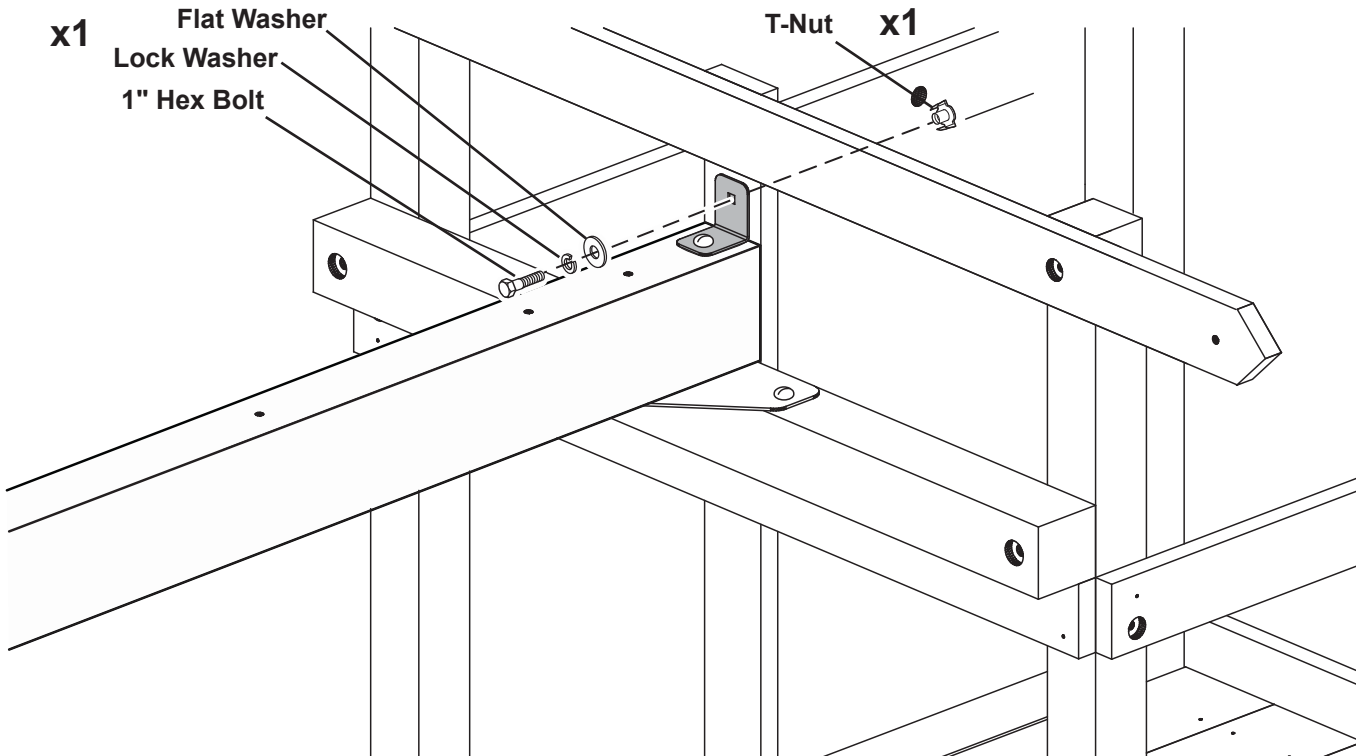


# SWING BEAM

# INSTALL

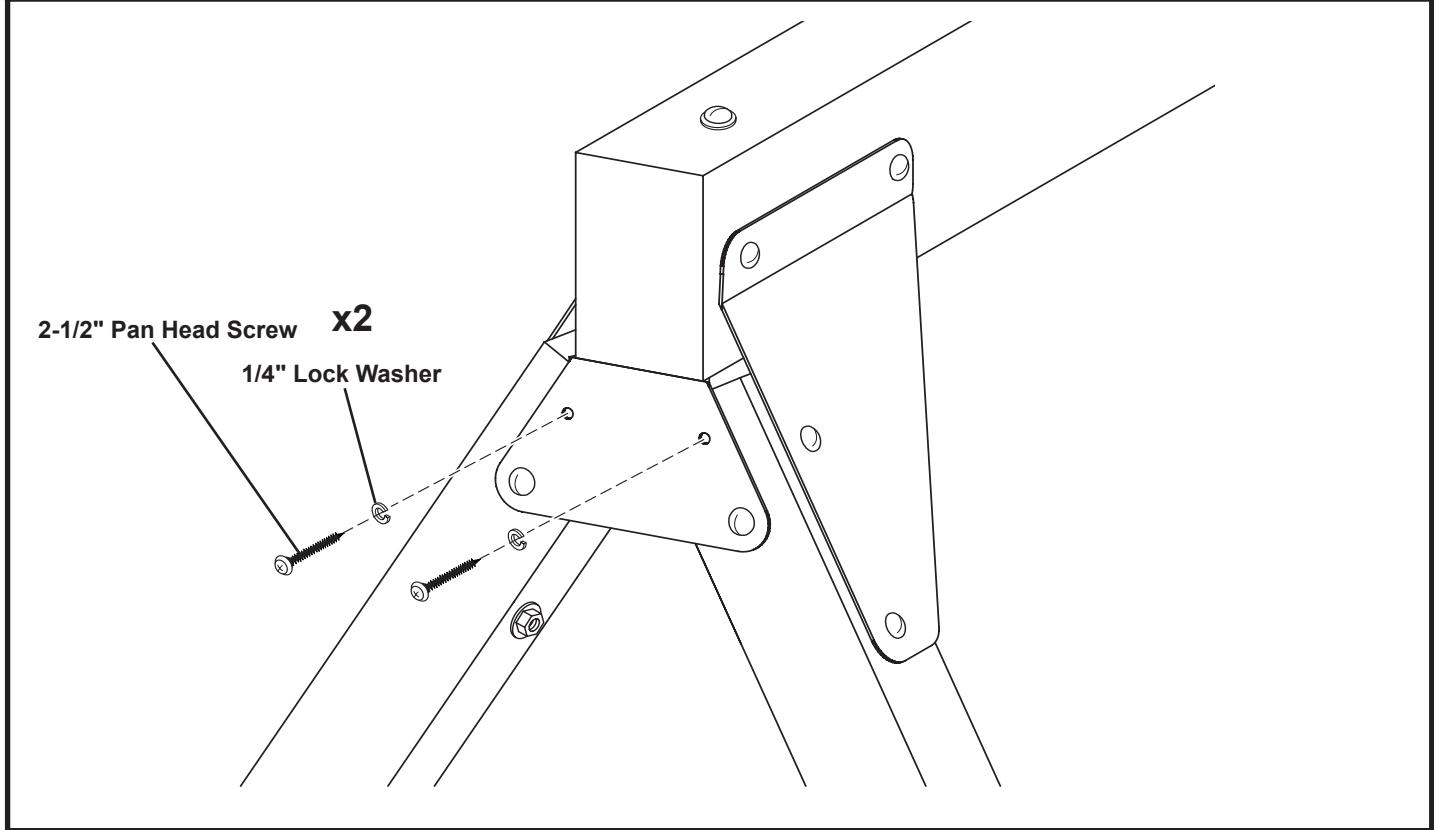
- x1 Flat Washer
- Lock Washer
- 1" Hex Bolt

- T-Nut x1



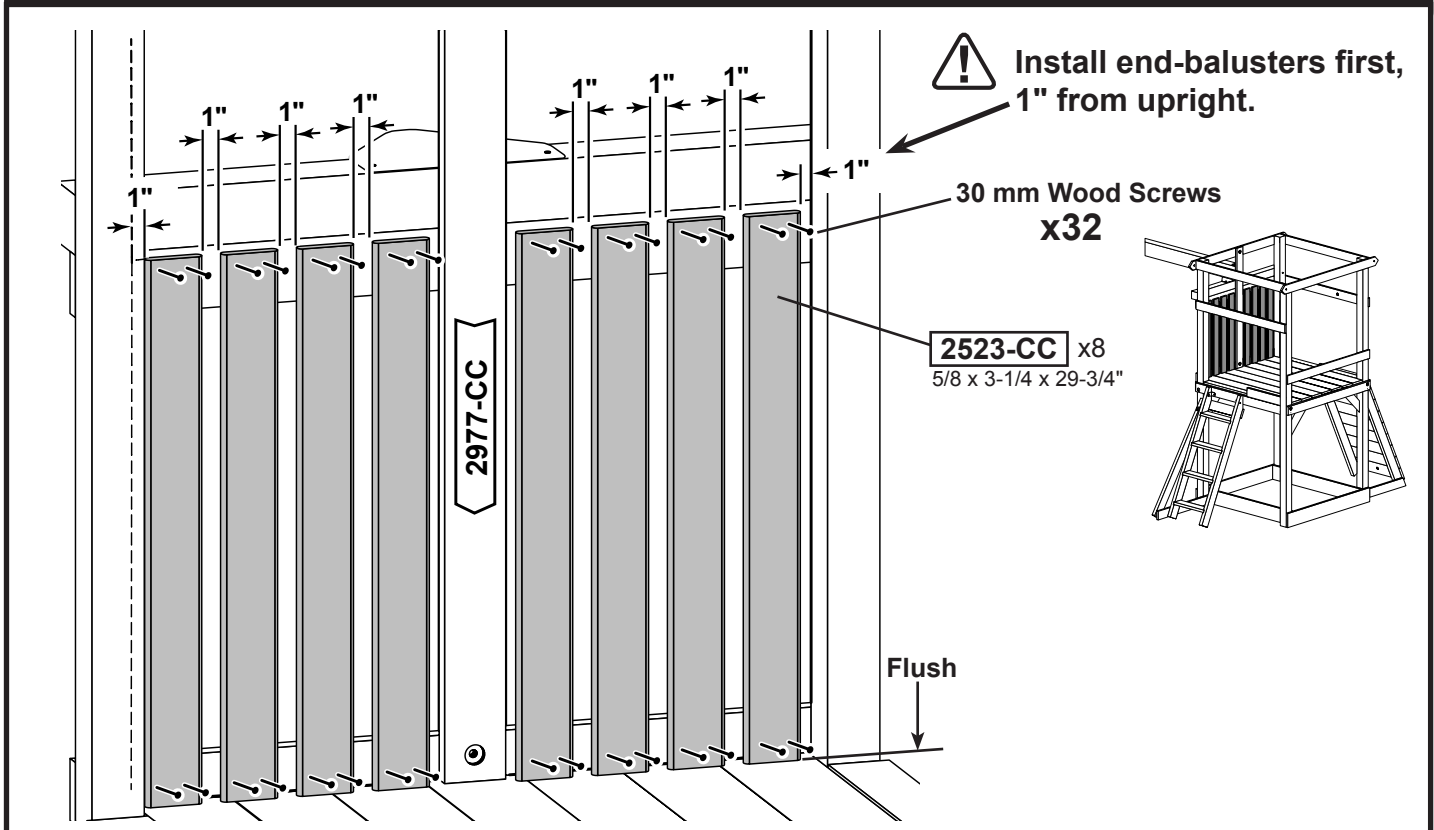
# SWING BEAM

# ASSEMBLE




# FORT

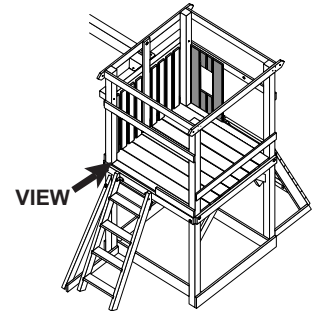
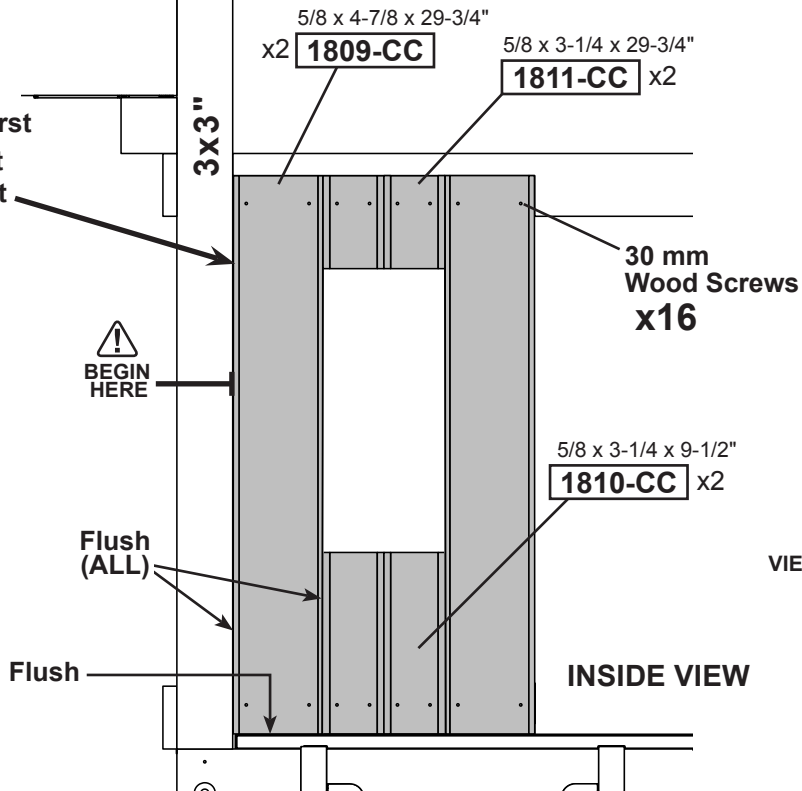
# BALUSTERS



# FORT

# ROCK WALL SIDE BALUSTERS

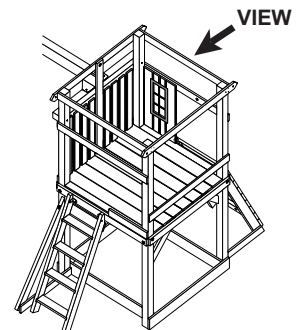
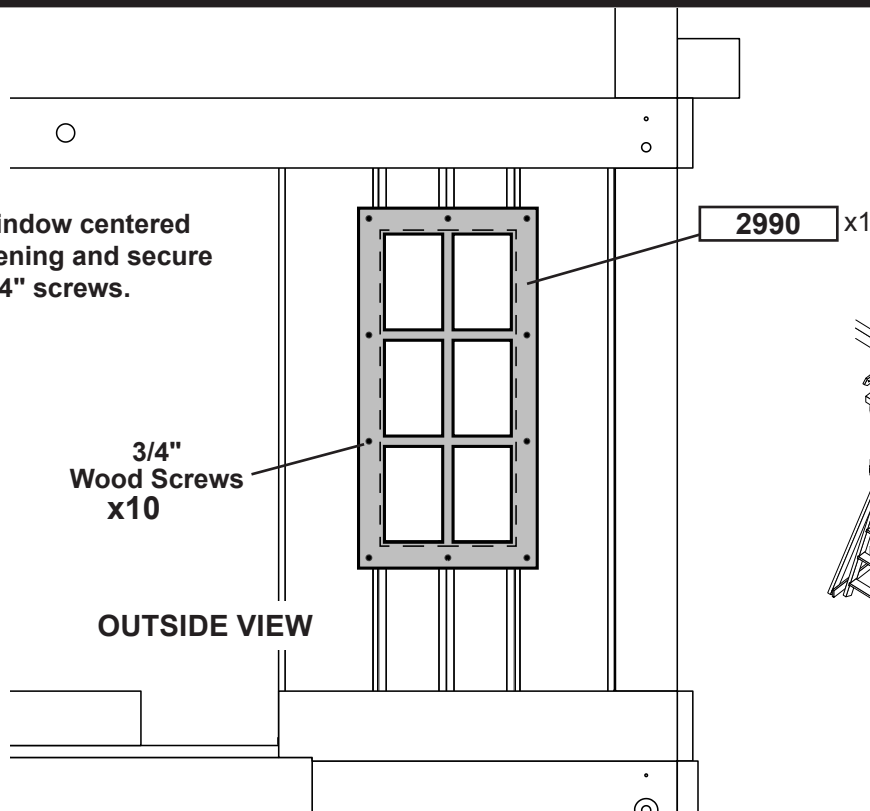
  
Install end-baluster first  
Flush tightly against  
fort 3x3" corner post  
and 5/8" above  
deck boards.



# FORT

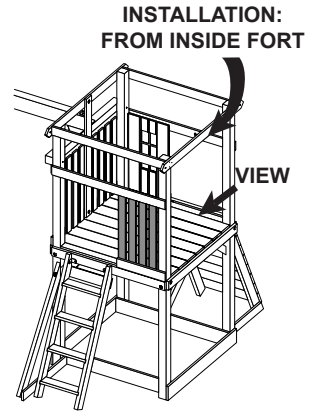
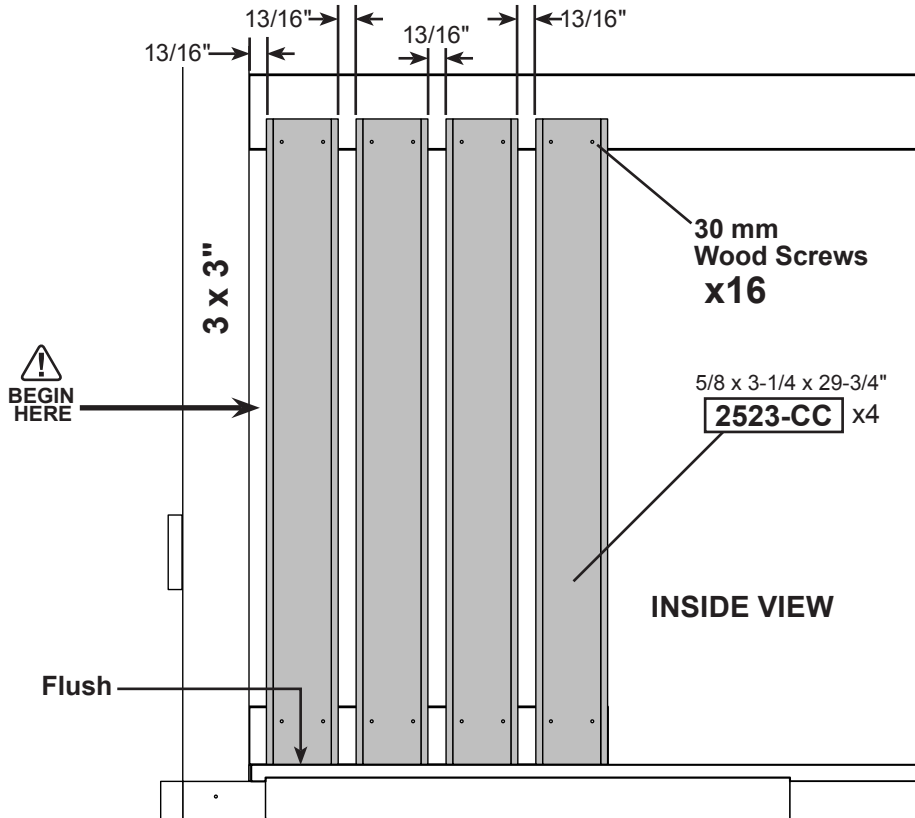
# WINDOW

Place window centered  
over opening and secure  
using 3/4" screws.



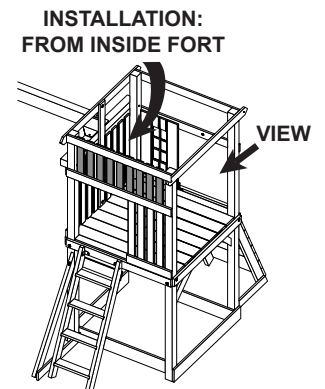
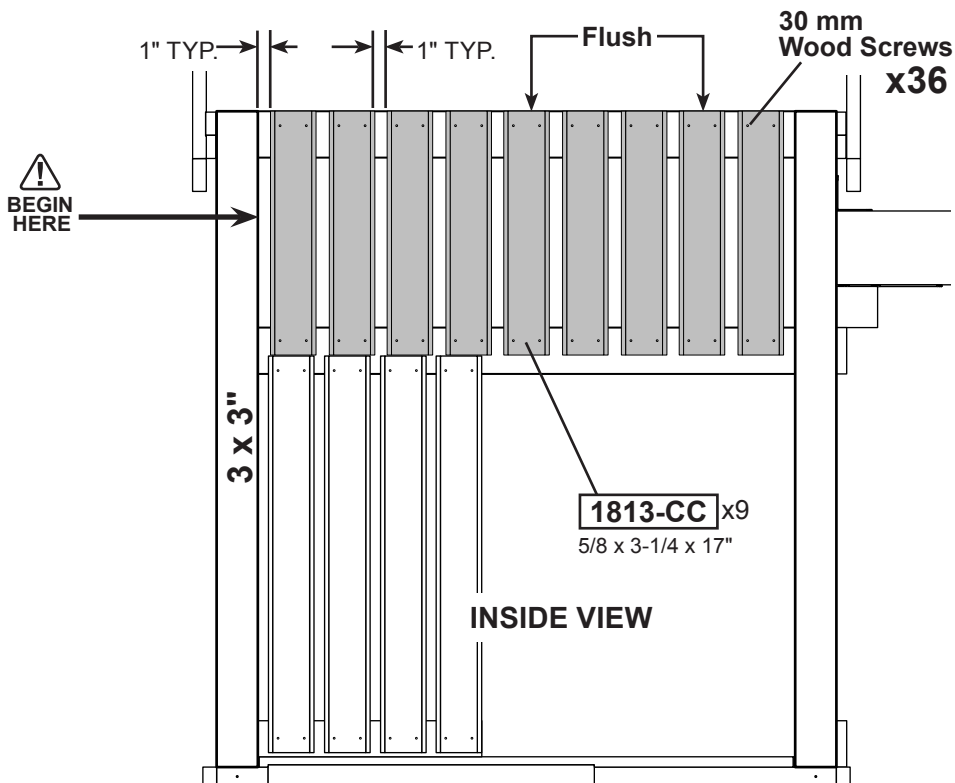
# FORT

# LADDER SIDE BALUSTERS



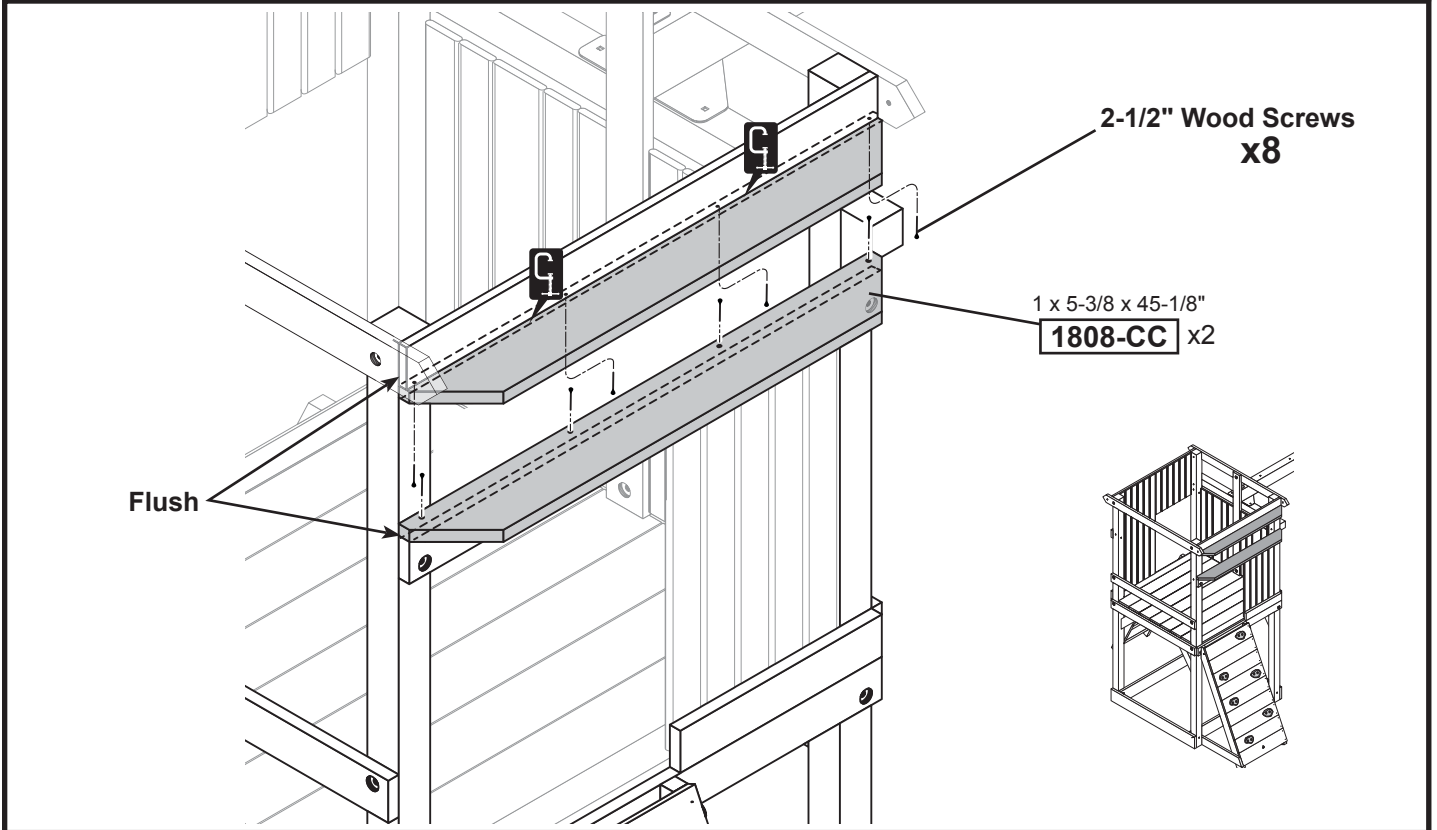
# FORT

# LADDER SIDE BALUSTERS



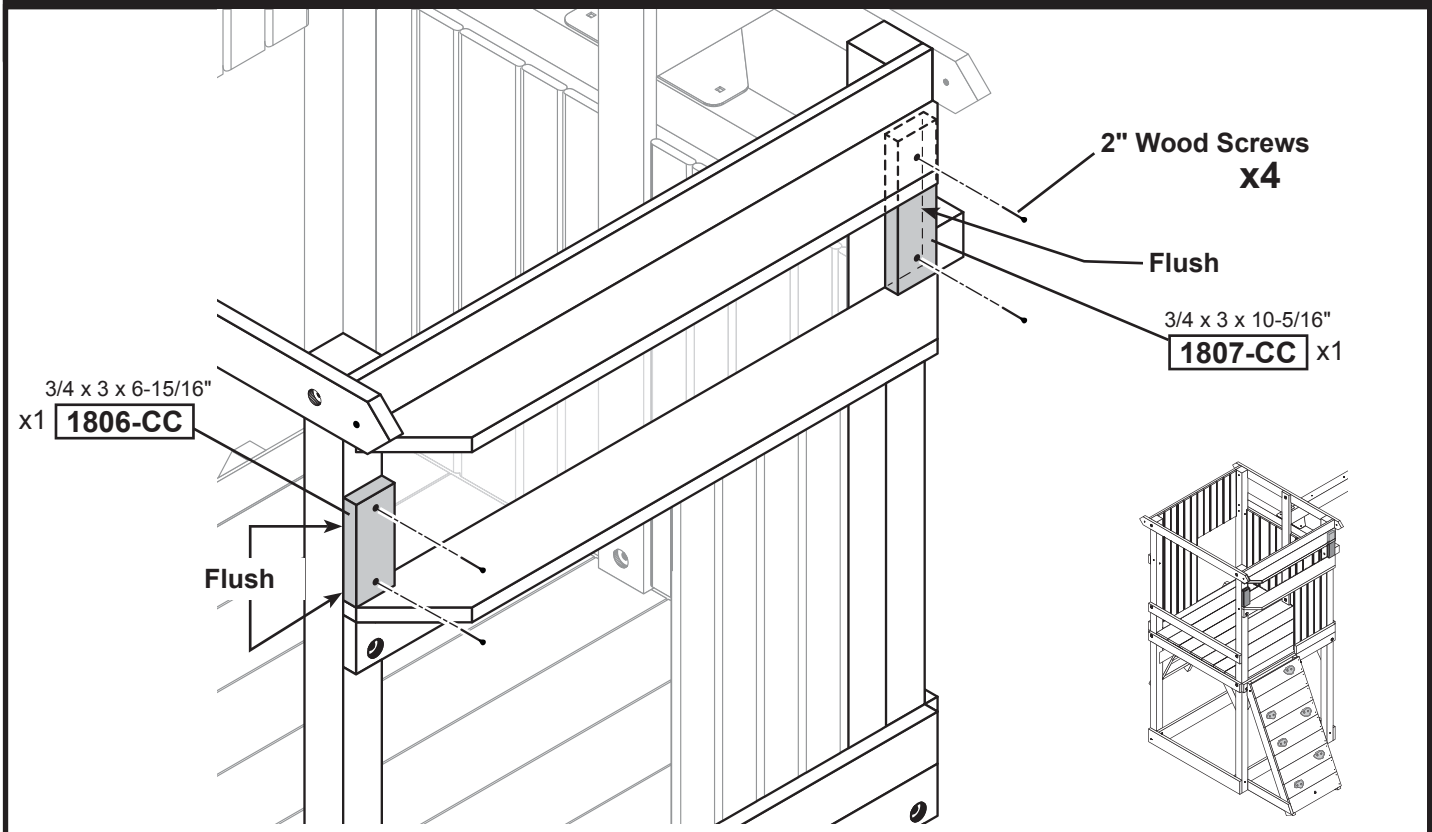
# FORT

# BAY WINDOW



# FORT

# BAY WINDOW







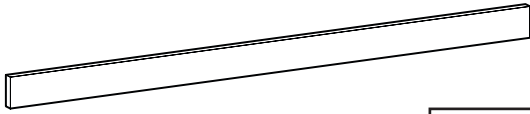
**YOU WILL BUILD YOUR TERRACE AT THIS TIME.**

**GO TO NEXT PAGE.**

# TERRACE PARTS LIST

TERRACE PARTS

3/4 x 2-1/2 x 45-1/8"



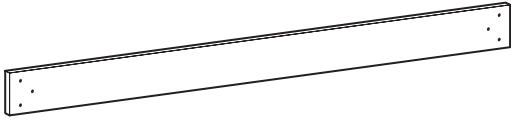
**2516-CC** x1

5/8 x 3-1/4 x 29-3/4"



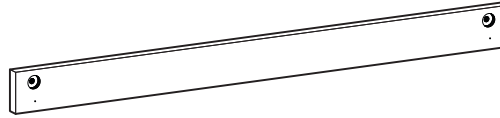
**2523-CC** x10

5/8 x 3-3/8 x 45-1/8"



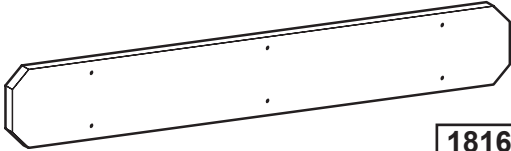
**1817-CC** x3

1 x 3-3/8 x 45-1/8"



**1815-CC** x1

5/8 x 5-3/8 x 38"



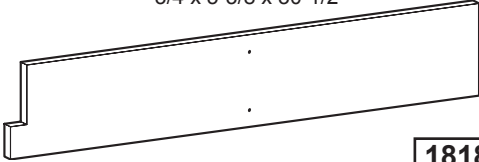
**1816-CC** x1

5/8 x 3-1/4 x 27-1/2"



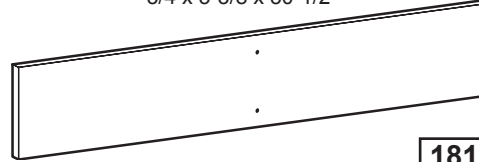
**2873-CC** x10

3/4 x 5-3/8 x 30-1/2"



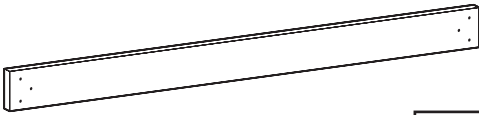
**1818-CC** x2

3/4 x 5-3/8 x 30-1/2"



**1819-CC** x6

3/4 x 3-3/8 x 45-1/2"



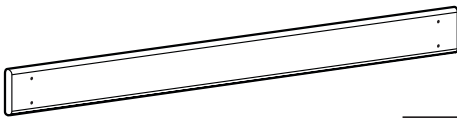
**1820-CC** x2

3/4 x 3-3/8 x 33-1/2"



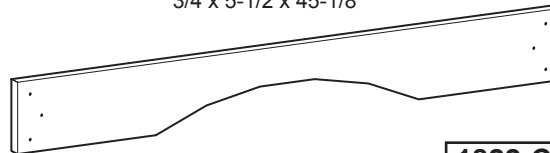
**1821-CC** x5

5/8 x 3-1/4 x 32-3/4"



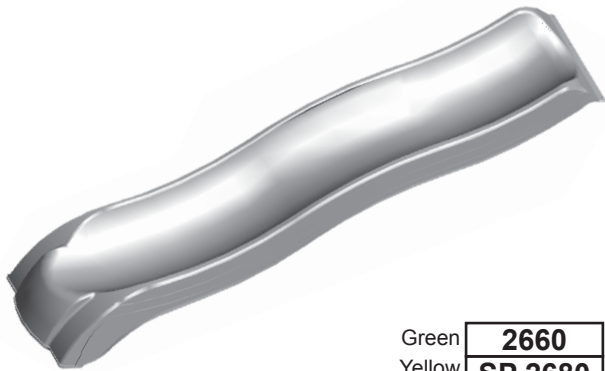
**2879-CC** x2

3/4 x 5-1/2 x 45-1/8"



**1822-CC** x1

SLIDE



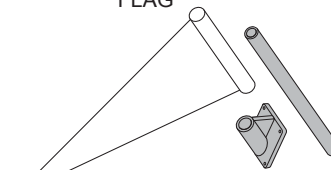
Green **2660** x1  
Yellow **SP 2680** x1

1-3/8 x 3-3/8 x 17"



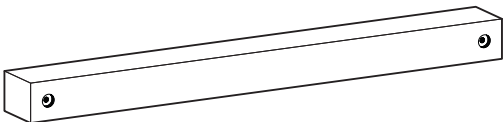
**PF 6295** x1

FLAG



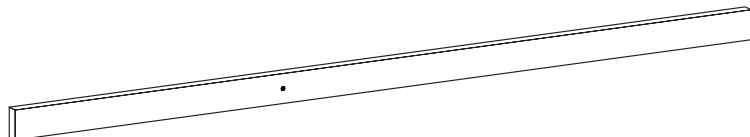
**SA 4211** x2

3 x 3 x 45-1/8"



**1824-CC** x1

1-3/8 x 3-3/8 x 95"

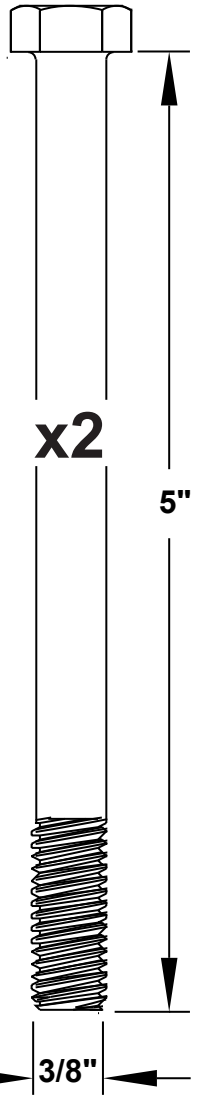


**1823-CC** x2

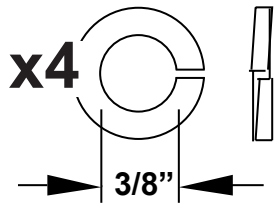
# HARDWARE PARTS LIST

FASTENERS

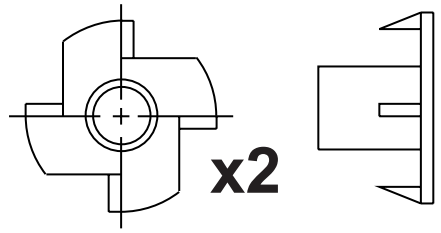
**3/8" HEX BOLT**



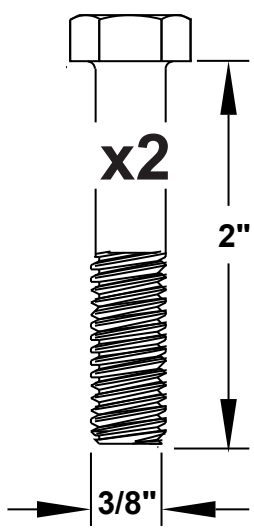
**3/8" LOCK WASHER**



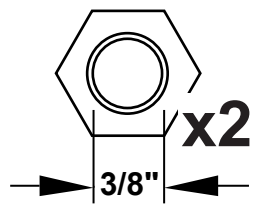
**3/8" T - NUT**



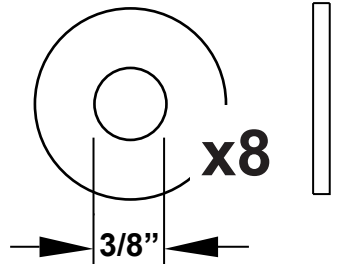
**3/8" HEX BOLT**



**3/8" LOCK NUT**

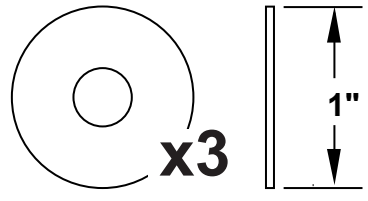


**3/8" FLAT WASHER**

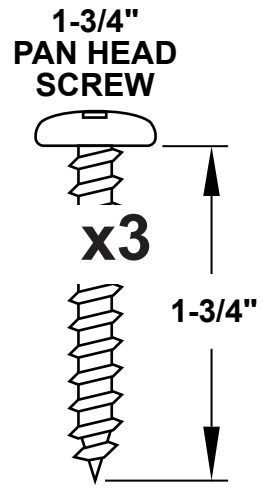
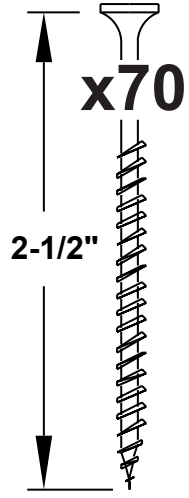
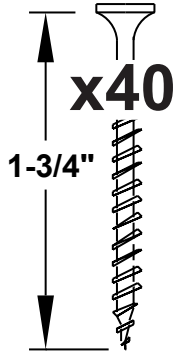
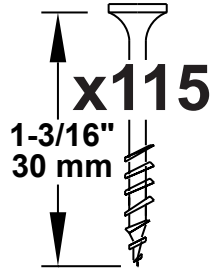


A C T U A L  
S I Z E

**1/4" x 1" FENDER WASHER**



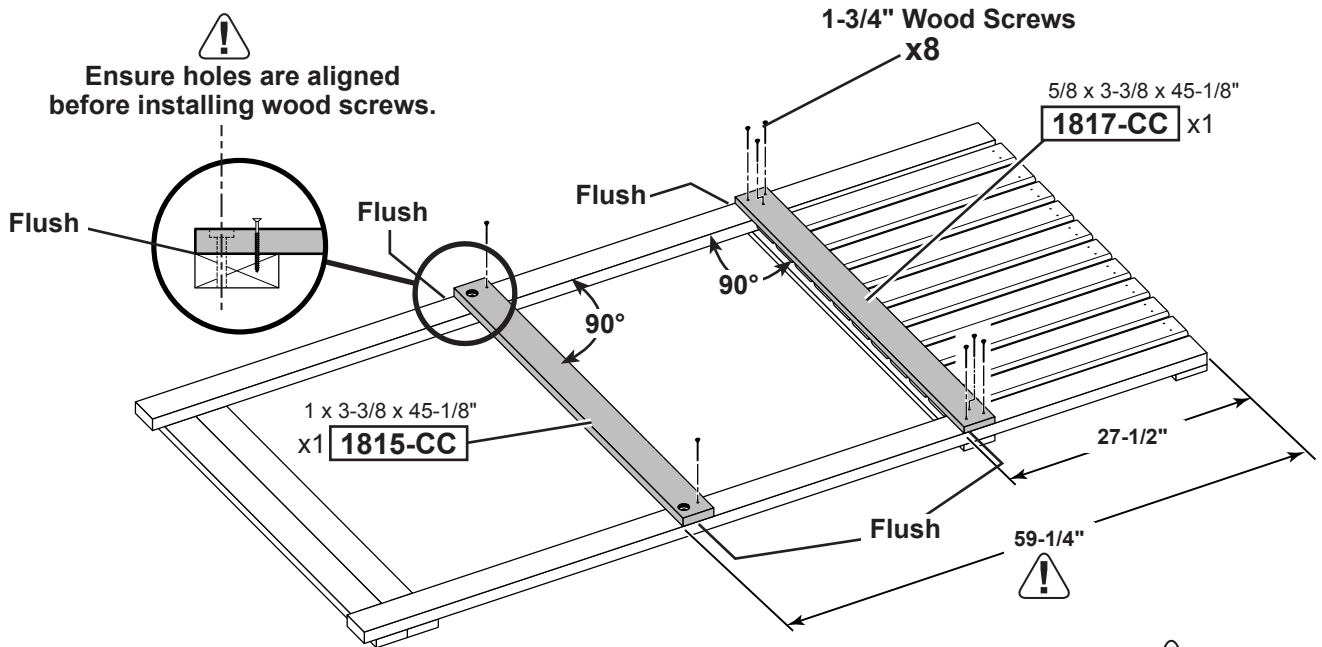
## WOOD SCREWS





# SIDE RAILS

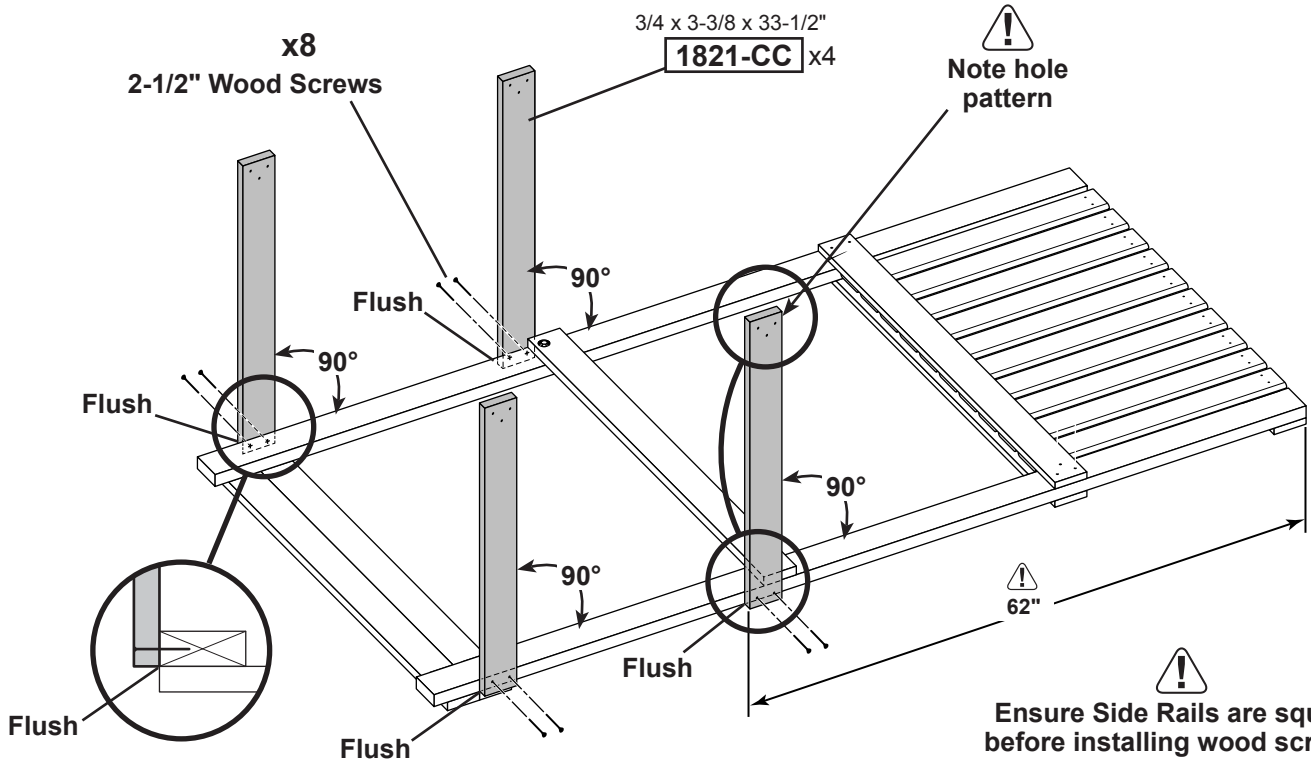
# INSTALL



Ensure Side Rails are square before installing fasteners.

# SIDE RAILS

# INSTALL



Ensure Side Rails are square before installing wood screws.

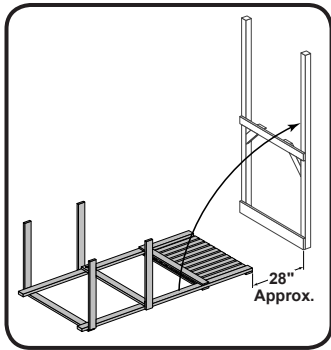
# TERRACE

# ASSEMBLE

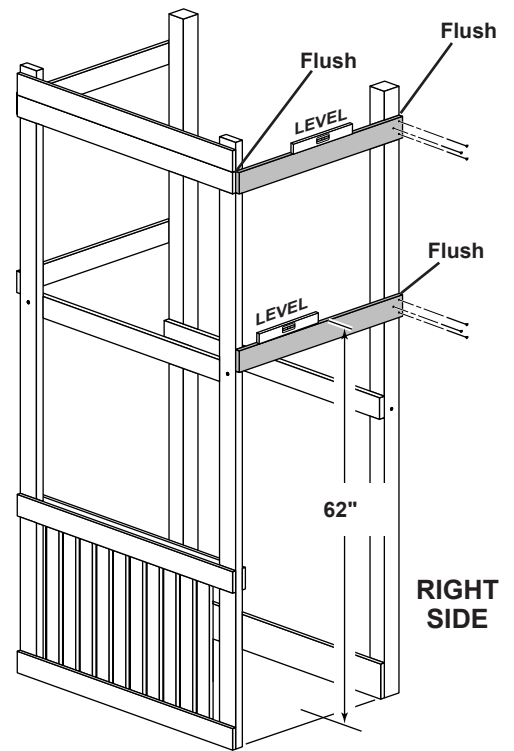
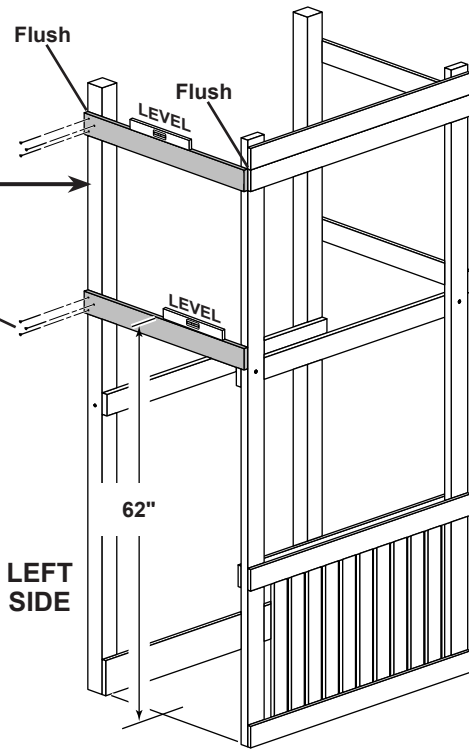
 Ensure side rails are level before installing wood screws.

Attach Terrace to playset tower frame.

2-1/2" Wood Screws x12

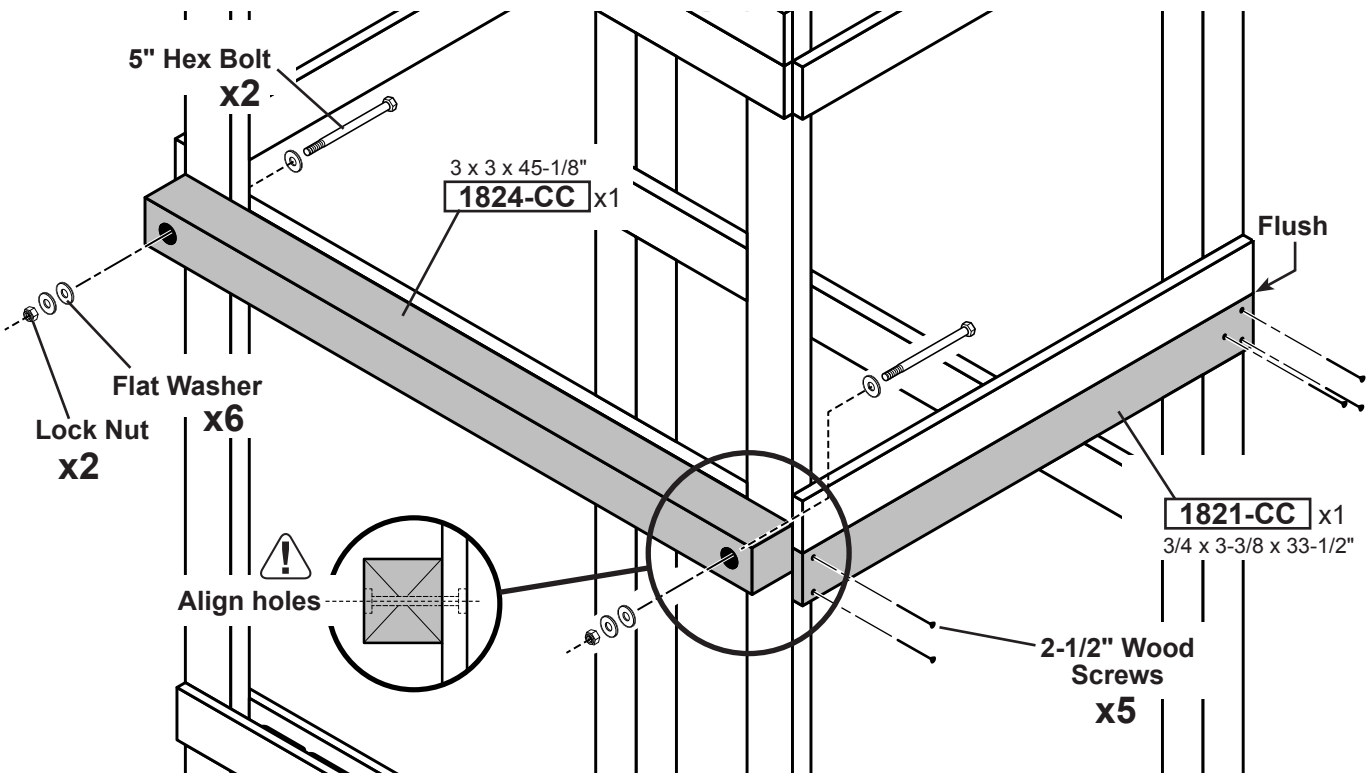


TILT FRAME UP TO INSTALL TERRACE



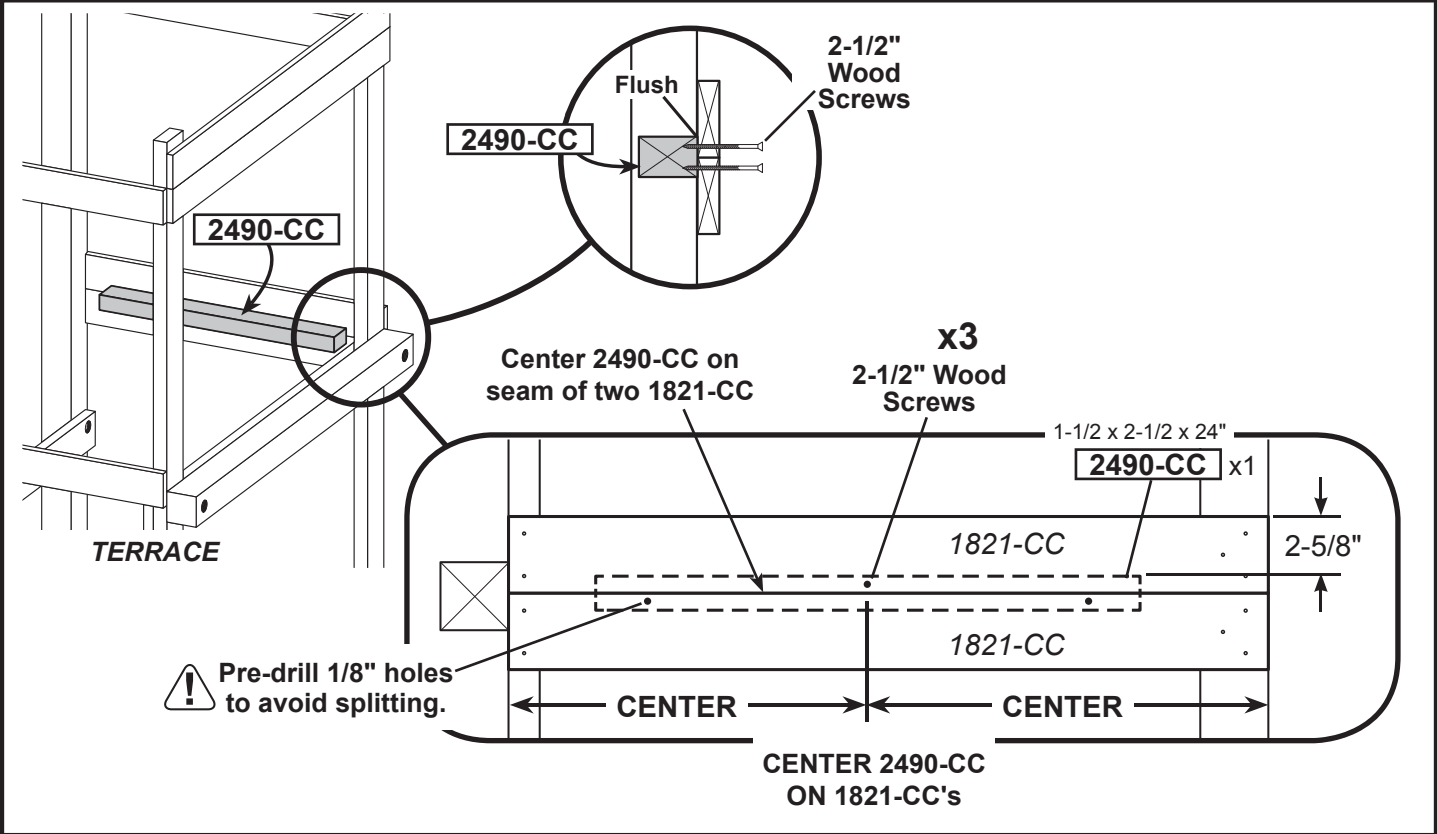
# TERRACE

# SLIDE SUPPORT



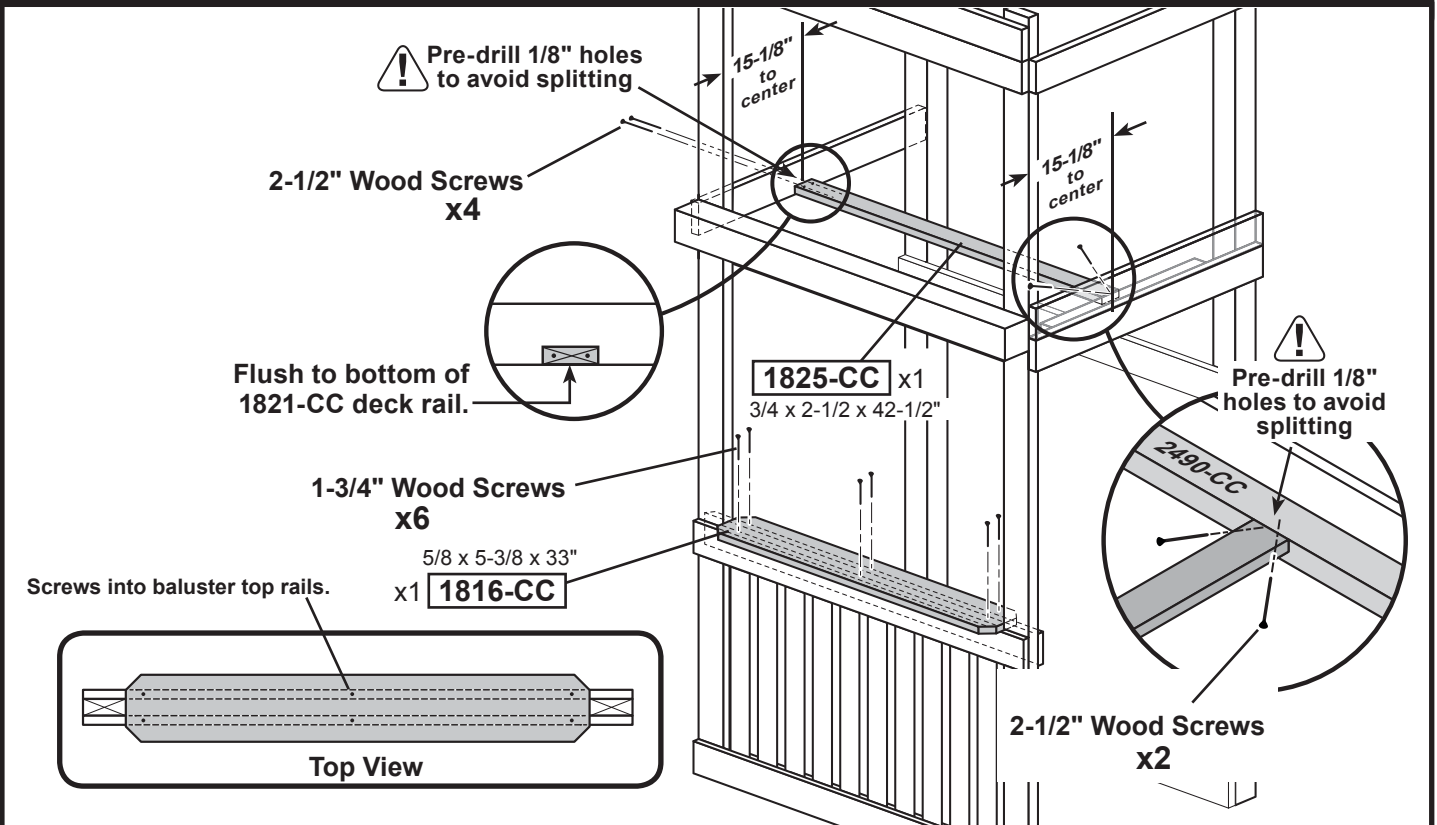
# TERRACE

# DECK SUPPORT



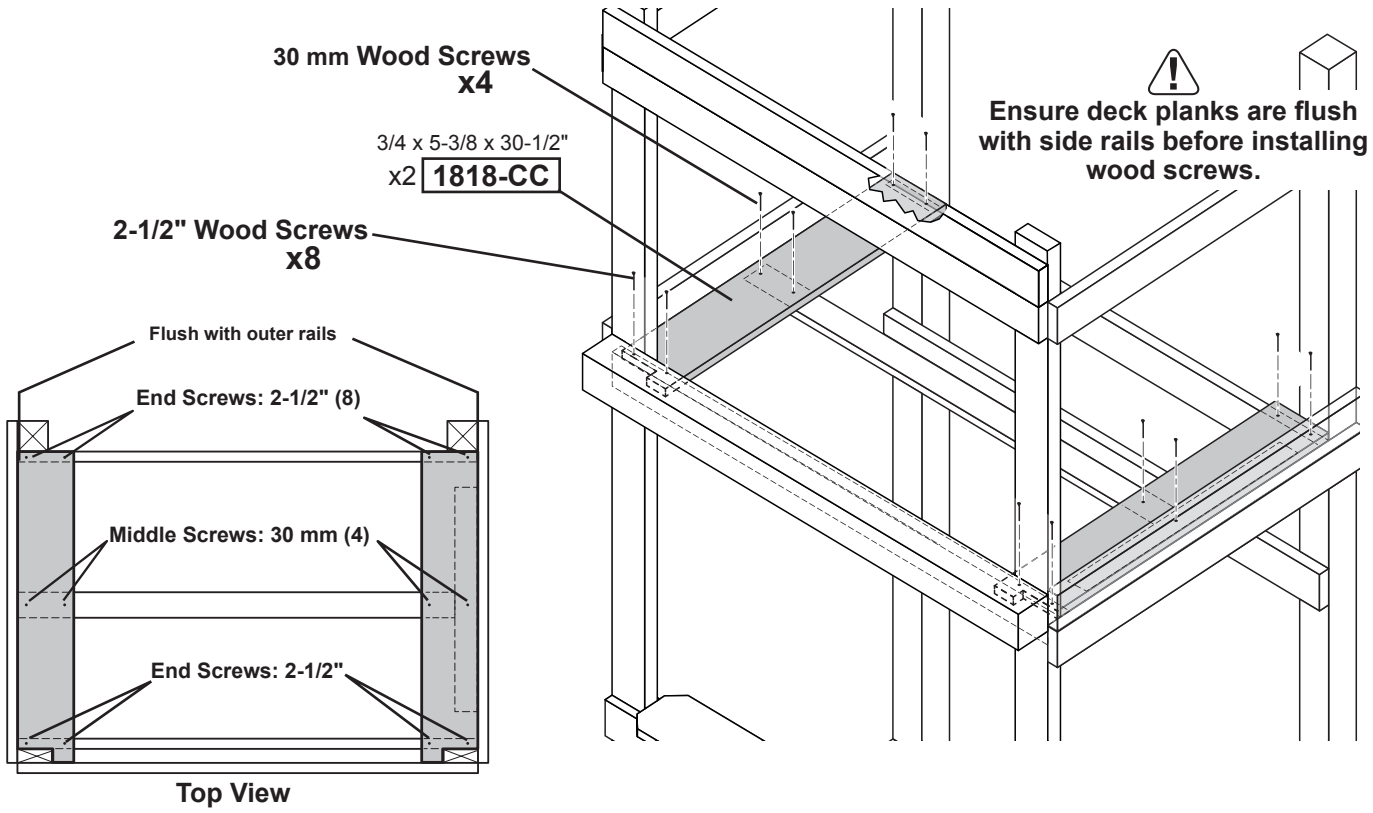
# TERRACE

# DECK SUPPORT & BAR TOP



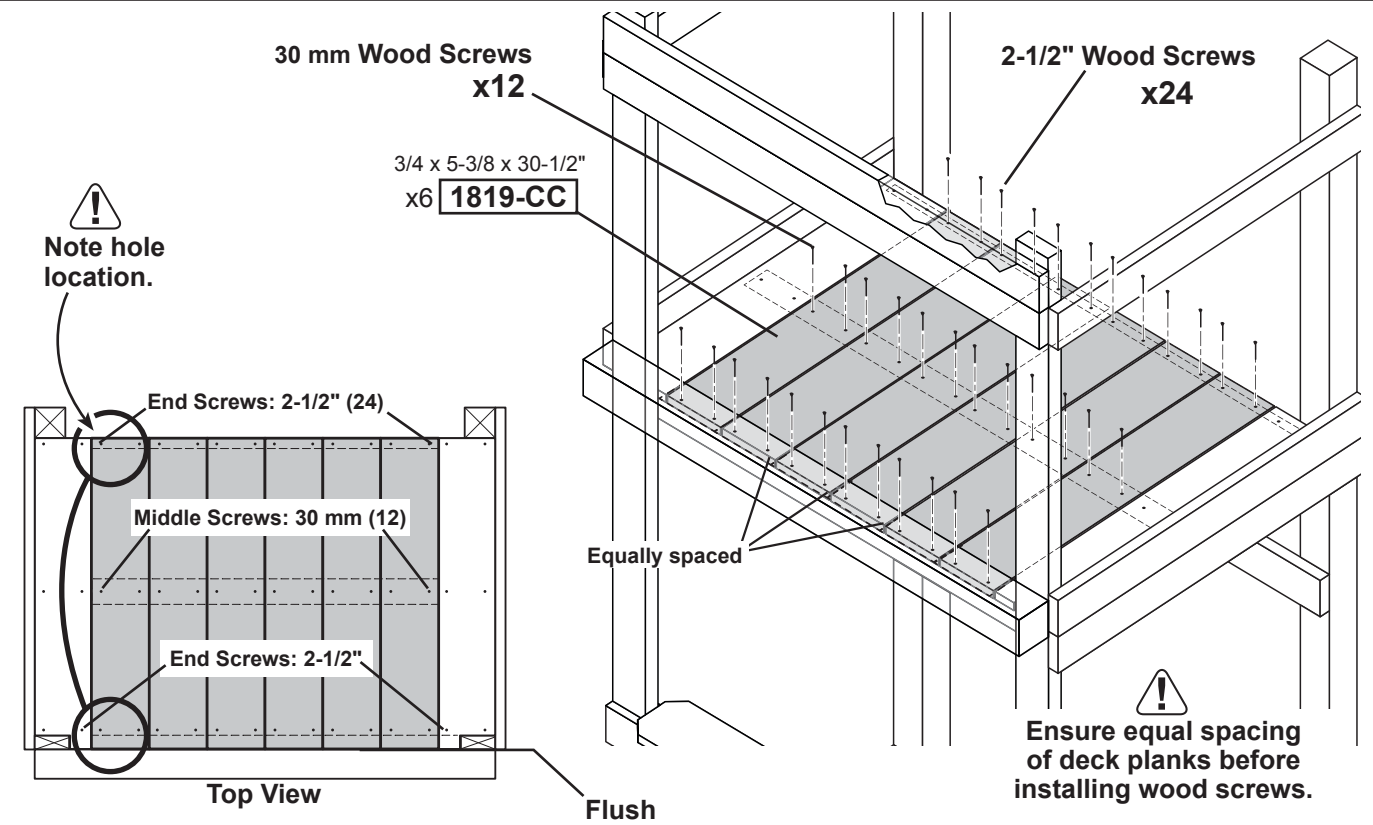
# TERRACE

# DECK PLANKS



# TERRACE

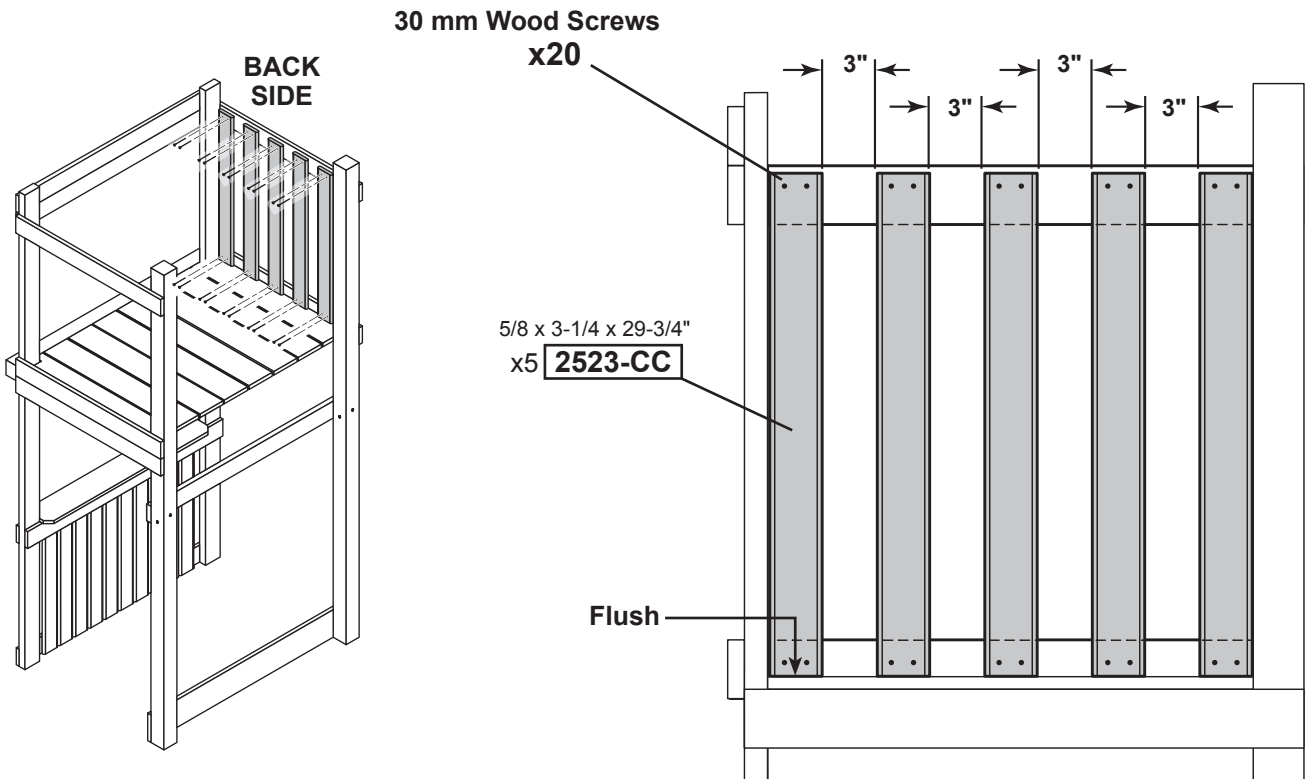
# DECK PLANKS





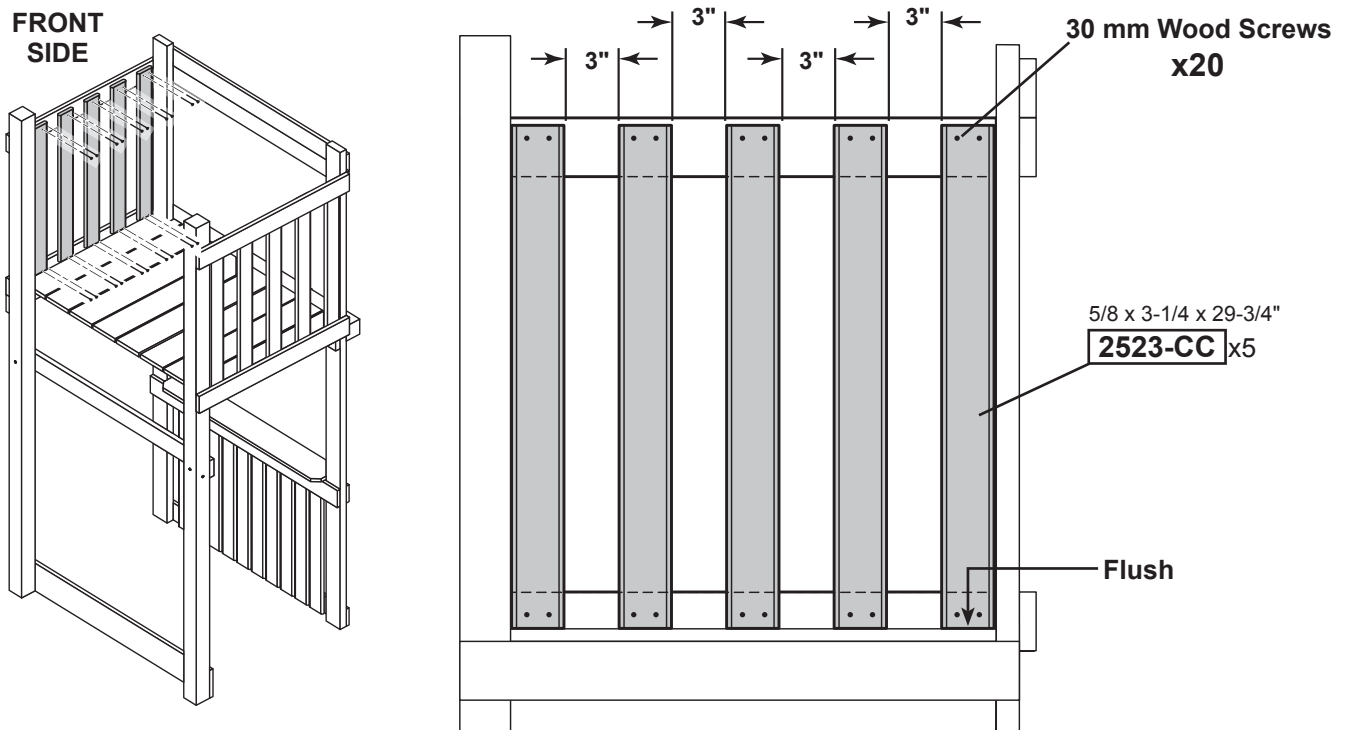
# TERRACE

# BALUSTERS



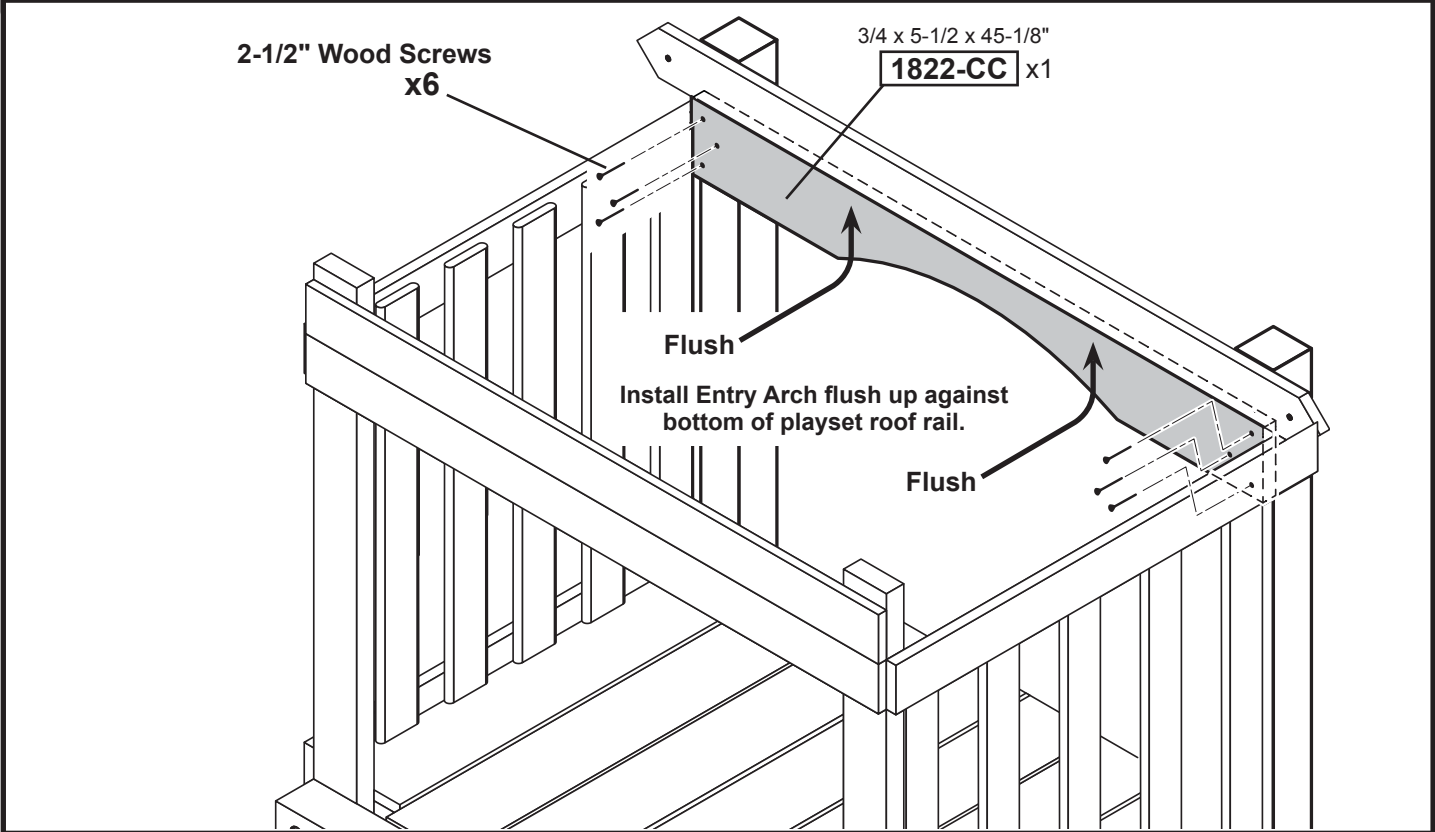
# TERRACE

# BALUSTERS



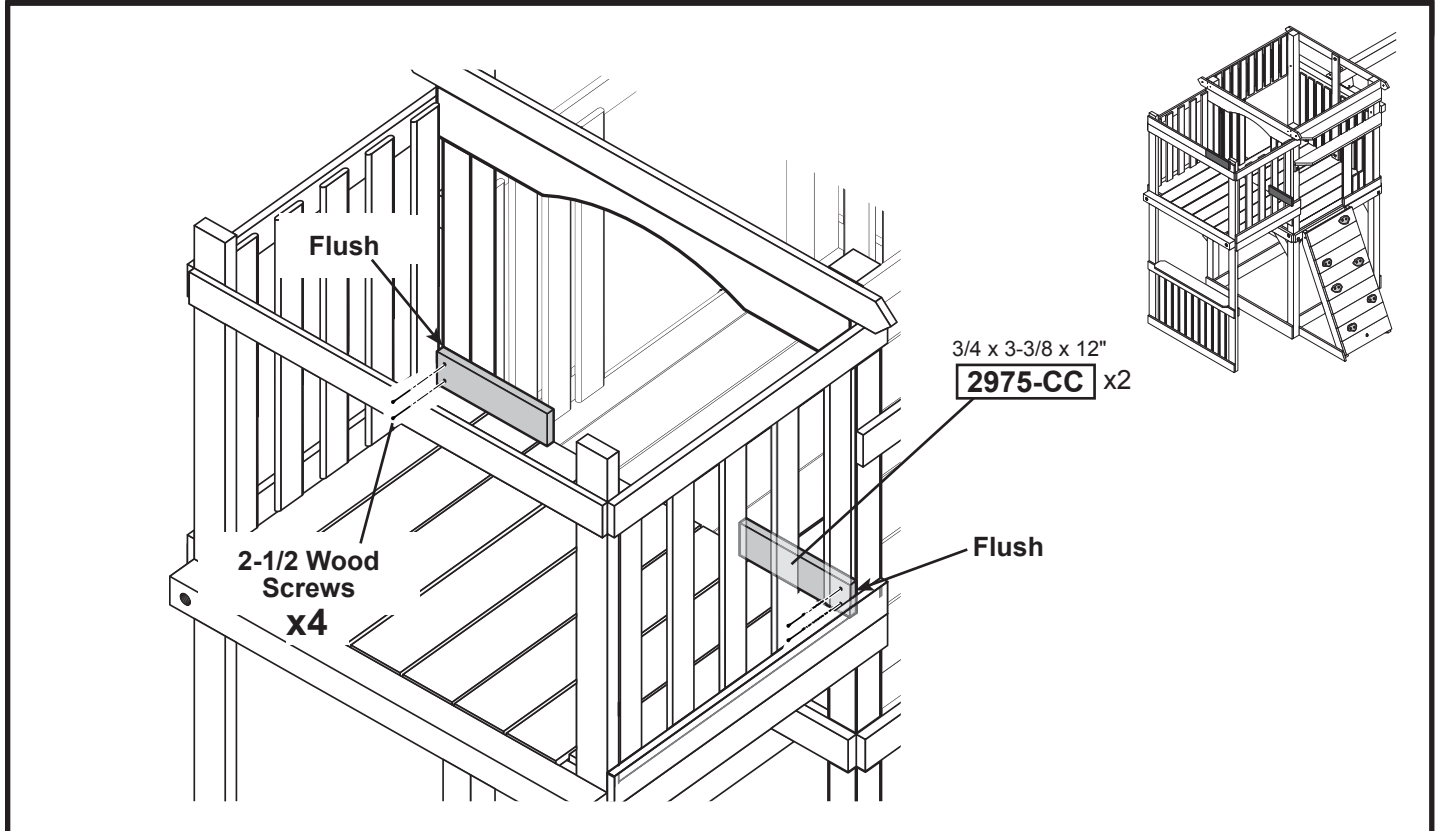
# TERRACE

# ENTRY ARCH



# FORT

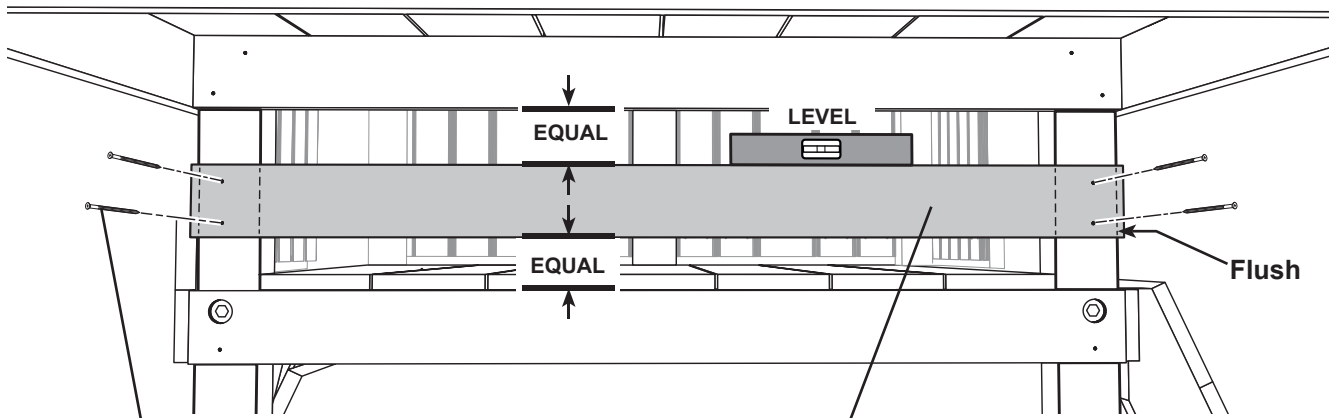
# BALUSTER SUPPORTS



# FORT

# SAFETY BARRIER

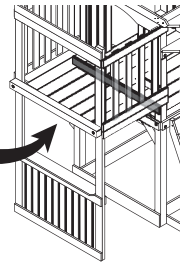
VIEW FROM UNDER TERRACE



2-1/2" Wood Screws  
x4

**2973-CC** x1  
3/4 x 3-3/8 x 45-1/8"

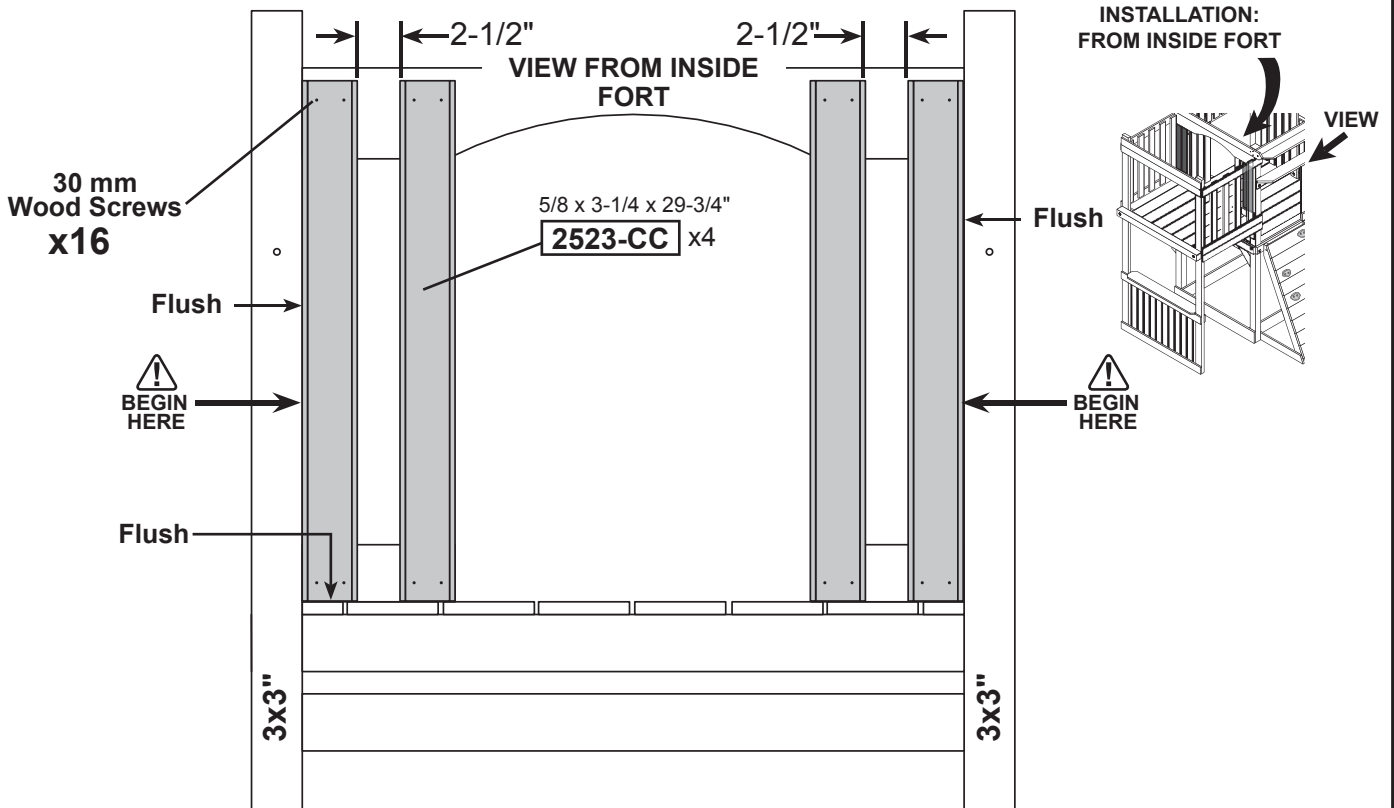
INSTALLATION:  
UNDER TERRACE



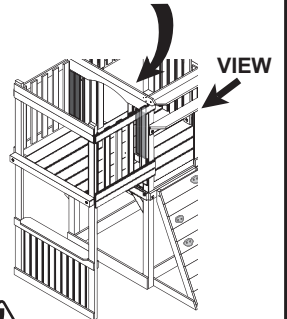
# FORT

# BALUSTERS

VIEW FROM INSIDE FORT

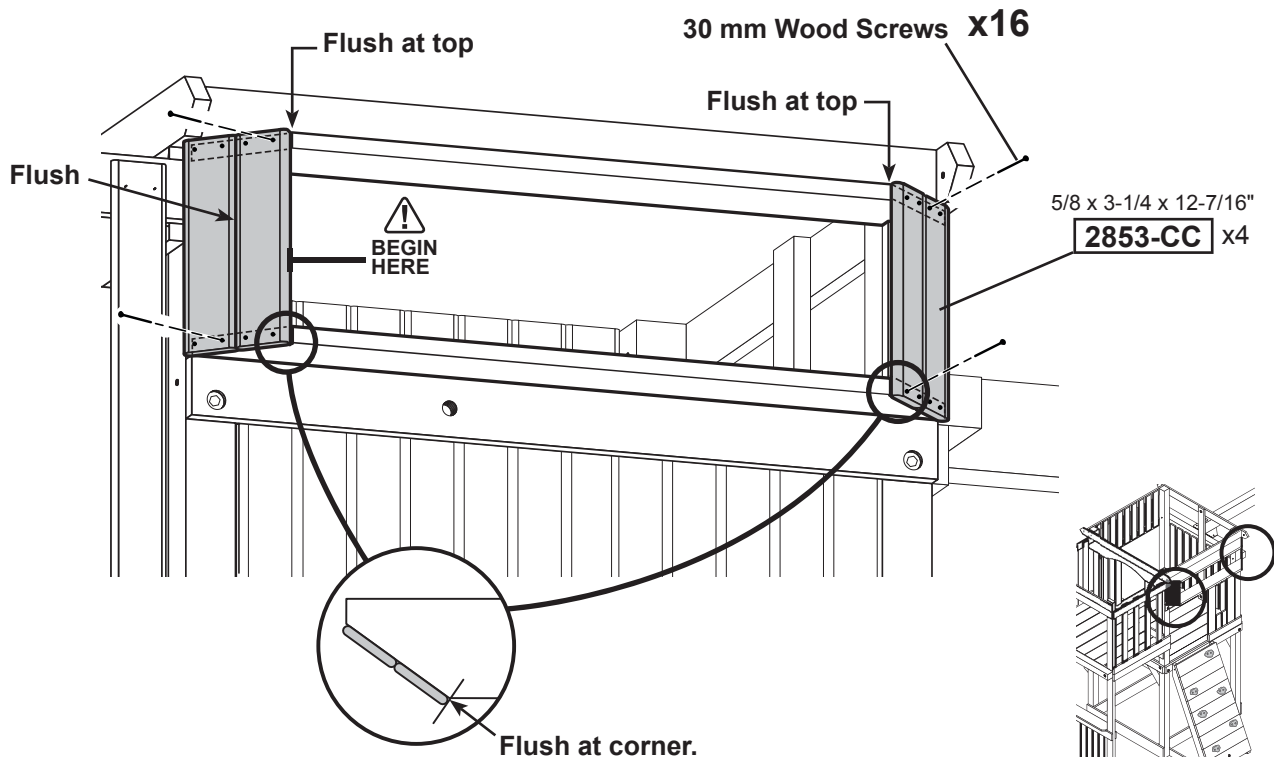


INSTALLATION:  
FROM INSIDE FORT



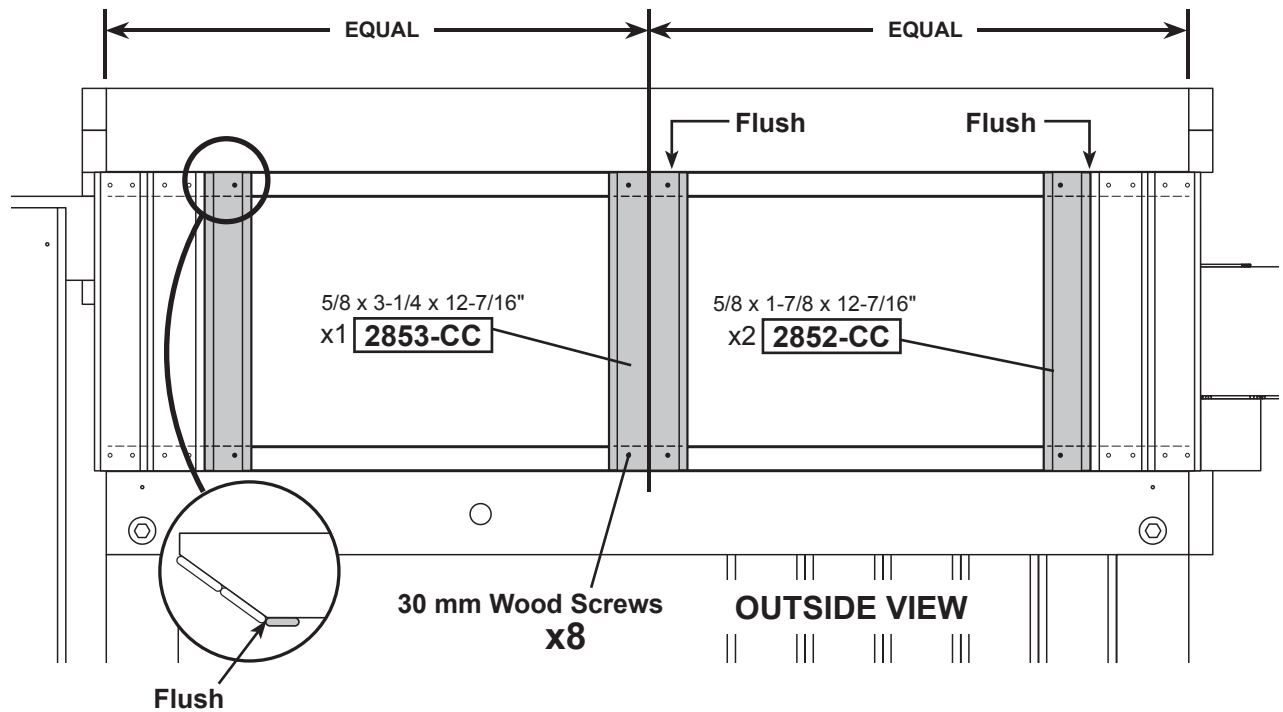
**FORT**

**BAY WINDOW**



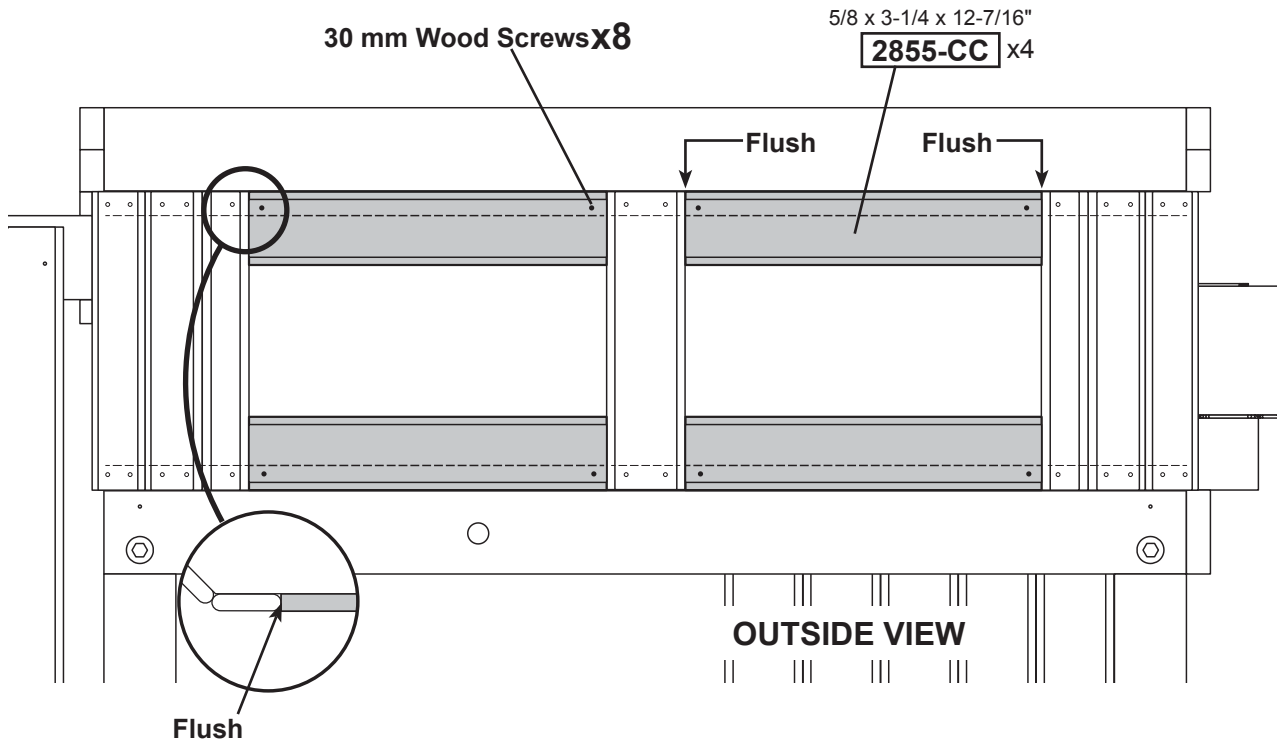
**FORT**

**BAY WINDOW**



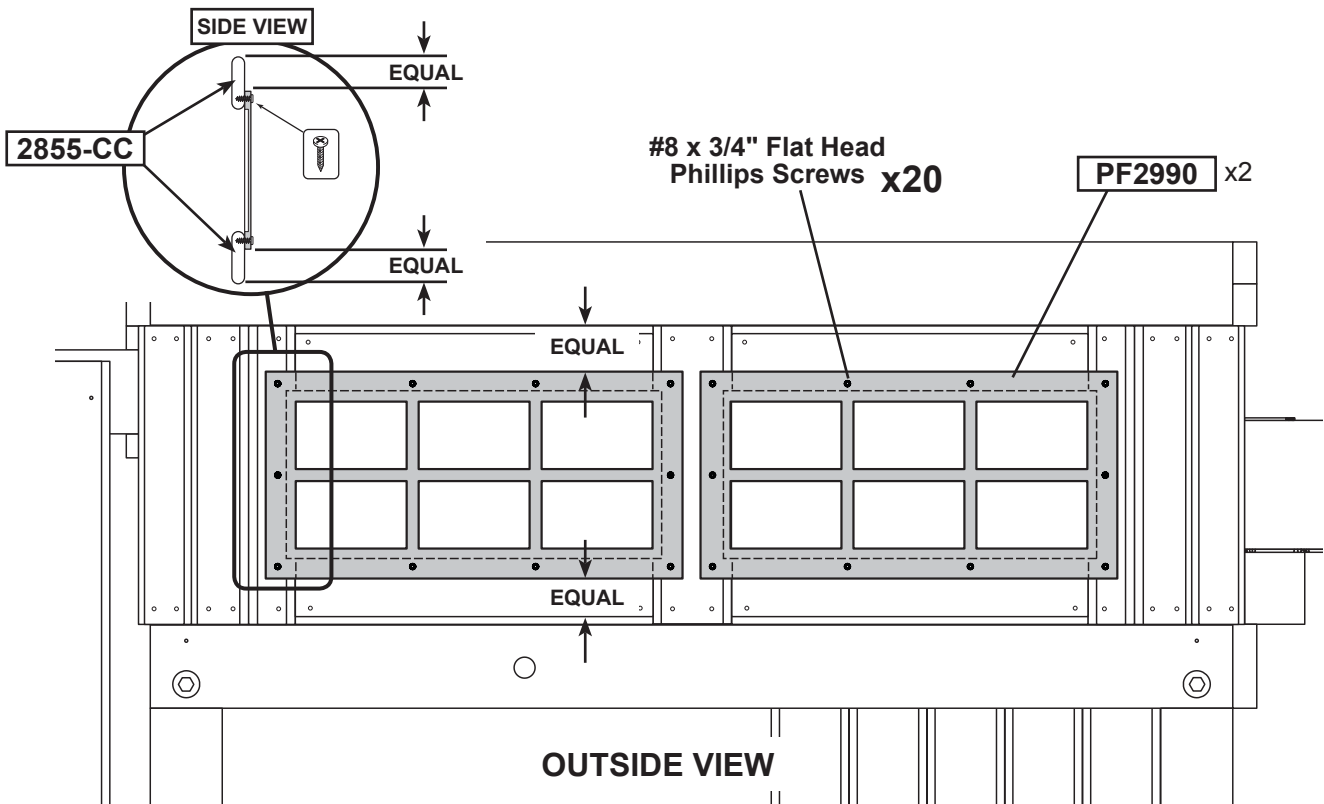
**FORT**

**BAY WINDOW**



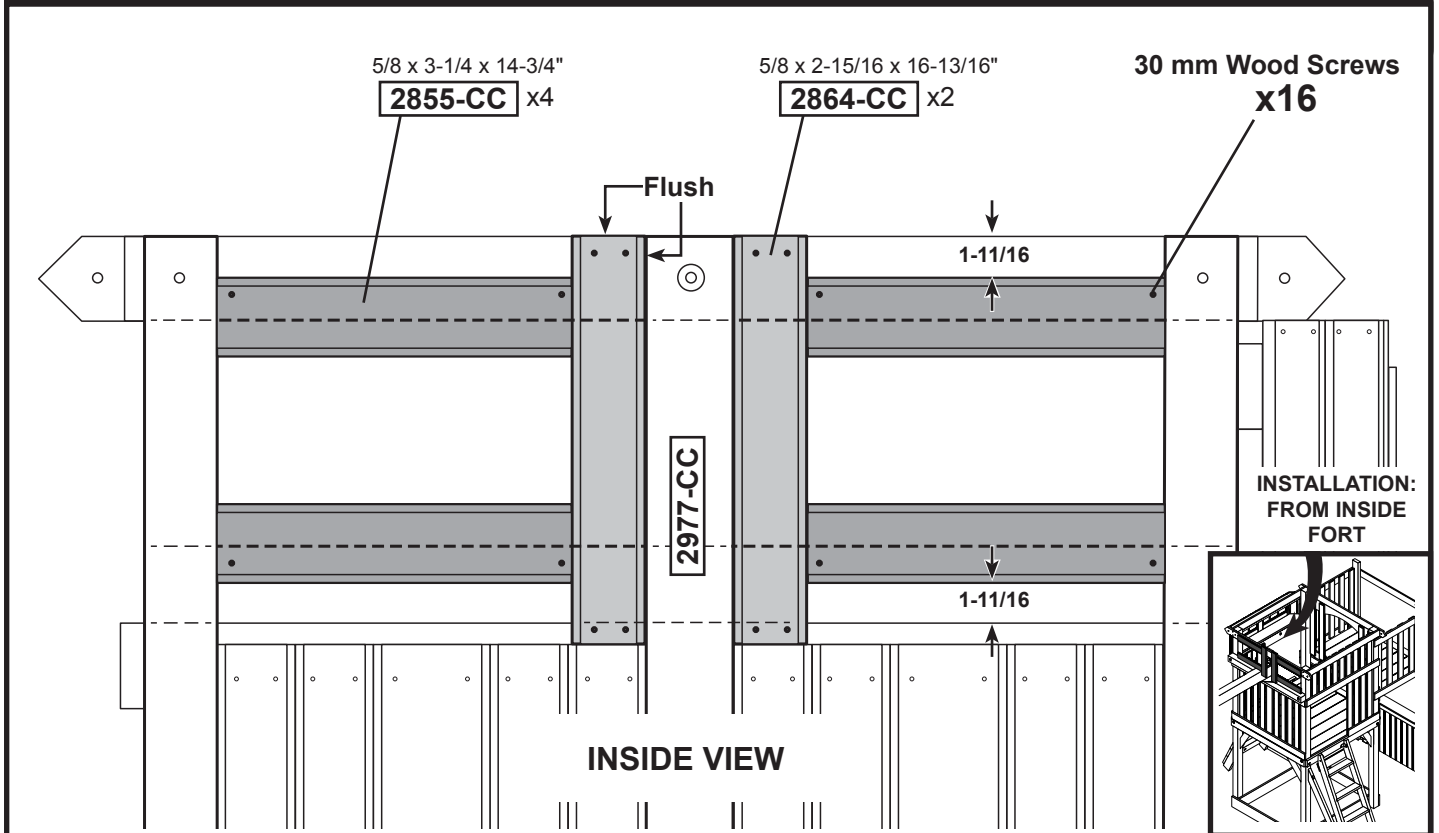
**FORT**

**BAY WINDOW**



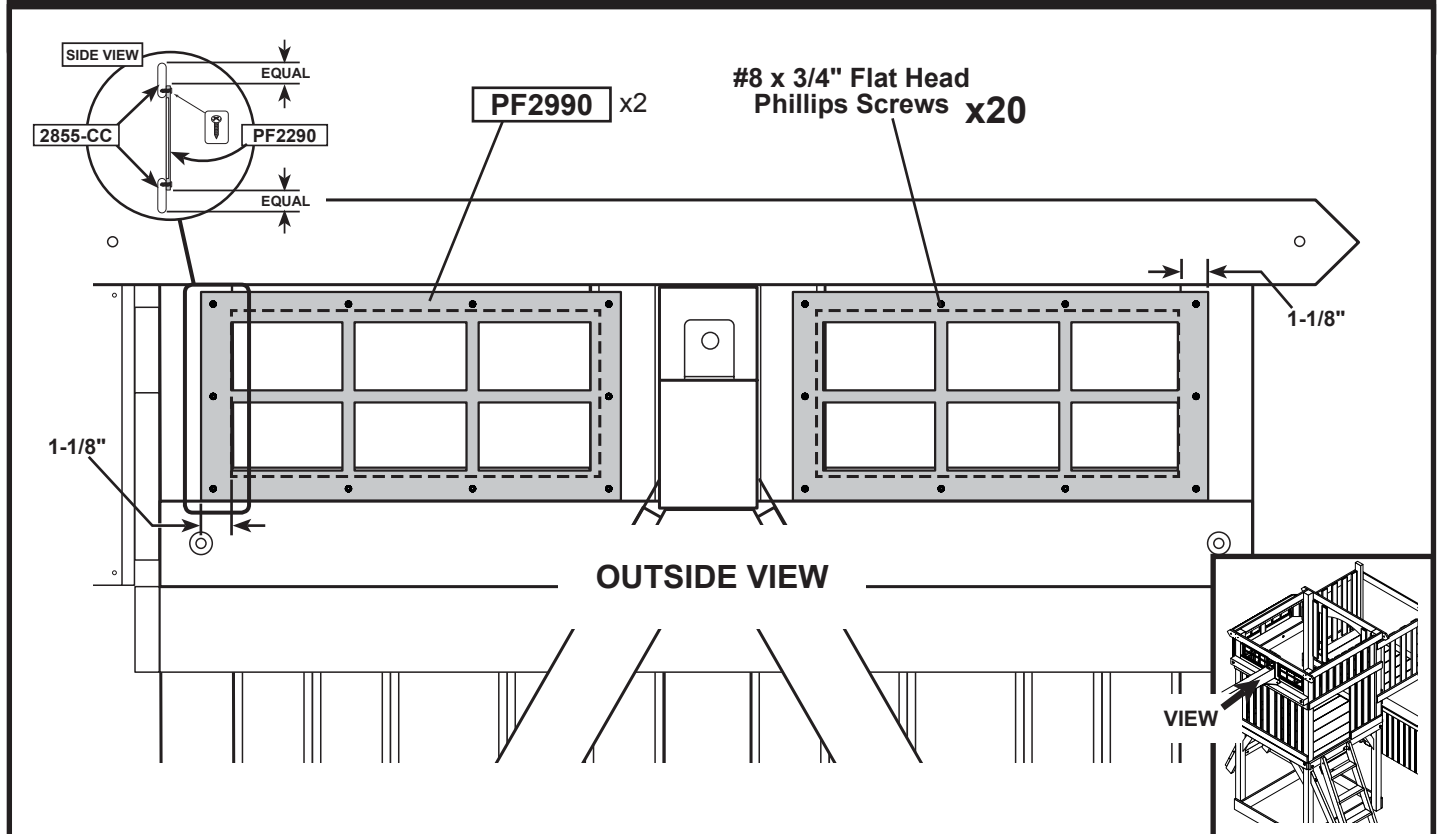
# FORT

# SWING BEAM SIDE WINDOWS



# FORT

# SWING BEAM SIDE WINDOWS

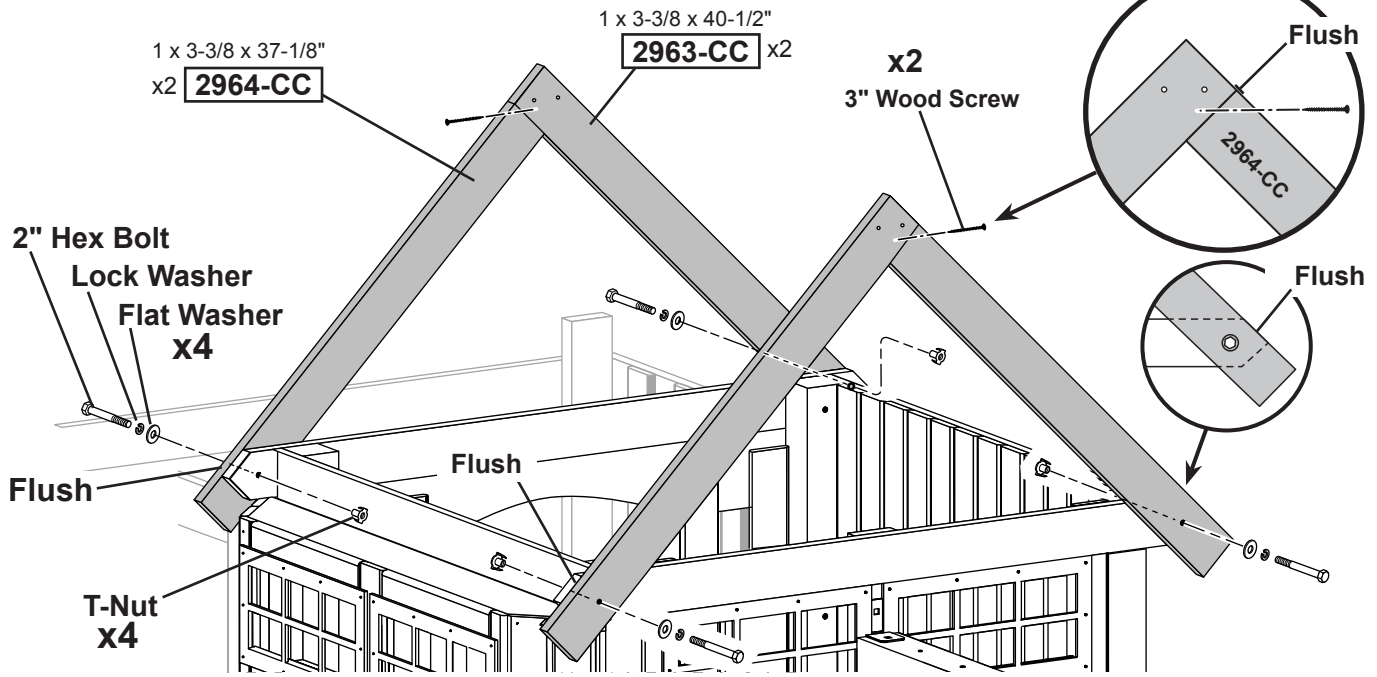


# ROOF

# FRAME

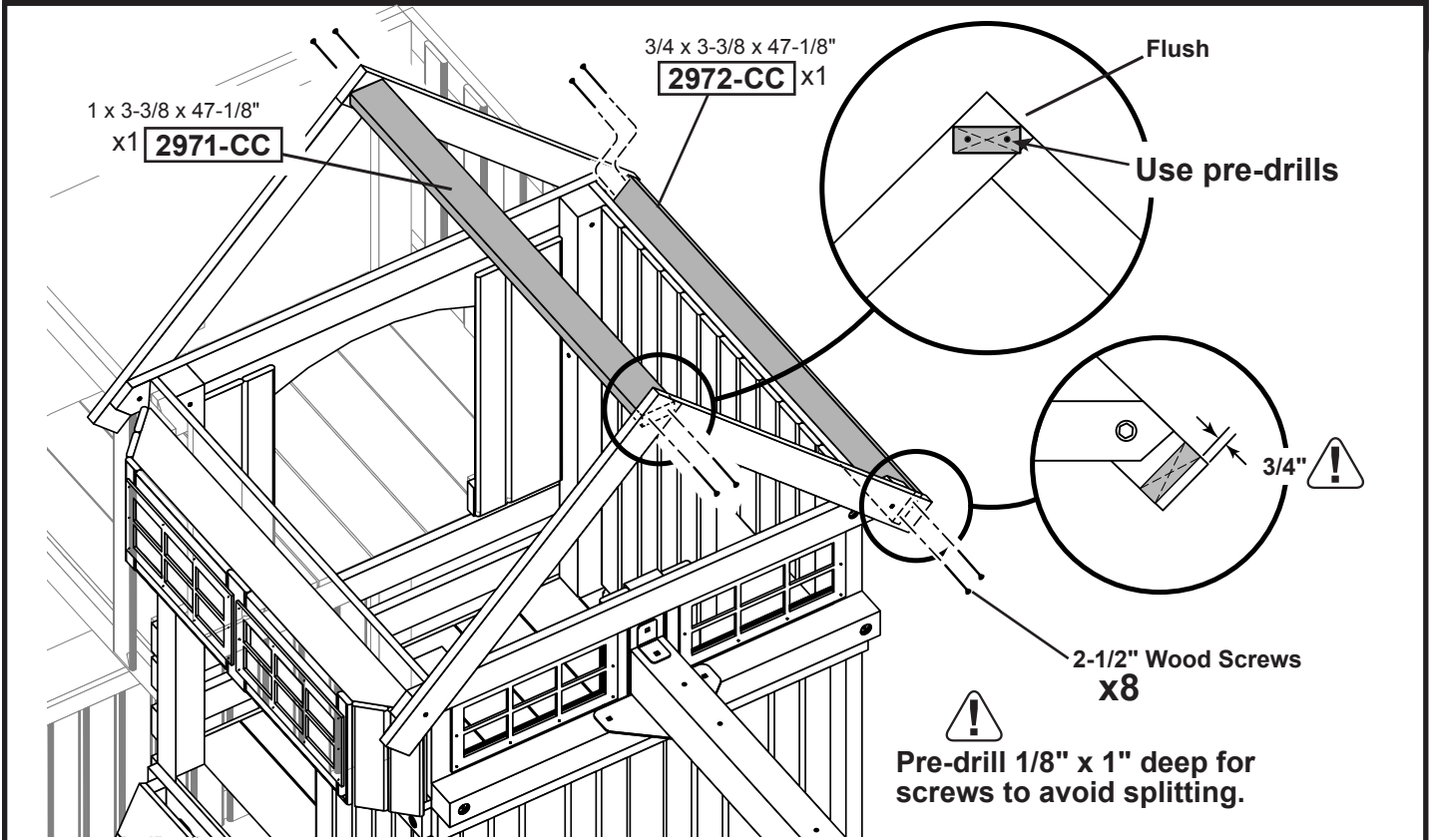


Orient 2963-CC so that pre-drilled holes at the top are horizontal.  
If the holes are not, rotate the board.  
Secure 2964-CC and 2963-CC using 3" screws.



# ROOF

# FRAME





**REFER TO THE WOOD ROOF MANUAL AT THIS TIME.**

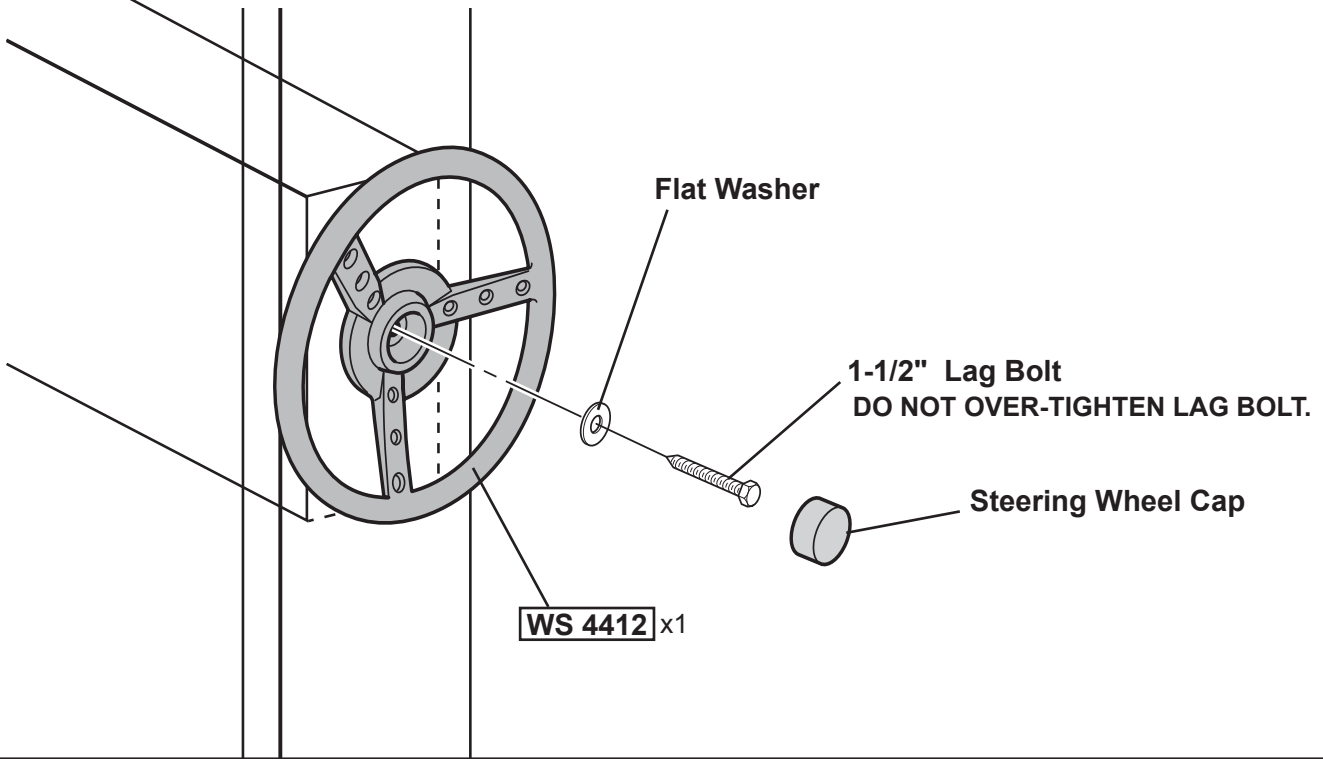




# STEERING WHEEL

# INSTALL

Install WS 4412 inside fort.

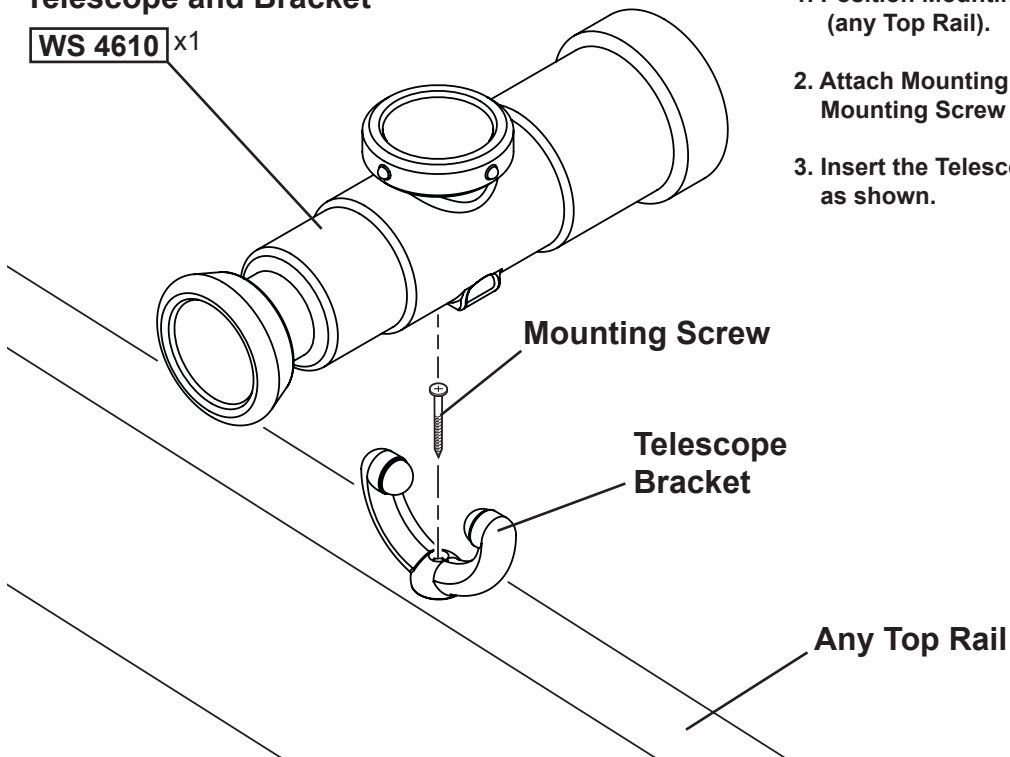


# TELESCOPE

# INSTALL

Telescope and Bracket

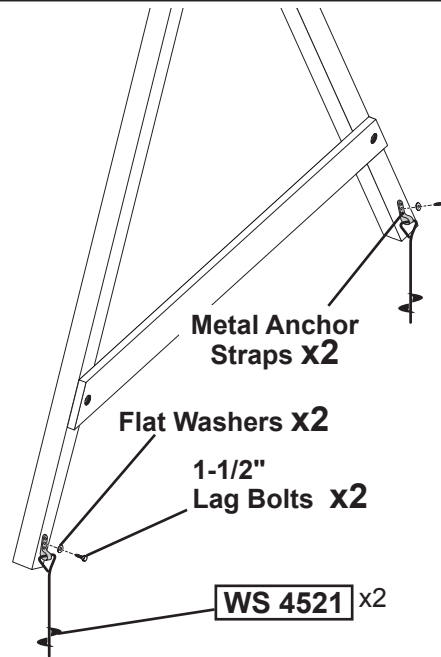
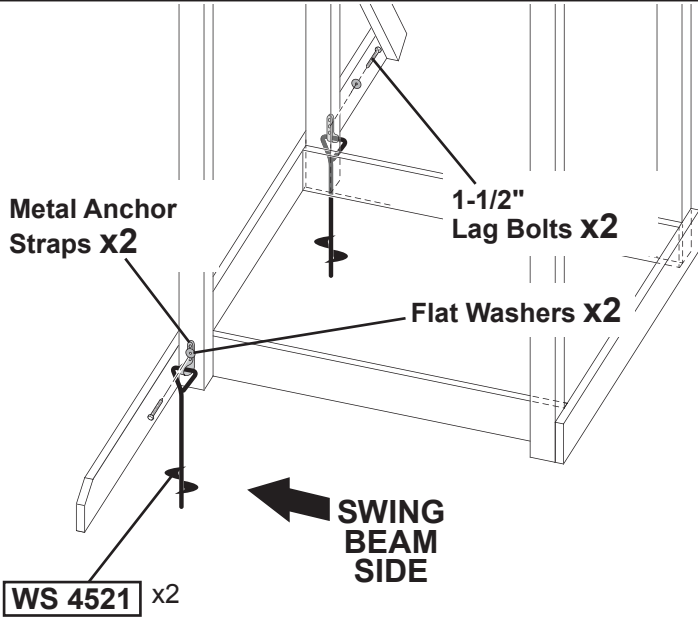
WS 4610 x1



1. Position Mounting Bracket in desired location (any Top Rail).
2. Attach Mounting Bracket to Top Rail using the Mounting Screw provided.
3. Insert the Telescope into the Mounting Bracket as shown.

# FORT

# STAKES

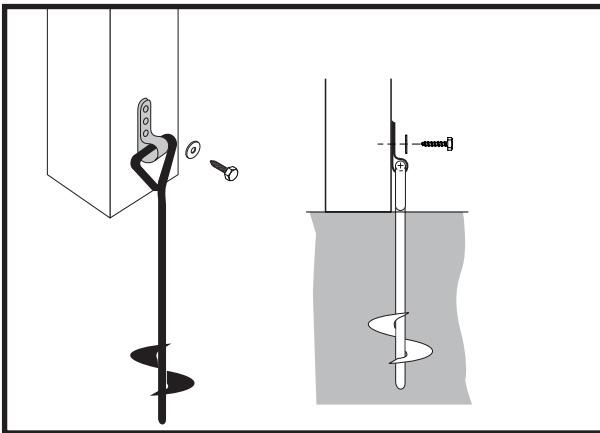


Install stakes into 3 x 3" uprights.  
Locate stakes as shown.

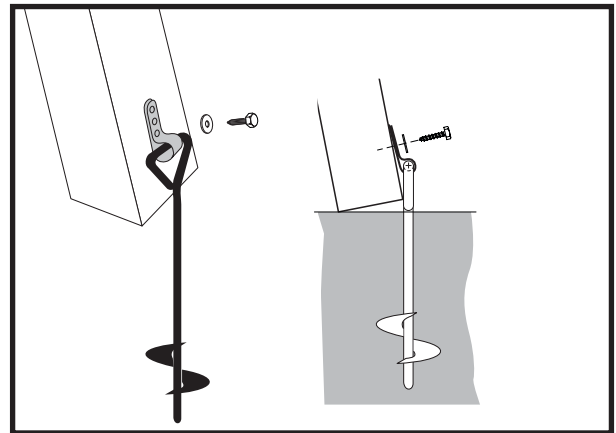
Make sure all base pieces and uprights are resting flat on the ground.

It may be necessary to loosen the soil beneath Playset to make everything level.

## TOWER UPRIGHT

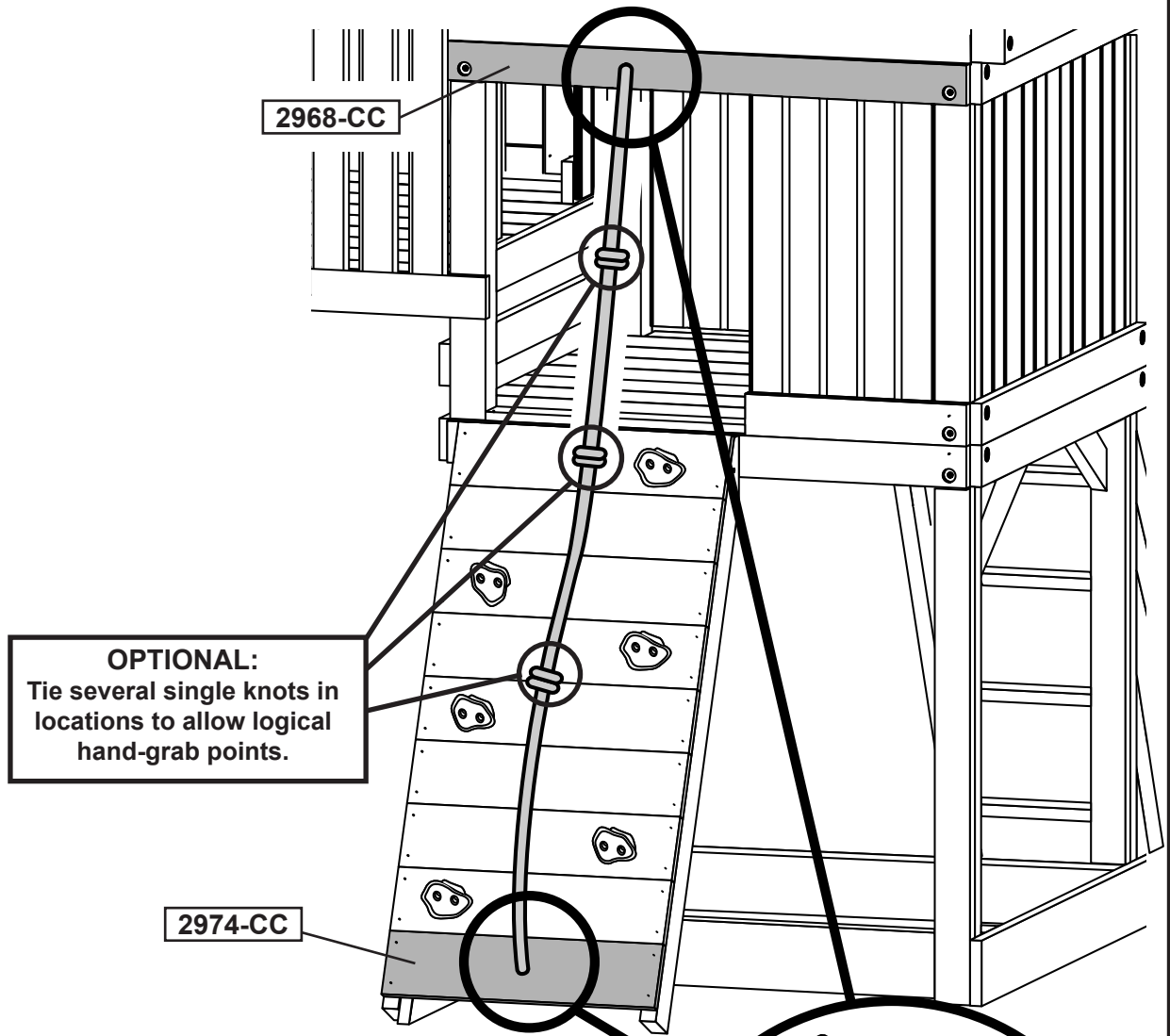


## A FRAME



### Instructions for anchoring your playset product to the ground.

1. Determine the final location of your playset product.
2. Place the Anchor Stakes adjacent to the base and near the corners of your playset product (at the bottom of the legs on swing sets) and twist the auger-style Anchor Stakes into the ground until only the loop is exposed.
3. Place the metal strap through the loop of the Anchor Stake and secure it to the unit with a lag screw and washer as shown.  
Note: Attach the strap to the unit with as little play as possible using whatever holes in the strap work the best.



**Step 1**

Feed top of Climbing Rope through front of Upper Rail (2968-CC) and tie a double knot on the back side (Fig. 1).

**Step 2**

Feed lower end of Climbing Rope through hole in Rock Wall board (2974-CC) and tie a double knot on the back side (Fig. 1).

***For Safety, insure that the rope is tight enough so that it can not be looped back on itself.***

Keep tying double knots at the bottom end of rope until there is no remaining loose rope.

**Do not cut ends of rope.**

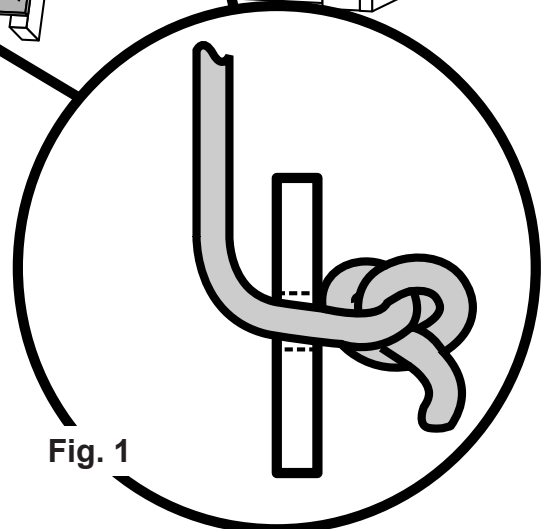
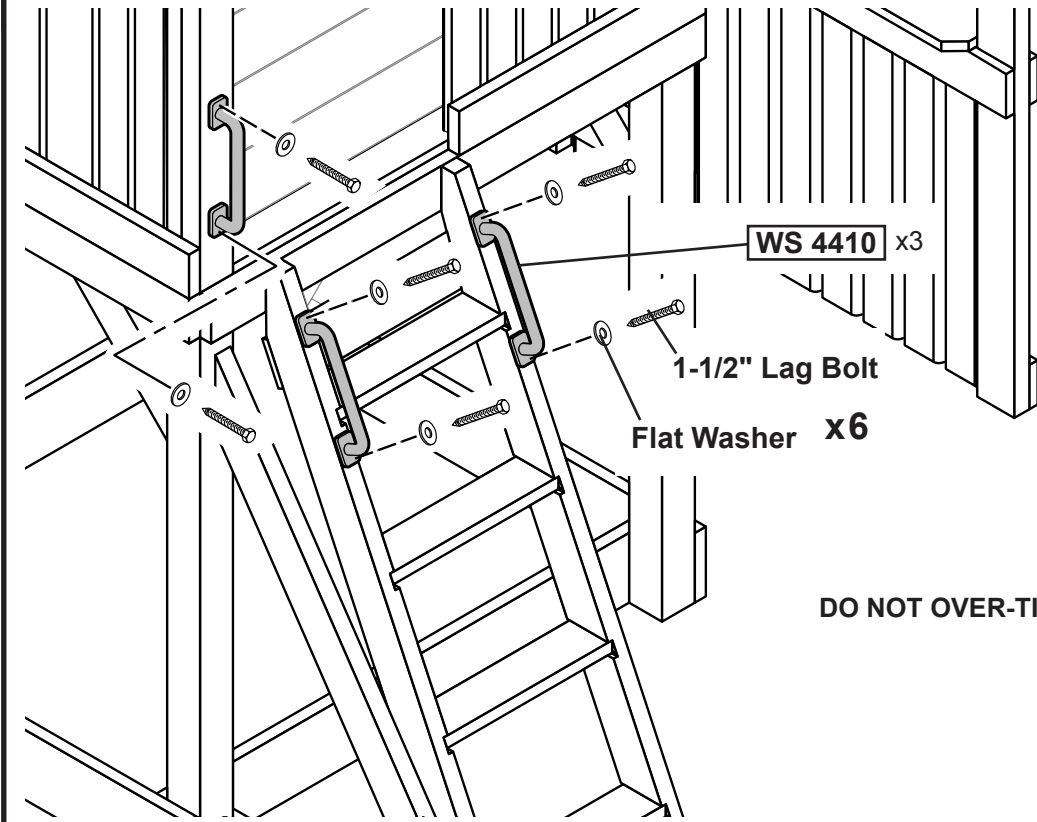


Fig. 1

**ACCESSORIES**

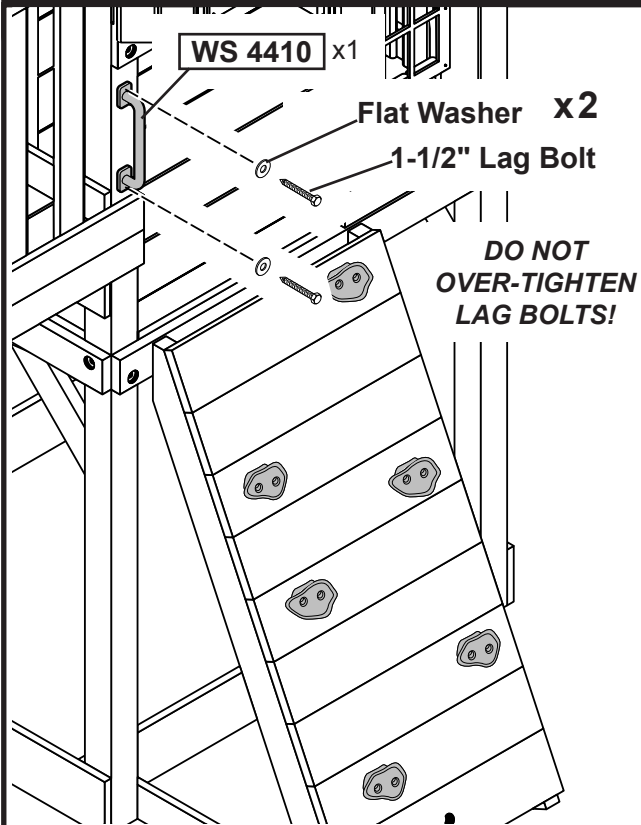
**SAFETY HANDLES - STEP LADDER**



**DO NOT OVER-TIGHTEN LAG BOLTS.**

**ACCESSORIES**

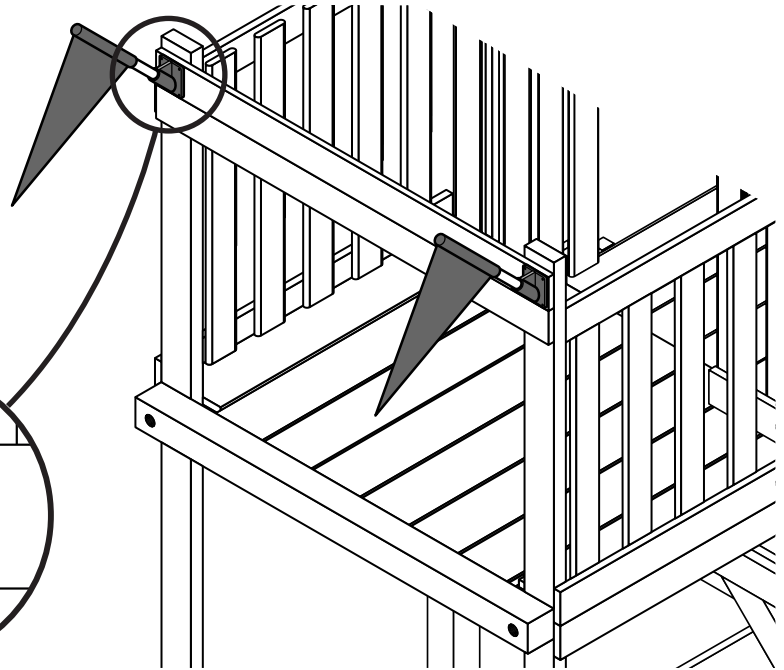
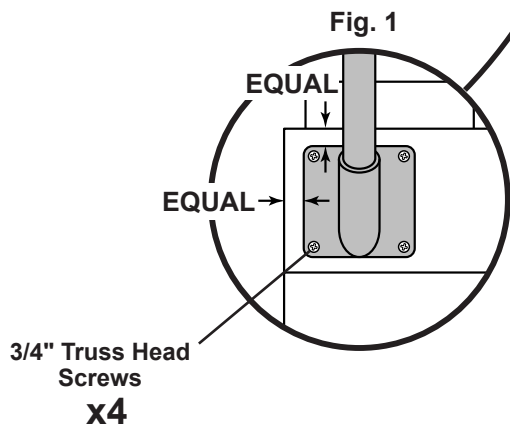
**SAFETY HANDLE - ROCK WALL**



# ACCESSORIES

# FLAGS

- 1 Locate flag base EQUAL Y from top, bottom and end of upper top rail (Fig. 1).
- 2 Attach each flag with 4 screws.



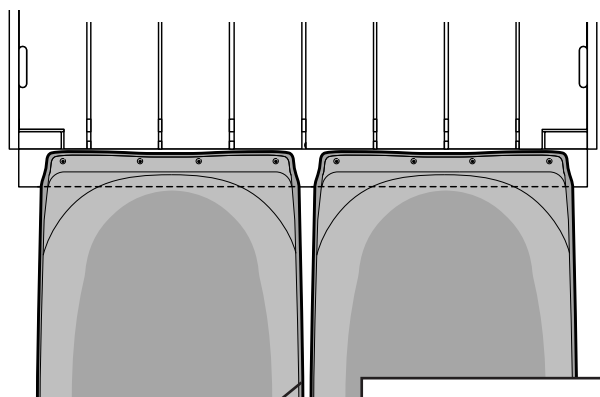
FRONT SIDE

# ACCESSORIES

# SLIDE

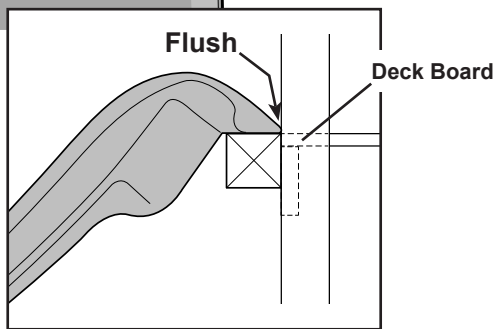
FOR 2660 AND SP 2680 SLIDES

- 1 Locate Slides centered in the opening of the terrace.

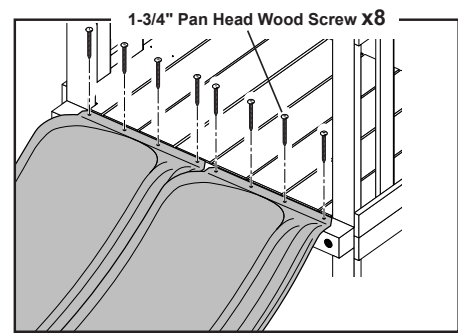


NOTE:  
Flush edge of slide to the  
end of deck boards.

NOTE:  
Make sure slides are  
placed tight together in  
middle.



- 2 Secure Slide using (4) 1-3/4" Pan Head Screws through slide and into deck board.

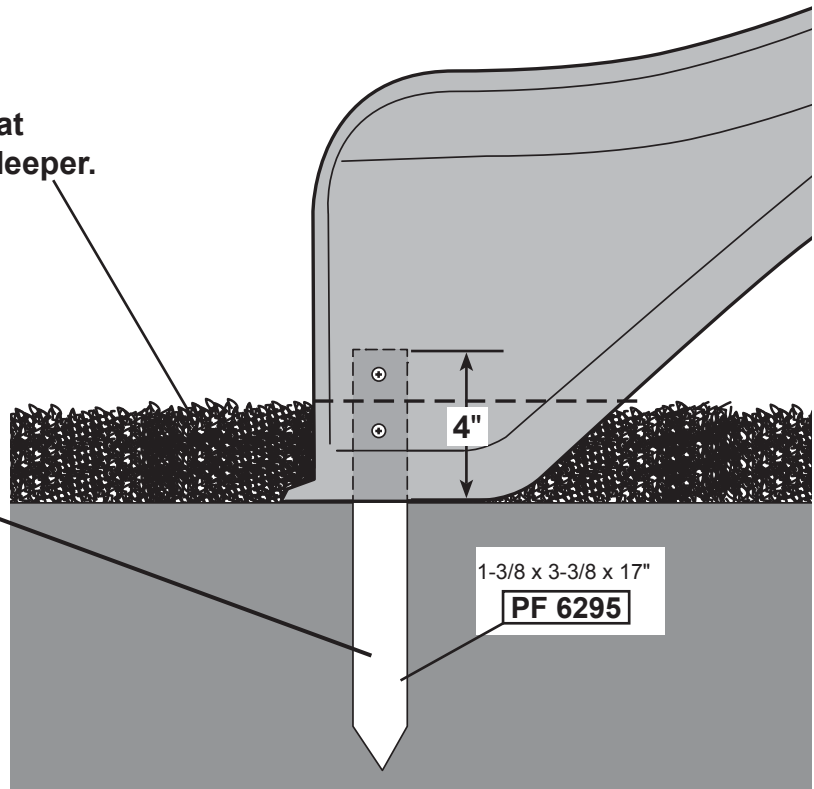


# ACCESSORIES

# SLIDE SURFACING MATERIAL (not supplied)

Apply Surfacing Material at recommended depth, or deeper.

Hammer PF 6295 Ground Stake into ground on either side of slide and attach to INSIDE slide wall using (2) 30 mm Screws.



(This page intentionally left blank.)



(This page intentionally left blank.)

(This page intentionally left blank.)

(This page intentionally left blank.)

# WARRANTY

## WARRANTY REGISTRATION

Backyard Play Systems warrants the following:

1. All wood components have a Limited Five Year Warranty.
2. All non-wood components\* have a three year Limited Warranty.  
\*Ropes carry a one year Limited Warranty.
3. Installation labor has a three year Limited Warranty applicable on playsets installed by Backyard Play Systems. Labor warranty does NOT apply to Do-It-Yourself playset kits or kits installed by a third party.

Backyard Play Systems will repair, replace or pay for the affected part at our discretion. In no event shall Backyard Play Systems pay the cost of labor or installation or any other costs related thereto.

Non-residential use of the system is prohibited and will void this warranty as the system is designed for residential use only.

### Conditions

The warranty is effective only when:

1. The unit has been erected in accordance with the assembly instructions.
2. The unit has been regularly and properly maintained and inspected.
3. The failure occurs when the unit is owned by the original purchaser.
4. This warranty is non-transferable
5. Backyard Play Systems has received a copy of your original proof of purchase with any claims in writing.
6. Backyard Play Systems has had reasonable opportunity during the sixty (60) days following the receipt of notification to inspect and verify the failure prior to commencement of any repair work.
7. "Significant color changes" to wood components is at the discretion of Backyard Products and require proof in the form of photographs or inspection by Backyard Play Systems.

Wooden components may have imperfections such as checks and knots. These are natural blemishes and imperfections which are inherent to wood. The imperfections not resulting in structural failure are not covered under this warranty.

### Requirements

To validate your warranty it is necessary to fill out and mail in the enclosed warranty card. And also to maintain and inspect your playset regularly. Regularly is defined as once per start and end of season.

### Claim Procedure

To make a claim under this warranty, you can either call 1-866-890-2211 or prepare a letter. Please have ready the information below when you call or include the information in writing:

1. The model and size of the product.
2. A list of the part(s) for which the claim is made.
3. Proof of purchase of the Backyard Play Systems item, as shown on the original invoice.
4. Run Code, as listed on the enclosed warranty card.

Mail the above information to:

Backyard Play Systems  
Attn: Customer Service  
1000 Ternes Dr.  
Monroe, MI 48162

# WARRANTY

Please feel free to call our Consumer Help Line Toll Free

**1-866-890-2211**

**April through October M - F 8:00 AM to 6:00 PM EST**

**Saturday 8:30 AM to 4:30 PM EST**

**November through March M - F 8:00 AM to 5:00 PM EST**

No warranty is offered on the following: (1) equipment subject to abuse, negligence, improper installation, vandalism, acts of God, unauthorized alteration or attachment to equipment other than our own: or (2) equipment subjected to improper use, service or repair by customer or any third party.

**To the maximum extent permitted by law, this warranty and the remedies set forth herein are exclusive and expressly in lieu of all other warranties, expressed or implied, including warranties of merchantability or fitness for a particular purpose. If Backyard Play Systems cannot disclaim or exclude implied warranties under applicable law, then to the extent possible any claims under any such implied warranties shall expire on expiration of the applicable warranty period. Some states do not allow limitations on how long an implied warranty lasts, so the above limitation may or may not apply to you. Backyard Play Systems does not assume, or authorize any person to assume for us, any other liability in connection with the sale of our products.**

**To the maximum extent of the law, Backyard Play Systems assumes no responsibility for incidental or consequential damages which may arise from the purchase or use of our playset or equipment. Some states do not allow the exclusion or limitation of incidental or consequential damages, so the above limitation or exclusion may not apply to you.**

If any provision of this limited warranty is invalid, void or unenforceable in any instance or respect, the unenforceable provision will be severed and reformed to effect the intent of this limited warranty to the maximum extent possible, and the remaining provisions shall continue in full force and effect and shall be enforced to the full extent permitted by law.

This warranty gives you specific legal rights, and you may also have other rights which vary from state to state.

- WARRANTY TERMS MAY VARY OUTSIDE THE U.S.A.**
- This manual is your warranty certificate. Please retain your original proof of purchase and this manual for any warranty claims.