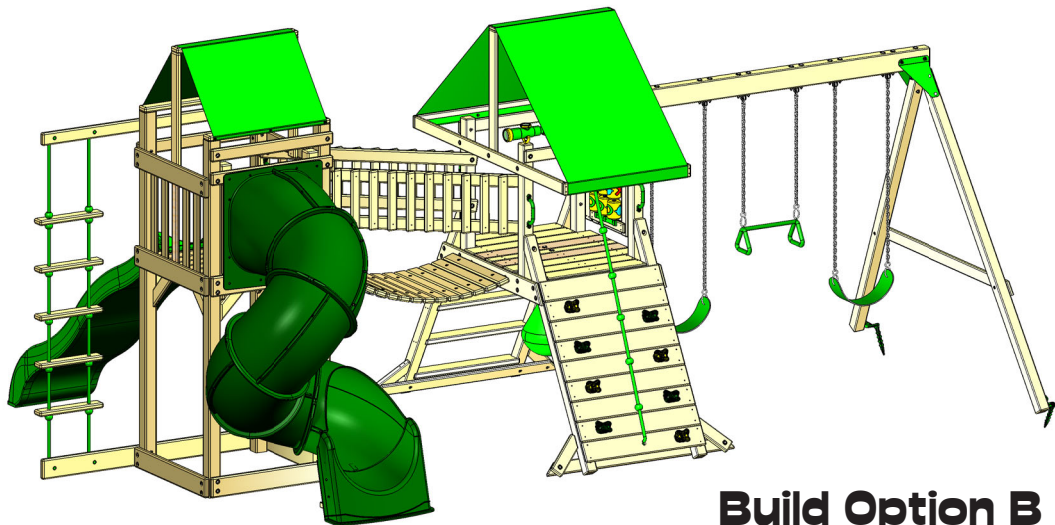


**Build Option A**



**Build Option B**

**P-PACK: 01-7108**

**MODEL:  
01-1138,6922**

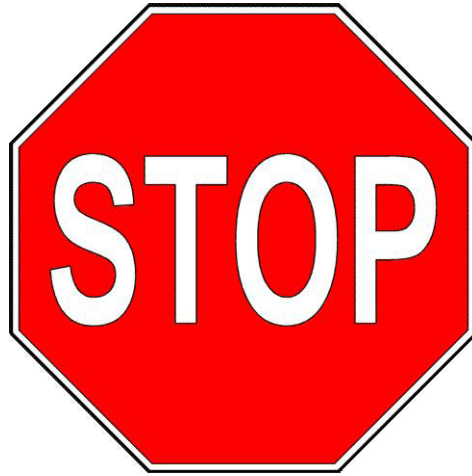
Copyright © 2023 Gorilla Playsets  
All Rights Reserved



**51-1138**

166 Etowah Industrial Court  
Canton, GA 30114  
[www.gorillaplaysets.com](http://www.gorillaplaysets.com)

REV: 12-20-2023



Please inspect and inventory all parts immediately upon accepting delivery. Use the inventory pages in the manual to make sure you have received all necessary parts. The quickest method to get any parts that are missing or damaged is to use our “Quick Response Center” located at:

**[www.gorillaplaysets.com/customer-care](http://www.gorillaplaysets.com/customer-care)**

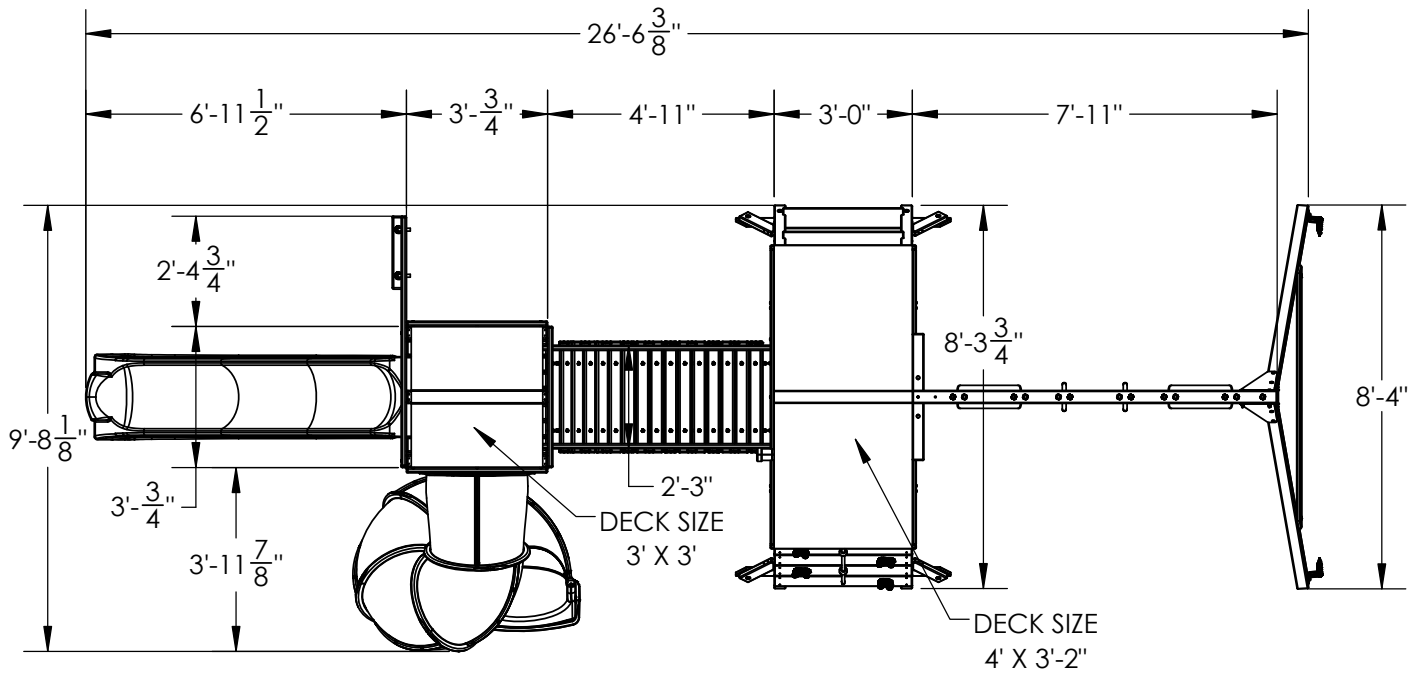
DO NOT RETURN THIS PRODUCT TO THE RETAILER OR CONTACT THE RETAILER DIRECTLY. THE RETAILER DOES NOT STOCK COMPONENTS.

PLEASE RETAIN ALL INSTRUCTIONS FOR FUTURE REFERENCE. KEEP THEM IN A SAFE PLACE WHERE YOU CAN REFER TO THEM AS NEEDED. CHECK FOR REVISED INSTRUCTIONS AT:

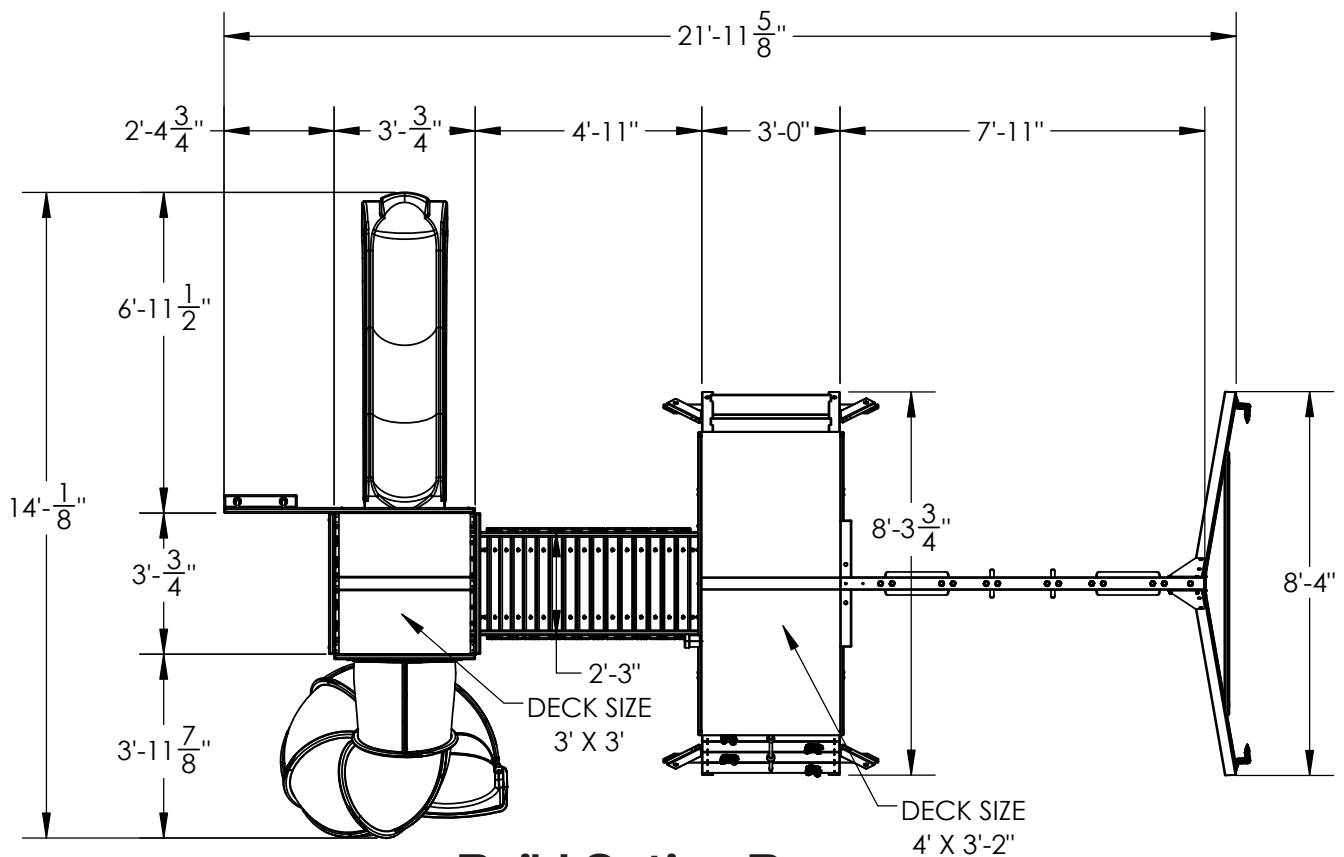
**[www.gorillaplaysets.com/assembly-manuals](http://www.gorillaplaysets.com/assembly-manuals)**



Build Option B below is 4 feet 6-3/4 inches smaller in width than Build Option A. Please see the Safety Zone pages later in the manual for the recommended overall yard size for this playset. You will build the main fort of the playset prior to adding on the clutter bridge and 3' x 3' tower. After the main fort is built, you choose Build Option A or Build Option B to suit your yard size or desires.



**Build Option A**



**Build Option B**

## GORILLA PLAYSETS WARRANTY – 2023

---

Gorilla Playsets® (“Gorilla”) warrants its play sets to be free from defects in workmanship and materials, under normal use and conditions, for 10 years for above ground structural wood components and for one year for all other components (e.g., swings, hardware, plastics, tarps, rope ladder, etc.).

Gorilla warrants all remaining products, including but not limited to its, Malibu Playhouse, Free Standing Swing Set, Free Standing Tire Swing, See-Saw, Children’s Picnic Table with Umbrella, Play-Zee-Bo™, Cedar Toy Chest, Interlocking Sandbox and spring riders to be free from defects in workmanship and materials, under normal use and conditions, for a period of 1 year.

**Cosmetic imperfections and natural tendencies of wood such as peeling, splintering, warping, seasonal checking or cracking, knots or knot holes, etc. are normal characteristics of all outdoor wooden play equipment and are not covered by this warranty. Checks or cracks in wood components that do not affect the intended function of the part, piece or overall swing set are not covered under this warranty.**

Wood rot or decay that develops because the product was installed in an area with poor drainage is not covered under this warranty. Lumber that has been damaged by wood boring bees, or conditions that develop as a result of faulty or improper installation of the product, are not covered by this warranty. Fading of stain, discoloration or mold on any wood part or accessory is not covered by this warranty. Cracks in plastic components, surface rust on hardware and chips on powder coated materials are not considered defects in material as long as they do not affect the functionality or structural integrity of the part or component.

It is the owner’s responsibility to maintain the swing set. **This includes but is not limited to staining and sealing the lumber as needed and regular inspection to be sure all hardware is tight.** Instructions for proper maintenance can be found on Gorilla’s website. Imperfections or conditions that develop because of a failure to properly maintain the swing set are not covered by this warranty.

Gorilla will, at its discretion, replace any above ground part within the stated warranty period that is defective in workmanship or materials. This decision is subject to verification of the defect, which, at Gorilla’s discretion, may be accomplished by submitting photographs or by delivery of the defective part to Gorilla Playsets • 166 Etowah Industrial Ct. • Canton, GA 30114 • 1-800-882-0272 Monday to Friday 9AM-5PM EST. Any warranty claim must include proof of purchase, including the date of purchase. **In addition, within the first 30 days from the date of purchase, Gorilla will replace any parts discovered to be missing from or damaged in the original packaging.**

This warranty is valid only if the product is used for the purpose for which it was designed and installed at a residential, single-family dwelling. This warranty is void if the product is used in a commercial, institutional or multi-family setting. **This warranty does not cover normal wear and tear or (a) products that have been damaged by acts of God and/or nature, negligence, misuse or accident; (b) products that have been modified or repaired by unauthorized persons; (c) the cost of labor; or (d) the cost of shipping any replacement product or part.**

GORILLA DISCLAIMS ALL OTHER REPRESENTATIONS AND WARRANTIES OF ANY KIND, EXPRESSED, IMPLIED, STATUTORY OR OTHERWISE, INCLUDING THE IMPLIED WARRANTIES OF MERCHANTABILITY AND FITNESS FOR A PARTICULAR PURPOSE. GORILLA WILL NOT BE LIABLE FOR ANY INCIDENTAL OR CONSEQUENTIAL DAMAGES. This warranty is non-transferable and does not extend to the owners of the product subsequent to the original purchaser. Some states do not allow limitations on implied warranties or exclusion of incidental or consequential damages, so these restrictions may not be applicable to you. This warranty gives you specific legal rights. You may also have other rights which vary from state to state.

# IMPORTANT SAFETY GUIDELINES

This product is recommended for use by children ages 3-11. This product is intended for residential use only and not intended for use in any public setting. A safety surface such as mulch or recycled tire should be used under the play set to prevent injury from falls. Also a 6 foot safety zone should be used around the entire play set.

As with any home project, good judgment and respect for power tools will greatly reduce the risk of injury. Gorilla recommends you follow all tool manufacturers' safety guidelines. Always wear eye protection and safety gloves to prevent injury. In several phases of construction two people may be required for lifting and securing of lumber. While the play set is being constructed, please keep children off the equipment until the project is complete. Bolts and screw heads should be checked regularly for tightness. The ground ladder, rope ladder, slide, swings and other areas where children spend a majority of their playtime should be checked more frequently.

Gorilla shall not be liable for incidental, indirect or consequential damages or injuries that result from building and/or playing on our play sets. Adult supervision is recommended anytime a play set is being used.

## WEIGHT LIMITS FOR GORILLA PLAYSETS

- SWING BELT: 225 LBS.
- TANDEM SWINGS: 70 LBS. PER CHILD. UP TO 140 LBS. TOTAL WEIGHT.
- TRAPEZE: 125 LBS.
- FULL BUCKET SWING/ HALF BUCKET SWING: 50 LBS.
- HEAVY DUTY TODDLER BUCKET SWING: 85 LBS.
- INFANT SWING: 35 LBS.
- TIRE SWING: 125 LBS. TOTAL WEIGHT
- ROPE LADDER: 75 LBS.
- ROCK WALL: 150 LBS.
- CLIMBING RAMP: 150 LBS.
- MONKEY BARS: 175 LBS.
- ALL SLIDES: 150 LBS.

Gorilla recommends that the weight limits for all components must not be exceeded. Failure to adhere to these and other safety guidelines could result in damage to the play set and injury to the users.

**THIS PAGE INTENTIONALLY LEFT BLANK**

# PRODUCT REGISTRATION

- MODELS: 01-1138, 6922 -

Gorilla Playsets™ manufactures the finest quality products that are designed for outstanding strength and durability. We back our products with unparalleled warranties. In the unlikely event that you need to contact us about covered repairs, we must have a valid Product Registration on file.

3 EASY WAYS TO REGISTER	
<b>OPTION 1</b>	Complete the online registration form at: <b><a href="https://www.gorillaplaysets.com/product-registration">https://www.gorillaplaysets.com/product-registration</a></b>
<b>OPTION 2</b>	Fax this completed form to: <b>(678) 880-3300</b>
<b>OPTION 3</b>	Mail this completed form to: <b>Gorilla Playsets</b> <b>166 Etowah Industrial Court</b> <b>Canton, GA 30114</b>

## Where did you buy this product?

Date of Purchase \_\_\_\_\_

Store \_\_\_\_\_

Store City \_\_\_\_\_

Store State \_\_\_\_\_

## Your registration information:

Name: \_\_\_\_\_ Email: \_\_\_\_\_

Address: \_\_\_\_\_

Street

City

State

Zip

Please select  18-30  41-50  
your age  31-40  51+

How old are  2-3  6-7  
your children?  4-5  8+

Number of   
children

How would  ★ ★ ★ ★ ★ Excellent  
you rate the  ★ ★ ★ ★ Above Average  
quality of this  ★ ★ ★ Average  
product?  ★ ★ Below Average  
 ★ Poor

Would you recommend this product to friends & family?  Yes  No

May we add you to our mailing list?  Yes  No

May we use your comments on websites or other marketing materials?  Yes  No

Comments: \_\_\_\_\_

---

---

---

---



**THIS PAGE INTENTIONALLY LEFT BLANK**

## **IMPORTANT – PLEASE READ**

Congratulations! You have just purchase one of the finest residential wooden swing sets available today. As with any wooden product that spends its entire life outside, in varying elements, it is important to know what to expect with your new swing set so that your family can enjoy it for many years.

As your swing set acclimates to its new environment, natural characteristics of the wood can show in the form of checks, or “cracks” in the lumber. In almost all cases this is normal and it will not affect the structural integrity of your play set and is not covered under warranty.

## **KEEPING YOUR PLAYSET LIKE NEW**

### **MUST DO's**

**The following owner responsibilities are crucial to the safety, integrity and aesthetic appeal of your swing set and may affect the warranty if not adhered to.**

#### **WITHIN 60 DAYS**

- Check and tighten Hex Bolts/T-nuts, Carriage Bolts/Lock-nuts, and Lag Screws within the first 60 days and then twice annually – once before each season and then once during the season.

#### **WITHIN 90 DAYS**

- Apply a **sealant** or **semi-transparent stain with sealant** within the first 90 days of owning the swing set. Our own Stain/sealant is available online here: <http://www.gorillaplaysets.com/Playground-Sealant-p/10-0003.htm>

Oil based stain or water based stain may be used. Should you choose to use other stain we suggest asking the product covering specialists at any number of specialty paint stores or home improvement centers for a product that would work best for your local environment. \*\* TIP – while the set is new, take a small board from the store with you so they can color match the tint of the stain or sealant.

### **SEASONAL REMINDERS**

- If your area experiences regular snowfall, remove your fabric tarp/canopy to avoid stretching, sagging or tearing of the material. Store it inside, folded up, and it will be as good as new when winter is over.
- If your area experiences extremely cold temperatures, remove swing belts and other pliable features to prolong the lifespan of these play activities.

### **OTHER TIPS**

- Spray swing hangers with Pam, Mazola or olive oil to stop squeaking; do not use petroleum based products such as WD-40 or motor oil.
- To repel yellow jackets and wasps, use a cotton ball and dab interior wooden corners underneath the play set deck with a liquid dish soap. Avoid using insecticides.
- To speed up the slide wipe the center of slide with wax paper every 2 - 3 weeks.

For additional safety and maintenance guidelines, please visit our website.



# IMPORTANT DOCUMENTS

## CUSTOMER MUST READ AND RETAIN

Please go to the following links and read important SAFETY information prior to using your new play structure.

<http://www.gorillaplaysets.com/safety-tips/>

<https://www.gorillaplaysets.com/suggested-maintenance>

<http://www.gorillaplaysets.com/assembly-manuals/>

(Click on your specific model)

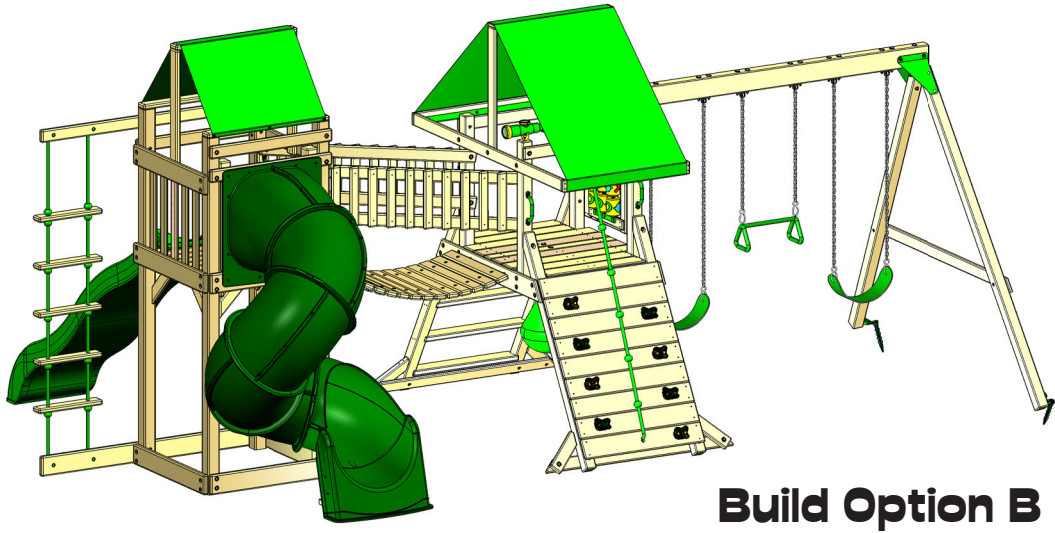
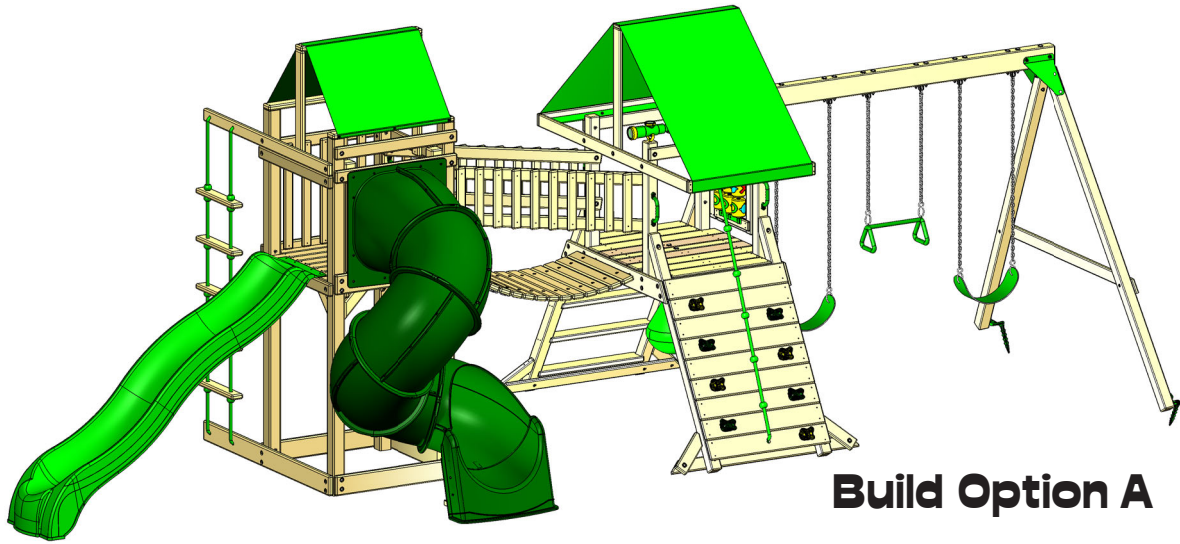
<http://www.gorillaplaysets.com/warranty/>

**NOTE:** Your children's safety is our #1 concern. Observing the following statements and warnings reduces the likelihood of serious injury. Please review these safety rules regularly with your children.

### **WARNING:**

*Children must NOT use this play set until it has been completely assembled and inspected by an adult to ensure it has been properly installed.*

Gorilla Playsets  
166 Etowah Industrial Court  
Canton, GA. 30114



**Models: 01-1138, 6922**

REV: 12.20.2023

# TABLE OF CONTENTS

Safety Guidelines.....	Pages 3-7
Leveling Fort, General Information and Definitions.....	Pages 7-9
How to Install T-nuts .....	Pages 10-11
Board Identification and Lag Screw directions.....	Pages 12-13
Swingbeam Loading, Site Plans, Safety Zones, Required Tool List and Kit Contents .....	Pages 14-19
Hardware, Accessory and Lumber Checklists.....	Pages 20-37
Ladder.....	Steps 1-3
Rock Wall.....	Steps 4-6
Fort Supports and Corner Posts.....	Steps 7-11
Ladder and Rock Wall Completion.....	Step 12
Swing Beam Mount and Side Rails.....	Steps 13-15
Upper Rail and Rock Wall Rope Support.....	Step 16
Leveling Play Set and Tightening Bolts.....	Step 17
Tarp Boards and Deck Boards.....	Steps 18-19
Rear Bottom Panel Board, Center Posts and Center Tarp Board.....	Steps 20-22
Panel Slats and Center Deck Support.....	Steps 23-25
Swing Beam Assembly.....	Steps 26-32
Rock Wall Rocks, Climbing Rope.....	Steps 33-34
Attaching Tarp.....	Step 35
Telescope, Safety Handles and Hanging Swings.....	Steps 36-38
Punching Ball and Tic Tac Toe.....	Steps 39-41
Name Plate, Safety Warning Plate, Ground Stakes.....	Steps 42-43
Clatter Bridge and Tower Build Option A.....	Pages 82-120
Clatter Bridge and Tower Build Option B.....	Pages 121-159
Appendix: Clatter bridge mesh panels.....	Page 160

**PLEASE READ OWNER'S MANUAL CAREFULLY BEFORE STARTING ASSEMBLY!**



# Safety and Maintenance Tips for Your New Play Set:

**NOTE: Your children's safety is our #1 concern. Observing the following statements and warnings reduces the likelihood of serious or fatal injury. Please review these safety rules regularly with your children.**

- This play set is designed for the use of 4 occupants who have a combined weight not exceeding 450 pounds on the elevated main fort floor, 2 occupants who have a combined weight not exceeding 150 lbs on the bridge decking, 4 occupants who have a combined weight of 350 pounds on the tower deck, 3 occupants who have a combined weight of 425 pounds on the swing area, for a total Unit capacity of 13 occupants who have a combined weight of 1375 pounds. (This weight does not include any picnic table area(s).)
- On-site adult supervision is required.
- Teach children not to walk close to, in front of, behind, or between moving swings or other moving playground equipment.
- Teach children to sit in and never stand on swings
- Teach children not to twist the chains and ropes and not to loop them over the swing beam, since this may reduce the strength of the chain or rope.
- Teach children not to jump from swings or other playground equipment in motion.
- Teach children not to push empty seats. The seat may hit them and cause serious injury.
- Teach children to sit in the center of the swings with their full weight on the seats.
- Teach children not to use the equipment in a manner other than intended.
- Teach children to always go down slides feet first. Never slide headfirst.
- Teach children to look before they slide to make sure no one is at the bottom.
- Teach children to never run up a slide, as this increases their chances of falling.
- The parents should have the children dress appropriately with well-fitting shoes. No clogs, flip-flops, or sandals are allowed. Loose clothing such as scarves, ponchos or capes should not be worn. Always take off, tie up or tuck in cords and drawstrings on children's clothing. These things can get caught on playground equipment and strangle a child.
- Teach children not to climb when the equipment is wet.
- Teach children to never jump from a fort deck. They should always use the ladder, ramp or slide.
- Teach children to never crawl or walk across the top of monkey bars or swing beam.
- Teach children to never crawl on top of a fort roof or on the outside of a tube slide.
- Verify that any suspended climbing ropes, chains, or cables are secured at both ends and that they cannot be looped back onto itself.
- Teach children not to attach items to the playground equipment that are not specifically designed for use with the equipment, such as, but not limited to, jump ropes, clothesline, pet leashes, cables and chain as they may cause a strangulation hazard.
- Teach children to never wrap their legs around swing chain.
- Teach children to never slide down the swing chain.
- Teach children to remove their bike or other sports helmet before playing on the playground equipment.
- Teach children to NEVER look at the sun or other bright light through any accessory such as but not limited to a telescope, periscope or binoculars.
- Never add extra length to chain or rope. The chains or ropes provided are the maximum length designed for the swings.

**WARNING: Children must NOT use this play set until it has been completely assembled and inspected by an adult to insure it has been properly installed and the swing beam legs are anchored.**

# **Safety and Maintenance Tips for Your New Play Set: (continued)**

Playgrounds should be inspected on a regular basis. If any of the following conditions are noted, they should be removed, corrected or repaired immediately to prevent injuries.

- Hardware that is loose, worn or that has protrusions or projections.
- Exposed equipment footings.
- Scattered debris, litter, rocks, or tree roots.
- Splinters, large cracks and decayed wood components.
- Deterioration and corrosion on structural components, which connect to the ground.
- Swing chains, rings, ropes, etcetera should always be fastened to a rotating swing hanger. NEVER attach a chain, ring, rope, etcetera to a stationary hanger such as but not limited to an eye bolt. Severe wear could occur leading to an injury.
- Missing or damaged equipment conditions, such as but not limited to handholds, guardrails or swing seats.

## **At the beginning of each play season:**

- Owners shall be responsible for maintaining the legibility of all warning labels. Replace as required.
- Tighten all hardware. (But not so tight that you crack the wood.)
- Oil all metallic moving parts.
- Check all protective coverings on bolts, pipes, edges and corners. Replace if they are loose, cracked or missing.
- Check all moving parts including swing seats, ropes, cables and chains for wear, rust, or other deterioration. Replace as needed. Replacement should be made of any swing seat that has developed cracks in the plastic seat.
- Check metal parts for rust. If found, sand and repaint using a nonlead-based paint meeting the requirements of 16 C.F.R. 1303. These requirements are available at: <http://www.cpsc.gov/>
- Check all wood members for deterioration and splinters. Sand down splinters and replace deteriorating wood members. Once or twice a year, depending on your climate conditions, you must apply some type of protection (sealant) to the wood or your play set. Please note this is a requirement of your warranty.
- Reinstall any plastic parts, such as swing seats or any other items that were removed for the cold season.
- Rake and check depth of loose fill protective surfacing materials to prevent compaction and to maintain appropriate depth. Replace as necessary.
- Creating and maintaining the play set on a level location is very important. As your children play, your play set will slowly dig its way into the soil, and it is very important that it settles evenly. Make sure the play set is level and true.

## **Twice a month during play season:**

- Tighten all hardware. (But not so tight that you crack the wood.)
- Check all protective coverings on bolts, pipes, edges and corners. Replace if they are loose, cracked or missing.
- Rake and check depth of loose fill protective surfacing materials to prevent compaction and to maintain appropriate depth. Replace as necessary.

## **Once a month during play season:**

- Oil all metallic moving parts.
- Check all moving parts including swing seats, ropes, cables and chains for wear, rust, or other deterioration. Replace as needed. Replacement should be made of any swing seat that has developed cracks in the plastic seat.

## **At the end of each play season or when the temperature drops below 32°F:**

- Remove plastic swing seats and take indoors or do not use.
- Rake and check depth of loose fill protective surfacing materials to prevent compaction and to maintain appropriate depth. Replace as necessary.

## **Disposal Instructions:**

When the playset is no longer desired or when it reaches the end of its lifetime it should be disassembled and disposed of in such a way that no unreasonable hazard will exist at the time the playset is discarded.

# PLAYGROUND SURFACING MATERIALS

## SECTION 4 OF THE CONSUMER PRODUCT SAFETY COMMISSION'S OUTDOOR HOME PLAYGROUND SAFETY HANDBOOK<sup>9</sup>

### Select Protective Surfacing

One of the most important things you can do to reduce the likelihood of serious head injuries is to install shock-absorbing protective surfacing under and around your play equipment. The protective surfacing should be applied to a depth that is suitable for the equipment height in accordance with ASTM Specification F 1292. There are different types of surfacing to choose from; whichever product you select, follow these guidelines:

**NOTE:** Do not install home playground equipment over concrete, asphalt, or any other hard surface. A fall onto a hard surface can result in serious injury to the equipment user. Grass and dirt are not considered protective surfacing because wear and environmental factors can reduce their shock absorbing effectiveness. Carpeting and thin mats are generally not adequate protective surfacing. Ground level equipment – such as a sandbox, activity wall, playhouse or other equipment that has no elevated play surface – does not need any protective surfacing.

### Loose-Fill Materials:

- ❑ Maintain a minimum depth of 9 inches of loose-fill materials such as wood mulch/chips, engineered wood fiber (EWF), or shredded/recycled rubber mulch for equipment up to 8 feet high; and 9 inches of sand or pea gravel for equipment up to 5 feet high. NOTE: An initial fill level of 12 inches will compress to about a 9-inch depth of surfacing over time. The surfacing will also compact, displace, and settle, and should be periodically refilled to maintain at least a 9-inch depth.
- ❑ Use a minimum of 6 inches of protective surfacing for play equipment less than 4 feet in height. If maintained properly, this should be adequate. (At depths less than 6 inches, the protective material is too easily displaced or compacted.)
- ❑ Use containment, such as digging out around the perimeter and/or lining the perimeter with landscape edging. Don't forget to account for water drainage. U.S. Consumer Product Safety Commission, Washington, D.C., 20207 or call the toll-free hotline :1-800-638-2772
- ❑ Check and maintain the depth of the loose-fill surfacing material. To maintain the right amount of loose-fill materials, mark the correct level on play equipment support posts. That way you can easily see when to replenish and/or redistribute the surfacing.
- ❑ **Do not** install loose fill surfacing over hard surfaces such as concrete or asphalt.

### Poured-In-Place Surfaces or Pre-Manufactured Rubber Tiles:

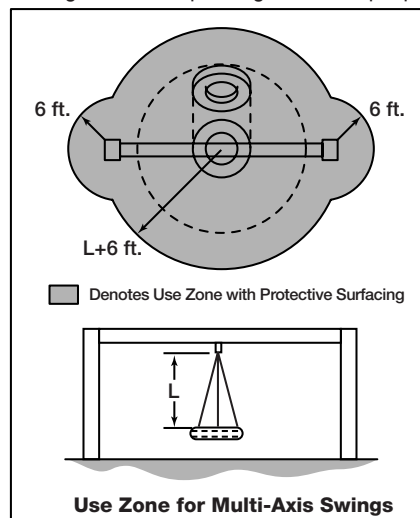
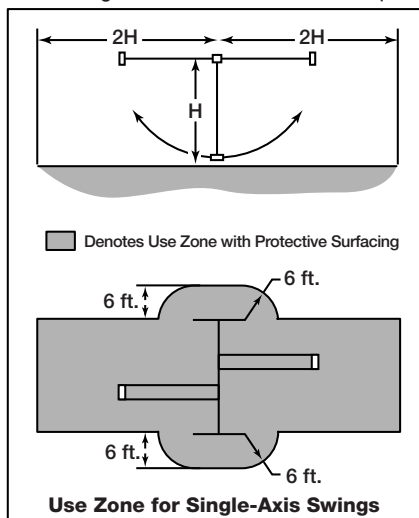
You may be interested in using surfacing other than loose-fill materials – like rubber tiles or poured-in-place surfaces.

- ❑ Installations of these surfaces generally require a professional and are not "do-it-yourself" projects.
- ❑ Review surface specifications before purchasing this type of surfacing. Ask the installer/manufacturer for a report showing that the product has been tested to the following safety standard: ASTM F 1292 Standard Specification for Impact Attenuation of Surfacing Materials within the Use Zone of Playground Equipment. This report should show the specific height for which the surface is intended to protect against serious head injury. This height should be equal to or greater than the fall height – vertical distance between a designated play surface (elevated surface for standing, sitting, or climbing) and the protective surfacing below – of your play equipment.
- ❑ Check the protective surfacing frequently for wear.

### Placement

Proper placement and maintenance of protective surfacing is essential. Be sure to

- ❑ Extend surfacing at least 6 feet from the equipment in all directions.
- ❑ For to-fro swings, extend protective surfacing in front of and behind the swing to a distance equal to twice the height of the top bar from which the swing is suspended.
- ❑ For tire swings, extend surfacing in a circle whose radius is equal to the height of the suspending chain or rope, plus 6 feet in all directions.



<sup>9</sup> This information has been extracted from the CPSC publications "Playground Surfacing—Technical Information Guide" and "Handbook for Public Playground Safety." Copies of these reports can be obtained by sending a postcard to the: Office of Public Affairs, U.S. Consumer Product Safety Commission, Washington, D.C., 20207 or call the toll-free hotline: 1-800-638-2772

# Play Set Surfacing Recommendations:

Below are some of the recommendations that the U.S. Consumer Product Safety Commission (CPSC) offers from its Handbook for Public Playground Safety. The guide can be downloaded in full at [www.cpsc.gov/PageFiles/122149/325.pdf](http://www.cpsc.gov/PageFiles/122149/325.pdf)

**1. Protective Surfacing** - Since almost 60% of all injuries are caused by falls to the ground, protective surfacing under and around all playground equipment is the most critical safety factor on playgrounds.

Certain manufactured synthetic surfaces also are acceptable; however, test data on shock absorbing performance should be requested from the manufacturer.

Asphalt and concrete are unacceptable. They do not have any shock absorbing properties. Similarly, grass and turf should not be used. Their ability to absorb shock during a fall can be reduced considerably through wear and environmental conditions.

Certain loose-fill surfacing materials are acceptable. Surfacing materials are acceptable, such as the types and depths shown in the table.

## Fall Heights and Materials

Type Of Material	6 in. depth	9 in. depth	12 in. depth
Double-Shredded bark mulch	6' Fall Height	10' Fall Height	11' Fall Height
Wood Chips	6' Fall Height	7' Fall Height	12' Fall Height
Fine Sand	5' Fall Height	5' Fall Height	9' Fall Height
Shredded Tires*	10-12' Fall Height	N/A	N/A
Fine Gravel	6' Fall Height	7' Fall Height	10' Fall Height

\*This data is from tests conducted by independent testing laboratories on a 6-inch depth of uncompressed shredded tire samples produced by four manufacturers. The tests reported critical heights, which varied from 10 feet to greater than 12 feet. It is recommended that persons seeking to install shredded tires as a protective surface request test data from the supplier showing the critical height of the material when it was tested in accordance with ASTM F1292.

*It should be recognized that all injuries due to falls cannot be prevented no matter what surfacing material is used.*

**2. Fall Zones** - A fall zone, covered with a protective surfacing material, is essential under and around equipment where a child might fall. This area should be free of other equipment and obstacles onto which a child might fall. Stationary climbing equipment and slides should have a fall zone extending a Minimum of 6' in all directions from the perimeter of the equipment.

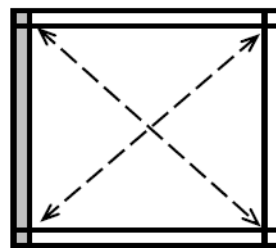
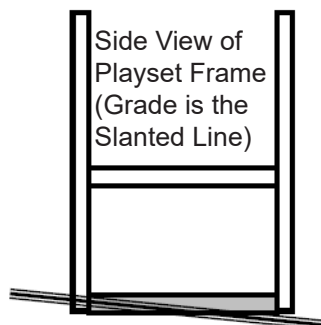
Swings should have a fall zone extending a minimum of 6' from the outer edge of the support structure on each side. The fall zone in front and back of the swing should extend out a minimum distance of twice the height of the swing as measured from the ground to the top of the swing support structure.

## LEVELING YOUR FORT DURING ASSEMBLY

- Complete the steps which will be the basic frame of the fort. {i.e. four corner posts with base (sand box boards) and deck supports}
- Position in the most level area chosen for the play set, keeping in mind the location and size of the swing beam, ladder, slides, etc. that extend off the fort.
- Once the frame is in the final position, check for vertical and horizontal levelness to determine which side(s) will need to be dug into the ground to level the play set.
- With a shovel, score the ground around the outside edges of the sandbox boards on the 'high' side of the fort. This is the area that will be dug in. Make sure to score deep enough; the scored lines will be your digging template.
- Push the frame off and away from the scored area, far enough to dig and remove dirt to reach the appropriate depth.
- Dig a channel along the scored line(s) for the base of the fort (corner post and sandbox boards) to rest into. Dig the channel(s) to the same level depth. The bottom of the channel(s) should be level to each other so your frame doesn't teeter or rock because the channel(s) are uneven.
- Once you have removed enough grass and dirt, slide/push the frame into the channel(s). Place a level on the vertical and horizontal boards of the frame to determine if enough soil, or too much, was removed.
- Repeat this process until the basic frame is plumb and level and in its final position before completing the rest of the assembly.
- Measure to make sure fort is square.

**Important: if you require a channel depth of more than 6", then we recommend you have your play set area professionally graded before completing assembly.**

*Example Play area:*



The diagonal measurements should be the same from corner post to corner post. If not, adjust corner posts so that the distance is equal.

■ = Area to be scored and channeled for levelness



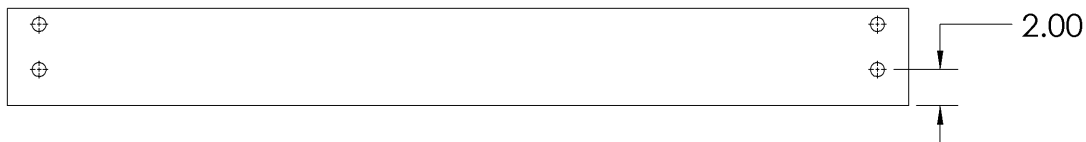
# General Info to Review Before Installation

- Depending on your experience, assembly of the playset can take as little as 6 hours up to 24 hours, depending on size, after inventory of parts; therefore, we recommend you set aside a full two days for assembly.
- Identify all of the parts for your play set. Empty each box and lay out boards so you can see each part. Your instruction book will have detailed drawings that will make it easy for you to recognize individual parts. Keep all hardware and metal parts separate from wooden pieces.
- After everything is laid out, check carefully to ensure all parts are present. Make sure there are no broken boards.
- Find an area to sort your hardware. It is best to open the hardware on a solid surface so that you do not lose any pieces in the grass. This will save time and familiarize you with all the different pieces in the hardware bag.
- Important note: Wood has some natural defects such as knots, surface cracks, etc... We reject parts that are structurally defective. We use a high quality lumber in our structures; however, you should inspect each part for splinters or rough spots and sand them smooth to prevent injury.
- After familiarizing yourself with all of the components, read all instructions thoroughly. Reading instructions after you have studied the parts will help you understand the installation process, and help to eliminate unnecessary mistakes.
- Pay close attention to the diameter and length of each bolt and screw.
- Never tighten hardware completely at first. It helps to have some adjustment for bolt alignment while you are attaching parts together. After everything is square, tighten each joint.
- After the main unit is assembled it is critical that the floor is level and square. If the main frame is not level, the walls and floor will be out of square.
- After you complete installation, make sure every bolt, screw, and nut is tight, and every board is secure. Wood will expand and contract with the seasons.
- Place the set on level ground, not less than 6 feet from any structure or obstruction such as a fence, garage, house, overhanging branches, laundry lines, or electrical wires.

**This page is a list of definitions and explanations used throughout our instructions to aid you in the assembly of your play set.**

**Offset Holes-** Throughout the installation procedures we will refer to parts with offset holes. This refers to the orientation of the holes on the board. An offset hole is one that is closer to one side than it is the other or in other words, it is not centered on the board. In the procedures you will be instructed to attach the boards with the holes offset up or with the holes offset down. This refers to which side of the board the hole/holes should be closer to. Offset holes up= hole/holes will be closer to the top of the board. Offset holes down= hole/holes will be closer to the bottom of the board. Note: some parts do not have offset holes, but instead the holes are on center. Therefore there will not be any reference on how to offset these parts.

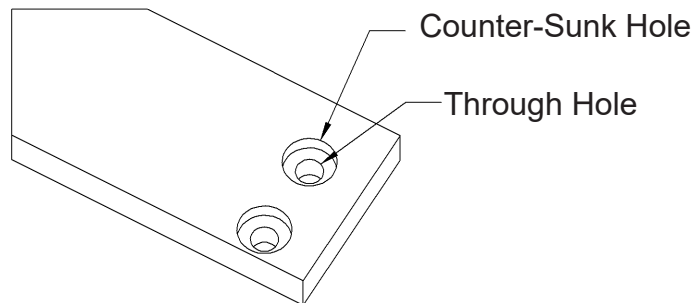
### **EXAMPLE OF OFFSET HOLES UP**



### **EXAMPLE OF OFFSET HOLES DOWN**



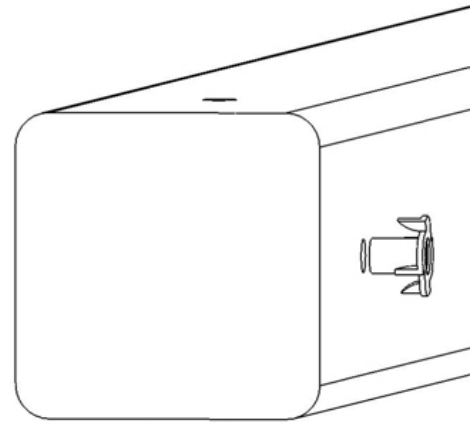
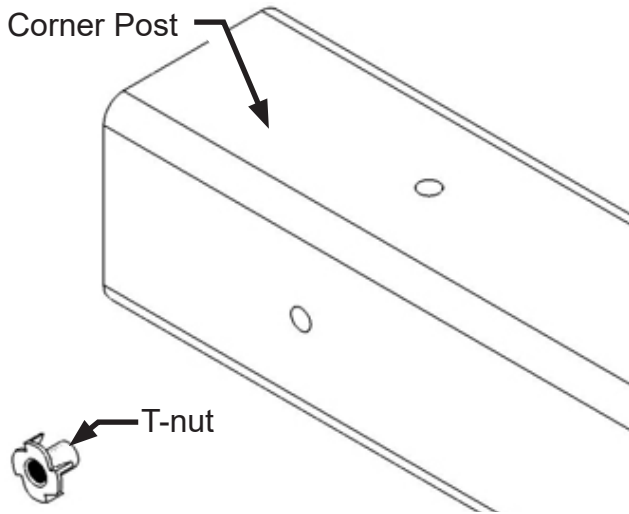
**Counter-sunk holes** - Many of the parts that will be used have counter-sunk holes. A counter-sunk hole is one that surrounds one side of a through hole, but does not extend through the wood it's self. When using a counter-sunk hole the bolt will be inserted through the through hole and either the head of the bolt and washer or nut and washer will occupy the counter sunk hole.



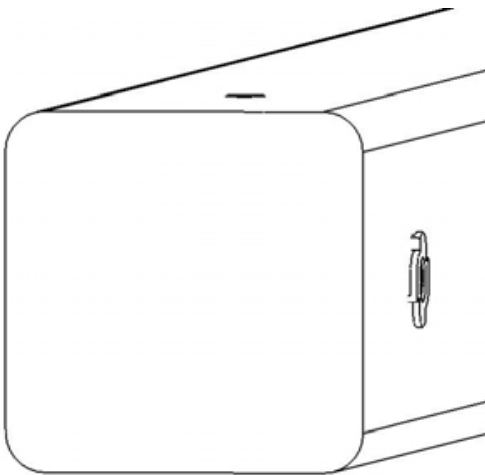
**Lag Screws-** Lag screws are used in the construction of our play sets to enhance the structural integrity of the unit. There will not be predrilled holes in the post for lag screw installation. Lag screws are self-tapping, though if you are using a manual socket wrench it may be advantageous to pre-drill a hole first. Instructions for this are provided on a separate page in the front of the manual. Be sure to tighten the lags completely when driving them in by hand. Power tools such as a heavy duty impact driver or large power drill should have enough torque to drive in the lag screws, but make sure not to over tighten as this can cause the threads to “strip out” in the post.

# Common Installation Practice Installing T-nuts

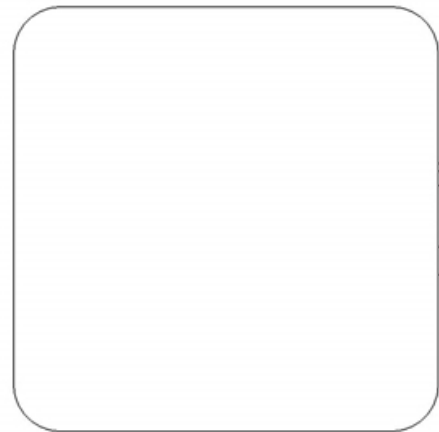
When installing T-nuts into the wood, use a smooth faced hammer to set the face of the T-nut flush into the wood.



Insert the barrel of the T-nut into the predrilled hole. Using a smooth faced hammer, drive the T-nut until the face of the T-nut is flush to the wood.

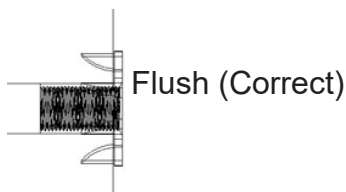


This picture shows the T-nut inserted and installed flush to the wood.



This picture shows an end view of the T-nut installed flush to the wood.

**WARNING: DO NOT EMBED THE TOP OF THE T-NUT INTO THE FACE OF THE WOOD**



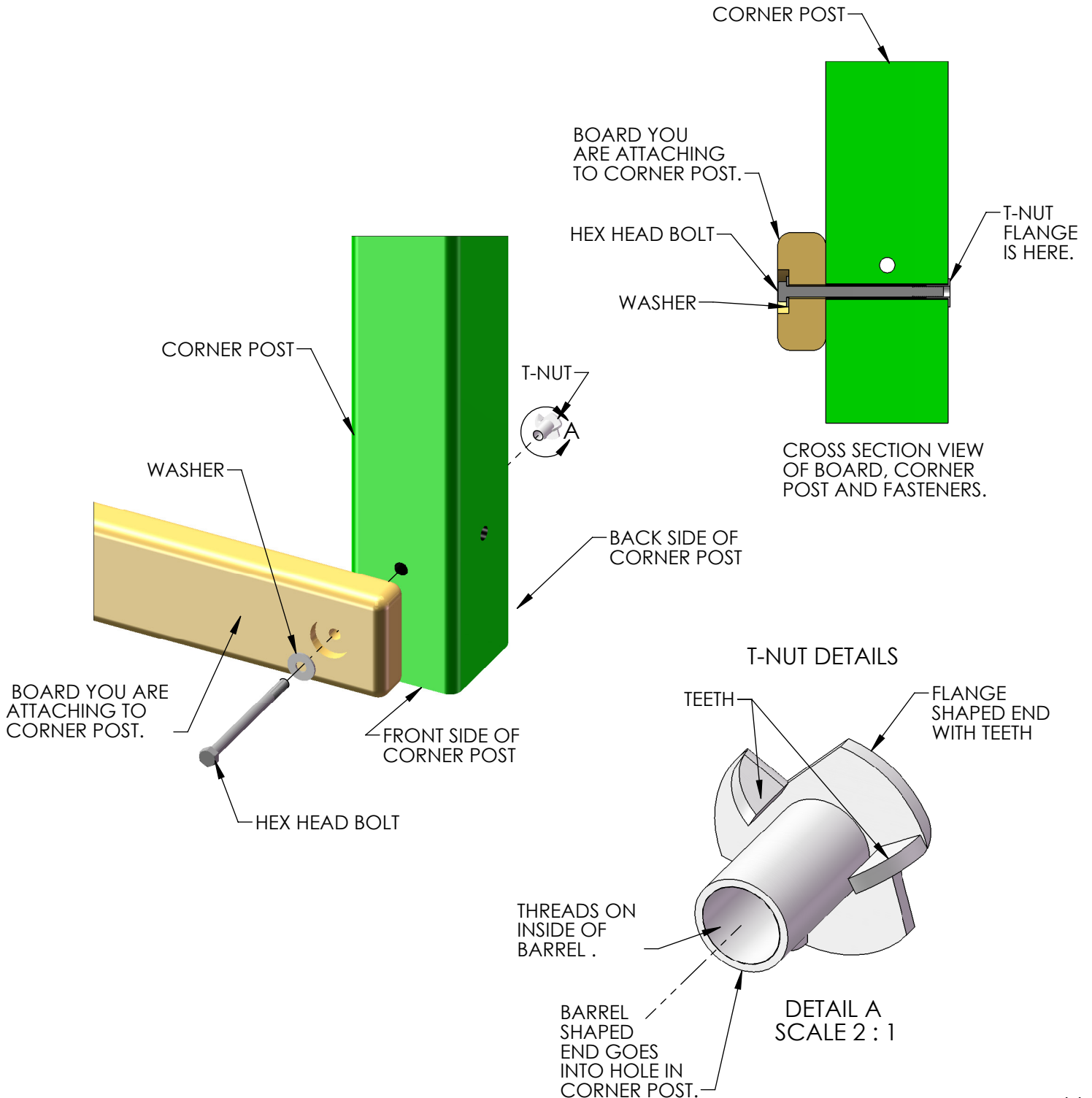
Cross Section end view, you are looking at an X-ray view of the post and T-nut. The barrel of the T-nut is in the corner post the line is the face of the wood.

# HOW A T-NUT WORKS

THE FIRST STEP IN OUR ASSEMBLY INSTRUCTIONS IS TO INSERT T-NUTS INTO THE CORNER POSTS. A T-NUT IS A FASTENER WHICH IS THREADED ON THE INSIDE AND IT FUNCTIONS JUST LIKE A STANDARD HEX NUT. YOU INSERT THE T-NUTS INTO THE PREDRILLED HOLES IN THE CORNER POSTS.

THE T-NUT HAS A BARREL SHAPED END WHICH GOES INTO THE HOLE IN THE CORNER POST. THE T-NUT ALSO HAS AN FLANGE SHAPED END WITH TEETH. THE TEETH PENETRATE INTO THE CORNER POST WOOD TO PREVENT THE T-NUT FROM SPINNING WHEN YOU TIGHTEN THE HEX HEAD BOLT.

SHOWN BELOW YOU WILL SEE THE T-NUT IS HAMMERED INTO THE CORNER POST ON THE BACK SIDE. THE BOARD IS BEING ATTACHED ON THE FRONT SIDE OF THE CORNER POST.

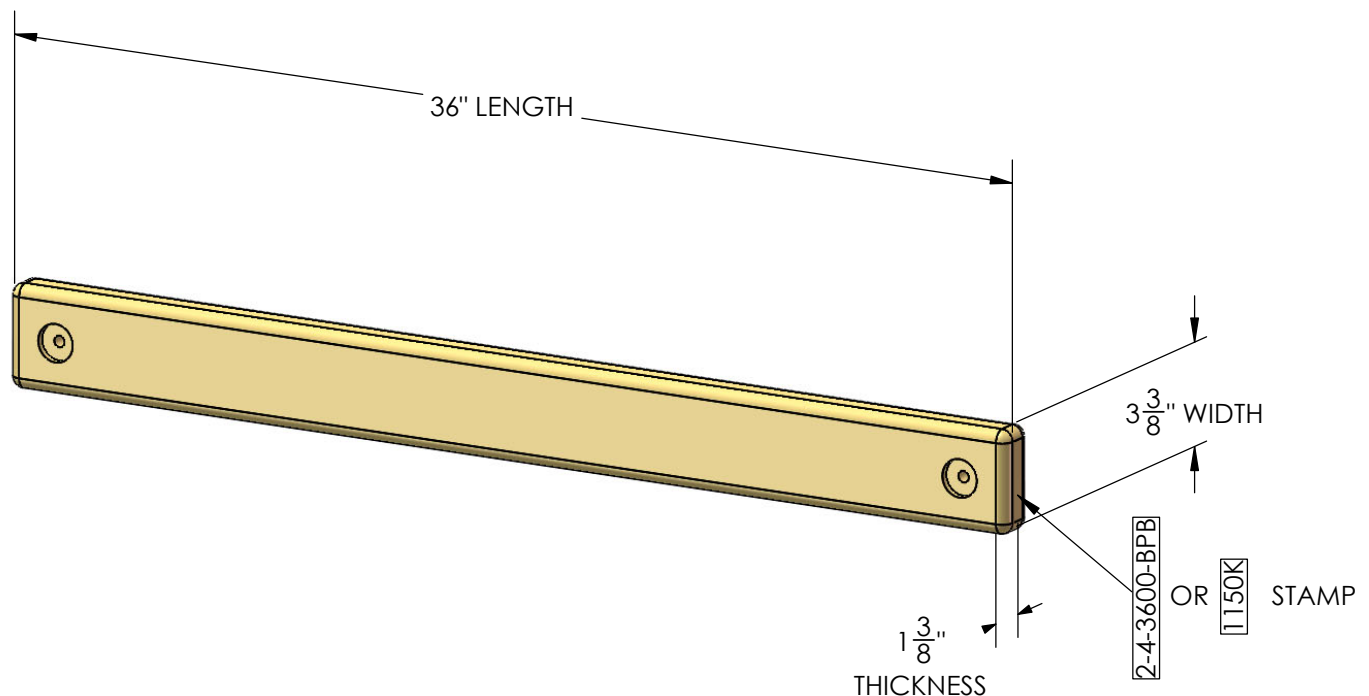


# BOARD IDENTIFICATION

1. A part number will be stamped on the end of each board.
2. On some parts this part number displays the thickness, width, length and an abbreviated description of the part. On other parts it is just a part number like 1150K

Example: a stamp reads "2-4-3600-BPB"

- The 2 is the thickness of the board. "Nominal Lumber" at a home center will measure 1-1/2" for the thickness. We "remill" that lumber to 1-3/8" thick.
- The 4 is the width of the board. "Nominal Lumber" at a home center will measure 3-1/2" for the width. We "remill" that lumber to 3-3/8" wide.  
Note: sometimes the width will be smaller than 3-3/8" because:  
A) We need the width of the part to fit into a certain area of the play set.  
B) We need the designation to be simple.
- The 3600 is the length of the board. It means the board is 36 inches long. If the code were 3625 then the board is 36-1/4" in length.
- The "BPB" abbreviation stands for "Bottom Panel Board". The wood part bill of materials in the instructions has a description which will match the abbreviation closely.
- In the event that there is no stamp on the part, measure the part then:  
A) Use the measurements and compare them to the wood list at the front of the instructions to identify it.  
B) Look at the holes on the wood part and compare them to the pictures in the wood list.  
C) Look to see if the holes are centered or if they are offset up or offset down.  
This should help you identify any parts that have missing tags. In the event that you cannot identify a board please contact us for assistance.





# PRE-DRILL LAG SCREW DIRECTIONS

Pre-drilling holes for lag screws will make it easier to drive the screws in by hand. "Jobber" length drill bits are available in sizes that are longer than standard drill bits and those are ideal for the job. When using the drill bit you will have to "spot" drill the post and then remove the board you are attaching to finish drilling the hole.

Pay attention to the *DIAMETER* of the lag screw you are installing. Your playset may come with two different diameter lag screws. Each diameter will require a different size drill bit. When installing lag screws **DO NOT OVERTIGHTEN.**

LAG SCREW DIAMETER	DRILL BIT SIZE
5/16" DIAMETER	9/64"
3/8" DIAMETER	11/64"

## Example: 3/8" diameter x 3-1/2" lag screw

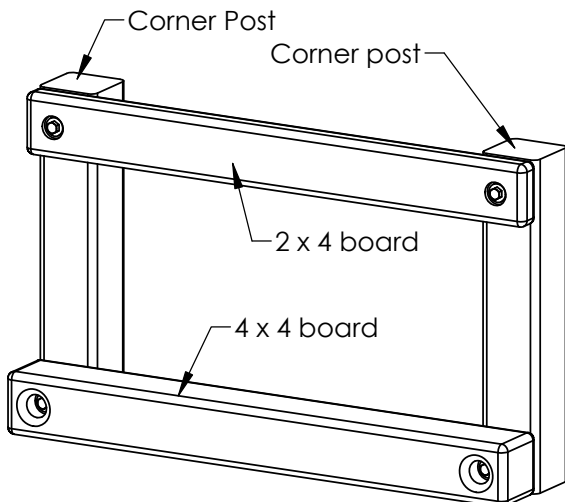
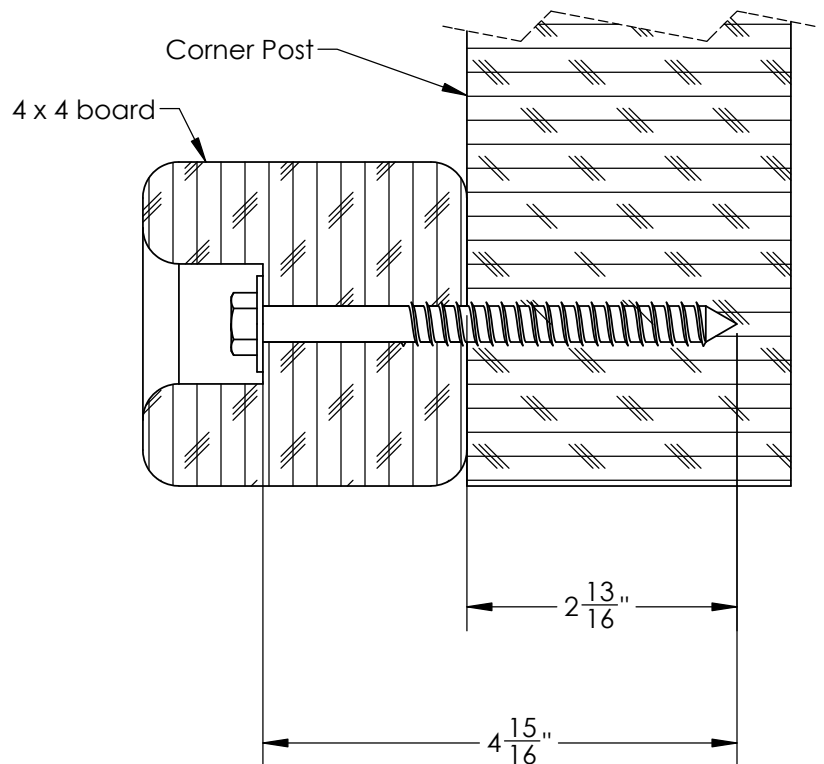
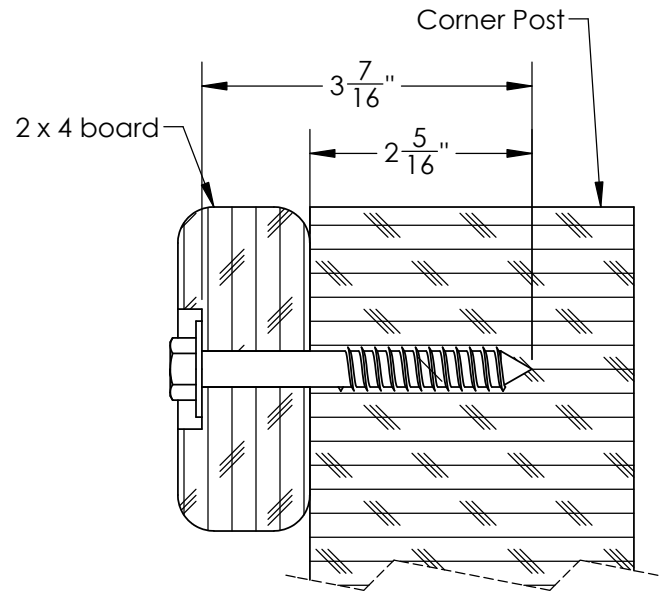
This would be like the 2 x 4 board installation shown below. Place the board into position. Spot Drill through the holes in the 2 x 4 board into the corner posts with an 11/64" drill bit. Remove the 2 x 4 board. Continue to drill the holes to a total depth of 2-5/16" as shown at the right. Install the 2 x 4 board.

## Example 5/16" diameter x 3-1/2" lag screw

This would be like the 2 x 4 board installation shown below. Place the board into position. Spot Drill through the holes in the 2 x 4 board into the corner posts with an 9/64" drill bit. Remove the 2 x 4 board. Continue to drill the holes to a total depth of 2-5/16" as shown at the right. Install the 2 x 4 board.

## Example 3/8" diameter x 5" lag screw

This would be like the 4 x 4 board installation shown below. Place the board into position. Spot drill through the holes in the 4 x 4 board into the corner posts with an 11/64" drill bit. Remove the 4 x 4 board. Continue to drill the holes to a total depth of 2-13/16" as shown at the right. Install the 4 x 4 board.



# SWING BEAM LOADING

## Weight Limits for Accessories:

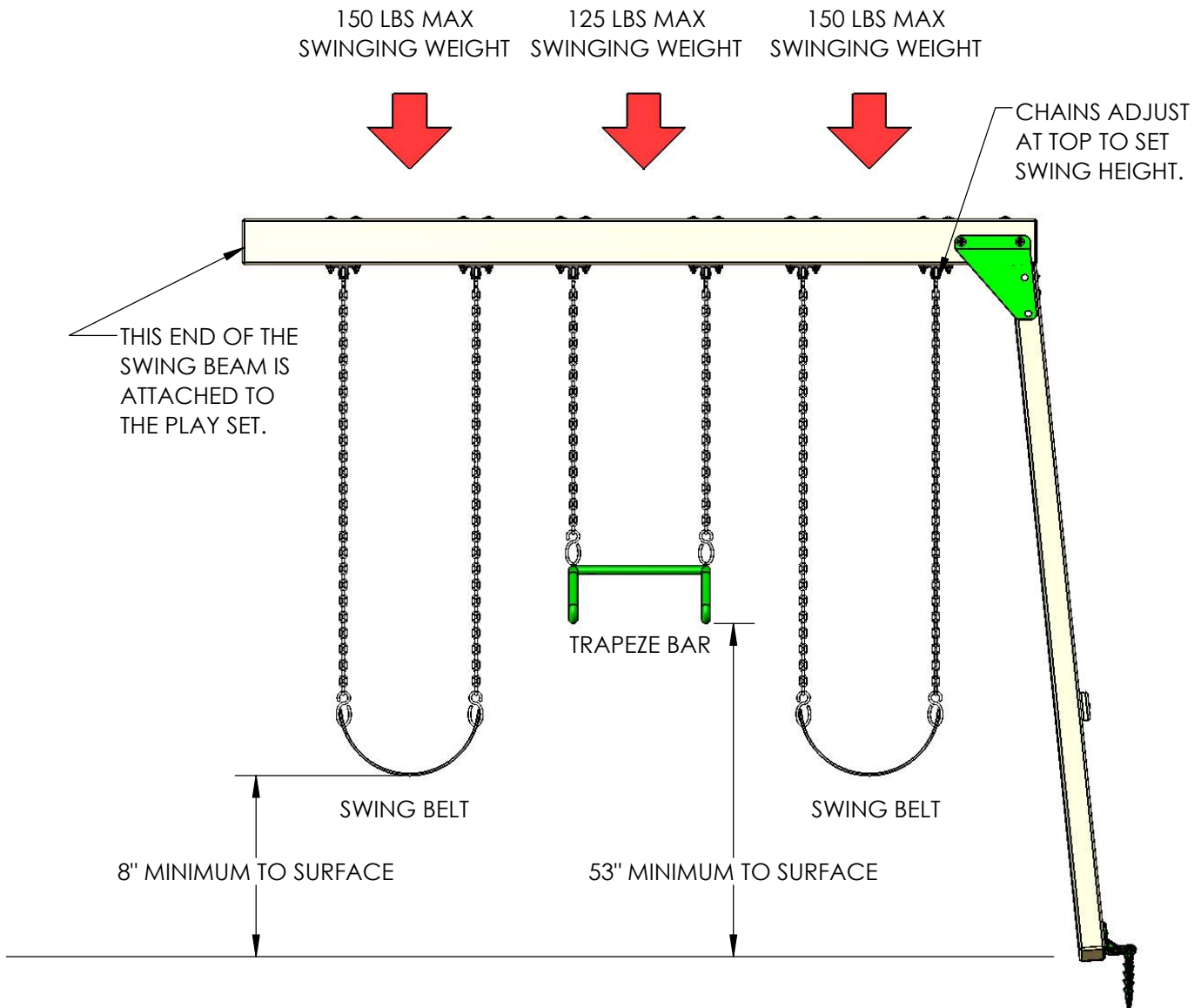
The weight limit for a Swing Belt is 225 lbs. (Although 150lbs is the maximum recommended swinging weight capacity for the swing position.)

The weight limit for a Trapeze Bar is 125 lbs.

## Maximum Allowable swinging weight for a three position swing:

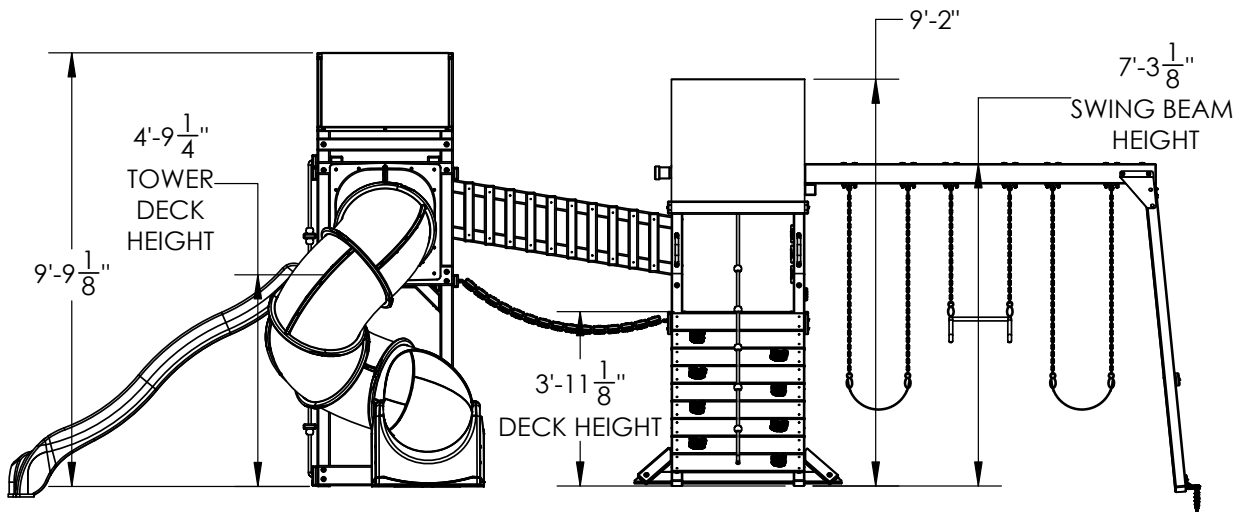
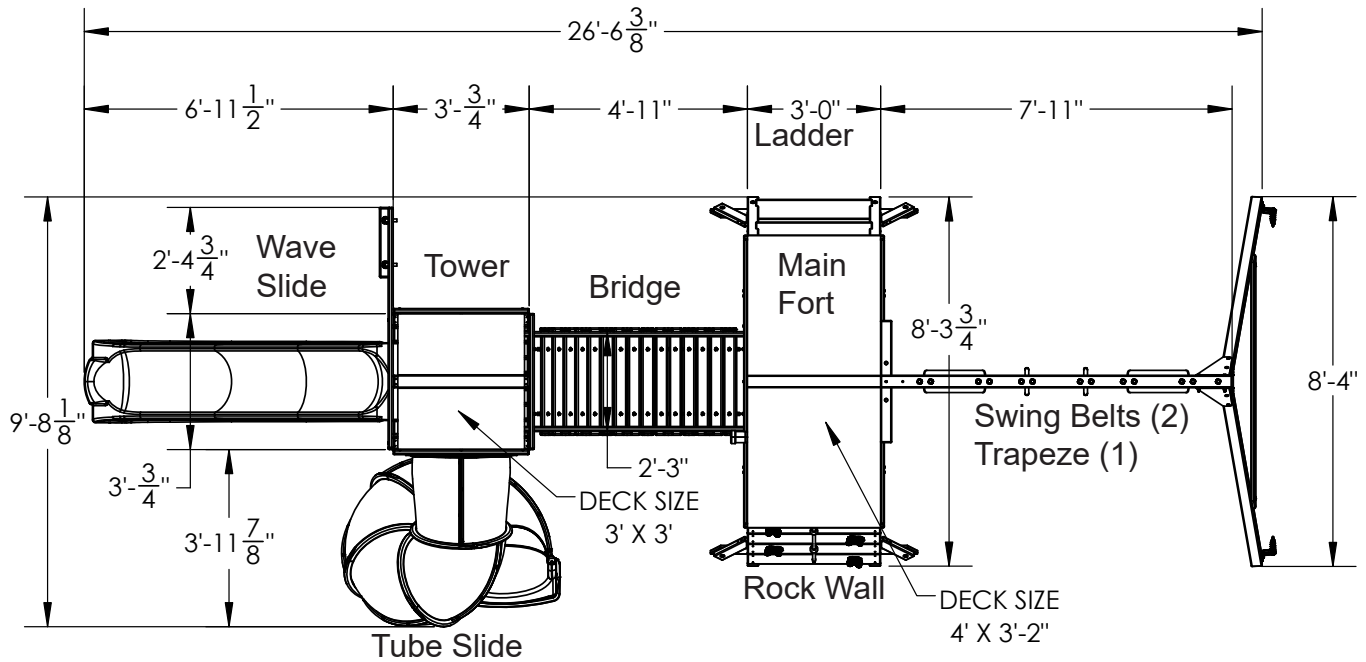
- 1) The maximum allowable swinging weight at each Swing Belt position is 150 lbs.
- 2) The maximum allowable swinging weight at the Trapeze position is 125 lbs.
- 3) The **MAXIMUM SWING BEAM LOAD IS 425 lbs.**

### **MAXIMUM SWING BEAM LOAD IS 425 LBS.**



Please familiarize yourself with the manual, parts/components and general construction process of your new playset before getting started. Choose Build Option A or Build Option B on the pages that follow.

### SITE PLAN BUILD OPTION A:

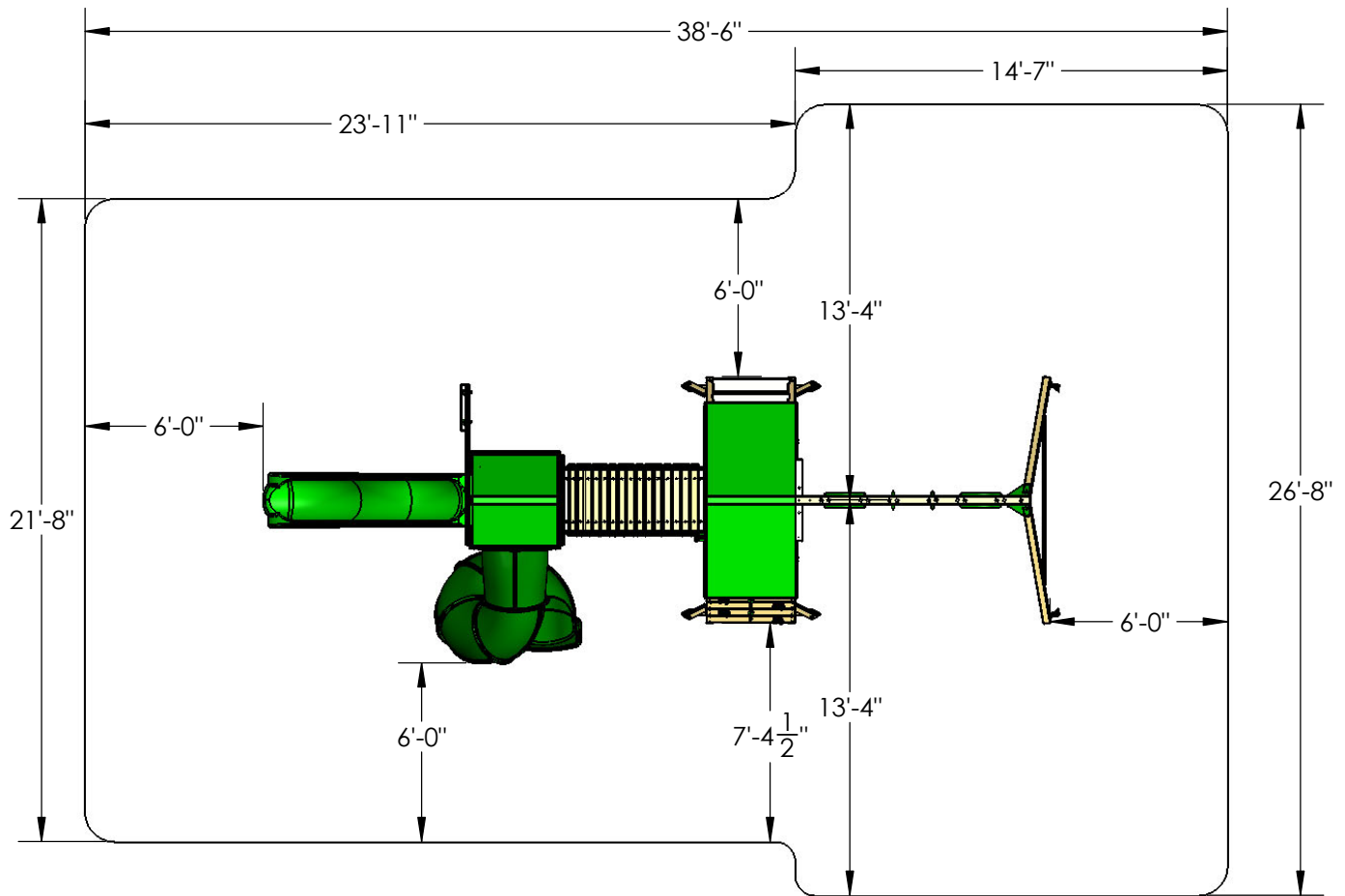


Tower height: 9'-9-1/8" max, Main Fort 9'-2"  
 Deck height: Fort ~4', Tower ~5'  
 Swing beam height: 7'-3"  
 Fall height: 4'-9-1/4"

Approximate assembly time: 10-12 hours

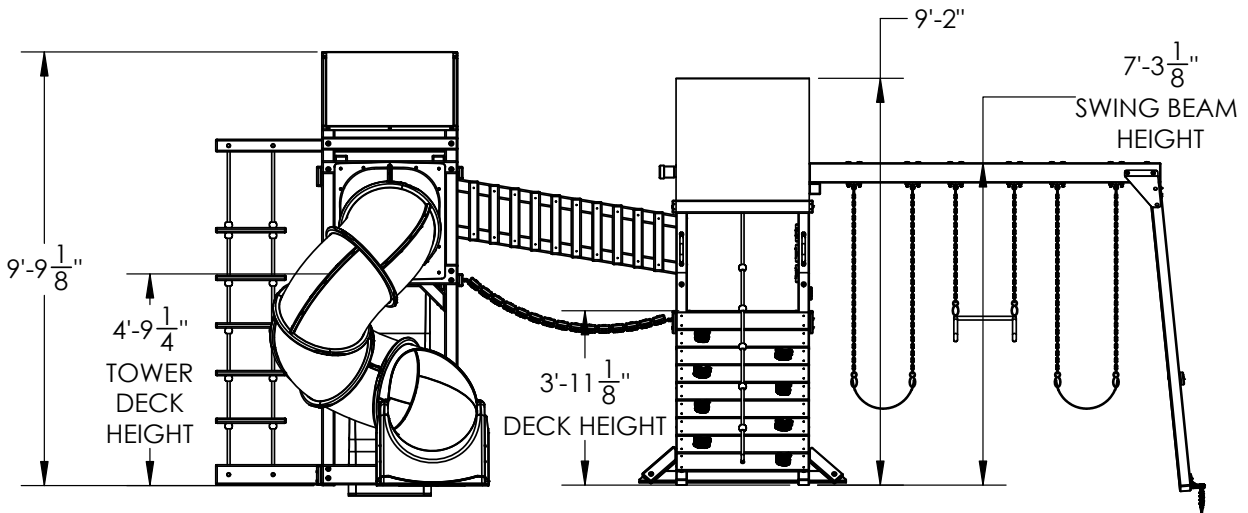
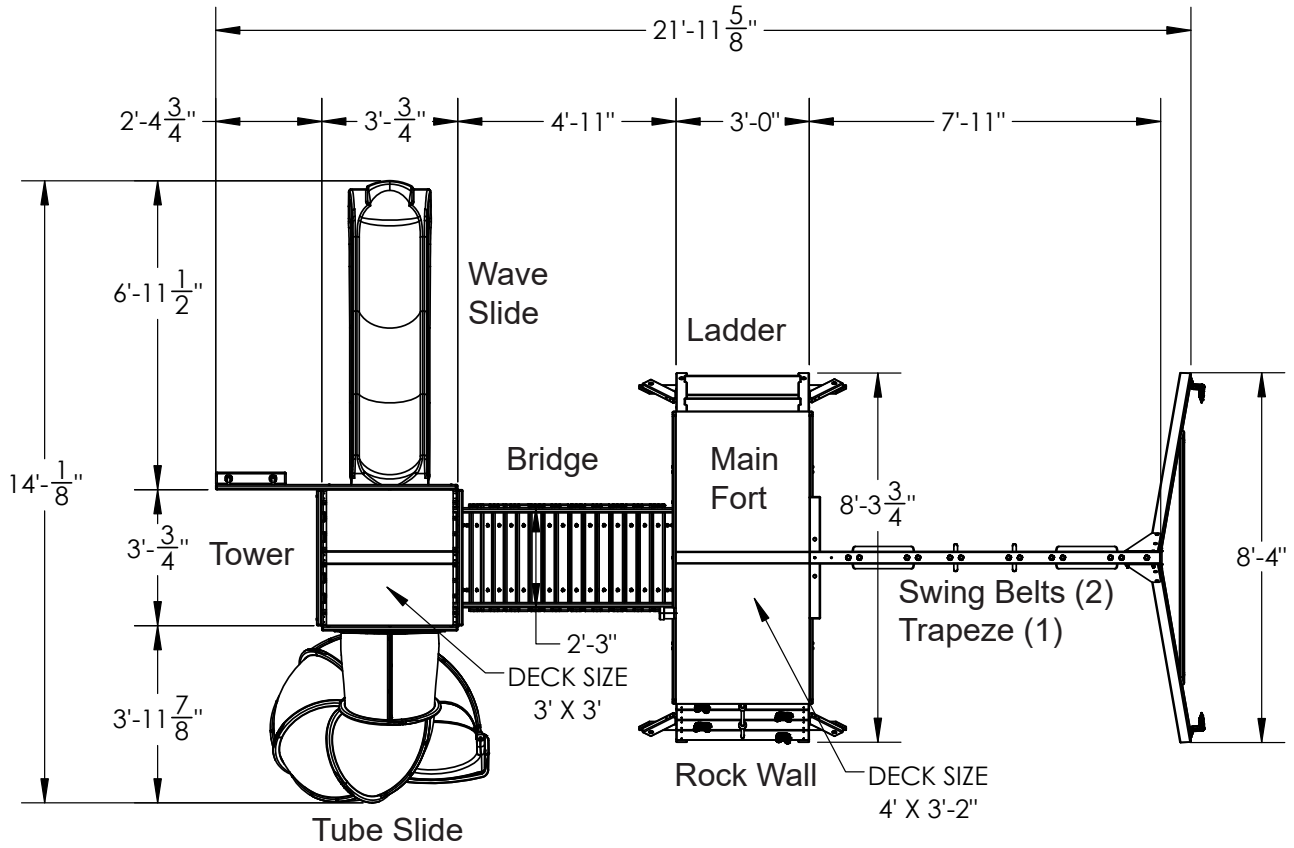
**(6) foot unobstructed safety perimeter around playset recommended**

# SAFETY ZONE - BUILD OPTION A



**(6) foot unobstructed safety perimeter around playset recommended**

**SITE PLAN BUILD OPTION B:**

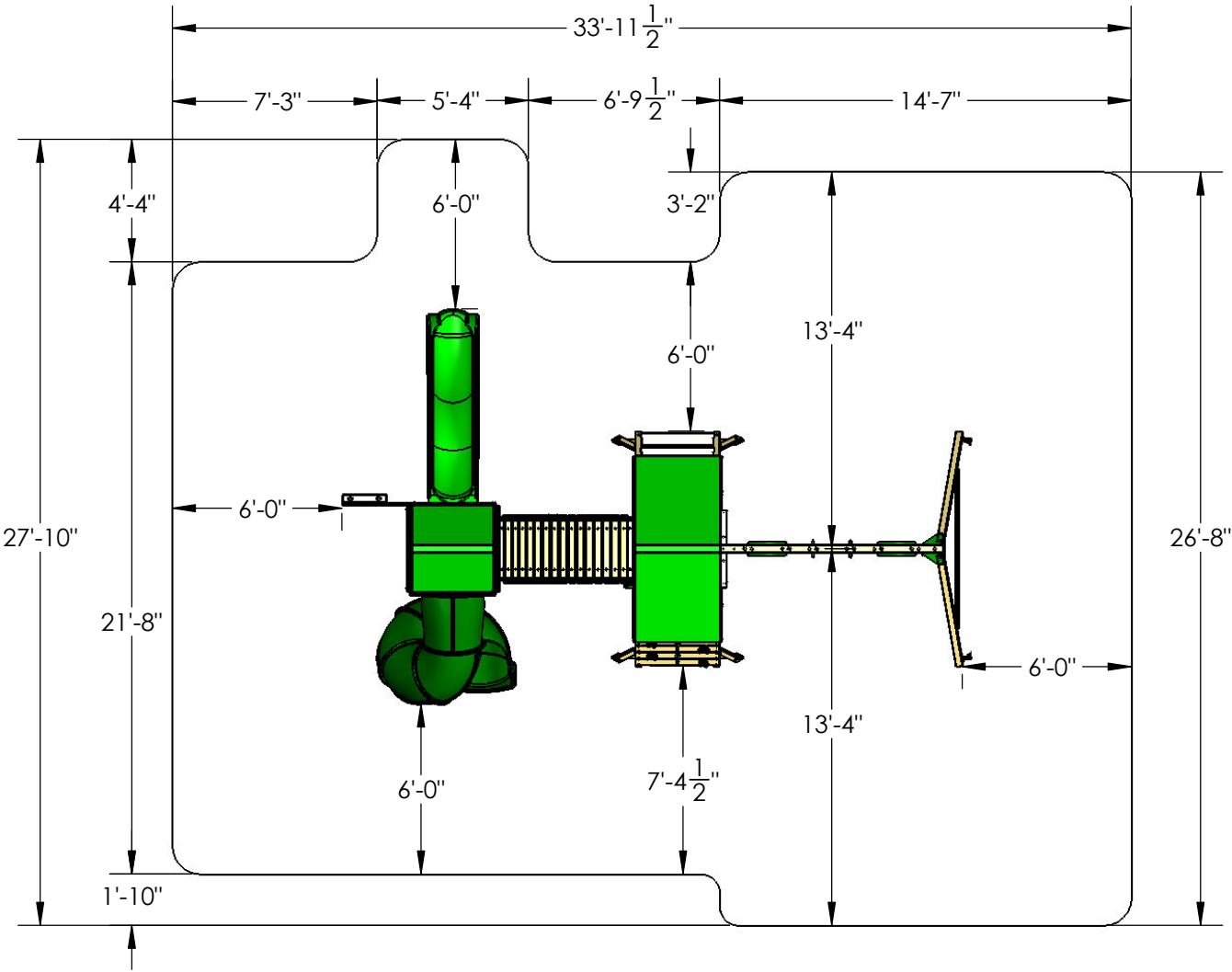


Tower height: 9'-9-1/8" max, Main Fort 9'-2"  
 Deck height: Fort ~4', Tower ~5'  
 Swing beam height: 7'-3"  
 Fall height: 4'-9-1/4"

Approximate assembly time: 10-12 hours

**(6) foot unobstructed safety perimeter around playset recommended**

# SAFETY ZONE - BUILD OPTION B



## **REQUIRED TOOL LIST:**

- \_\_\_ Standard or Cordless Drill w/ Phillips Bit (#2 square bit provided)
- \_\_\_ Drill Bits 1/8", 3/8", 9/64", 11/64" and a 7/8" Paddle style bit.
- \_\_\_ 1/2" Wrench and Socket
- \_\_\_ 1/2" Deep Well Socket
- \_\_\_ 9/16" Deep Well Socket
- \_\_\_ 9/16" Wrench and Socket
- \_\_\_ #3 Phillips bit
- \_\_\_ Level
- \_\_\_ Tape Measure
- \_\_\_ Extension Cord (if using standard drill)
- \_\_\_ Hammer
- \_\_\_ Pencil
- \_\_\_ Locking Pliers (Vise Grips)
- \_\_\_ Quick Square
- \_\_\_ Quick grip clamps (2)
- \_\_\_ Shovel

## **KIT CONTENTS:**

### **Swings, Slides, Accessories:**

- | ___ (Qty ) | Description                       |
|------------|-----------------------------------|
| ___ (2)    | Swingbelts w/ Chains              |
| ___ (1)    | Trapeze Swing                     |
| ___ (1)    | Wave Slide                        |
| ___ (1)    | Tube Slide                        |
| ___ (8)    | Rock Wall Grips (assorted colors) |
| ___ (1)    | Punching Ball                     |
| ___ (1)    | Tic Tac Toe panel                 |
| ___ (1)    | Telescope                         |
| ___ (3)    | Plastic Safety Handles (pair)     |
| ___ (1)    | Safety Warning Plate              |
| ___ (1)    | Logo Plate                        |
| ___ (1)    | Tarp                              |
| ___ (1)    | Bridge Tower Tarp                 |
| ___ (1)    | Bridge mesh panels (pair)         |
| ___ (1)    | Assembly Manual                   |

### **Fort Hardware:**

*see following pages*

### **Swing Beam Hardware:**

*see following pages*

### **Wood Components:**

*see following pages*

#8 X 1-1/4"  
 WOOD SCREW 1325Z  
 QTY: 28



#8 X 1-1/2"  
 WOOD SCREW 1701Z  
 QTY: 33



#8 X 2"  
 WOOD SCREW 1342Z  
 QTY: 78



#8 X 2-1/2"  
 WOOD SCREW 1327Z  
 QTY: 32



#8 X 3"  
 WOOD SCREW 1077Z  
 QTY: 12



#8 X 3-1/2"  
 WOOD SCREW 1721Z  
 QTY: 22



#14 X 1"  
 PAN HEAD  
 SCREW 1711Z  
 QTY: 6



#14 X 1-1/2"  
 PAN HEAD  
 SCREW 1712Z  
 QTY: 3



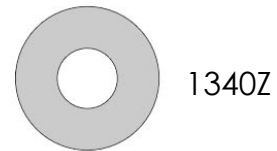
#14 X 2-1/2"  
 PAN HEAD  
 SCREW 1329Z  
 QTY: 2



1/4" SPLIT  
 LOCK WASHER 1341Z  
 QTY: 2



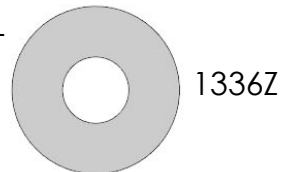
1/4" FLAT  
 WASHER 1340Z  
 QTY: 6



5/16" SPLIT  
 LOCK WASHER 1332Z  
 QTY: 44



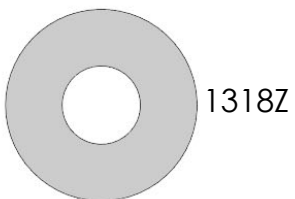
5/16" FLAT  
 WASHER 1336Z  
 QTY: 44



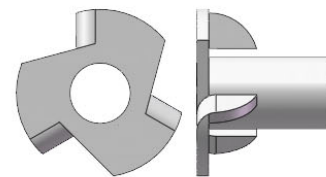
3/8" LOCK  
 NUT 1320Z  
 QTY: 30



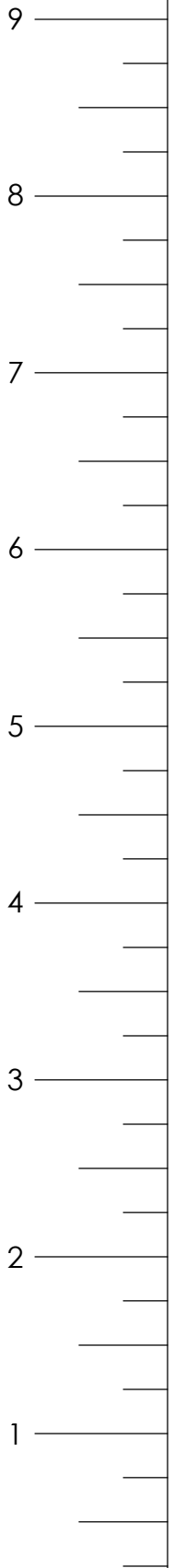
3/8" FLAT  
 WASHER 1318Z  
 QTY: 32



#2 SQUARE  
 DRIVE BIT FS 2824  
 QTY: 1



5/16" T-NUT  
 QTY: 41  
 1381Z



USE THE RULER TO THE RIGHT TO MEASURE YOUR BOLTS AND SCREWS. PICTURE VIEWS SHOWN ABOVE ARE 1:1 SCALE AND CAN BE USED TO MATCH BOLT AND SCREW SIZES.





3/8" X 8-1/2"  
 CARRIAGE BOLT  
 QTY: 1



3/8" X 6-1/2"  
 CARRIAGE BOLT  
 QTY: 14



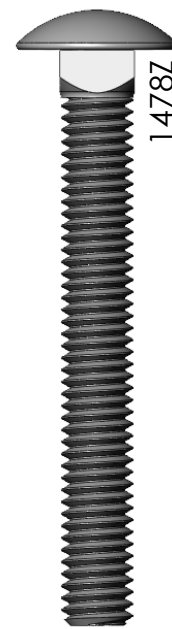
3/8" X 6"  
 CARRIAGE BOLT  
 QTY: 2



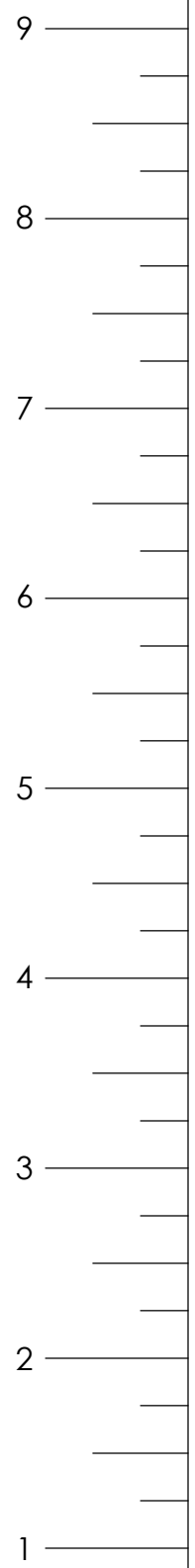
3/8" X 4-1/2"  
 CARRIAGE BOLT  
 QTY: 2



3/8" X 3-3/4"  
 CARRIAGE BOLT  
 QTY: 6



3/8" X 3"  
 CARRIAGE BOLT  
 QTY: 4



USE THE RULER TO THE RIGHT TO MEASURE YOUR BOLTS AND SCREWS. PICTURE VIEWS SHOWN ABOVE ARE 1:1 SCALE AND CAN BE USED TO MATCH BOLT AND SCREW SIZES.

**11-0096**

1150 Hardware

PAGE 3 OF 3

3/9/2022 JH

5/16" X 5-1/2"  
HEX BOLT  
QTY: 4



9

5/16" X 4-1/2"  
HEX BOLT  
QTY: 16



8

5/16" X 4"  
HEX BOLT  
QTY: 2



7

5/16" X 3-3/4"  
HEX BOLT  
QTY: 12



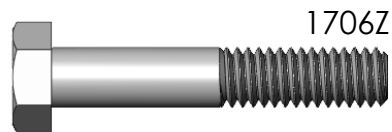
6

5/16" X 2"  
HEX BOLT  
QTY: 4



5

5/16" X 1-3/4"  
HEX BOLT  
QTY: 2



4

3

2

1

USE THE RULER TO THE RIGHT TO MEASURE YOUR BOLTS AND SCREWS. PICTURE VIEWS SHOWN ABOVE ARE 1:1 SCALE AND CAN BE USED TO MATCH BOLT AND SCREW SIZES.

#8 X 2"  
 WOOD SCREW 1342Z  
 QTY: 8



#8 X 2-1/2"  
 WOOD SCREW 1327Z  
 QTY: 40



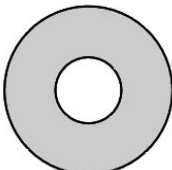
#8 X 3"  
 WOOD SCREW 1077Z  
 QTY: 8



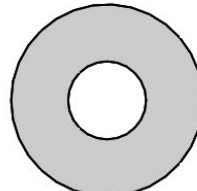
5/16" X 3-3/4"  
 HEX BOLT 1705Z  
 QTY: 2



5/16" FLAT  
 WASHER 1336Z  
 QTY: 8



3/8" FLAT  
 WASHER 1318Z  
 QTY: 4



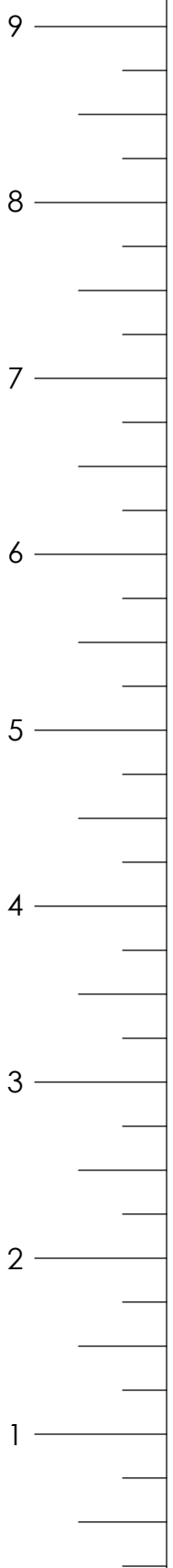
5/16" X 3-1/2"  
 LAG SCREW 1741Z  
 QTY: 8



#14 X 1-1/4"  
 TRUSS HEAD  
 SCREW FS 2897  
 QTY: 4

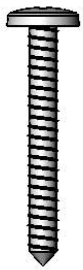


3/8 X 5"  
 LAG  
 SCREW 11-3105  
 QTY: 4



USE THE RULER TO THE RIGHT TO MEASURE YOUR BOLTS AND SCREWS. PICTURE VIEWS SHOWN ABOVE ARE 1:1 SCALE AND CAN BE USED TO MATCH BOLT AND SCREW SIZES.

11-0071  
 1509N HARDWARE  
 PAGE: 1 OF 1  
 REV A: 9/19/2014 JH



#14 x 1-1/4"  
 PAN HEAD SCREW  
 QTY: 6

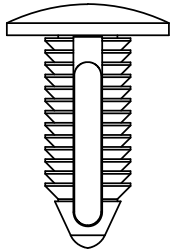
#8 X 2"  
 WOOD SCREW  
 QTY: 94



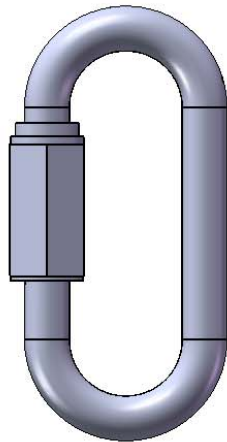
#8 X 2-1/2"  
 WOOD SCREW  
 QTY: 18



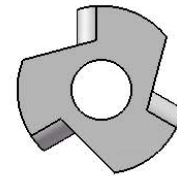
#8 X 3"  
 WOOD SCREW  
 QTY: 5



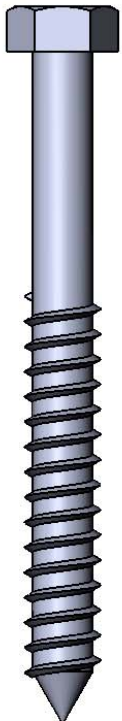
3/8"  $\phi$  X 1-1/8"  
 BLACK PLASTIC  
 PLUG  
 QTY: 4



QUICK LINK  
 QTY: 2



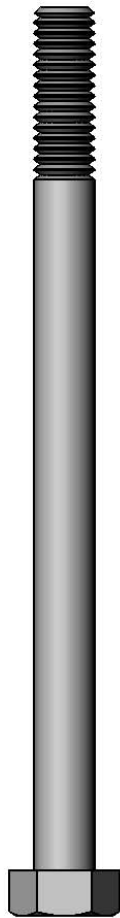
5/16" TEE NUT  
 QTY: 55



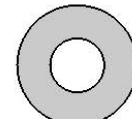
5/16" X 3-1/2"  
 HEX LAG  
 SCREW  
 QTY: 26



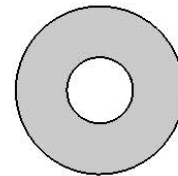
5/16 X 1-3/4"  
 HEX BOLT  
 QTY: 30



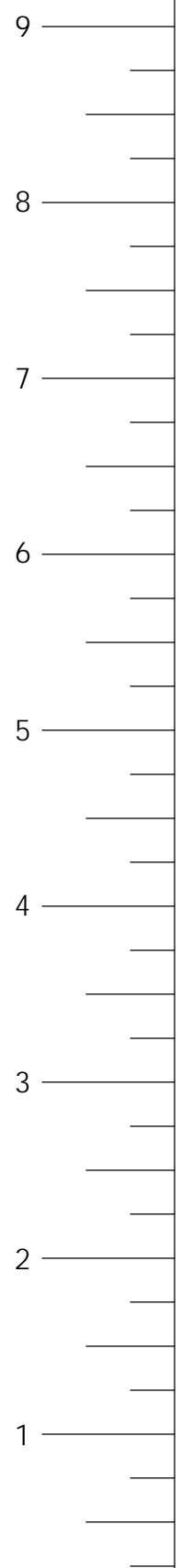
5/16 X 4-1/2"  
 HEX BOLT  
 QTY: 25



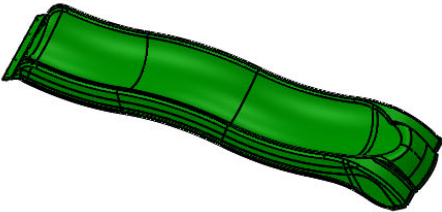
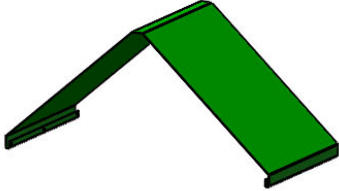


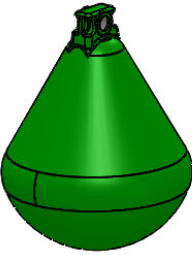


1/4" WASHER  
 QTY: 6



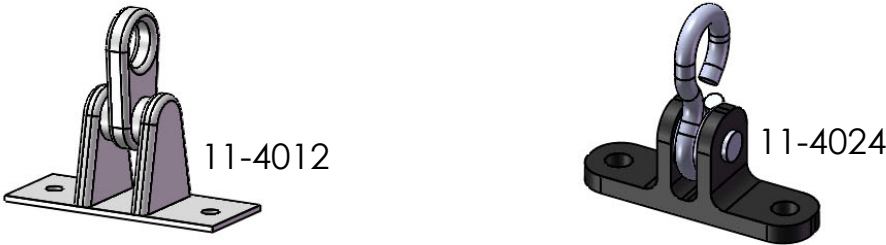


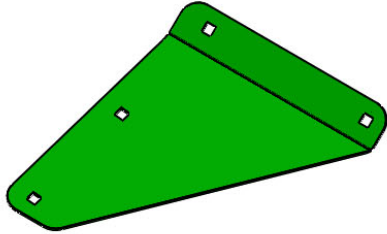
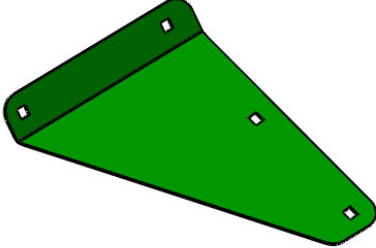
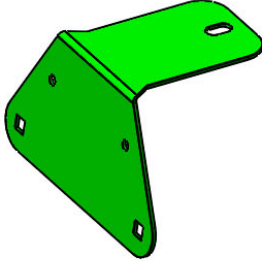
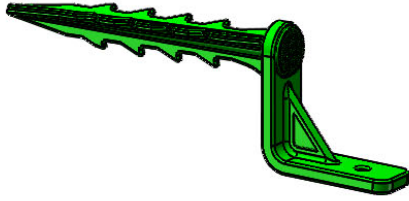
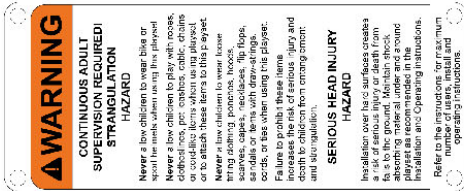
5/16" WASHER  
 QTY: 111


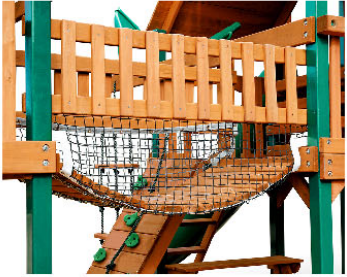
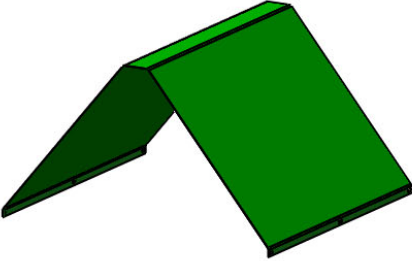
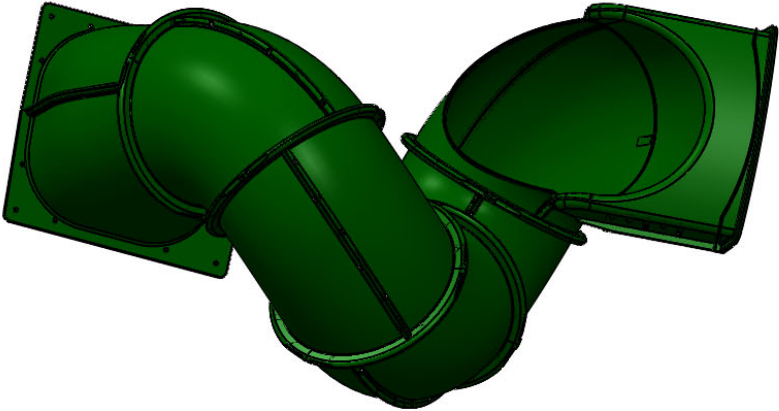


USE THE RULER TO THE RIGHT TO MEASURE YOUR BOLTS AND SCREWS. PICTURE VIEWS SHOWN ABOVE ARE 1:1 SCALE AND CAN BE USED TO MATCH BOLT AND SCREW SIZES.

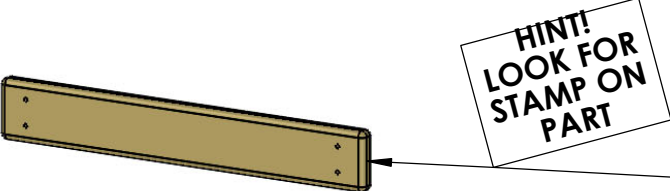
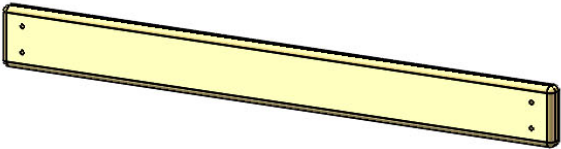
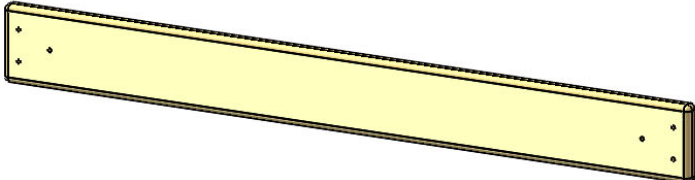
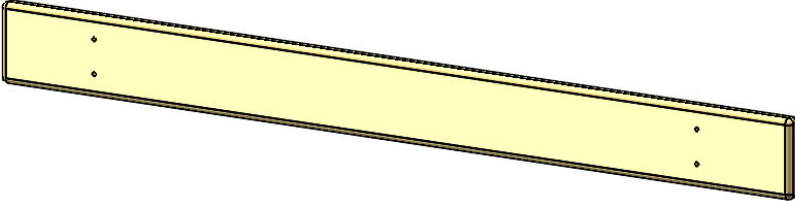
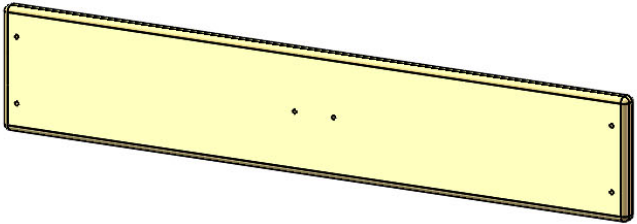
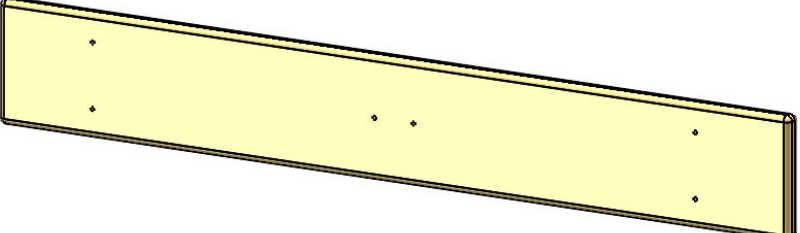
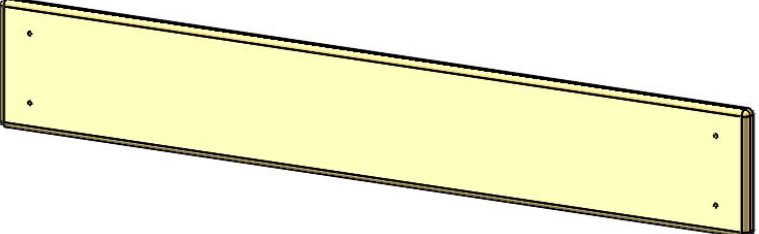
PICTURE	DESCRIPTION	QTY.
	WAVE SLIDE	1
	36" X 117" TARP <b>05-0008</b>	1
	SWING BELT WITH CHAINS	2
	TRAPEZE SWING WITH CHAINS	1
	PUNCHING BALL <b>04-0027-G</b>	1
	TIC TAC TOE (UNASSEMBLED) <b>07-0010</b>	1
	TELESCOPE W/ COMPASS	1

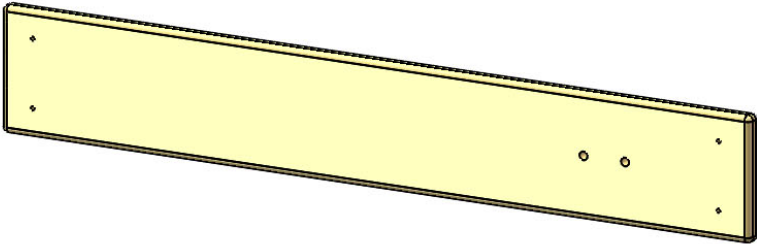
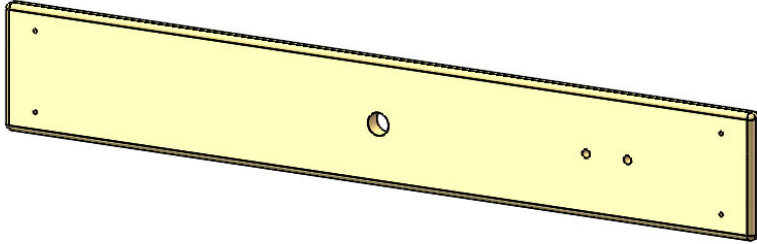
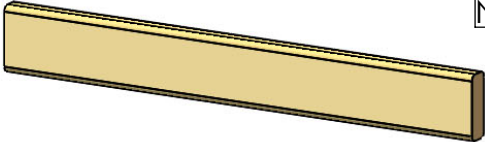
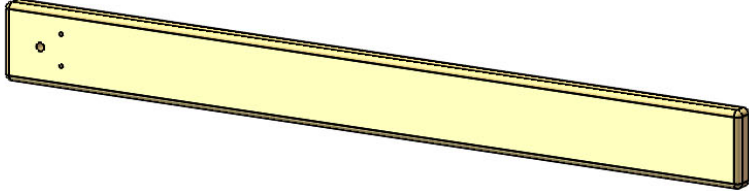
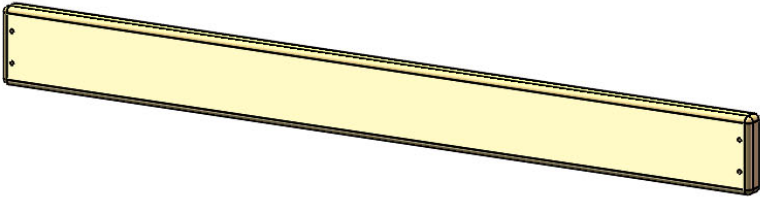
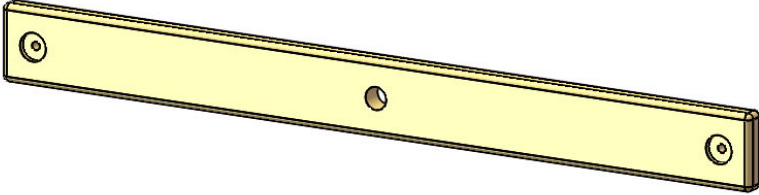
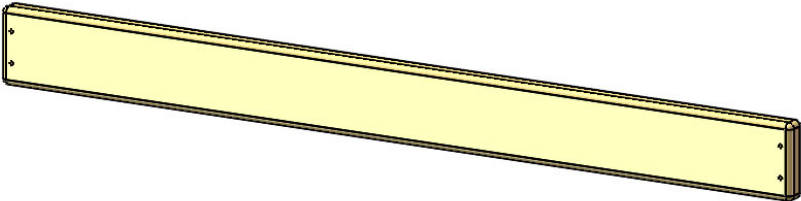
PICTURE	DESCRIPTION	QTY.
	PLASTIC SAFETY HANDLES (PAIR) <b>07-0005-G</b>	<b>3</b> pr
	ROCK WALL ROCKS (COLOR & SIZE MAY VARY) <b>07-0038-G/Y</b> <b>WS 4545</b>	<b>8</b> rocks
	SPRING CLIP <b>11-4003</b>	<b>1</b>
(CHAIN NOT SHOWN)	CHAIN <b>08-1002</b>	<b>1</b> ft
	IRON DUCTILE SWING HANGER <b>11-4012</b>  IRON DUCTILE SWING HANGER <b>11-4024</b>	<b>1</b>  <b>6</b>
(3/4" DIAMETER ROPE NOT SHOWN)	10 FT. ROPE <b>10-1007</b>  13 FT. ROPE- <b>10-1008</b> <b>SA 3119</b>	<b>1</b> PC.  <b>2</b> PCS.
	SWING BEAM PLATE <b>11-5025</b> <b>2411</b>	<b>1</b>

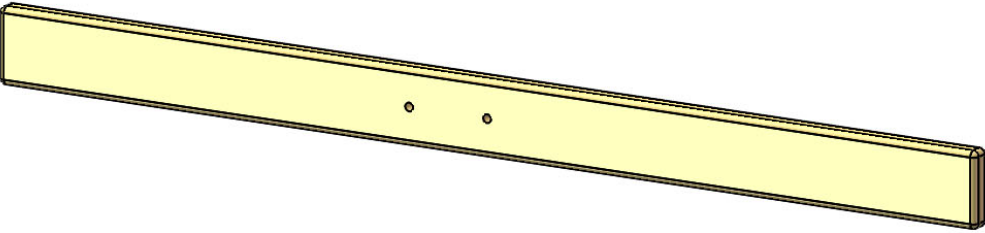
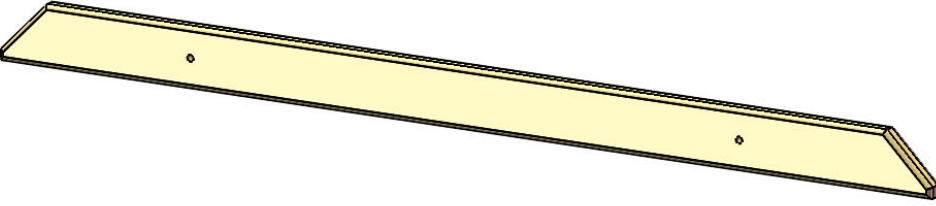
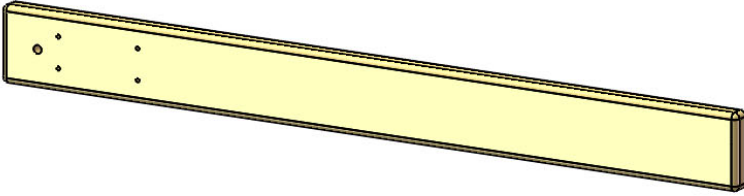
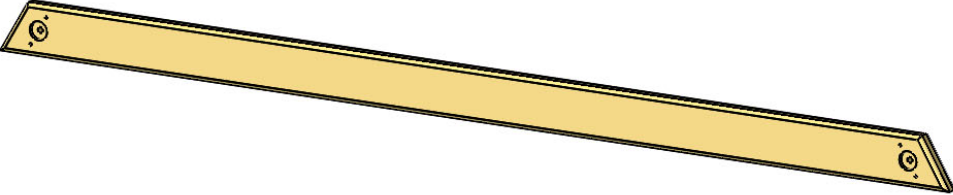
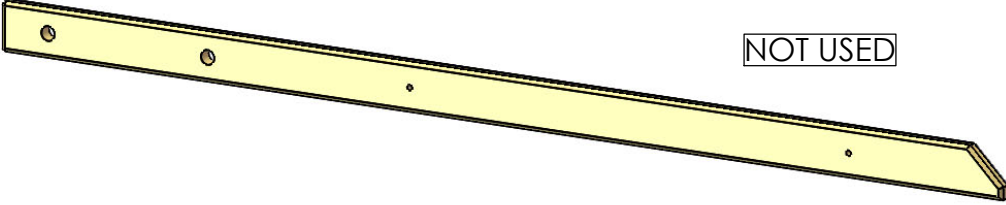
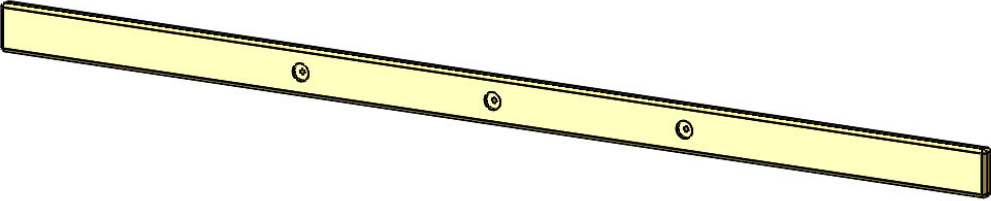
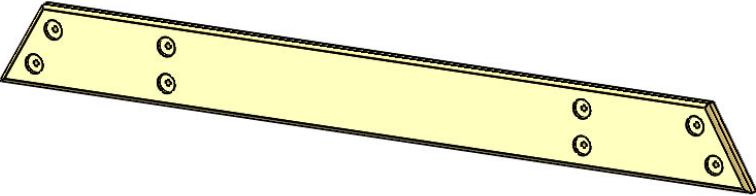
PICTURE	DESCRIPTION	QTY.
	SWING BEAM ANGLED PLATE RIGHT <b>11-5019</b> <b>2447</b>	1
	SWING BEAM ANGLED PLATE LEFT <b>11-5020</b> <b>2448</b>	1
	SWING BEAM 90° PLATE <b>11-5021</b> <b>2449</b>	1
	PLASTIC GROUND STAKES (PAIR) <b>07-0016-P</b>	1 pr
(NOT SHOWN)	LOGO PLATE <b>11-4018</b>	1
	SAFETY WARNING PLATE <b>11-5023</b> <b>SA 4294</b>	1
(NOT SHOWN)	1150 HARDWARE KIT <b>11-0096</b>	1

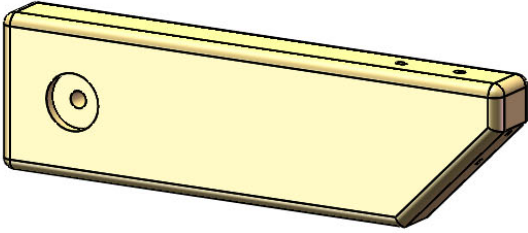
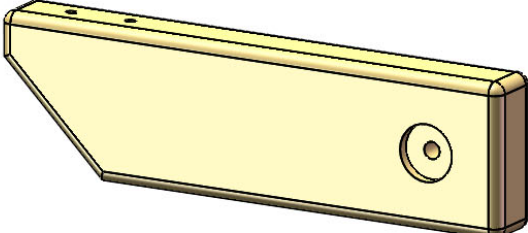
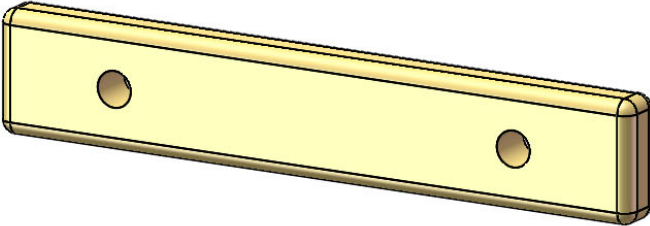
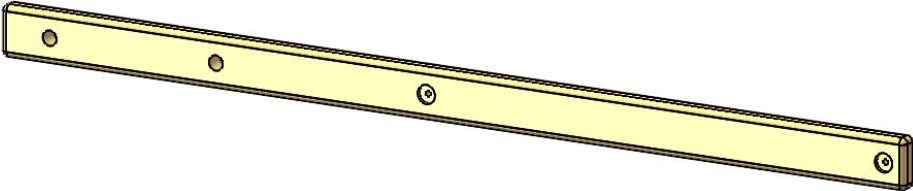
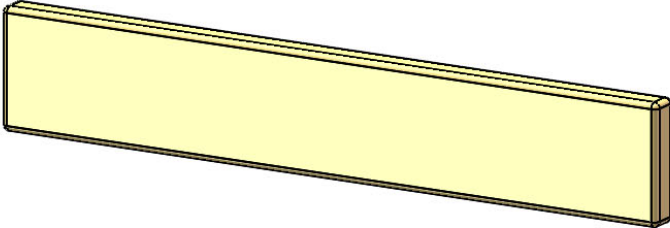
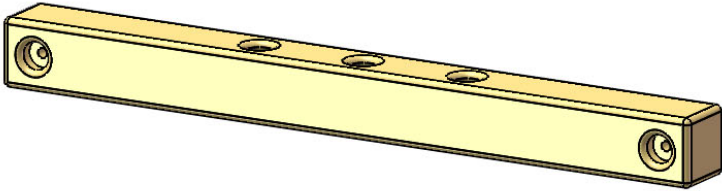
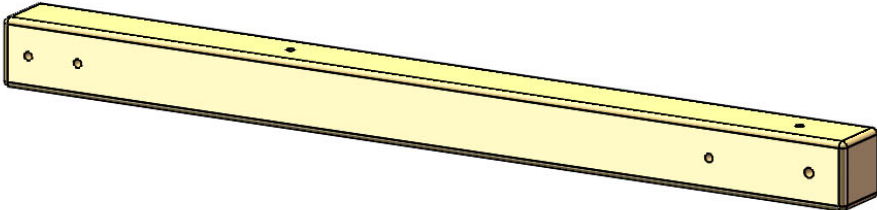
PICTURE	DESCRIPTION	QTY.
(NOT SHOWN - inside 1155 wood box)	1155 HARDWARE KIT <b>11-0129</b>	1
(NOT SHOWN - inside 1509N wood box)	1509N HARDWARE KIT <b>11-0071</b>	1
	CHAIN 8' <b>08-1006</b> (INSIDE 1500H BOX)	2
	CLATTER BRIDGE MESH PANELS <b>06-2004</b> (INSIDE 1500H BOX)	1 pr
	CLATTER BRIDGE TARP 34.5" X 57.5" <b>05-1012</b>	1
	5' QUICK CONNECT TURBO SLIDE <b>03-0031-G</b>	1

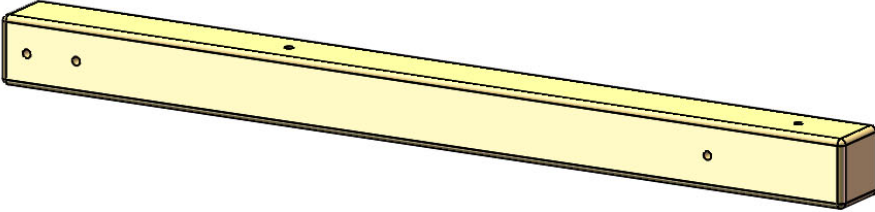
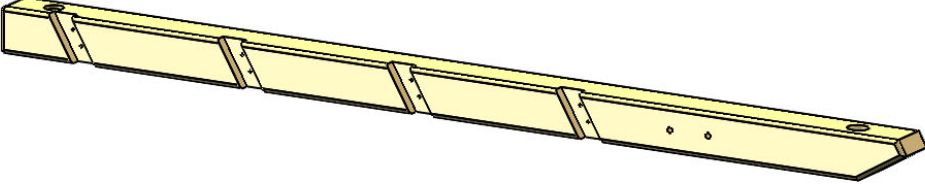
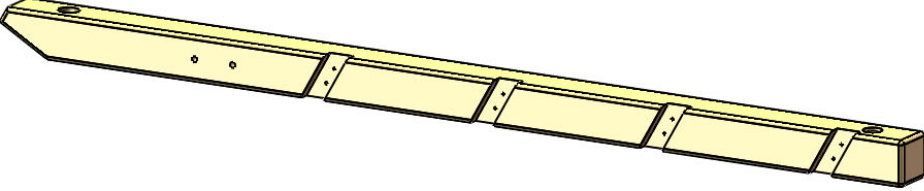
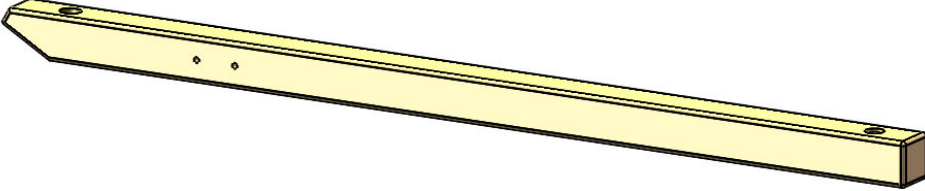
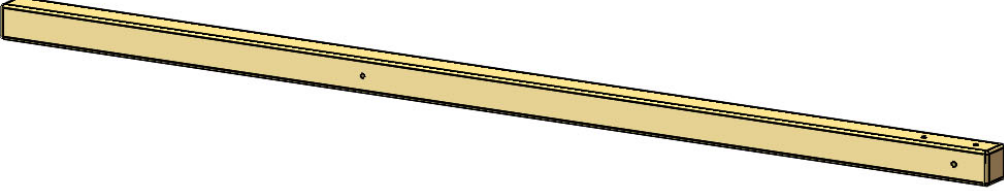
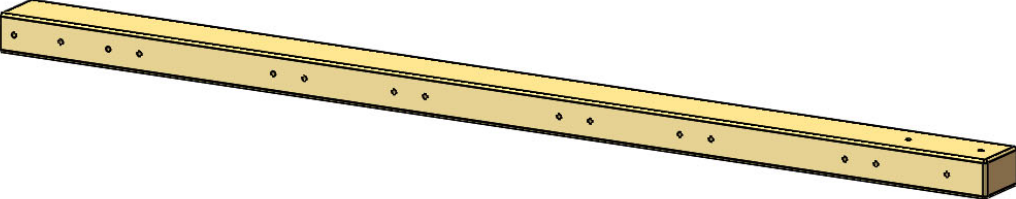


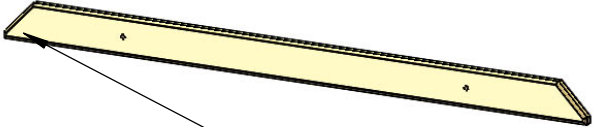
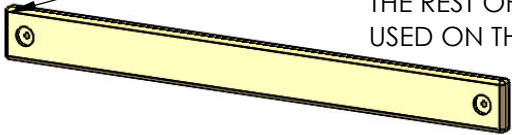
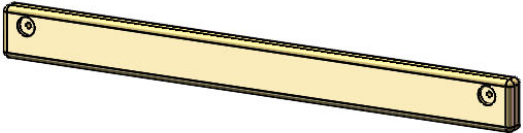
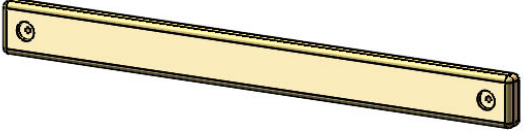
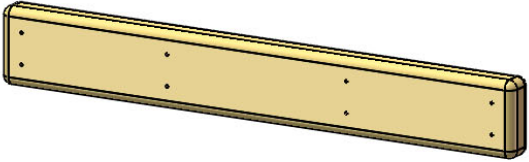
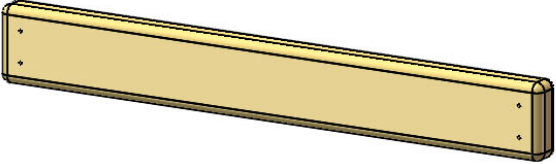
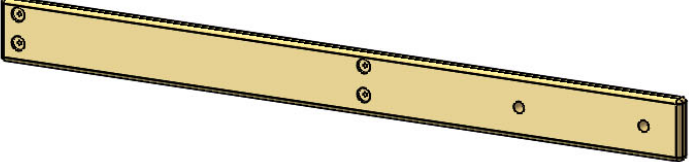
	PICTURE	STAMPED ID & DESCRIPTION	QTY.
1150		1 X 3 X 17-1/2" TIC TAC TOE MOUNT <b>1150AG</b>	2
		1 X 3 X 26-1/2" PANEL SLAT <b>1150A</b>	4
		1 X 4 X 33" REAR BOTTOM PANEL BOARD <b>1150B</b>	1
		1 X 4 X 38" CENTER DECK BOARD <b>1150C</b>	1
		1 X 6 X 30" DECK SPACER <b>1150D</b>	4
		1 X 6 X 38" DECK BOARD <b>1150E</b>	4
		1 X 6 X 36" ROCK WALL SPACER BOARD <b>1150F</b>	1

PICTURE	STAMPED ID & DESCRIPTION	QTY.
	<p>1 X 6 X 36" ROCK WALL BOARD <b>1150G</b></p>	<p>7</p>
	<p>1 X 6 X 36" BOTTOM ROCK WALL BOARD <b>1150H</b></p>	<p>1</p>
 <p data-bbox="854 726 1008 758">NOT USED</p>	<p>5/4 X 3 X 22-1/2" SLIDE BLOCK <b>1150AH</b></p>	<p>1</p>
	<p>5/4 X 4 X 35-3/8" FRONT CENTER POST <b>1150I</b></p>	<p>1</p>
	<p>5/4 X 4 X 36" CENTER TARP BOARD <b>1150J</b></p>	<p>1</p>
	<p>5/4 X 4 X 36" ROCK WALL ROPE SUPPORT <b>1150K</b></p>	<p>1</p>
	<p>5/4 X 4 X 38" TARP BOARD <b>1150L</b></p>	<p>2</p>

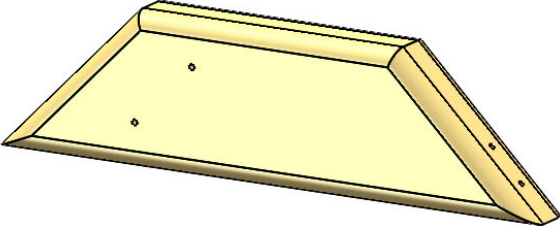
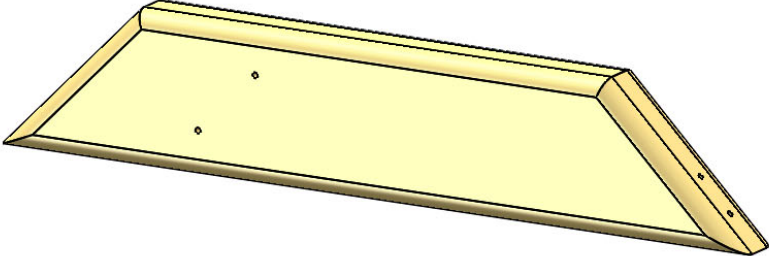
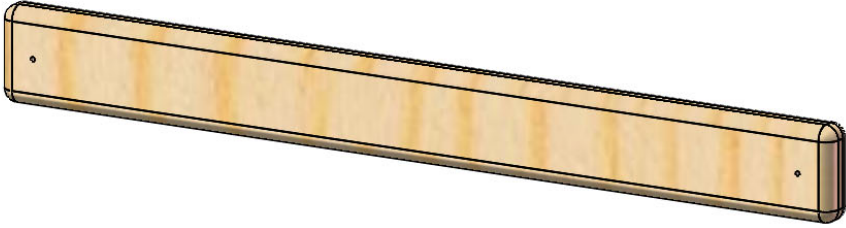
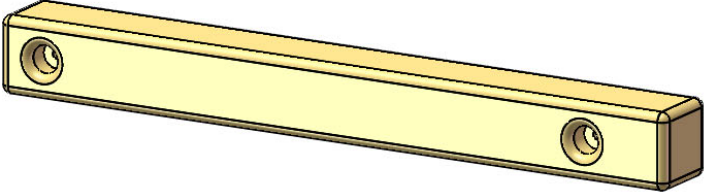
PICTURE	STAMPED ID & DESCRIPTION	QTY.
	5/4 X 4 X 47" CENTER DECK SUPPORT <b>1150M</b>	1
	5/4 X 4 X 56" ROCK WALL BOTTOM SUPPORT <b>1150N</b>	1
	5/4 X 4 X 35-38" REAR CENTER POST <b>1150O</b>	1
	5/4 X 4 X 68-1/2" CROSS MEMBER <b>1150P</b>	1
 <p style="text-align: center;">NOT USED</p>	5/4 X 4 X 75-3/16" ROPE LADDER RUNNER <b>1150Q</b>	1
	5/4 X 4 X 77" SIDE RAIL <b>1150R</b>	2
	5/4 X 6 X 54-1/4" FORT SUPPORT <b>1150S</b>	4

PICTURE	STAMPED ID & DESCRIPTION	QTY.
	2 X 4 X 12" ANGLE SUPPORT LEFT SIDE <b>1150T</b>	2
	2 X 4 X 12" ANGLE SUPPORT RIGHT SIDE <b>1150U</b>	2
	2 X 4 X 19" ROPE LADDER STEP <b>1150V</b>	5
	2 X 4 X 65-3/16" ROPE LADDER SUPPORT <b>1150W</b>	1
	2 X 6 X 31-1/2" STEP <b>1150X</b>	4
	3 X 3 X 33" SWING BEAM MOUNT <b>1150Y</b>	1
	3 X 3 X 40-1/2" CORNER POST RIGHT <b>1150Z</b>	2

PICTURE	STAMPED ID & DESCRIPTION	QTY.
	3 X 3 X 40-1/2" CORNER POST LEFT <b>1150AA</b>	2
	3 X 3 X 65-1/4" LADDER LEFT SIDE <b>1150AB</b>	1
	3 X 3 X 65-1/4" LADDER RIGHT SIDE <b>1150AC</b>	1
	3 X 3 X 65-1/4" ROCK WALL SIDE <b>1150AD</b>	2
	3 X 3 X 95" SWING LEG <b>1150AE</b>	2
	4 X 6 X 95" SWING BEAM <b>1150AF</b>	1
		33

1155	PICTURE	STAMPED ID & DESCRIPTION	QTY.
1155		5/4 X 4 X 56" BOTTOM SUPPORT <b>1155A</b>	1
	 <p data-bbox="699 401 1114 527">THESE 2 PARTS ARE USED FOR THE MAIN FORT. THE REST OF THE 1155 PARTS ARE USED ON THE BRIDGE TOWER.</p>	5/4 X 4 X 36" UPPER RAIL <b>1155B</b>	1
		2 X 4 X 36-3/4" TOP FRAME BOARD <b>1155C</b>	1
		2 X 4 X 36-3/4" TOP PANEL BOARD <b>1155D</b>	1
		2 X 4 X 24-5/8" FILLER BOARD <b>1155E</b>	2
		2 X 4 X 26" SPACER BOARD <b>1155F</b>	2
		2 X 6 X 65-7/16" ROPE LADDER RUNNER <b>1155G</b>	1



PICTURE	STAMPED ID & DESCRIPTION	QTY.
	2 X 4 X 13" ANGLE SUPPORT <b>1155H</b>	4
	2 X 4 X 18" ANGLE SUPPORT <b>1155I</b>	4
	5/4 X 3 X 25" PANEL SLAT <b>1155J</b>	1
	4 X 4 X 32" LAG POST 4-4-3200-R5P <b>1155K</b>	2
		35

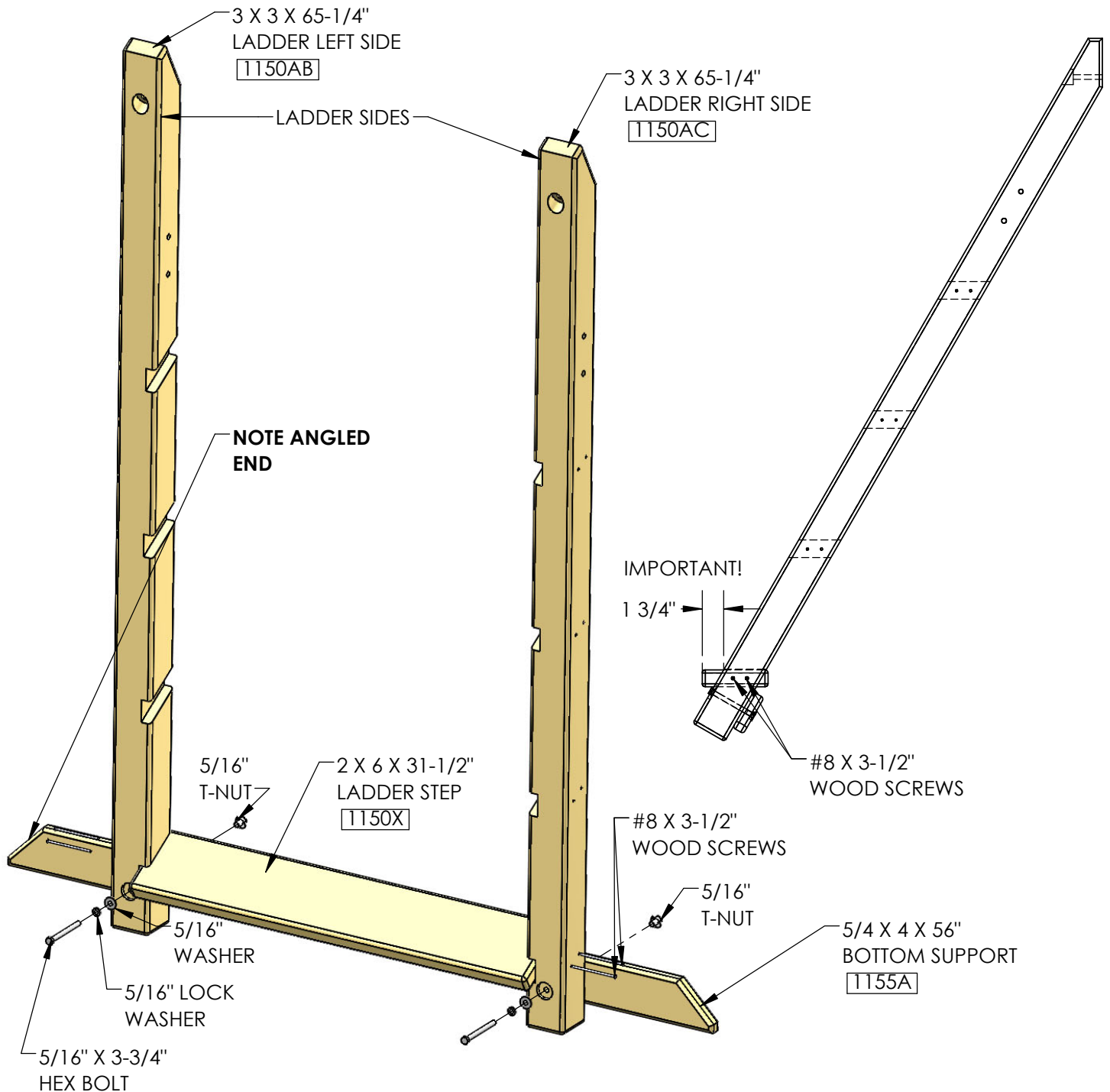
	PICTURE	STAMPED ID & DESCRIPTION	QTY.
1509N		2 X 4 X 29" BRIDGE DECK BOARD [2-4-2900-BD]	15
		2 X 4 X 36-3/4" SAFETY BOARD WITH CHAIN HOLES [2-4-3675-SBH]	2
		2 X 4 X 36-3/4" TOP PANEL BOARD OR DECK SUPPORT [2-4-3675-SB]	6
		2 X 4 X 66" RAIL [2-4-6600-R]	4
		2 X 6 X 36-3/4" BOTTOM PANEL BOARD [2-6-3675-BPB]	6
	 <p style="text-align: center;">NOT USED</p>	4 X 4 X 29" CENTER POST [4-4-2900-CP]	1
		5/4 X 2-5/8" X 16" RAIL SLAT [125-3-1600-RS]	20



PICTURE	STAMPED ID & DESCRIPTION	QTY.
	5/4 X 2-5/8" X 28-1/2" PANEL SLAT 125-3-2850-PS	10
	5/4 X 4 X 29-3/8" DECK SPACER 125-4-2937-DS	2
	5/4 X 6 X 36-1/2" DECK BOARD 125-4-3650-DB	7
1509T 	2 X 4 X 33" VERTICAL TARP SUPPORT 2-4-3300-VTS	2
	2 X 4 X 36-3/4" TARP BOARD 2-4-3675-TB	3
1519 	4 x 4 x 96" CORNER POST 4-4-9600-CBP	4
		37

# STEP 1: LADDER

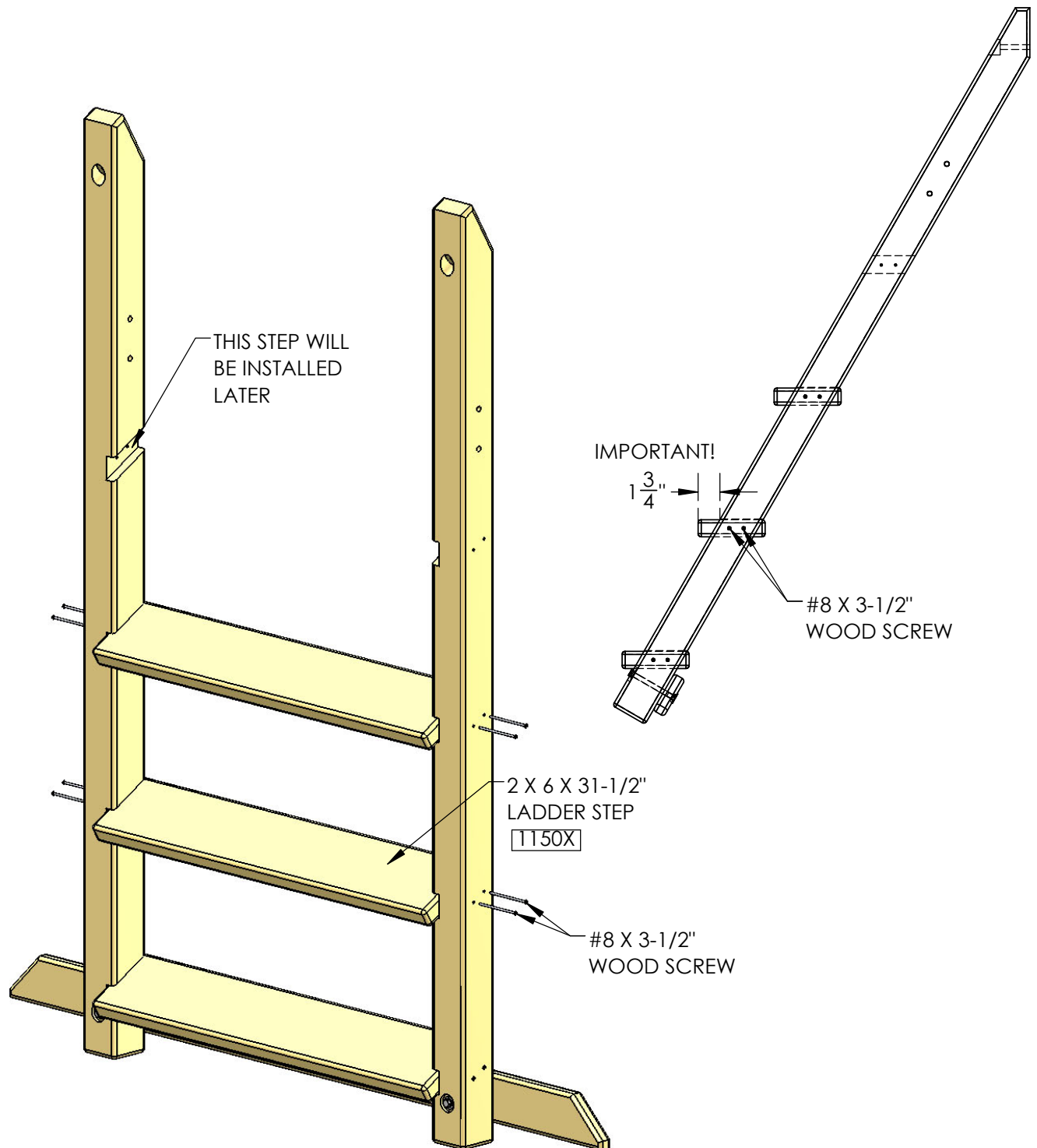
- 1: HAMMER TWO T-NUTS INTO THE BACK SIDE OF THE BOTTOM SUPPORT.
- 2: FASTEN THE LADDER SIDES TO THE BOTTOM SUPPORT AS SHOWN.
- 3: PLACE A LADDER STEP INTO THE LOWEST NOTCH IN THE LADDER SIDES. MAKE THE FRONT EDGE OF THE LADDER STEP STICK OUT 1-3/4" BEYOND THE FRONT FACE OF THE LADDER SIDES.
- 4: FASTEN THE LADDER STEP AS SHOWN.



## STEP 2: ASSEMBLING THE LADDER

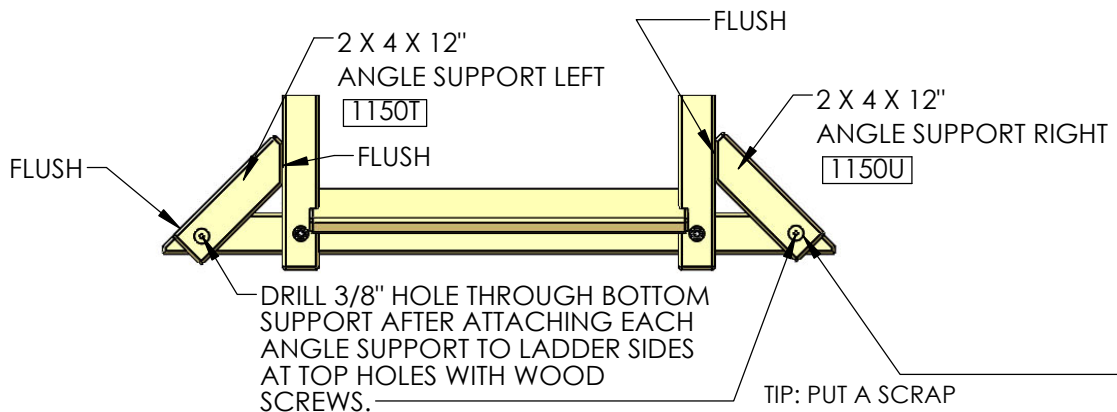
1: PLACE THE NEXT TWO LADDER STEPS INTO THE NOTCHES AS SHOWN.

2: MAKE THE FRONT EDGE OF THE LADDER STEP STICK OUT 1-3/4" BEYOND THE FRONT FACE OF THE LADDER SIDES AS SHOWN. FASTEN THE LADDER SIDES TO THE LADDER STEPS AS SHOWN.



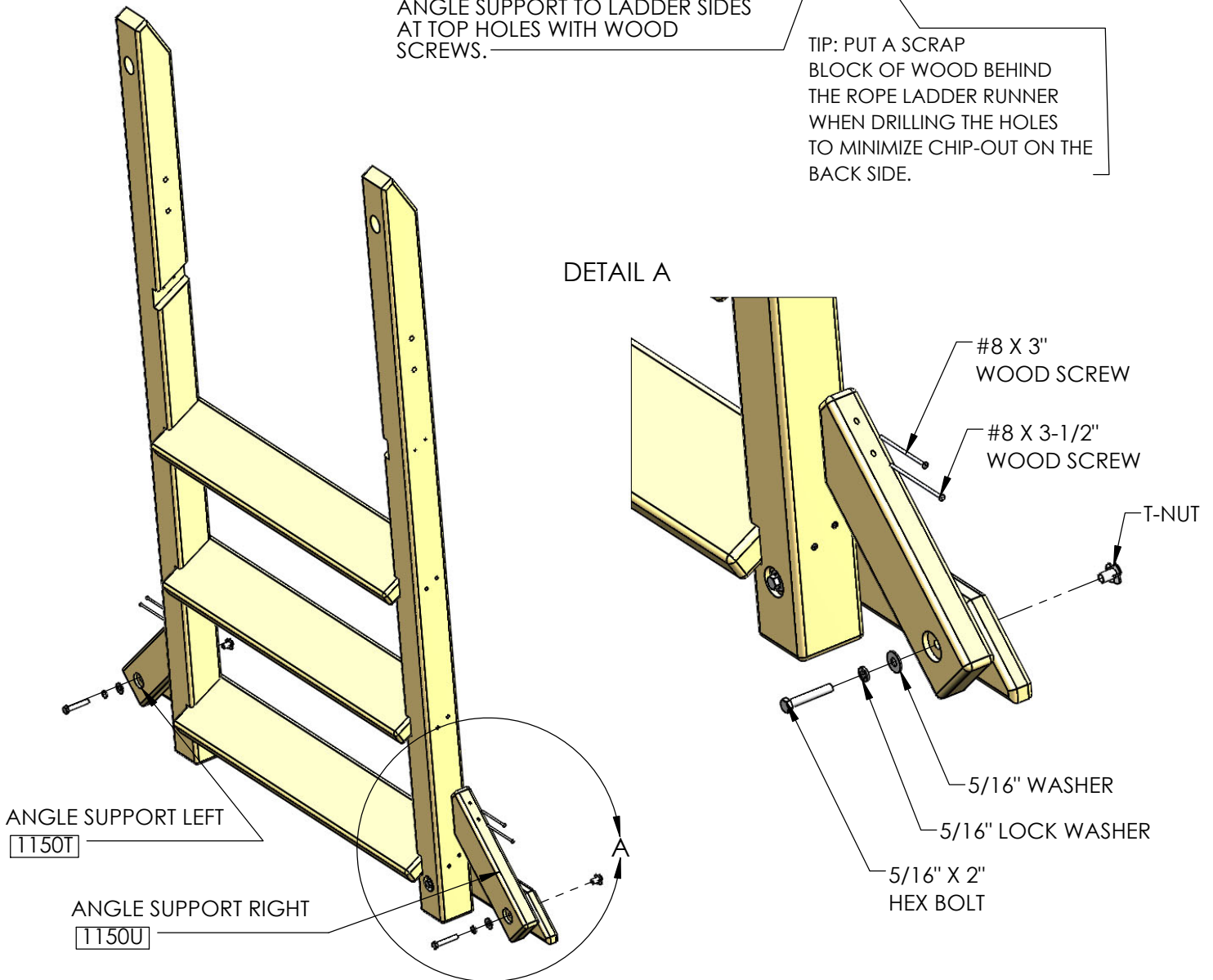
# STEP 3: ANGLE SUPPORTS

- 1: ATTACH ANGLE SUPPORTS AS SHOWN.
- 2: USE SCREWS SPECIFIED TO ATTACH.
- 3: DRILL 3/8" HOLE INTO BOTTOM SUPPORT USING ANGLE SUPPORT AS A GUIDE.
- 4: ATTACH USING HARDWARE SHOWN.



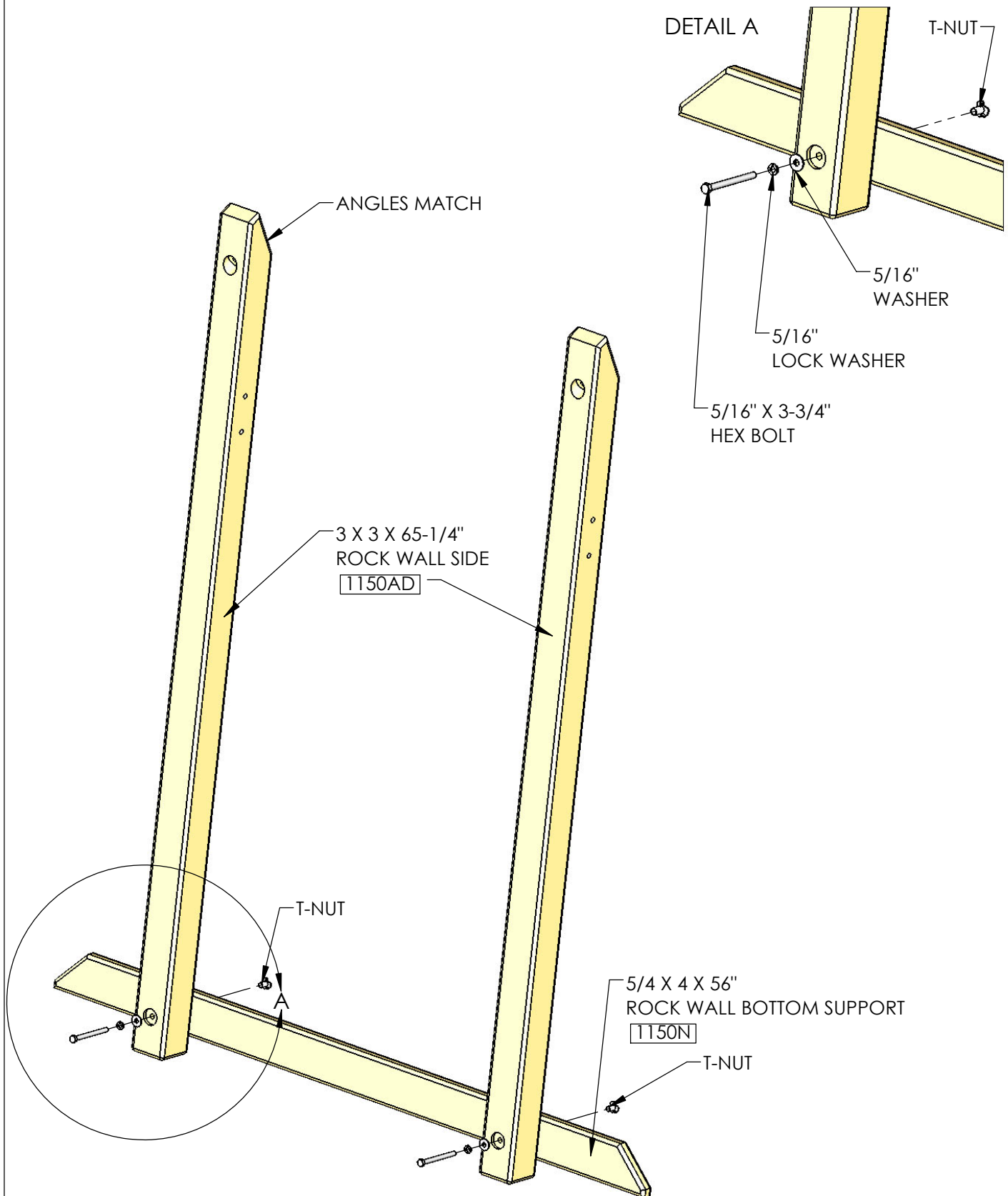
TIP: PUT A SCRAP BLOCK OF WOOD BEHIND THE ROPE LADDER RUNNER WHEN DRILLING THE HOLES TO MINIMIZE CHIP-OUT ON THE BACK SIDE.

DETAIL A



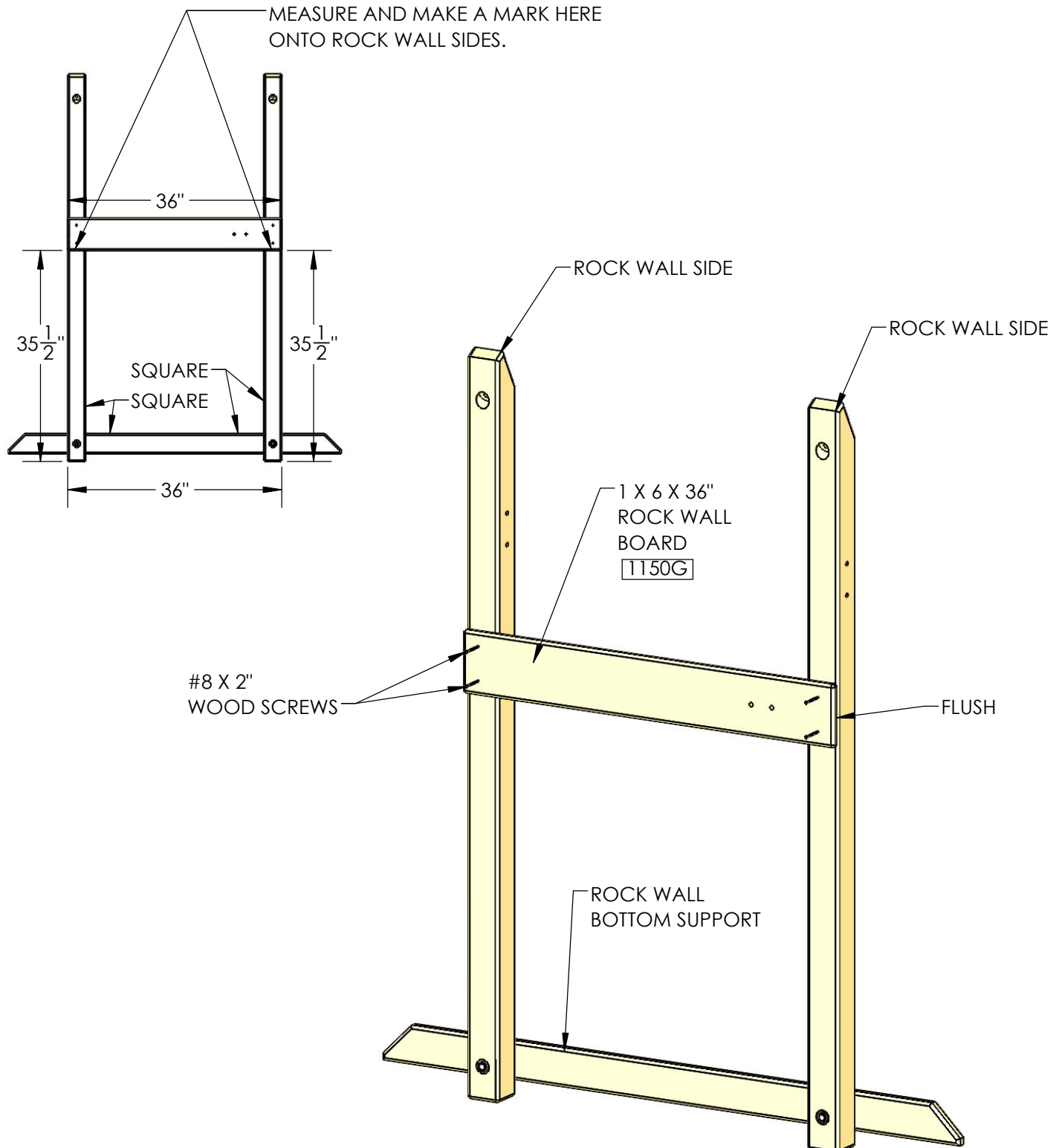
# STEP 4: ROCK WALL

- 1: HAMMER TWO T-NUTS INTO THE BACK SIDE OF THE ROCK WALL BOTTOM SUPPORT.
- 2: FASTEN THE BOARDS AS SHOWN.



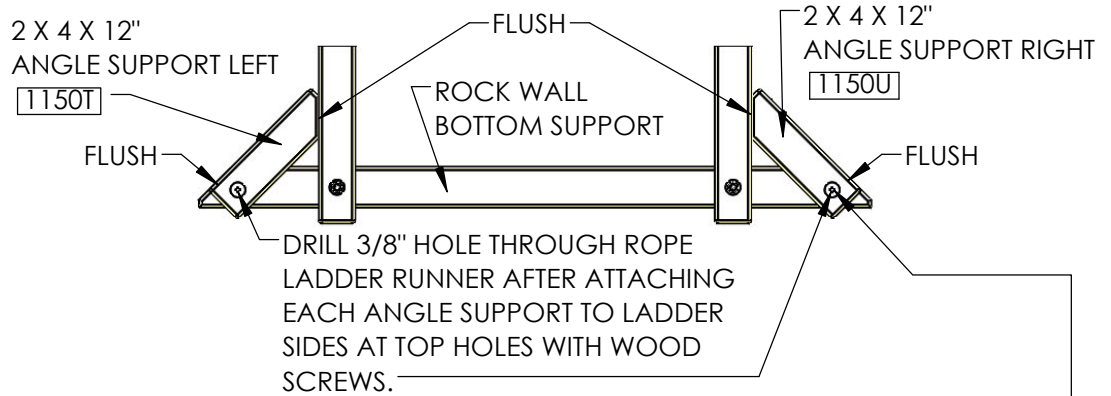
## STEP 5: ROCK WALL SPACER BOARD

- 1: MEASURE 35-1/2" FROM THE BOTTOM OF EACH OF THE ROCK WALL SIDES AND MAKE A MARK ONTO THE ROCK WALL SIDES.
- 2: MAKE SURE THAT THE ROCK WALL SIDES ARE SQUARE TO THE ROCK WALL BOTTOM SUPPORT.
- 3: ALIGN THE BOTTOM SURFACE OF THE ROCK WALL BOARD WITH THE MARKS.
- 4: FASTEN THE ROCK WALL BOARD AS SHOWN.



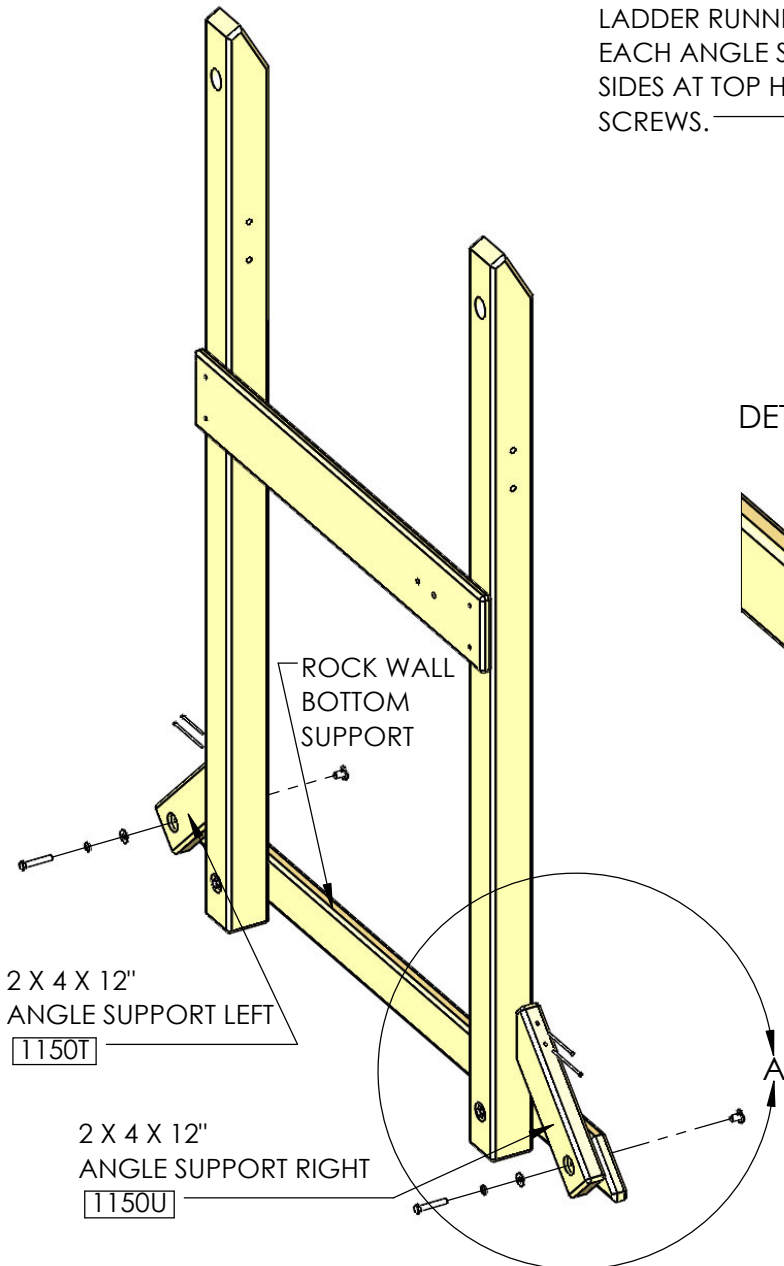
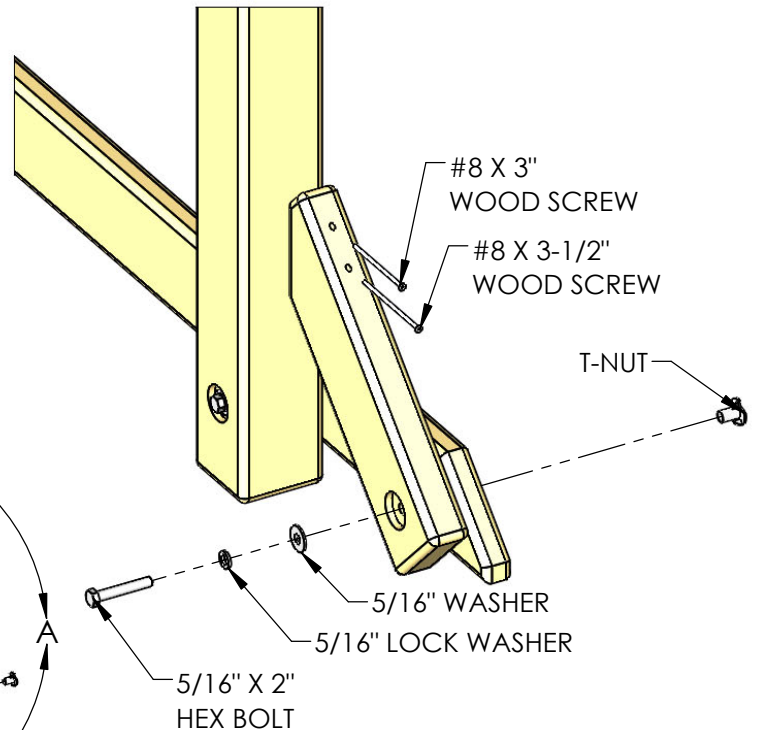
# STEP 6: ANGLE SUPPORTS

- 1: ATTACH ANGLE SUPPORTS AS SHOWN.
- 2: USE SCREWS SPECIFIED TO ATTACH.
- 3: DRILL 3/8" HOLE INTO ROPE LADDER RUNNER USING ANGLE SUPPORT AS A GUIDE.
- 4: ATTACH USING HARDWARE AS SHOWN.



TIP: PUT A SCRAP BLOCK OF WOOD BEHIND THE ROCK WALL BOTTOM SUPPORT WHEN DRILLING THE HOLES TO MINIMIZE CHIP-OUT ON THE BACK SIDE.

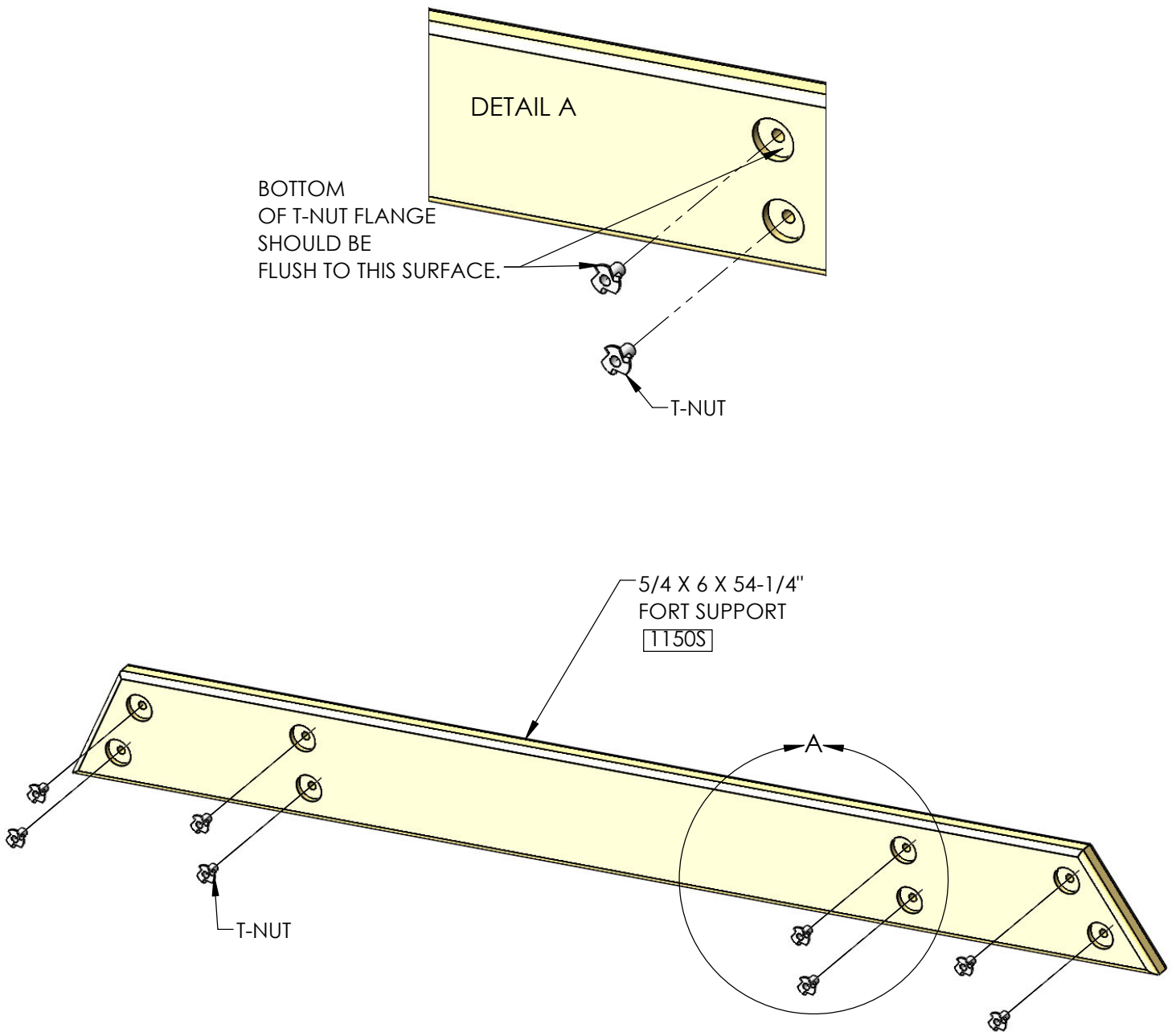
DETAIL A





# STEP 7: INNER FORT SUPPORTS

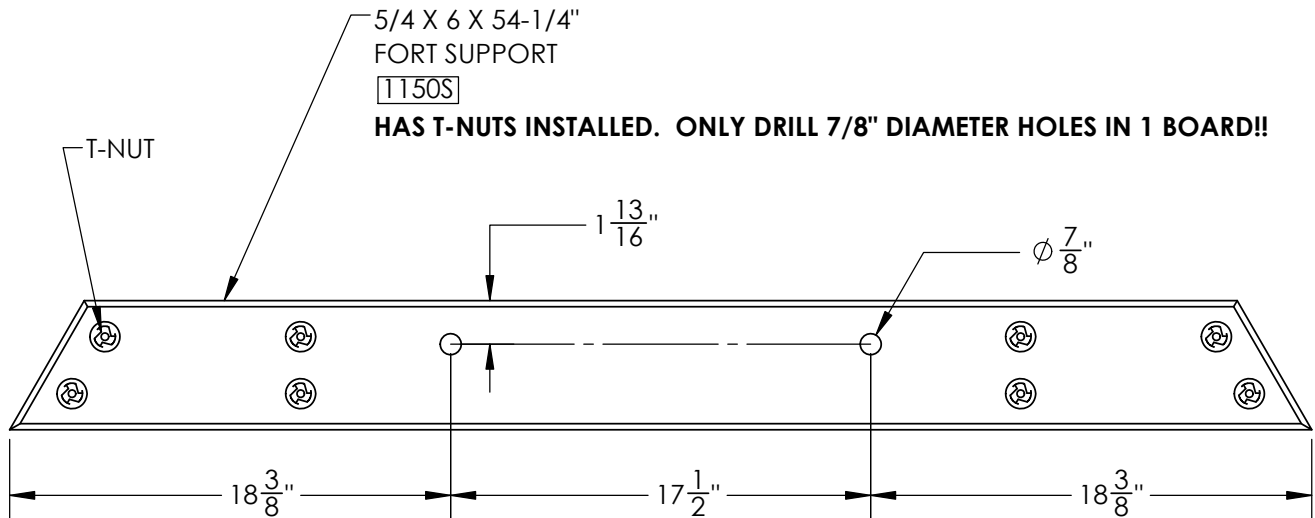
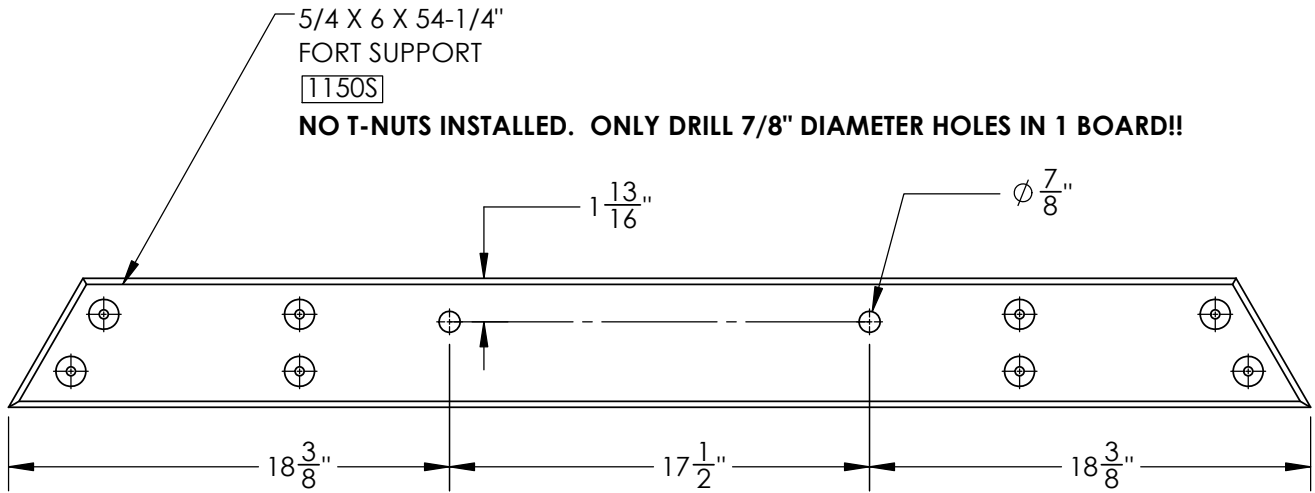
1: HAMMER T-NUTS INTO THE COUNTERBORES OF TWO 1150S BOARDS AS SHOWN.





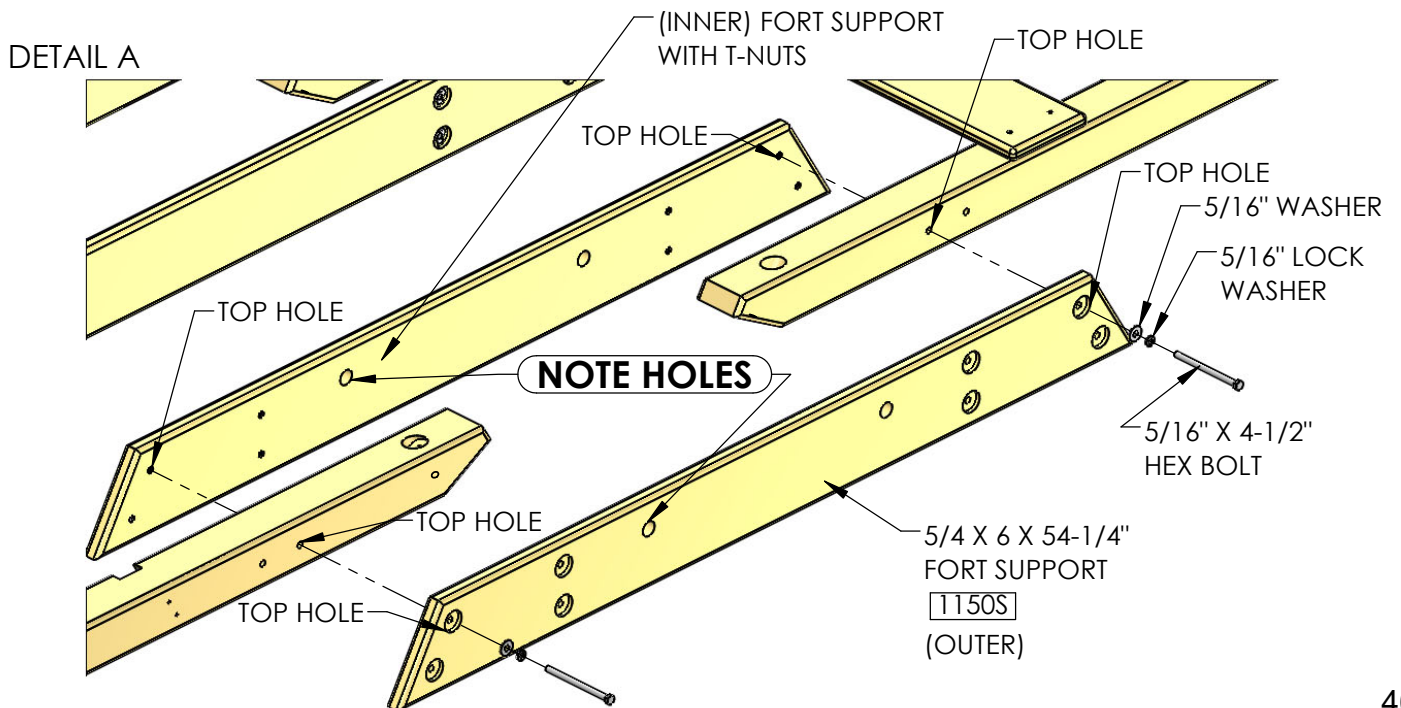
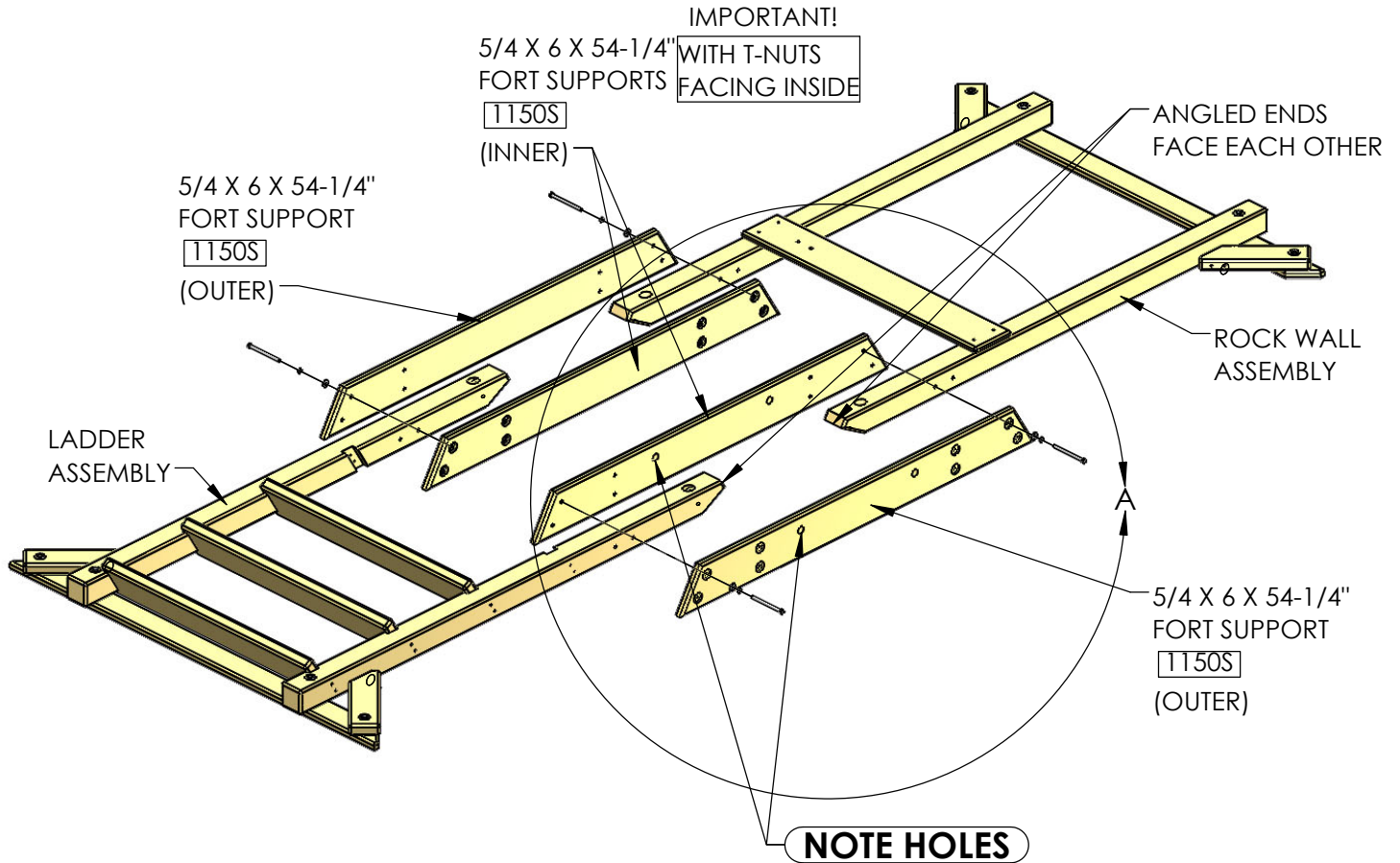
# STEP 7A: DRILL HOLES

DRILL 7/8" DIAMETER HOLES IN ONLY 2 BOARDS AS SHOWN BELOW.



# STEP 8: OUTER FORT SUPPORTS

- 1: LAY THE ROCK WALL ASSEMBLY AND THE LADDER ASSEMBLY DOWN ON A FLAT SURFACE AS SHOWN.
- 2: PLACE A FORT SUPPORT ON EITHER SIDE OF LEGS. IMPORTANT: T-NUTS ON THE INSIDE OF THE LEGS.
- 3: ATTACH AT POINTS SHOWN BELOW.
- 4: DO NOT OVERTIGHTEN AT THIS TIME.



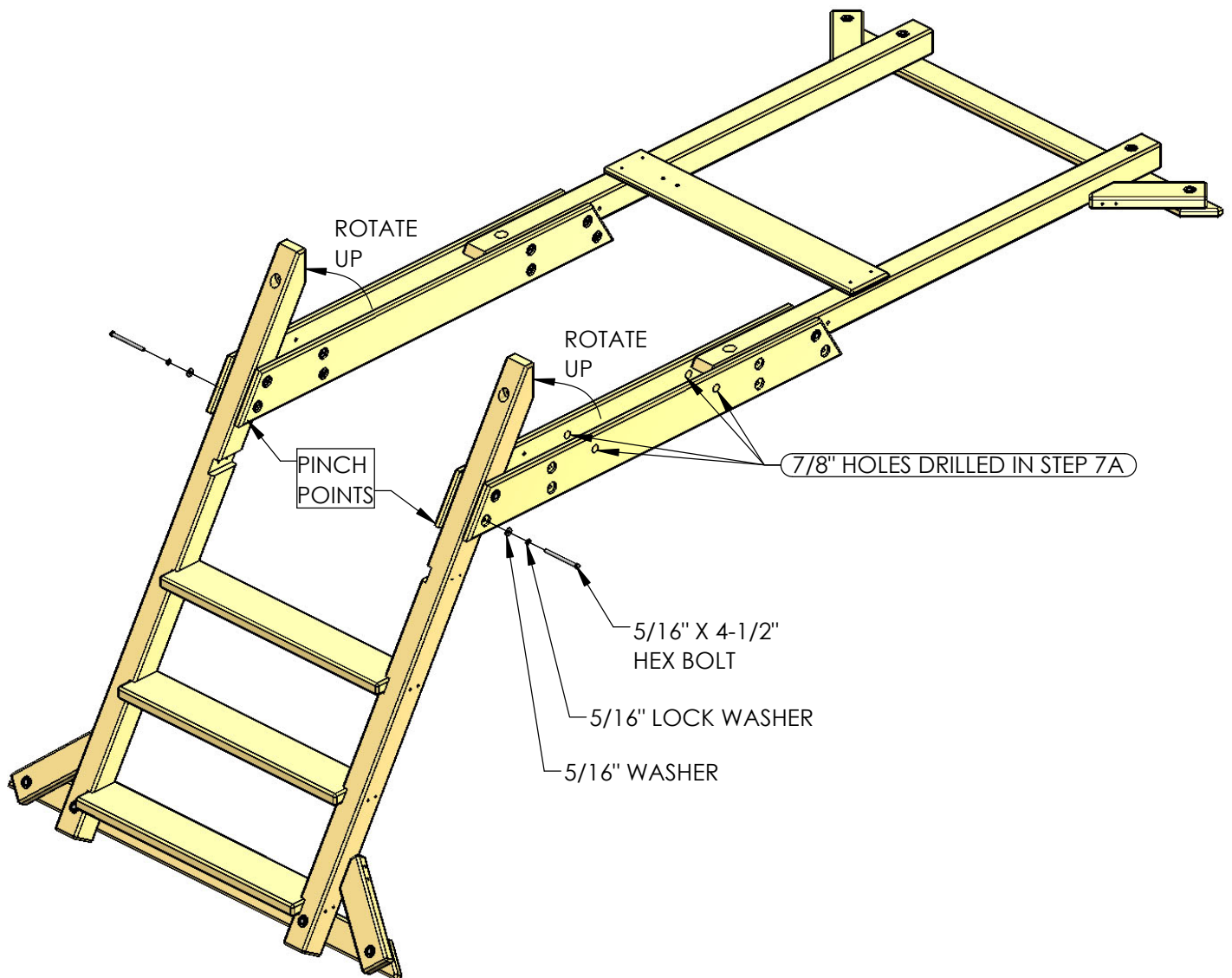
## STEP 9: ROTATE THE LADDER

**!!BEFORE ROTATING THE LADDER PLEASE OBSERVE THE PINCH POINTS SHOWN. KEEP AWAY FROM THESE POINTS WHEN ROTATING THE LADDER!!**

1: ROTATE THE TOP OF THE LADDER UP.

2: ALIGN THE BOTTOM HOLES AND INSERT HARDWARE AS SHOWN.

DO NOT TIGHTEN BOLTS AT THIS TIME.



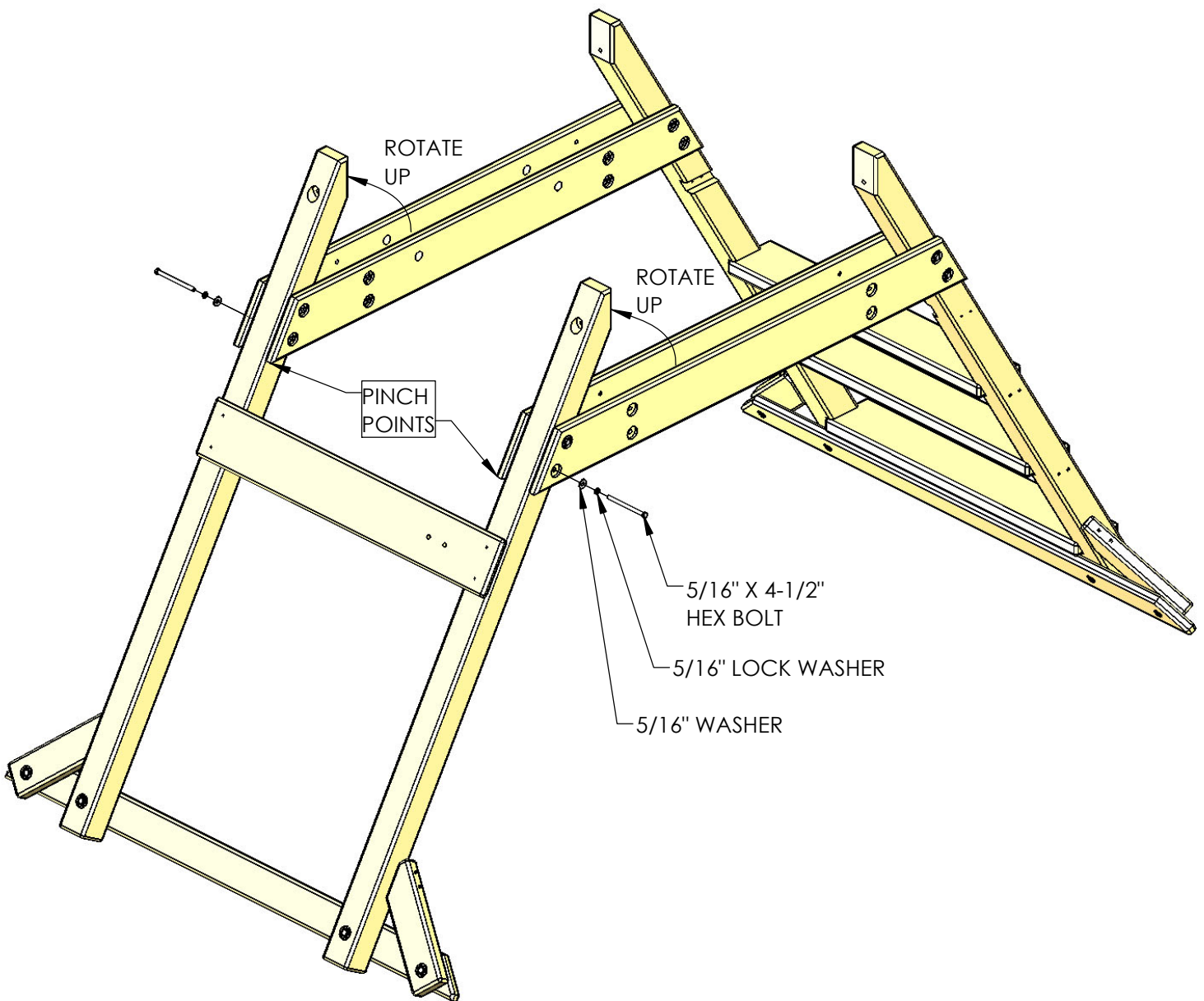
## STEP 10: ROTATE THE ROCK WALL

**!! BEFORE ROTATING THE ROCK WALL PLEASE OBSERVE THE PINCH POINTS SHOWN.  
KEEP AWAY FROM THESE POINTS WHEN ROTATING THE ROCK WALL!!!**

1: ROTATE THE TOP OF THE ROCK WALL UP.

2: ALIGN THE BOTTOM HOLES AND INSERT HARDWARE AS SHOWN.

DO NOT TIGHTEN BOLTS AT THIS TIME.

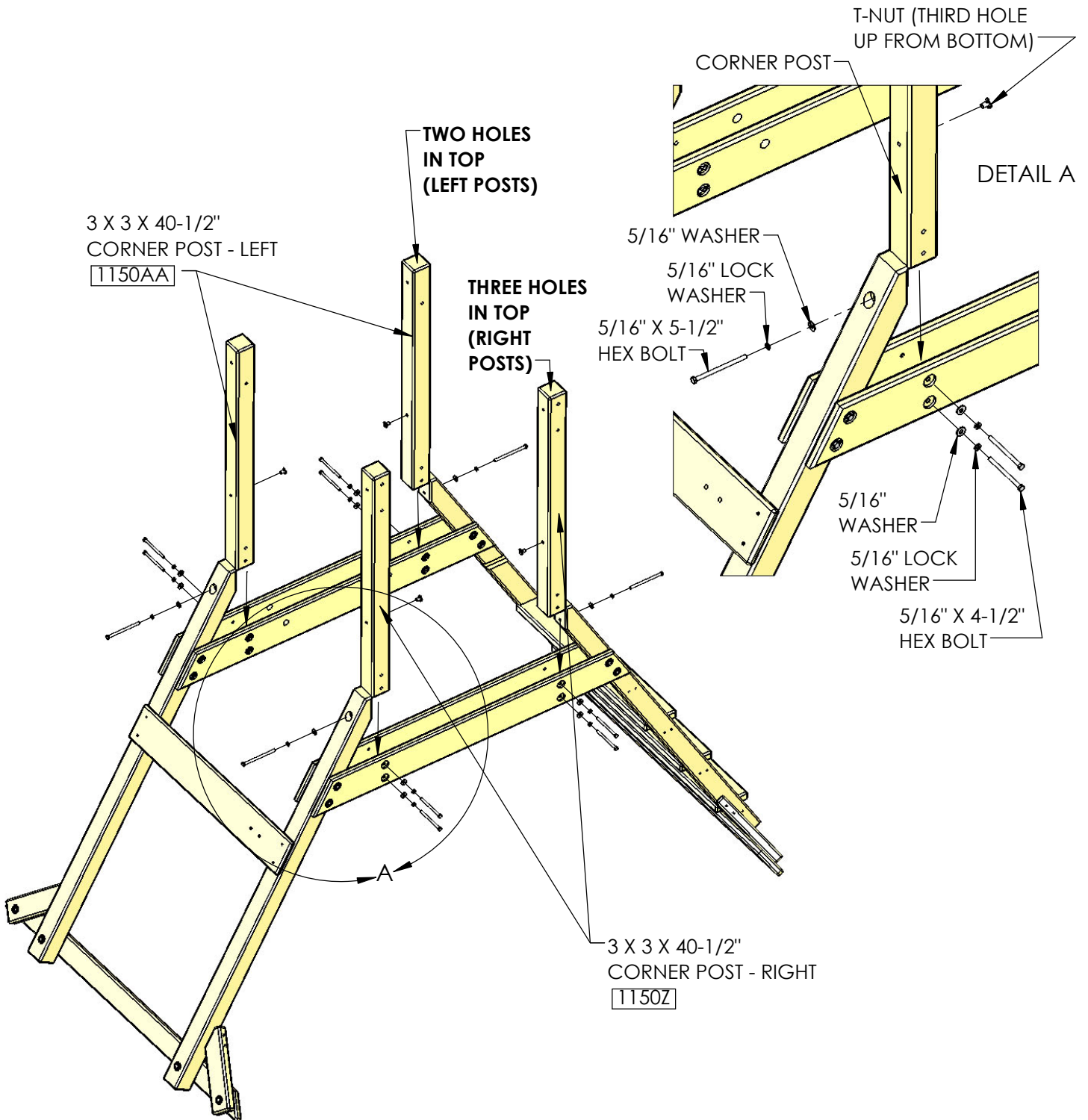


# STEP 11: CORNER POSTS

1: LOCATE TWO CORNER POST - RIGHT AND TWO CORNER POST LEFT. ORIENT THE POSTS AS SHOWN BELOW.

2: INSTALL T-NUTS AS SHOWN IN THE DETAIL IMAGE BELOW.

3: SEE DETAIL A FOR INSTALLING THE FOUR CORNER POSTS.

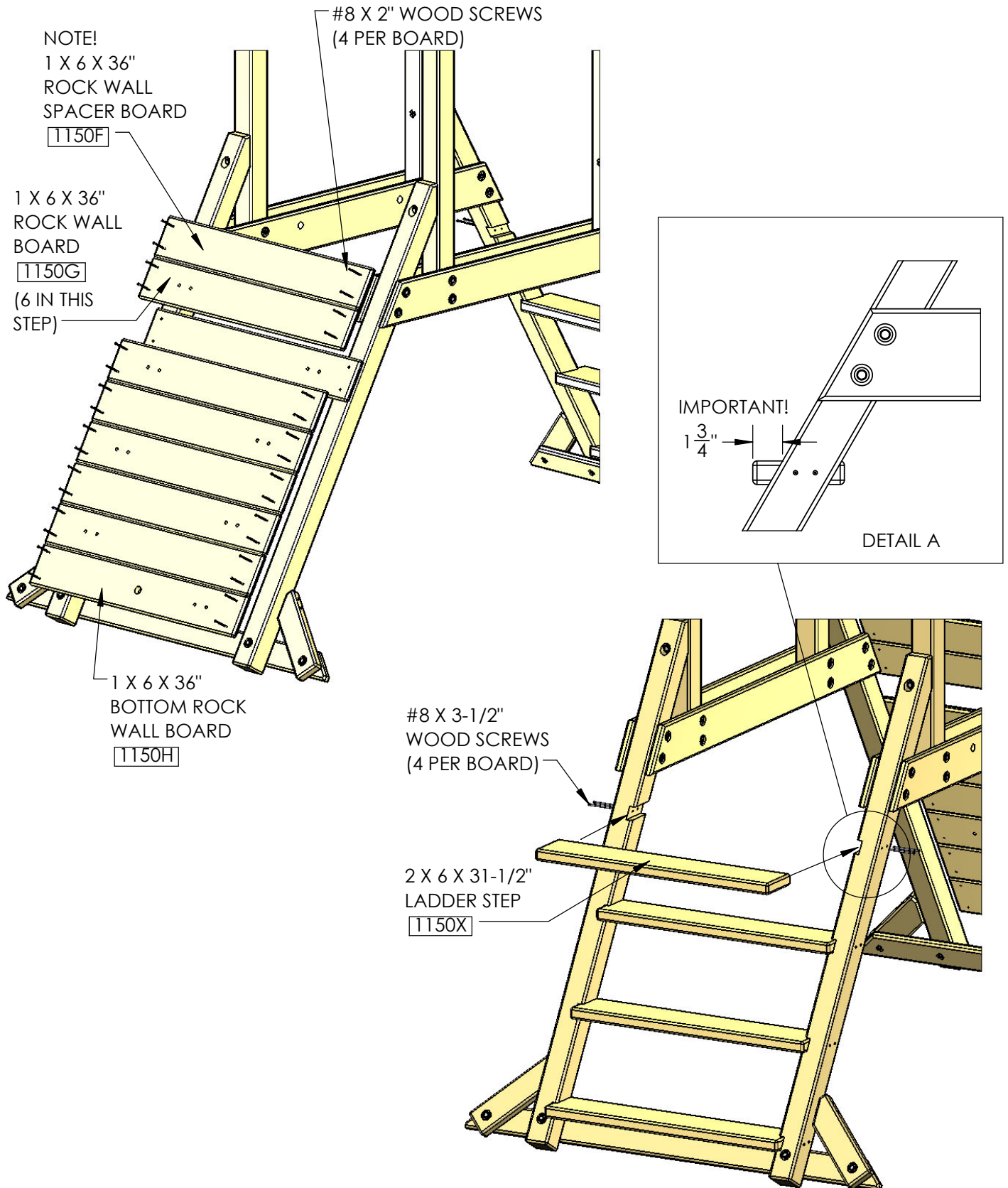




# STEP 12: LADDER AND ROCK WALL COMPLETION

1: ATTACH REMAINING ROCKWALL BOARDS AND SPACER AS SHOWN. ATTACH WITH SCREWS SPECIFIED.

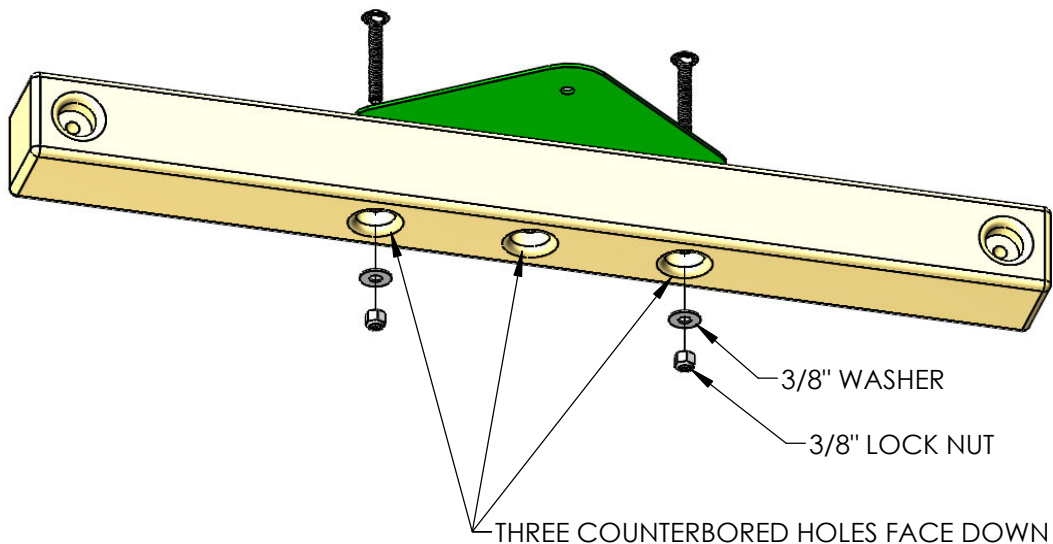
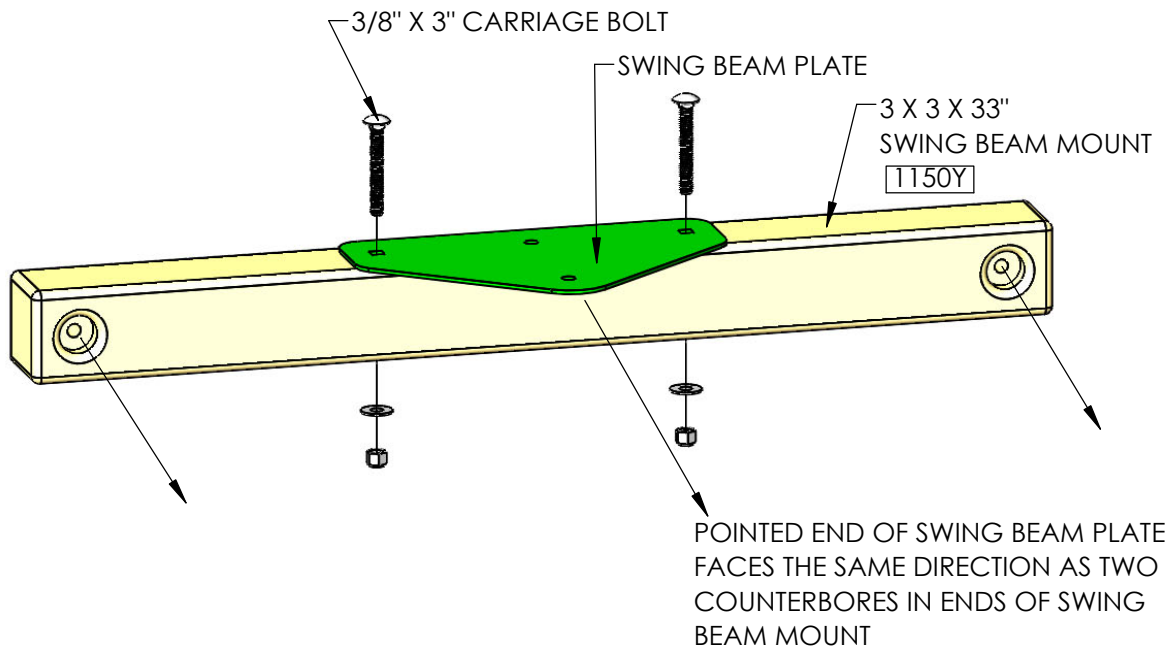
2: INSTALL LAST LADDER STEP AS SHOWN. (NOTE DETAIL A)



## STEP 13: ATTACH SWING BEAM PLATE TO THE SWING BEAM MOUNT

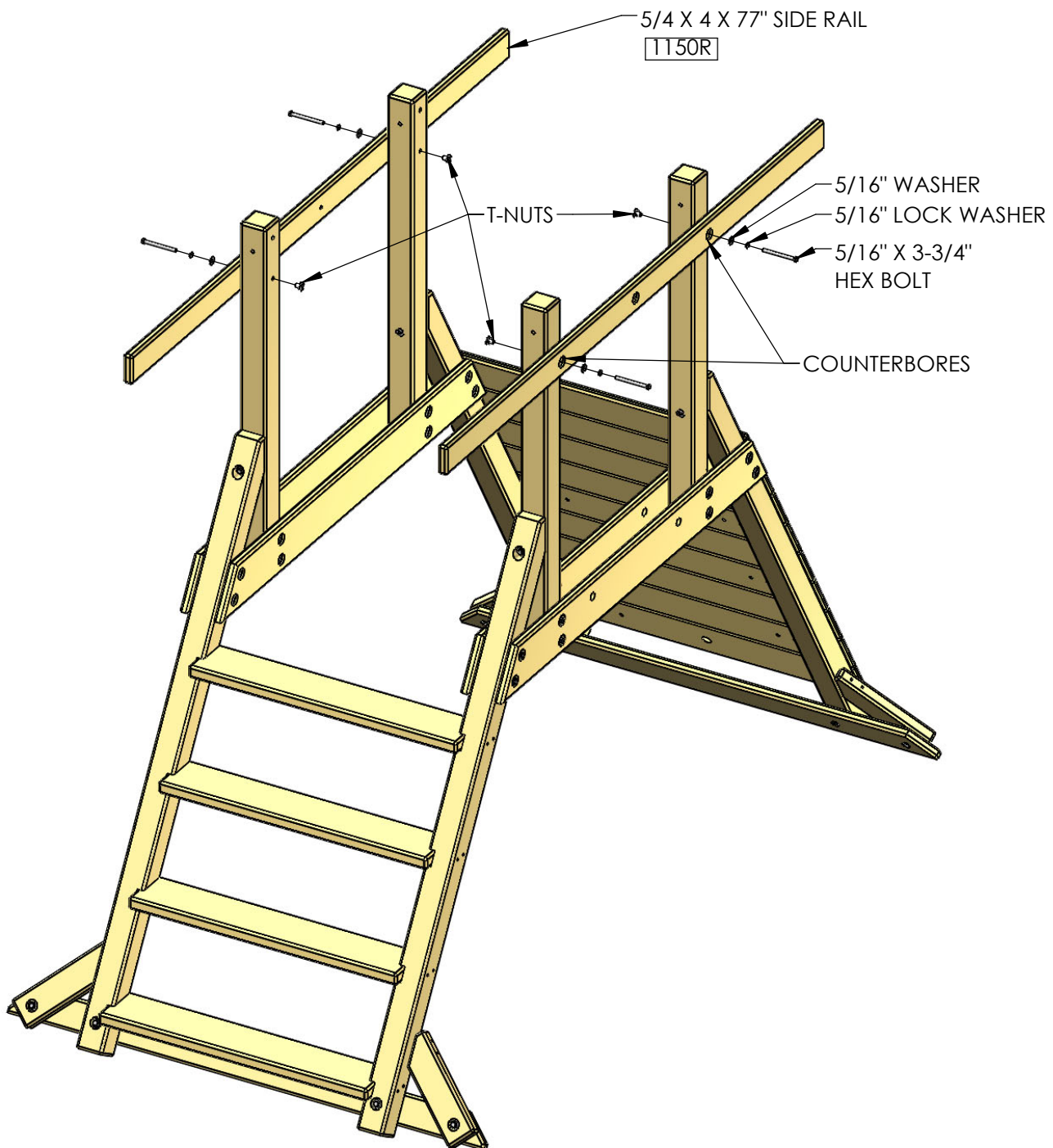
1: PLACE THE SWING BEAM PLATE OVER THE THREE SMALL HOLES IN THE SWING BEAM MOUNT.

2: FASTEN THE SWING BEAM PLATE TO THE SWING BEAM SIDE RAIL WITH THE HARDWARE SHOWN.



## STEP 14: SIDE RAILS

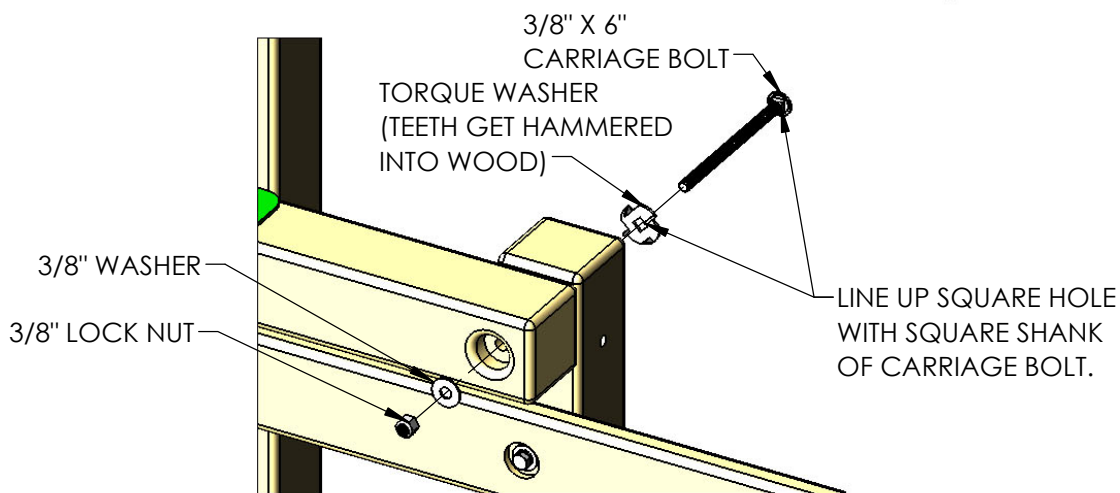
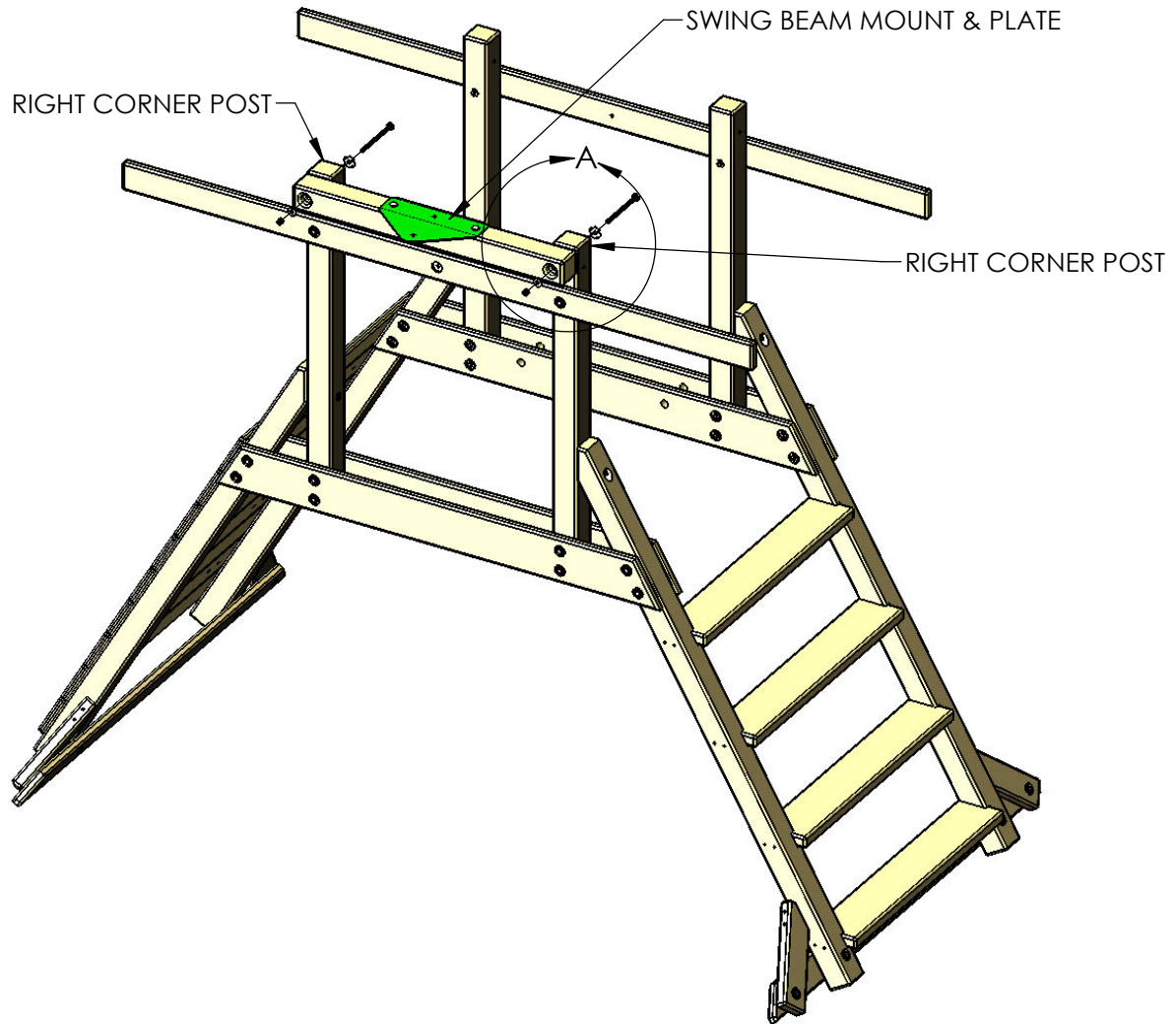
- 1: HAMMER A T-NUT INTO THE HOLE ON THE INSIDE OF EACH CORNER POST AS SHOWN.
- 2: PLACE EACH SIDE RAIL AGAINST THE CORNER POSTS ON THE OUTSIDE AS SHOWN.
- 3: ASSEMBLE USING THE HARDWARE SHOWN BELOW.





# STEP 15: ATTACHING SWING BEAM MOUNT

1: ATTACH SWING BEAM MOUNT AS SHOWN.

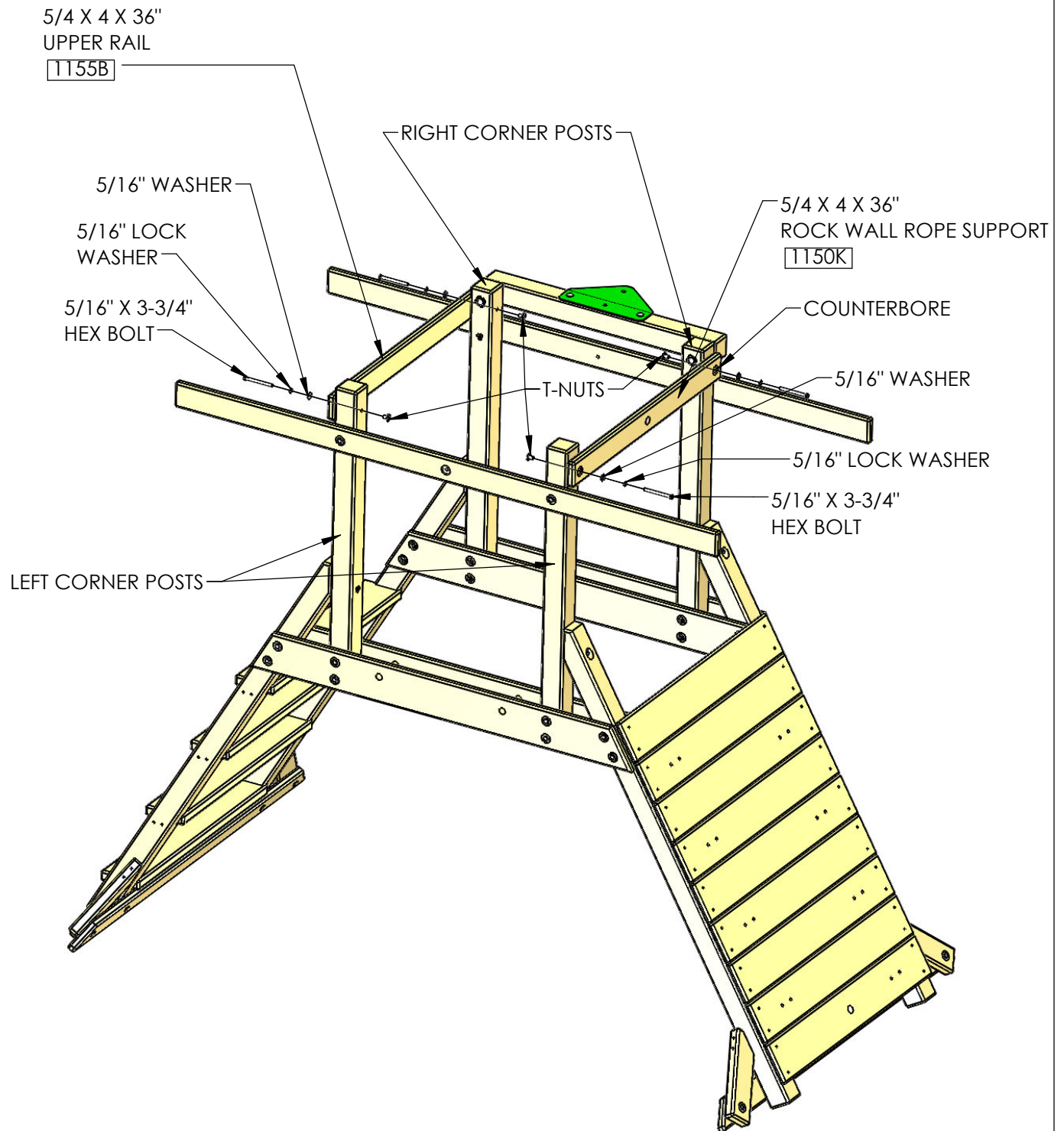


DETAIL A

# STEP 16: ATTACHING UPPER RAIL AND ROCK WALL ROPE SUPPORT

1: HAMMER T-NUTS INTO THE TOP HOLES OF EACH CORNER POST.

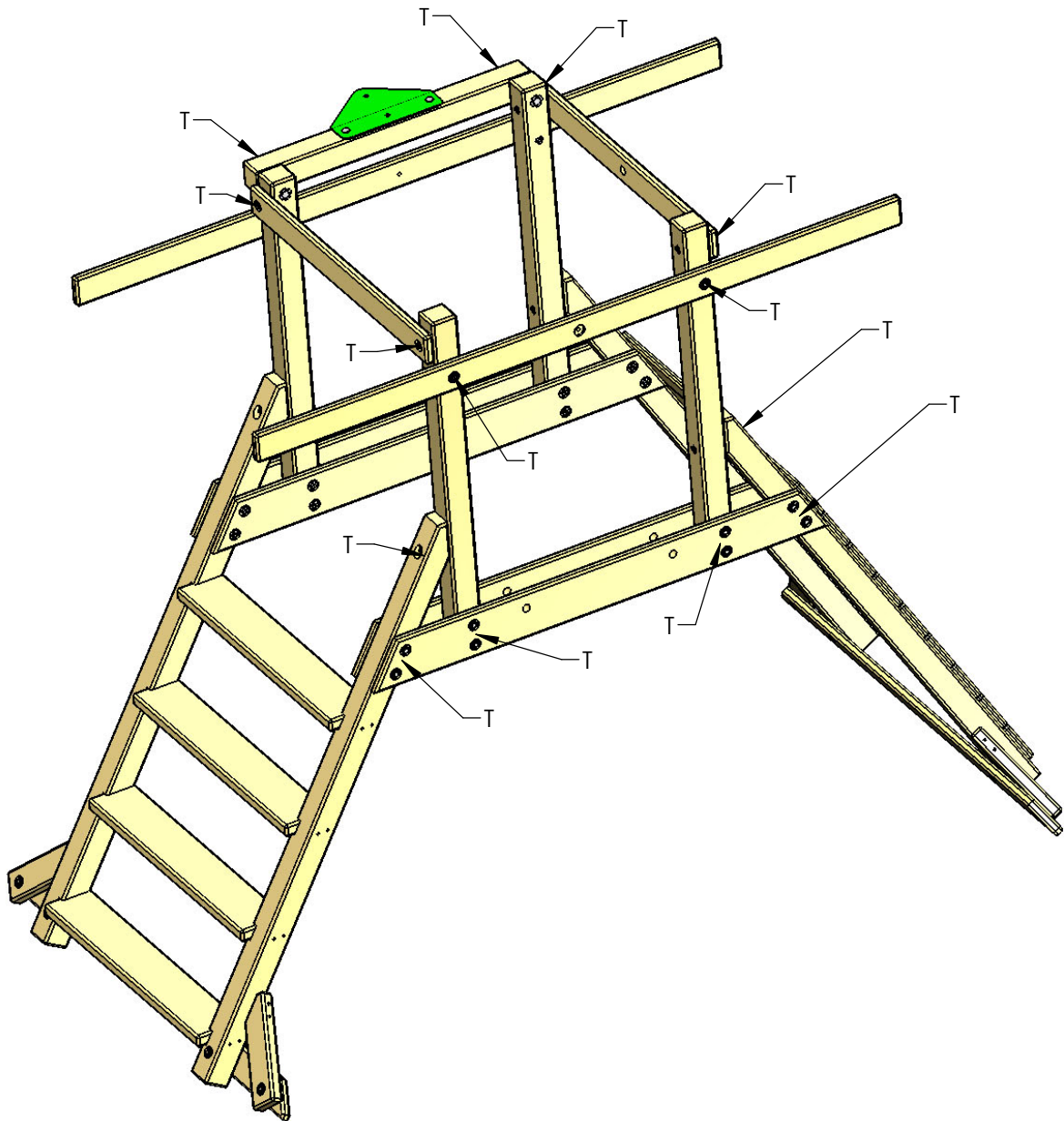
2: ATTACH UPPER RAIL AND ROCK WALL ROPE SUPPORT AS SHOWN.  
NOTE: COUNTERBORES SHOULD BE FACING OUT.



## STEP 17: TIGHTENING BOLTS AND LEVELING

1: MAKE SURE THE FRAME IS LEVEL AND SQUARE.

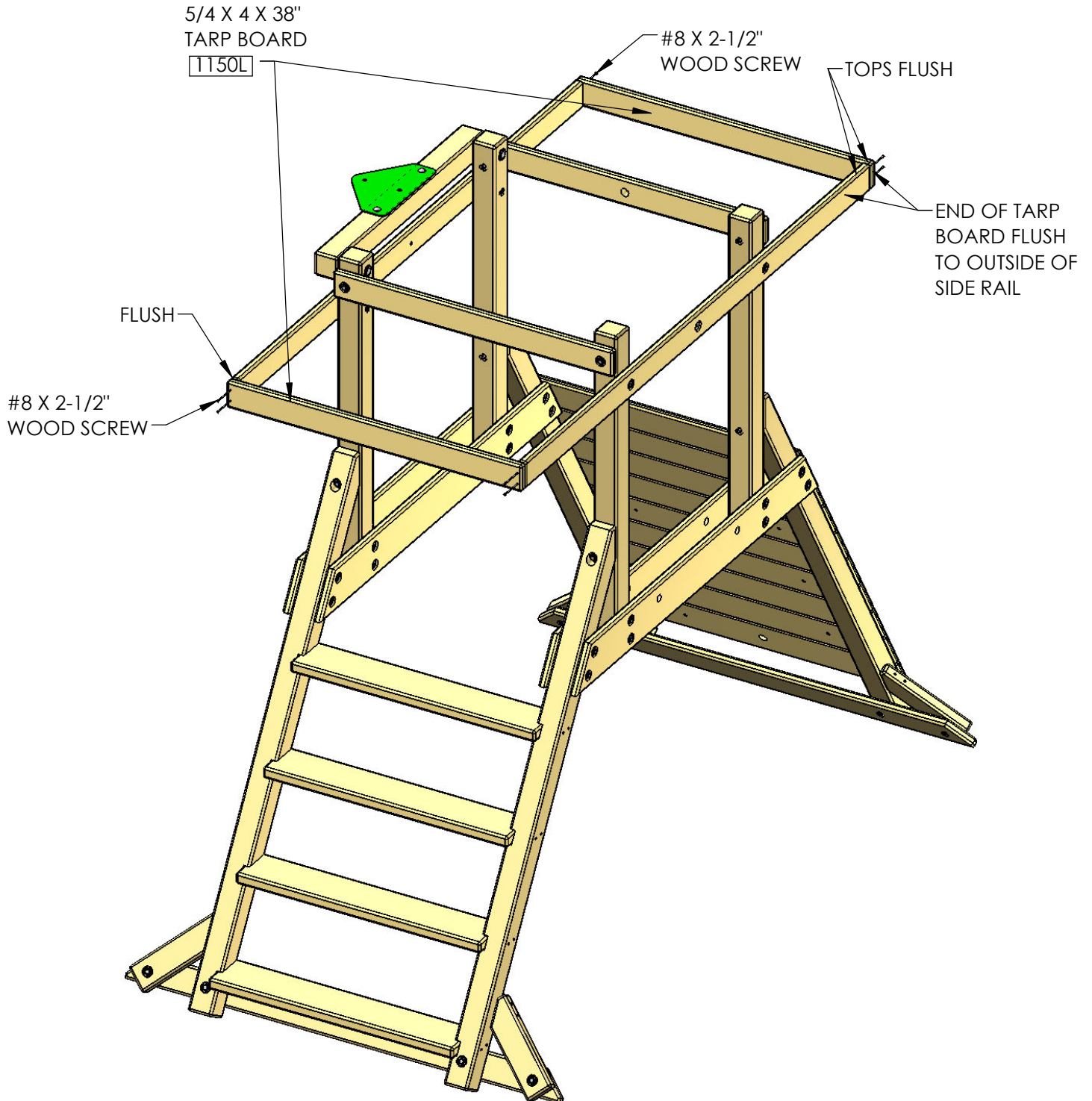
2: TIGHTEN ALL OF THE BOLTS WHERE INDICATED ON **BOTH SIDES** OF THE PLAYSET.



## STEP 18: INSTALLING TARP BOARDS

1: INSTALL TARP BOARDS FLUSH WITH THE SIDE RAILS.

2: FASTEN EACH TARP BOARD TO THE SIDE RAILS WITH THE HARDWARE SHOWN.

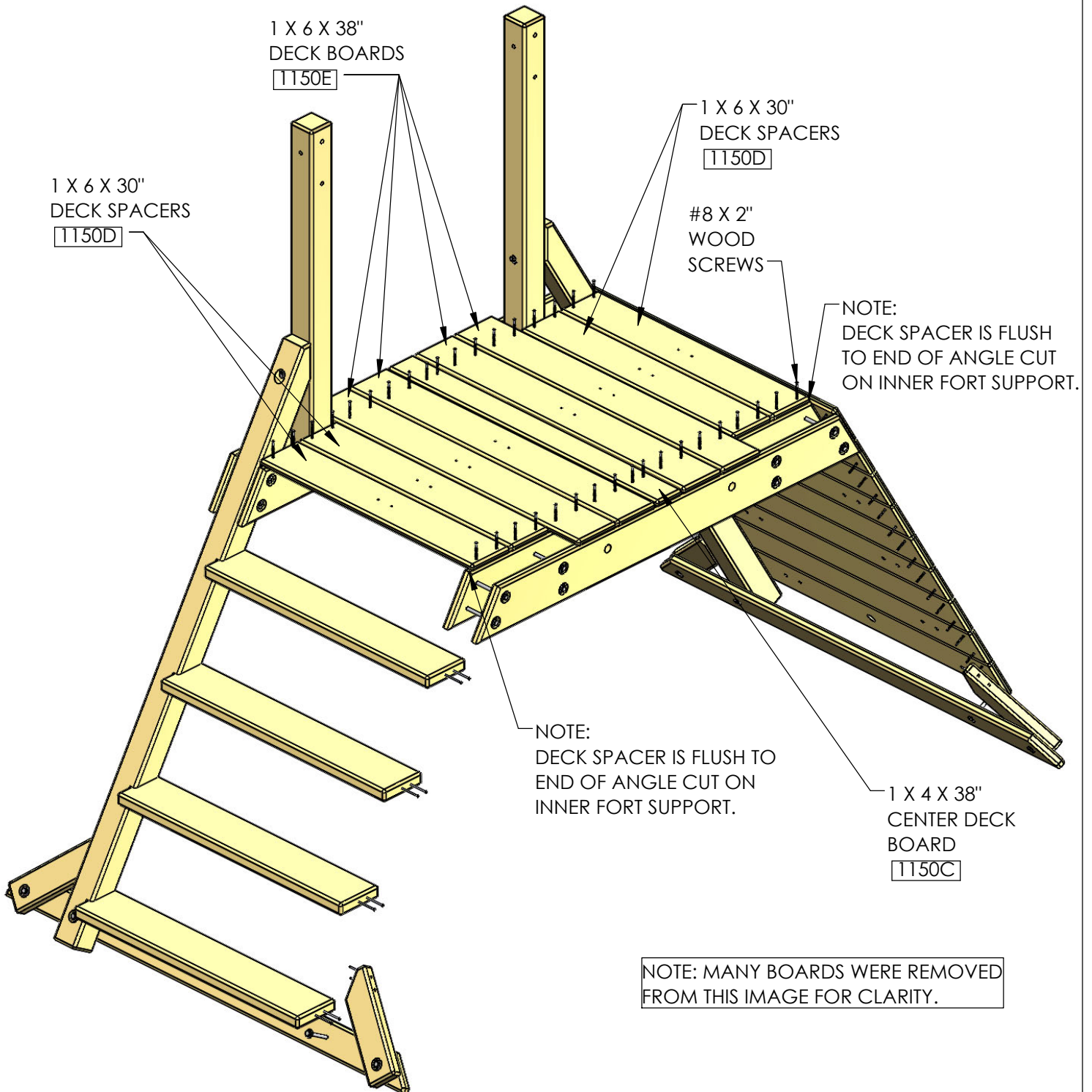




## STEP 19: DECK

1: LAY OUT THE DECK BOARDS ACROSS THE INNER AND OUTER FORT SUPPORTS AS SHOWN BELOW. EVENLY SPACE BOARDS LEAVING AN APPROXIMATE 1/8" GAP BETWEEN BOARDS.

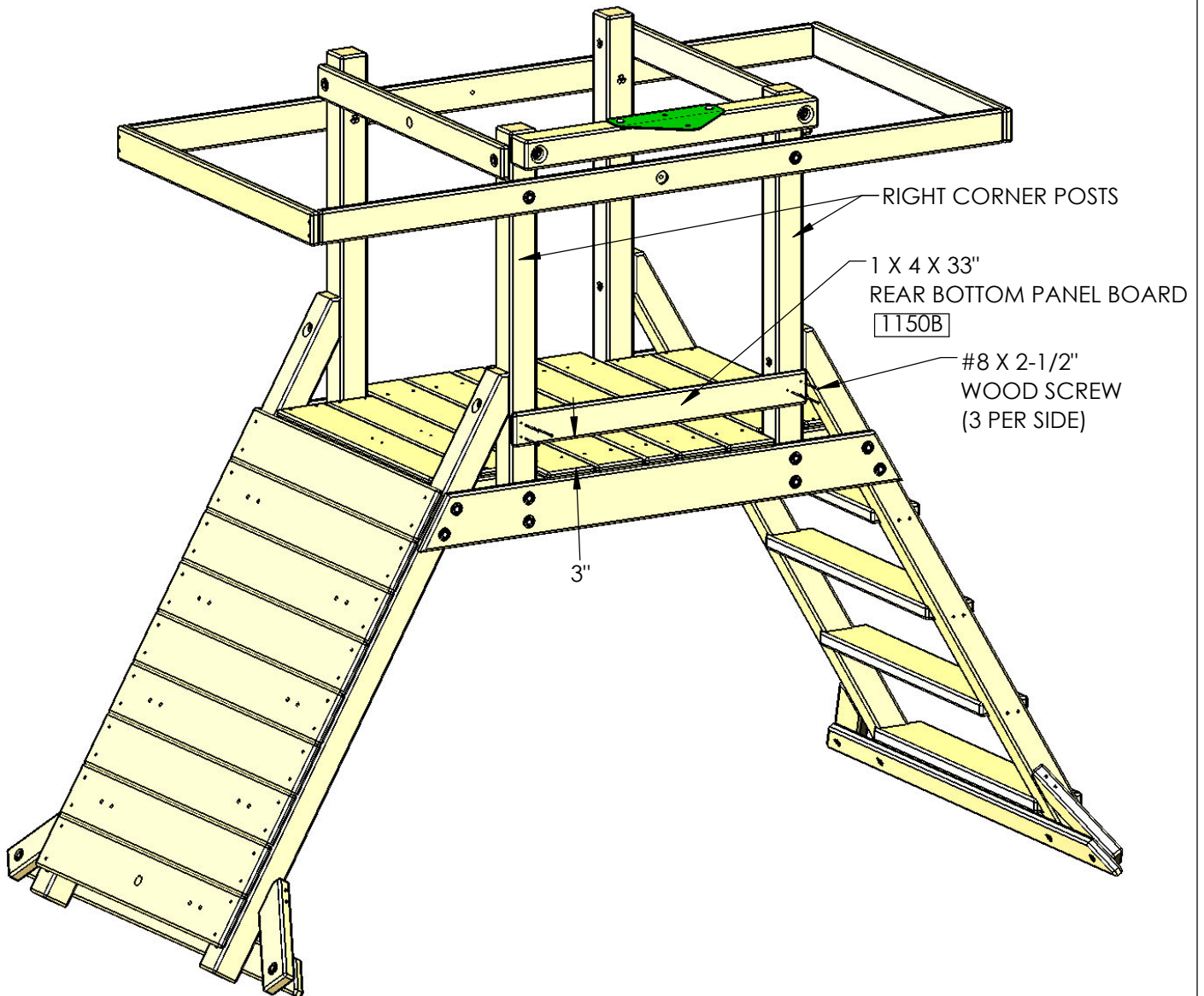
2: ATTACH EACH BOARD AS SHOWN.



## STEP 20: REAR BOTTOM PANEL BOARD

1: PLACE THE REAR BOTTOM PANEL BOARD 3" ABOVE THE TOP OF THE DECK BOARDS.

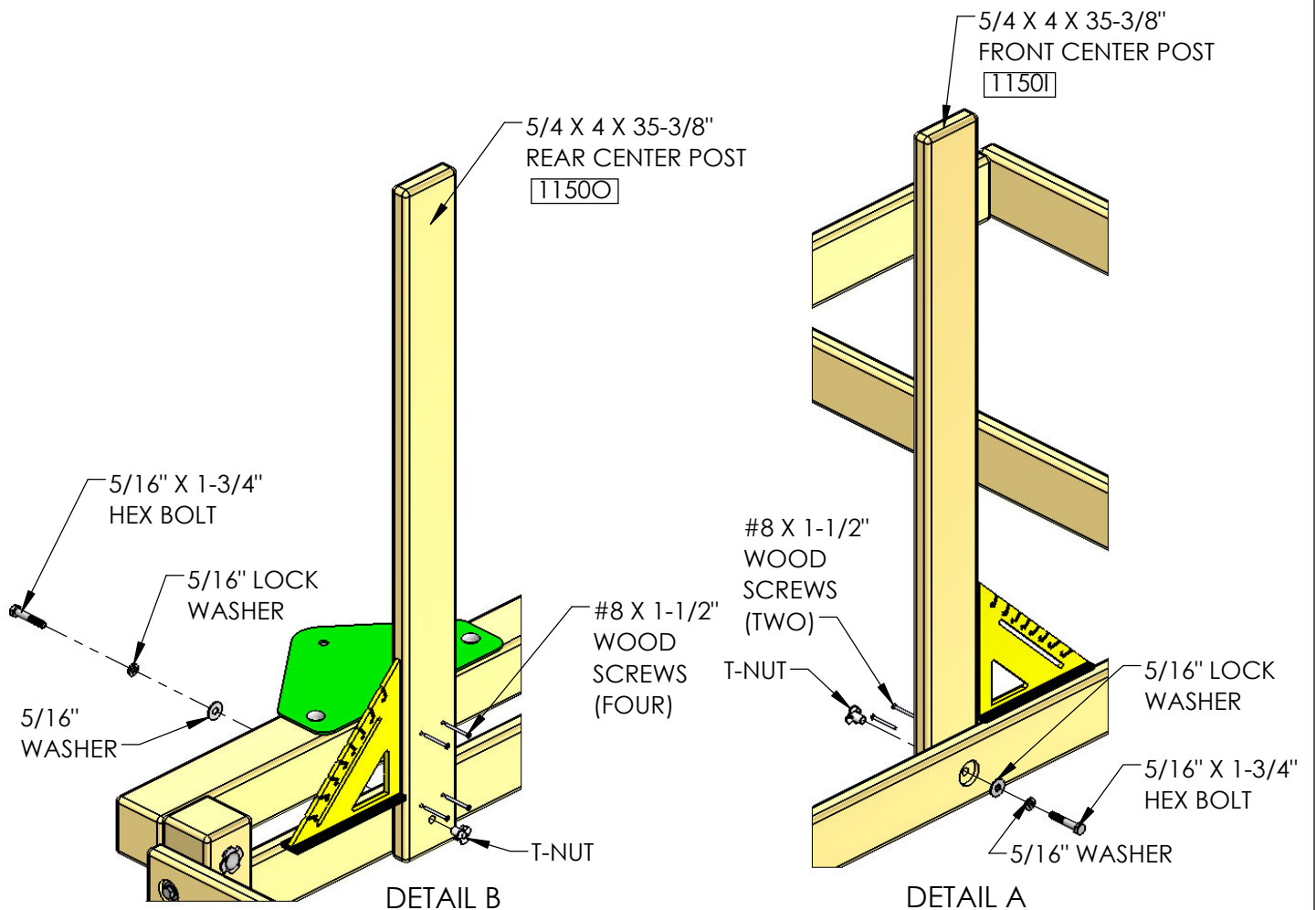
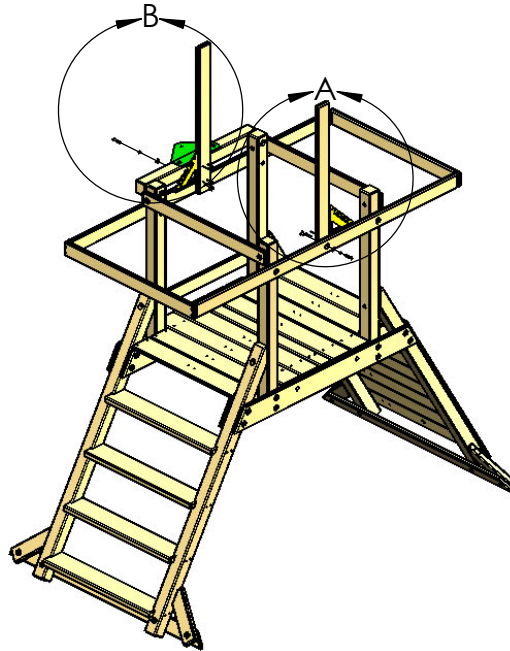
2: ATTACH THE BOARD AS SHOWN.



# STEP 21: CENTER POSTS

1: (SEE DETAIL A) HAMMER A T-NUT INTO THE HOLE IN THE FRONT CENTER POST. ATTACH AS SHOWN. MAKE SURE THE FRONT CENTER POST IS SQUARE.

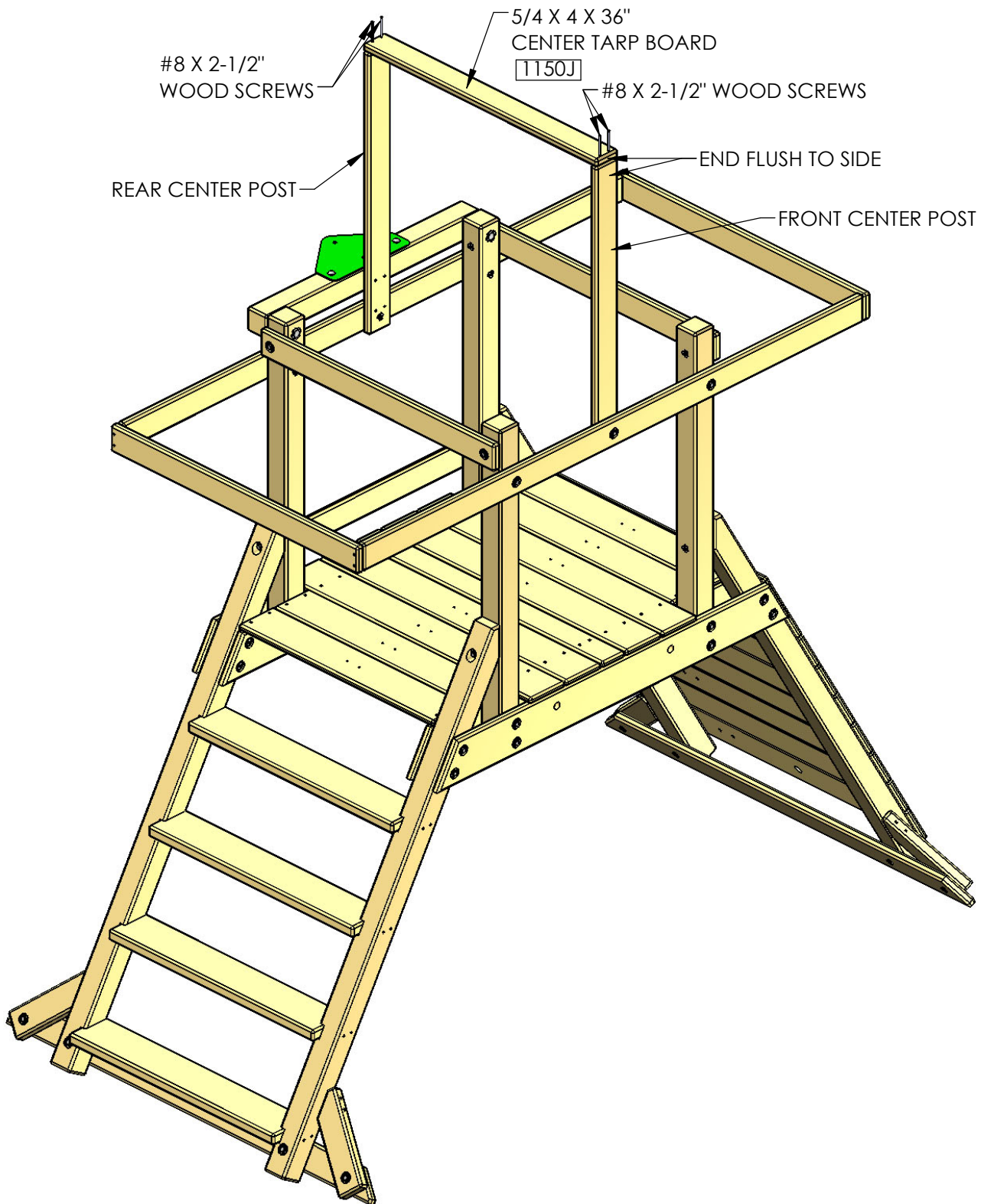
2: (SEE DETAIL B) HAMMER A T-NUT INTO THE HOLE IN THE REAR CENTER POST. ATTACH AS SHOWN. MAKE SURE THE REAR CENTER POST IS SQUARE.



## STEP 22: CENTER TARP BOARD

1: INSTALL THE CENTER TARP BOARD ON TOP OF THE FRONT CENTER POST AND REAR CENTER POST. NOTE: FLUSH TO THE SIDES OF THE FRONT AND REAR CENTER POSTS.

2: ATTACH THE BOARDS AS SHOWN.

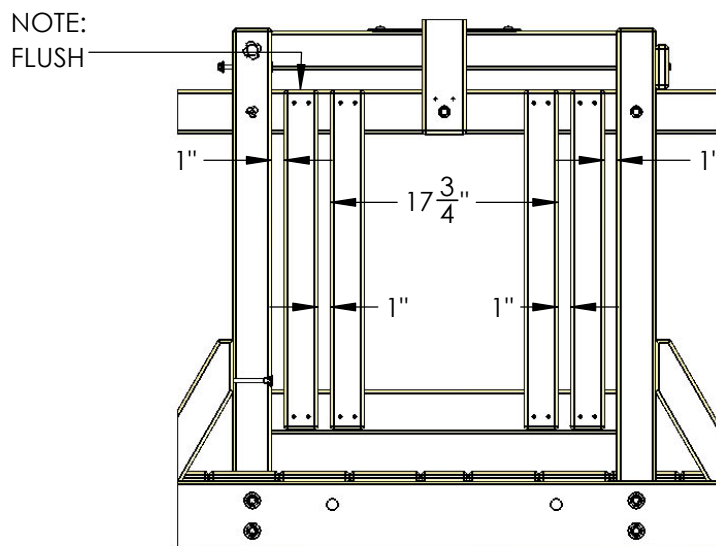
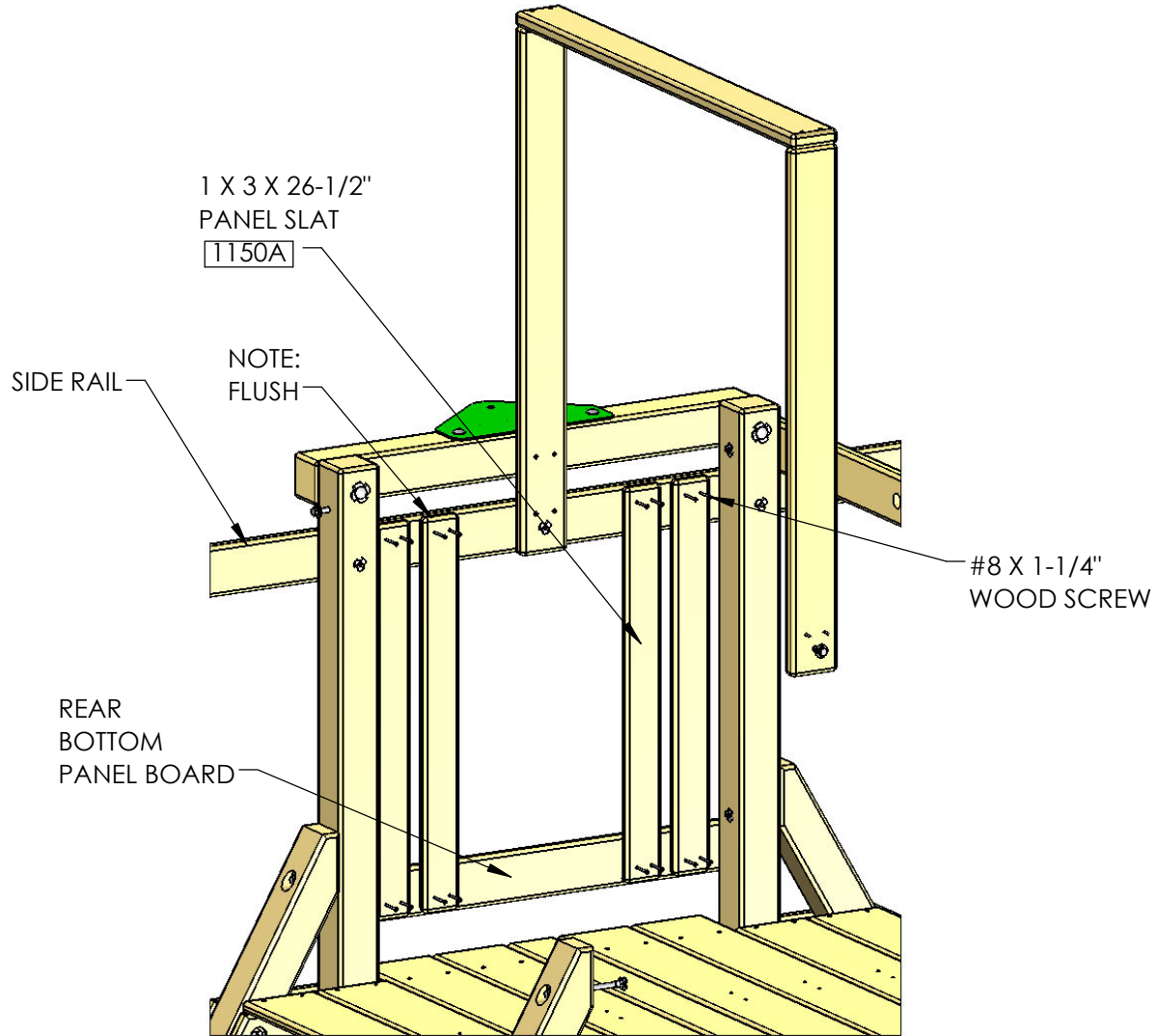




# STEP 23: PANEL SLATS

1: SPACE THE PANEL SLATS AS INDICATED. THE TOP OF EACH SLAT IS FLUSH TO THE TOP OF THE SIDE RAIL.

2: ATTACH EACH SLAT AS SHOWN.

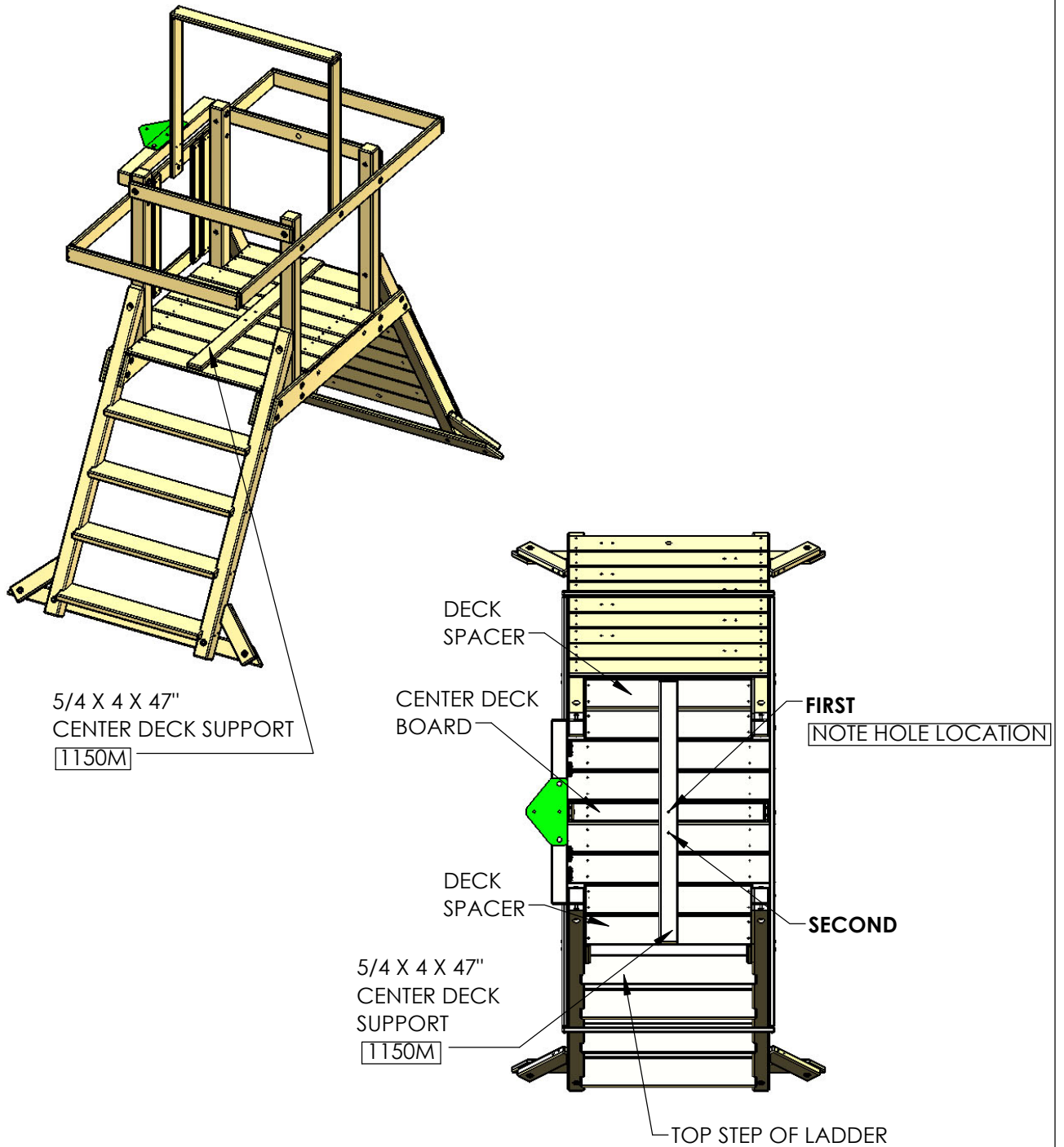


## STEP 24: CENTER DECK SUPPORT

1: PLACE THE CENTER DECK SUPPORT CENTERED BETWEEN THE CORNER POSTS ON TOP OF THE DECK BOARDS. **NOTE: HOLE LOCATION**

2: USE THE CENTER DECK SUPPORT AS A GUIDE TO DRILL TWO 3/8" HOLES INTO THE DECK BOARDS.

3: REMOVE THE CENTER DECK SUPPORT.

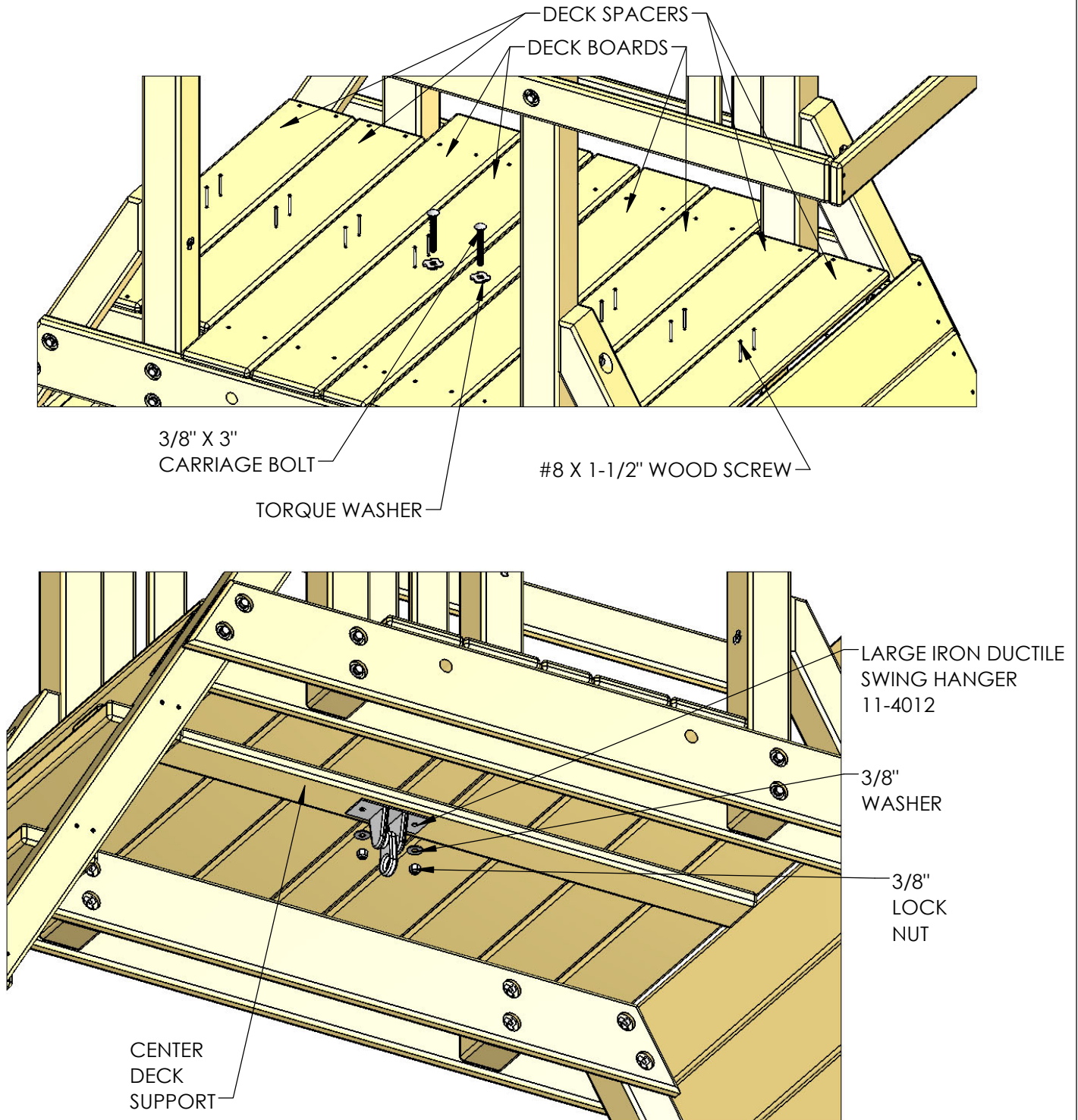


## STEP 25: CENTER DECK SUPPORT AND HANGER

1: PLACE TWO 3/8" X 3" CARRIAGE BOLTS THROUGH A TORQUE WASHER AS SHOWN. USE HAMMER TO SET THE CARRIAGE BOLT AND TORQUE WASHER.

2: LINE THE CENTER DECK SUPPORT WITH THE CARRIAGE BOLTS UNDER THE DECK. PLACE THE LARGE IRON DUCTILE SWING HANGER OVER THE END OF THE CARRIAGE BOLTS. SECURE THE SWING HANGER WITH THE HARDWARE SHOWN.

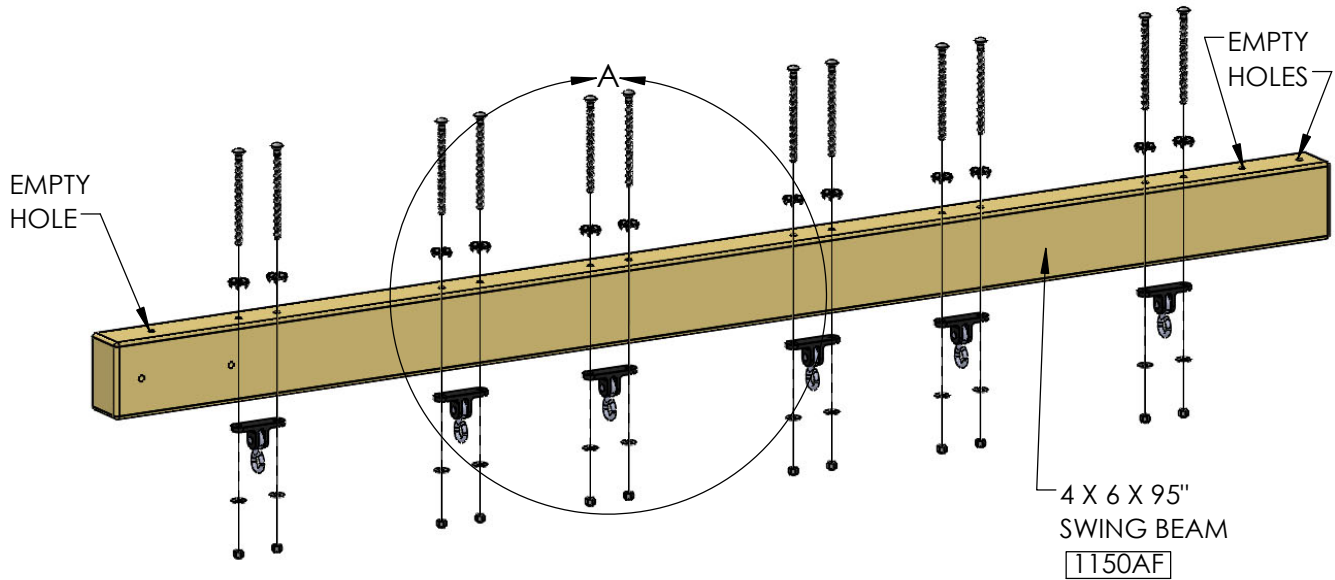
3: SECURE EACH DECK BOARDS AND DECK SPACERS TO THE CENTER DECK SUPPORT WITH THE SCREWS SHOWN.



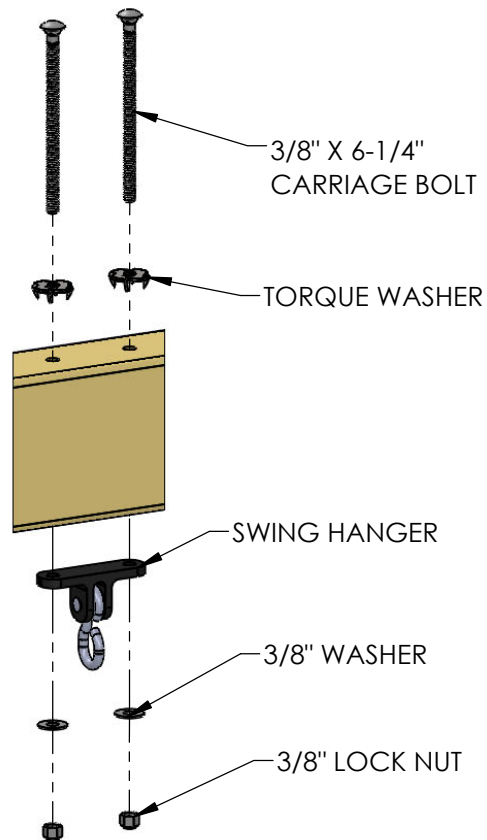
# STEP 26: SWING HANGERS

1: INSTALL SWING HANGERS AS SHOWN.

HINT: USE HAMMER TO TAP BOLT TO SEAT THE TORQUE WASHER TEETH.



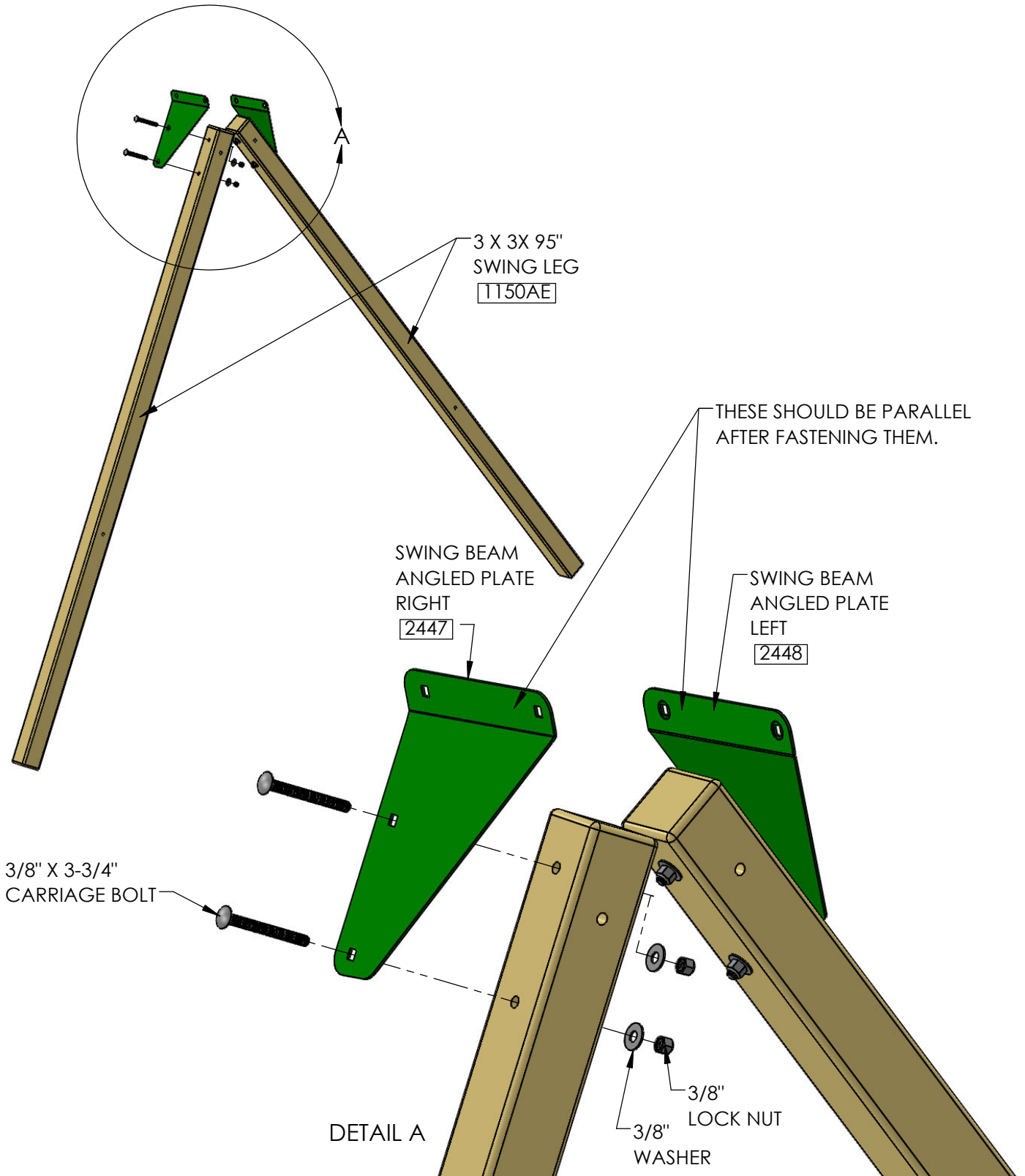
## DETAIL A



# STEP 27: SWING BEAM - ANGLED PLATES

1: INSTALL BRACKETS TO SWING LEGS AS SHOWN.

2: DO NOT TIGHTEN HARDWARE AT THIS POINT.



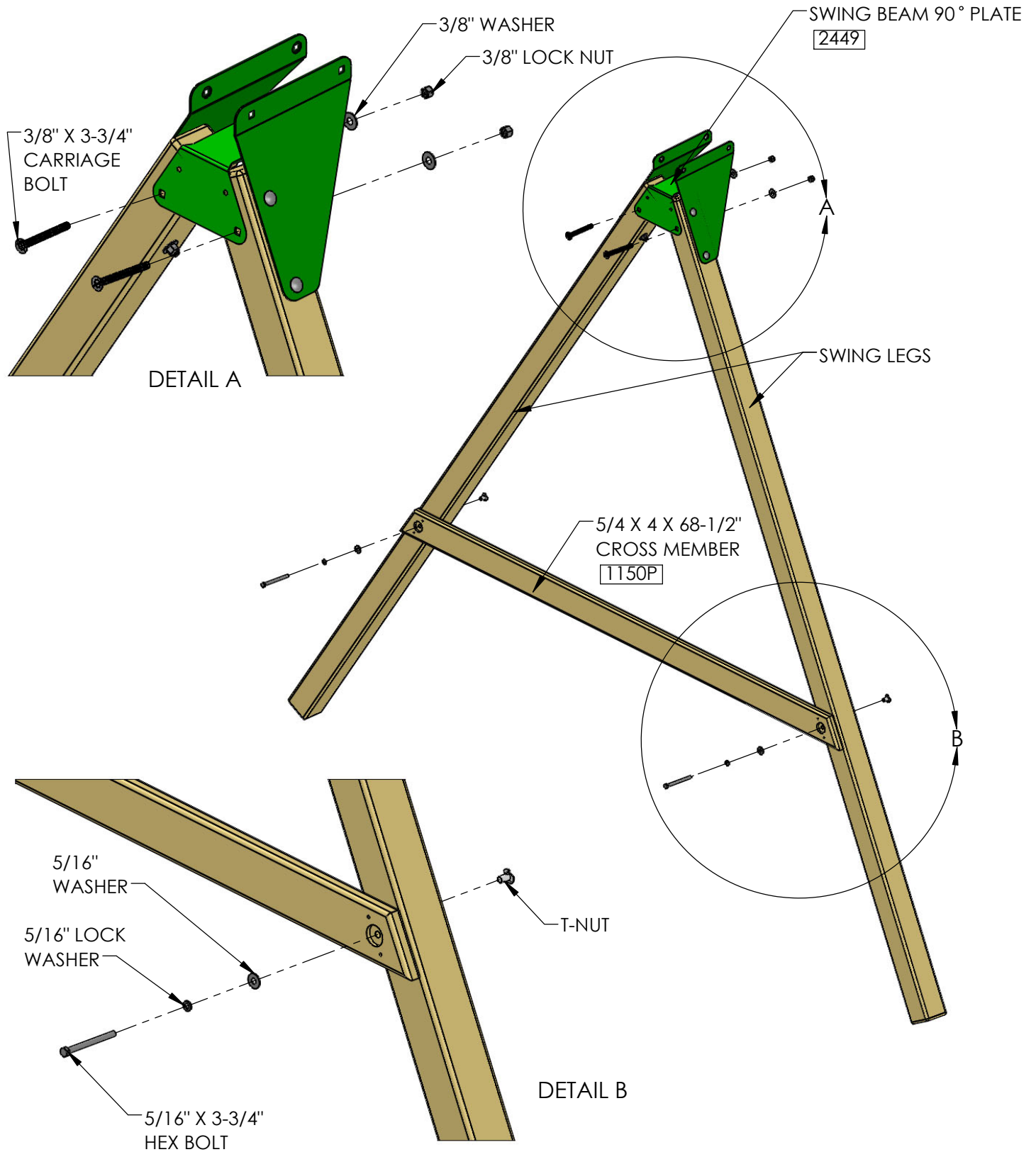


# STEP 28: SWING BEAM - LEGS

1: INSTALL BEAM 90° PLATE AS SHOWN.

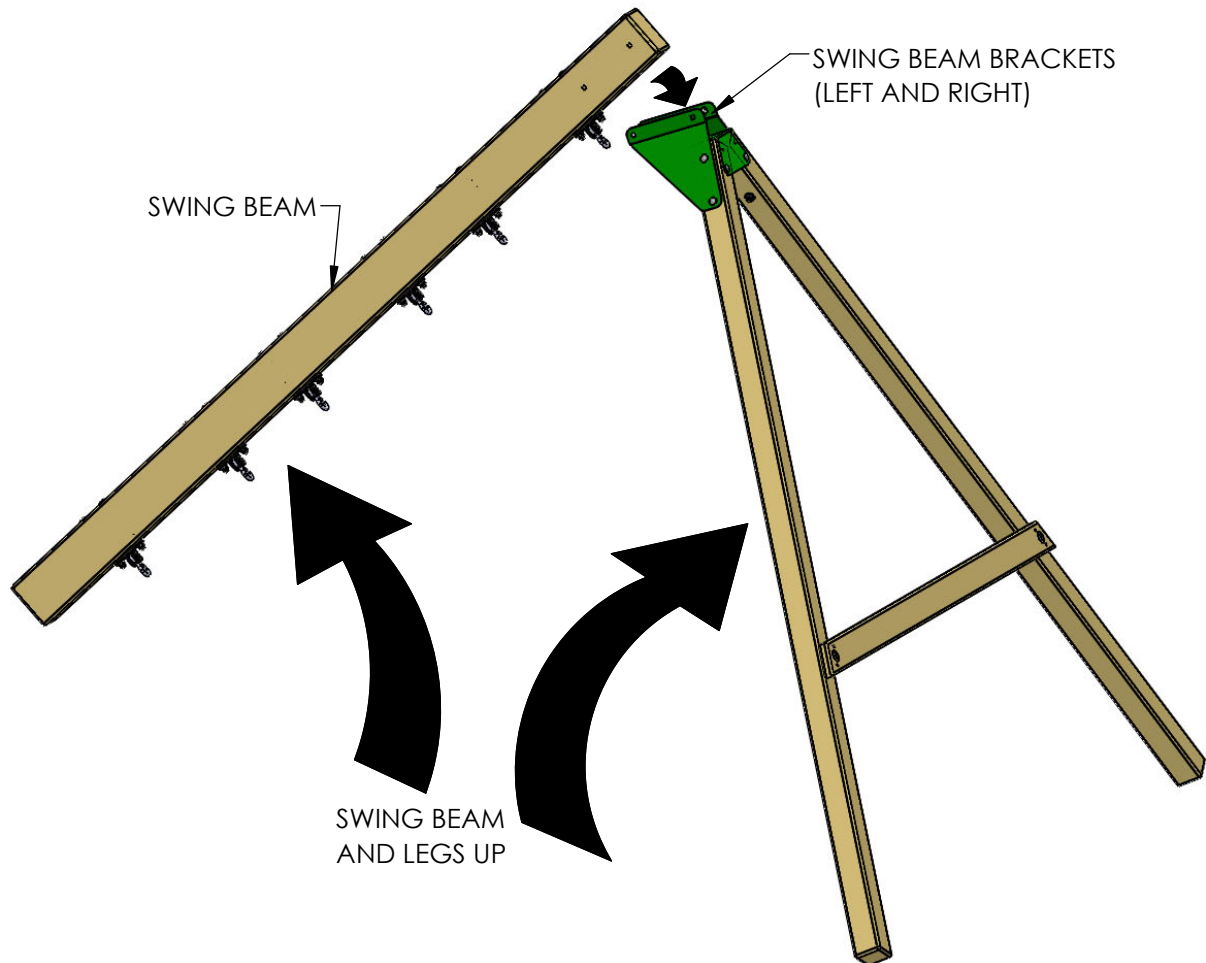
2: ATTACH CROSS MEMBER AS SHOWN.

HINT: USE HAMMER TO INSTALL T-NUTS.



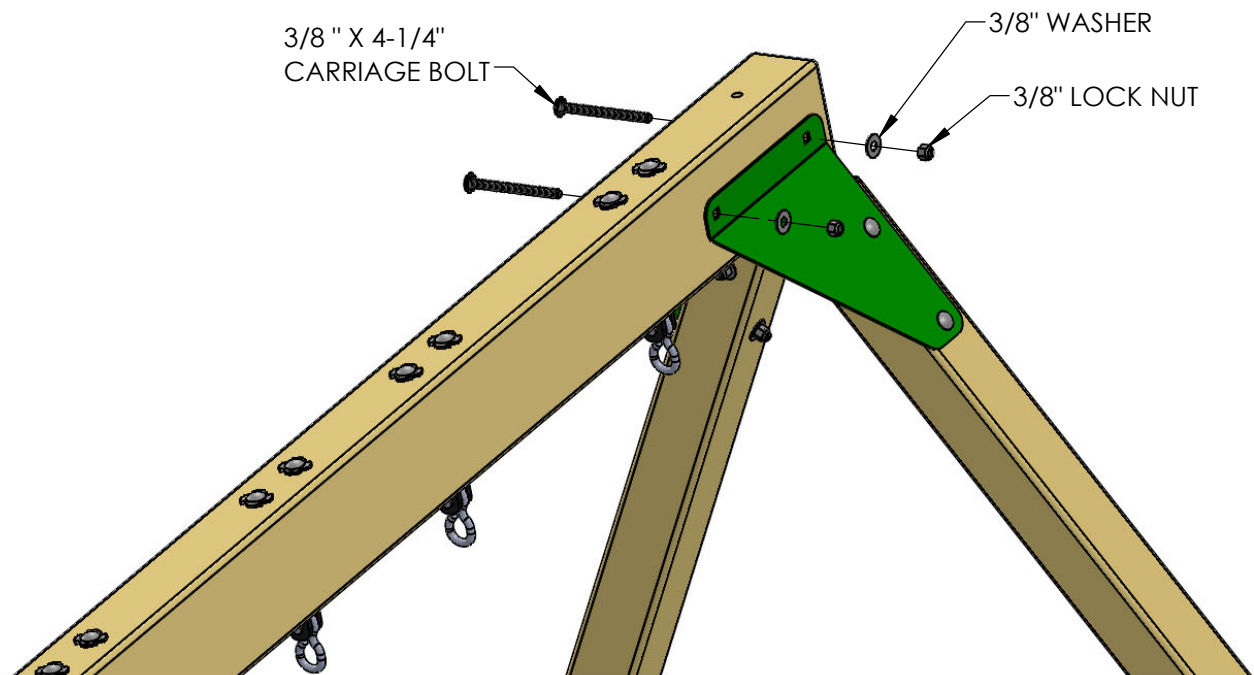
## STEP 29: SWING BEAM TO SWING BEAM LEGS

1: CAREFULLY PLACE THE SWING BEAM BETWEEN THE SWING BEAM BRACKETS (LEFT AND RIGHT) AS SHOWN IN THE DIAGRAM BELOW



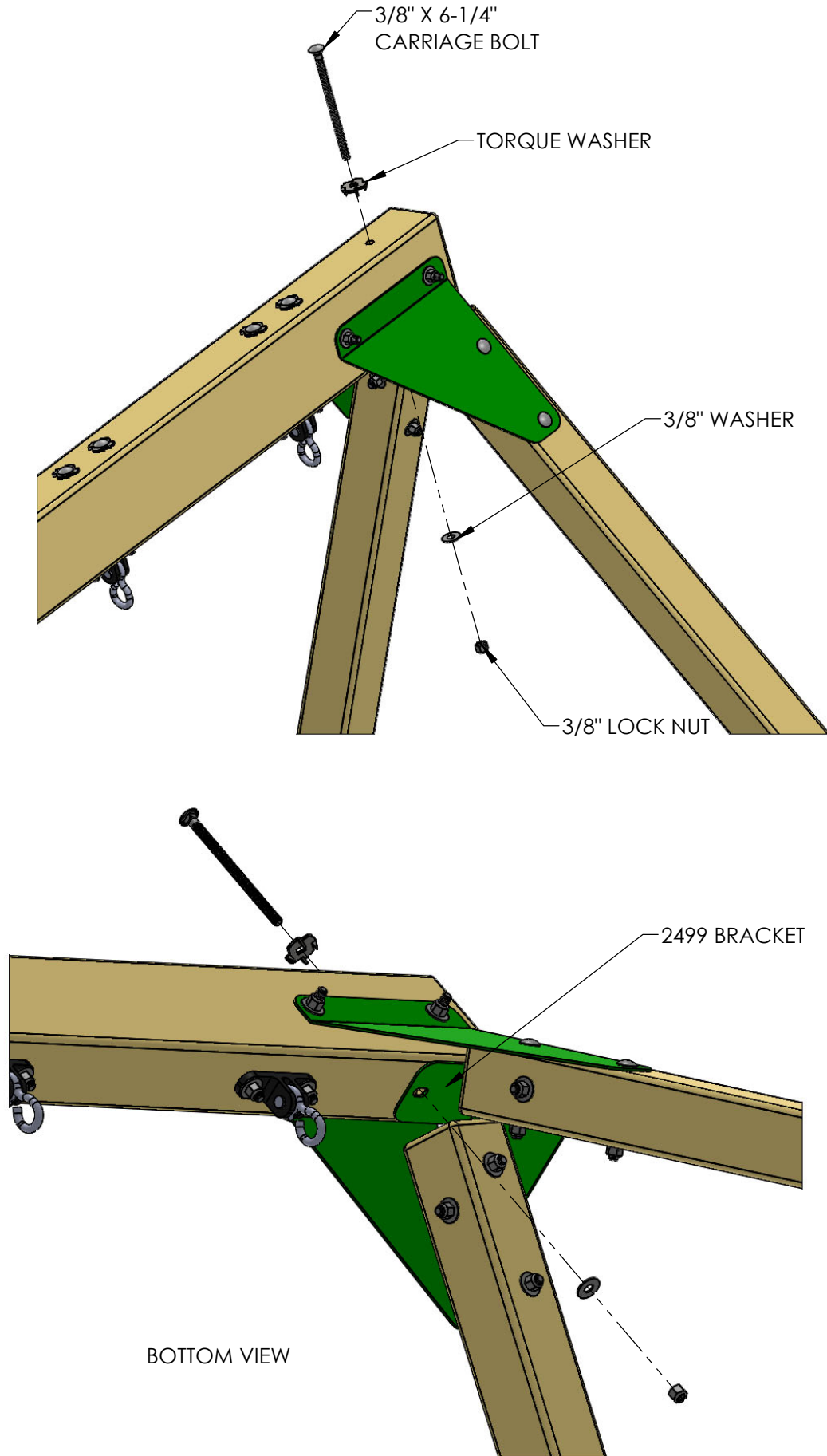
2: ASSEMBLE WITH FASTENERS AS SHOWN

**\*\*DO NOT FULLY TIGHTEN FASTENERS AT THIS POINT.**



# STEP 30: SWING BEAM TO SWING BEAM LEGS

1: FASTEN THE SWING BEAM TO THE 2499 BRACKET WITH THE HARDWARE SHOWN.

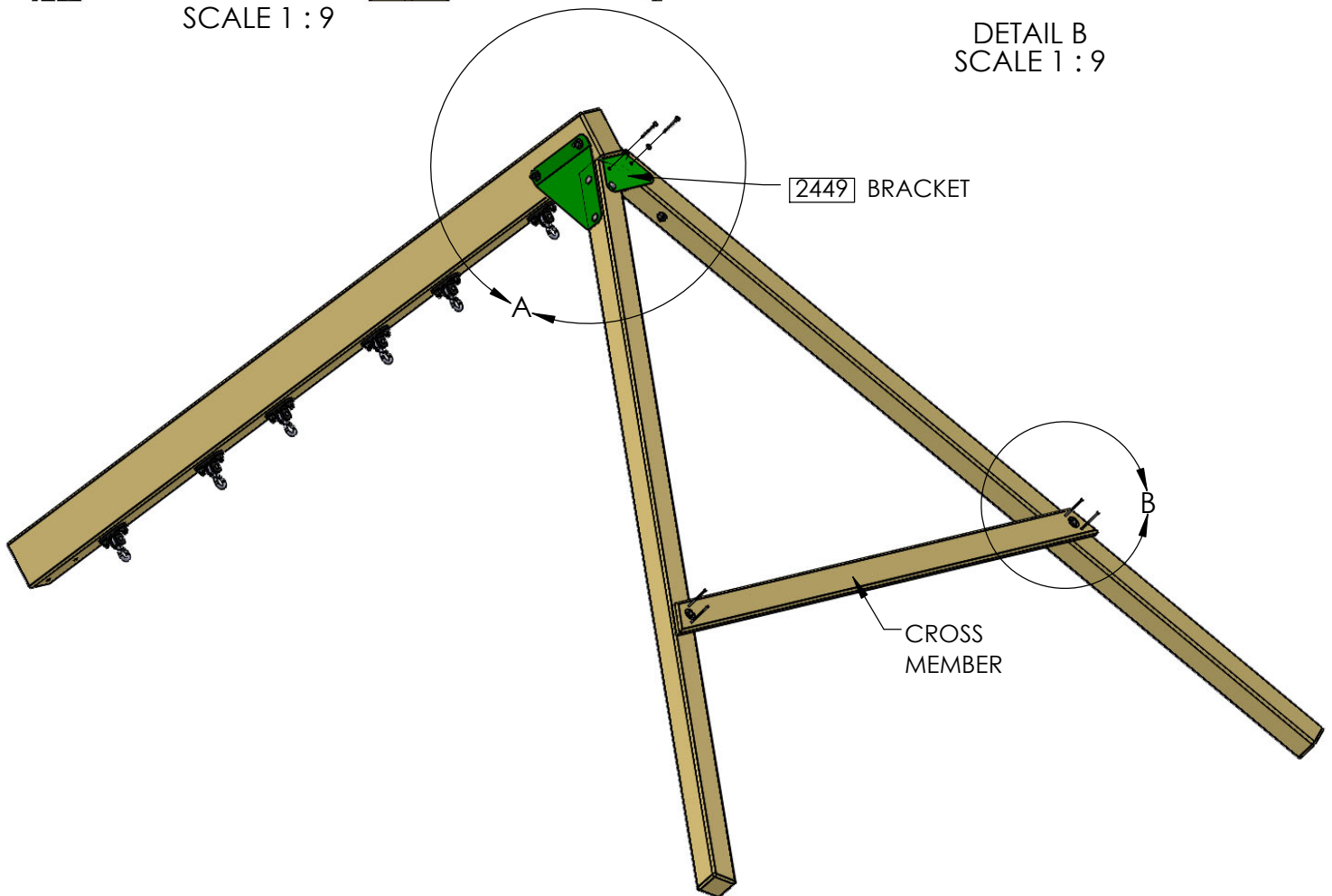
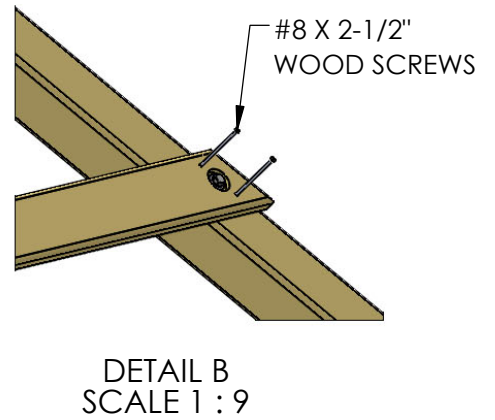
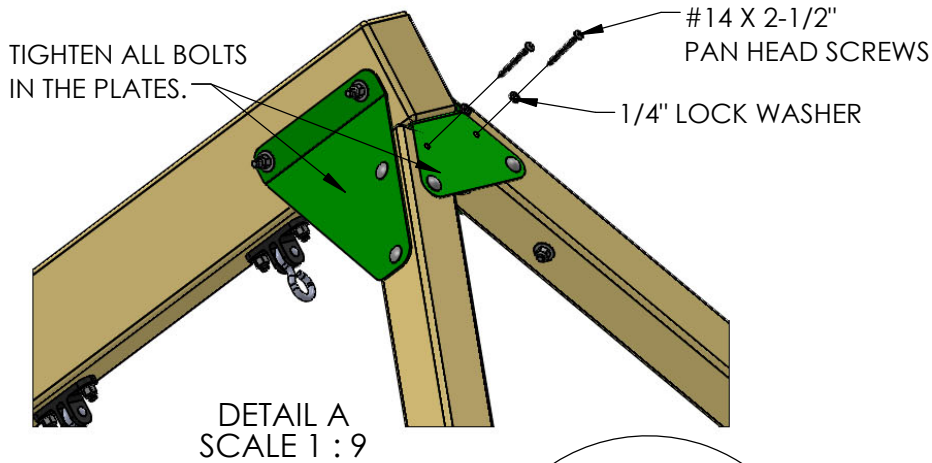




# STEP 31: SWING BEAM - SCREWS

1: TIGHTEN UP ALL OF THE BOLTS AT THIS TIME.

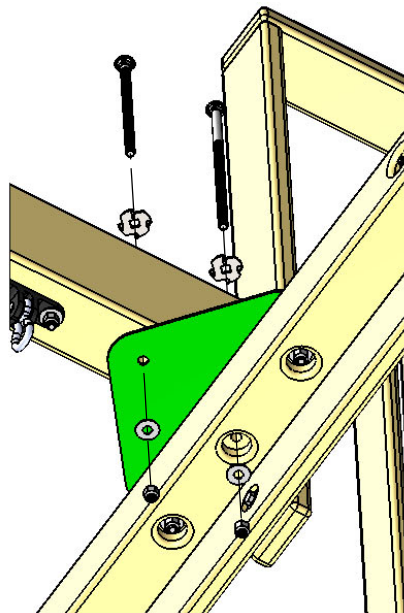
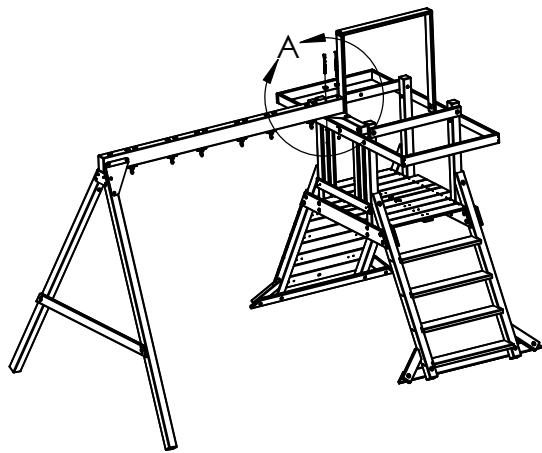
2: INSTALL SCREWS AS SHOWN BELOW.



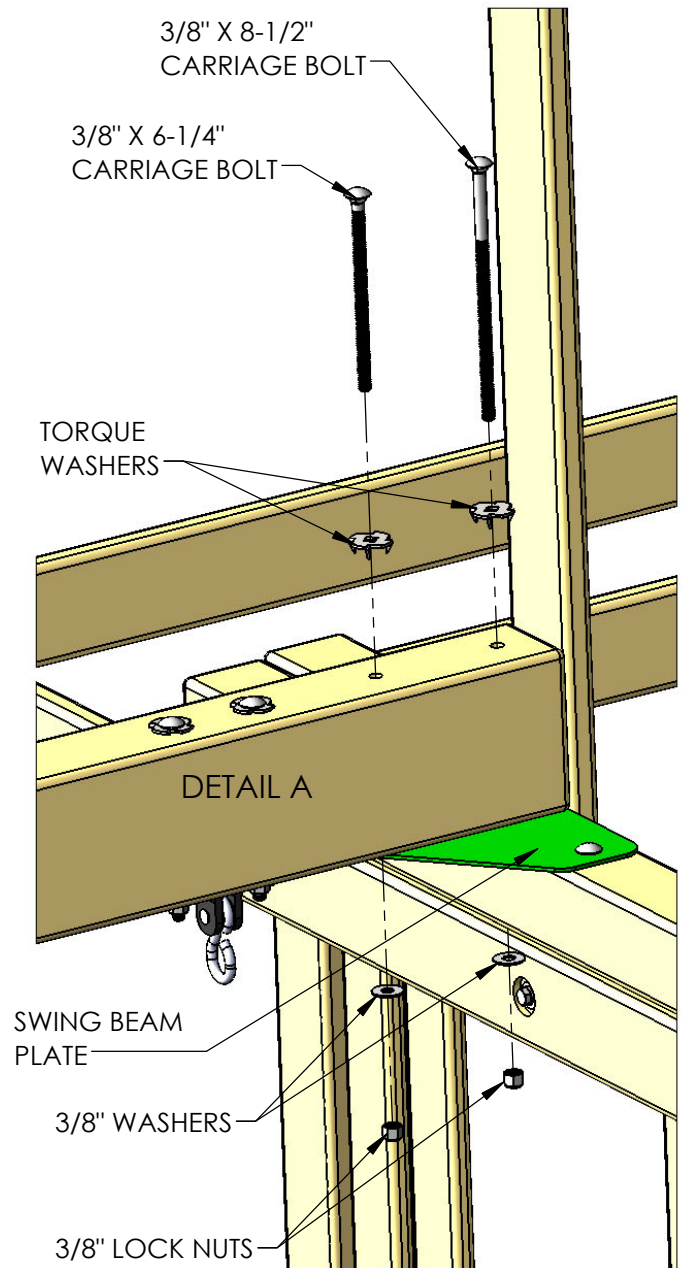
# STEP 32: SWING BEAM - ATTACH TO PLAY SET

1: PLACE SWING BEAM ON SWING BEAM PLATE AND ATTACH AS SHOWN.

HINT: USE HAMMER TO TAP BOLT TO SEAT THE TORQUE WASHER.



BOTTOM VIEW

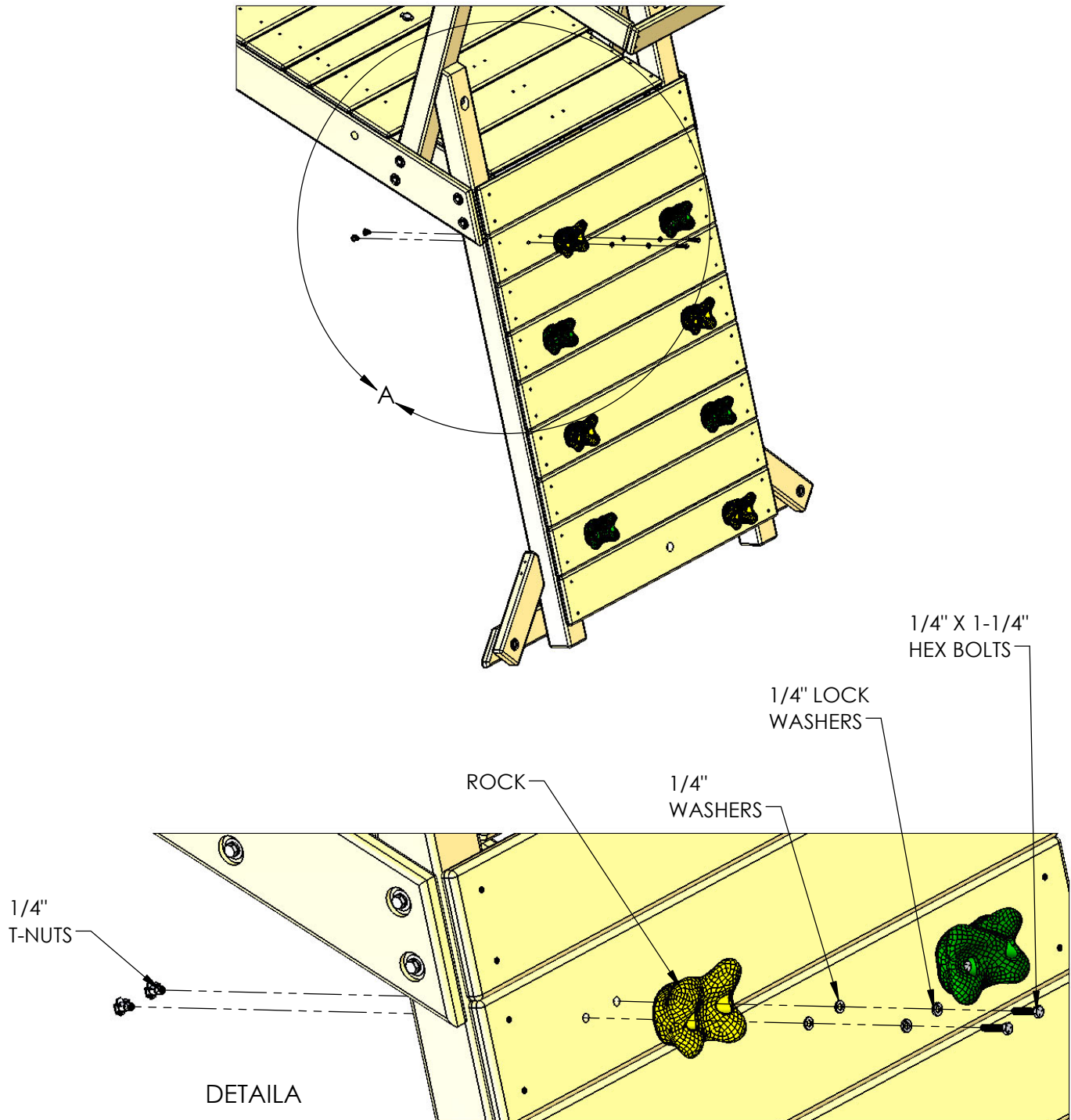


## STEP 33: INSTALLING THE ROCKS

THE ROCK BAG INCLUDES THE HARDWARE REQUIRED TO FASTEN THE ROCKS TO THE BOARDS.

1: HAMMER TWO T-NUTS INTO THE BACK SIDE OF THE ROCK WALL BOARDS WITH PRE-DRILLED HOLES

2: FASTEN EACH ROCK TO THE ROCK WALL BOARD WITH THE HARDWARE SHOWN.



## STEP 34: CLIMBING ROPE

1: THREAD THE 10' ROPE AS SHOWN IN THE DIAGRAM BELOW.

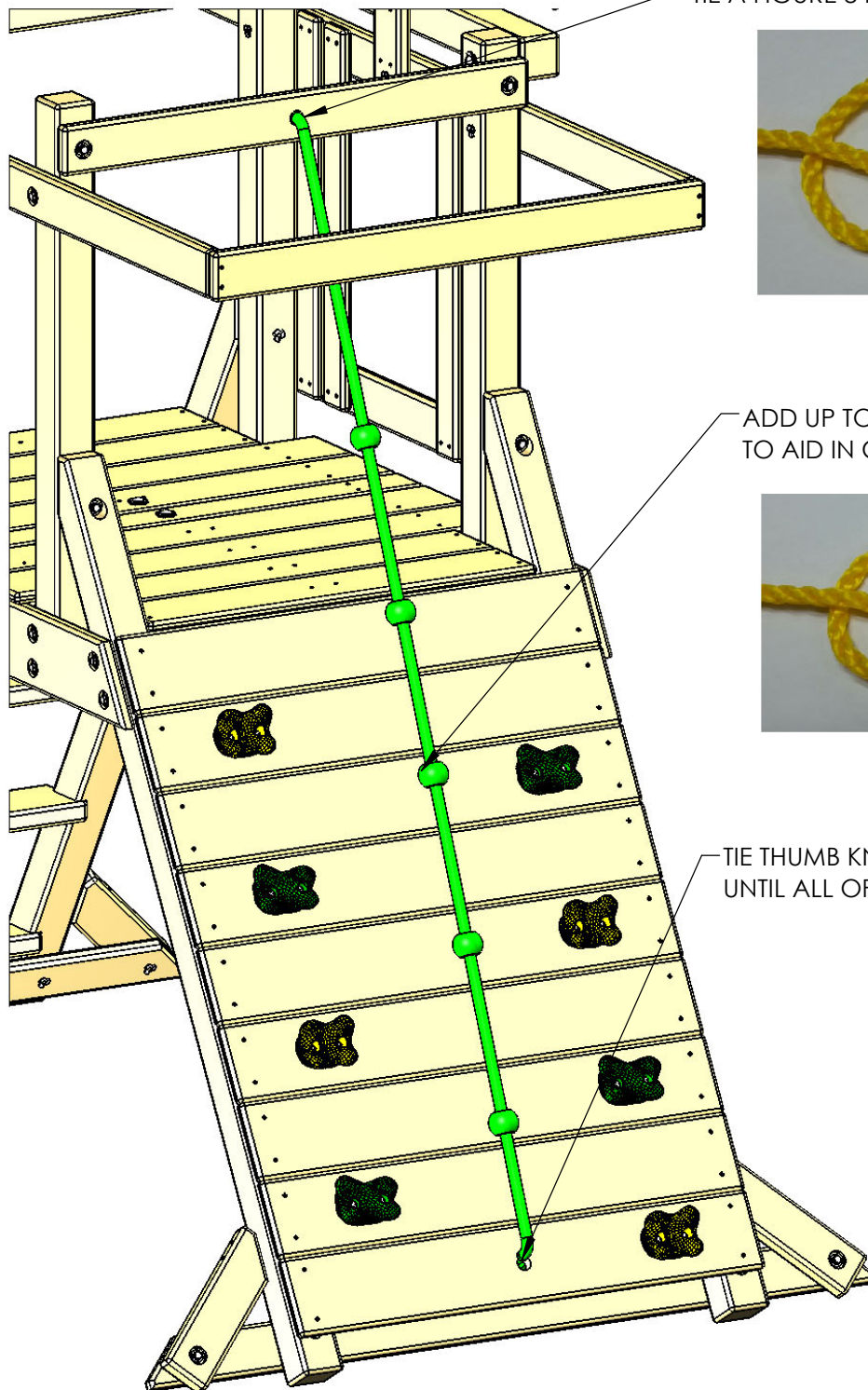
TIE A FIGURE 8 KNOT BEHIND THIS HOLE.



ADD UP TO 5 THUMB KNOTS TO AID IN CLIMBING.



TIE THUMB KNOTS BEHIND THIS HOLE UNTIL ALL OF THE ROPE IS USED.



**FOR SAFETY, ENSURE THAT THE ROPE IS TIGHT ENOUGH SO THAT IT CANNOT BE LOOPED BACK ON ITSELF.**

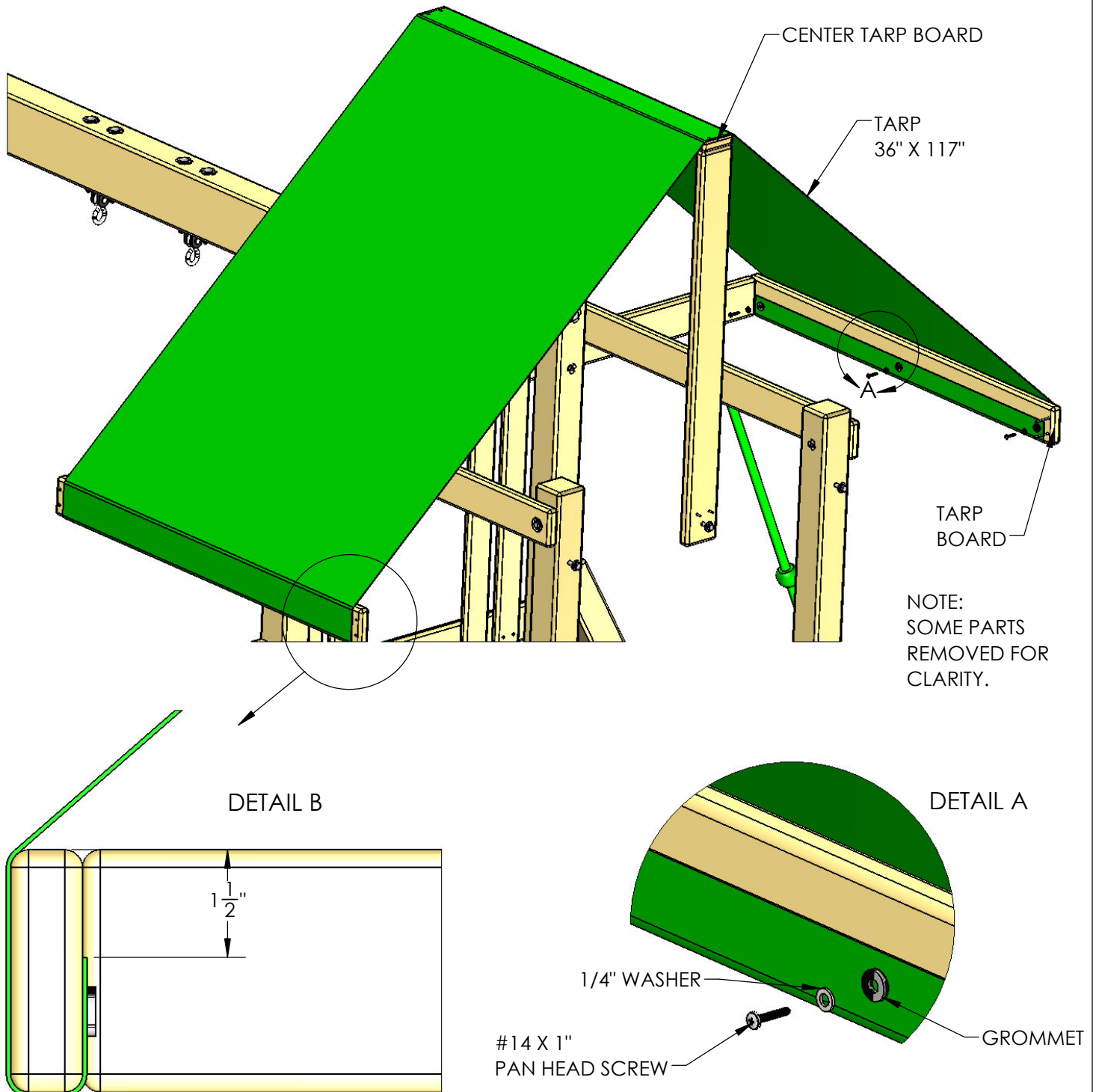
KEEP TYING THUMB KNOTS AT THE BOTTOM END OF ROPE UNTIL THERE IS NO REMAINING LOOSE ROPE.

**DO NOT CUT ENDS OF ROPE.**



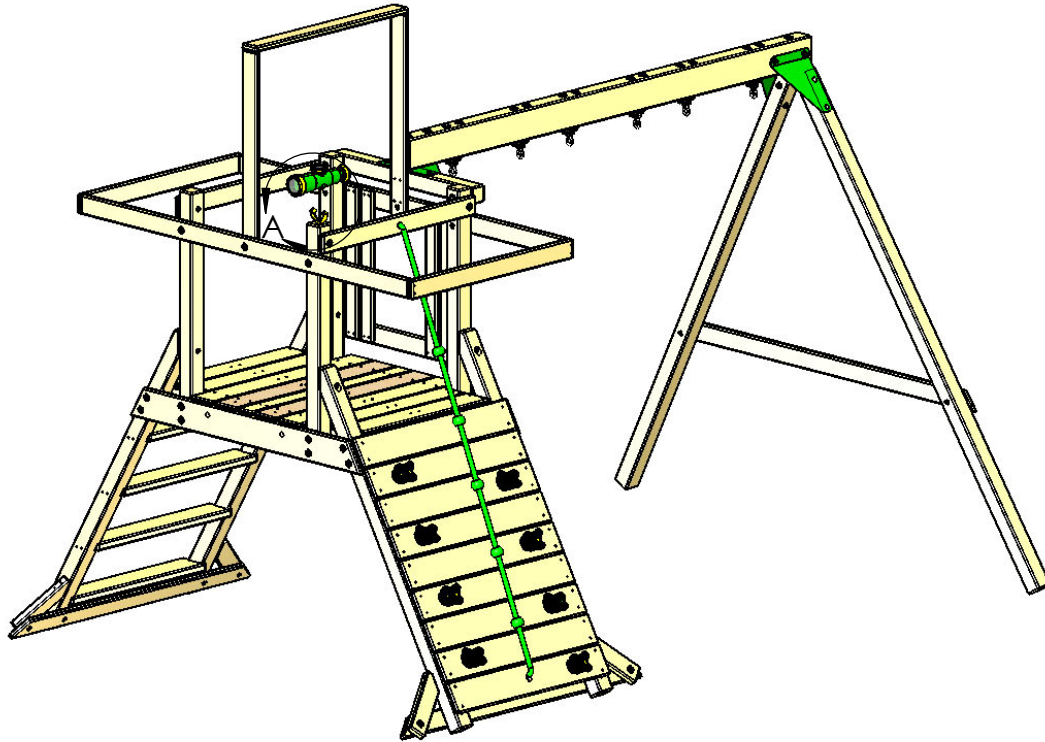
## STEP 35: TARP

- 1: LAY THE TARP OVER THE TOP OF THE CENTER TARP BOARD AND MAKE SURE THE HEM SIDE FACES DOWN.
- 2: WRAP TARP AT ONE END HOLDING TARP END 1-1/2" (DETAIL B) FROM TOP.
- 3: PRE-DRILL 1/8" HOLES AT THE GROMMETS AND ATTACH AS SHOWN (DETAIL A).
- 4: PULL TARP TIGHT AT THE OTHER END. MARK AND THEN PRE-DRILL 1/8" HOLES AT GROMMETS. ATTACH AS SHOWN.

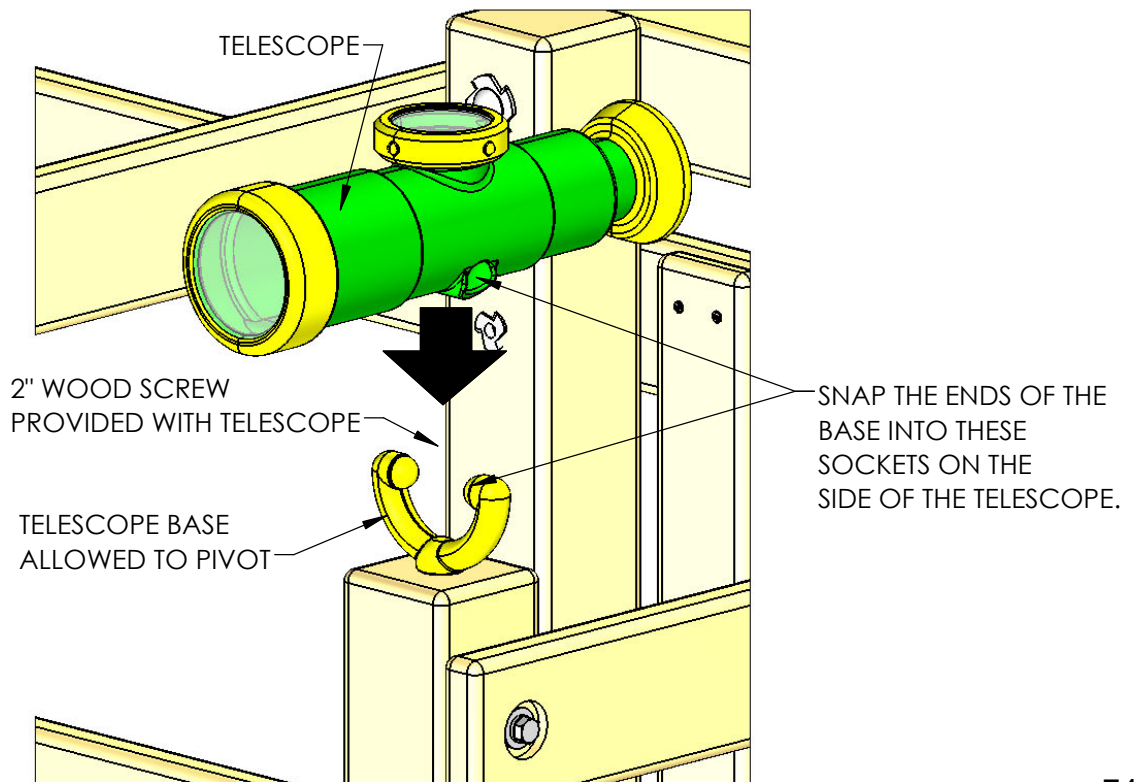


# STEP 36: TELESCOPE

1: MOUNT TELESCOPE AS SHOWN.

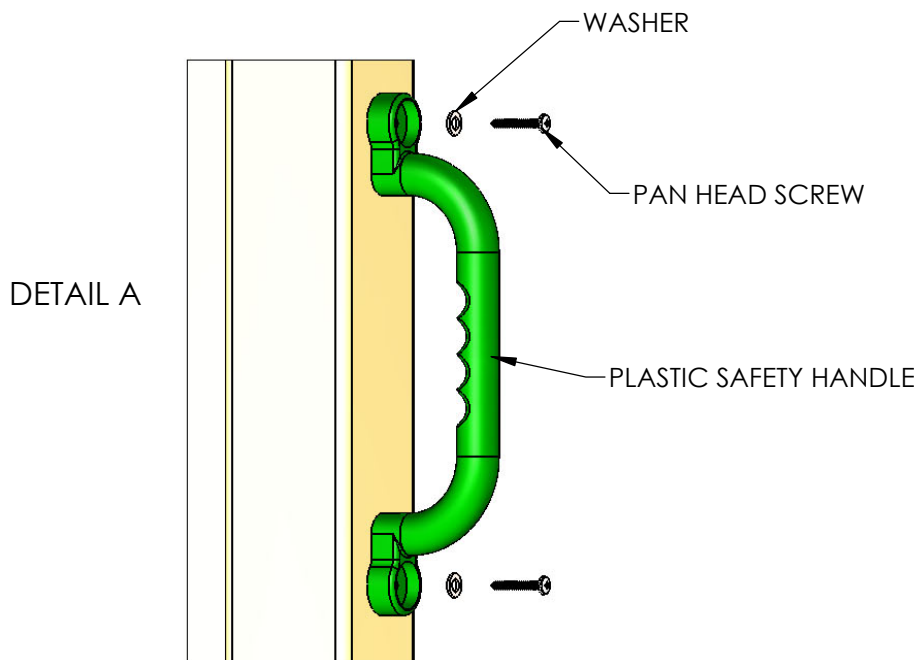
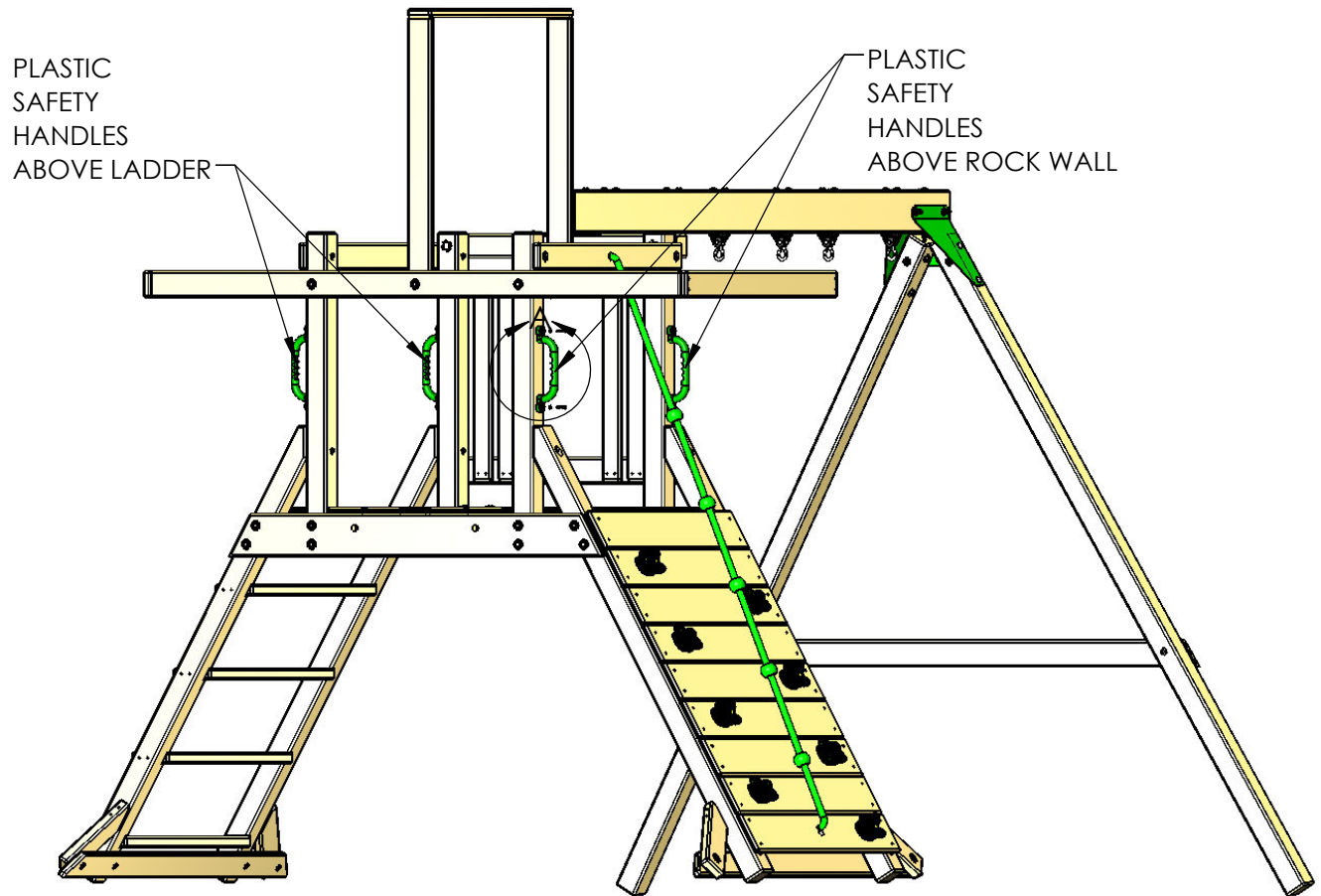


DETAIL A



# STEP 37: SAFETY HANDLES

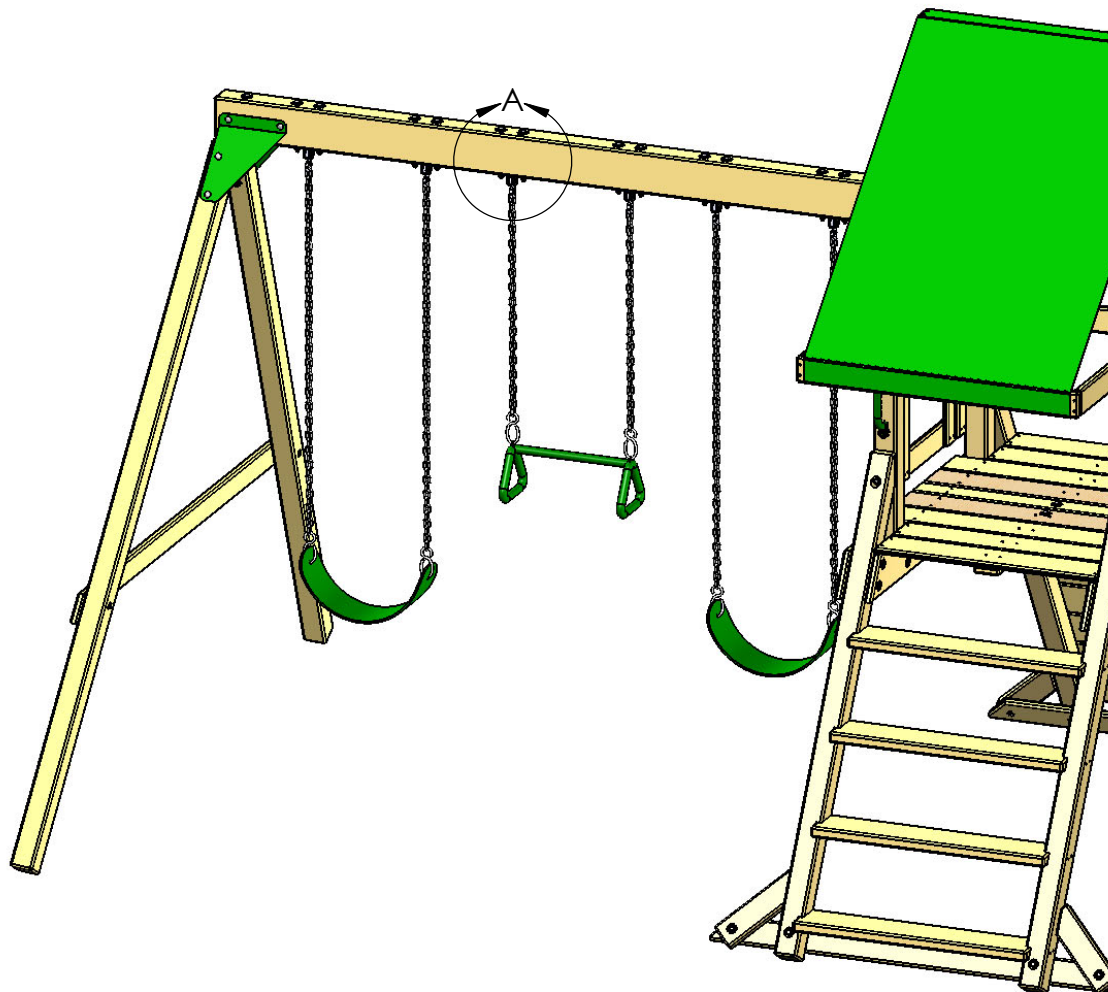
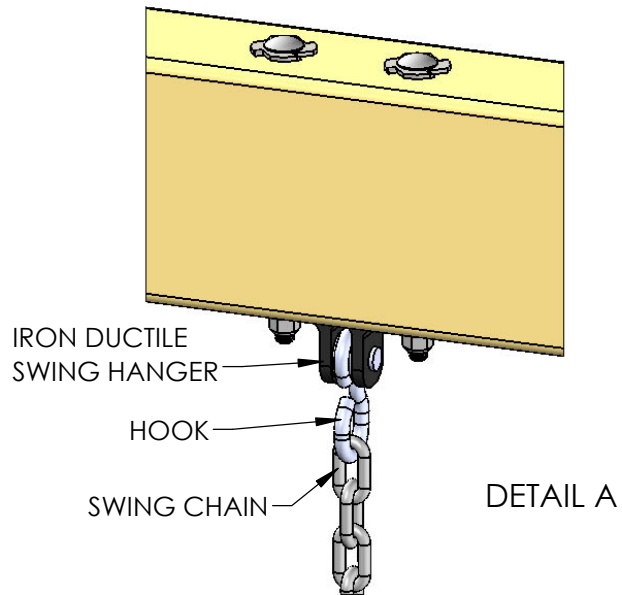
1: INSTALL SAFETY HANDLES AS SHOWN WITH THE HARDWARE INCLUDED.



## STEP 38: HANGING THE SWINGS

1: PLACE CHAINS ON SWING HANGER.

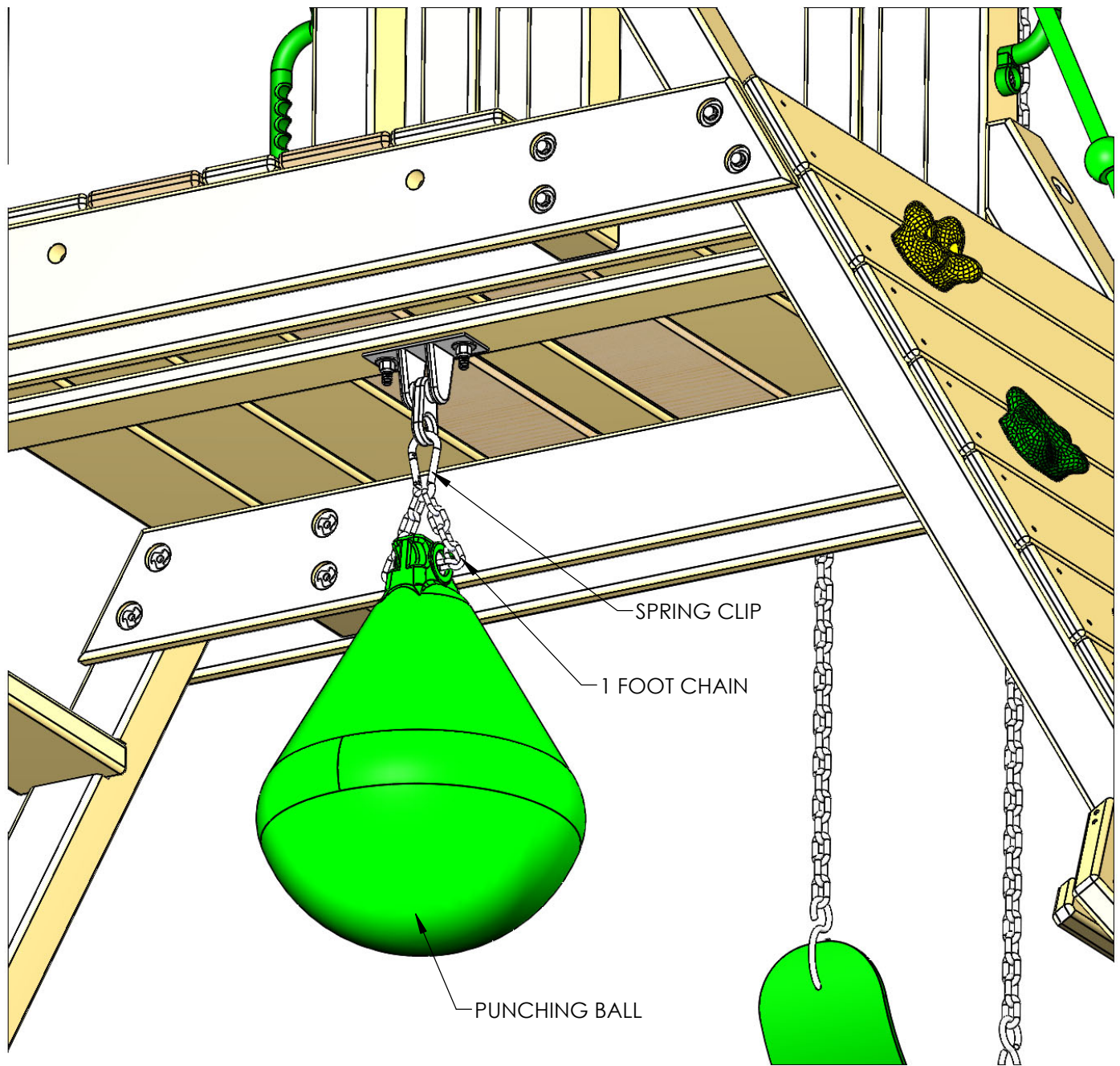
2: ADJUST HEIGHT AS REQUIRED.





## STEP 39: PUNCHING BALL

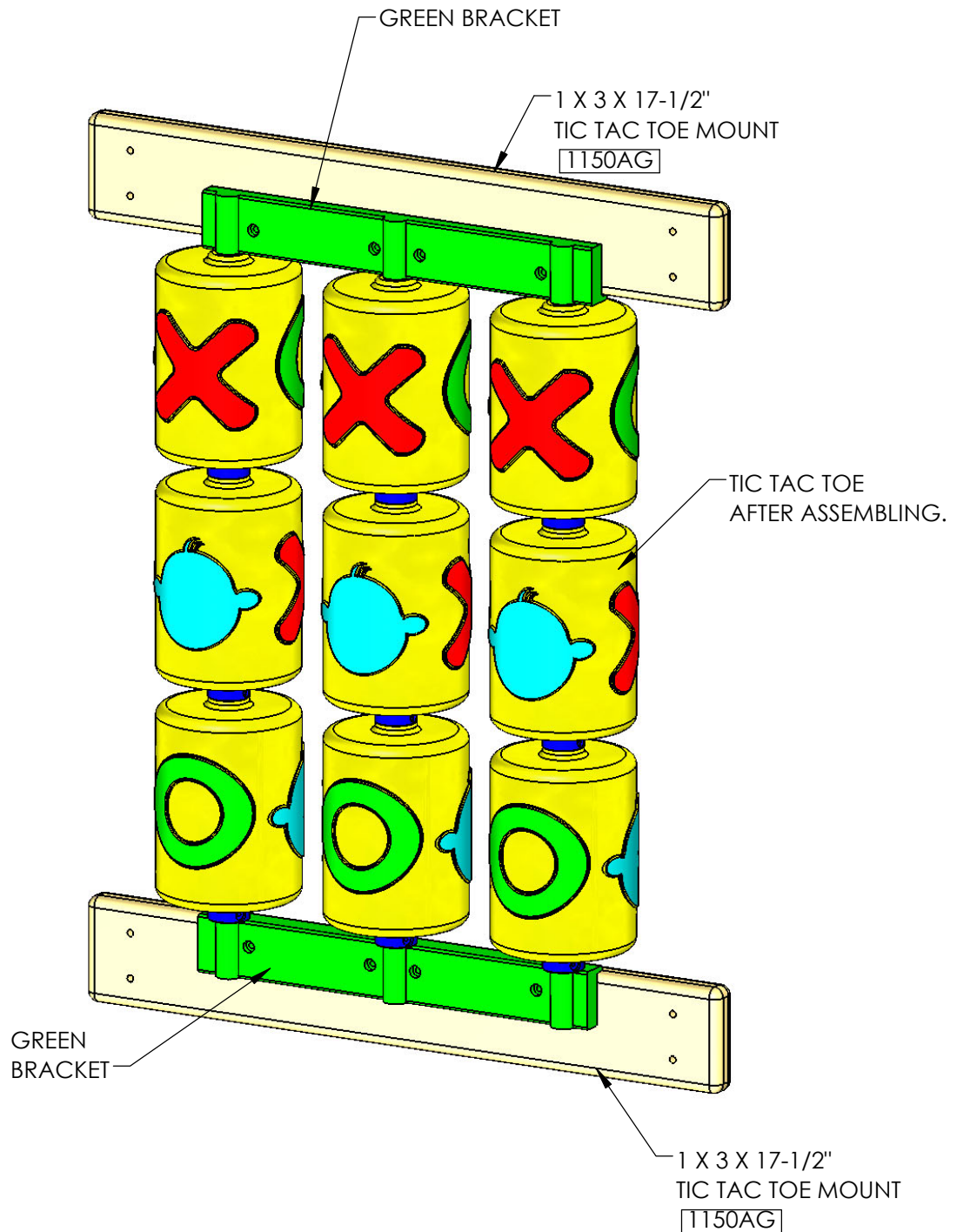
- 1: PLACE THE 1 FOOT SECTION OF CHAIN THROUGH THE HOLE IN THE PUNCHING BALL.
- 2: SNAP THE SPRING CLIP ONTO THE IRON DUCTILE SWING HANGER UNDER THE PLAY SET DECK.
- 3: SNAP THE ENDS OF THE CHAIN ONTO THE SPRING CLIP.



## STEP 40: TIC TAC TOE ASSEMBLY

1: FOLLOW THE INSTRUCTIONS IN THE BOX TO ASSEMBLE THE TIC TAC TOE OMITTING STEPS 6 AND 7.

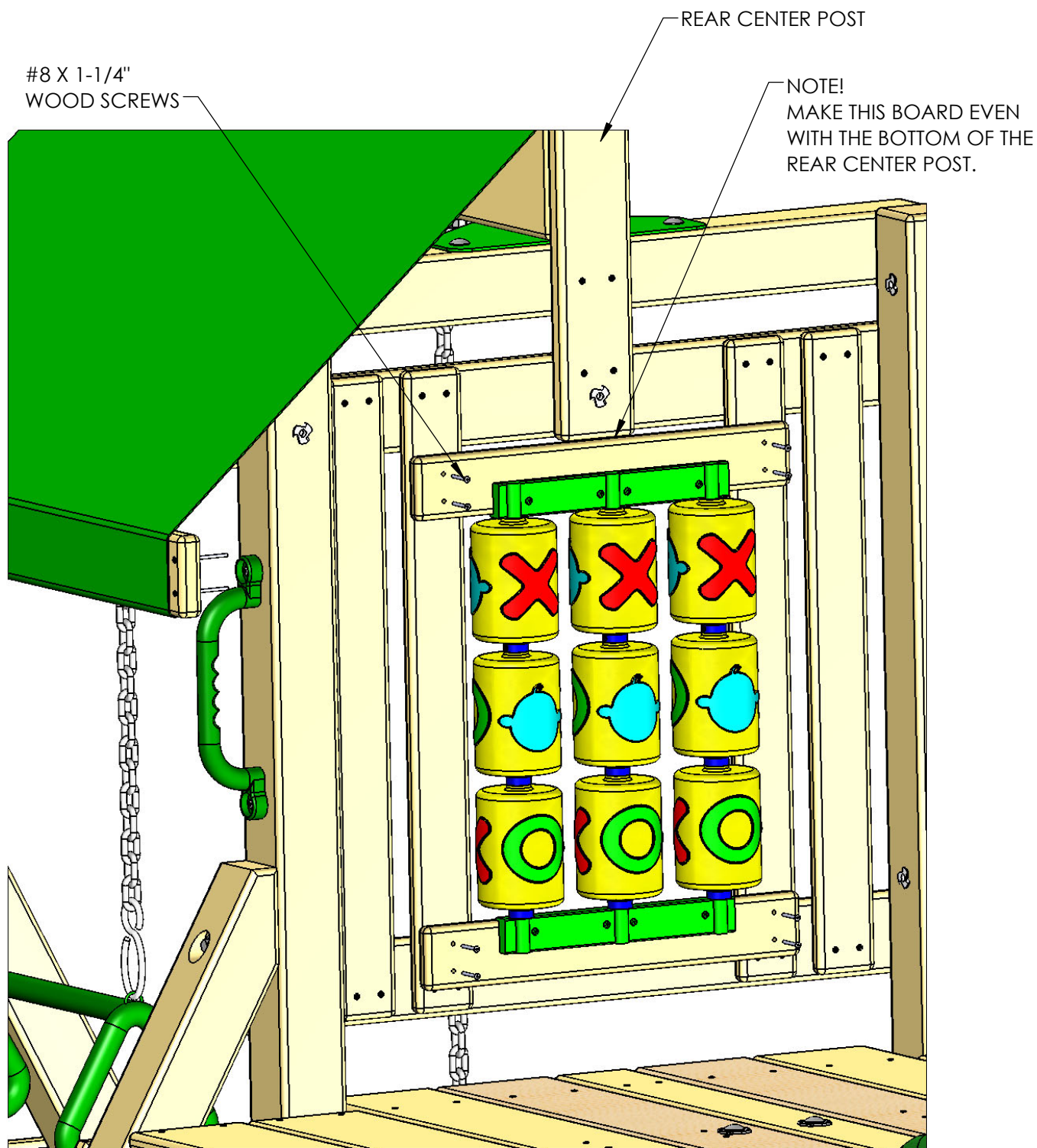
2: USE THE SCREWS INCLUDED WITH THE TIC TAC TOE TO ATTACH THE GREEN BRACKETS TO THE TIC TAC TOE MOUNTS. EACH GREEN BRACKET SHOULD BE CENTERED OVER THE TIC TAC TOE MOUNT.



## STEP 41: TIC TAC TOE INSTALLATION

1: CENTER THE TIC TAC TOE SIDE TO SIDE.

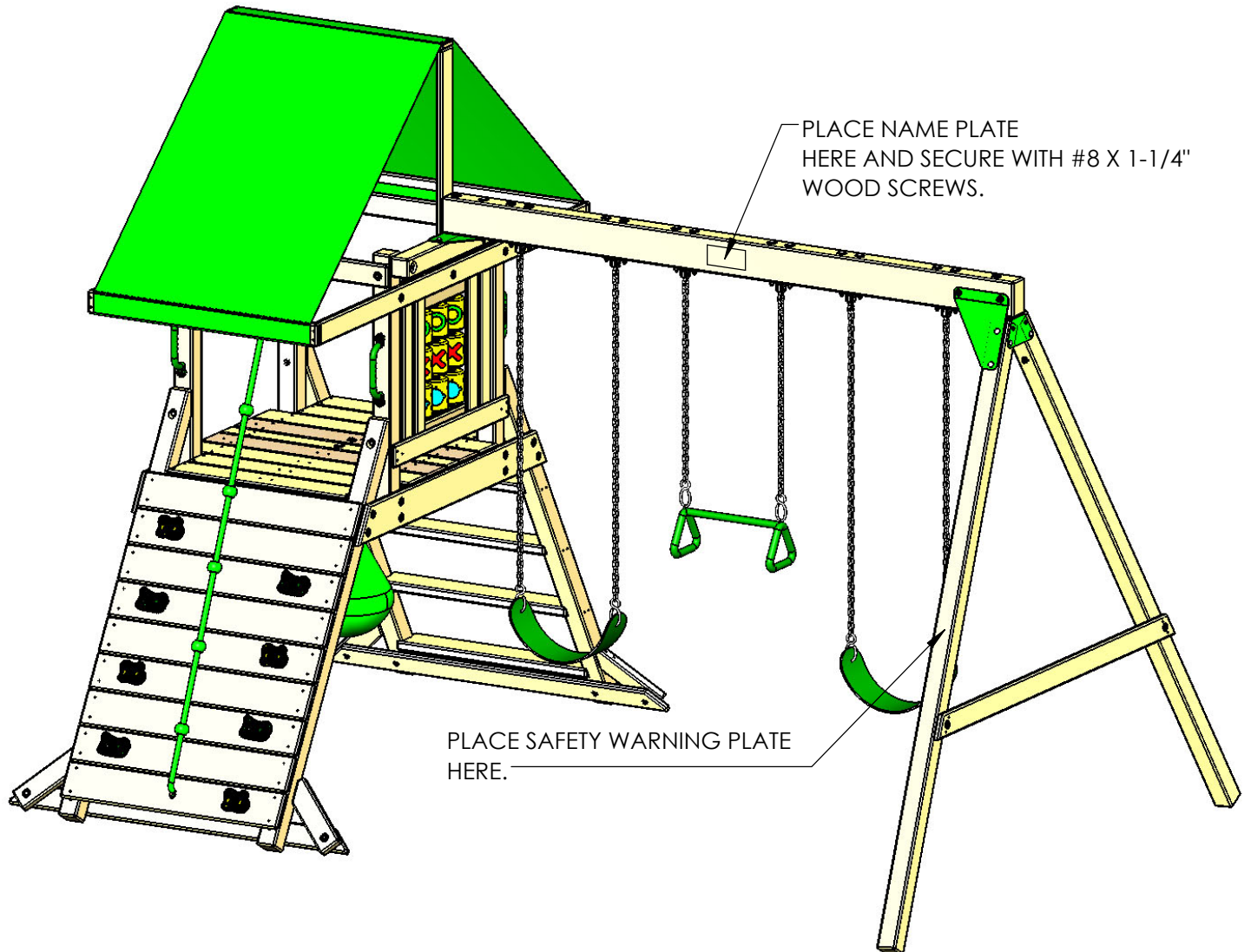
2: FASTEN THE TIC TAC TOE TO THE PANEL SLATS WITH SCREWS SHOWN.



## STEP 42: NAME PLATE/SAFETY WARNING PLATE

1: ATTACH THE ALUMINUM NAME PLATE CENTERED ON THE FRONT OF THE SWING BEAM WITH #8 X 1-1/4" WOOD SCREWS.

2: FASTEN THE SAFETY WARNING PLATE WITH THE SCREWS PROVIDED WITH IT.

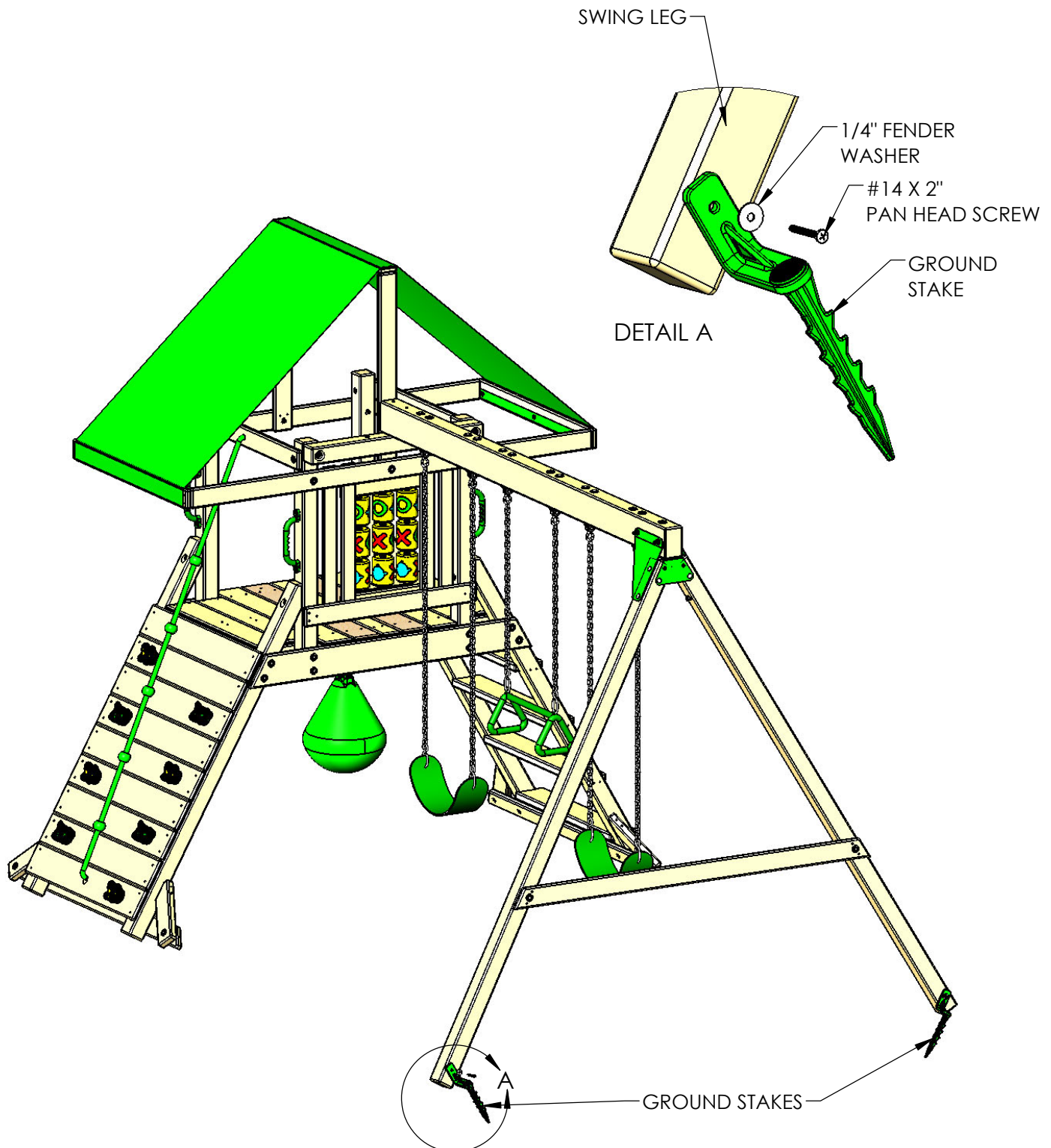




## STEP 43: GROUND STAKES

1: HAMMER A GROUND STAKE INTO THE EARTH NEXT TO EACH SWING LEG AT AN ANGLE. DO NOT HOLD THE UPPER PORTION OF THE STAKE.

2: ATTACH TO THE SWING LEG WITH THE HARDWARE PROVIDED WITH THE GROUND STAKE.

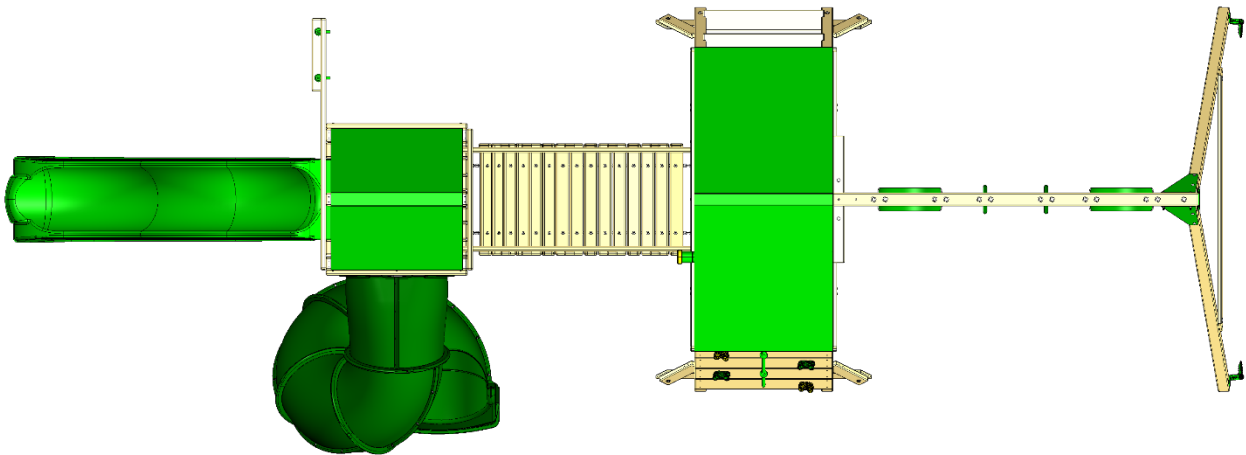


**Choose your Build Option at this point please:**

BUILD OPTION A is on pages 82 -120. Then skip to the Appendix to install the clatter bridge mesh panels.

BUILD OPTION B is on pages 121-159. Afterwards go to the Appendix to install the clatter bridge mesh panels.

**BUILD OPTION A AS SHOWN BELOW  
FOLLOWS AFTER THIS PAGE.**



# STEP 1: ATTACHING T-NUTS TO THE CORNER POSTS

1: THIS STEP IS CRITICAL TO BUILDING THE FORT PROPERLY. IF ANY MISTAKES ARE MADE HERE, YOU WILL NEED TO DIS-ASSEMBLE AND THEN RE-ASSEMBLE TO MAKE YOUR CORRECTIONS.

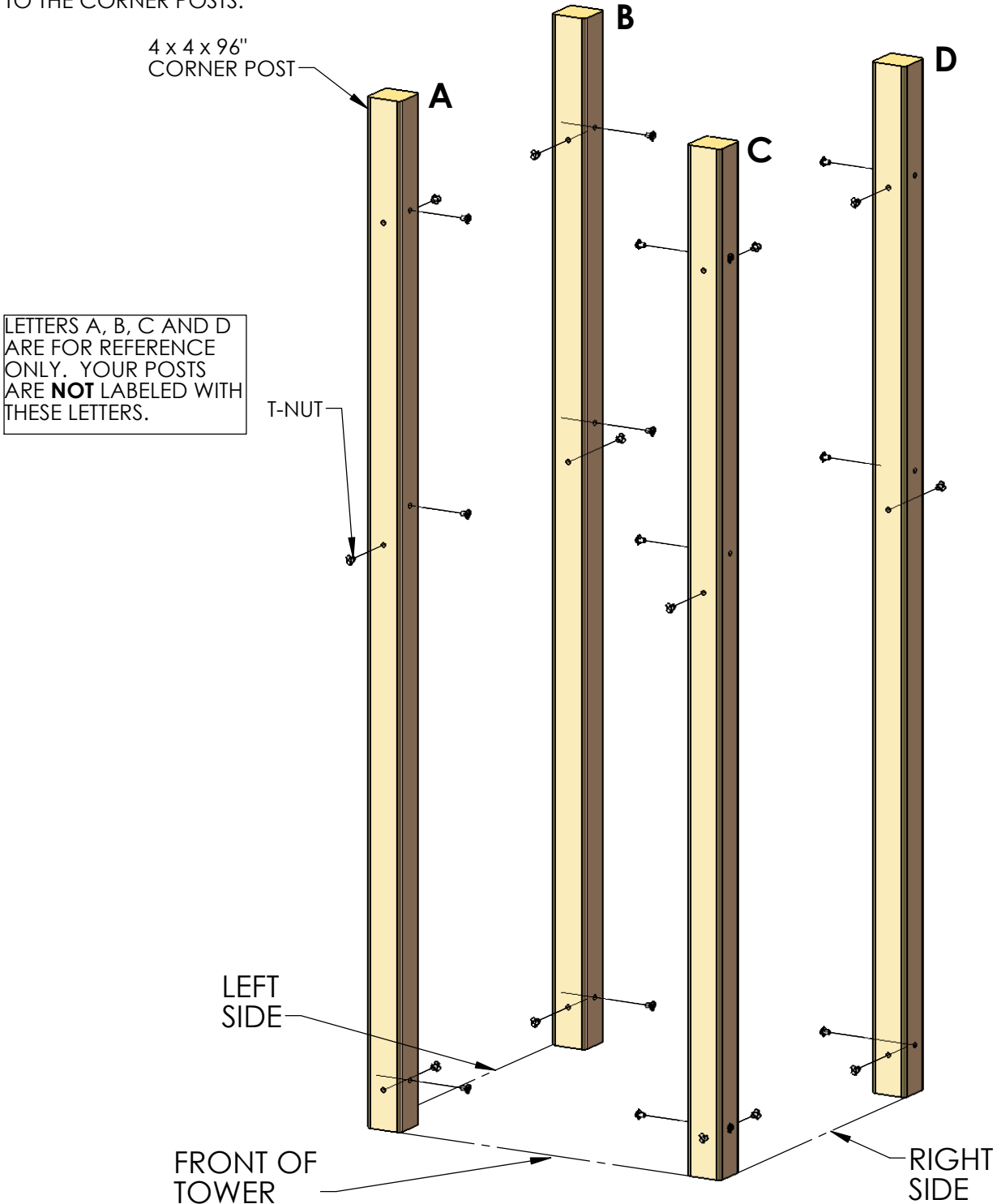
2: MAKE SURE HOLES ARE FREE OF ANY OBSTRUCTIONS. USE A BOLT TO CLEAN OUT ANY DEBRIS.

3: LAY OUT EACH OF THE 4 X 4 X 96" CORNER POSTS IN THE AREA YOU INTEND ON BUILDING THE TOWER OF THE CLATTER BRIDGE.

4: USE THE DIAGRAM BELOW TO CORRECTLY IDENTIFY AND ORIENT THE NECESSARY DIRECTION THE POSTS SHOULD FACE. NOTE LETTERS A, B, C AND D ARE FOR REFERENCE ONLY. YOUR POSTS ARE **NOT** LABELED WITH THESE LETTERS.

5: USE A HAMMER TO SEAT THE T-NUTS AFTER INSERTING THEM INTO THE HOLES SHOWN IN THE DIAGRAM BELOW.

6: THE BARREL OF THE T-NUT SHOULD GO IN THE HOLE FIRST. HAMMER THE T-NUT UNTIL IT IS FLUSH/ALMOST FLUSH TO THE CORNER POSTS.





## STEP 2: ASSEMBLING THE RIGHT SIDE FRAME

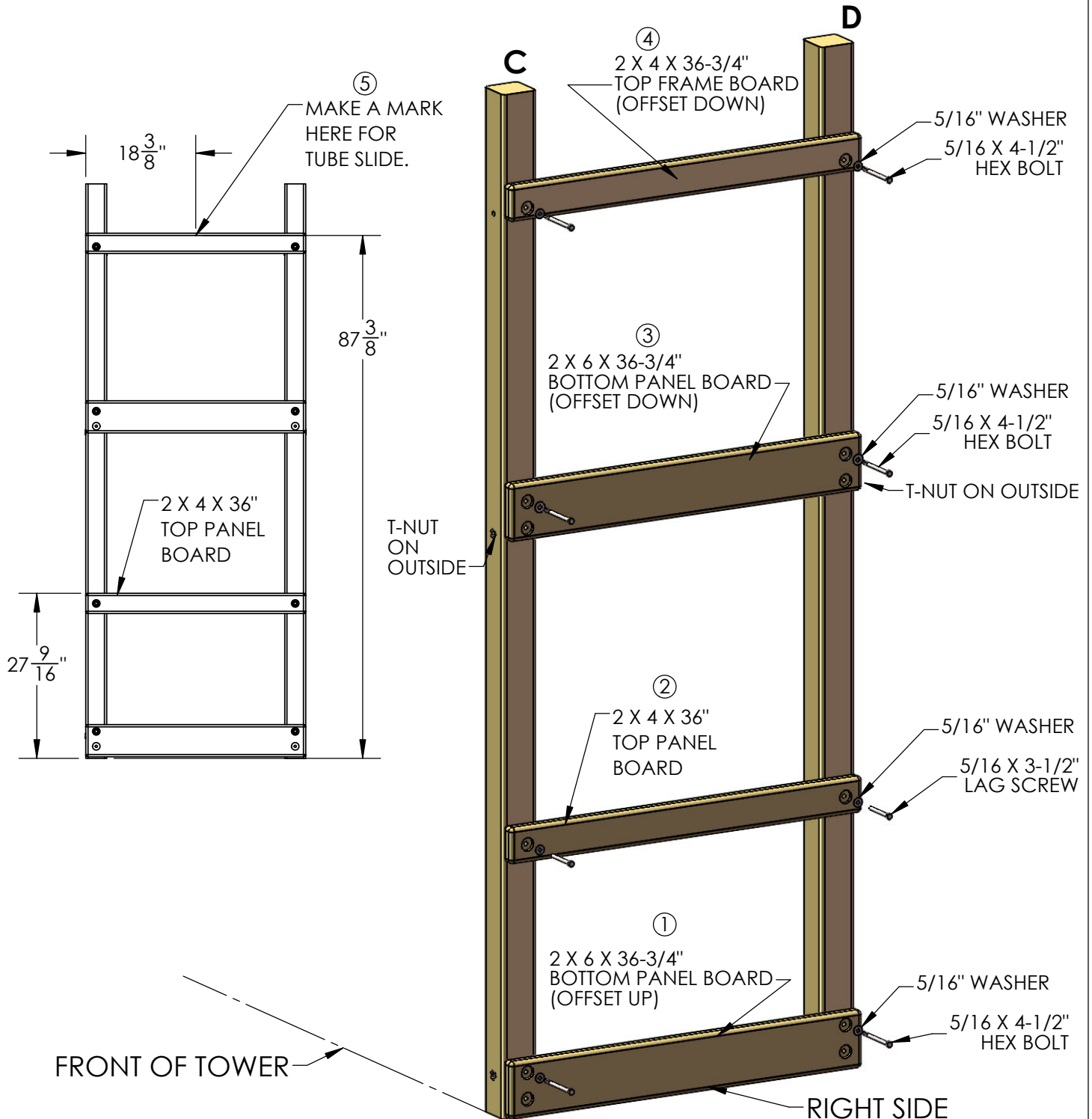
1: PLACE THE 2 X 6 X 36-3/4" TO BOARD (OFFSET UP) ON TOP OF THE RIGHT SIDE CORNER POSTS AT THE BOTTOM OF THE CORNER POSTS. USE 5/16" X 4-1/2" HEX BOLTS AND 5/16" WASHERS TO ATTACH THE TOP HOLES OF THE SANDBOX BOARD TO THE CORNER POSTS. THE BOTTOM HOLES WILL BE USED LATER.

2: PLACE THE 2 X 4 X 36-3/4" TOP PANEL BOARD 27-9/16" UP FROM THE BOTTOM OF THE POSTS AS SHOWN IN THE LEFT PICTURE BELOW. FASTEN WITH 5/16" X 3-1/2" LAG SCREWS AND 5/16" WASHERS.

3: PLACE THE 2 X 6 X 36-3/4" BOTTOM PANEL BOARD (OFFSET DOWN) ON TOP OF THE RIGHT SIDE CORNER POSTS NEAR THE MIDDLE OF THE CORNER POSTS. USE 5/16" X 4-1/2" HEX BOLTS AND 5/16" WASHERS TO ATTACH THE TOP HOLES OF THE BOTTOM PANEL BOARD TO THE CORNER POSTS. THE BOTTOM HOLES WILL BE USED LATER.

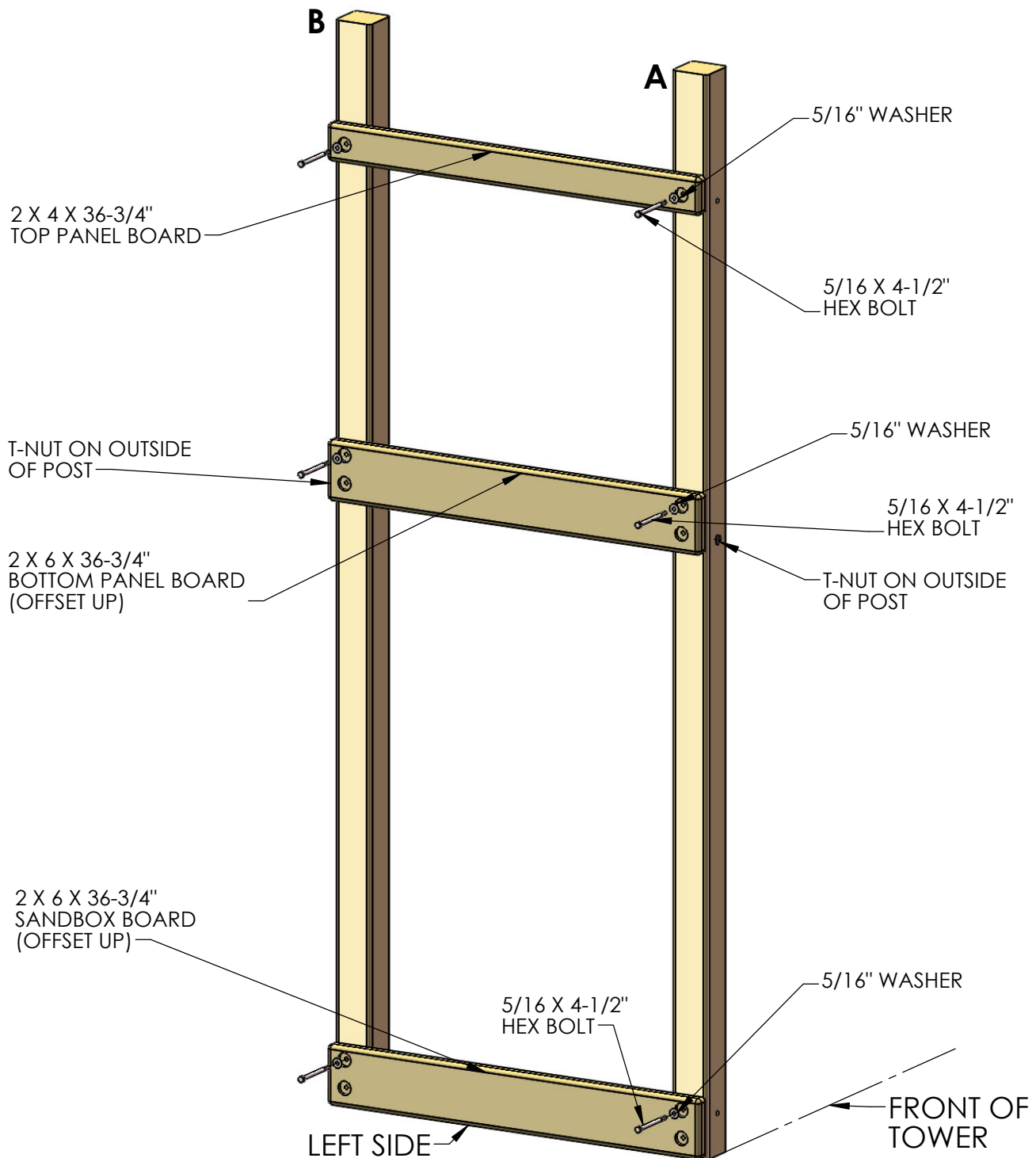
4: PLACE THE 2 X 4 X 36-3/4" TOP FRAME BOARD (OFFSET DOWN) ON TOP OF THE RIGHT SIDE CORNER POSTS. USE 5/16" X 4-1/2" HEX BOLTS AND 5/16" WASHERS TO ATTACH THE TOP FRAME BOARD TO THE CORNER POSTS.

5: MAKE A MARK ON THE TOP FRAME BOARD FOR THE TUBE SLIDE AS SHOWN BELOW.



## STEP 3: ASSEMBLING THE LEFT SIDE FRAME

- 1: LAY THE 2 X 6 X 36-3/4" SANDBOX BOARD (OFFSET UP) ON TOP OF THE LEFT SIDE CORNER POSTS AT THE BOTTOM OF THE CORNER POSTS.
- 2: USE 5/16 X 4-1/2" HEX BOLTS AND 5/16" WASHERS TO ATTACH THE TOP HOLES OF THE SANDBOX BOARD TO THE T-NUTS INSTALLED ON THE CORNER POSTS. THE BOTTOM HOLES WILL BE USED LATER.
- 3: LAY THE 2 X 6 X 36-3/4" BOTTOM PANEL BOARD (OFFSET UP) ON TOP OF THE LEFT SIDE CORNER POSTS IN THE MIDDLE OF THE CORNER POSTS.
- 4: USE 5/16 X 4-1/2" HEX BOLTS AND 5/16" WASHERS TO ATTACH THE TOP HOLES OF THE BOTTOM PANEL BOARD TO THE T-NUTS INSTALLED ON THE CORNER POSTS. THE BOTTOM HOLES WILL BE USED LATER.
- 5: LAY THE 2 X 4 X 36-3/4" TOP PANEL BOARD ON TOP OF THE LEFT SIDE CORNER POSTS NEAR THE TOP.
- 6: USE 5/16 X 4-1/2" HEX BOLTS AND 5/16" WASHERS TO ATTACH THE TOP PANEL BOARD TO THE T-NUTS INSTALLED ON THE CORNER POSTS.
- 7: DO NOT INSTALL LAG SCREWS AT THIS TIME.

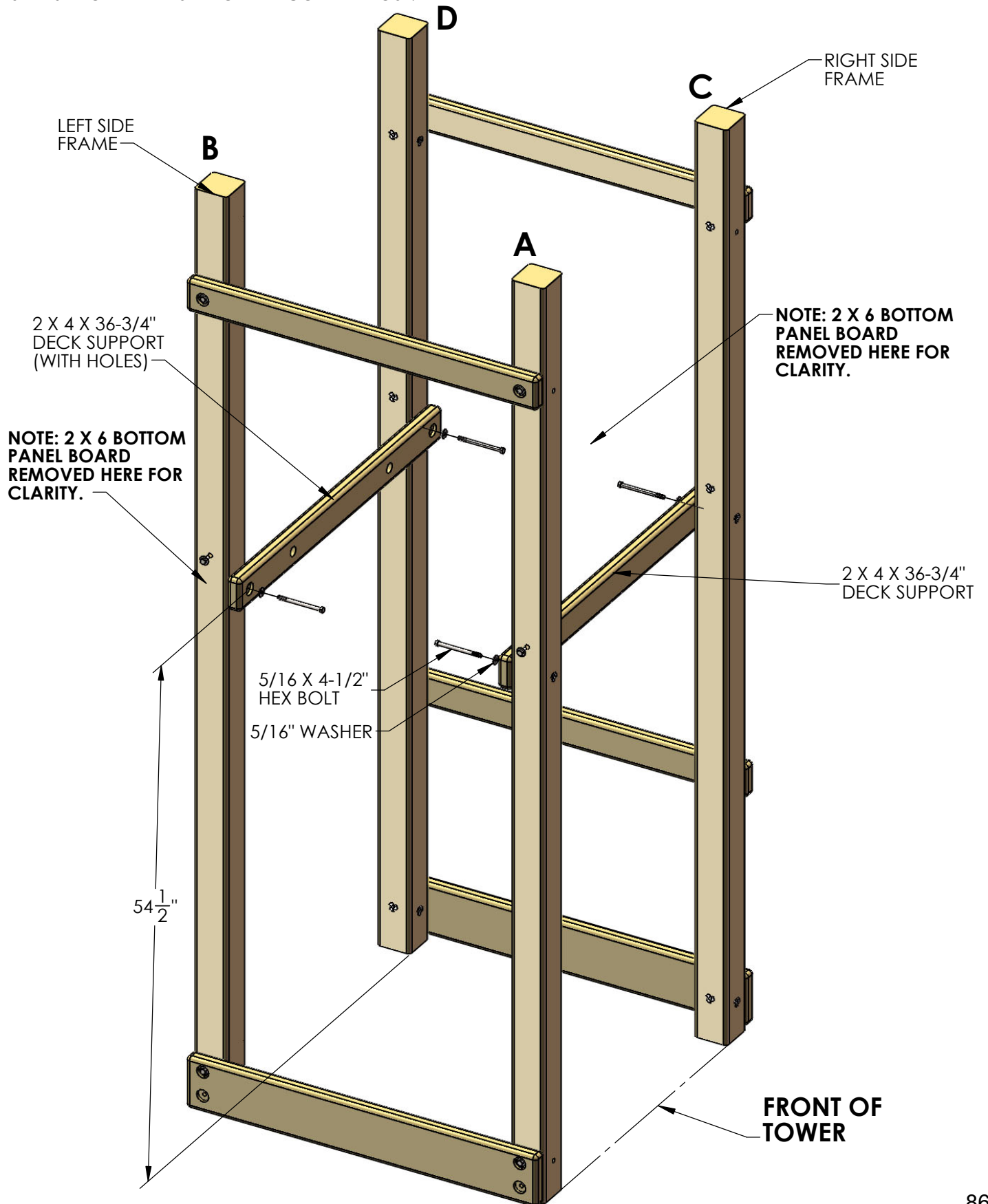


# STEP 4: DECK SUPPORTS

YOU WILL NEED AN EXTRA PERSON FOR THIS STEP.

1: WITH HELP, STAND UP THE LEFT AND RIGHT SIDE ASSEMBLIES.

2: FASTEN THE 2 X 4 X 36-3/4" DECK SUPPORTS TO THE HOLES AT 54-1/2" WITH 5/16 X 4-1/2" HEX BOLTS AND 5/16" WASHERS FROM THE INSIDE OF THE CORNER POST.

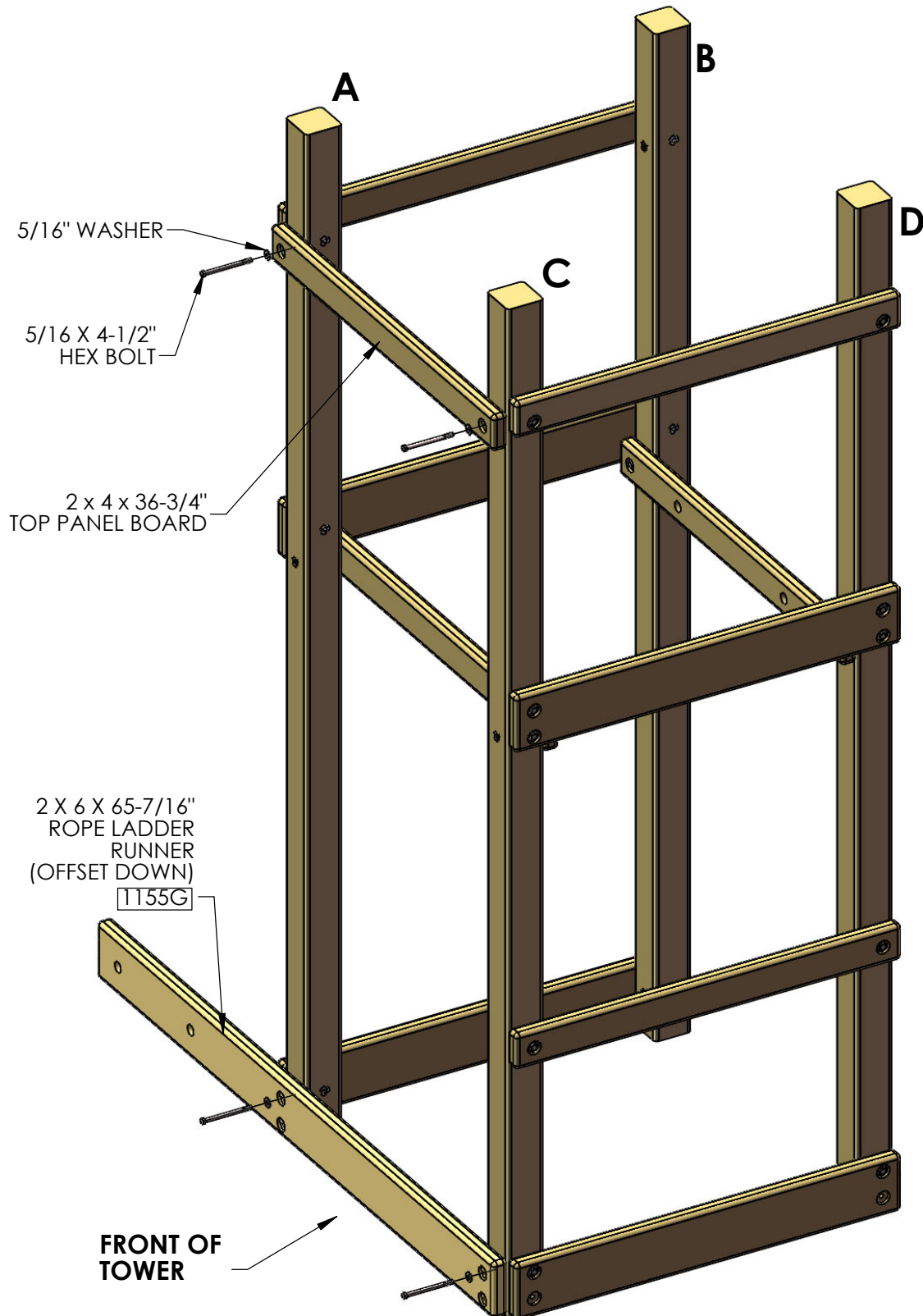


## STEP 5: FRONT FRAME ASSEMBLY

1: PLACE THE 2 X 6 X 67" ROPE LADDER RUNNER (OFFSET DOWN) ON THE FRONT OF THE CORNER POSTS. USE 5/16 X 4-1/2" HEX BOLTS AND 5/16" WASHERS TO ATTACH THE TOP HOLES OF THE ROPE LADDER RUNNER TO THE CORNER POSTS. THE BOTTOM HOLES WILL BE USED LATER.

2: PLACE THE 2 X 4 X 36-3/4" TOP PANEL BOARD ON THE CORNER POSTS CLOSE TO THE TOP.

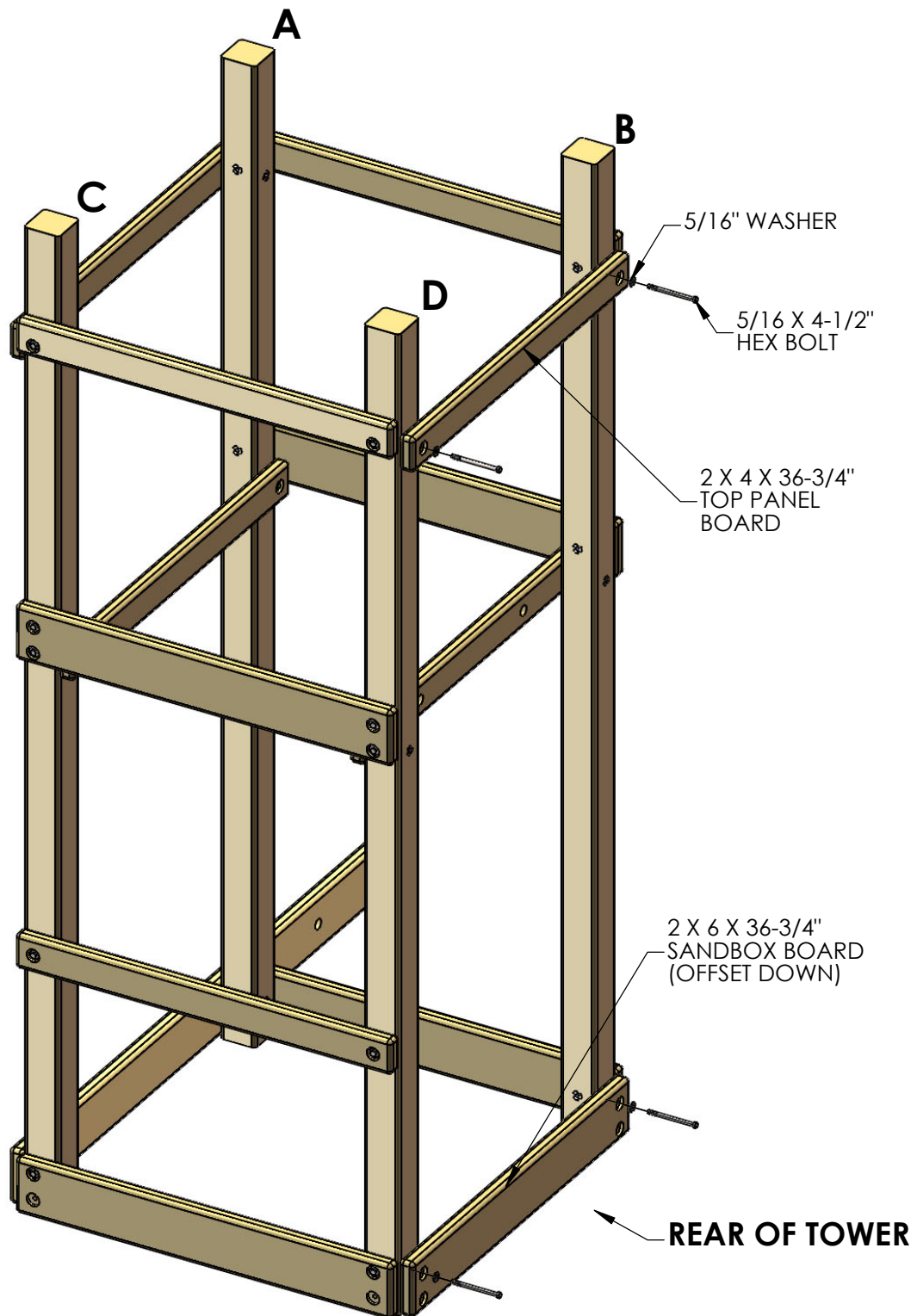
3: USE 5/16 X 4-1/2" HEX BOLTS AND 5/16" WASHERS TO ATTACH THE TOP PANEL BOARD TO THE CORNER POSTS.



## STEP 6: REAR FRAME ASSEMBLY

1: PLACE THE 2 X 6 X 36-3/4" SANDBOX BOARD (OFFSET DOWN) ON THE REAR OF THE TOWER. USE 5/16 X 4-1/2" HEX BOLTS AND 5/16" WASHERS TO ATTACH THE TOP HOLES OF THE SANDBOX BOARD TO THE CORNER POSTS. THE BOTTOM HOLES WILL BE USED LATER.

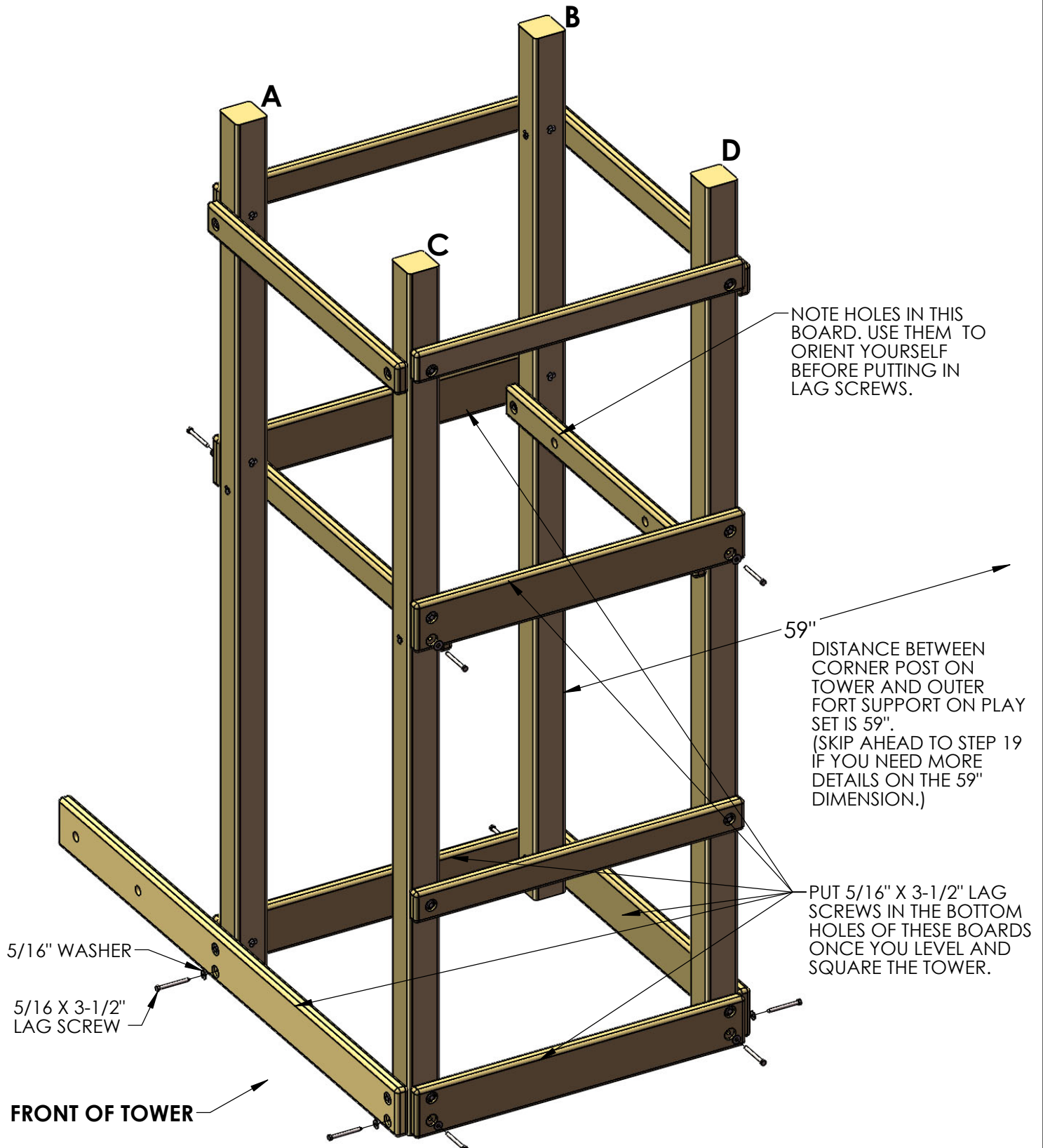
2: PLACE THE 2 X 4 X 36-3/4" TOP PANEL BOARD ON THE REAR OF THE TOWER. USE 5/16 X 4-1/2" HEX BOLTS AND 5/16" WASHERS TO ATTACH THE HOLES OF THE TOP PANEL BOARD TO THE CORNER POSTS.



## STEP 7: LAG SCREWS

1: PLACE THE FRAME IN ITS FINAL POSITION AND FOLLOW THE PROCEDURES AT THE FRONT OF THE MANUAL TO LEVEL AND SQUARE THE STRUCTURE.

2: ONCE THE FRAME IS LEVEL, SQUARE, AND SET INTO POSITION; GO BACK AND INSERT THE 5/16 X 3-1/2" LAG SCREWS AND 5/16" WASHERS IN THE REMAINING HOLES OF THE 2 X 6 PARTS SHOWN BELOW. NOTE: THERE WILL NOT BE ANY PREDRILLED HOLES IN THE CORNER POSTS FOR THE LAG SCREWS.

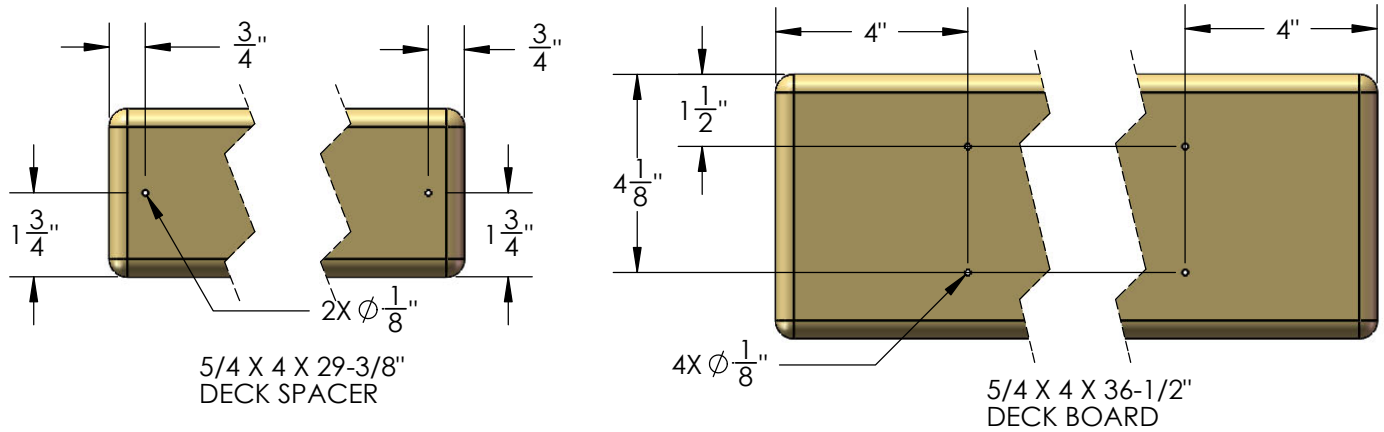




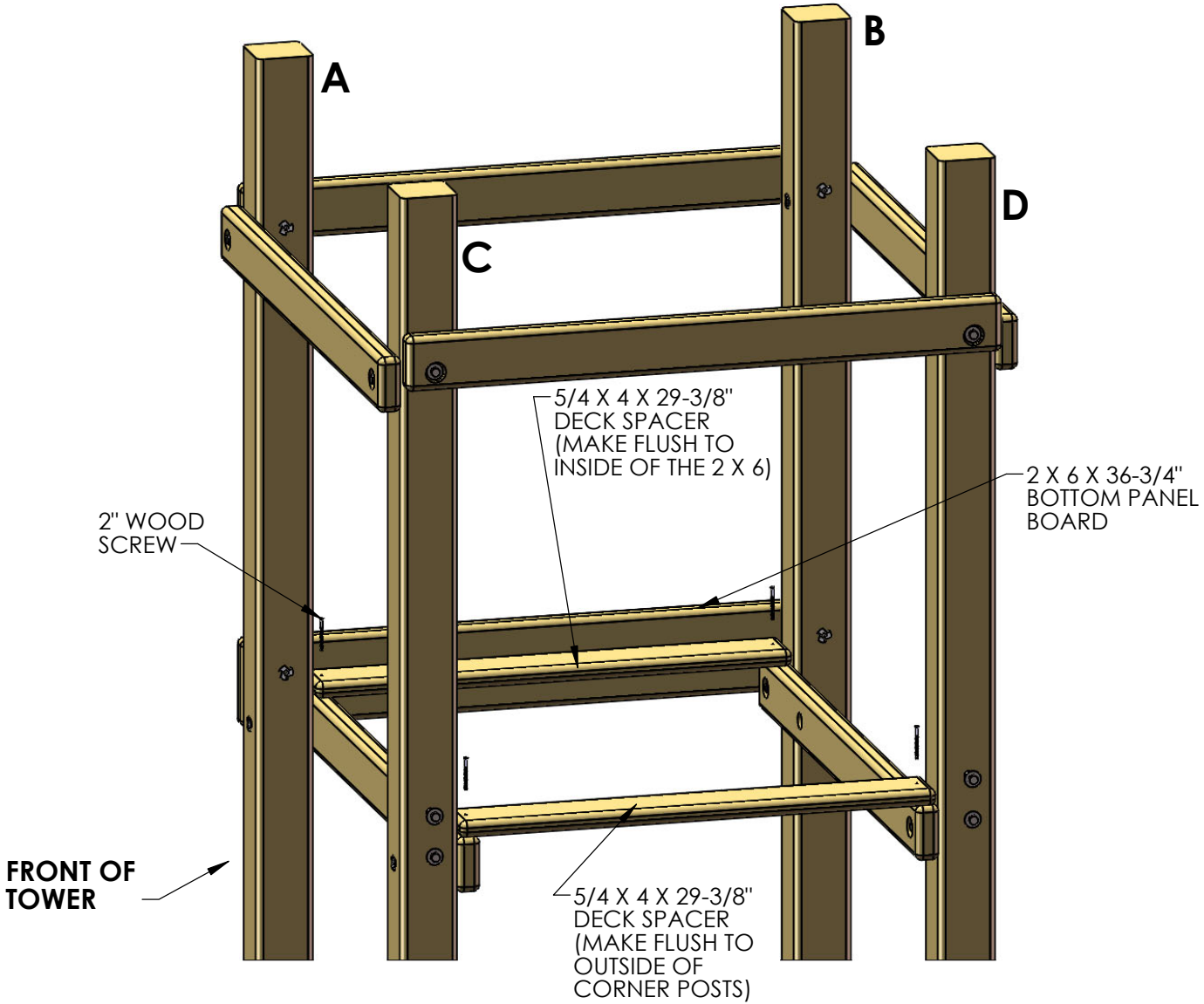
# STEP 8: DECK BOARDS

THE FOLLOWING STEP IS RECOMMENDED TO PREVENT POSSIBLE SPLITS IN THE WOOD

1: IF YOUR DECK SPACERS AND DECK BOARDS ARE NOT ALREADY PRE-DRILLED THEN PRE-DRILL THEM TO PREVENT INSTALLATION DAMAGE. PRE-DRILL BOTH ENDS WITH A 1/8" DRILL BIT USING THE DIMENSIONS SHOWN BELOW.



2: PLACE THE 5/4 X 4 X 29-3/8" DECK SPACERS BETWEEN THE CORNER POSTS. MAKE EACH DECK SPACER FLUSH TO THE INSIDE SURFACE OF THE 2 X 6 OR THE OUTSIDE SURFACE OF THE CORNER POSTS. ATTACH EACH DECK SPACER TO THE DECK SUPPORTS WITH TWO 2" WOOD SCREWS. NOTE THE TOP OF THE SCREW HEAD SHOULD BE FLUSH WITH THE TOP OF THE DECK SPACER.



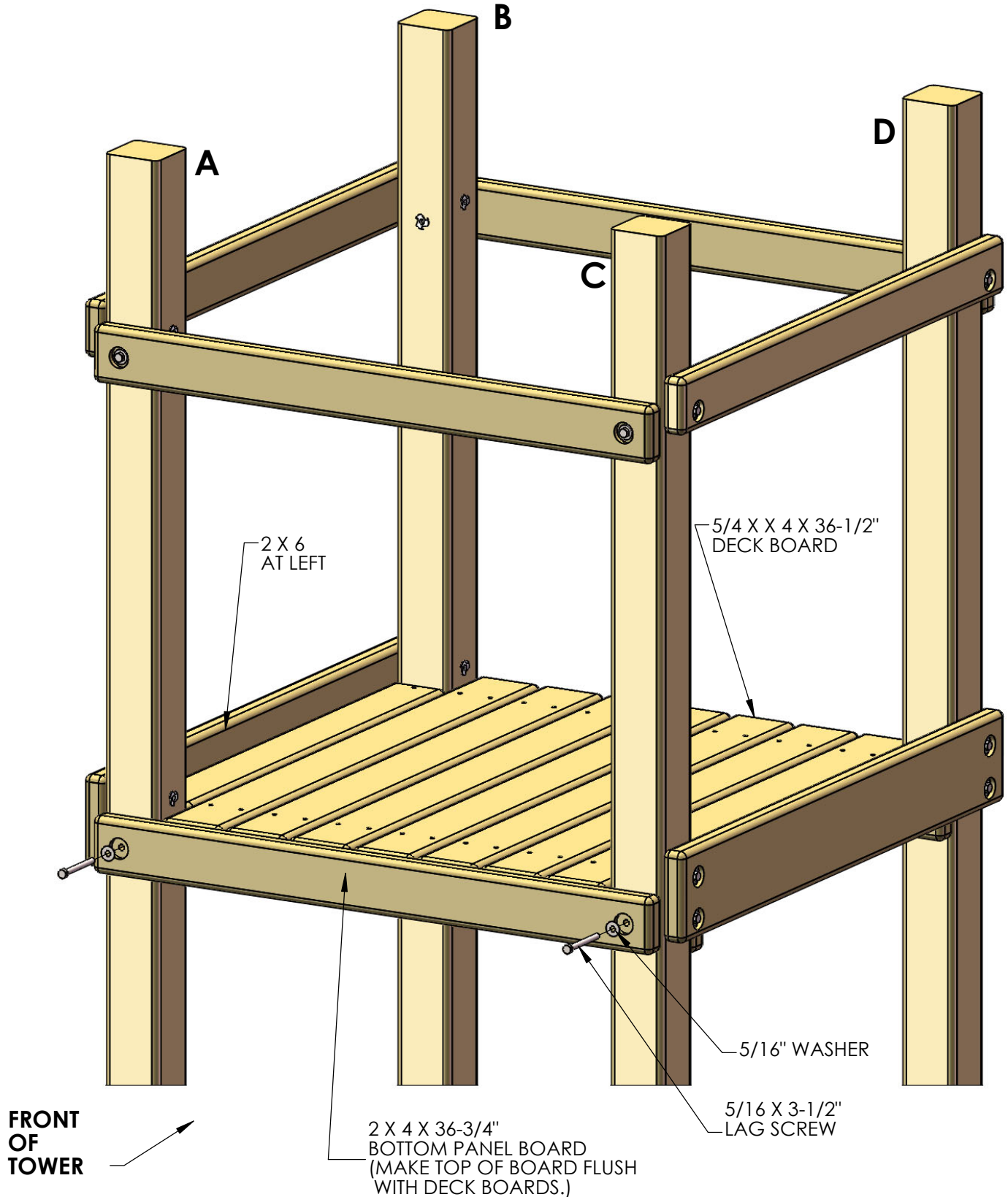


## STEP 9: FRONT FACE BOARD

1: PLACE THE 5/4 X 4 X 36-1/2" DECK BOARDS ON TOP OF THE DECK SUPPORTS. DO NOT FASTEN THE DECK BOARDS AT THIS TIME.

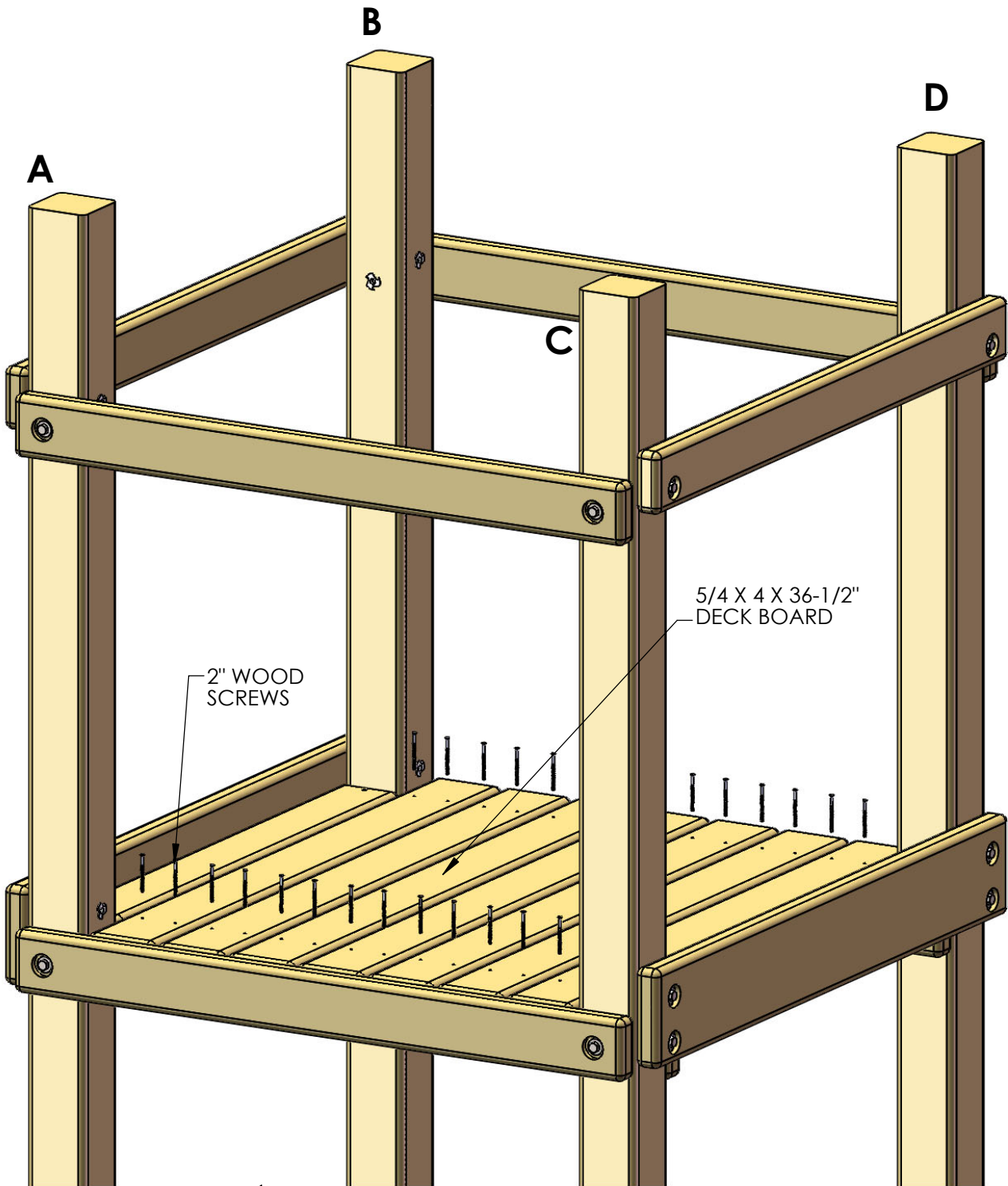
2: PLACE THE 2 X 4 X 36-3/4" BOTTOM PANEL BOARD AGAINST THE FRONT CORNER POSTS. THE TOP OF THE BOTTOM PANEL BOARD SHOULD BE FLUSH WITH DECK BOARD.

3: FASTEN THE BOTTOM PANEL BOARD TO THE CORNER POSTS WITH 5/16 X 3-1/2" LAG SCREWS WITH 5/16" WASHERS.



## STEP 10: DECK

1: INSTALL THE 5/4 X 4 X 36-1/2" DECK BOARDS. LEAVE A UNIFORM (APPROXIMATELY 1/4") SPACE BETWEEN THE DECK BOARDS. ATTACH THE DECK BOARDS TO THE DECK SUPPORTS WITH 2" WOOD SCREWS.

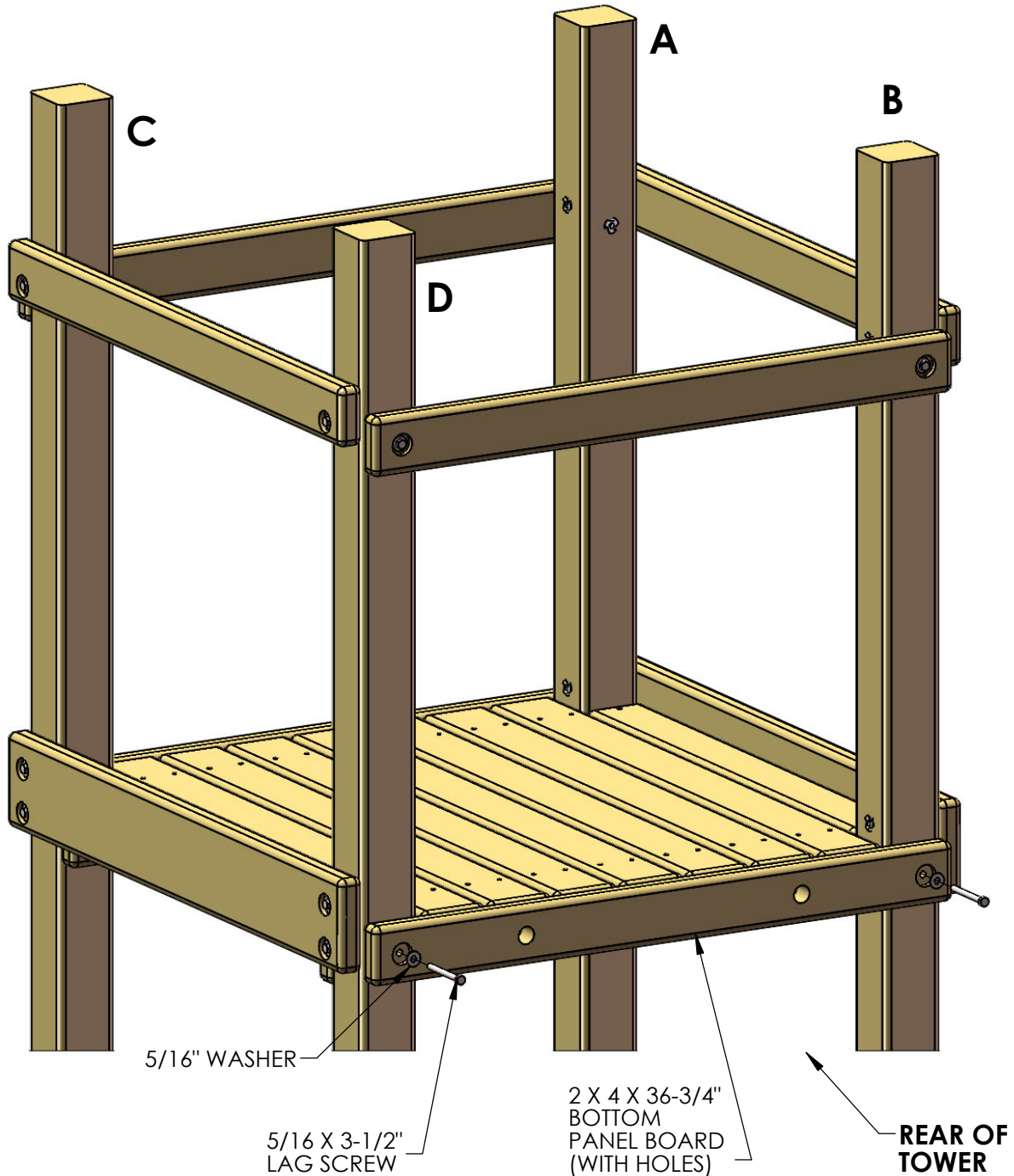


FRONT OF TOWER

## STEP 11: REAR BOTTOM PANEL BOARD

1: PLACE THE 2 X 4 X 36-3/4" BOTTOM PANEL BOARD (WITH HOLES) AGAINST THE TOWER REAR CORNER POSTS, AND LEVEL THE TOP OF THE BOARD WITH THE TOP OF THE DECK BOARDS.

2: FASTEN THE BOTTOM PANEL BOARD TO THE CORNER POSTS WITH 5/16 X 3-1/2" LAG SCREWS WITH 5/16" WASHERS.

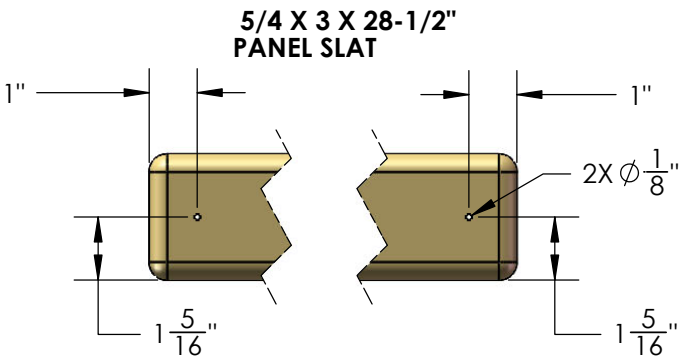


## STEP 12: PANEL SLATS

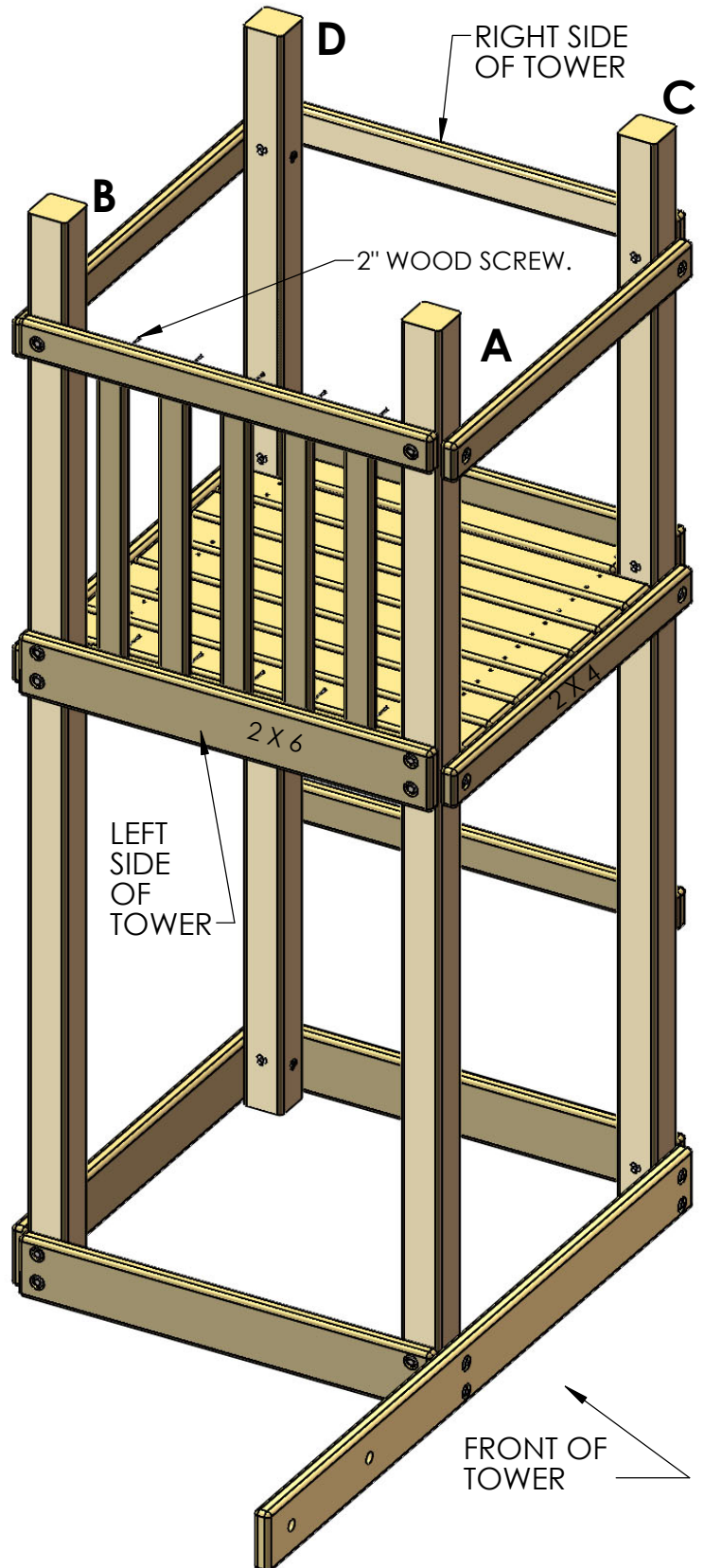
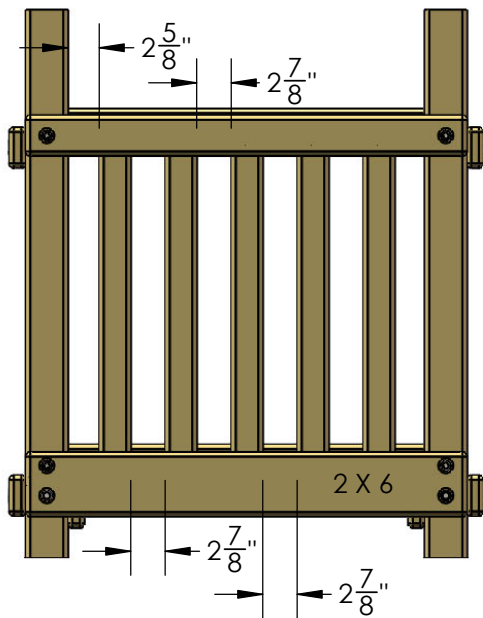
1: FIND FIVE 5/4 X 3 X 28-1/2" PANEL SLATS.

2: IF THE SLATS ARE NOT ALREADY PRE-DRILLED THEN PRE-DRILL THE PANEL SLATS 1" FROM EACH END ON CENTER WITH A 1/8" DRILL BIT. (SEE TOP LEFT PICTURE BELOW)

3: ON THE LEFT SIDE OF THE TOWER INSTALL THE FIRST PANEL SLAT 2-5/8" FROM THE CORNER POST. THEN INSTALL THE REMAINING FOUR PANEL SLATS 2-7/8" APART AS SHOWN IN THE PICTURE AT THE MIDDLE LEFT BELOW. ATTACH THE PANEL SLATS WITH 2" WOOD SCREWS.



### LEFT SIDE SLATS



## STEP 13: 18" ANGLE SUPPORTS

- 1: FASTEN EACH 2 X 4 X 18" ANGLE SUPPORT ON THE INSIDE OF THE DECK SUPPORTS.
- 2: USE A #8 X 2" AND A #8 X 3" WOOD SCREW TO SECURE THE BOTTOM OF THE ANGLE SUPPORT TO THE CORNER POST.
- 3: USE TWO #8 X 2-1/2" WOOD SCREWS TO SECURE THE TOP OF THE ANGLE SUPPORT TO THE DECK SUPPORT.

**AVOID COVERING HOLES WITH ANGLE SUPPORTS.**

**DO NOT COVER HOLE WITH ANGLE SUPPORT**

#8 X 2-1/2" WOOD SCREWS

2 X 4 X 18" ANGLE SUPPORT

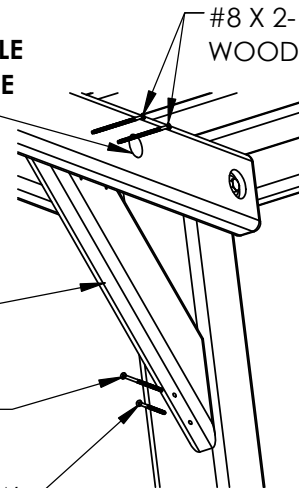
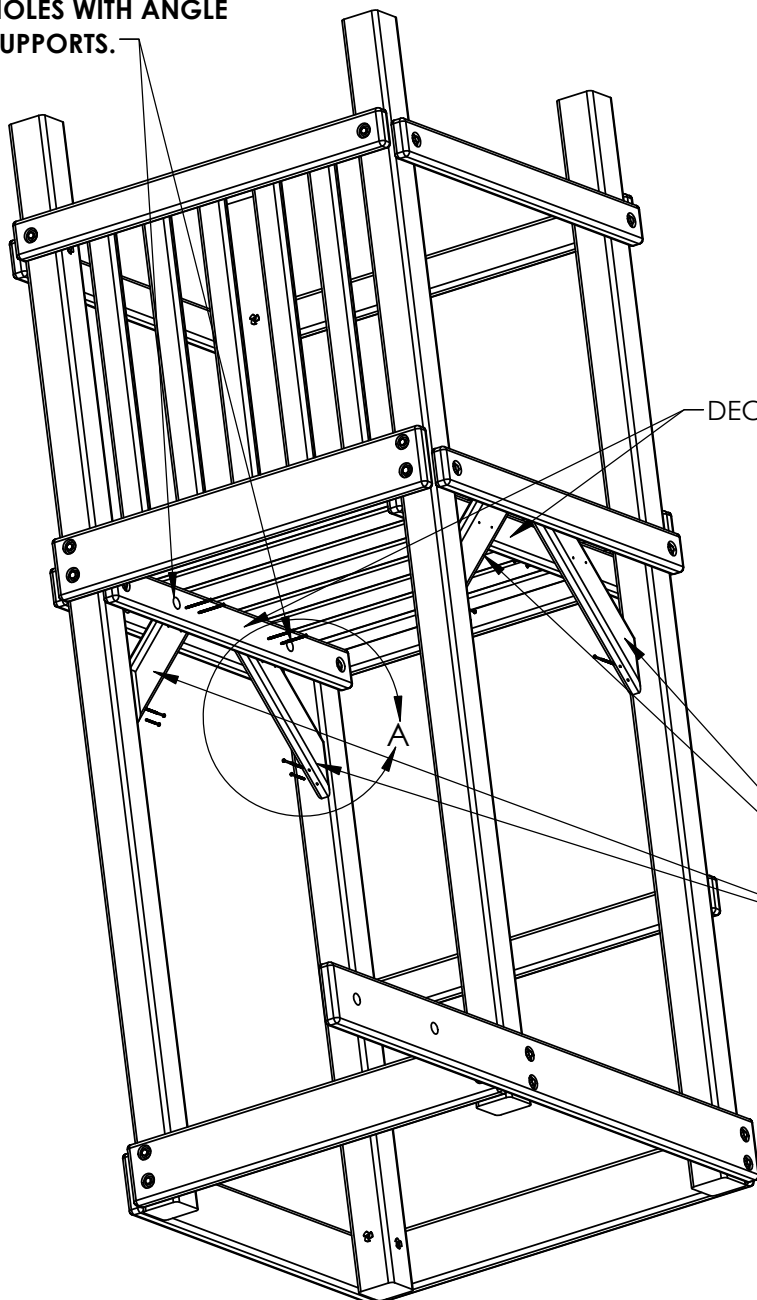
#8 X 3" WOOD SCREW

#8 X 2" WOOD SCREW

DETAIL A  
SCALE 1 : 8

DECK SUPPORTS

2 X 4 X 18" ANGLE SUPPORTS

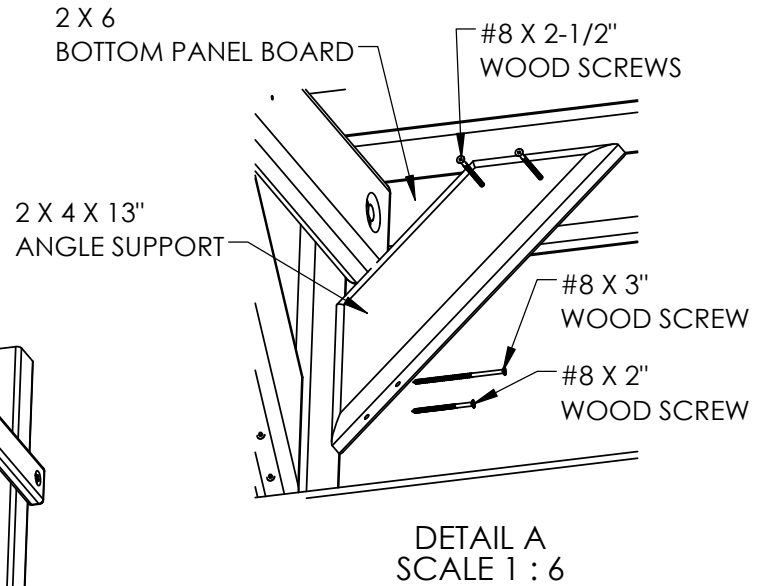
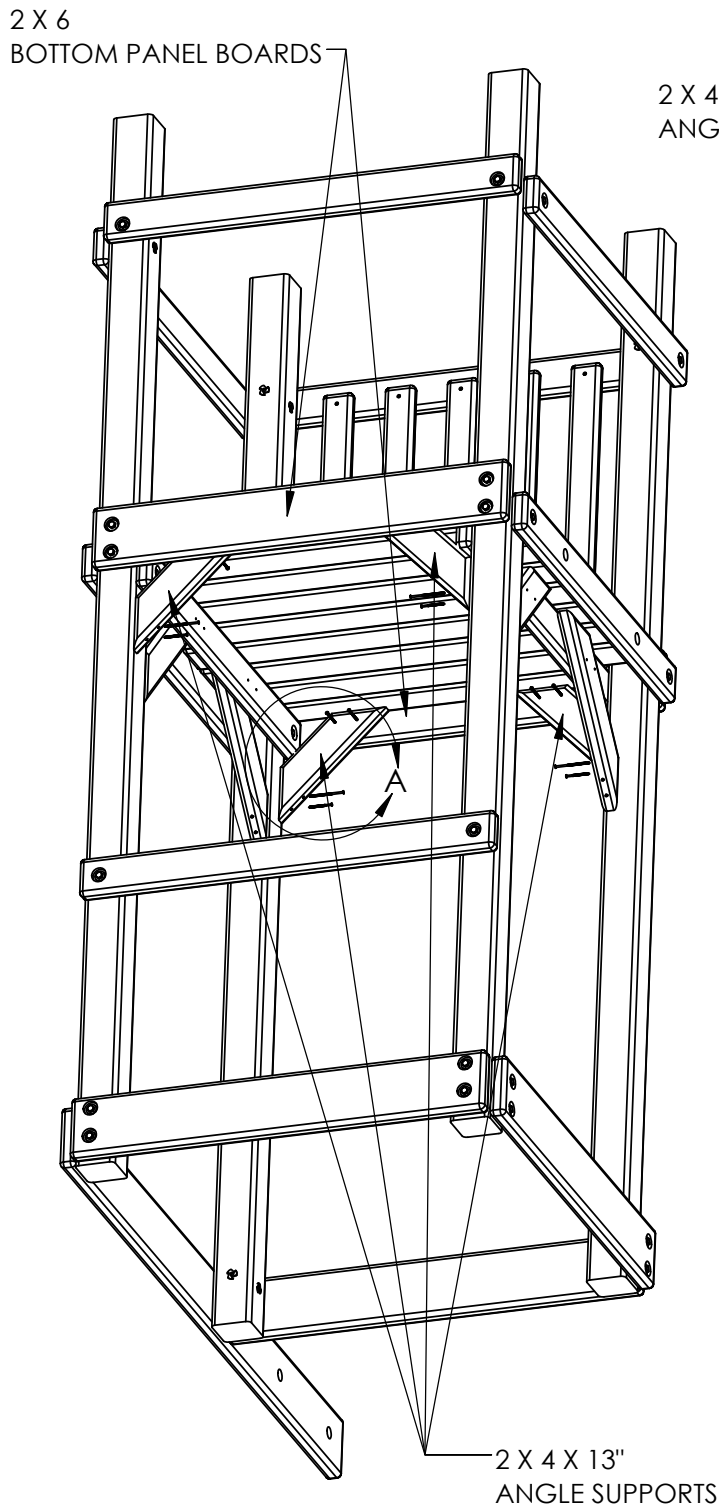


## STEP 13A: 13" ANGLE SUPPORTS

1: FASTEN EACH 2 X 4 X 13" ANGLE SUPPORT ON THE INSIDE OF THE 2 X 6 BOTTOM PANEL BOARDS.

2: USE A #8 X 2" AND A #8 X 3" WOOD SCREW TO SECURE THE BOTTOM OF THE ANGLE SUPPORT TO THE CORNER POST.

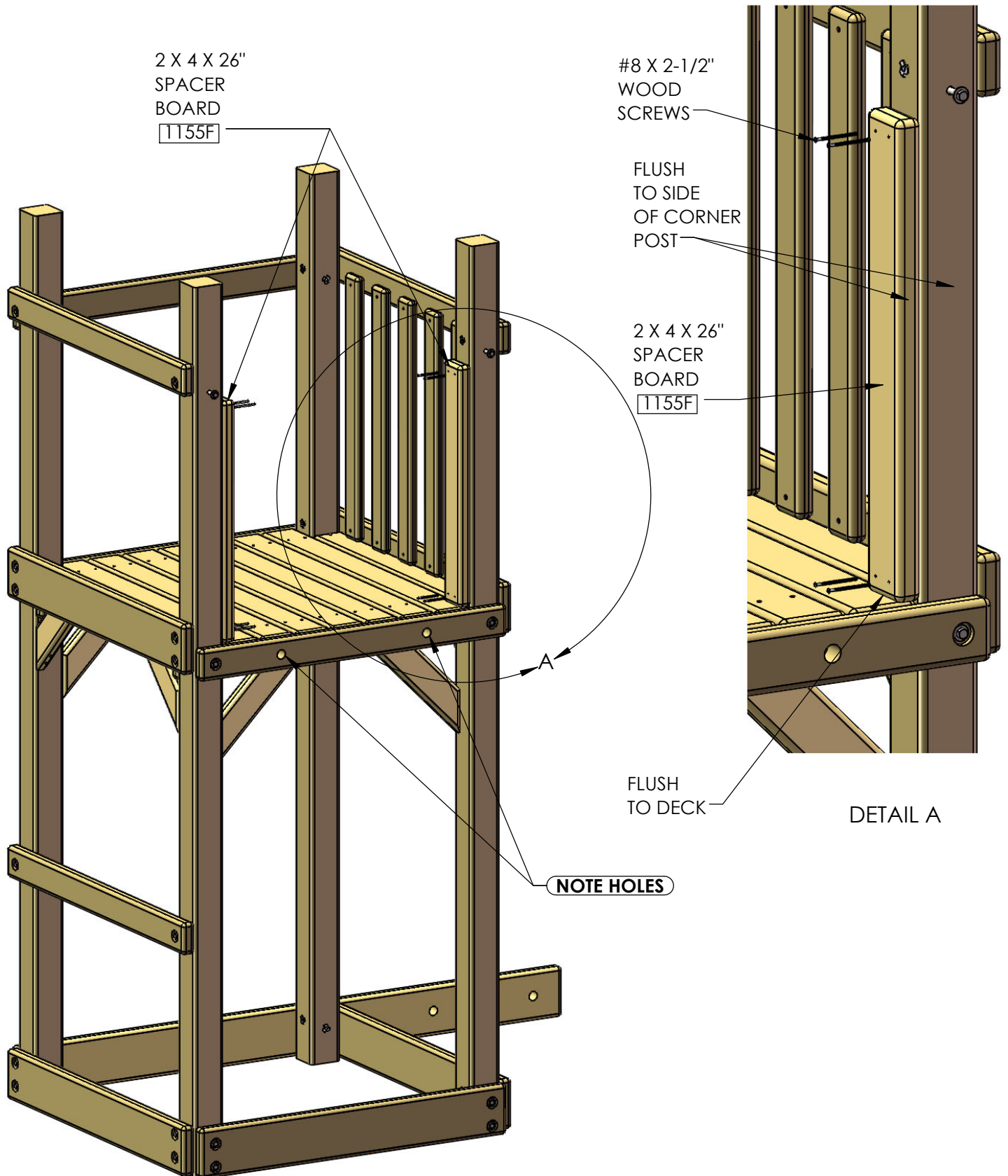
3: USE TWO #8 X 2-1/2" WOOD SCREWS TO SECURE THE TOP OF THE ANGLE SUPPORT TO THE 2 X 6 BOTTOM PANEL BOARD.





# STEP 14: SPACER BOARDS

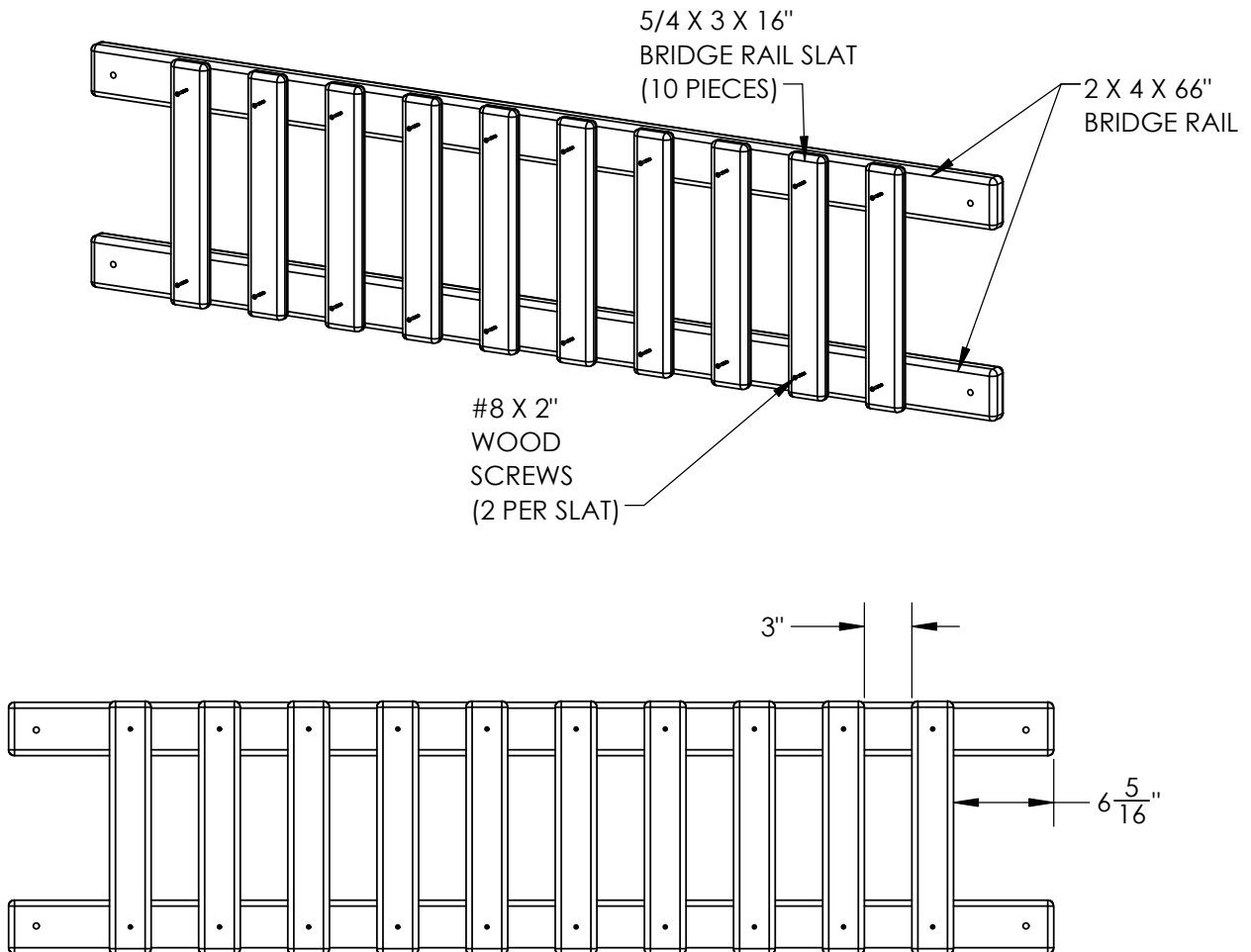
- 1: PLACE THE 2 X 4 X 26" SPACER BOARDS ON THE INSIDE OF THE CORNER POSTS SHOWN.
- 2: FASTEN WITH FOUR #8 X 2-1/2" WOOD SCREWS.





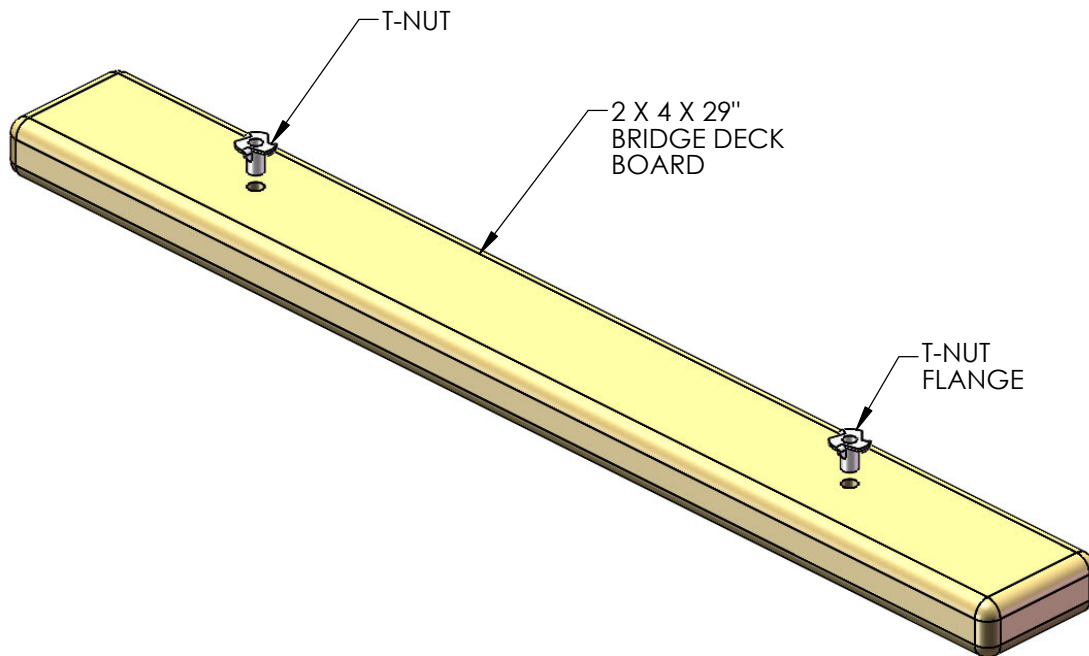
## STEP 15: BRIDGE RAILING

- 1: LAY TWO 2 X 4 X 66" BRIDGE RAILS ON A FLAT SURFACE WITH THE COUNTERBORE SIDE FACING THE FLAT SURFACE.
- 2: PLACE THE 5/4 X 3 X 16" BRIDGE RAIL SLATS ON TOP OF THE RAILS.
- 3: SPACE THE SLATS 3" FROM ONE ANOTHER AS SHOWN. IT IS CRITICAL THAT YOU SPACE THESE EVENLY BECAUSE YOU ARE GOING TO "RACK" THIS ASSEMBLY AFTER YOU BUILD IT.
- 4: SECURE EACH SLAT TO THE RAILS WITH TWO #8 X 2" WOOD SCREWS.
- 5: REPEAT SUBSTEPS 1-4 TO MAKE ANOTHER BRIDGE RAILING ASSEMBLY.

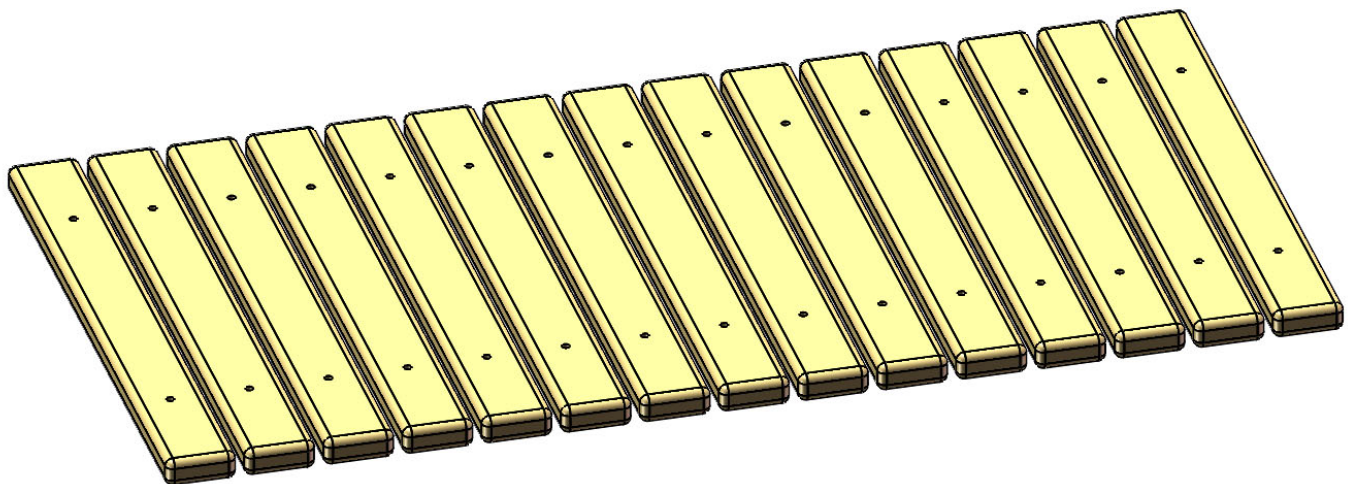


## STEP 16: BRIDGE DECK AND CHAIN ASSEMBLY

1: FIND FIFTEEN 2 X 4 X 29" BRIDGE DECK BOARDS AND INSERT T-NUTS INTO THE PRE-DRILLED HOLES. USE A HAMMER TO SEAT THE T-NUTS INTO THE BOARDS.

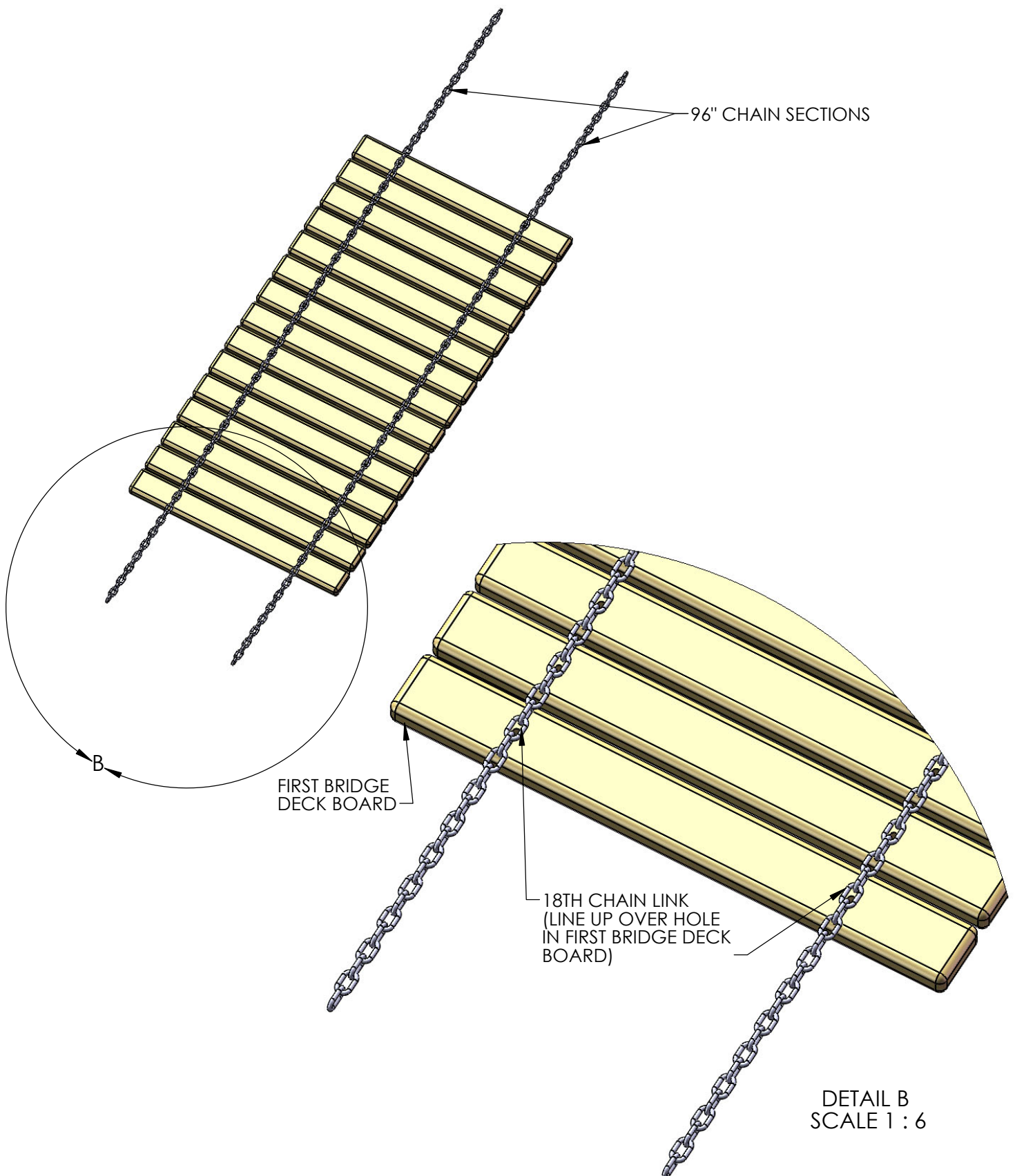


2: FLIP ALL 15 BRIDGE DECK BOARDS OVER SO THAT THE FLANGE OF THE T-NUT IS FACING DOWN. LAY THE BRIDGE DECK BOARDS OUT ON A FLAT SURFACE AS SHOWN BELOW.



# STEP 17: BRIDGE DECK AND CHAIN ASSEMBLY

- 1: LOCATE TWO 96" CHAIN SECTIONS THAT SHIPPED WITH THE CLATTER BRIDGE.
- 2: PLACE THE CHAINS OVER THE HOLES IN THE BRIDGE DECK BOARDS AS SHOWN BELOW.
- 3: LINE UP THE 18TH LINK IN THE CHAINS WITH THE FIRST BRIDGE DECK BOARD HOLES.



# STEP 18: BRIDGE DECK AND CHAIN ASSEMBLY

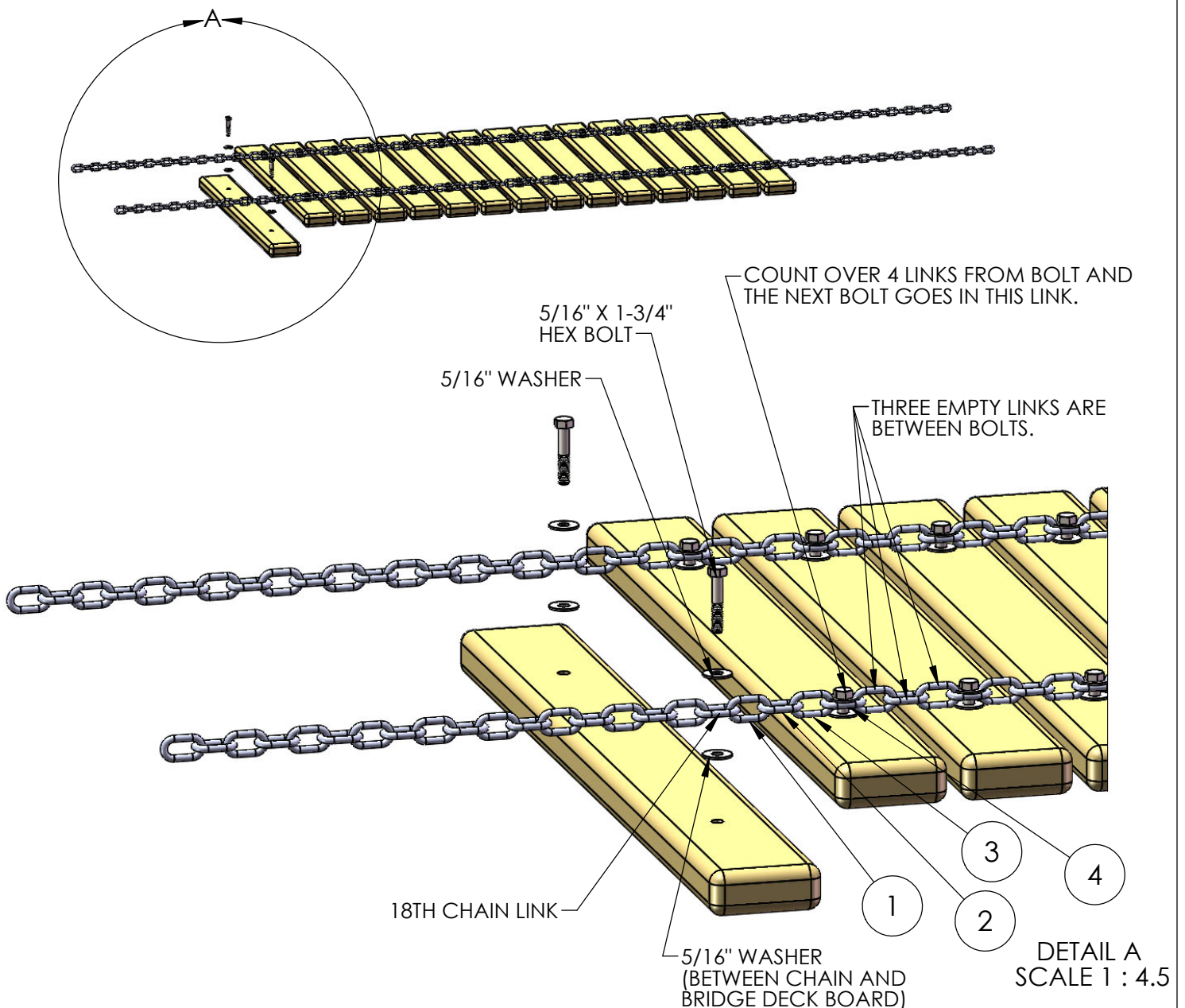
1: PLACE A 5/16" WASHER BETWEEN THE 18TH CHAIN LINK AND THE BRIDGE DECK BOARD.

2: PLACE A 5/16" X 1-3/4" HEX BOLT WITH 5/16" WASHER THROUGH THE 18TH CHAIN LINK, THEN THROUGH THE 5/16" WASHER, THEN THROUGH THE HOLE IN THE BRIDGE DECK BOARD AND SCREW IT INTO THE T-NUT. TIGHTEN THE BOLT BUT NOT SO TIGHT THAT YOU CRACK THE WOOD.

3: COUNT OVER 4 CHAIN LINKS FROM THE LAST HEX BOLT. AT THIS CHAIN LINK PLACE A 5/16" WASHER BETWEEN THE CHAIN LINK AND THE BRIDGE DECK BOARD. NOTE THAT THREE EMPTY CHAIN LINKS ARE BETWEEN THE BOLTS.

4: PLACE A 5/16" X 1-3/4" HEX BOLT WITH 5/16" WASHER THROUGH THE CHAIN LINK, THEN THROUGH THE 5/16" WASHER, THEN THROUGH THE HOLE IN THE BRIDGE DECK BOARD AND SCREW IT INTO THE T-NUT. TIGHTEN THE BOLT BUT NOT SO TIGHT THAT YOU CRACK THE WOOD.

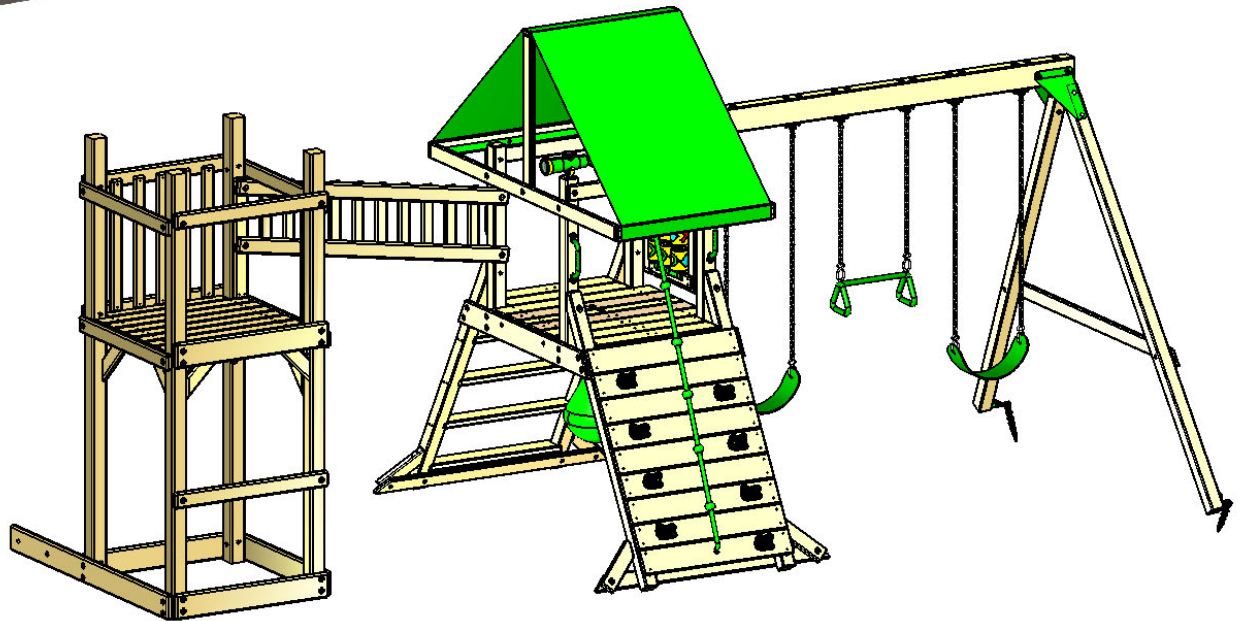
5: REPEAT SUBSTEPS 3 & 4 UNTIL YOU HAVE SECURED THE CHAIN TO THE BRIDGE DECK BOARDS ALONG ONE SIDE. THEN START OVER WITH THE OTHER CHAIN AND REPEAT THIS ENTIRE PROCESS.



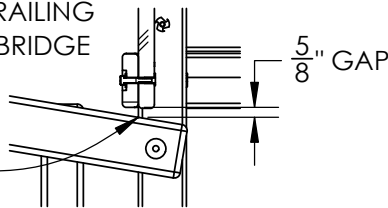


# STEP 19: BRIDGE RAILINGS

1: IN THIS STEP YOU WILL HAVE TO "RACK" THE BRIDGE RAIL ASSEMBLIES PRIOR TO INSTALLATION. TEMPORARILY CONNECT THEM TO THE PLAYSET AND THE TOWER WITH QUICK GRIP CLAMPS SIMILAR TO THE ONE SHOWN BELOW. YOU WILL NEED 2 CLAMPS.



MAKE A MARK  $\frac{5}{8}$ " DOWN FROM THE SET RAILING ONTO THE CORNER POST. ALIGN TOP OF BRIDGE RAIL WITH THIS MARK.

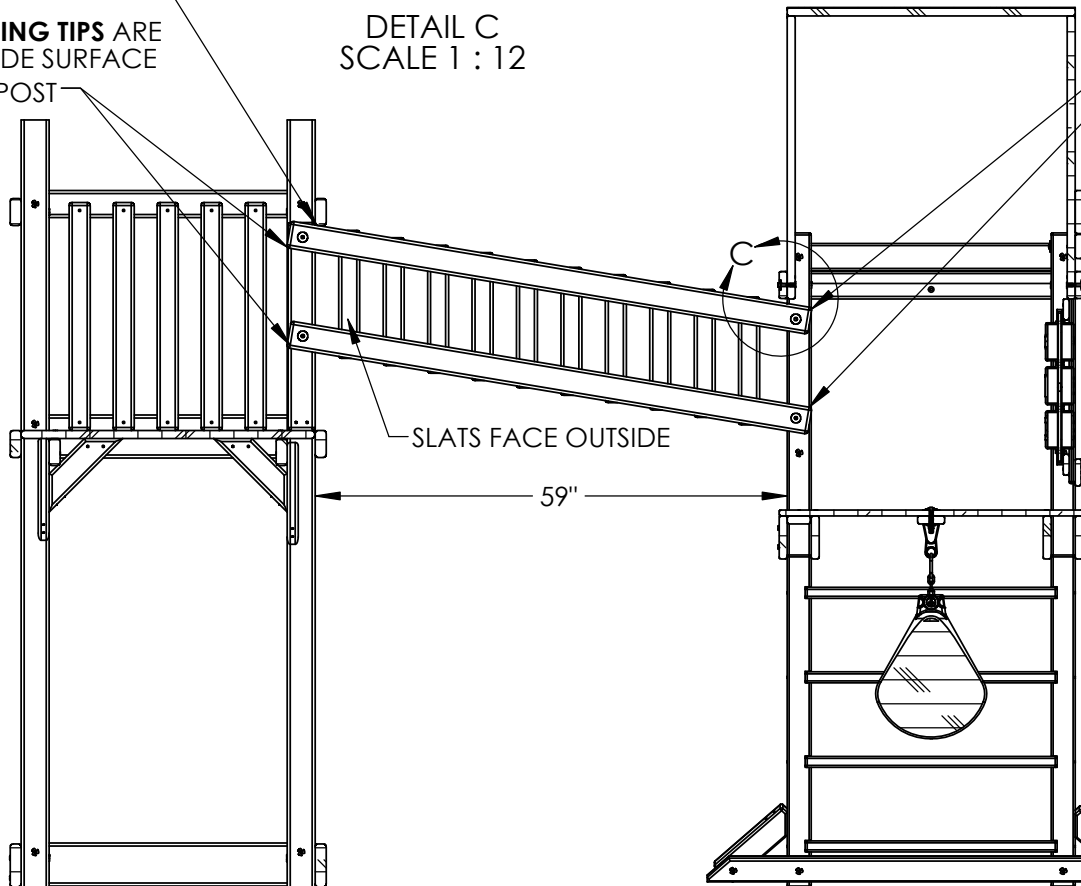


**TOP RAILING TIPS** ARE FLUSH TO THE INSIDE SURFACE OF THE CORNER POST

RAILING CONTACTS BOTTOM OF TOWER RAIL

**BOTTOM RAILING TIPS** ARE FLUSH TO INSIDE SURFACE OF CORNER POST

DETAIL C  
SCALE 1 : 12

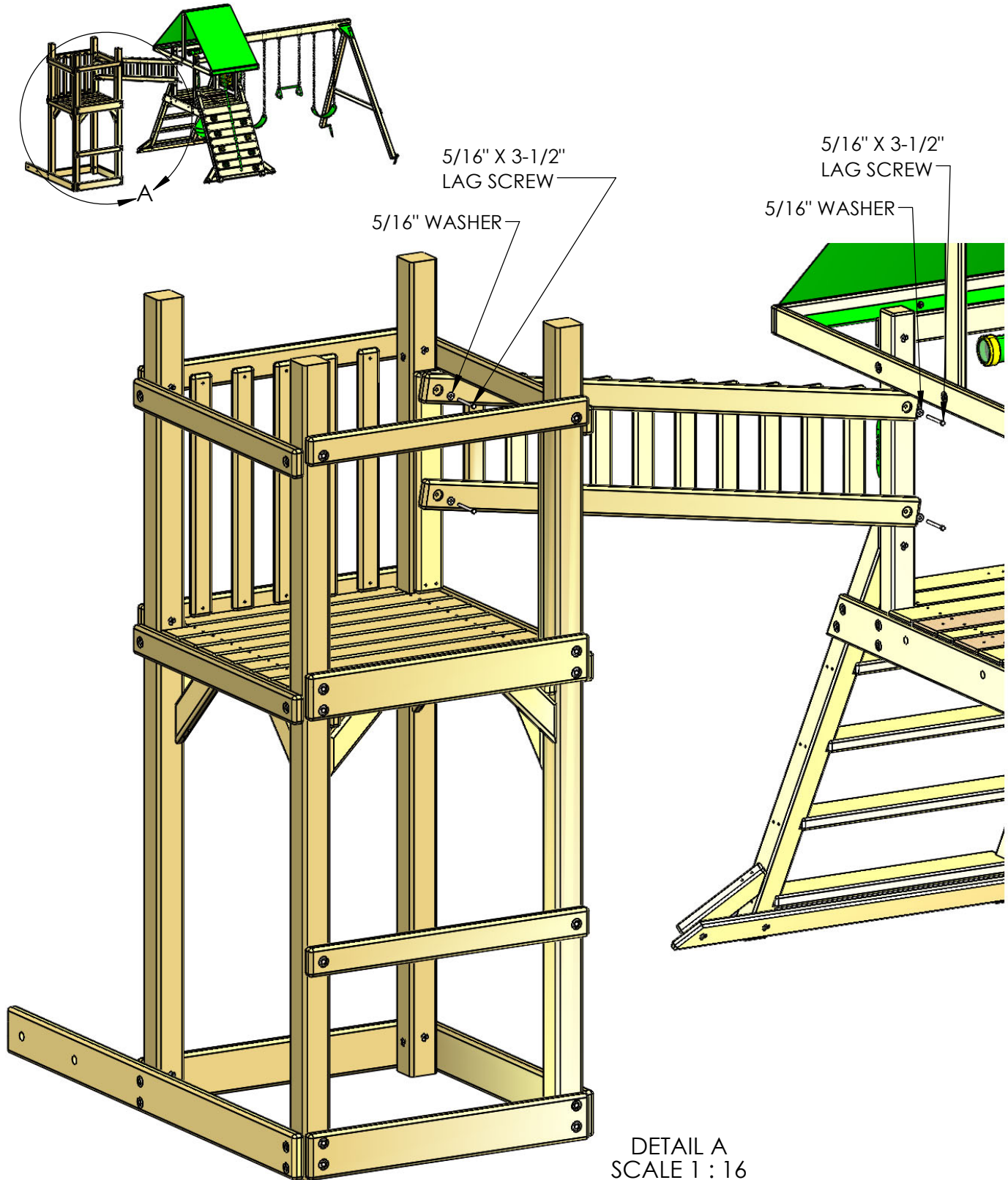


SLATS FACE OUTSIDE

59"

# STEP 20: BRIDGE RAILINGS

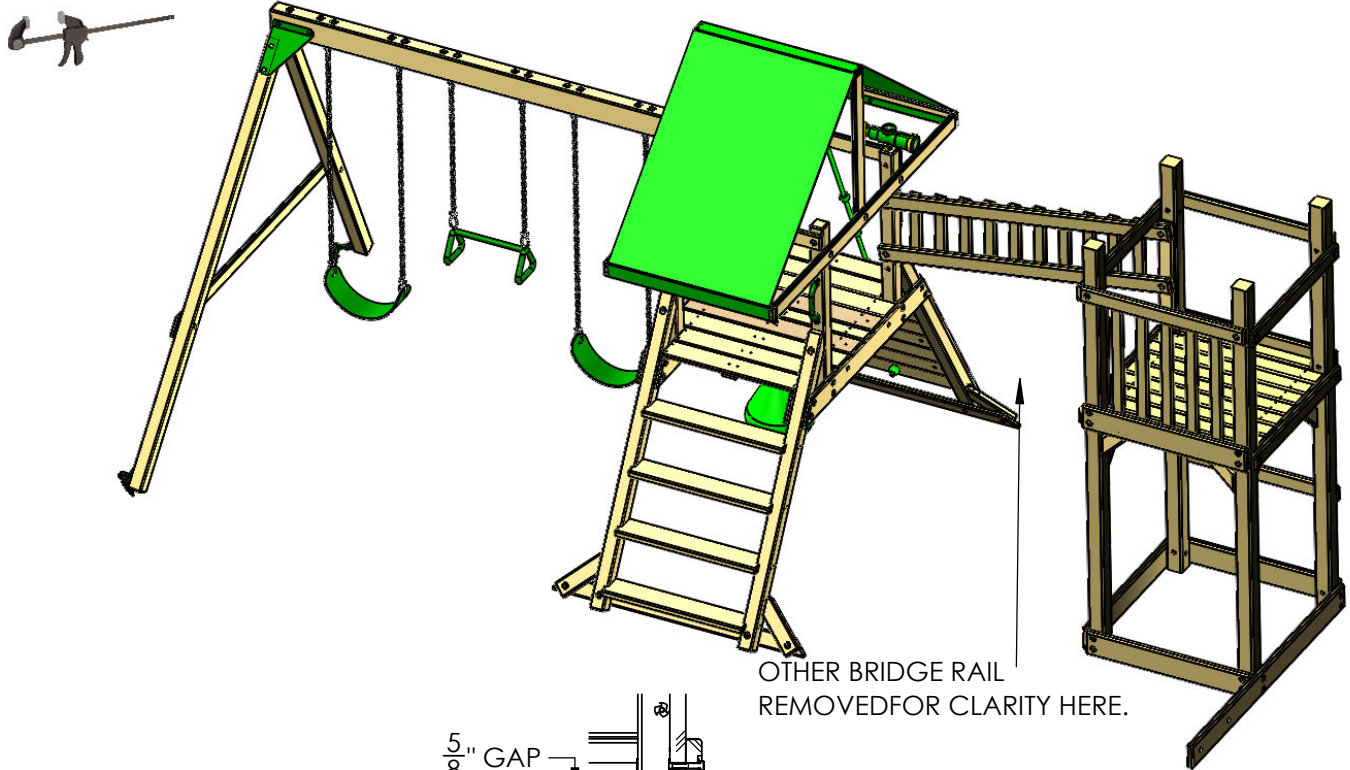
1: FASTEN THE BRIDGE RAILING TO THE CORNER POSTS OF THE TOWER AND THE PLAYSET WITH FOUR 5/16" X 3-1/2" LAG SCREWS AND FOUR 5/16" WASHERS.



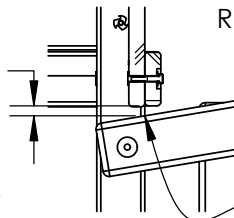


# STEP 21: BRIDGE RAILINGS

1: REPEAT THE SAME PROCESS AS YOU DID IN STEP 19. RACK THE BRIDGE RAILING AND TEMPORARILY CONNECT IT TO THE PLAYSET AND TOWER WITH QUICK GRIP CLAMPS SIMILAR TO THE ONE SHOWN BELOW. YOU WILL NEED 2 CLAMPS AS BEFORE.



$\frac{5}{8}$ " GAP



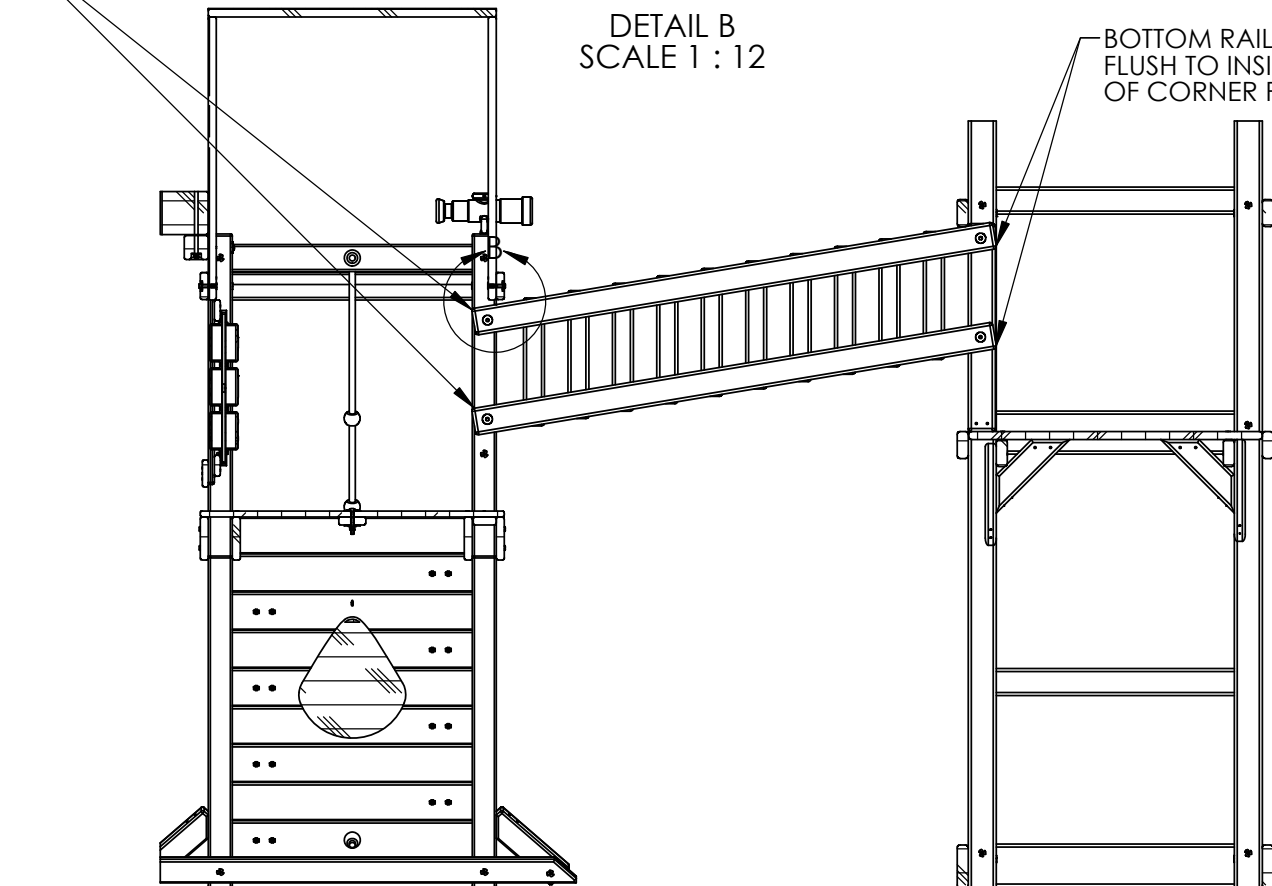
OTHER BRIDGE RAIL  
REMOVED FOR CLARITY HERE.

TOP RAILING TIPS ARE FLUSH TO  
INSIDE SURFACE OF CORNER POST

MAKE A MARK  $\frac{5}{8}$ " DOWN FROM THE SET  
RAILING ONTO THE CORNER POST. ALIGN TOP  
OF BRIDGE RAIL WITH THIS MARK.

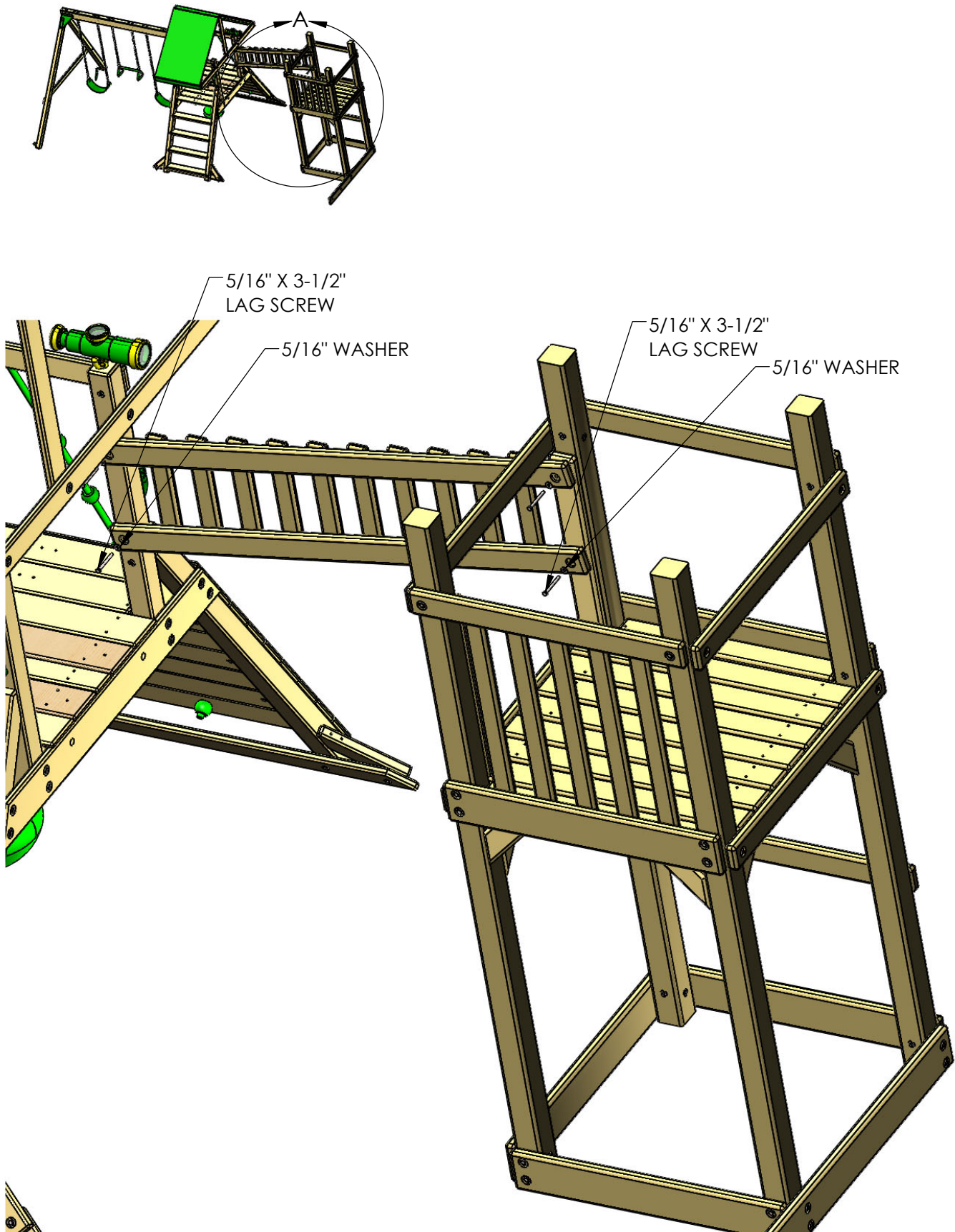
DETAIL B  
SCALE 1 : 12

BOTTOM RAILING TIPS ARE  
FLUSH TO INSIDE SURFACE  
OF CORNER POST



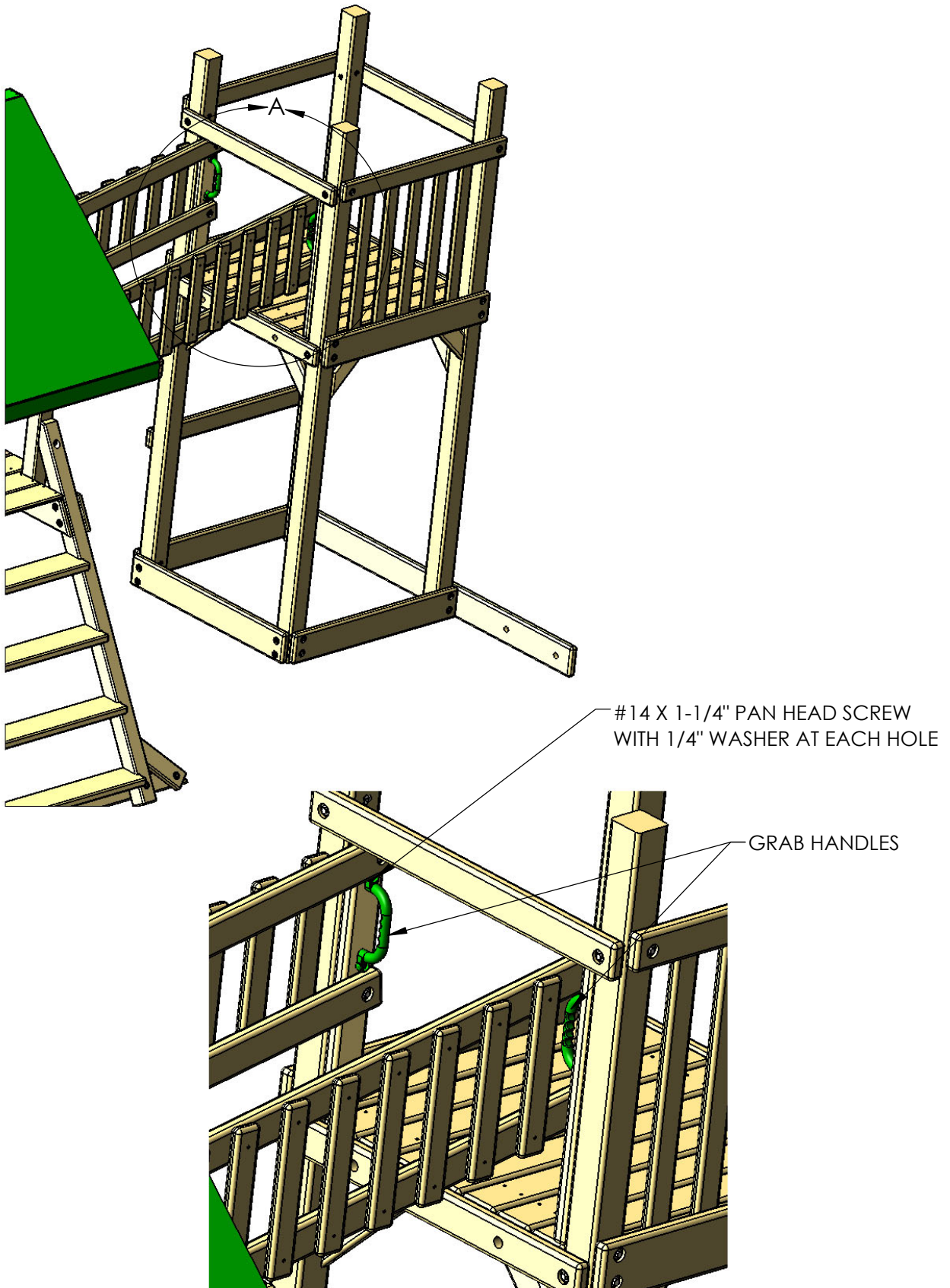
## STEP 22: BRIDGE RAILINGS

1: FASTEN THE BRIDGE RAILING TO THE CORNER POSTS OF THE TOWER AND THE PLAYSET WITH FOUR 5/16" X 3-1/2" LAG SCREWS AND FOUR 5/16" WASHERS.



## STEP 23: GRAB HANDLES

1: INSTALL 2 GRAB HANDLES AS SHOWN BELOW. USE THE HARDWARE PROVIDED WITH THE GRAB HANDLES TO INSTALL THEM.

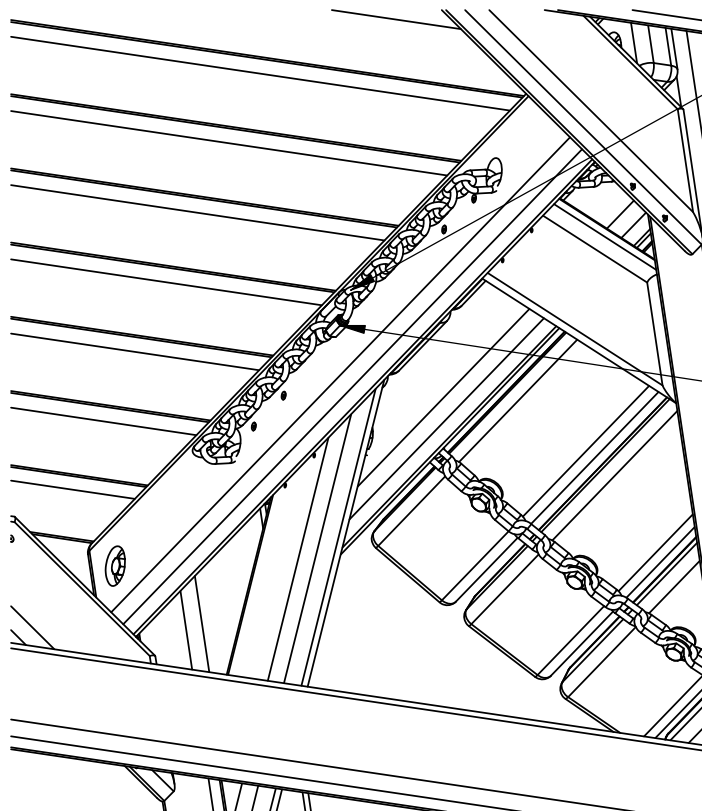
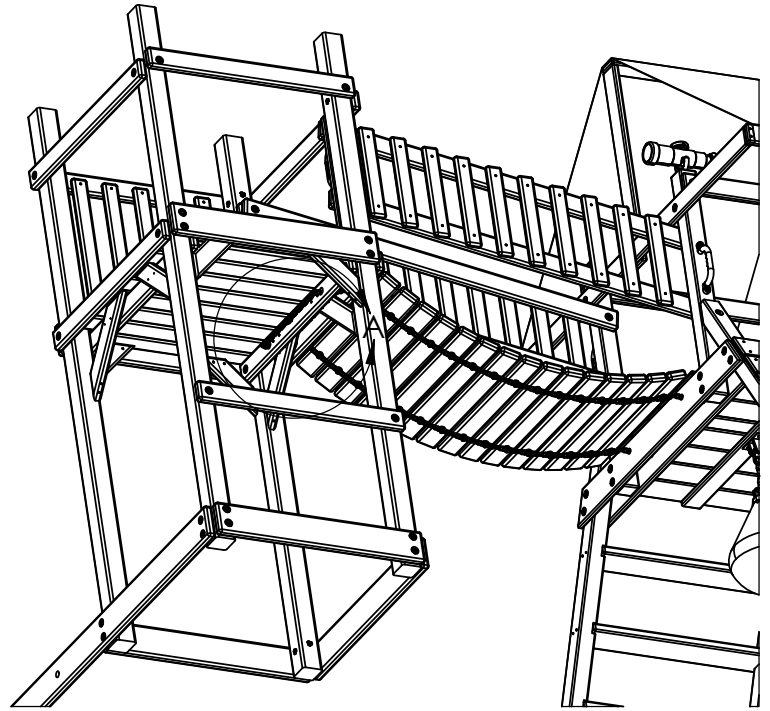
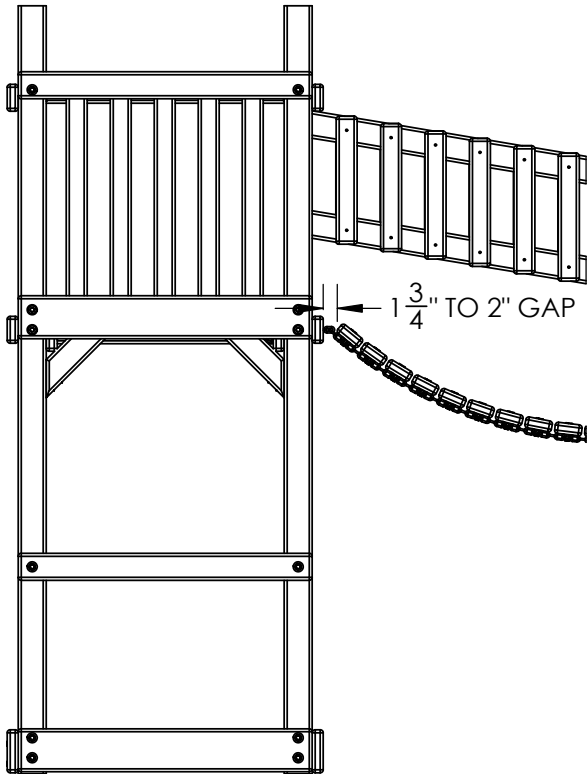


DETAIL A  
SCALE 1 : 12

## STEP 24: BRIDGE DECK/CHAIN INSTALLATION

1: LAY THE BRIDGE DECK/CHAIN ASSEMBLY BETWEEN THE PLAYSET AND THE TOWER WITH THE CHAINS FACING THE GROUND. THREAD THE CHAIN ENDS IN THE BRIDGE DECK ASSEMBLY THROUGH THE HOLES IN THE BOTTOM PANEL BOARD AND THE DECK SUPPORT ON THE TOWER.

2: THERE SHOULD BE AT LEAST A 1-3/4" TO 2" GAP BETWEEN THE BRIDGE DECK BOARD AND THE BOTTOM PANEL BOARD ON THE TOWER. THIS MEANS THAT YOU WILL HAVE TO CONNECT THE ENDS OF THE CHAINS IN A MANNER TO ACHIEVE THE CORRECT GAP. GO UNDERNEATH THE DECK AND USE A QUICK LINK TO CONNECT THE ENDS OF THE CHAINS TO CONNECT THE CHAINS TOGETHER WHILE YOU HAVE AN ASSISTANT HOLD UP THE BRIDGE DECK. IF YOU HAVE LOOSE ENDS OF THE CHAINS HANGING DOWN THREAD THEM THROUGH THE QUICK LINK TO KEEP THEM UP AND OUT OF THE WAY. THE CHAIN MUST GO THROUGH TWO BOARDS, **NO EXCEPTIONS.**



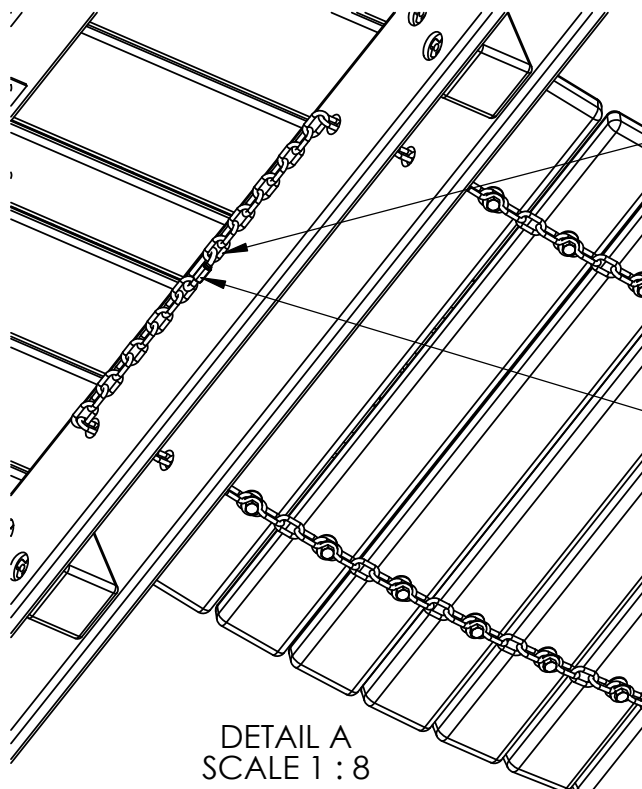
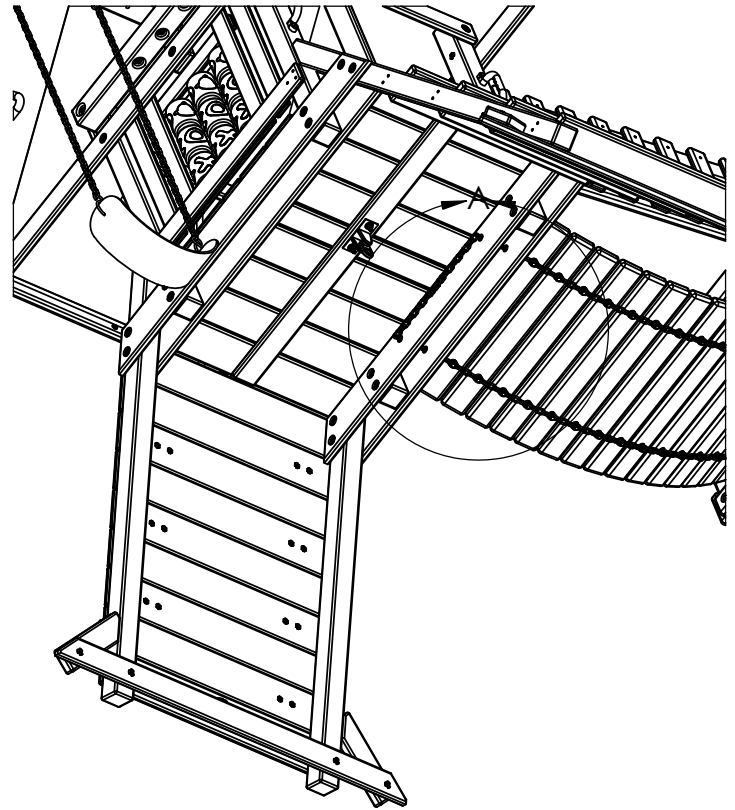
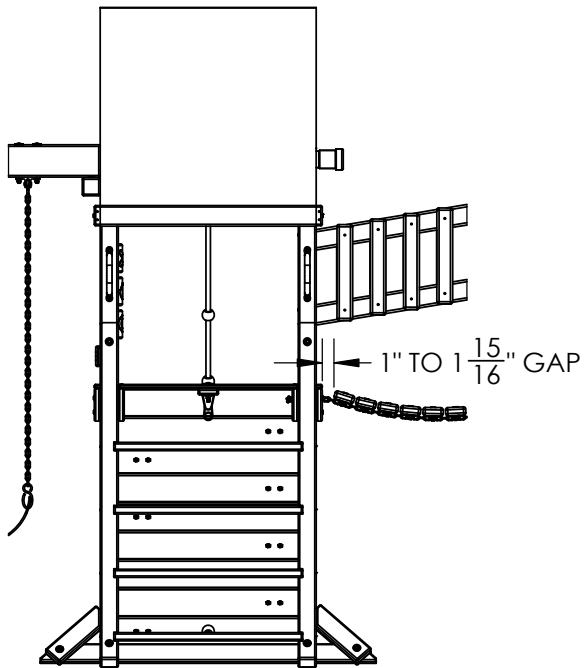
NOTE: TO ACHIEVE THE CORRECT GAP YOU MAY NOT BE CONNECTING THE END LINK OF EACH CHAIN. FOR EXAMPLE YOU MAY HAVE TO CONNECT THE SECOND, THIRD, OR FOURTH LINKS TOGETHER.

QUICK LINK



## STEP 25: BRIDGE DECK/CHAIN INSTALLATION

1: THERE SHOULD BE A 1" TO 1-15/16" GAP BETWEEN THE OUTER FORT SUPPORT AND THE BRIDGE DECK BOARD AT THE PLAYSET FORT. THIS MEANS THAT YOU WILL HAVE TO CONNECT THE ENDS OF THE CHAINS IN A MANNER TO ACHIEVE THE CORRECT GAP. GO UNDERNEATH THE FORT AND USE A QUICK LINK TO CONNECT THE CHAINS TOGETHER WHILE YOU HAVE AN ASSISTANT HOLD UP THE BRIDGE DECK. IF YOU HAVE LOOSE ENDS OF THE CHAINS HANGING DOWN THREAD THEM THROUGH THE QUICK LINK TO KEEP THEM UP AND OUT OF THE WAY. THE CHAIN MUST GO THROUGH TWO BOARDS. **NO EXCEPTIONS.**



NOTE: TO ACHIEVE THE CORRECT GAP YOU MAY NOT BE CONNECTING THE END LINK OF EACH CHAIN. FOR EXAMPLE YOU MAY HAVE TO CONNECT THE SECOND, THIRD OR FOURTH LINKS TOGETHER.

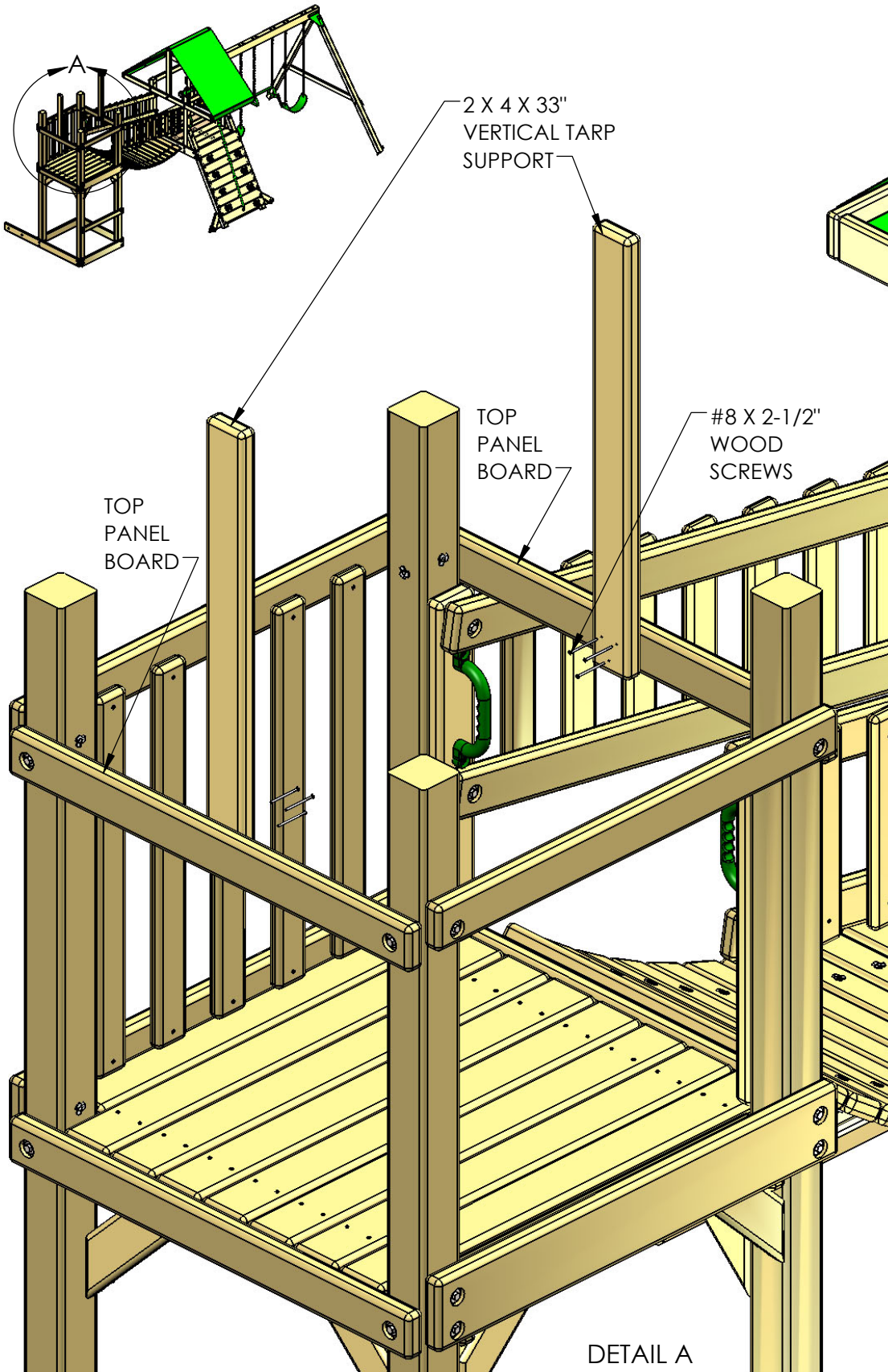
QUICK LINK

DETAIL A  
SCALE 1 : 8

## STEP 26: VERTICAL TARP SUPPORTS

1: PLACE THE 2 X 4 X 33" VERTICAL TARP SUPPORTS ON THE INSIDE OF THE TOP PANEL BOARDS. THE END OF EACH VERTICAL TARP SUPPORT SHOULD BE FLUSH TO THE BOTTOM OF THE TOP PANEL BOARD. CENTER EACH VERTICAL TARP SUPPORT WITH THE CENTER OF THE TOP PANEL BOARD. SQUARE EACH VERTICAL TARP SUPPORT TO THE TOP PANEL BOARD.

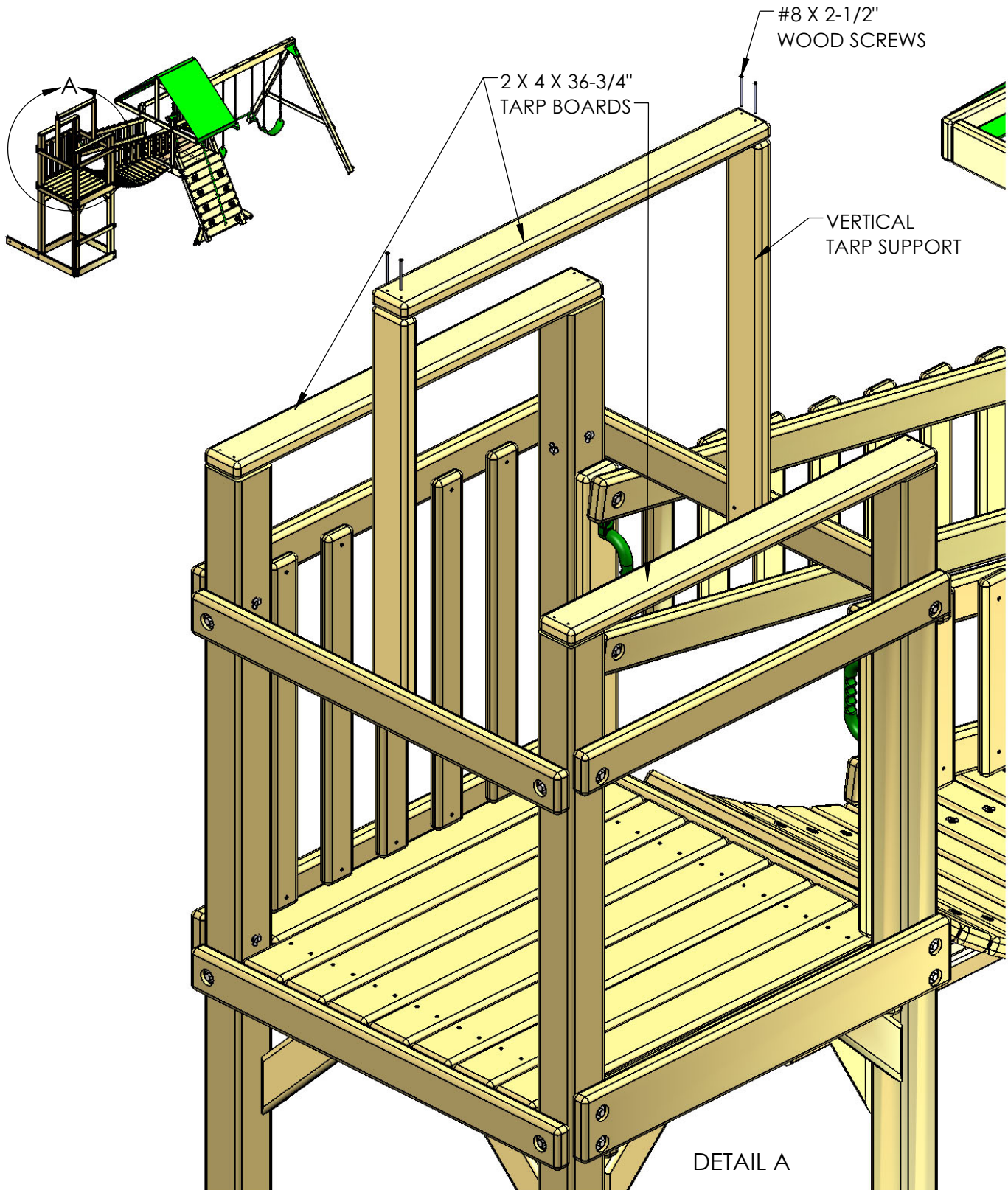
2: ATTACH THE VERTICAL TARP SUPPORTS TO THE BOARDS WITH 2-1/2" WOOD SCREWS.





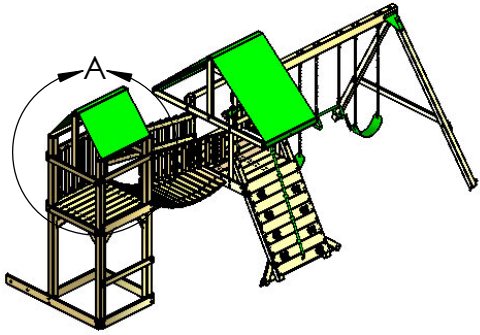
## STEP 27: TARP BOARDS

- 1: LOCATE THREE 2 X 4 X 36-3/4" TARP BOARDS.
- 2: PLACE ONE TARP BOARD ON TOP OF THE VERTICAL TARP SUPPORTS. THE END OF THE TARP BOARD SHOULD BE FLUSH WITH THE SIDES OF THE VERTICAL TARPS SUPPORTS.
- 3: ATTACH THE TARP BOARD TO THE VERTICAL TARP SUPPORTS WITH 2-1/2" WOOD SCREWS.
- 4: PLACE ONE TARP BOARD ON TOP OF THE CORNER POSTS. THE TARP BOARD SHOULD BE FLUSH TO THE OUTSIDE OF THE CORNER POST.
- 5: ATTACH THE TARP BOARD TO THE TOP OF THE CORNER POSTS WITH 2-1/2" WOOD SCREWS.
- 6: REPEAT SUBSTEPS 4 AND 5 TO INSTALL THE LAST TARP BOARD.

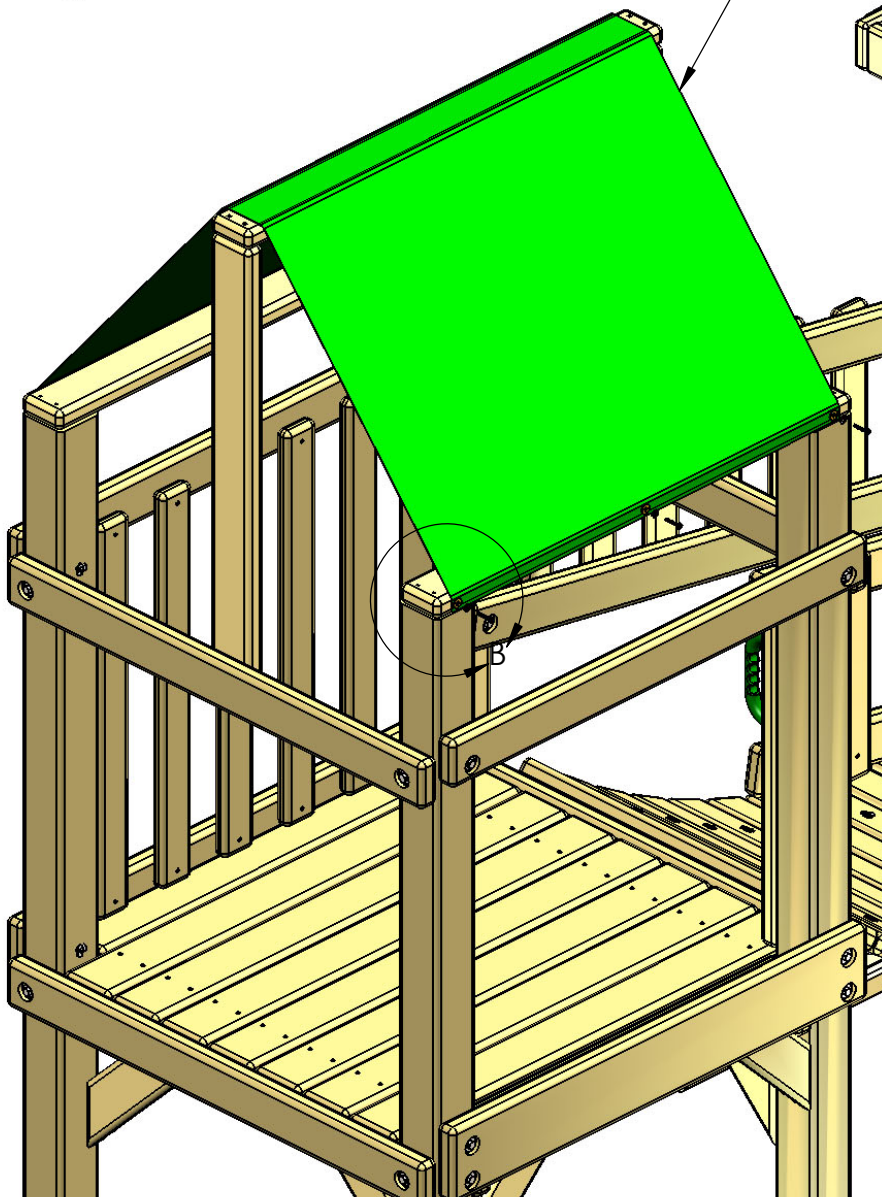


## STEP 28: CLATTER BRIDGE TARP

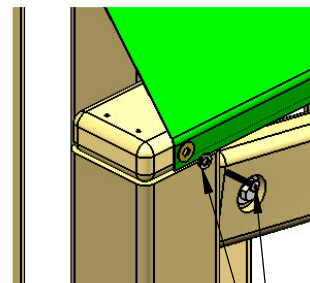
- 1: LOCATE THE 34-1/4" X 57-1/2" CLATTER BRIDGE TARP.
- 2: PLACE THE TARP OVER THE TOP OF THE TARP BOARD ON TOP OF THE VERTICAL TARP SUPPORTS. THE HEMS SHOULD FACE THE INSIDE.
- 3: THE TARP WILL OVERLAP THE SIDE OF THE TARP BOARDS ON TOP OF THE CORNER POSTS.
- 4: ATTACH THE TARP THROUGH THE GROMMETS TO THE TARP BOARDS WITH #14 X 1-1/4" PAN HEAD SCREWS AND 1/4" FLAT WASHERS.



34-1/4" X 57-1/2"  
CLATTER BRIDGE TARP



DETAIL A



1/4" WASHER  
#14 X 1-1/4"  
PAN HEAD  
SCREW

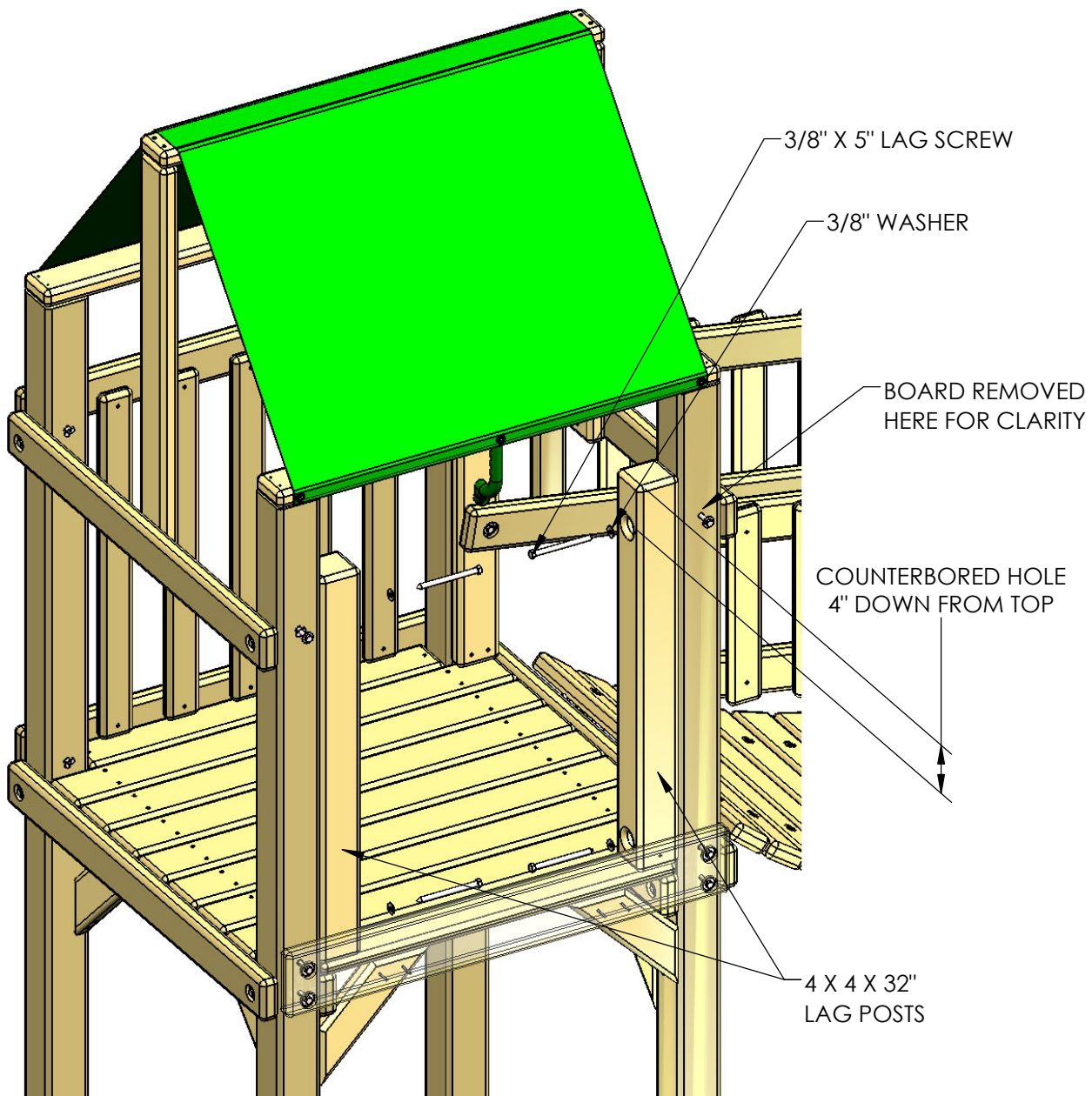
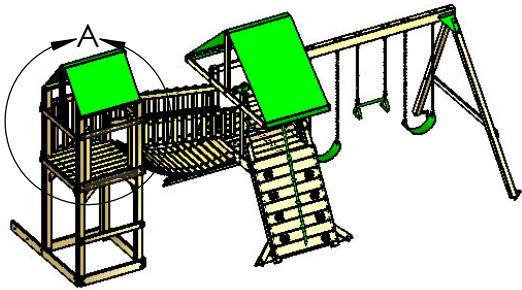
DETAIL B

## STEP 29: LAG POSTS

1: LOCATE TWO 4 X 4 X 32" LAG POSTS.

2: PLACE THE LAG POSTS ON THE INSIDE OF CORNER POSTS C AND D AS SHOWN. THE COUNTERBORED HOLE THAT IS 4" FROM THE END SHOULD BE AT THE TOP.

3: ATTACH EACH LAG POST TO THE CORNER POST WITH 3/8" X 5" LAG SCREWS AND 3/8" WASHERS.



DETAIL A

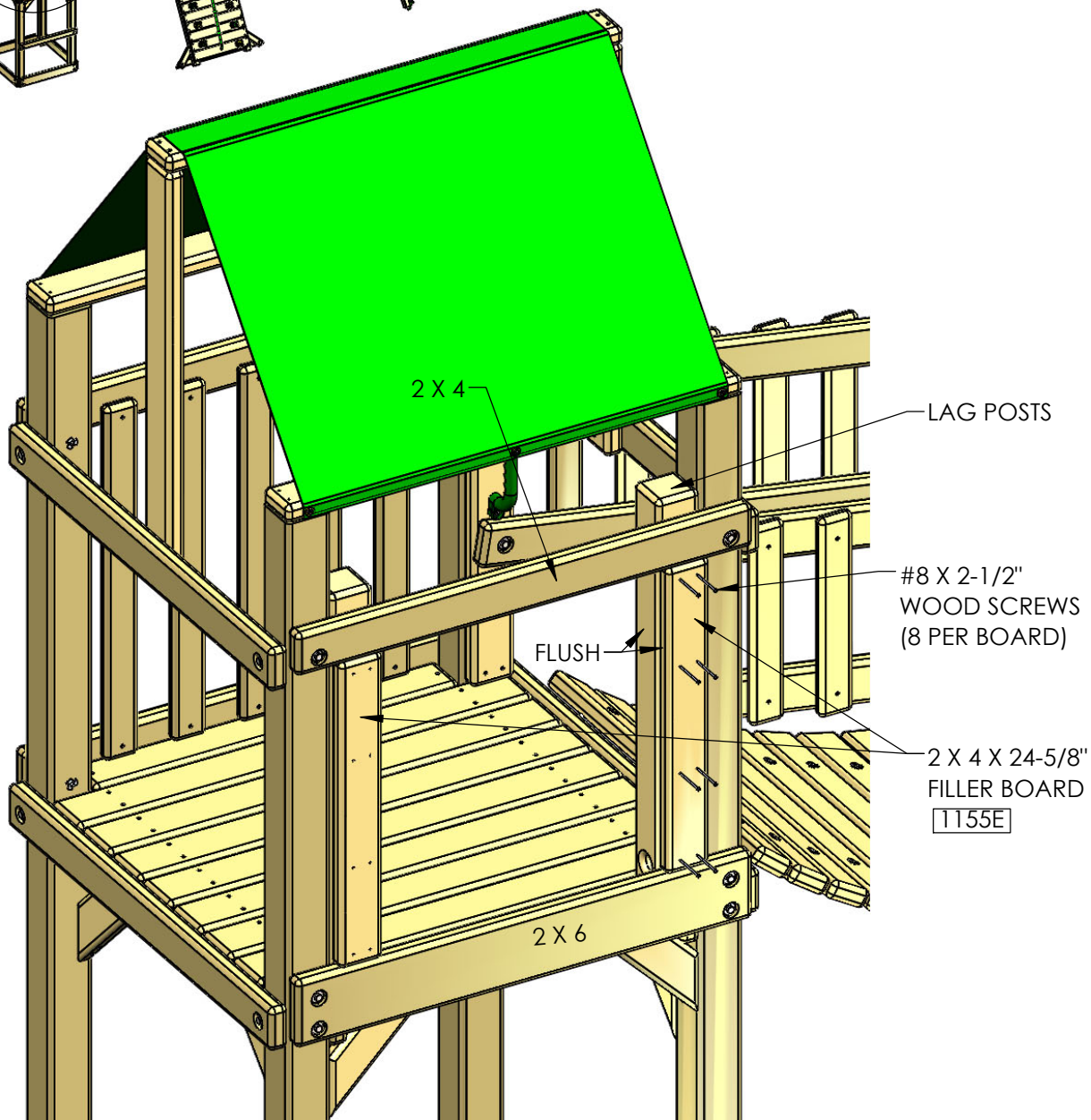
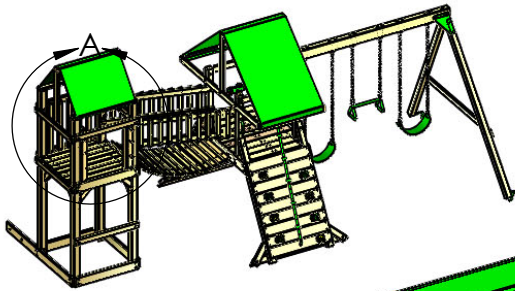


## STEP 30: FILLER BOARDS

1: PLACE THE FILLER BOARDS ON TOP OF THE LAG POSTS.

2: THE FILLER BOARDS SHOULD FIT IN BETWEEN THE 2 X 4 AND THE 2 X 6. IF THEY DO NOT FIT THEN LOOSEN THE HORIZONTAL 2 X 4 ABOVE THEM, THEN INSTALL THE FILLER BOARDS AND TIGHTEN THE 2 X 4 BACK UP.

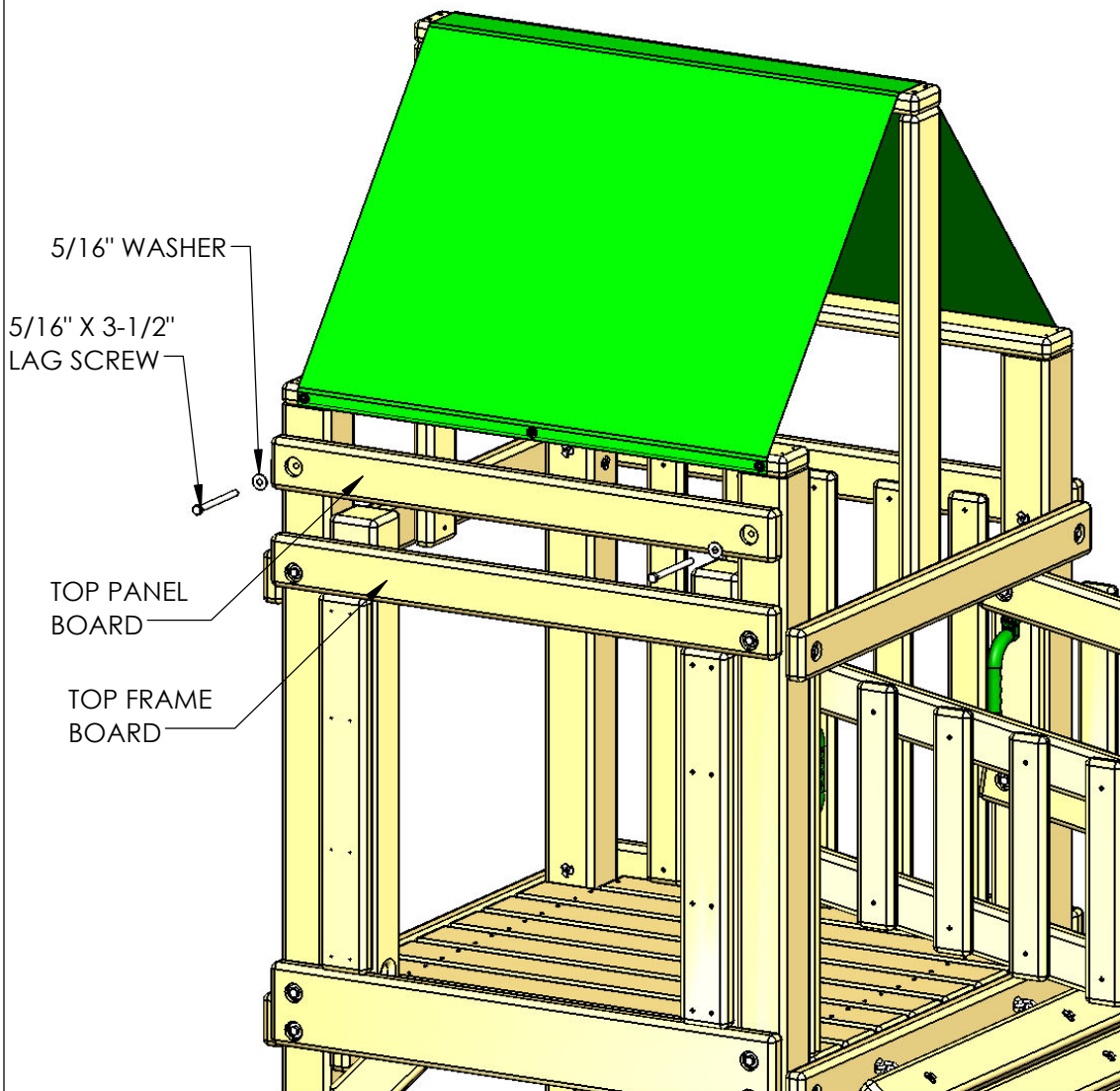
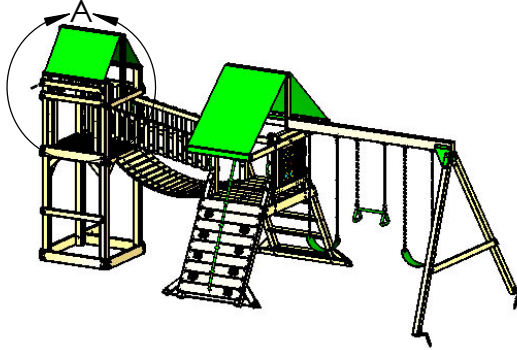
3: FASTEN THE FILLER BOARDS WITH EIGHT #8 X 2-1/2" WOOD SCREWS EACH.



DETAIL A

## STEP 31: PANEL BOARD

- 1: CENTER THE 2 X 4 X 36-3/4" TOP PANEL BOARD VERTICALLY ABOVE THE TOP FRAME BOARD.
- 2: ATTACH THE TOP PANEL BOARD WITH 5/16" X 3-1/2" LAG SCREWS AND 5/16" WASHERS.



DETAIL A

## STEP 32: 5' QUICK CONNECT TURBO SLIDE

1: ASSEMBLE THE 5' QUICK CONNECT TURBO SLIDE USING THE INSTRUCTIONS INCLUDED WITH THE SLIDE NOTING THE OPTIONS/EXCEPTIONS BELOW:

2: USE STEP 16A EXIT ASSEMBLY (LOW SETTING) TO CONSTRUCT THE EXIT ASSEMBLY

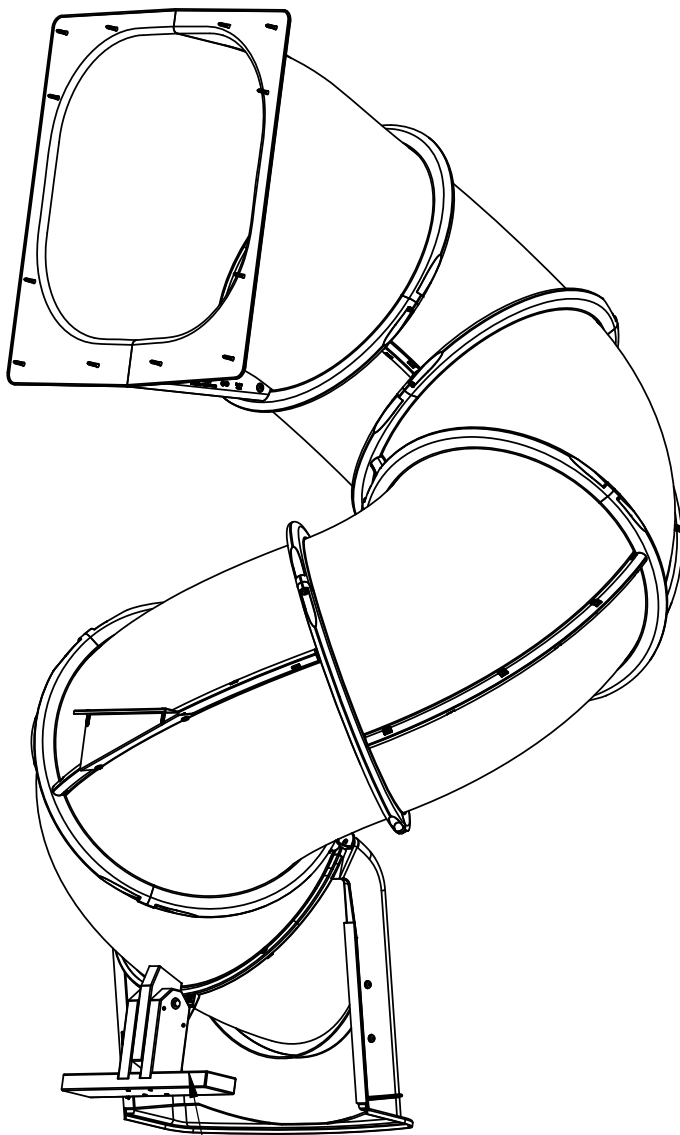
3: USE STEP 17A EXIT SUPPORT ASSEMBLY (LOW SETTING) TO CONSTRUCT THE EXIT SUPPORT ASSEMBLY.

4: USE STEPS 18A AND 18B TO CONNECT THE EXIT SECTION TO THE EXIT ASSEMBLY.

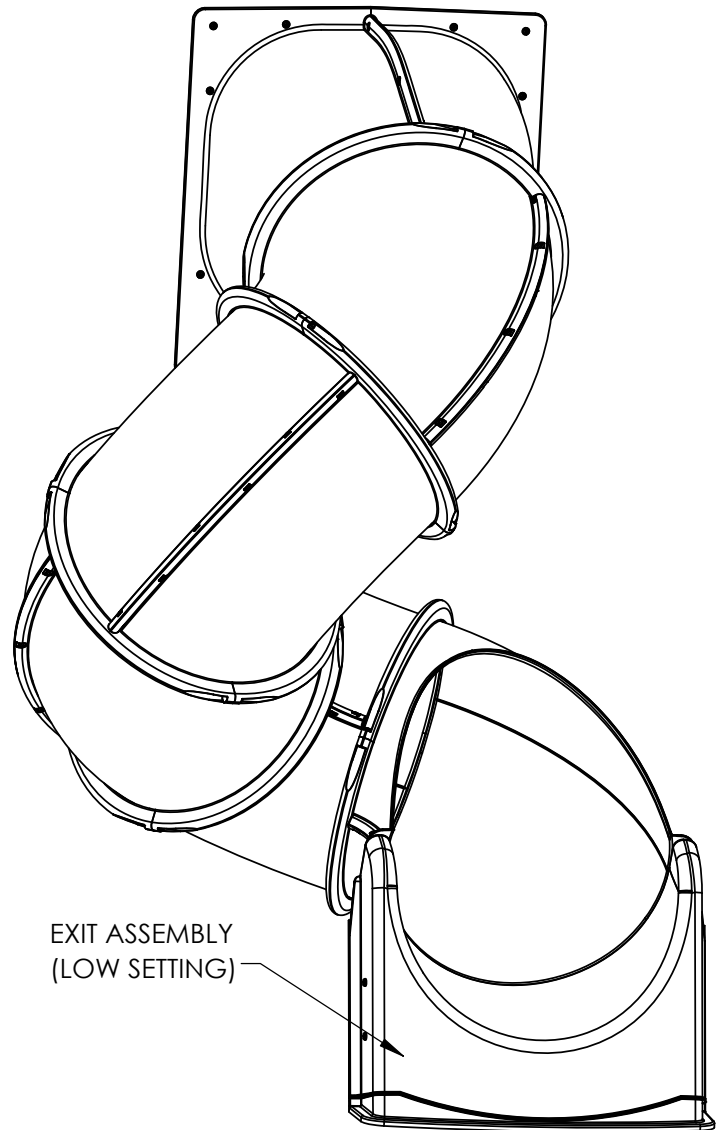
5: SKIP STEPS 19 & 20

6: USE STEP 21A TO CONNECT THE EXIT SUPPORT TO THE EXIT BRACKET (LOW SETTING)

NOW YOU ARE READY TO CONNECT THE SLIDE TO THE PLAYSET IN THE NEXT STEP.



EXIT SUPPORT ASSEMBLY  
(LOW SETTING)



EXIT ASSEMBLY  
(LOW SETTING)



# STEP 32A: ATTACHING SLIDE TO BRIDGE TOWER

IT IS BEST TO USE AN ASSISTANT FOR THIS STEP.

1: AS YOU ARE LIFTING THE SLIDE BE CAREFUL NOT TO DRAG THE WOOD EXIT SUPPORT AS THIS MAY DAMAGE THE PLASTIC FLANGE WHERE IT IS ATTACHED.

2: LIFT THE SLIDE AND PLACE THE SLIDE MOUNT BRACKET ON TOP OF THE TOP PANEL BOARD.

3: POSITION THE CENTER OF THE ENTRY SEAM AT THE 87-1/2" MARK YOU MADE EARLIER IN THE INSTRUCTIONS.

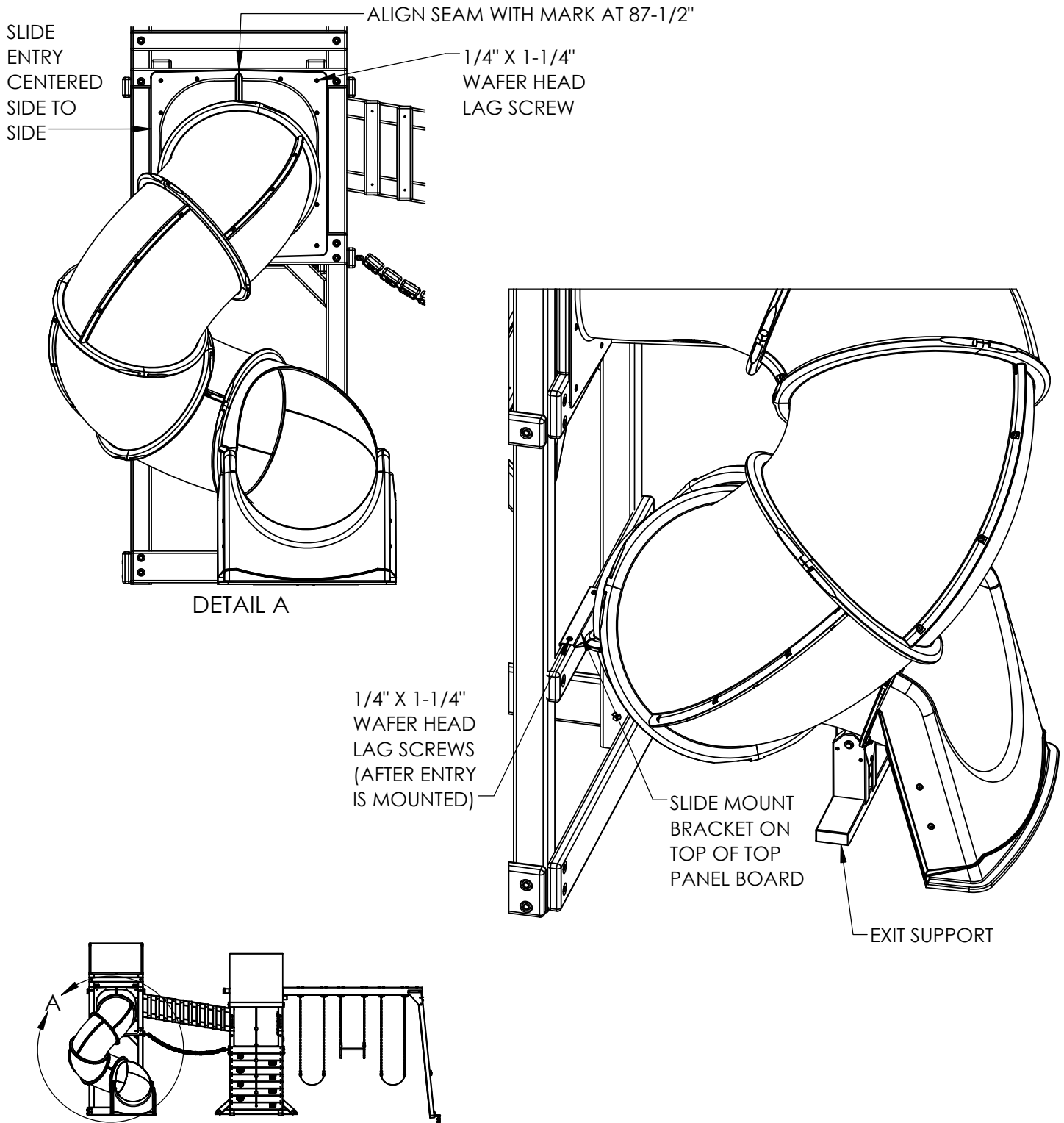
4: THE SLIDE ENTRY SHOULD BE CENTERED SIDE TO SIDE ON THE TOWER.

5: HAVE AN ASSISTANT HOLD THE SLIDE IN PLACE WHILE YOU MAKE MARKS AT ALL OF THE HOLES IN THE ENTRY.

6: DRILL TWELVE 1/8" DIAMETER BY 1" DEEP HOLES AT EACH MARK.

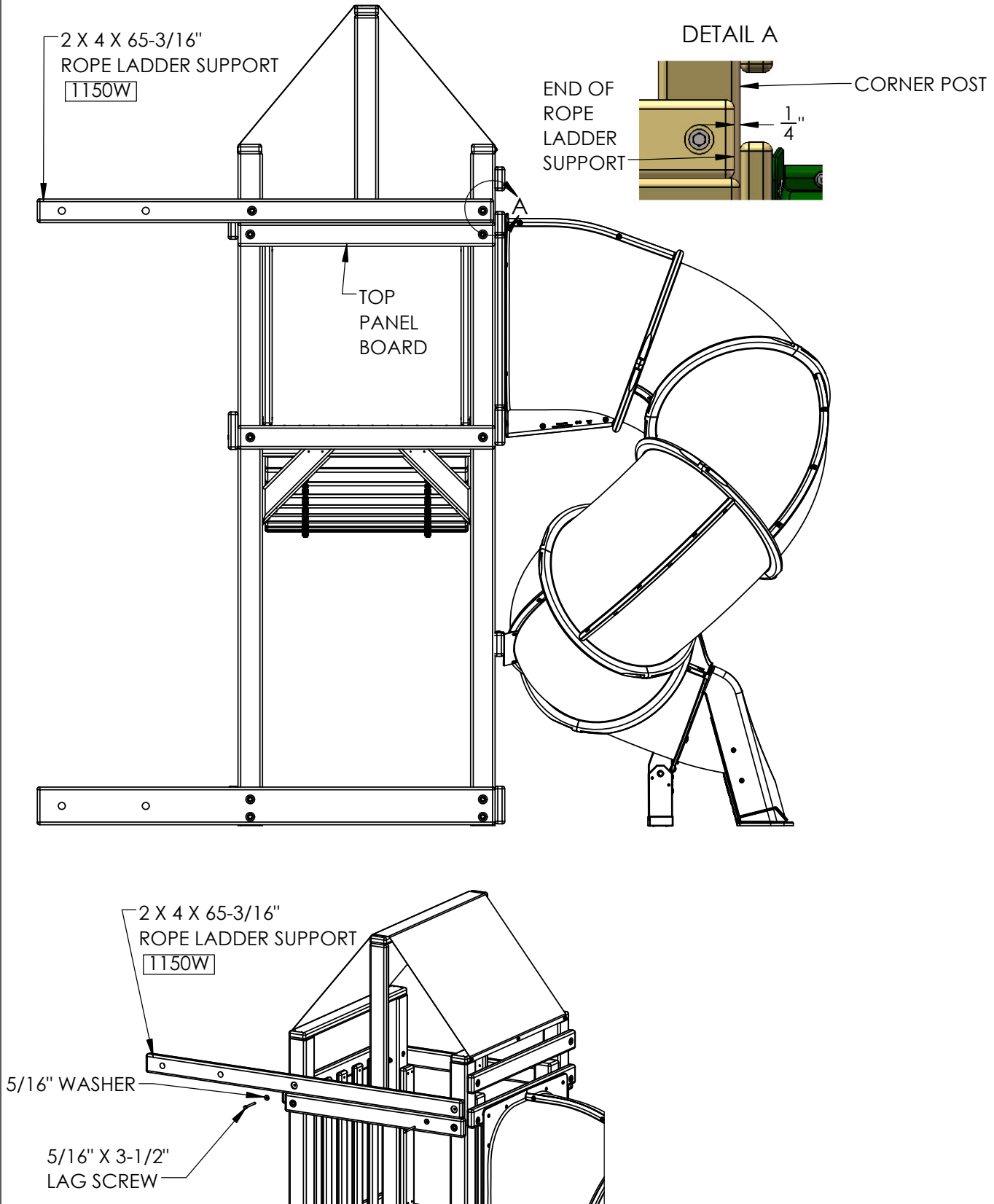
7: INSTALL A 1/4" X 1-1/4" WAFER HEAD LAG SCREW AT EACH HOLE.

8: GO TO THE SLIDE MOUNT BRACKET AND DRILL A 1/8" DIAMETER BY 1-1/4" DEEP HOLE THROUGH EACH HOLE IN THE BRACKET. INSTALL A 1/4" X 1-1/4" WAFER HEAD LAG SCREW AT EACH HOLE.



## STEP 33: ROPE LADDER SUPPORT

- 1: PLACE THE 2 X 4 X 65-3/16' L ROPE LADDER SUPPORT ON TOP OF THE TOP PANEL BOARD.
- 2: THE END OF THE ROPE LADDER SUPPORT SHOULD BE INSET FROM THE CORNER POST 1/4" AS SHOWN IN DETAIL A BELOW.
- 3: FASTEN THE ROPE LADDER SUPPORT WITH 5/16" X 3-1/2" LAG SCREWS AND 5/16" WASHERS.



# STEP 34: ROPE LADDER

- 1: MAKE A FIGURE 8 KNOT IN THE END OF EACH ROPE AND THREAD THE FREE END THROUGH THE BACK SIDE OF THE ROPE LADDER SUPPORT. PULL EACH ROPE TAUT.
- 2: MEASURE FROM THE BOTTOM OF THE ROPE LADDER SUPPORT DOWN 19 INCHES AND TIE A THUMB KNOT. THE TOP OF THE KNOT SHOULD BE 19 INCHES BELOW THE BOTTOM OF THE ROPE LADDER SUPPORT. SLIDE EACH ROPE THROUGH THE HOLES IN ONE ROPE LADDER STEP. SLIDE THE STEP UP AGAINST THE BOTTOM OF THE KNOTS.
- 3: TIE TWO THUMB KNOTS BELOW THE ROPE LADDER STEP.
- 4: SPACE THE ROPE LADDER STEPS 11-1/2 INCHES APART. TIE TWO THUMB KNOTS BELOW THE SECOND LADDER STEP.
- 5: REPEAT SUBSTEP 4 FOR THE REMAINING LADDER STEPS.
- 6: THREAD ROPES THROUGH THE HOLES IN THE ROPE LADDER RUNNER AND TIE A THUMB KNOT. GRAB EACH ROPE AND ATTEMPT TO WRAP IT AROUND YOUR HAND. IF THE ROPE WRAPS AROUND YOUR HAND IT IS TOO LOOSE. IF THE ROPE IS TOO LOOSE UNTIE THE KNOT BEHIND THE ROPE LADDER RUNNER AND RETIE IT UNTIL YOU CAN NO LONGER WRAP THE ROPE AROUND YOUR HAND. TIE THUMB KNOTS IN THE ROPE UNTIL ALL OF IT IS USED.



1) TIE A "FIGURE 8" KNOT IN EACH ROPE AND THREAD THEM THROUGH THE BACK SIDE OF THE ROPE LADDER SUPPORT

2) MEASURE DOWN 19" BELOW THE BOTTOM OF THE ROPE LADDER SUPPORT AND TIE 2 THUMB KNOTS. THE TOP OF EACH KNOT SHOULD LIE AT THE 19" MARK.

2.1) SLIDE A ROPE LADDER STEP AGAINST THE TWO KNOTS.

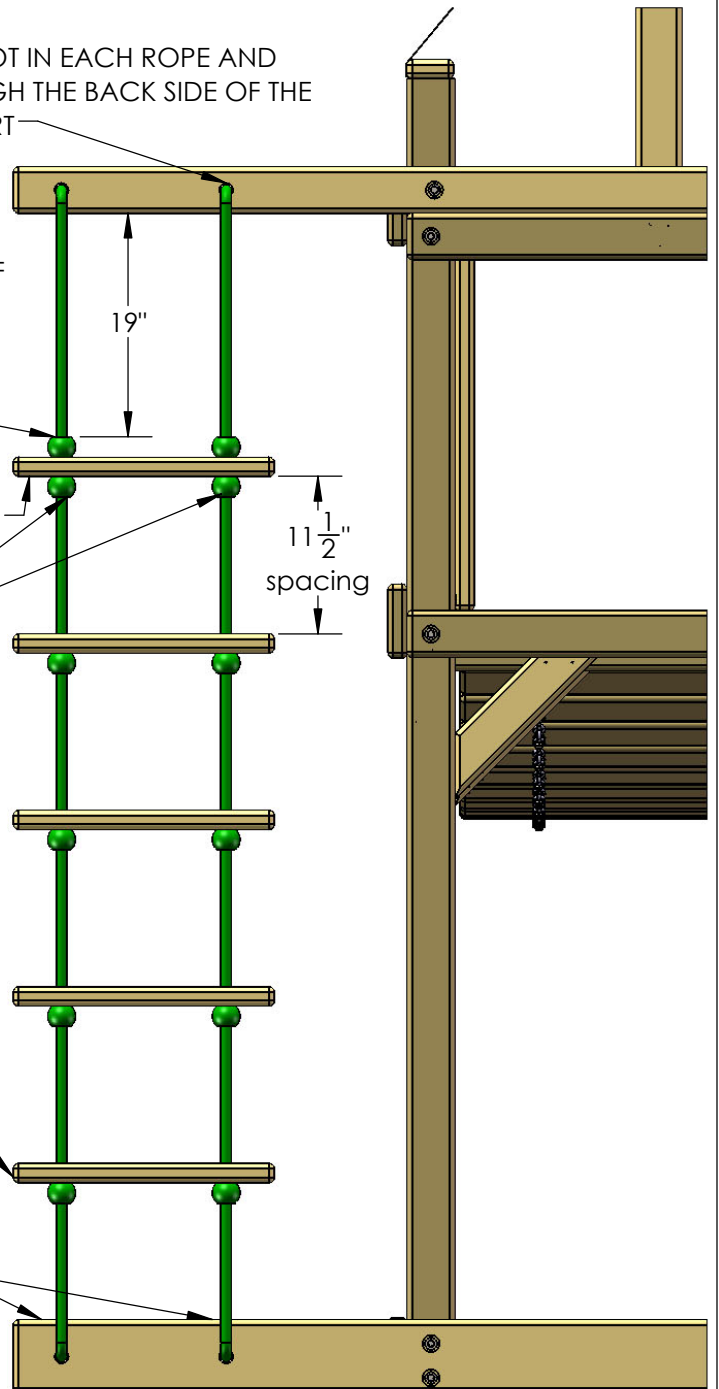
3) TIE THESE TWO THUMB KNOTS BELOW THE ROPE LADDER STEP.



THUMB KNOT

2 X 4 X 19" ROPE LADDER STEP [1150V]

6) TIE THUMB KNOTS ON BACK SIDE OF ROPE LADDER RUNNER.

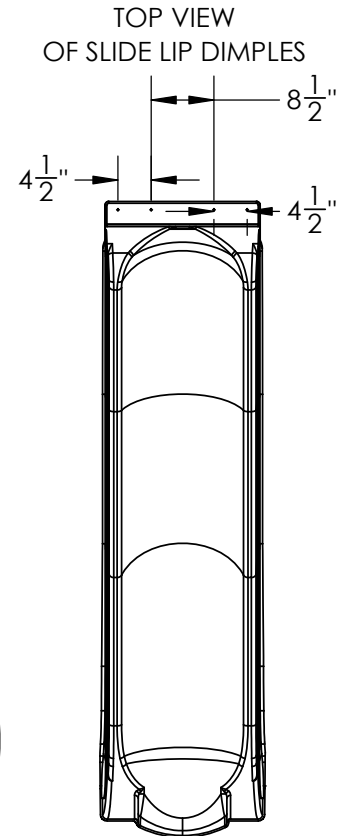
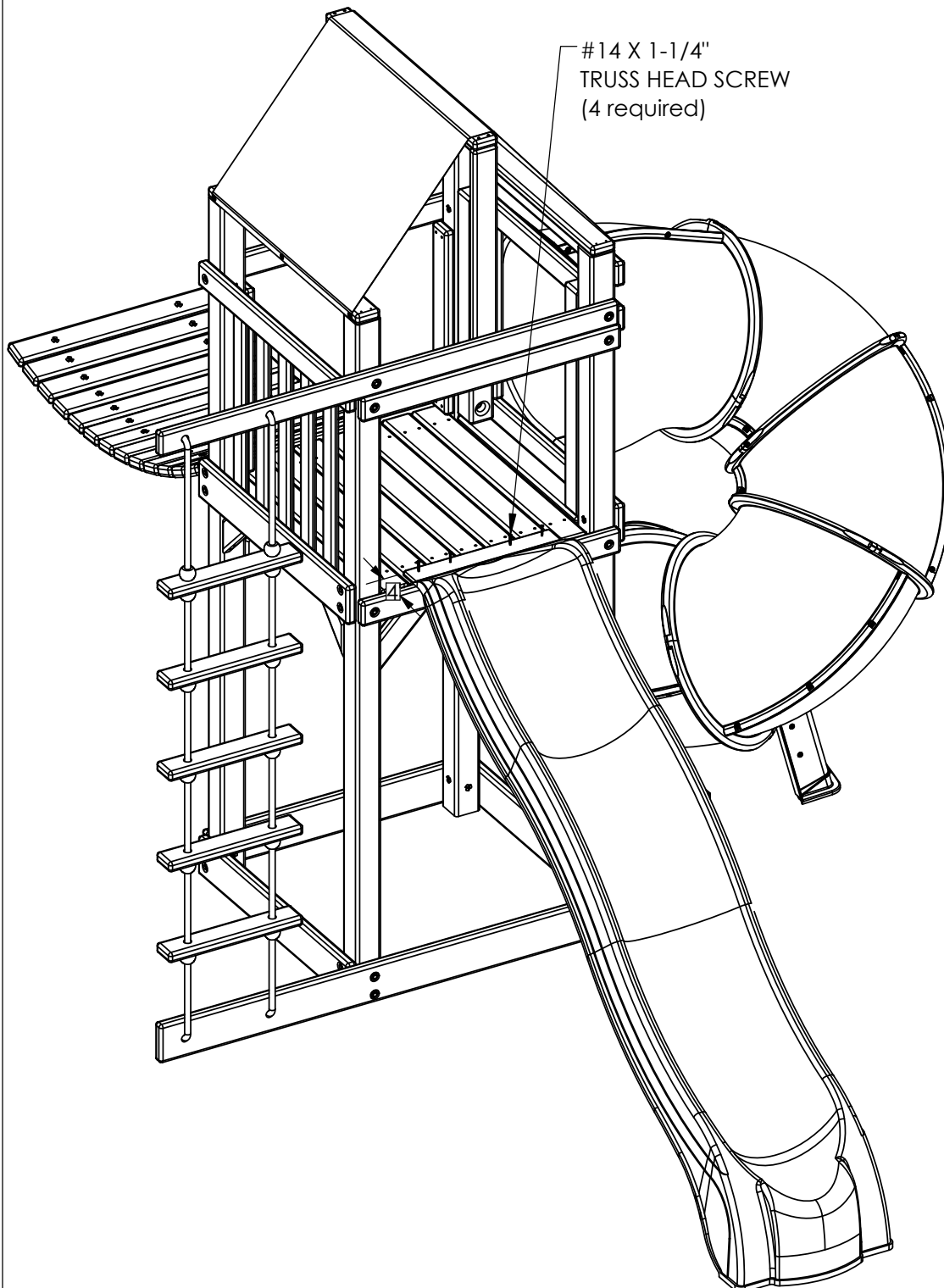


## STEP 35: SLIDE

1: PLACE THE SLIDE ON TOP OF THE DECK BOARDS WITH THE LIP OVERHANGING ONTO THE DECK BY 4" AS SHOWN. CENTER THE SLIDE SIDE TO SIDE WITHIN THE OPENING.

2: PREDRILL 1/8" HOLES INTO THE DECK THROUGH THE SLIDE LIP DIMPLES SHOWN BELOW ABOUT 3/4" DEEP INTO THE WOOD.

3: INSTALL A #14 X 1-1/4" TRUSS HEAD SCREW AT EACH HOLE.



### Leftover Parts List 1155 Play Set – Build Option A

Our play sets are modular and use parts boxes to construct many different models. Some of these parts included with your play set will not be used because they are for a different model or build option. The list below includes parts for your play set that will be leftover when construction is completed.

#### **Parts from boxes 1150**

1 piece 1150AH Slide Block

1 piece 1150Q Rope Ladder Runner

#### **Parts from box 1155**

1 piece 1155J Panel Slat

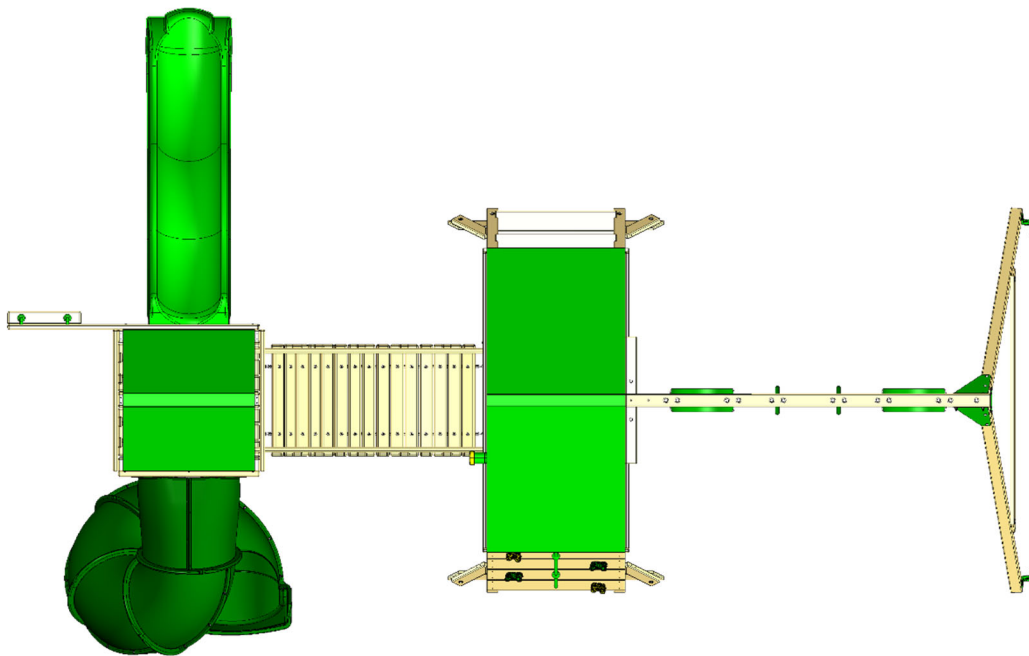
#### **Parts from box 1509N**

1 piece 2-6-3675-BPB Bottom Panel Board

1 piece 4-4-2900-CP Center Post

5 pieces 125-3-2850-PS Panel Slat

BUILD OPTION B AS SHOWN BELOW  
FOLLOWS AFTER THIS PAGE.





# STEP 1: ATTACHING T-NUTS TO THE CORNER POSTS

1: THIS STEP IS CRITICAL TO BUILDING THE FORT PROPERLY. IF ANY MISTAKES ARE MADE HERE, YOU WILL NEED TO DIS-ASSEMBLE AND THEN RE-ASSEMBLE TO MAKE YOUR CORRECTIONS.

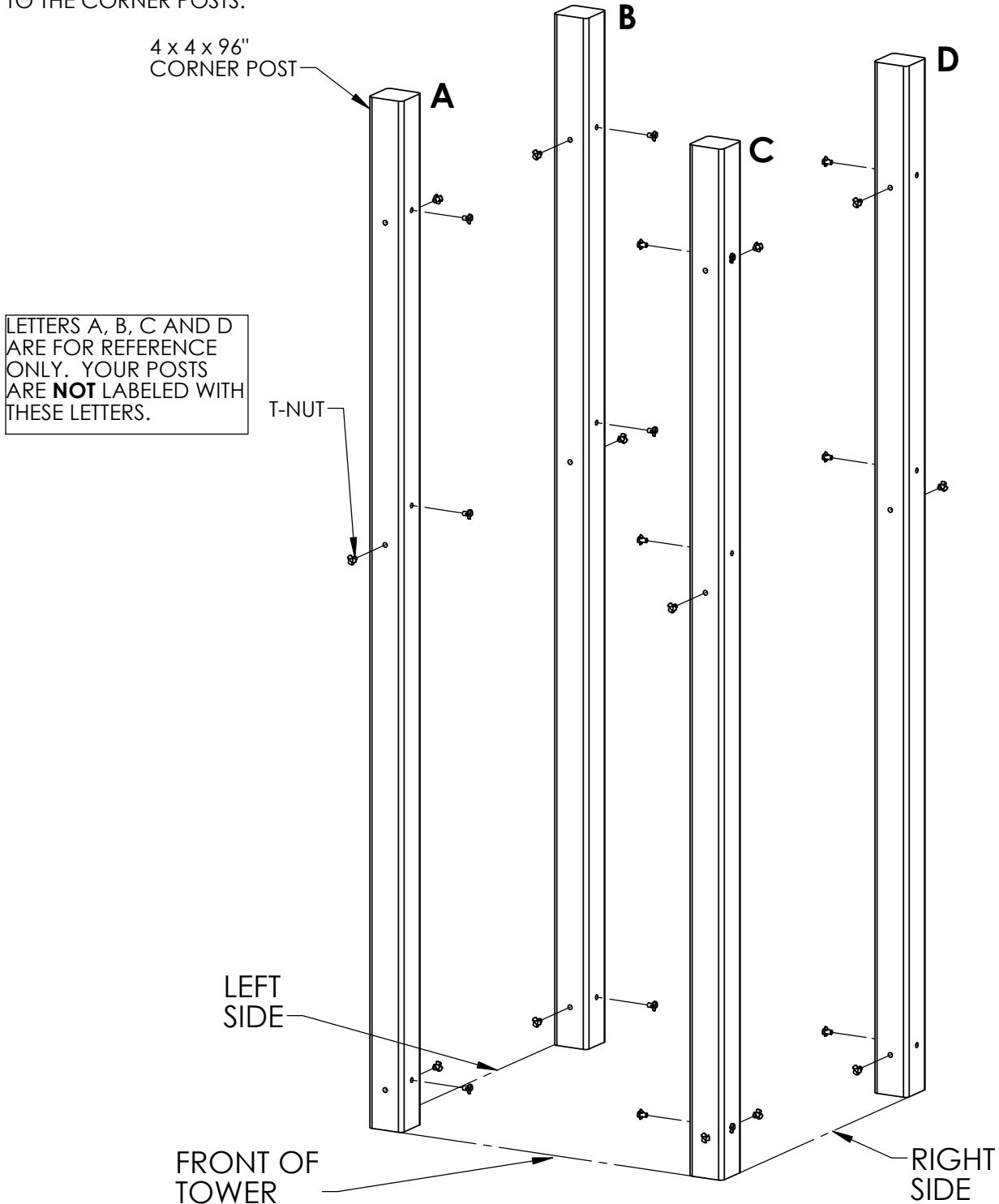
2: MAKE SURE HOLES ARE FREE OF ANY OBSTRUCTIONS. USE A BOLT TO CLEAN OUT ANY DEBRIS.

3: LAY OUT EACH OF THE 4 X 4 X 96" CORNER POSTS IN THE AREA YOU INTEND ON BUILDING THE TOWER OF THE CLATTER BRIDGE.

4: USE THE DIAGRAM BELOW TO CORRECTLY IDENTIFY AND ORIENT THE NECESSARY DIRECTION THE POSTS SHOULD FACE. NOTE LETTERS A, B, C AND D ARE FOR REFERENCE ONLY. YOUR POSTS ARE **NOT** LABELED WITH THESE LETTERS.

5: USE A HAMMER TO SEAT THE T-NUTS AFTER INSERTING THEM INTO THE HOLES SHOWN IN THE DIAGRAM BELOW.

6: THE BARREL OF THE T-NUT SHOULD GO IN THE HOLE FIRST. HAMMER THE T-NUT UNTIL IT IS FLUSH/ALMOST FLUSH TO THE CORNER POSTS.



## STEP 2: ASSEMBLING THE RIGHT SIDE FRAME

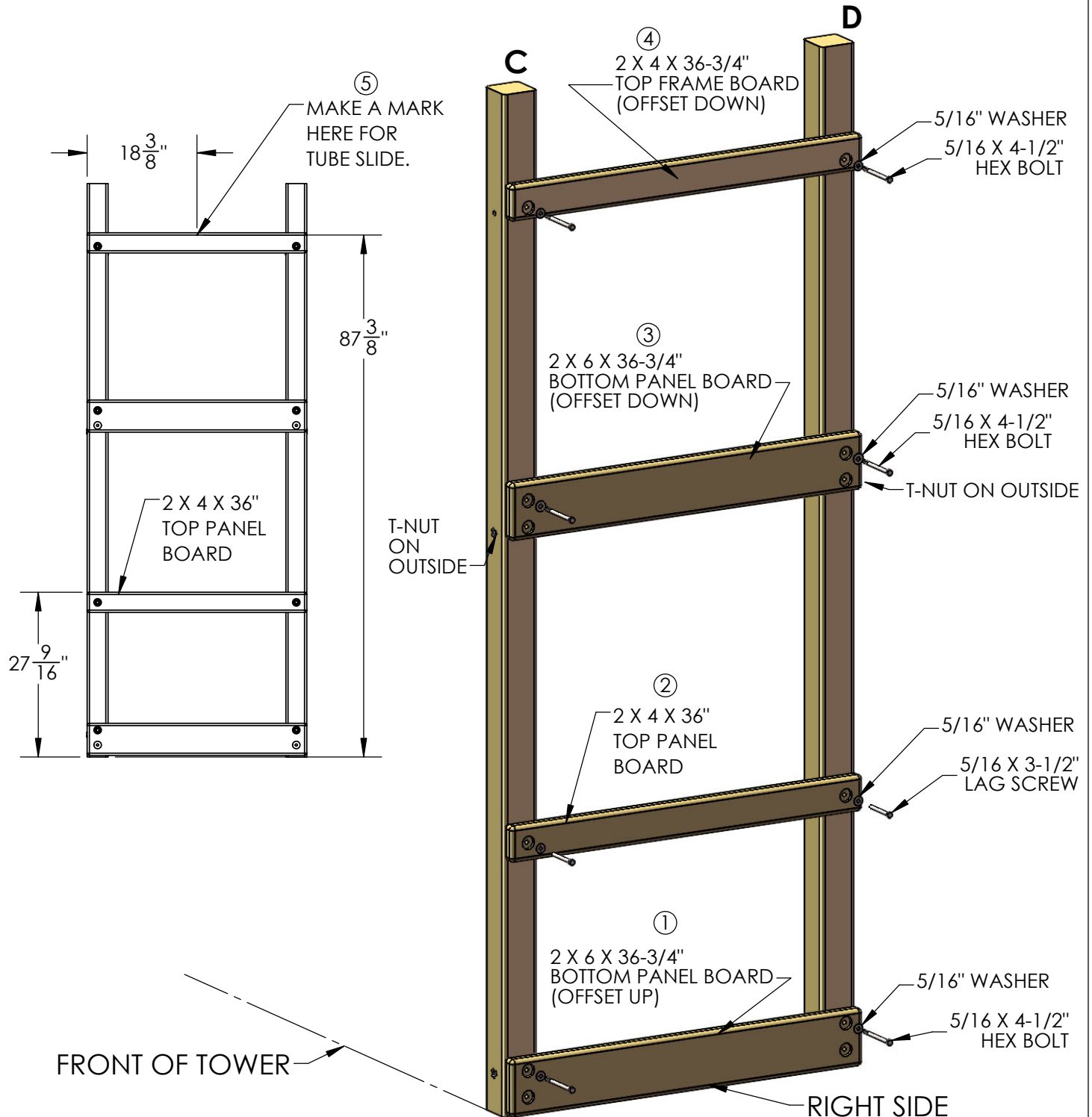
1: PLACE THE 2 X 6 X 36-3/4" TO BOARD (OFFSET UP) ON TOP OF THE RIGHT SIDE CORNER POSTS AT THE BOTTOM OF THE CORNER POSTS. USE 5/16" X 4-1/2" HEX BOLTS AND 5/16" WASHERS TO ATTACH THE TOP HOLES OF THE SANDBOX BOARD TO THE CORNER POSTS. THE BOTTOM HOLES WILL BE USED LATER.

2: PLACE THE 2 X 4 X 36-3/4" TOP PANEL BOARD 27-9/16" UP FROM THE BOTTOM OF THE POSTS AS SHOWN IN THE LEFT PICTURE BELOW. FASTEN WITH 5/16" X 3-1/2" LAG SCREWS AND 5/16" WASHERS.

3: PLACE THE 2 X 6 X 36-3/4" BOTTOM PANEL BOARD (OFFSET DOWN) ON TOP OF THE RIGHT SIDE CORNER POSTS NEAR THE MIDDLE OF THE CORNER POSTS. USE 5/16" X 4-1/2" HEX BOLTS AND 5/16" WASHERS TO ATTACH THE TOP HOLES OF THE BOTTOM PANEL BOARD TO THE CORNER POSTS. THE BOTTOM HOLES WILL BE USED LATER.

4: PLACE THE 2 X 4 X 36-3/4" TOP FRAME BOARD (OFFSET DOWN) ON TOP OF THE RIGHT SIDE CORNER POSTS. USE 5/16" X 4-1/2" HEX BOLTS AND 5/16" WASHERS TO ATTACH THE TOP FRAME BOARD TO THE CORNER POSTS.

5: MAKE A MARK ON THE TOP FRAME BOARD FOR THE TUBE SLIDE AS SHOWN BELOW.



## STEP 3: ASSEMBLING THE LEFT SIDE FRAME

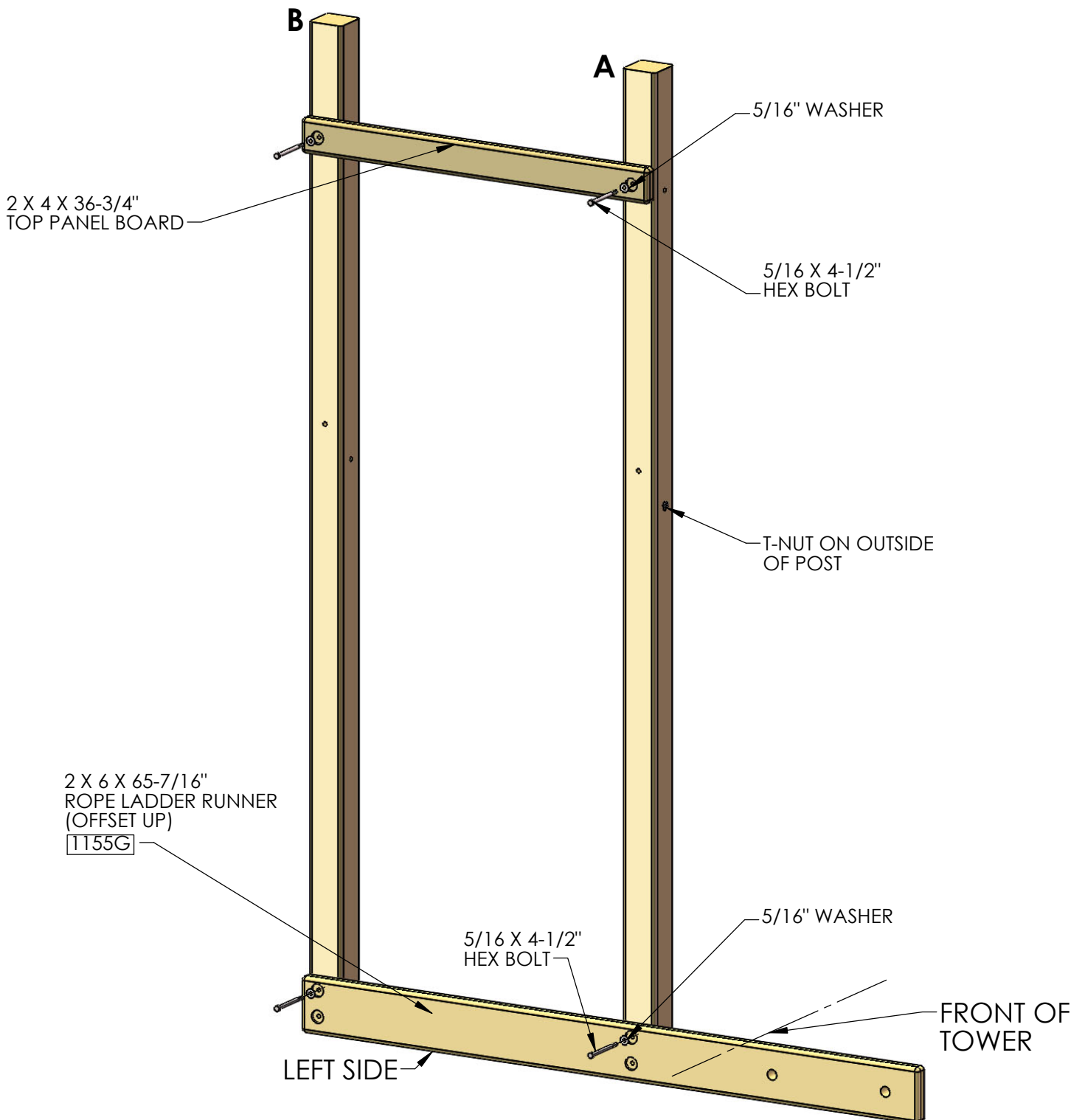
1: LAY THE 2 X 6 X 36-3/4" SANDBOX BOARD (OFFSET UP) ON TOP OF THE LEFT SIDE CORNER POSTS AT THE BOTTOM OF THE CORNER POSTS.

2: USE 5/16 X 4-1/2" HEX BOLTS AND 5/16" WASHERS TO ATTACH THE TOP HOLES OF THE SANDBOX BOARD TO THE T-NUTS INSTALLED ON THE CORNER POSTS. THE BOTTOM HOLES WILL BE USED LATER.

3: LAY THE 2 X 4 X 36-3/4" TOP PANEL BOARD ON TOP OF THE LEFT SIDE CORNER POSTS NEAR THE TOP.

4: USE 5/16 X 4-1/2" HEX BOLTS AND 5/16" WASHERS TO ATTACH THE TOP PANEL BOARD TO THE T-NUTS INSTALLED ON THE CORNER POSTS.

5: DO NOT INSTALL LAG SCREWS AT THIS TIME.

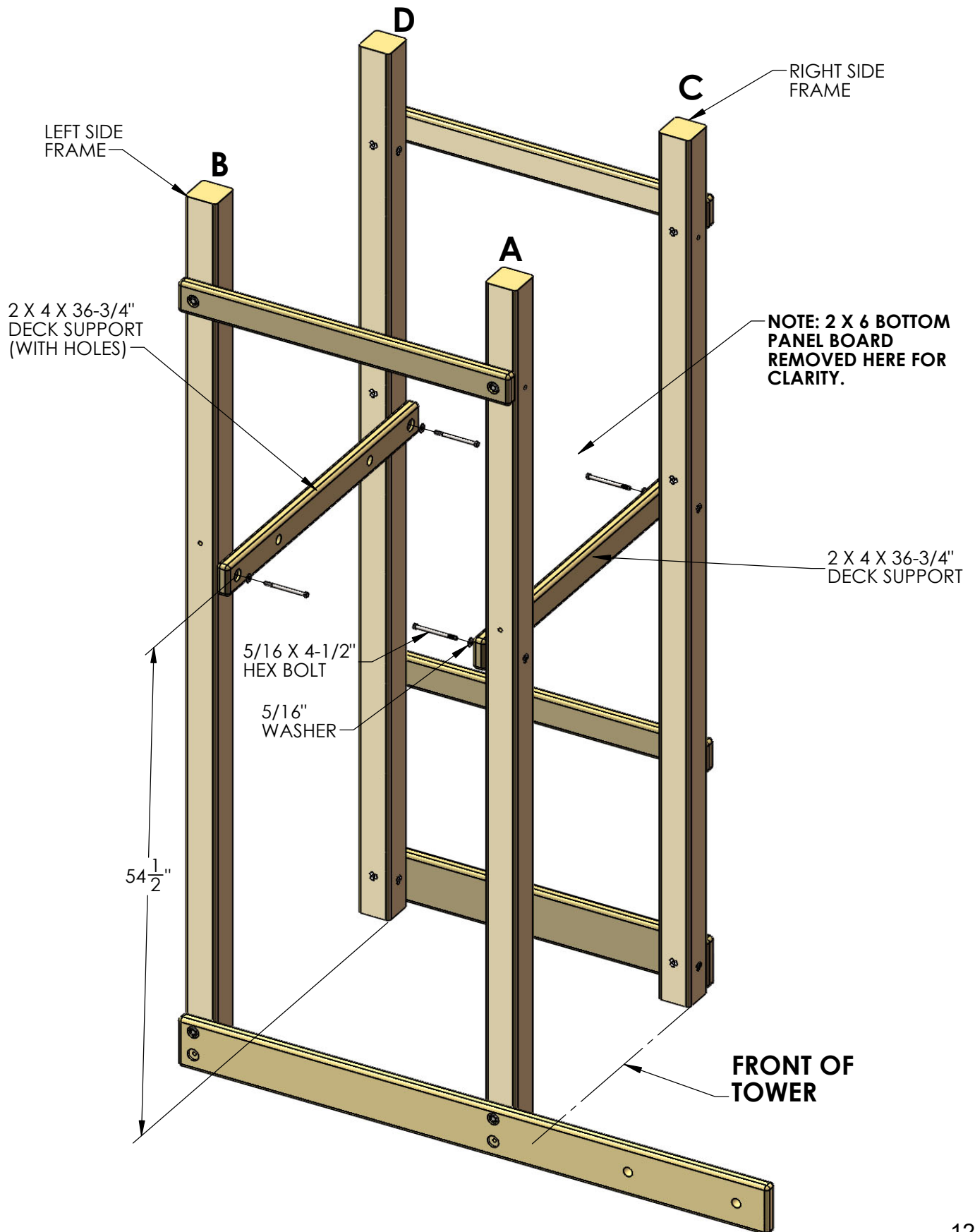


## STEP 4: DECK SUPPORTS

YOU WILL NEED AN EXTRA PERSON FOR THIS STEP.

1: WITH HELP, STAND UP THE LEFT AND RIGHT SIDE ASSEMBLIES.

2: FASTEN THE 2 X 4 X 36-3/4" DECK SUPPORTS TO THE HOLES AT 54-1/2" WITH 5/16 X 4-1/2" HEX BOLTS AND 5/16" WASHERS FROM THE INSIDE OF THE CORNER POST.

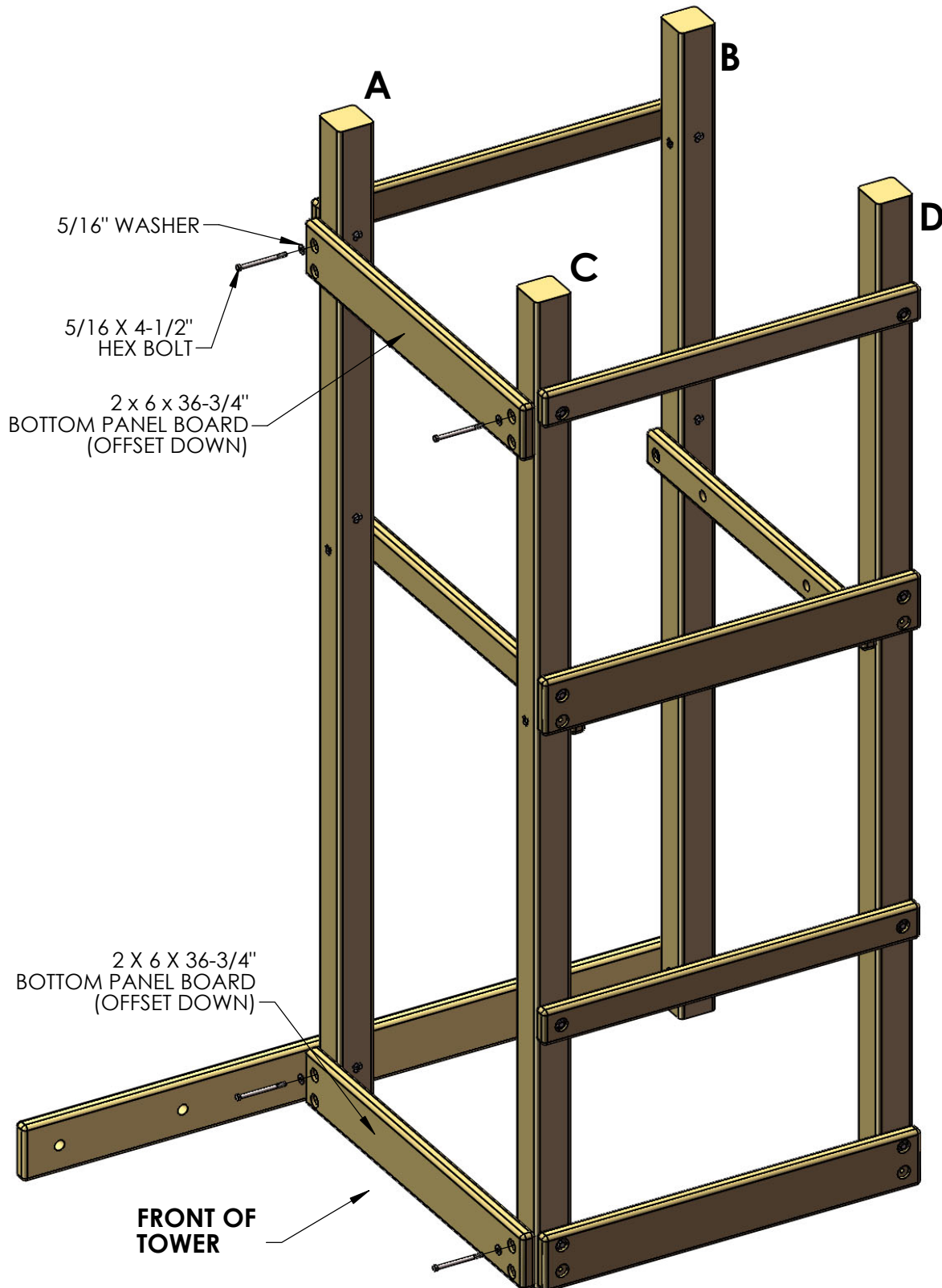


## STEP 5: FRONT FRAME ASSEMBLY

1: PLACE THE 2 X 6 X 36-3/4" BOTTOM PANEL BOARD (OFFSET DOWN) ON THE FRONT OF THE CORNER POSTS. USE 5/16 X 4-1/2" HEX BOLTS AND 5/16" WASHERS TO ATTACH THE TOP HOLES OF THE ROPE LADDER RUNNER TO THE CORNER POSTS. THE BOTTOM HOLES WILL BE USED LATER.

2: PLACE THE 2 X 6 X 36-3/4" BOTTOM PANEL BOARD ON THE CORNER POSTS CLOSE TO THE TOP.

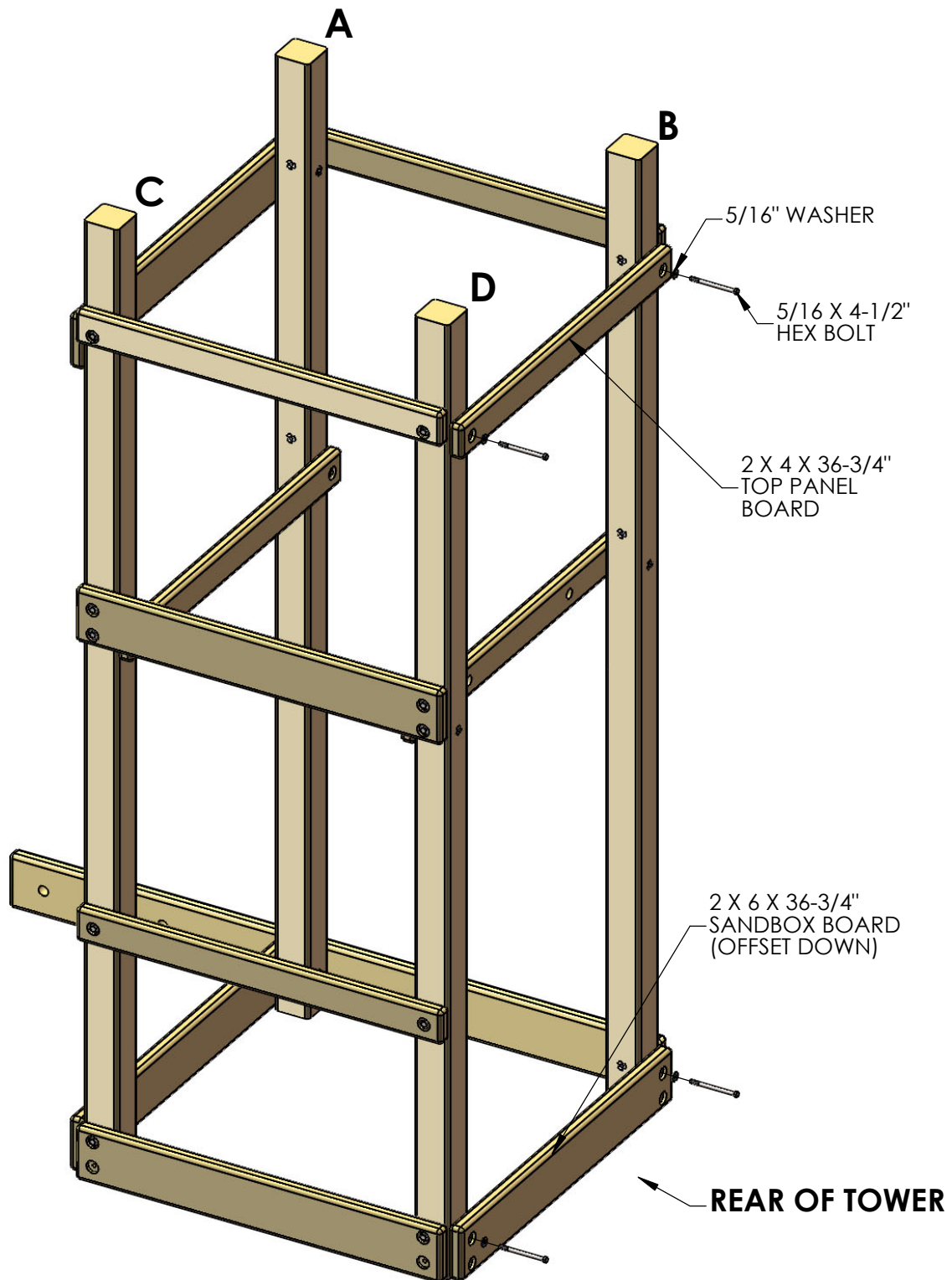
3: USE 5/16 X 4-1/2" HEX BOLTS AND 5/16" WASHERS TO ATTACH THE BOTTOM PANEL BOARD TO THE CORNER POSTS.



## STEP 6: REAR FRAME ASSEMBLY

1: PLACE THE 2 X 6 X 36-3/4" SANDBOX BOARD (OFFSET DOWN) ON THE REAR OF THE TOWER. USE 5/16 X 4-1/2" HEX BOLTS AND 5/16" WASHERS TO ATTACH THE TOP HOLES OF THE SANDBOX BOARD TO THE CORNER POSTS. THE BOTTOM HOLES WILL BE USED LATER.

2: PLACE THE 2 X 4 X 36-3/4" TOP PANEL BOARD ON THE REAR OF THE TOWER. USE 5/16 X 4-1/2" HEX BOLTS AND 5/16" WASHERS TO ATTACH THE HOLES OF THE TOP PANEL BOARD TO THE CORNER POSTS.



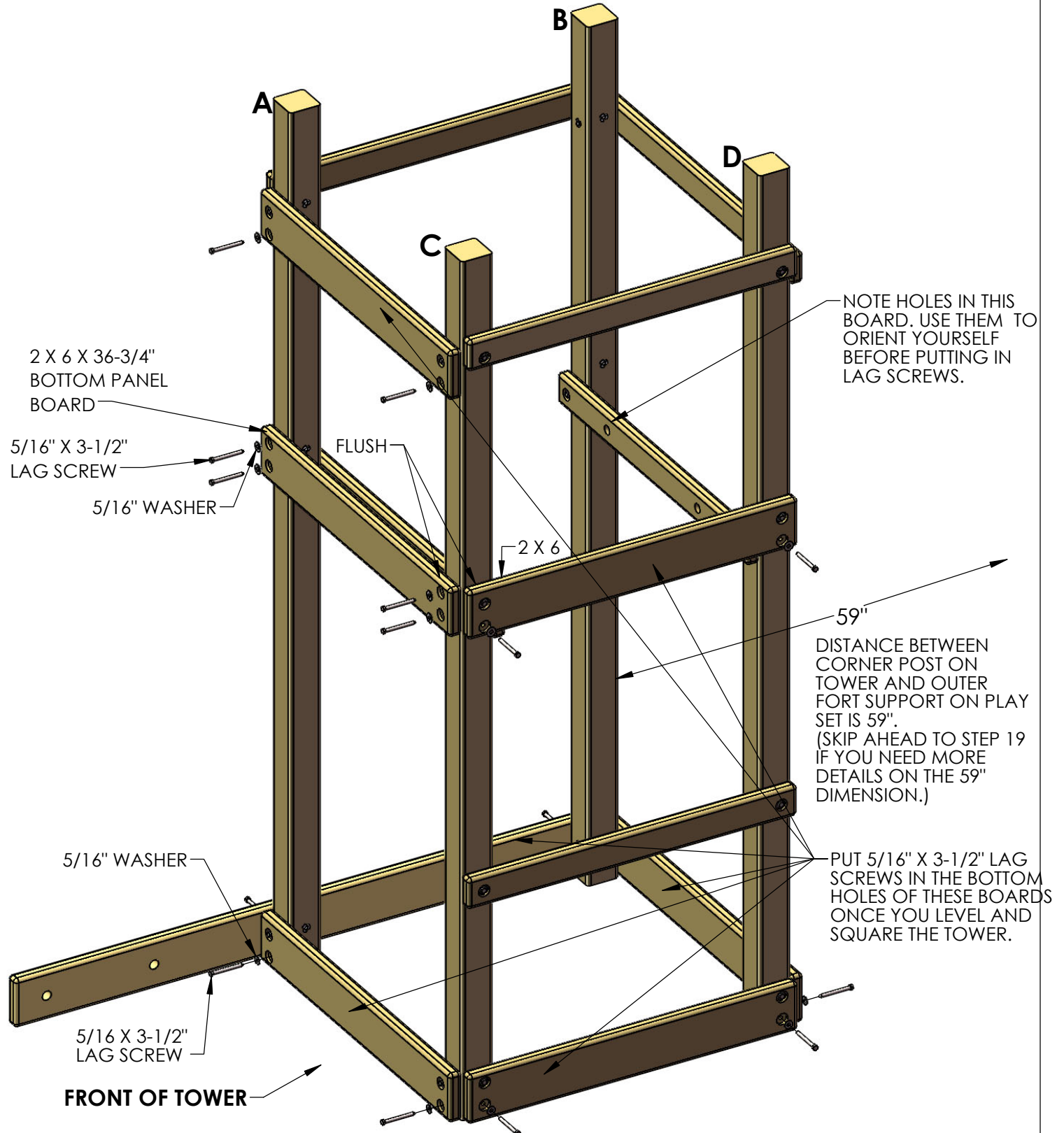


## STEP 7: LAG SCREWS

1: PLACE THE FRAME IN ITS FINAL POSITION AND FOLLOW THE PROCEDURES AT THE FRONT OF THE MANUAL TO LEVEL AND SQUARE THE STRUCTURE.

2: ONCE THE FRAME IS LEVEL, SQUARE, AND SET INTO POSITION; GO BACK AND INSERT THE 5/16" X 3-1/2" LAG SCREWS AND 5/16" WASHERS IN THE REMAINING HOLES OF THE 2 X 6 PARTS SHOWN BELOW. NOTE: THERE WILL NOT BE ANY PREDRILLED HOLES IN THE CORNER POSTS FOR THE LAG SCREWS.

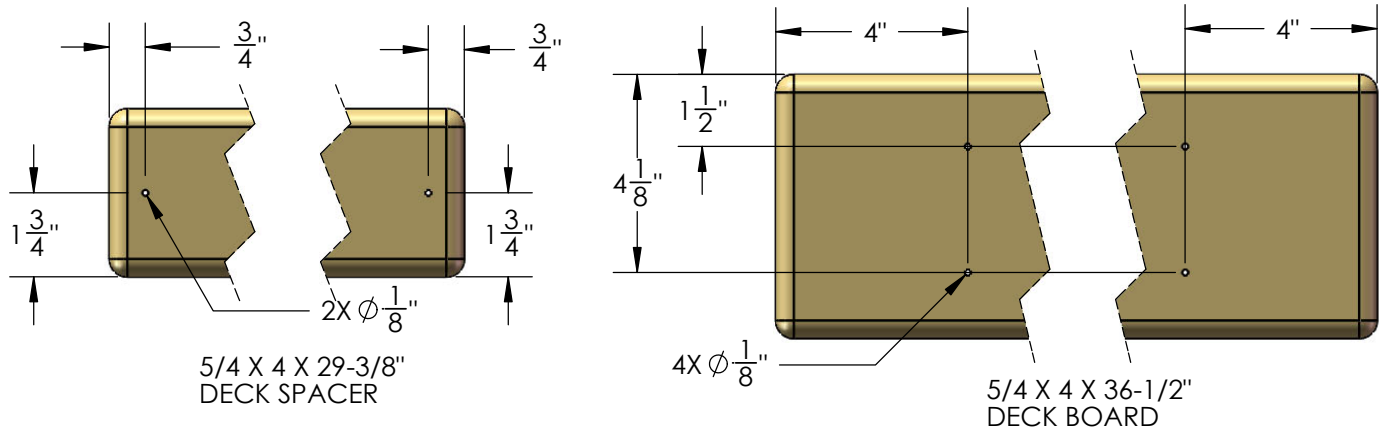
3: INSTALL THE 2 X 6 X 36-3/4" BOTTOM PANEL BOARD FLUSH TO TOP OF THE 2 X 6 BESIDE IT. LEVEL AND FASTEN IT TO THE CORNER POSTS WITH LAG SCREWS AND WASHERS.



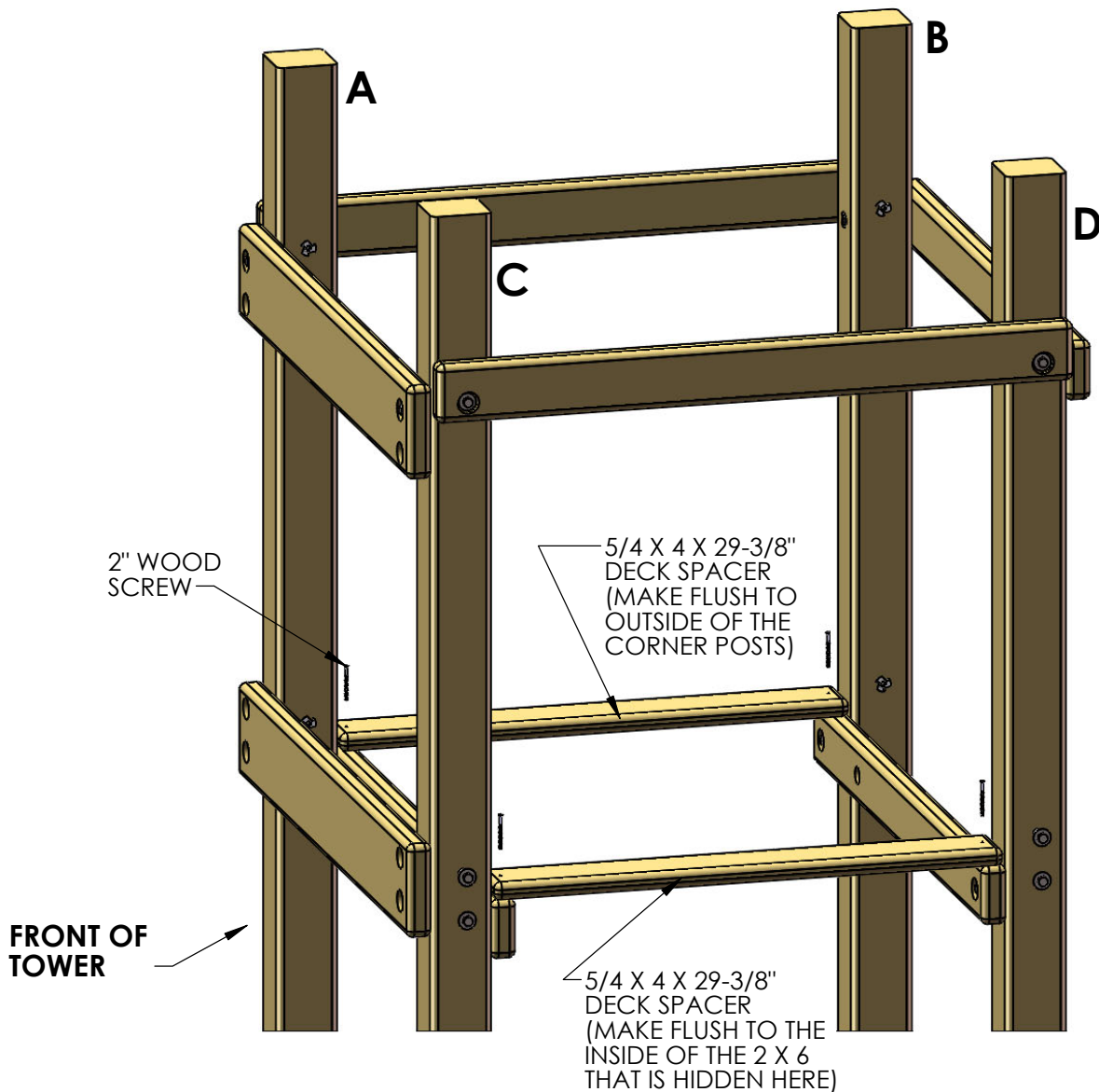
## STEP 8: DECK BOARDS

THE FOLLOWING STEP IS RECOMMENDED TO PREVENT POSSIBLE SPLITS IN THE WOOD

1: IF YOUR DECK SPACERS AND DECK BOARDS ARE NOT ALREADY PRE-DRILLED THEN PRE-DRILL THEM TO PREVENT INSTALLATION DAMAGE. PRE-DRILL BOTH ENDS WITH A 1/8" DRILL BIT USING THE DIMENSIONS SHOWN BELOW.



2: PLACE THE 5/4 X 4 X 29-3/8" DECK SPACERS BETWEEN THE CORNER POSTS. MAKE EACH DECK SPACER FLUSH TO THE INSIDE SURFACE OF THE 2 X 6 OR THE OUTSIDE SURFACE OF THE CORNER POSTS. ATTACH EACH DECK SPACER TO THE DECK SUPPORTS WITH TWO 2" WOOD SCREWS. NOTE THE TOP OF THE SCREW HEAD SHOULD BE FLUSH WITH THE TOP OF THE DECK SPACER.

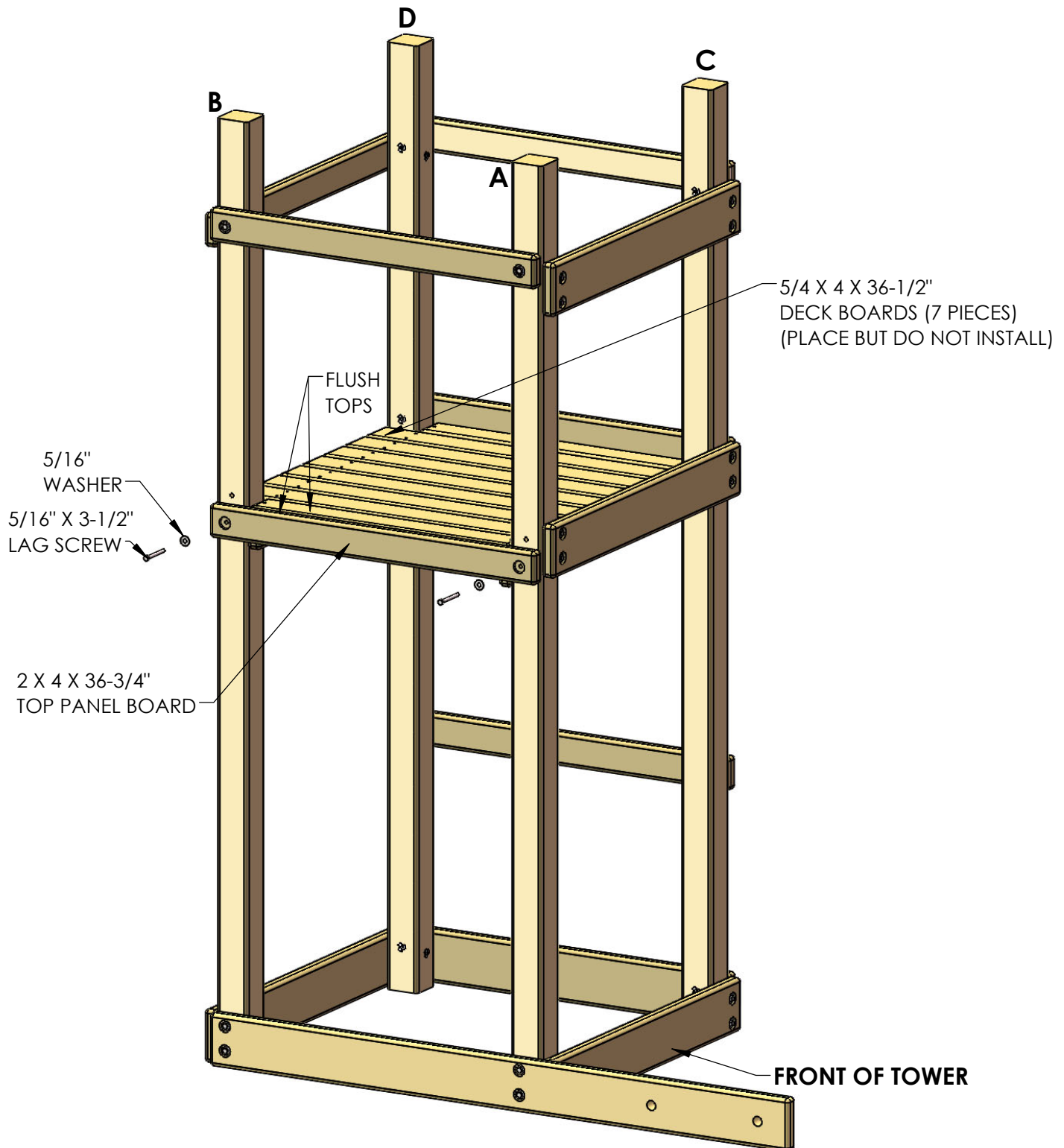


## STEP 9: TOP PANEL BOARD

1: PLACE THE 5/4 X 4 X 36-1/2" DECK BOARDS ON TOP OF THE DECK SUPPORTS. DO NOT FASTEN THE DECK BOARDS AT THIS TIME.

2: PLACE THE 2 X 4 X 36-3/4" TOP PANEL BOARD AGAINST THE CORNER POSTS. THE TOP OF IT SHOULD BE FLUSH TO THE TOP OF THE DECK SPACER.

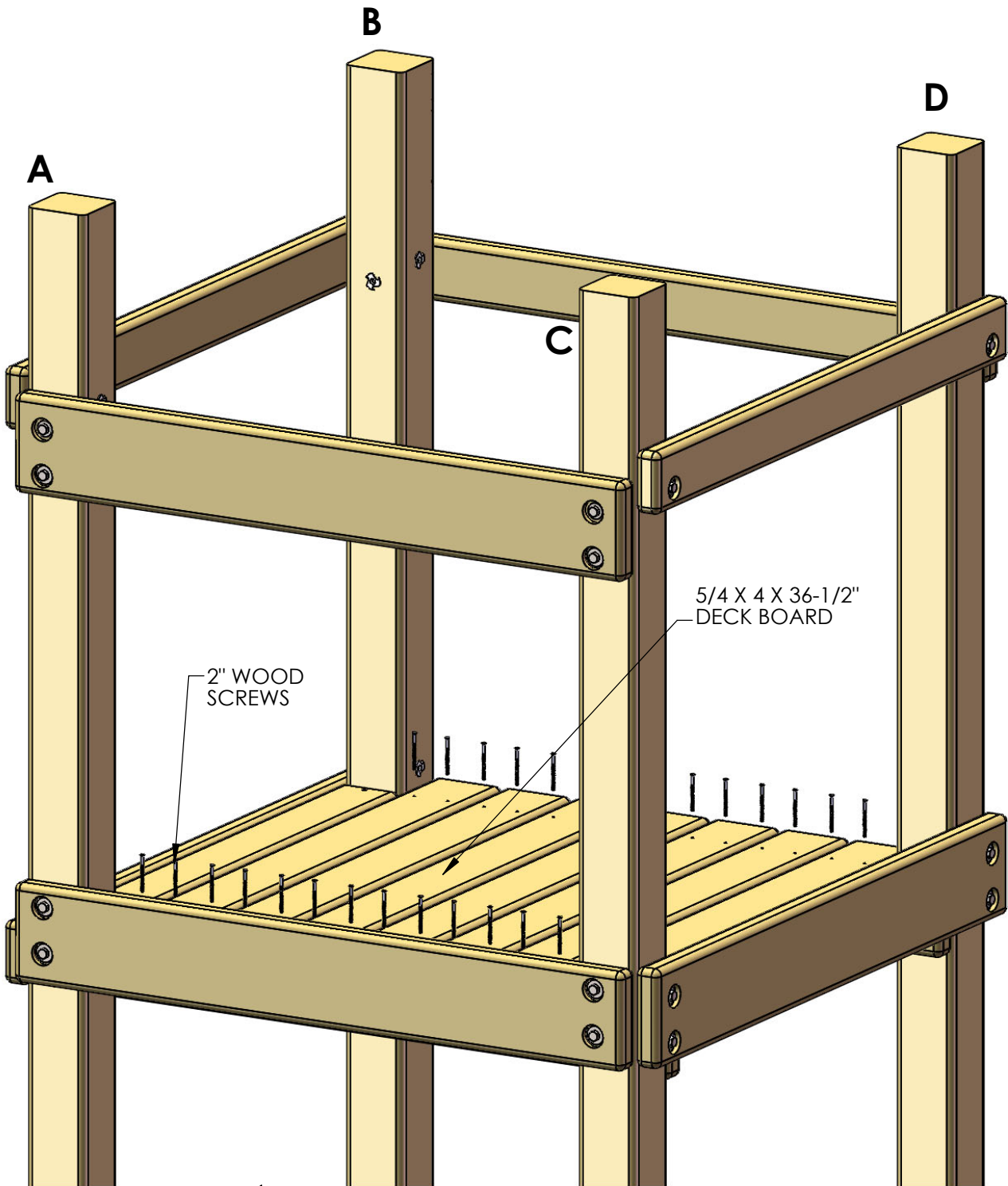
3: FASTEN THE TOP PANEL BOARD TO THE CORNER POSTS WITH 5/16" X 3-1/2" LAG SCREWS WITH 5/16" WASHERS.



## STEP 10: DECK

1: INSTALL THE 5/4 X 4 X 36-1/2" DECK BOARDS. LEAVE A UNIFORM (APPROXIMATELY 1/4") SPACE BETWEEN THE DECK BOARDS. ATTACH THE DECK BOARDS TO THE DECK SUPPORTS WITH 2" WOOD SCREWS.

2: MAKE SURE THE ENDS OF THE DECK BOARDS DO NOT PROTRUDE BEYOND THE OUTSIDE OF CORNER POSTS B AND D.

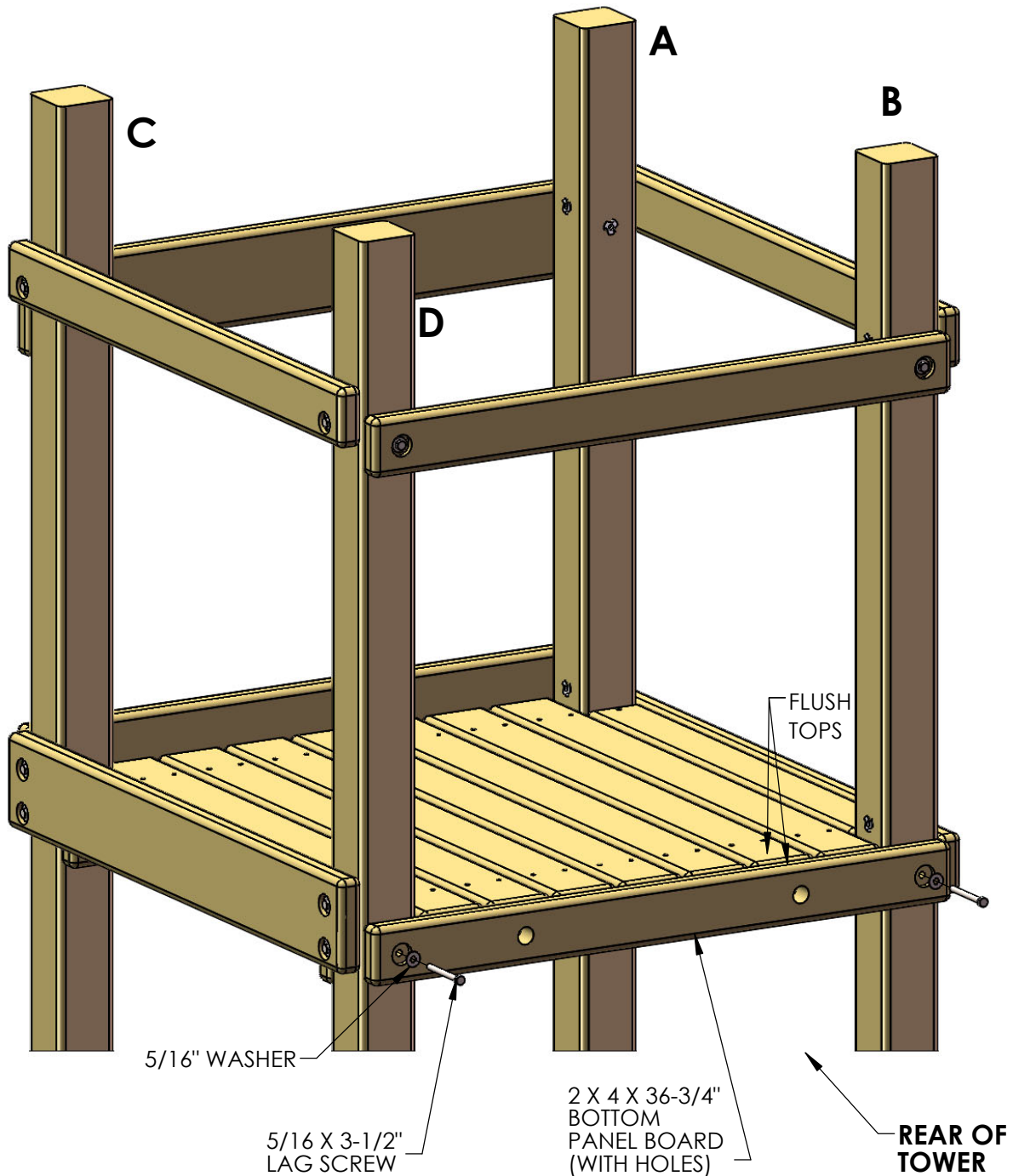


FRONT OF TOWER

## STEP 11: REAR BOTTOM PANEL BOARD

1: PLACE THE 2 X 4 X 36-3/4" BOTTOM PANEL BOARD (WITH HOLES) AGAINST THE TOWER REAR CORNER POSTS, AND LEVEL THE TOP OF THE BOARD WITH THE TOP OF THE DECK BOARDS.

2: FASTEN THE BOTTOM PANEL BOARD TO THE CORNER POSTS WITH 5/16 X 3-1/2" LAG SCREWS WITH 5/16" WASHERS.



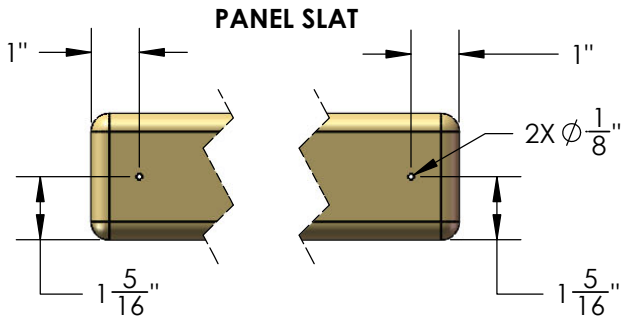


## STEP 12: PANEL SLATS

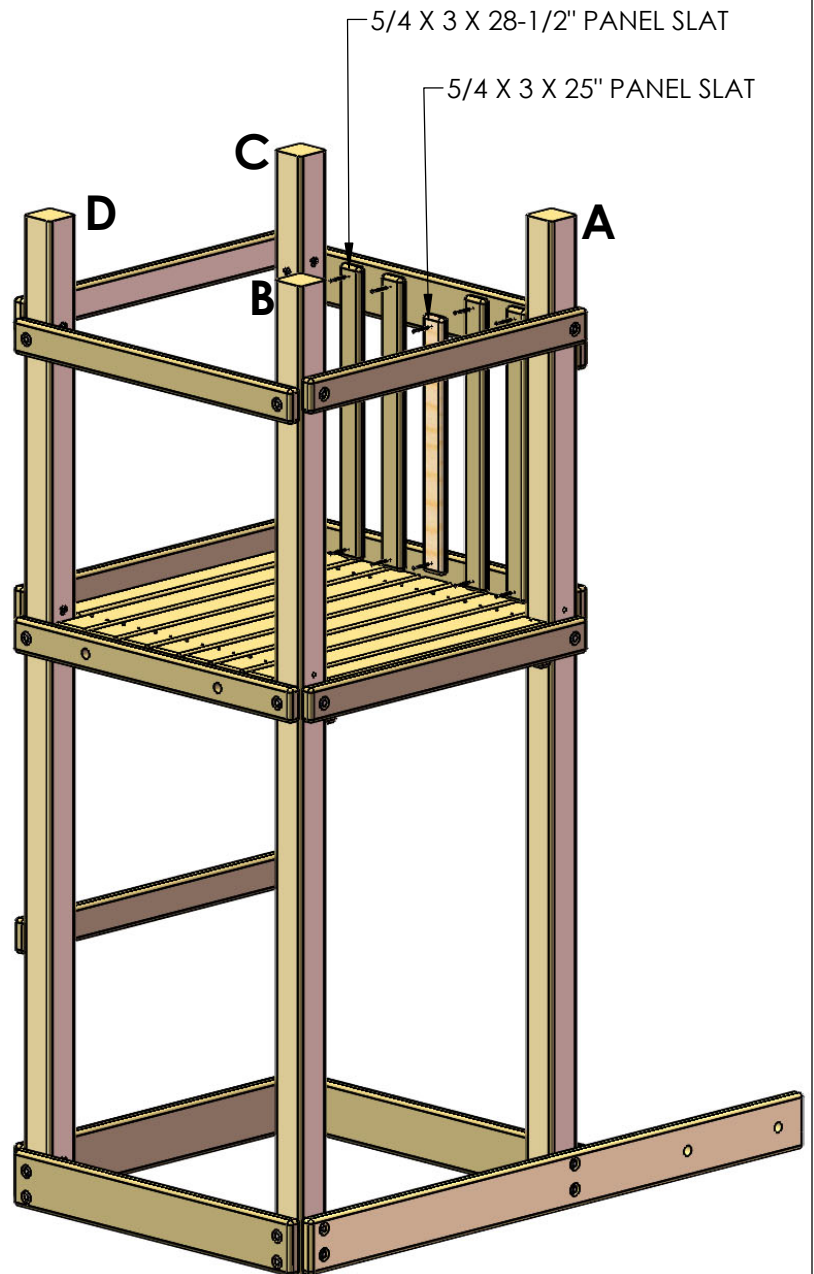
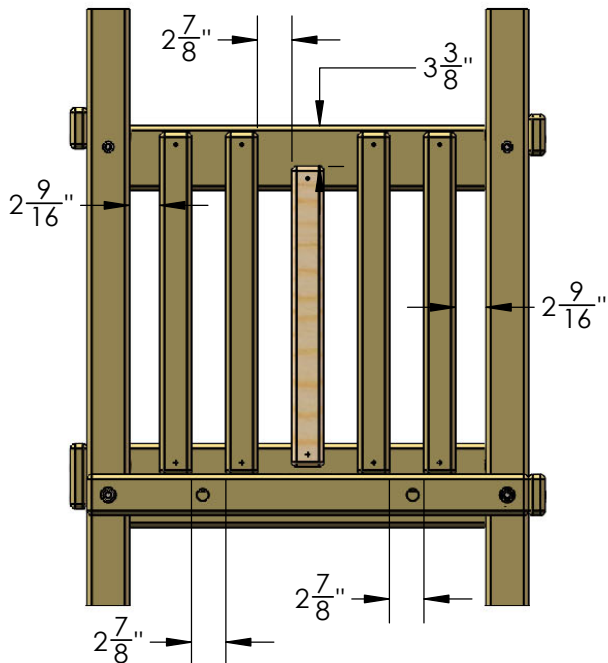
1: FIND FOUR 5/4 X 3 X 28-1/2" PANEL SLATS AND ONE 5/4 X 3 X 25" PANEL SLAT

2: IF THE SLATS ARE NOT ALREADY PRE-DRILLED THEN PRE-DRILL THE PANEL SLATS 1" FROM EACH END ON CENTER WITH A 1/8" DRILL BIT. (SEE TOP LEFT PICTURE BELOW)

3: ON THE FRONT SIDE OF THE TOWER INSTALL THE 25" LONG PANEL SLAT CENTERED AND DOWN 3-3/8" AS SHOWN. THEN INSTALL THE REMAINING FOUR PANEL SLATS 2-7/8" APART AS SHOWN IN THE PICTURE AT THE MIDDLE LEFT BELOW. ATTACH THE PANEL SLATS WITH 2" WOOD SCREWS.



**FRONT SIDE SLATS  
INSIDE VIEW**





## STEP 13: 18" ANGLE SUPPORTS

- 1: FASTEN EACH 2 X 4 X 18" ANGLE SUPPORT ON THE INSIDE OF THE DECK SUPPORTS.
- 2: USE A #8 X 2" AND A #8 X 3" WOOD SCREW TO SECURE THE BOTTOM OF THE ANGLE SUPPORT TO THE CORNER POST.
- 3: USE TWO #8 X 2-1/2" WOOD SCREWS TO SECURE THE TOP OF THE ANGLE SUPPORT TO THE DECK SUPPORT.

**AVOID COVERING HOLES WITH ANGLE SUPPORTS.**

**DO NOT COVER HOLE WITH ANGLE SUPPORT**

#8 X 2-1/2" WOOD SCREWS

2 X 4 X 18" ANGLE SUPPORT

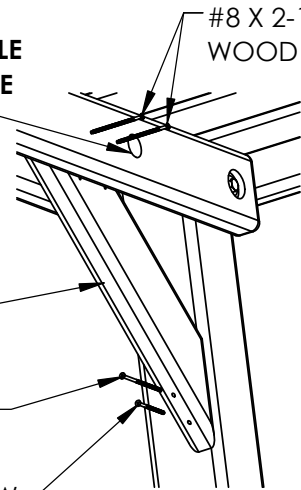
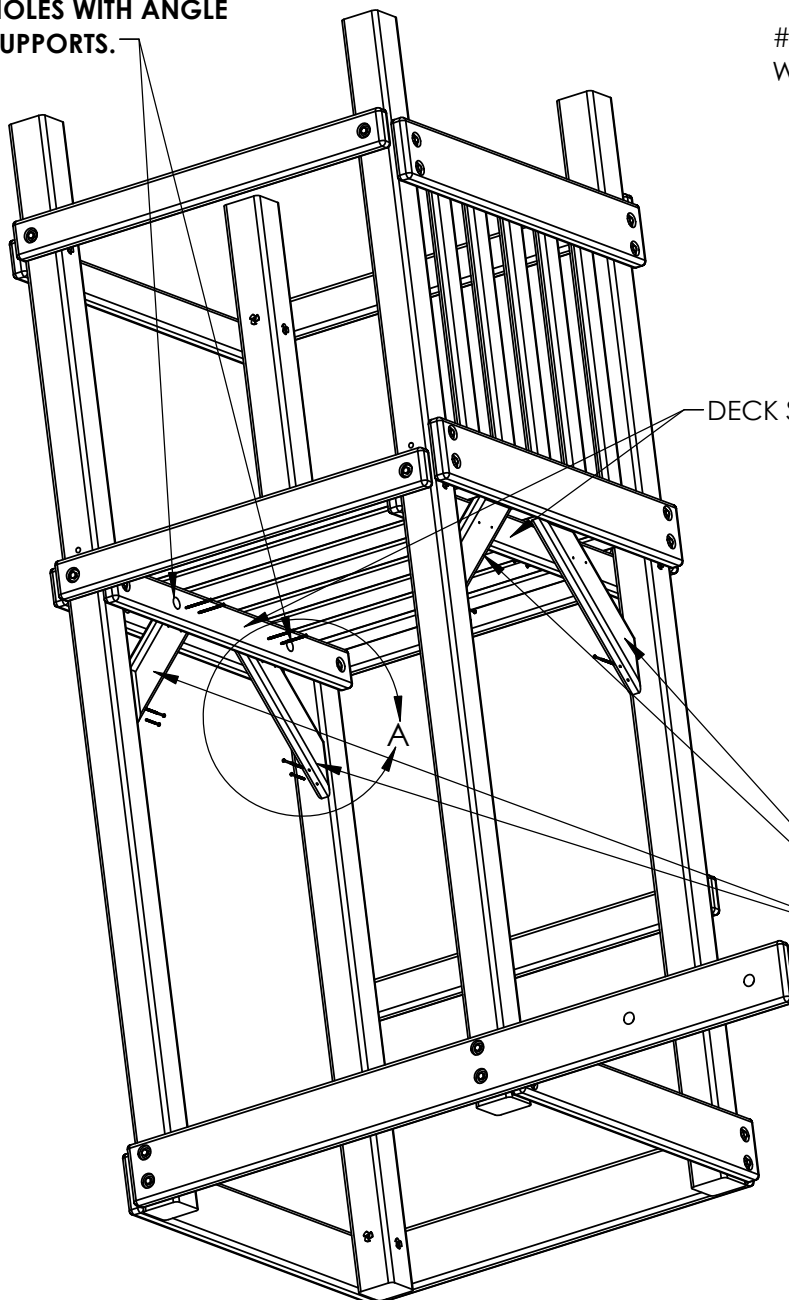
#8 X 3" WOOD SCREW

#8 X 2" WOOD SCREW

DETAIL A  
SCALE 1 : 8

DECK SUPPORTS

2 X 4 X 18" ANGLE SUPPORTS

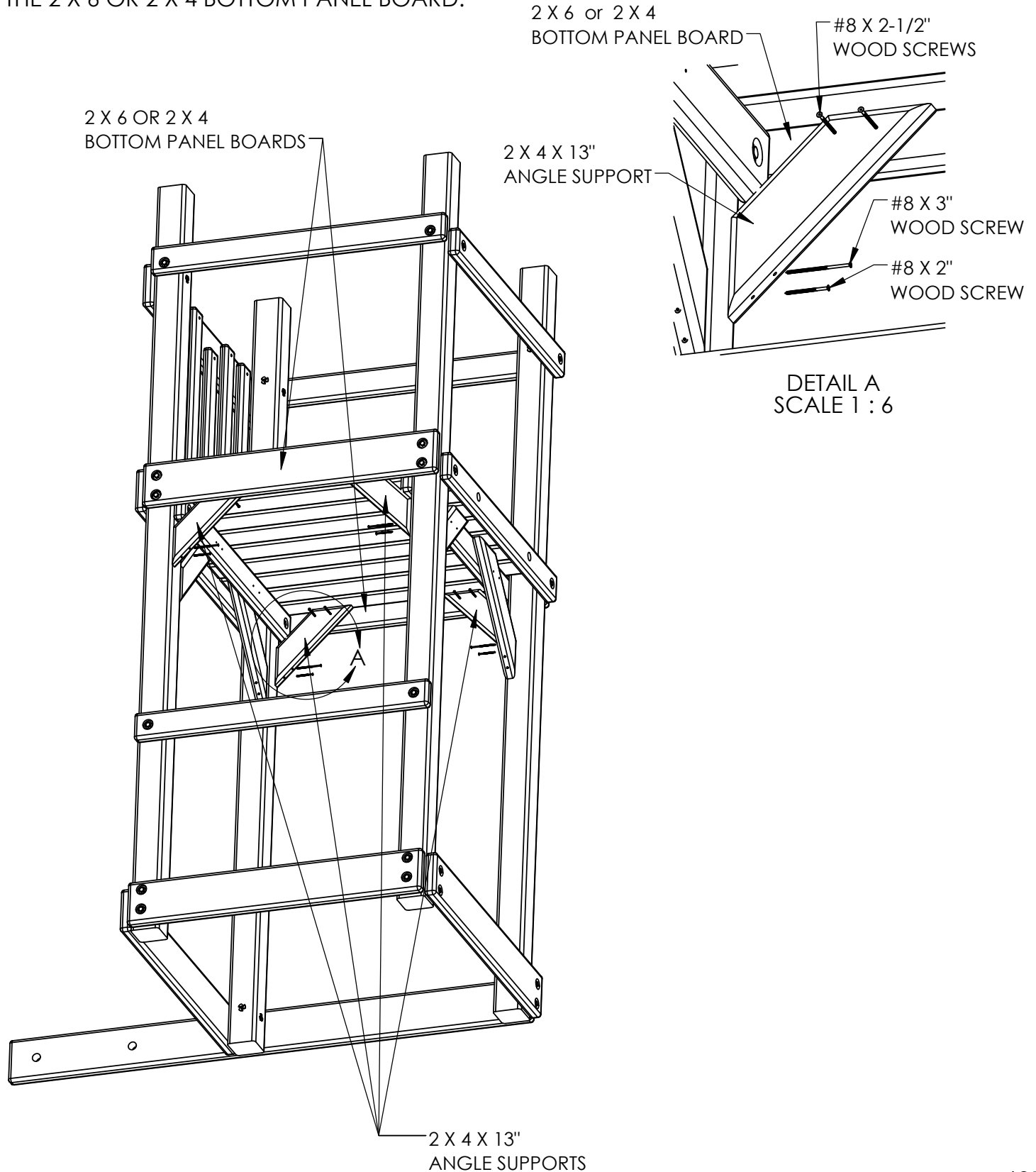


# STEP 13A: 13" ANGLE SUPPORTS

1: FASTEN EACH 2 X 4 X 13" ANGLE SUPPORT ON THE INSIDE OF THE 2 X 6 OR 2 X 4 BOTTOM PANEL BOARDS.

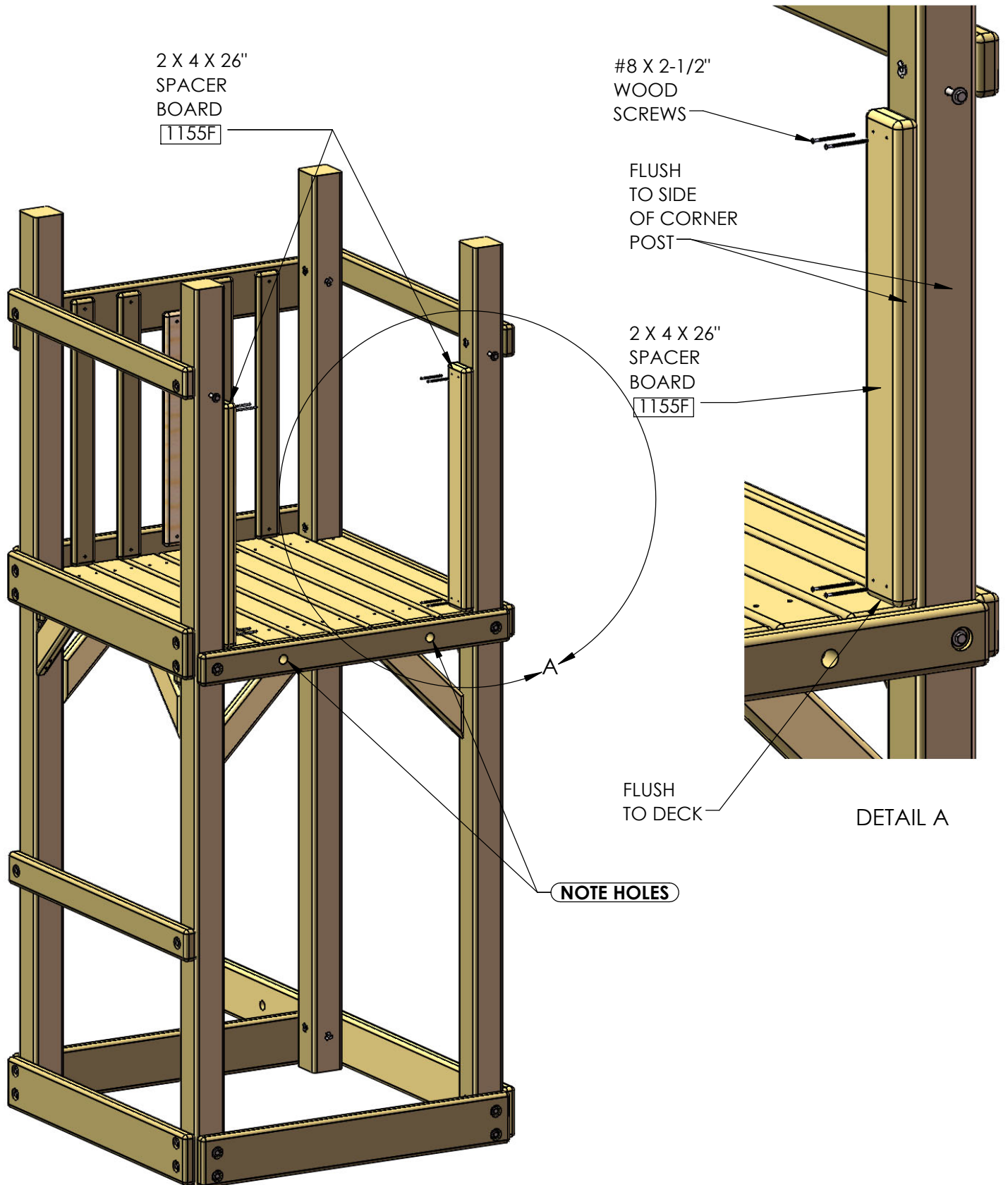
2: USE A #8 X 2" AND A #8 X 3" WOOD SCREW TO SECURE THE BOTTOM OF THE ANGLE SUPPORT TO THE CORNER POST.

3: USE TWO #8 X 2-1/2" WOOD SCREWS TO SECURE THE TOP OF THE ANGLE SUPPORT TO THE 2 X 6 OR 2 X 4 BOTTOM PANEL BOARD.



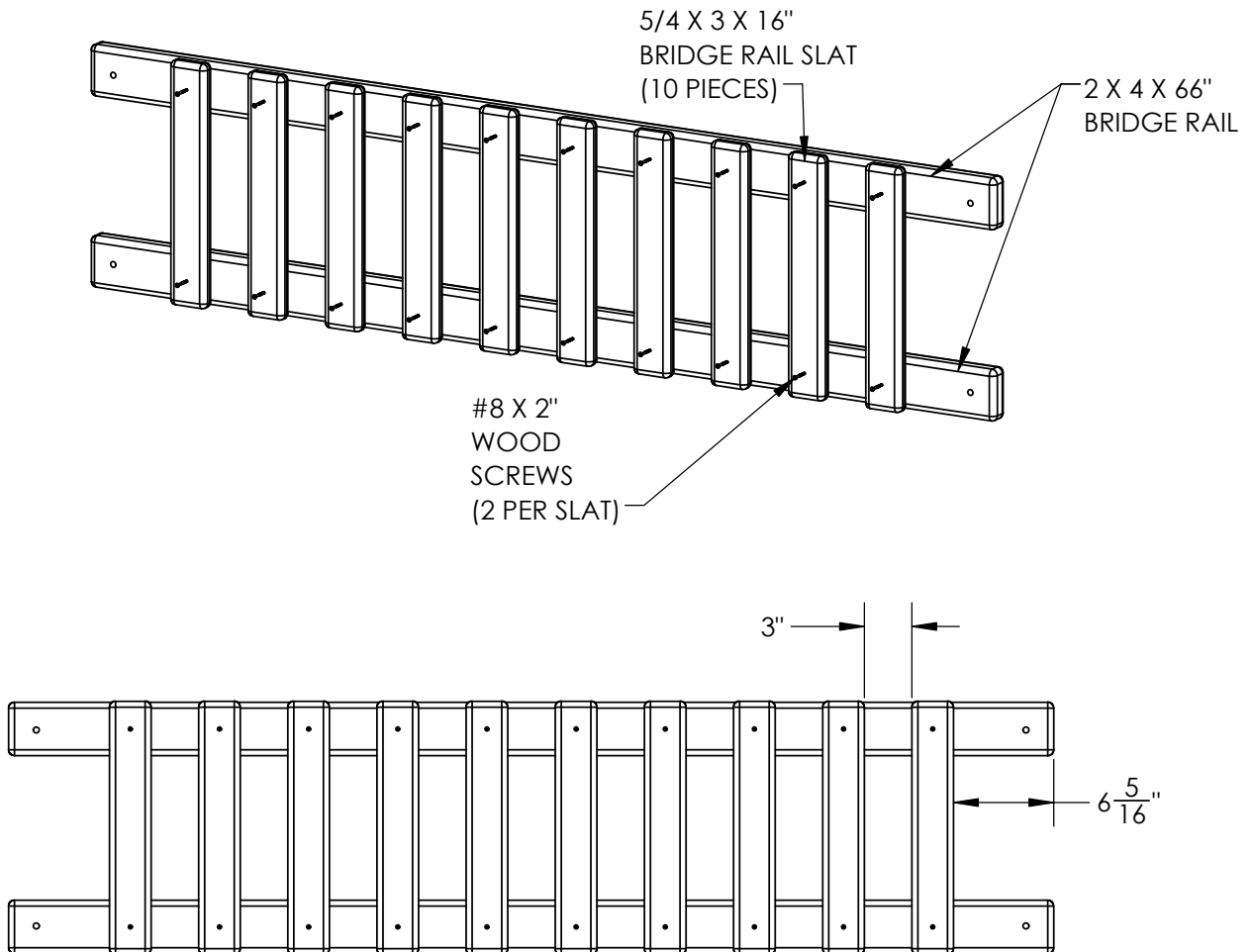
# STEP 14: SPACER BOARDS

- 1: PLACE THE 2 X 4 X 26" SPACER BOARDS ON THE INSIDE OF THE CORNER POSTS SHOWN.
- 2: FASTEN WITH FOUR #8 X 2-1/2" WOOD SCREWS.



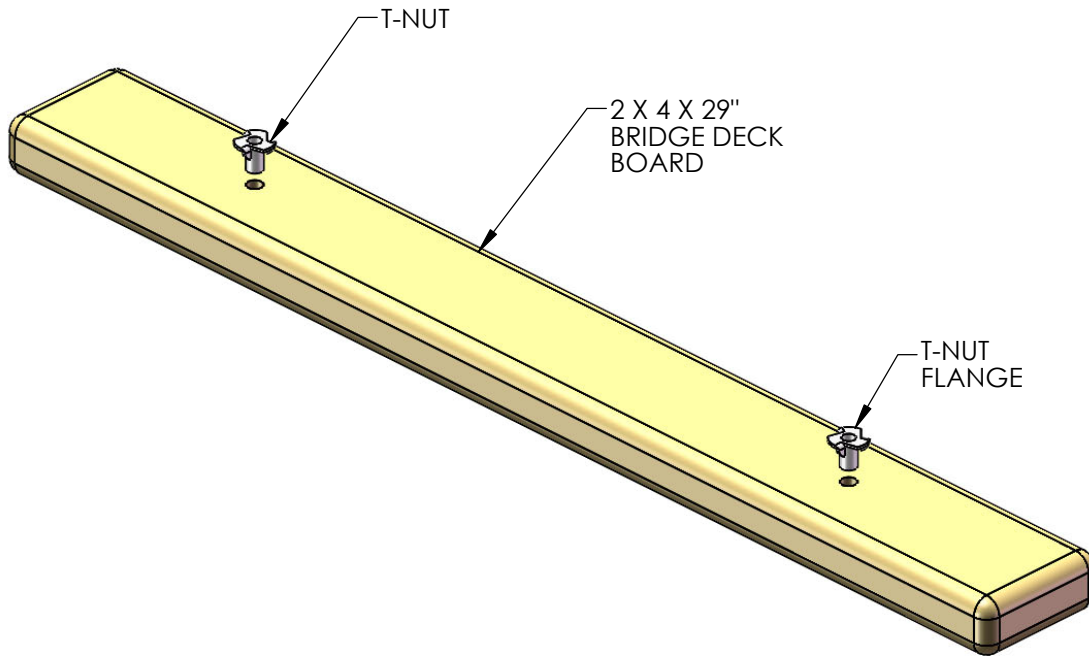
## STEP 15: BRIDGE RAILING

- 1: LAY TWO 2 X 4 X 66" BRIDGE RAILS ON A FLAT SURFACE WITH THE COUNTERBORE SIDE FACING THE FLAT SURFACE.
- 2: PLACE THE 5/4 X 3 X 16" BRIDGE RAIL SLATS ON TOP OF THE RAILS.
- 3: SPACE THE SLATS 3" FROM ONE ANOTHER AS SHOWN. IT IS CRITICAL THAT YOU SPACE THESE EVENLY BECAUSE YOU ARE GOING TO "RACK" THIS ASSEMBLY AFTER YOU BUILD IT.
- 4: SECURE EACH SLAT TO THE RAILS WITH TWO #8 X 2" WOOD SCREWS.
- 5: REPEAT SUBSTEPS 1-4 TO MAKE ANOTHER BRIDGE RAILING ASSEMBLY.

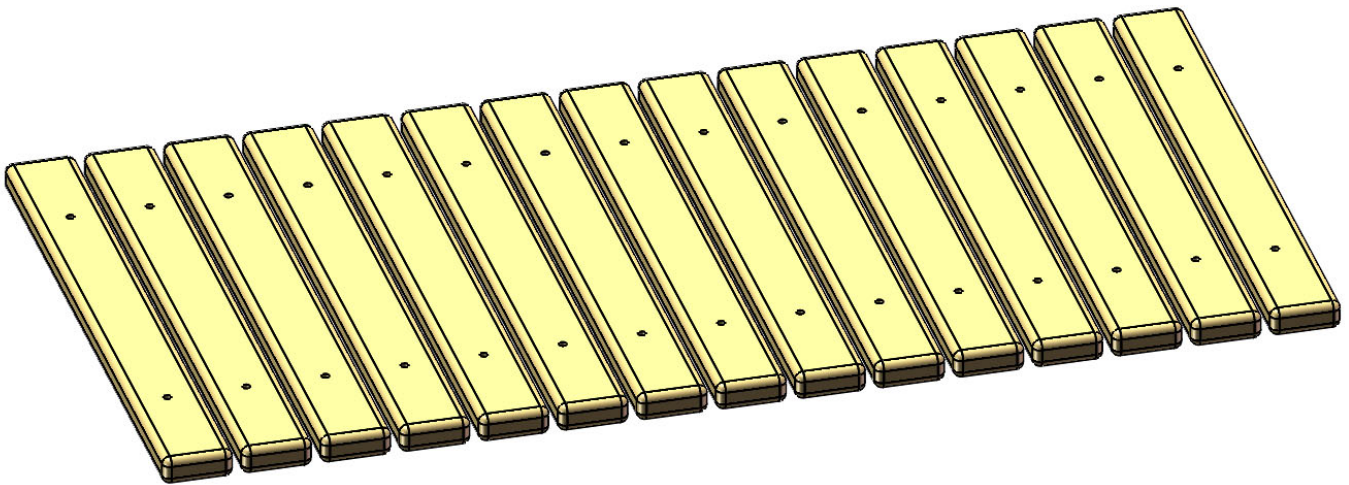


## STEP 16: BRIDGE DECK AND CHAIN ASSEMBLY

1: FIND FIFTEEN 2 X 4 X 29" BRIDGE DECK BOARDS AND INSERT T-NUTS INTO THE PRE-DRILLED HOLES. USE A HAMMER TO SEAT THE T-NUTS INTO THE BOARDS.

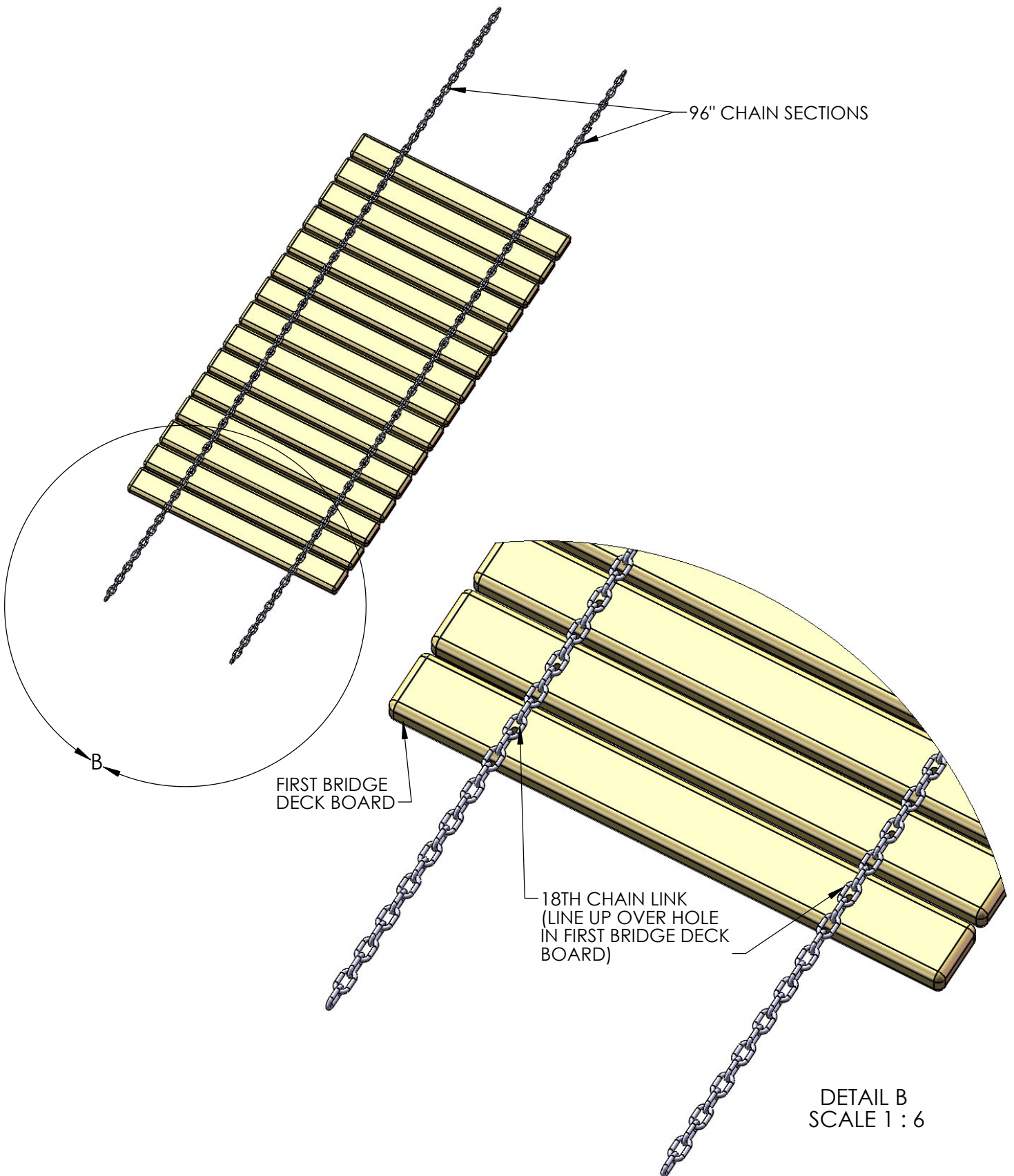


2: FLIP ALL 15 BRIDGE DECK BOARDS OVER SO THAT THE FLANGE OF THE T-NUT IS FACING DOWN. LAY THE BRIDGE DECK BOARDS OUT ON A FLAT SURFACE AS SHOWN BELOW.



# STEP 17: BRIDGE DECK AND CHAIN ASSEMBLY

- 1: LOCATE TWO 96" CHAIN SECTIONS THAT SHIPPED WITH THE CLATTER BRIDGE.
- 2: PLACE THE CHAINS OVER THE HOLES IN THE BRIDGE DECK BOARDS AS SHOWN BELOW.
- 3: LINE UP THE 18TH LINK IN THE CHAINS WITH THE FIRST BRIDGE DECK BOARD HOLES.





# STEP 18: BRIDGE DECK AND CHAIN ASSEMBLY

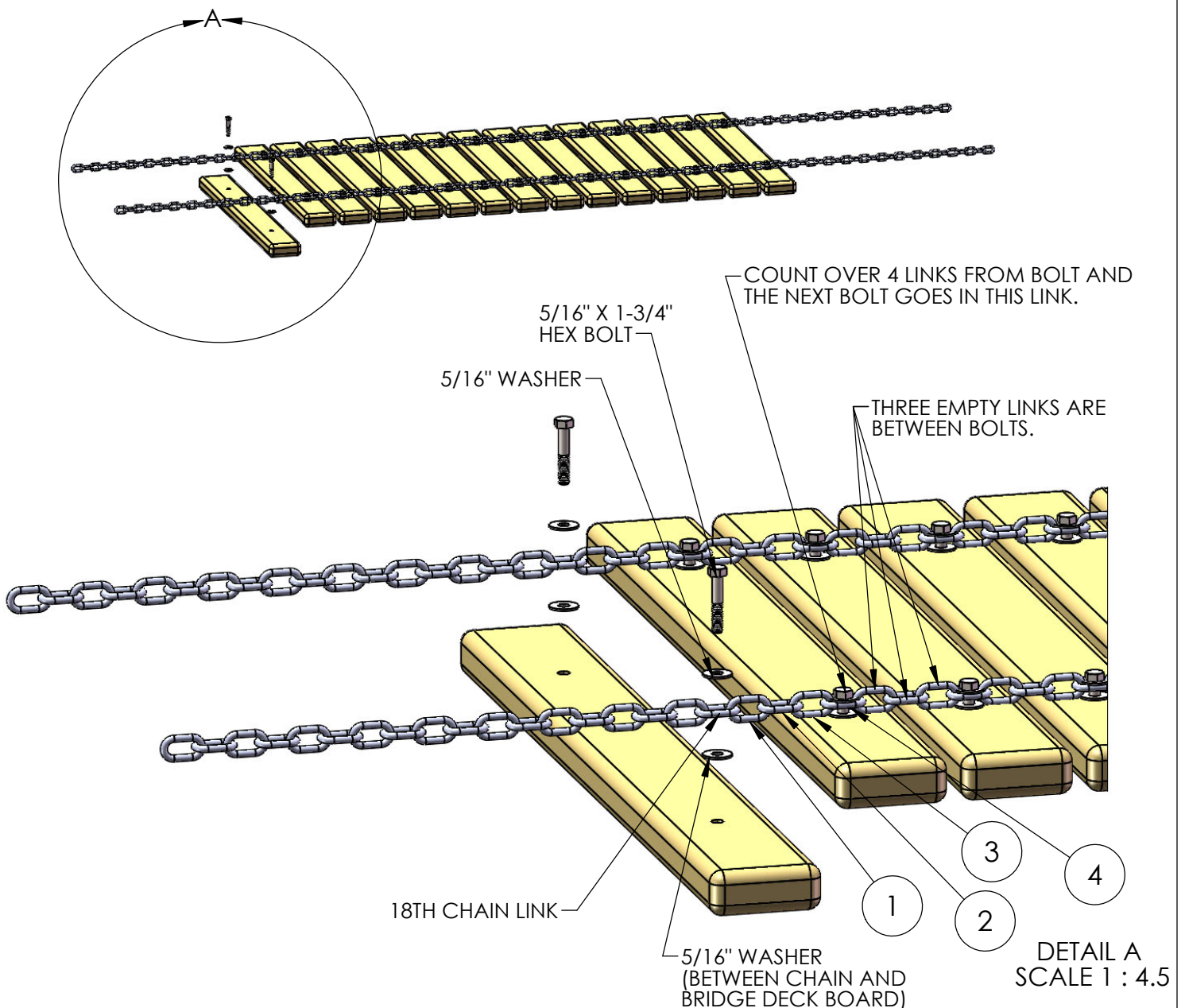
1: PLACE A 5/16" WASHER BETWEEN THE 18TH CHAIN LINK AND THE BRIDGE DECK BOARD.

2: PLACE A 5/16" X 1-3/4" HEX BOLT WITH 5/16" WASHER THROUGH THE 18TH CHAIN LINK, THEN THROUGH THE 5/16" WASHER, THEN THROUGH THE HOLE IN THE BRIDGE DECK BOARD AND SCREW IT INTO THE T-NUT. TIGHTEN THE BOLT BUT NOT SO TIGHT THAT YOU CRACK THE WOOD.

3: COUNT OVER 4 CHAIN LINKS FROM THE LAST HEX BOLT. AT THIS CHAIN LINK PLACE A 5/16" WASHER BETWEEN THE CHAIN LINK AND THE BRIDGE DECK BOARD. NOTE THAT THREE EMPTY CHAIN LINKS ARE BETWEEN THE BOLTS.

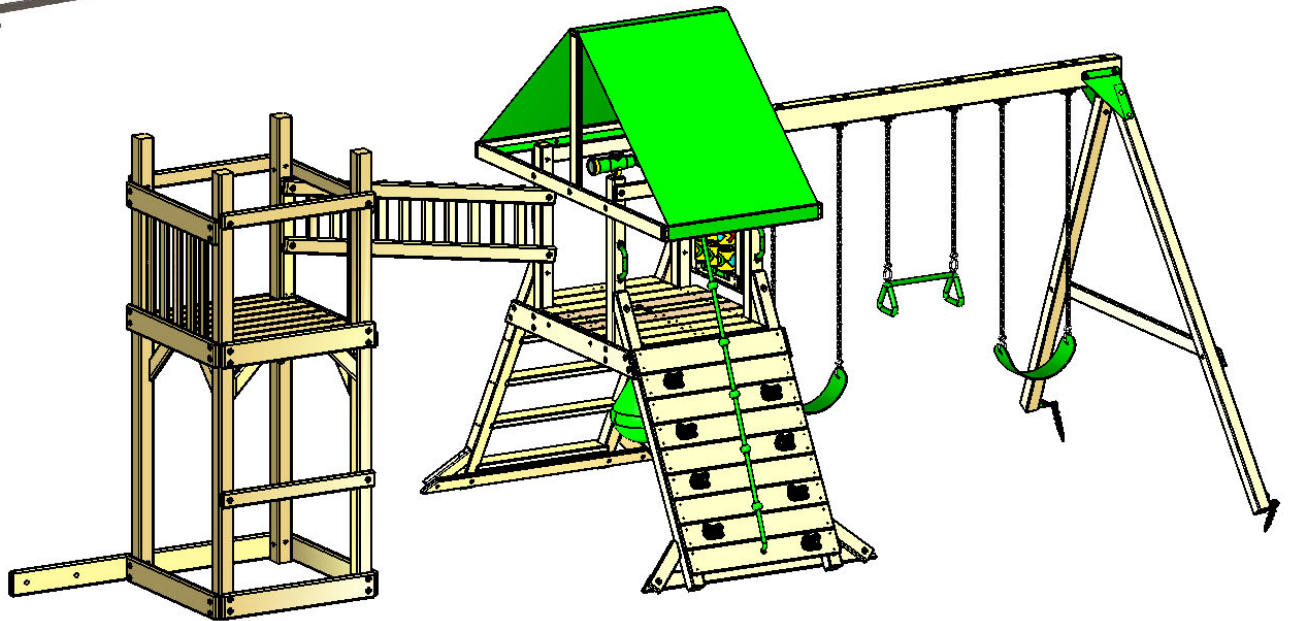
4: PLACE A 5/16" X 1-3/4" HEX BOLT WITH 5/16" WASHER THROUGH THE CHAIN LINK, THEN THROUGH THE 5/16" WASHER, THEN THROUGH THE HOLE IN THE BRIDGE DECK BOARD AND SCREW IT INTO THE T-NUT. TIGHTEN THE BOLT BUT NOT SO TIGHT THAT YOU CRACK THE WOOD.

5: REPEAT SUBSTEPS 3 & 4 UNTIL YOU HAVE SECURED THE CHAIN TO THE BRIDGE DECK BOARDS ALONG ONE SIDE. THEN START OVER WITH THE OTHER CHAIN AND REPEAT THIS ENTIRE PROCESS.

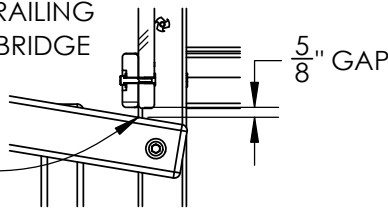


# STEP 19: BRIDGE RAILINGS

1: IN THIS STEP YOU WILL HAVE TO "RACK" THE BRIDGE RAIL ASSEMBLIES PRIOR TO INSTALLATION. TEMPORARILY CONNECT THEM TO THE PLAYSET AND THE TOWER WITH QUICK GRIP CLAMPS SIMILAR TO THE ONE SHOWN BELOW. YOU WILL NEED 2 CLAMPS.



MAKE A MARK  $\frac{5}{8}$ " DOWN FROM THE SET RAILING ONTO THE CORNER POST. ALIGN TOP OF BRIDGE RAIL WITH THIS MARK.

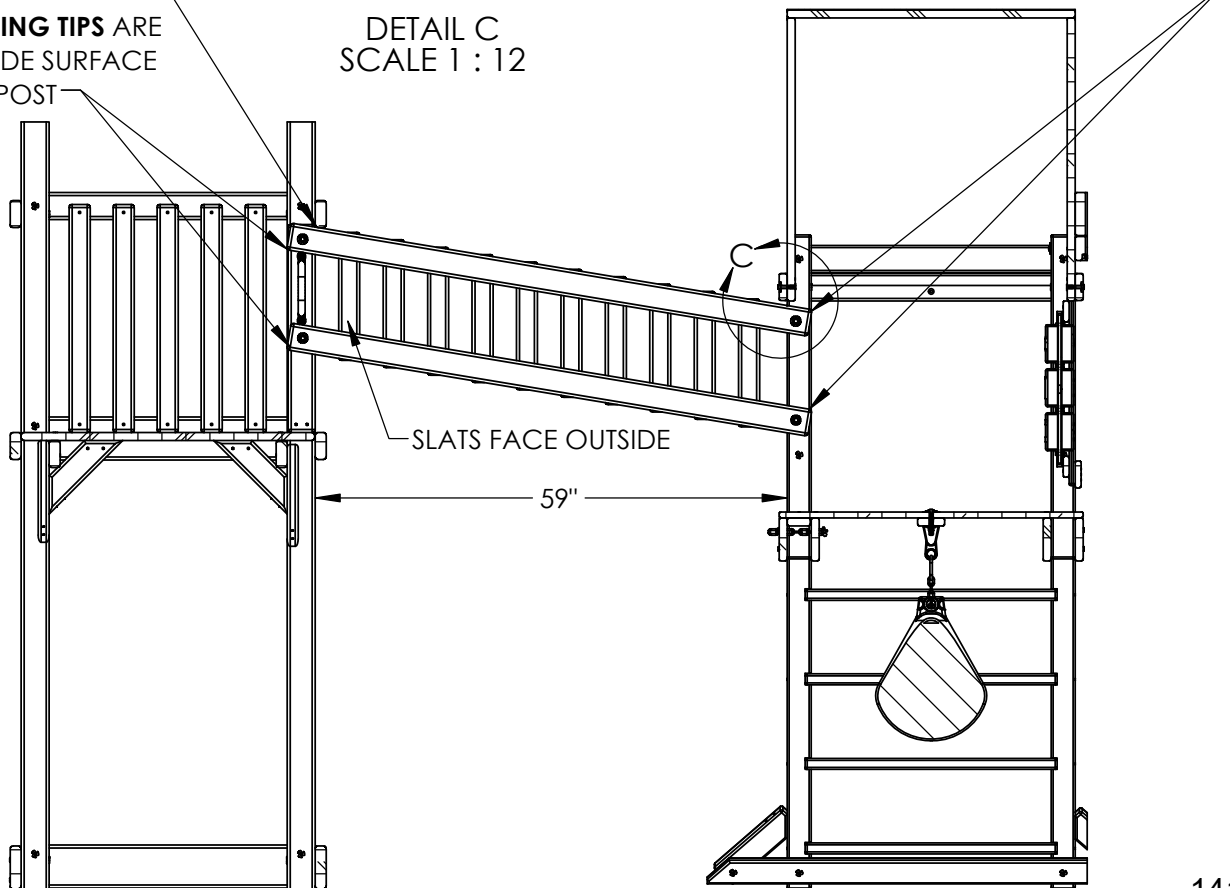


**TOP RAILING TIPS** ARE FLUSH TO THE INSIDE SURFACE OF THE CORNER POST

RAILING CONTACTS BOTTOM OF TOWER RAIL

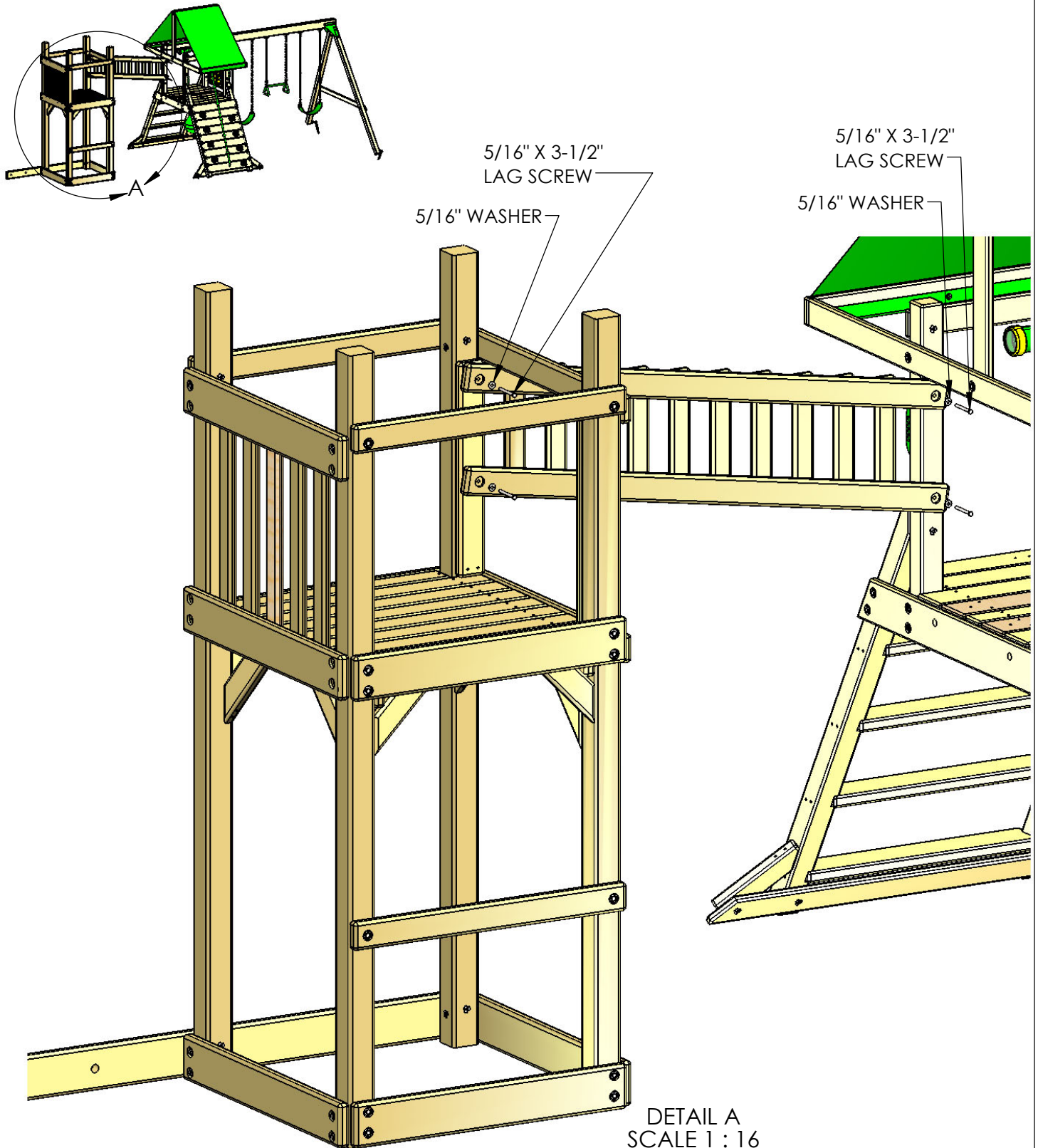
**BOTTOM RAILING TIPS** ARE FLUSH TO INSIDE SURFACE OF CORNER POST

DETAIL C  
SCALE 1 : 12



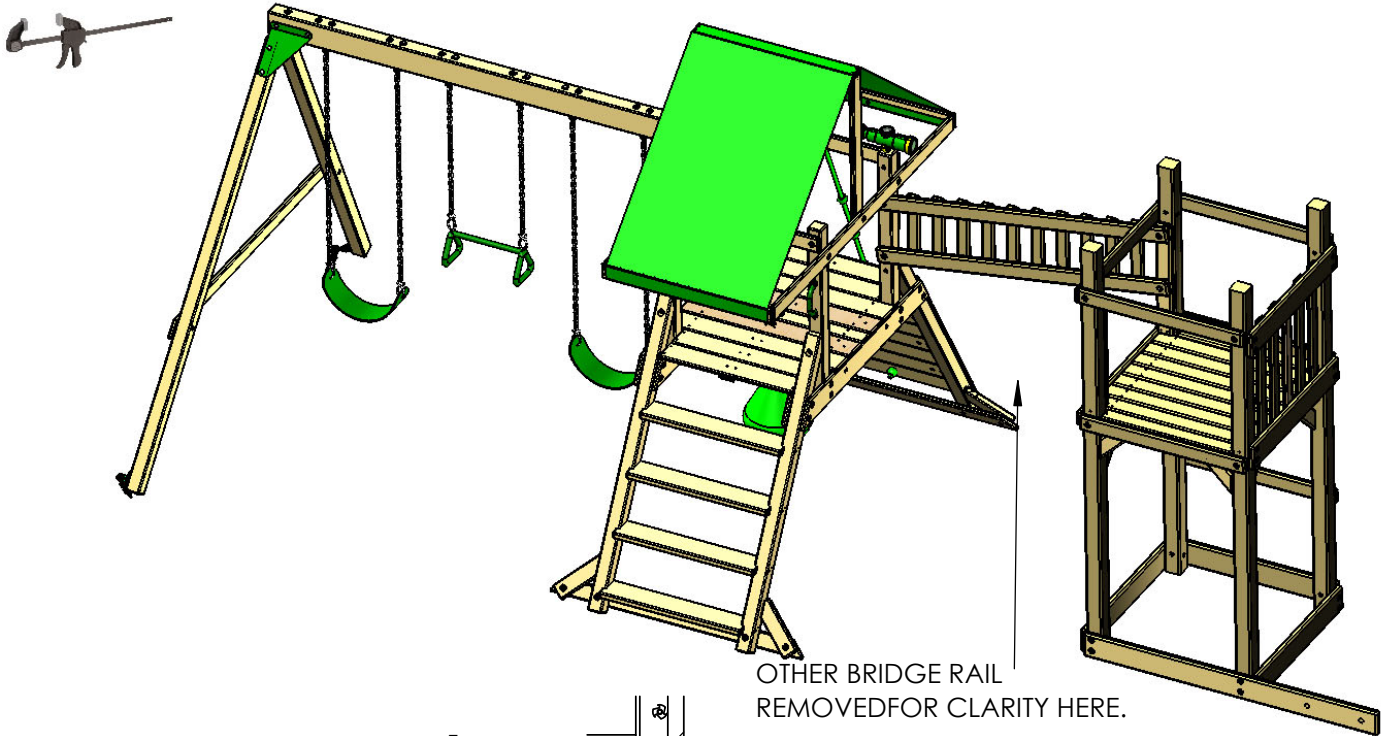
# STEP 20: BRIDGE RAILINGS

1: FASTEN THE BRIDGE RAILING TO THE CORNER POSTS OF THE TOWER AND THE PLAYSET WITH FOUR 5/16" X 3-1/2" LAG SCREWS AND FOUR 5/16" WASHERS.

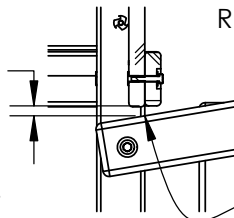


# STEP 21: BRIDGE RAILINGS

1: REPEAT THE SAME PROCESS AS YOU DID IN STEP 19. RACK THE BRIDGE RAILING AND TEMPORARILY CONNECT IT TO THE PLAYSET AND TOWER WITH QUICK GRIP CLAMPS SIMILAR TO THE ONE SHOWN BELOW. YOU WILL NEED 2 CLAMPS AS BEFORE.



$\frac{5}{8}$ " GAP

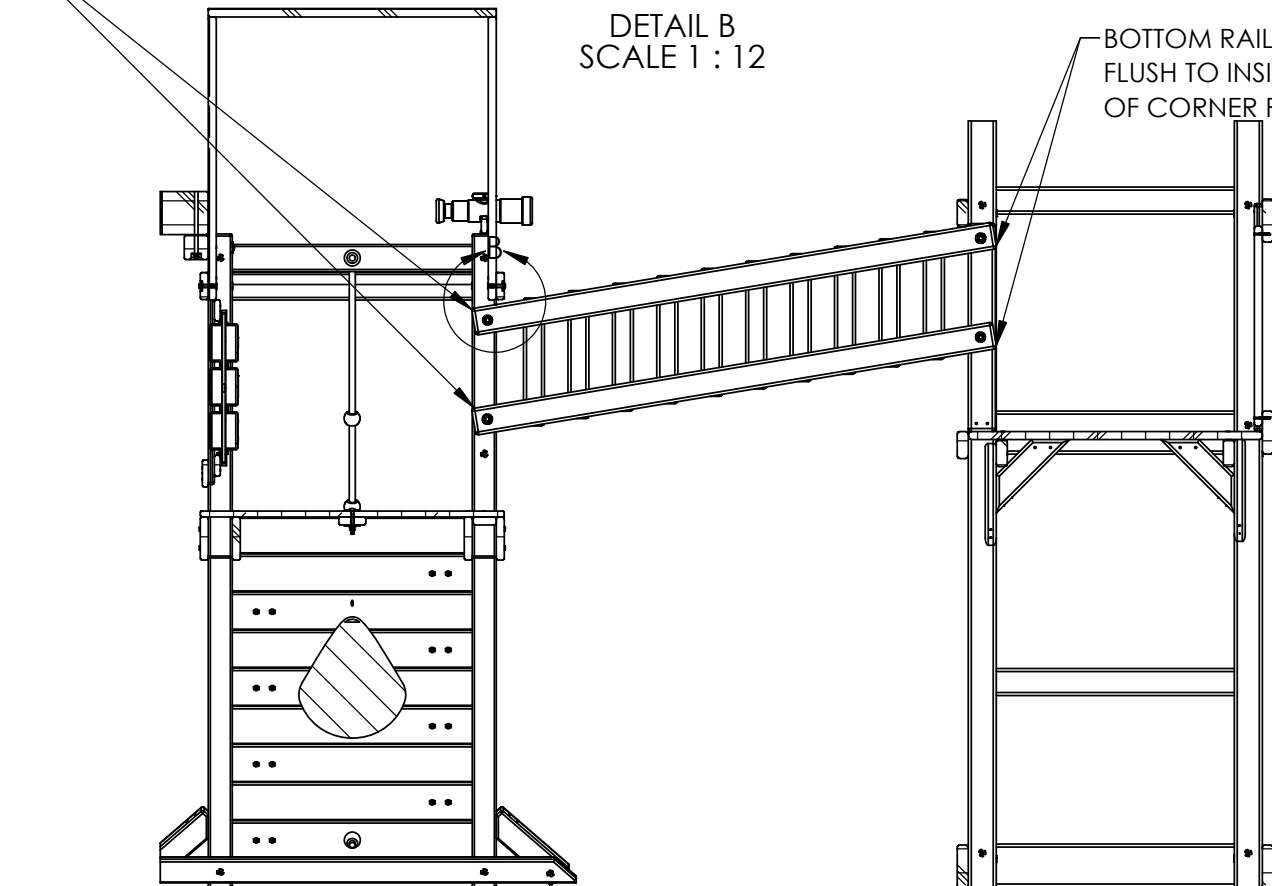


MAKE A MARK  $\frac{5}{8}$ " DOWN FROM THE SET RAILING ONTO THE CORNER POST. ALIGN TOP OF BRIDGE RAIL WITH THIS MARK.

TOP RAILING TIPS ARE FLUSH TO INSIDE SURFACE OF CORNER POST

DETAIL B  
SCALE 1 : 12

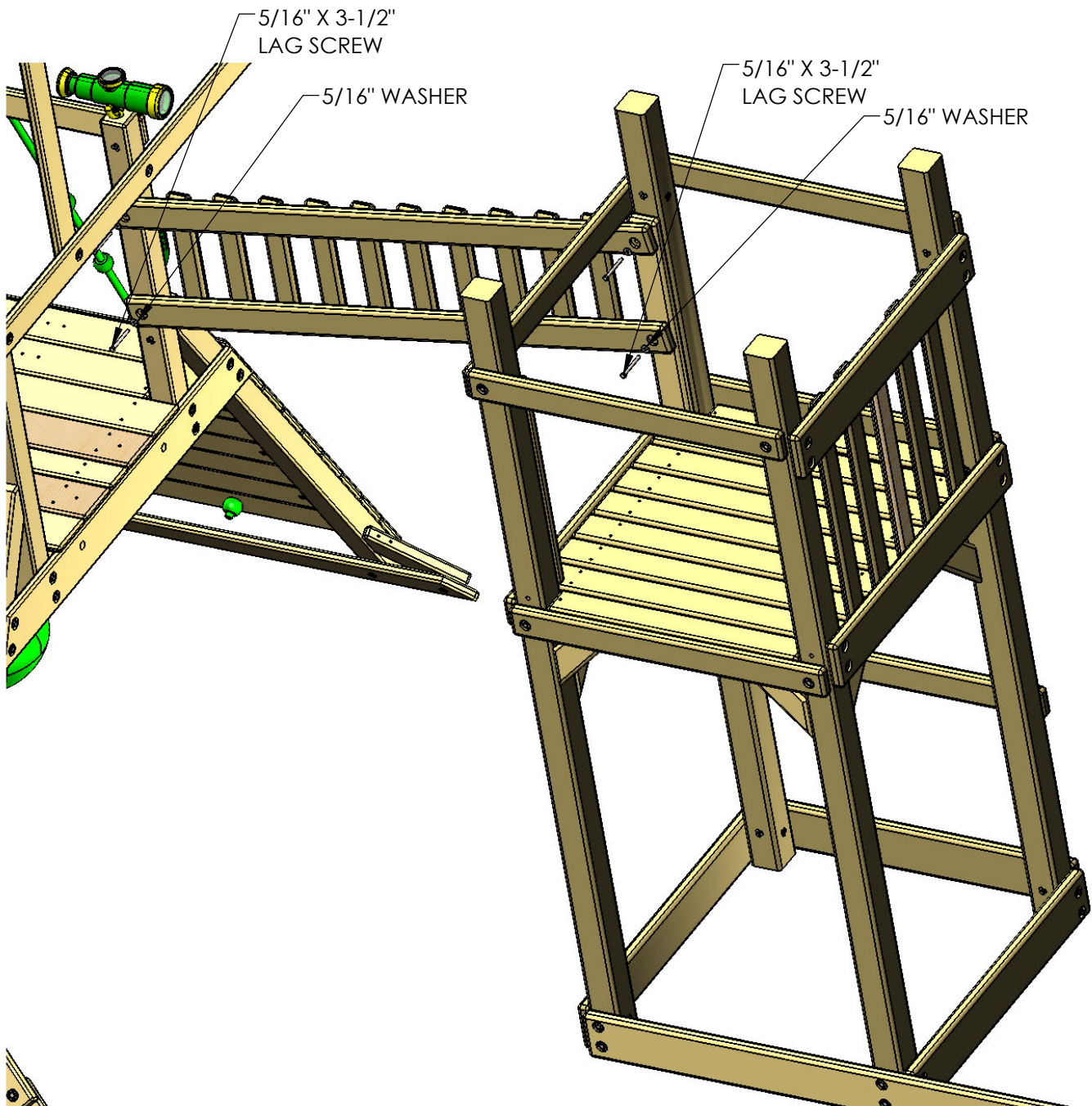
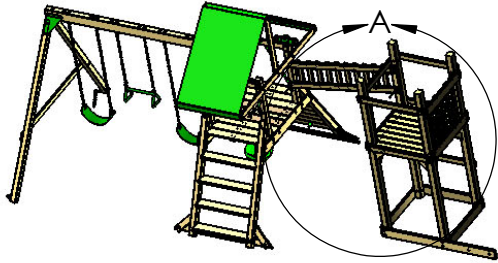
BOTTOM RAILING TIPS ARE FLUSH TO INSIDE SURFACE OF CORNER POST





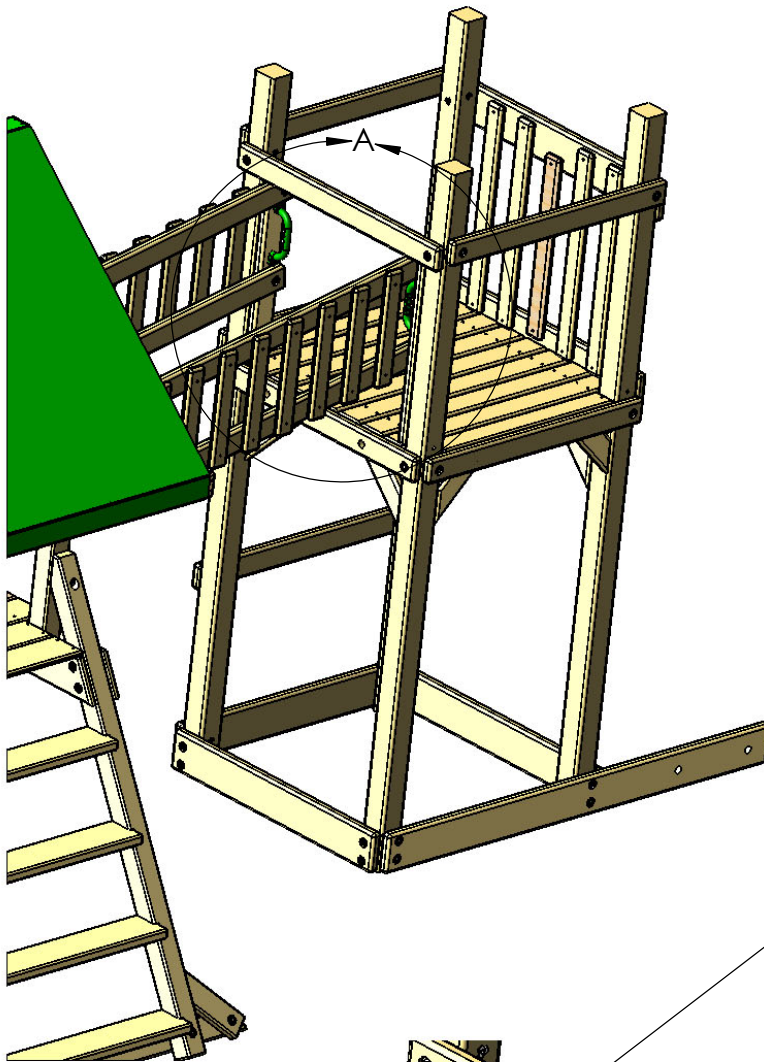
## STEP 22: BRIDGE RAILINGS

1: FASTEN THE BRIDGE RAILING TO THE CORNER POSTS OF THE TOWER AND THE PLAYSET WITH FOUR 5/16" X 3-1/2" LAG SCREWS AND FOUR 5/16" WASHERS.

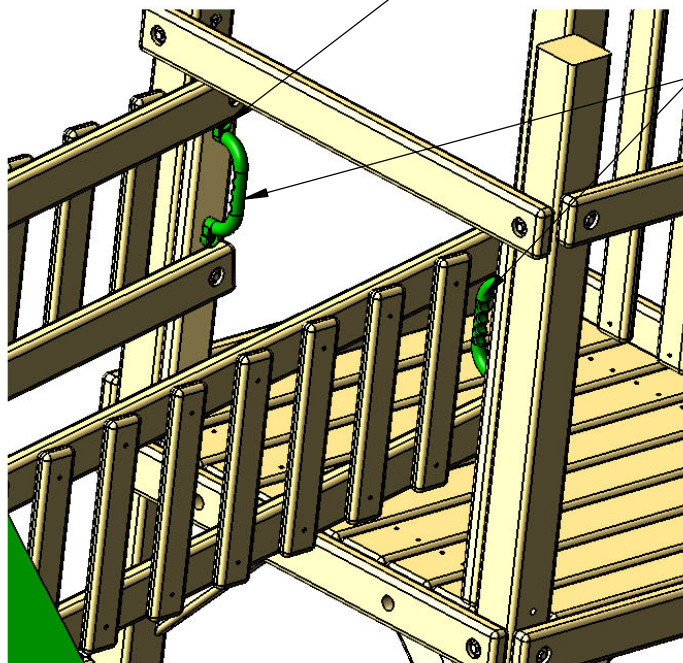


## STEP 23: GRAB HANDLES

1: INSTALL 2 GRAB HANDLES AS SHOWN BELOW. USE THE HARDWARE PROVIDED WITH THE GRAB HANDLES TO INSTALL THEM.



#14 X 1-1/4" PAN HEAD SCREW  
WITH 1/4" WASHER AT EACH HOLE



GRAB HANDLES

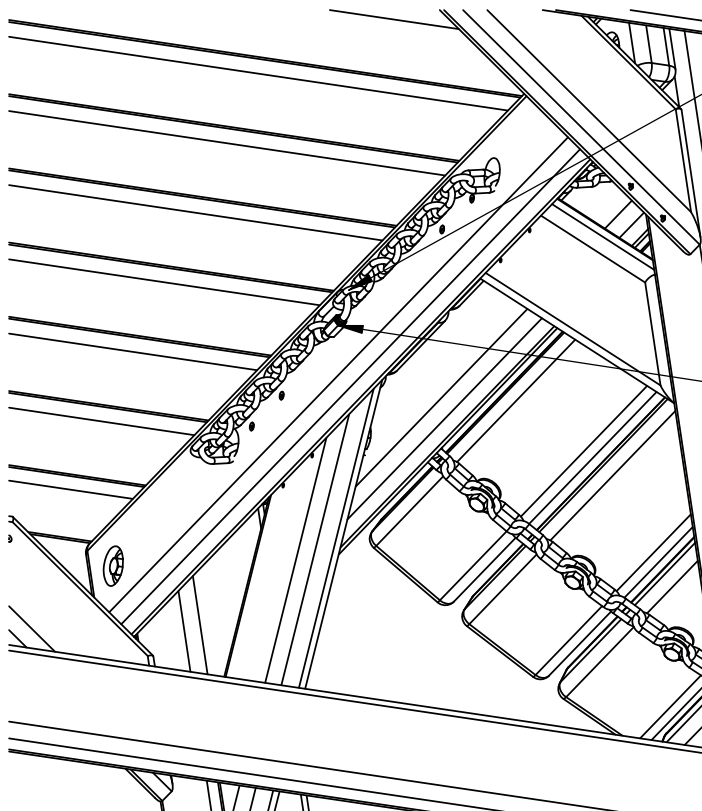
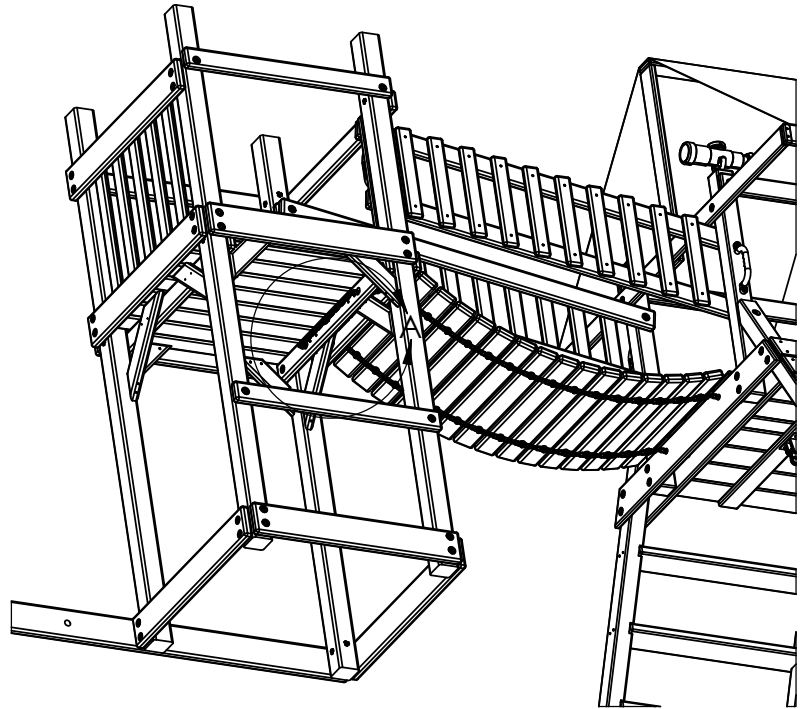
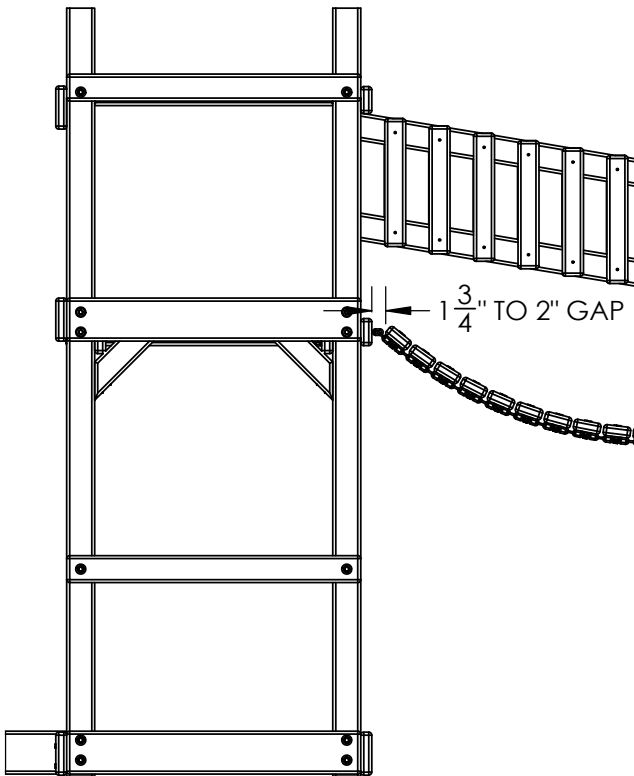
DETAIL A  
SCALE 1 : 12



## STEP 24: BRIDGE DECK/CHAIN INSTALLATION

1: LAY THE BRIDGE DECK/CHAIN ASSEMBLY BETWEEN THE PLAYSET AND THE TOWER WITH THE CHAINS FACING THE GROUND. THREAD THE CHAIN ENDS IN THE BRIDGE DECK ASSEMBLY THROUGH THE HOLES IN THE BOTTOM PANEL BOARD AND THE DECK SUPPORT ON THE TOWER.

2: THERE SHOULD BE AT LEAST A 1-3/4" TO 2" GAP BETWEEN THE BRIDGE DECK BOARD AND THE BOTTOM PANEL BOARD ON THE TOWER. THIS MEANS THAT YOU WILL HAVE TO CONNECT THE ENDS OF THE CHAINS IN A MANNER TO ACHIEVE THE CORRECT GAP. GO UNDERNEATH THE DECK AND USE A QUICK LINK TO CONNECT THE CHAINS TOGETHER WHILE YOU HAVE AN ASSISTANT HOLD UP THE BRIDGE DECK. IF YOU HAVE LOOSE ENDS OF THE CHAINS HANGING DOWN THREAD THEM THROUGH THE QUICK LINK TO KEEP THEM UP AND OUT OF THE WAY. THE CHAIN MUST GO THROUGH TWO BOARDS, **NO EXCEPTIONS.**

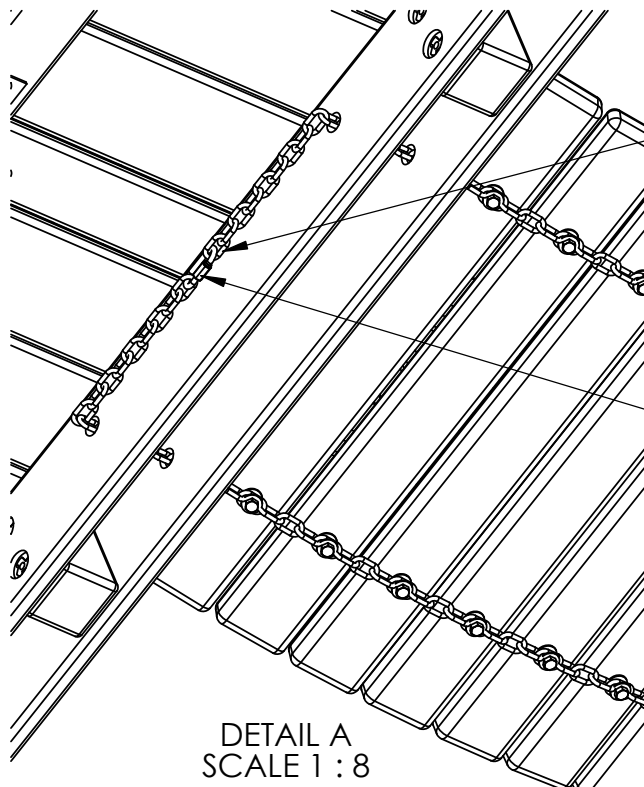
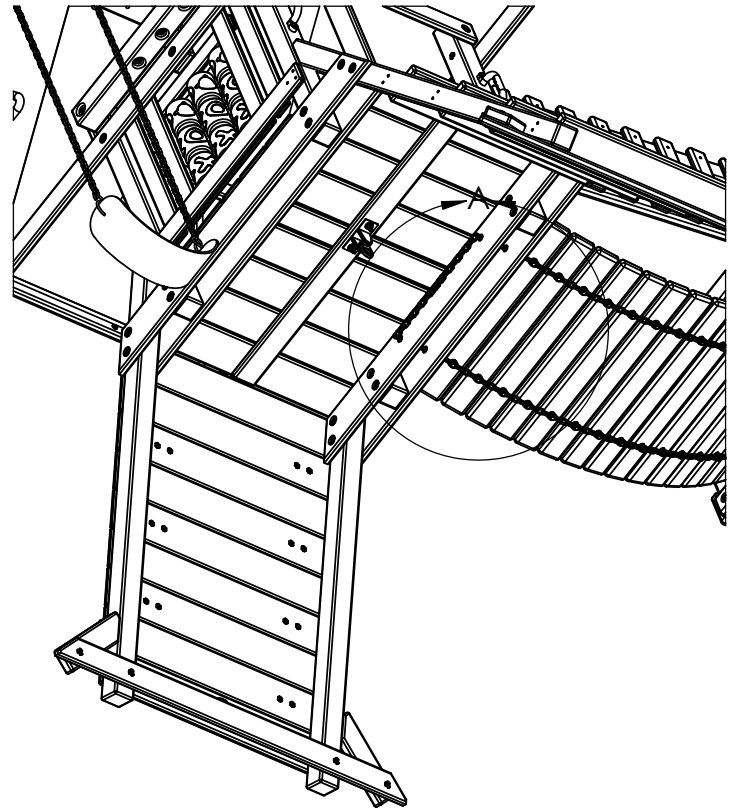
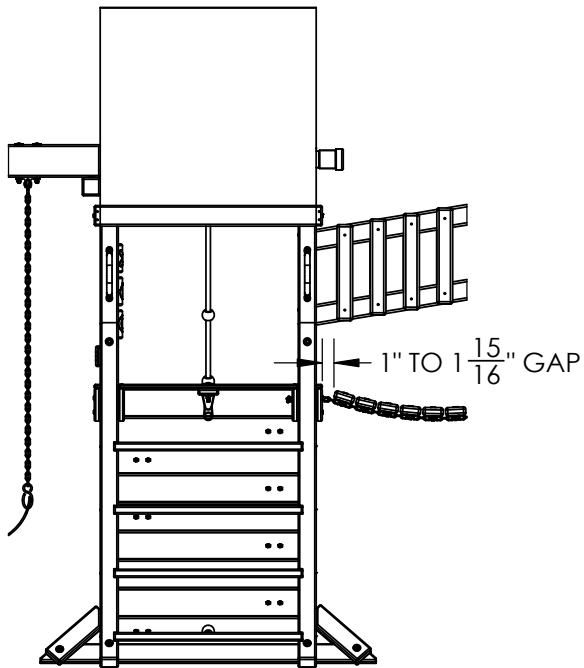


NOTE: TO ACHIEVE THE CORRECT GAP YOU MAY NOT BE CONNECTING THE END LINK OF EACH CHAIN. FOR EXAMPLE YOU MAY HAVE TO CONNECT THE SECOND, THIRD, OR FOURTH LINKS TOGETHER.

QUICK LINK

## STEP 25: BRIDGE DECK/CHAIN INSTALLATION

1: THERE SHOULD BE A 1" TO 1-15/16" GAP BETWEEN THE OUTER FORT SUPPORT AND THE BRIDGE DECK BOARD AT THE PLAYSET FORT. THIS MEANS THAT YOU WILL HAVE TO CONNECT THE ENDS OF THE CHAINS IN A MANNER TO ACHIEVE THE CORRECT GAP. GO UNDERNEATH THE FORT AND USE A QUICK LINK TO CONNECT THE CHAINS TOGETHER WHILE YOU HAVE AN ASSISTANT HOLD UP THE BRIDGE DECK. IF YOU HAVE LOOSE ENDS OF THE CHAINS HANGING DOWN THREAD THEM THROUGH THE QUICK LINK TO KEEP THEM UP AND OUT OF THE WAY. THE CHAIN MUST GO THROUGH TWO BOARDS. **NO EXCEPTIONS.**



NOTE: TO ACHIEVE THE CORRECT GAP YOU MAY NOT BE CONNECTING THE END LINK OF EACH CHAIN. FOR EXAMPLE YOU MAY HAVE TO CONNECT THE SECOND, THIRD OR FOURTH LINKS TOGETHER.

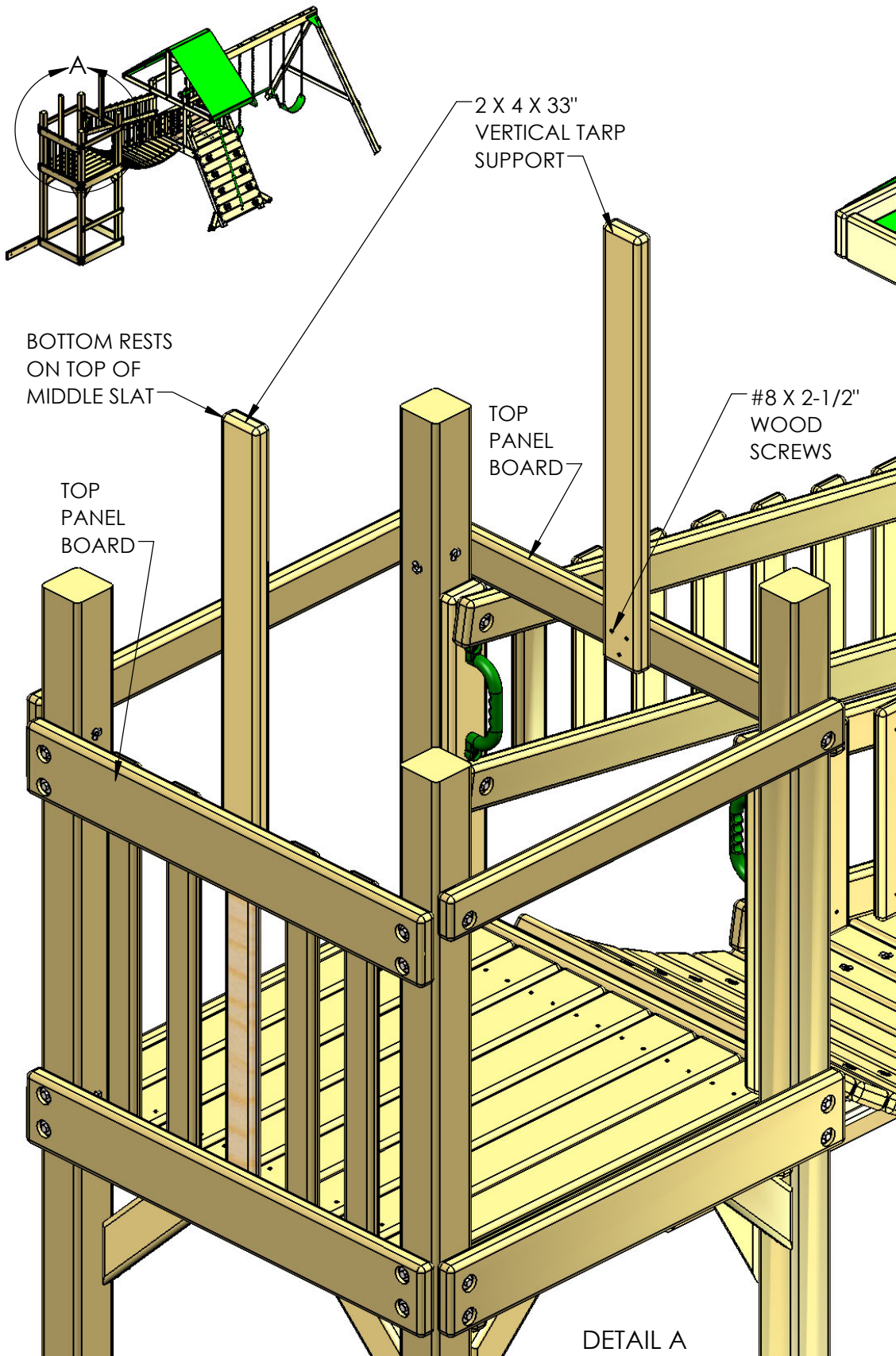
QUICK LINK

DETAIL A  
SCALE 1 : 8

## STEP 26: VERTICAL TARP SUPPORTS

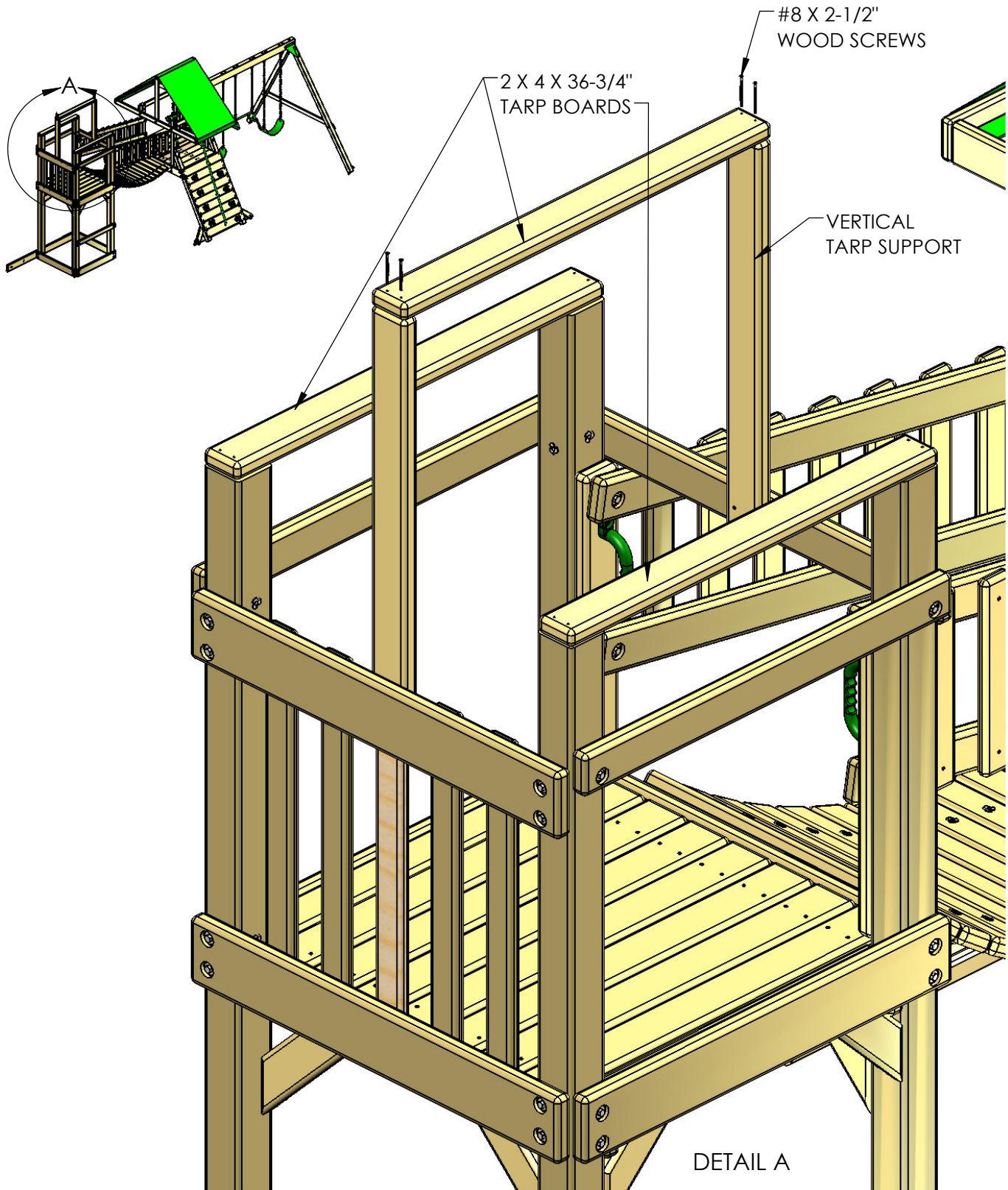
1: PLACE THE 2 X 4 X 33" VERTICAL TARP SUPPORTS ON THE INSIDE OF THE TOP PANEL BOARDS. THE END OF EACH VERTICAL TARP SUPPORT SHOULD BE FLUSH TO THE BOTTOM OF THE TOP PANEL BOARD OR WILL BE ON TOP OF THE CENTER PANEL SLAT. CENTER EACH VERTICAL TARP SUPPORT WITH THE CENTER OF THE TOP PANEL BOARD. SQUARE EACH VERTICAL TARP SUPPORT TO THE TOP PANEL BOARD.

2: ATTACH THE VERTICAL TARP SUPPORTS TO THE BOARDS WITH 2-1/2" WOOD SCREWS.



## STEP 27: TARP BOARDS

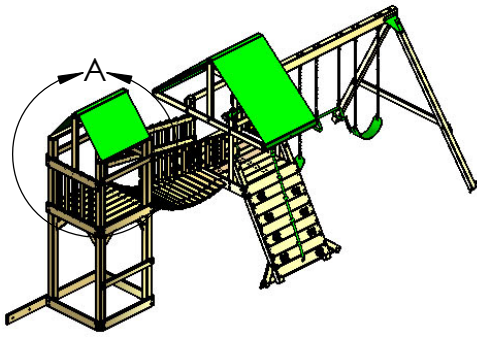
- 1: LOCATE THREE 2 X 4 X 36-3/4" TARP BOARDS.
- 2: PLACE ONE TARP BOARD ON TOP OF THE VERTICAL TARP SUPPORTS. THE END OF THE TARP BOARD SHOULD BE FLUSH WITH THE SIDES OF THE VERTICAL TARPS SUPPORTS.
- 3: ATTACH THE TARP BOARD TO THE VERTICAL TARP SUPPORTS WITH 2-1/2" WOOD SCREWS.
- 4: PLACE ONE TARP BOARD ON TOP OF THE CORNER POSTS. THE TARP BOARD SHOULD BE FLUSH TO THE OUTSIDE OF THE CORNER POST.
- 5: ATTACH THE TARP BOARD TO THE TOP OF THE CORNER POSTS WITH 2-1/2" WOOD SCREWS.
- 6: REPEAT SUBSTEPS 4 AND 5 TO INSTALL THE LAST TARP BOARD.



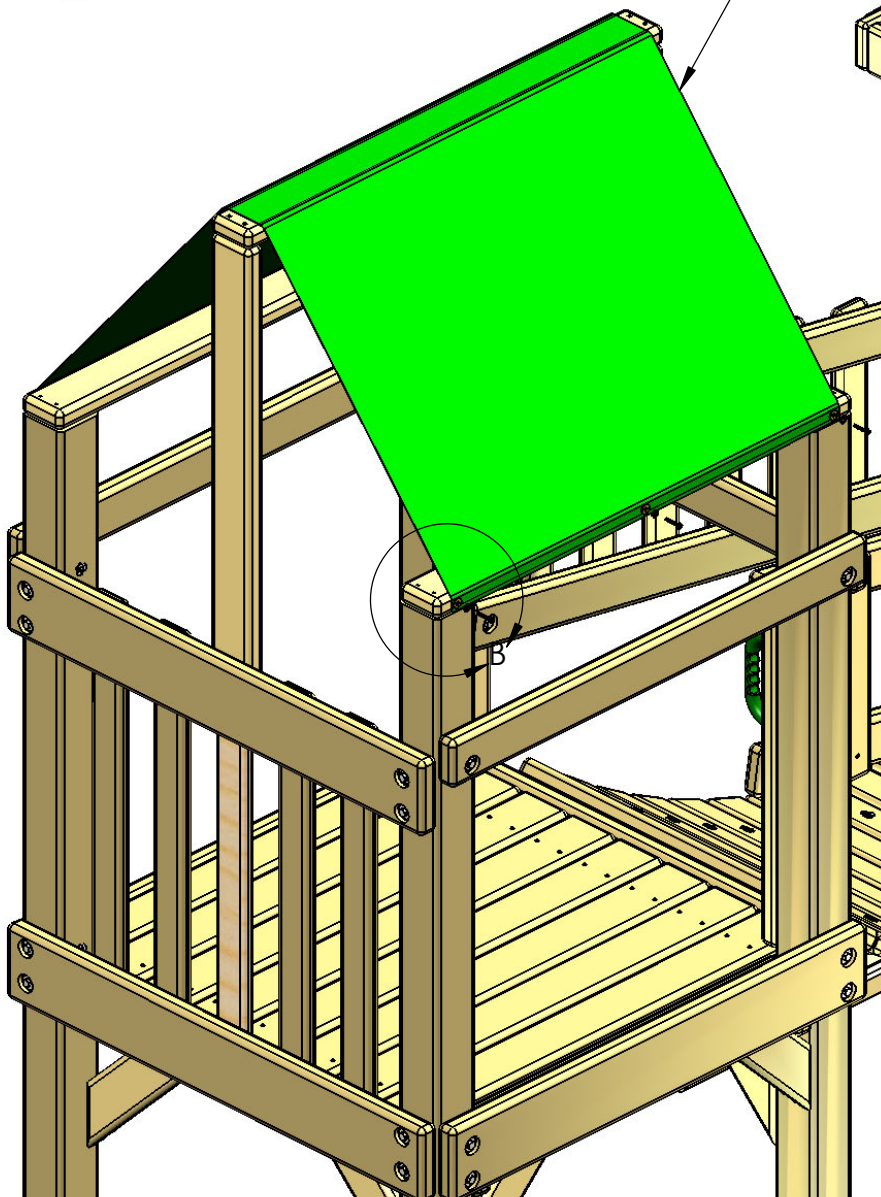


## STEP 28: CLATTER BRIDGE TARP

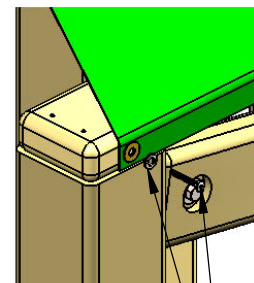
- 1: LOCATE THE 34-1/4" X 57-1/2" CLATTER BRIDGE TARP.
- 2: PLACE THE TARP OVER THE TOP OF THE TARP BOARD ON TOP OF THE VERTICAL TARP SUPPORTS. THE HEMS SHOULD FACE THE INSIDE.
- 3: THE TARP WILL OVERLAP THE SIDE OF THE TARP BOARDS ON TOP OF THE CORNER POSTS.
- 4: ATTACH THE TARP THROUGH THE GROMMETS TO THE TARP BOARDS WITH #14 X 1-1/4" PAN HEAD SCREWS AND 1/4" FLAT WASHERS.



34-1/4" X 57-1/2"  
CLATTER BRIDGE TARP



DETAIL A



1/4" WASHER  
#14 X 1-1/4"  
PAN HEAD  
SCREW

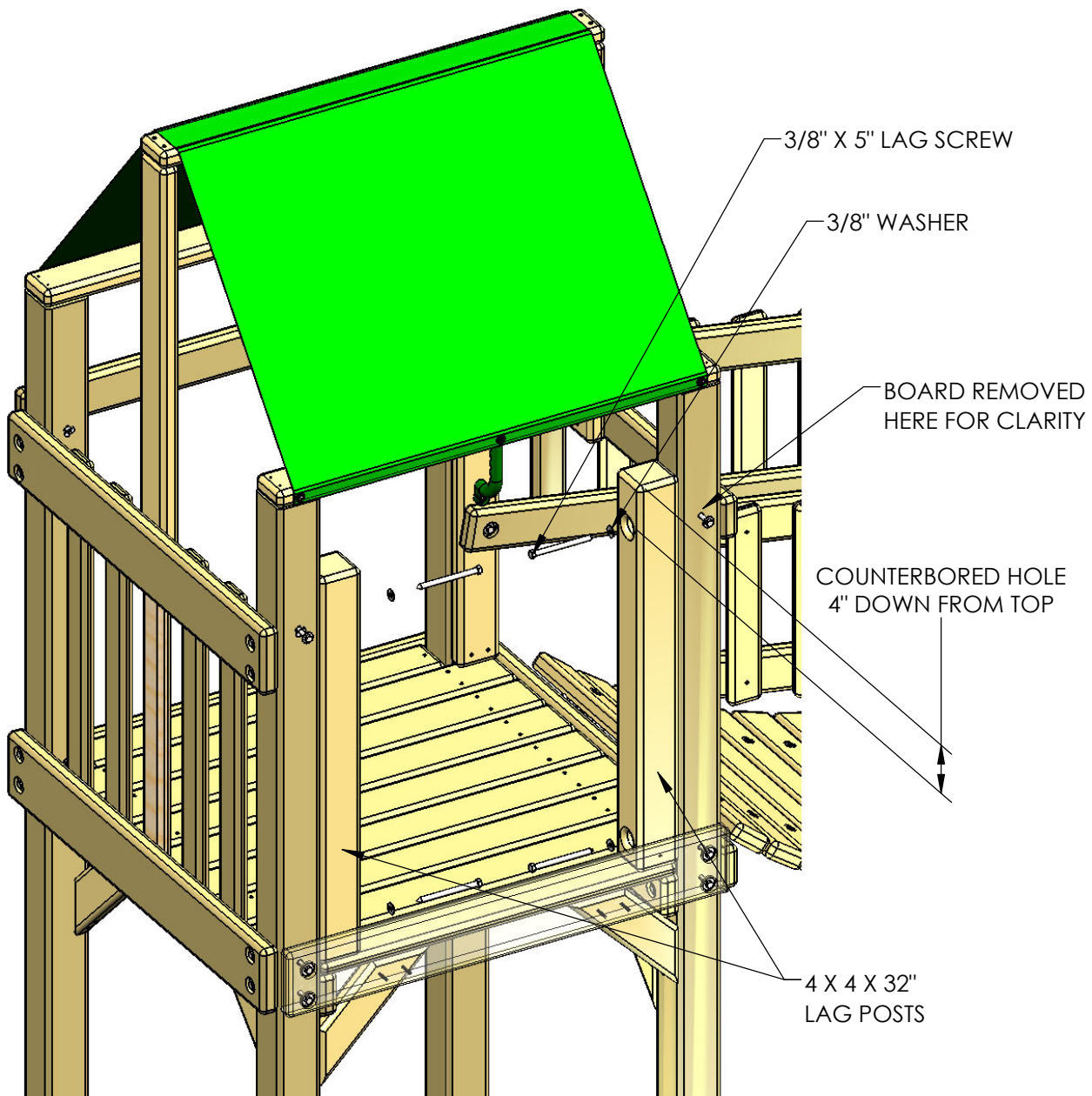
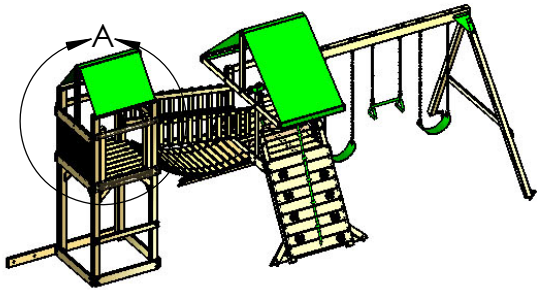
DETAIL B

## STEP 29: LAG POSTS

1: LOCATE TWO 4 X 4 X 32" LAG POSTS.

2: PLACE THE LAG POSTS ON THE INSIDE OF CORNER POSTS C AND D AS SHOWN. THE COUNTERBORED HOLE THAT IS 4" FROM THE END SHOULD BE AT THE TOP.

3: ATTACH EACH LAG POST TO THE CORNER POST WITH 3/8" X 5" LAG SCREWS AND 3/8" WASHERS.



DETAIL A

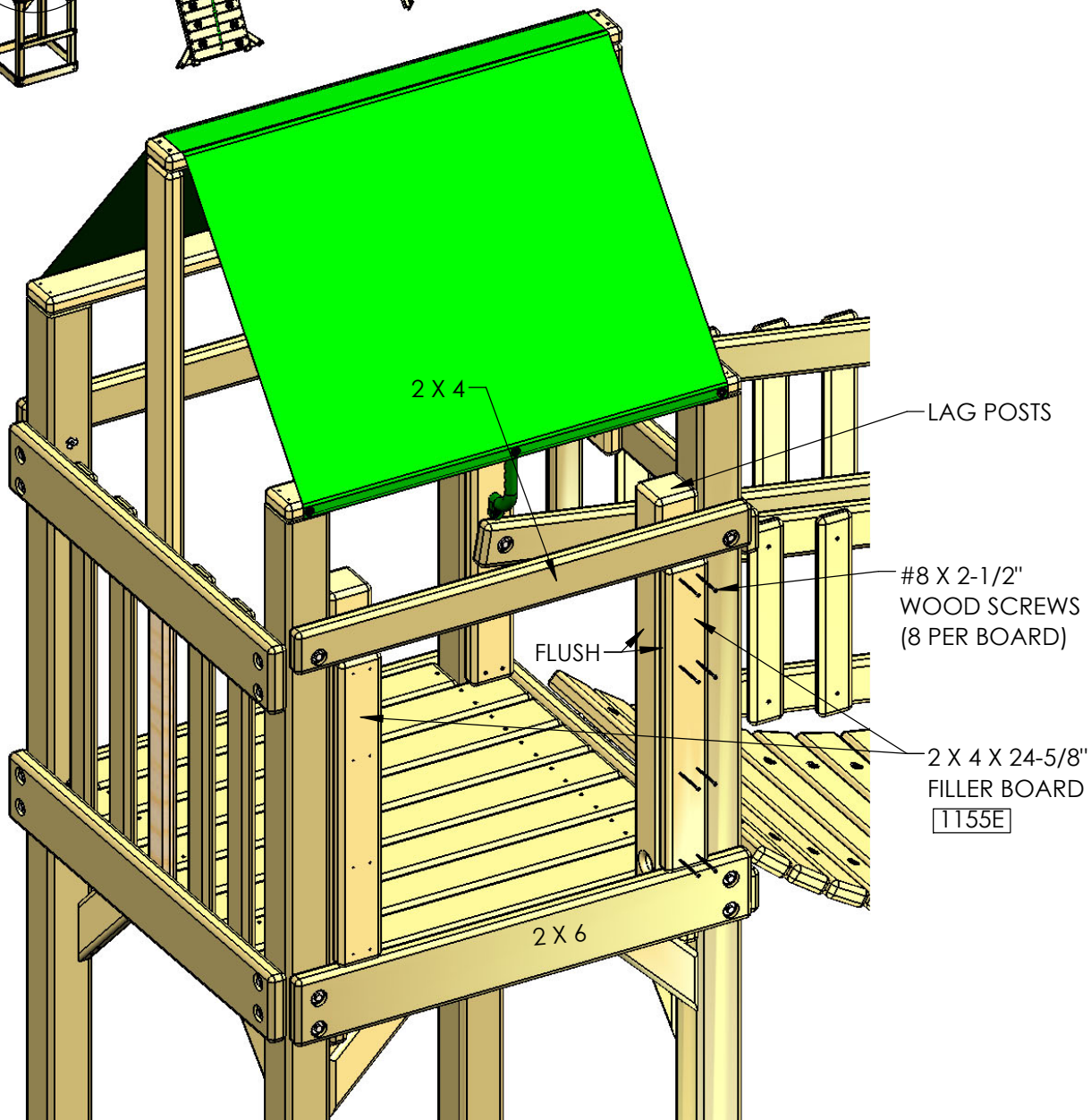
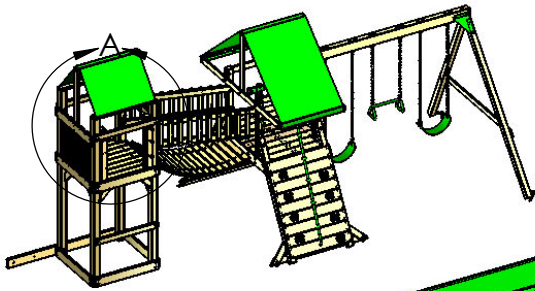


## STEP 30: FILLER BOARDS

1: PLACE THE FILLER BOARDS ON TOP OF THE LAG POSTS.

2: THE FILLER BOARDS SHOULD FIT IN BETWEEN THE 2 X 4 AND THE 2 X 6. IF THEY DO NOT FIT THEN LOOSEN THE HORIZONTAL 2 X 4 ABOVE THEM, THEN INSTALL THE FILLER BOARDS AND TIGHTEN THE 2 X 4 BACK UP.

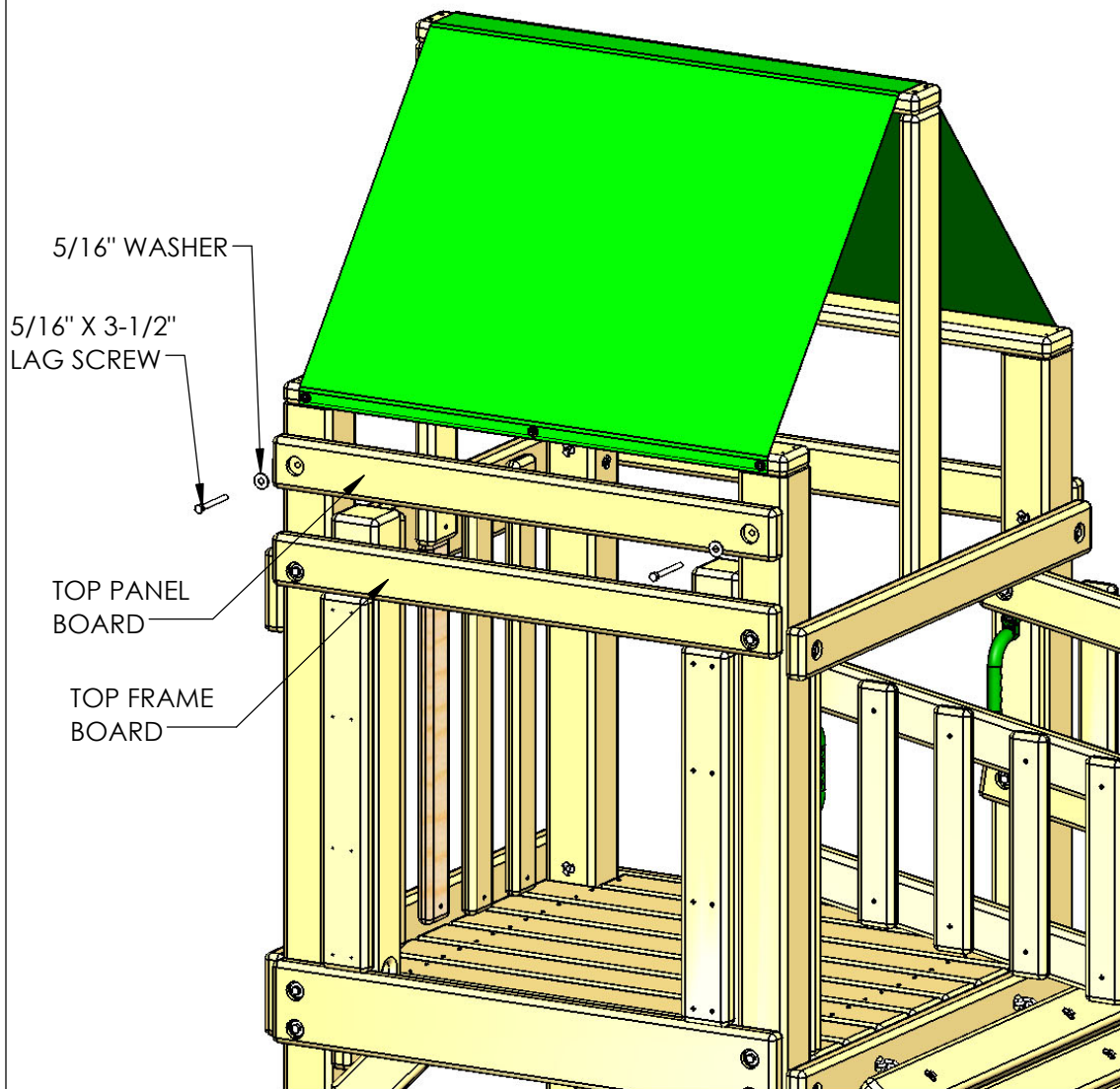
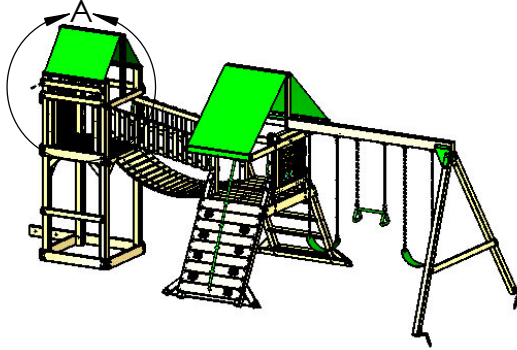
3: FASTEN THE FILLER BOARDS WITH EIGHT #8 X 2-1/2" WOOD SCREWS EACH.



DETAIL A

## STEP 31: PANEL BOARD

- 1: CENTER THE 2 X 4 X 36-3/4" TOP PANEL BOARD VERTICALLY ABOVE THE TOP FRAME BOARD.
- 2: ATTACH THE TOP PANEL BOARD WITH 5/16" X 3-1/2" LAG SCREWS AND 5/16" WASHERS.



DETAIL A

## STEP 32: 5' QUICK CONNECT TURBO SLIDE

1: ASSEMBLE THE 5' QUICK CONNECT TURBO SLIDE USING THE INSTRUCTIONS INCLUDED WITH THE SLIDE NOTING THE OPTIONS/EXCEPTIONS BELOW:

2: USE STEP 16A EXIT ASSEMBLY (LOW SETTING) TO CONSTRUCT THE EXIT ASSEMBLY

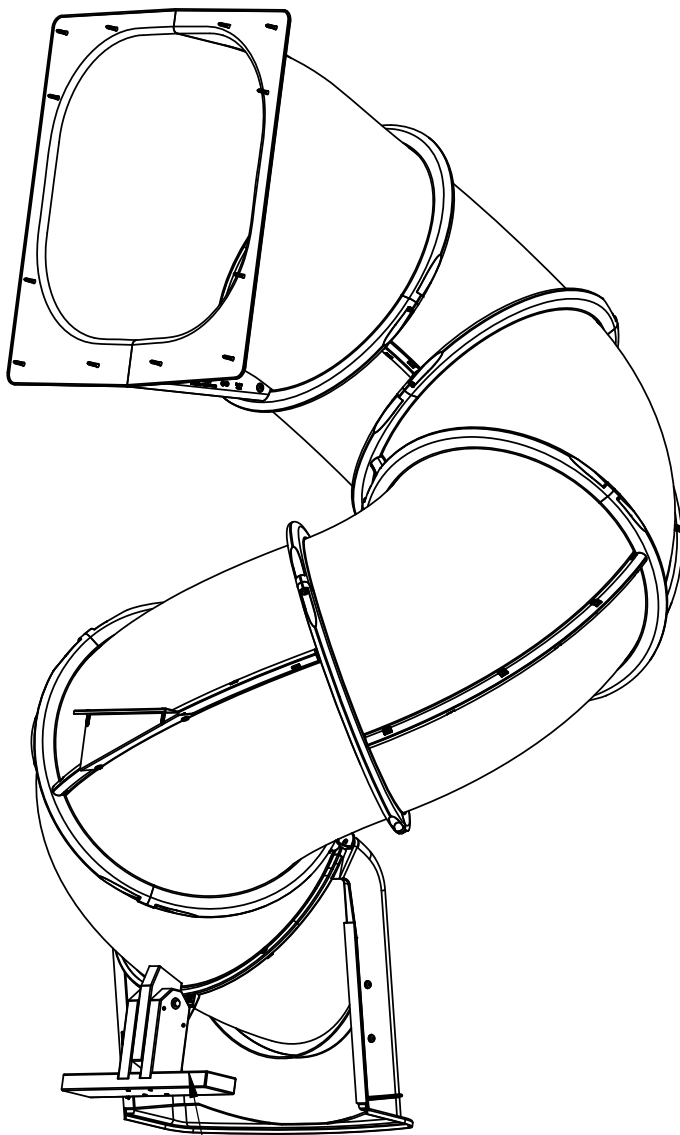
3: USE STEP 17A EXIT SUPPORT ASSEMBLY (LOW SETTING) TO CONSTRUCT THE EXIT SUPPORT ASSEMBLY.

4: USE STEPS 18A AND 18B TO CONNECT THE EXIT SECTION TO THE EXIT ASSEMBLY.

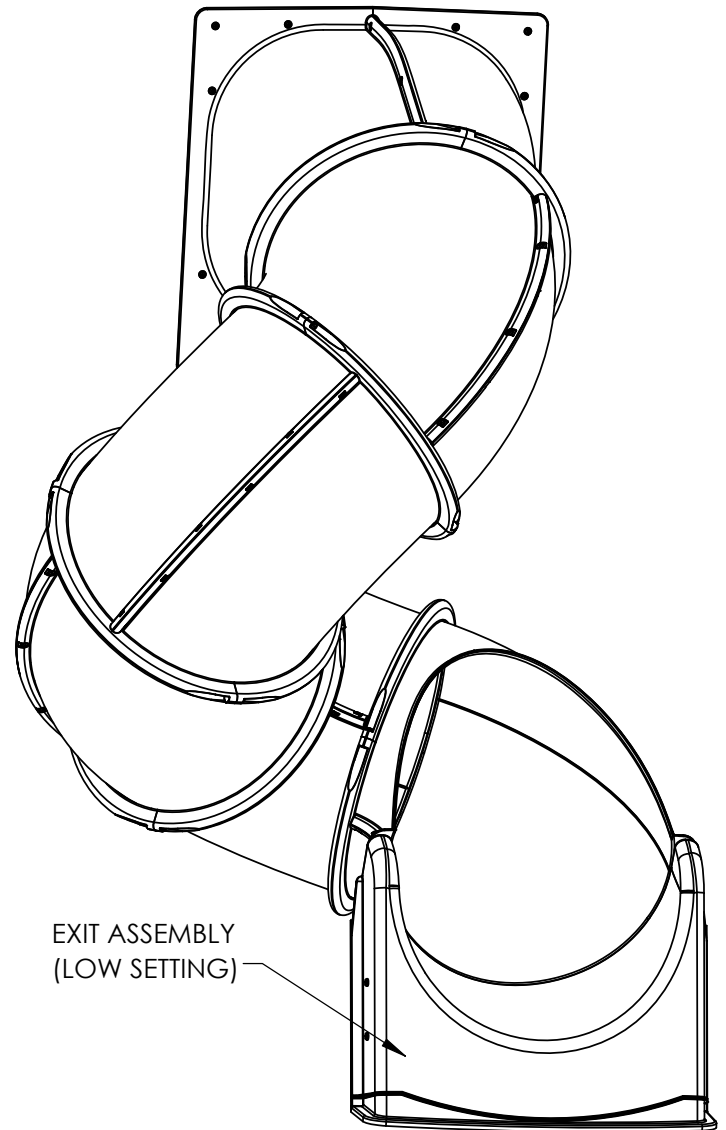
5: SKIP STEPS 19 & 20

6: USE STEP 21A TO CONNECT THE EXIT SUPPORT TO THE EXIT BRACKET (LOW SETTING)

NOW YOU ARE READY TO CONNECT THE SLIDE TO THE PLAYSET IN THE NEXT STEP.



EXIT SUPPORT ASSEMBLY  
(LOW SETTING)



EXIT ASSEMBLY  
(LOW SETTING)

# STEP 32A: ATTACHING SLIDE TO BRIDGE TOWER

IT IS BEST TO USE AN ASSISTANT FOR THIS STEP.

1: AS YOU ARE LIFTING THE SLIDE BE CAREFUL NOT TO DRAG THE WOOD EXIT SUPPORT AS THIS MAY DAMAGE THE PLASTIC FLANGE WHERE IT IS ATTACHED.

2: LIFT THE SLIDE AND PLACE THE SLIDE MOUNT BRACKET ON TOP OF THE TOP PANEL BOARD.

3: POSITION THE CENTER OF THE ENTRY SEAM AT THE 87-1/2" MARK YOU MADE EARLIER IN THE INSTRUCTIONS.

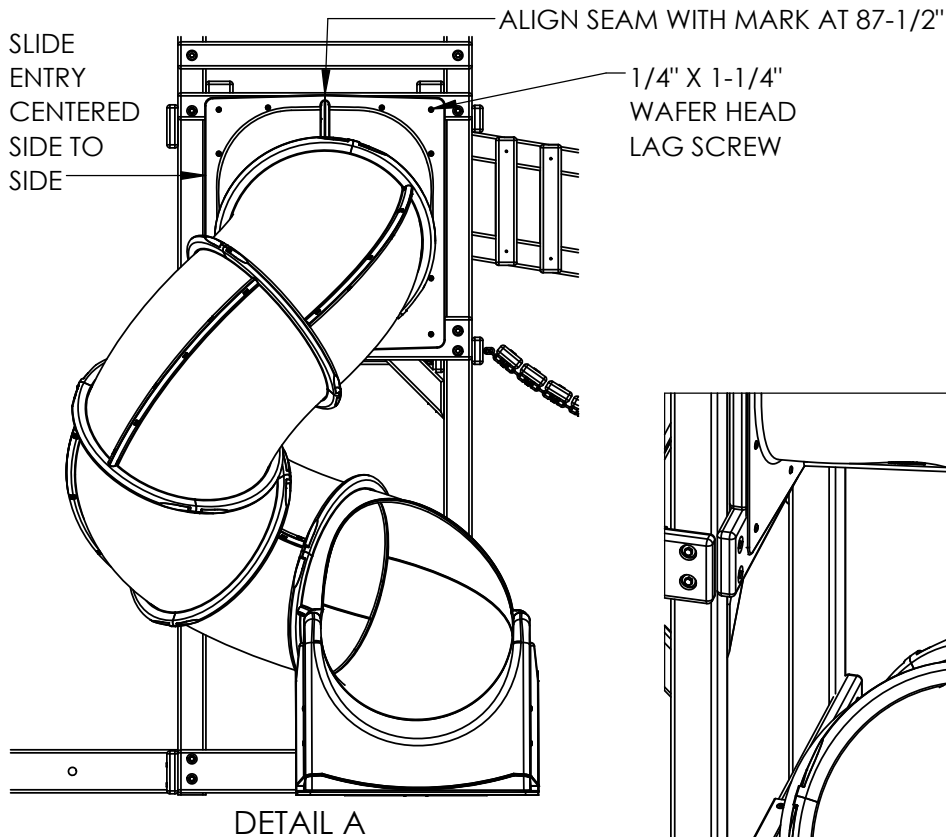
4: THE SLIDE ENTRY SHOULD BE CENTERED SIDE TO SIDE ON THE TOWER.

5: HAVE AN ASSISTANT HOLD THE SLIDE IN PLACE WHILE YOU MAKE MARKS AT ALL OF THE HOLES IN THE ENTRY.

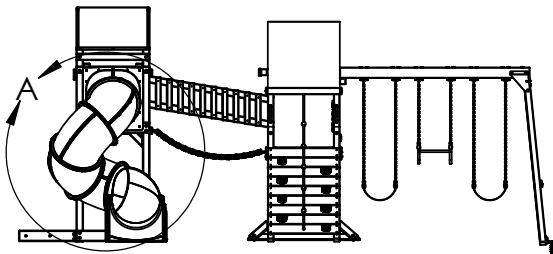
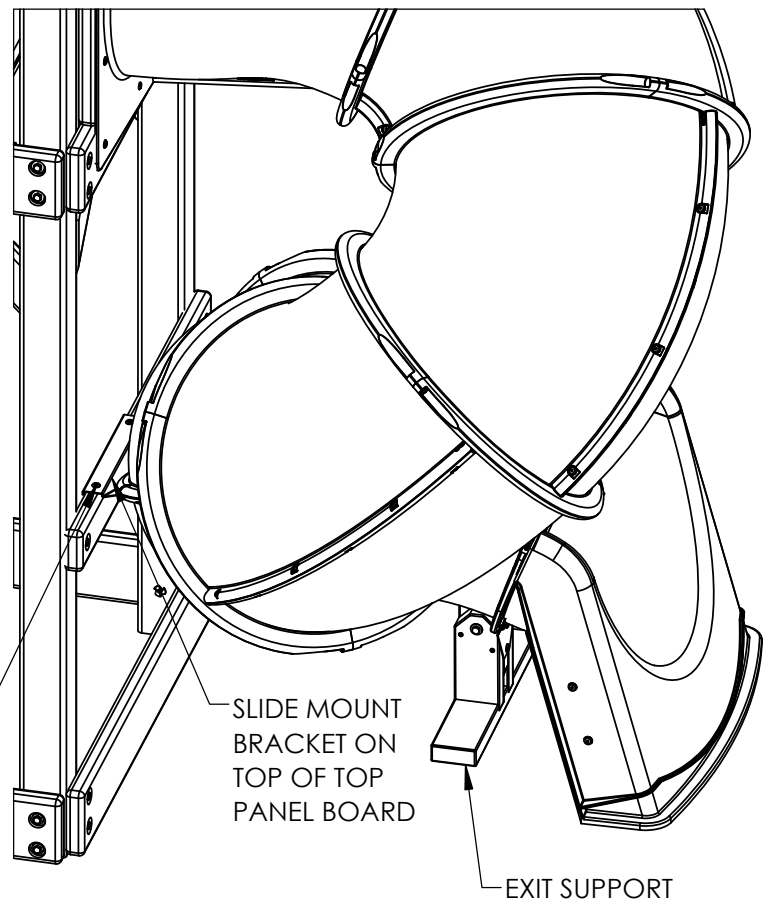
6: DRILL TWELVE 1/8" DIAMETER BY 1" DEEP HOLES AT EACH MARK.

7: INSTALL A 1/4" X 1-1/4" WAFER HEAD LAG SCREW AT EACH HOLE.

8: GO TO THE SLIDE MOUNT BRACKET AND DRILL A 1/8" DIAMETER BY 1-1/4" DEEP HOLE THROUGH EACH HOLE IN THE BRACKET. INSTALL A 1/4" X 1-1/4" WAFER HEAD LAG SCREW AT EACH HOLE.



1/4" X 1-1/4"  
WAFER HEAD  
LAG SCREWS  
(AFTER ENTRY  
IS MOUNTED)

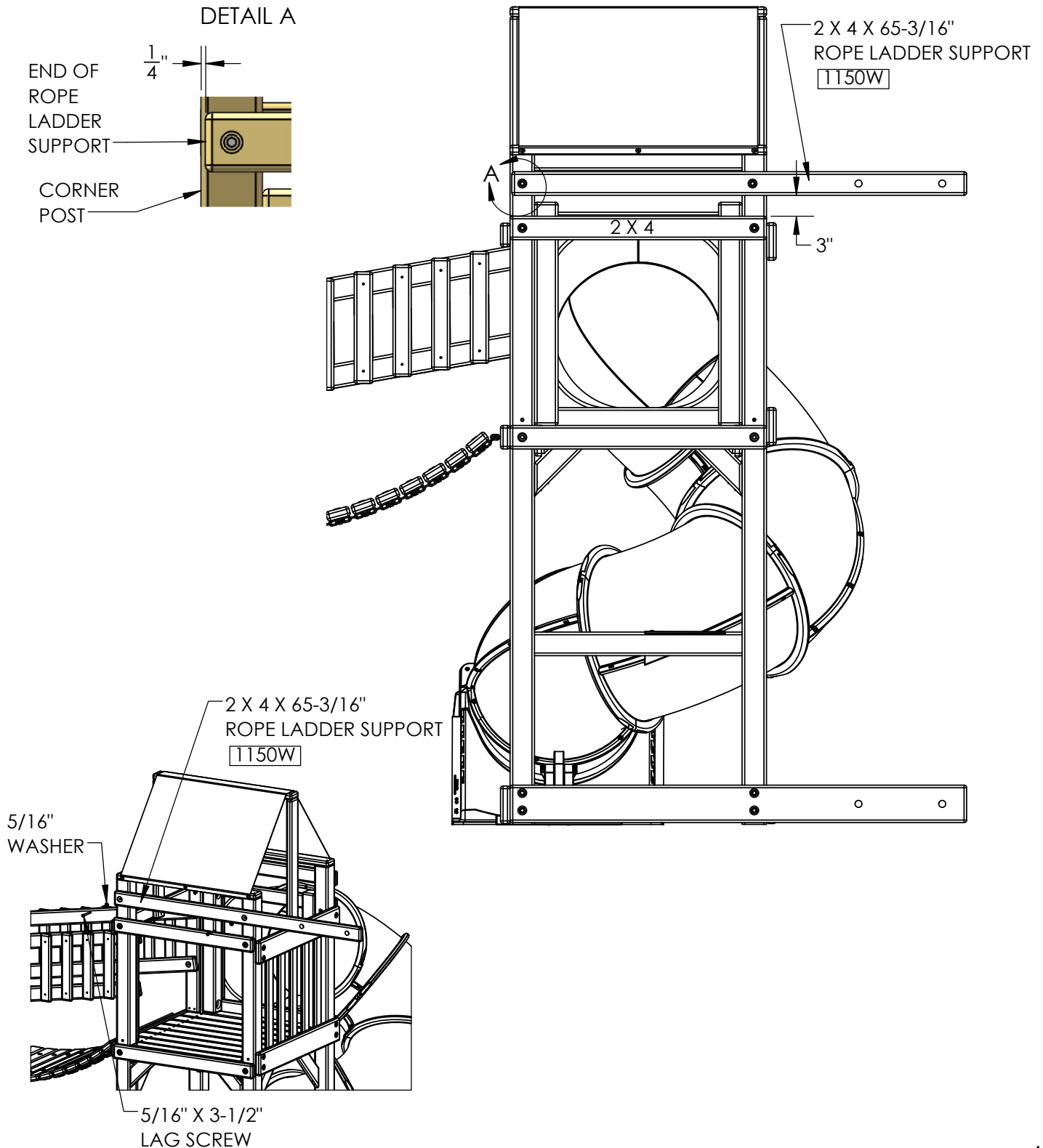


## STEP 33: ROPE LADDER SUPPORT

1: PLACE THE 2 X 4 X 65-3/16" L ROPE LADDER SUPPORT AGAINST THE CORNER POSTS 3" ABOVE THE 2 X 4.

2: THE END OF THE ROPE LADDER SUPPORT SHOULD BE INSET FROM THE CORNER POST 1/4" AS SHOWN IN DETAIL A BELOW.

3: FASTEN THE ROPE LADDER SUPPORT WITH 5/16" X 3-1/2" LAG SCREW AND 5/16" WASHERS.



## STEP 34: ROPE LADDER

1: MAKE A FIGURE 8 KNOT IN THE END OF EACH ROPE AND THREAD THE FREE END THROUGH THE BACK SIDE OF THE ROPE LADDER SUPPORT. PULL EACH ROPE TAUT.

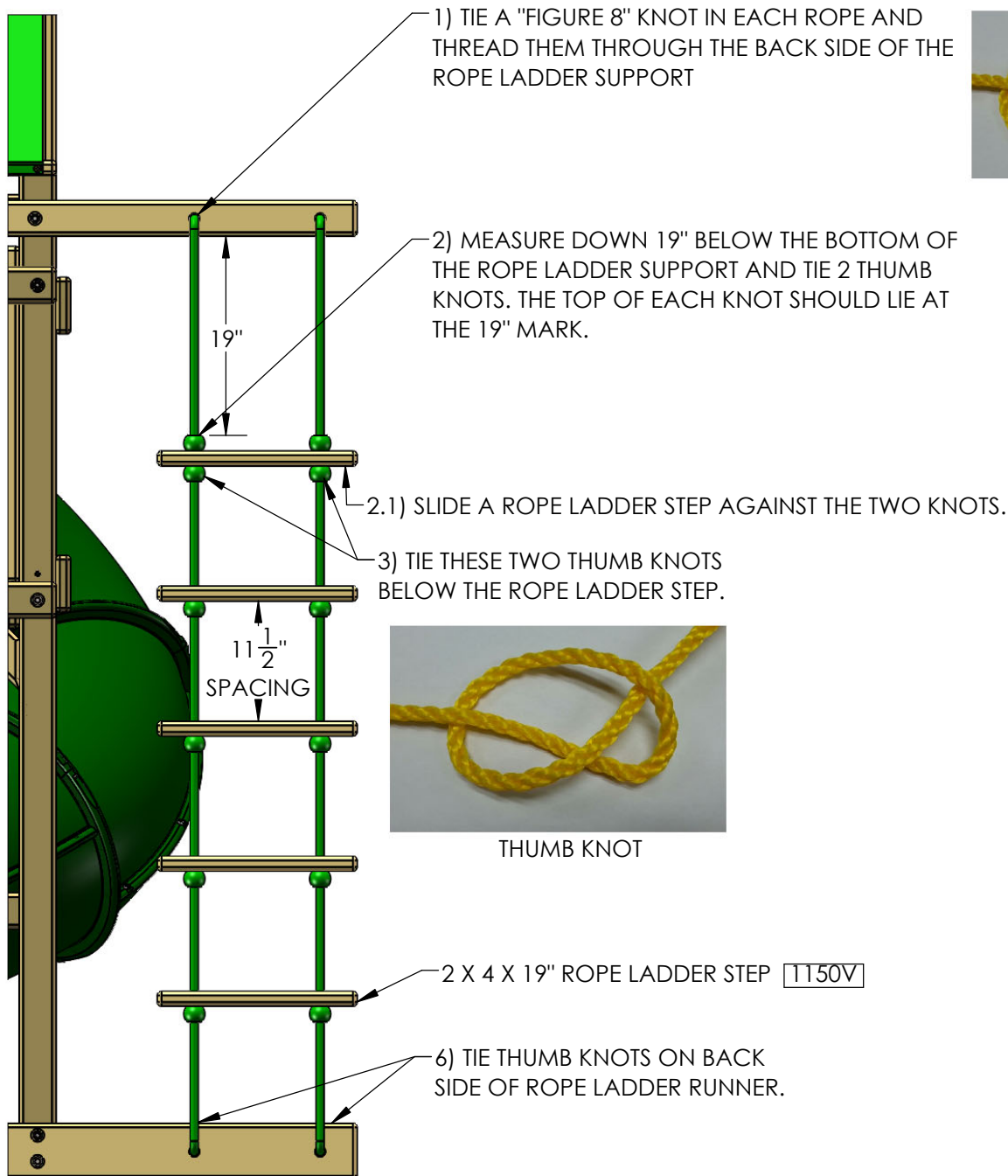
2: MEASURE FROM THE BOTTOM OF THE ROPE LADDER SUPPORT DOWN 19 INCHES AND TIE A THUMB KNOT. THE TOP OF THE KNOT SHOULD BE 19 INCHES BELOW THE BOTTOM OF THE ROPE LADDER SUPPORT. SLIDE EACH ROPE THROUGH THE HOLES IN ONE ROPE LADDER STEP. SLIDE THE STEP UP AGAINST THE BOTTOM OF THE KNOTS.

3: TIE TWO THUMB KNOTS BELOW THE ROPE LADDER STEP.

4: SPACE THE ROPE LADDER STEPS 11-1/2 INCHES APART. TIE TWO THUMB KNOTS BELOW THE SECOND LADDER STEP.

5: REPEAT SUBSTEP 4 FOR THE REMAINING LADDER STEPS.

6: THREAD ROPES THROUGH THE HOLES IN THE ROPE LADDER RUNNER AND TIE A THUMB KNOT. GRAB EACH ROPE AND ATTEMPT TO WRAP IT AROUND YOUR HAND. IF THE ROPE WRAPS AROUND YOUR HAND IT IS TOO LOOSE. IF THE ROPE IS TOO LOOSE UNTIE THE KNOT BEHIND THE ROPE LADDER RUNNER AND RETIE IT UNTIL YOU CAN NO LONGER WRAP THE ROPE AROUND YOUR HAND. TIE THUMB KNOTS IN THE ROPE UNTIL ALL OF IT IS USED.



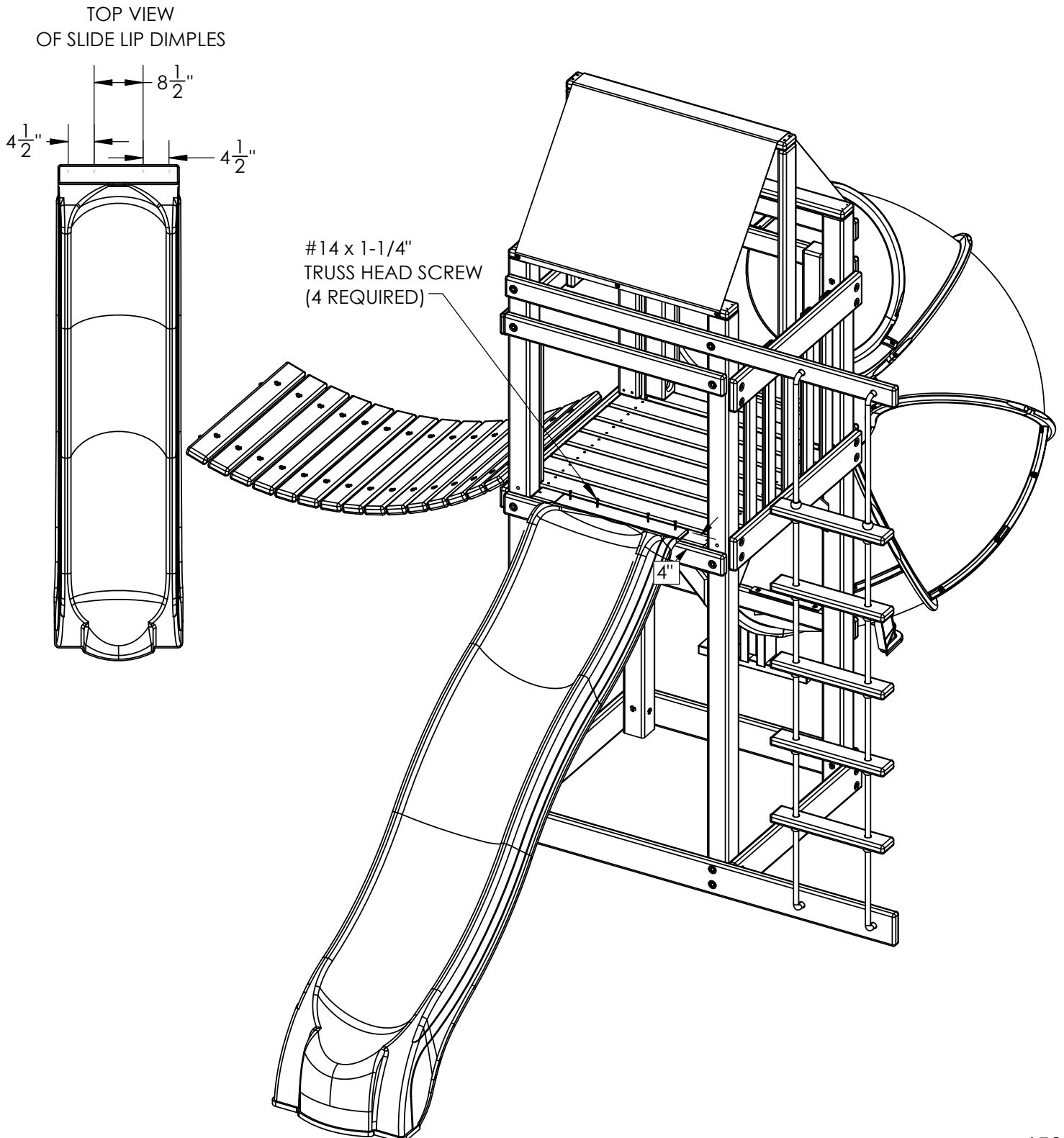


## STEP 35: SLIDE

1: PLACE THE SLIDE ON TOP OF THE DECK SPACER WITH THE LIP OVERHANGING ONTO THE DECK SPACER BY 4" AS SHOWN. CENTER THE SLIDE SIDE TO SIDE WITHIN THE OPENING.

2: PREDRILL 1/8" HOLES INTO THE DECK SPACER THROUGH THE SLIDE LIP DIMPLES SHOWN BELOW ABOUT 3/4" DEEP INTO THE WOOD.

3: INSTALL A #14 X 1-1/4" TRUSS HEAD SCREW AT EACH HOLE.



### Leftover Parts List 1155 Play Set – Build Option B

Our play sets are modular and use parts boxes to construct many different models. Some of these parts included with your play set will not be used because they are for a different model or build option. The list below includes parts for your play set that will be leftover when construction is completed.

#### **Parts from boxes 1150**

1 piece 1150AH Slide Block

1 piece 1150Q Rope Ladder Runner

#### **Parts from box 1155**

1 piece 1155D Top Panel Board

#### **Parts from box 1509N**

1 piece 4-4-2900-CP Center Post

6 pieces 125-3-2850-PS Panel Slat

# APPENDIX

# (06-2004) - 1155 Clatter Bridge Mesh Panels

## Tools Required:

#2 Phillips Bit or screwdriver  
1/8" drill bit  
Pencil  
Drill

## Kit Contents:

2 - Green Mesh Panels 66" x 24"  
44 - Phillips Pan Head Screws  
5.5mm x 25.4mm long  
44 - Washers 16mm O.D. X 7.1mm I.D.

1) Center the mesh on the inside of the lower clatter bridge rail. The bottom of the mesh border should be flush to the bottom of the clatter bridge rail. If you wish you may mark through the center of the grommets and then drill a 1/8" pilot hole by 1" deep before installing the pan head screws.

2) Stretch the top border of the mesh to make it centered. Start at the middle grommet to install screws and work from the center to the left and right.

The "recessed area" in the grommet will receive the washer. Place a pan head screw through a washer. Place the screw centered through the grommet and drive it in. The washer should seat centered with the grommet. At the end grommets you will have to drop down some to avoid the counterbore in the bridge rail. Repeat this process for all the grommets across the top of the mesh.

3) Repeat substeps 1 through 3 for the mesh panel on the lower bridge rail on the opposite side.

THIS GROMMET SHOULD BE DROPPED DOWN ON EACH END TO AVOID THE COUNTERBORED HOLE IN THE BRIDGE RAIL.

TWO GROMMETS AT END OF MESH.



CENTER THE MESH PANEL ON THE CLATTER BRIDGE RAIL ON THE INSIDE. NOTE THE GROMMETS HAVE A RECESSED PART ON ONE SIDE AND IT SHOULD FACE YOU.

YOU MAY PRE-DRILL 1/8" X 1" DEEP HOLES AT EACH GROMMET LOCATION ALONG THE TOP PRIOR TO INSTALLING THE PAN HEAD SCREWS AND WASHERS PROVIDED.

**\*\*IMPORTANT\*\* - Teach your children not to climb onto or hang from the mesh panels. If the mesh ever becomes ripped please replace the damaged panel(s).**

**\*\*FOR AGES 3-11\*\*  
\*\*FOR RESIDENTIAL USE ONLY\*\***



4) It will be very helpful to have an assistant at this stage. We recommend predrilling holes for the screws in the top of the deck boards. Align the edge of the mesh border with the ends of the bridge deck boards. Mark through the center grommet onto the deck board. Move the mesh away. Drill a 1/8" hole by 1" deep. Install a pan head screw and washer into the hole. Go from the center grommet to one end of the mesh and repeat the mark/drill/install fasteners procedure. Then go to the other side and do the same procedure.



MARK THROUGH THE CENTER OF THE CENTER GROMMET ONTO THE MIDDLE DECK BOARD. DRILL A 1/8" X 1" DEEP HOLE AT THE MARK. PLACE A PAN HEAD SCREW THROUGH A WASHER AND INSTALL INTO THE HOLE. TRY TO CENTER THE WASHER ONTO THE GROMMET BEFORE TIGHTENING COMPLETELY.

ALIGN EDGE OF BORDER ON TOP OF THE DECK WITH THE ENDS OF THE 2 X 4 BRIDGE DECK BOARDS.



Example picture of the completed Clatter Bridge Mesh Panels.