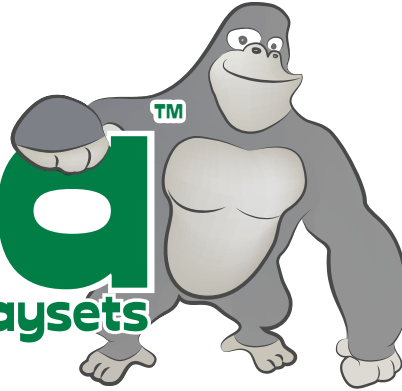


gorilla

playsets



High Point Deluxe

Model: 1100W

(BOXES: 1100-1, 1100-2, 1103,
1100 Swing Beam/Swing Leg
box, & Slide Box)

Copyright © 2017 Gorilla Playsets
All Rights Reserved



51-0085-W

190 Etowah Industrial Court
Canton, GA 30114

www.gorillaplaysets.com



Please inspect and inventory all parts immediately upon accepting delivery. Use the inventory pages in the manual to make sure you have received all necessary parts. The quickest method to get any parts that are missing or damaged is to use our “Quick Response Center” located at:

www.gorillaplaysets.com/support

DO NOT RETURN THIS PRODUCT TO THE RETAILER OR CONTACT THE RETAILER DIRECTLY. THE RETAILER DOES NOT STOCK COMPONENTS.

PLEASE RETAIN ALL INSTRUCTIONS FOR FUTURE REFERENCE. KEEP THEM IN A SAFE PLACE WHERE YOU CAN REFER TO THEM AS NEEDED. CHECK FOR REVISED INSTRUCTIONS AT:

www.gorillaplaysets.com/manuals

GORILLA PLAYSETS WARRANTY – 2017

Gorilla Playsets® (“Gorilla”) warrants its play sets to be free from defects in workmanship and materials, under normal use and conditions, for 10 years for above ground structural wood components and for one year for all other components (e.g., swings, hardware, plastics, tarps, rope ladder, etc.).

Gorilla warrants all remaining products, including but not limited to its, Malibu Playhouse, Free Standing Swing Set, Free Standing Tire Swing, See-Saw, Children’s Picnic Table with Umbrella, Play-Zee-Bo™, Cedar Toy Chest, Interlocking Sandbox and spring riders to be free from defects in workmanship and materials, under normal use and conditions, for a period of 1 year.

Cosmetic imperfections and natural tendencies of wood such as peeling, splintering, warping, seasonal checking or cracking, knots or knot holes, etc. are normal characteristics of all outdoor wooden play equipment and are not covered by this warranty. Checks or cracks in wood components that do not affect the intended function of the part, piece or overall swing set are not covered under this warranty.

Wood rot or decay that develops because the product was installed in an area with poor drainage is not covered under this warranty. Lumber that has been damaged by wood boring bees, or conditions that develop as a result of faulty or improper installation of the product, are not covered by this warranty. Fading of stain, discoloration or mold on any wood part or accessory is not covered by this warranty. Cracks in plastic components, surface rust on hardware and chips on powder coated materials are not considered defects in material as long as they do not affect the functionality or structural integrity of the part or component.

It is the owner’s responsibility to maintain the swing set. **This includes but is not limited to staining and sealing the lumber as needed and regular inspection to be sure all hardware is tight.** Instructions for proper maintenance can be found on Gorilla’s website. Imperfections or conditions that develop because of a failure to properly maintain the swing set are not covered by this warranty.

Gorilla will, at its discretion, replace any above ground part within the stated warranty period that is defective in workmanship or materials. This decision is subject to verification of the defect, which, at Gorilla’s discretion, may be accomplished by submitting photographs or by delivery of the defective part to Gorilla Playsets • 190 Etowah Industrial Ct. • Canton, GA 30114 • 1-800-882-0272 Monday to Friday 9AM-5PM EST. Any warranty claim must include proof of purchase, including the date of purchase. **In addition, within the first 30 days from the date of purchase, Gorilla will replace any parts discovered to be missing from or damaged in the original packaging.**

This warranty is valid only if the product is used for the purpose for which it was designed and installed at a residential, single-family dwelling. This warranty is void if the product is used in a commercial, institutional or multi-family setting. **This warranty does not cover normal wear and tear or (a) products that have been damaged by acts of God and/or nature, negligence, misuse or accident; (b) products that have been modified or repaired by unauthorized persons; (c) the cost of labor; or (d) the cost of shipping any replacement product or part.**

GORILLA DISCLAIMS ALL OTHER REPRESENTATIONS AND WARRANTIES OF ANY KIND, EXPRESSED, IMPLIED, STATUTORY OR OTHERWISE, INCLUDING THE IMPLIED WARRANTIES OF MERCHANTABILITY AND FITNESS FOR A PARTICULAR PURPOSE. GORILLA WILL NOT BE LIABLE FOR ANY INCIDENTAL OR CONSEQUENTIAL DAMAGES. This warranty is non-transferable and does not extend to the owners of the product subsequent to the original purchaser. Some states do not allow limitations on implied warranties or exclusion of incidental or consequential damages, so these restrictions may not be applicable to you. This warranty gives you specific legal rights. You may also have other rights which vary from state to state.

IMPORTANT SAFETY GUIDELINES

This product is recommended for use by children ages 3-11. This product is intended for residential use only and not intended for use in any public setting. A safety surface such as mulch or recycled tire should be used under the play set to prevent injury from falls. Also a 6 foot safety zone should be used around the entire play set.

As with any home project, good judgment and respect for power tools will greatly reduce the risk of injury. Gorilla recommends you follow all tool manufacturers' safety guidelines. Always wear eye protection and safety gloves to prevent injury. In several phases of construction two people may be required for lifting and securing of lumber. While the play set is being constructed, please keep children off the equipment until the project is complete. Bolts and screw heads should be checked regularly for tightness. The ground ladder, rope ladder, slide, swings and other areas where children spend a majority of their playtime should be checked more frequently.

Gorilla shall not be liable for incidental, indirect or consequential damages or injuries that result from building and/or playing on our play sets. Adult supervision is recommended anytime a play set is being used.

WEIGHT LIMITS FOR GORILLA PLAYSETS

- FORT PLATFORMS: 800 LBS. TOTAL WEIGHT
- SWING BELT: 225 LBS.
- TANDEM SWINGS: 70 LBS. PER CHILD. UP TO 140 LBS. TOTAL WEIGHT.
- TRAPEZE: 125 LBS.
- FULL BUCKET SWING/ HALF BUCKET SWING: 50 LBS.
- HEAVY DUTY TODDLER BUCKET SWING: 85 LBS.
- INFANT SWING: 35 LBS.
- TIRE SWING: 125 LBS. TOTAL WEIGHT
- ROPE LADDER: 75 LBS.
- ROCK WALL: 150 LBS.
- CLIMBING RAMP: 150 LBS.
- MONKEY BARS: 175 LBS.
- ALL SLIDES: 150 LBS.

Gorilla recommends that the weight limits for all components must not be exceeded. Failure to adhere to these and other safety guidelines could result in damage to the play set and injury to the users.

PRODUCT REGISTRATION

- HIGH POINT DELUXE -

Gorilla Playsets™ manufactures the finest quality products that are designed for outstanding strength and durability. We back our products with unparalleled warranties. In the unlikely event that you need to contact us about covered repairs, we must have a valid Product Registration on file.

3 EASY WAYS TO REGISTER	
OPTION 1	Complete the online registration form at: http://www.gorillaplaysets.com/register
OPTION 2	Fax this completed form to: (678) 880-3300
OPTION 3	Mail this completed form to: Gorilla Playsets 190 Etowah Industrial Court Canton, GA 30114

Where did you buy this product?

Date of Purchase _____

Store _____

Store City _____

Store State _____

Your registration information:

Name: _____ Email: _____

Address: _____

Street

City

State

Zip

Please select your age 18-30 41-50
 31-40 51+
How old are your children? 2-3 6-7
 4-5 8+
Number of children

How would you rate the quality of this product?
 ★★★★★ Excellent
 ★★★★ Above Average
 ★★★ Average
 ★★ Below Average
 ★ Poor

Would you recommend this product to friends & family? Yes No

May we add you to our mailing list? Yes No

May we use your comments on websites or other marketing materials? Yes No

Comments: _____

THIS PAGE INTENTIONALLY LEFT BLANK

IMPORTANT – PLEASE READ

Congratulations! You have just purchase one of the finest residential wooden swing sets available today. As with any wooden product that spends its entire life outside, in varying elements, it is important to know what to expect with your new swing set so that your family can enjoy it for many years.

As your swing set acclimates to its new environment, natural characteristics of the wood can show in the form of checks, or “cracks” in the lumber. In almost all cases this is normal and it will not affect the structural integrity of your play set and is not covered under warranty.

KEEPING YOUR PLAYSET LIKE NEW

MUST DO's

The following owner responsibilities are crucial to the safety, integrity and aesthetic appeal of your swing set and may affect the warranty if not adhered to.

WITHIN 60 DAYS

- Check and tighten Hex Bolts/T-nuts, Carriage Bolts/Lock-nuts, and Lag Screws within the first 60 days and then twice annually – once before each season and then once during the season.

WITHIN 90 DAYS

- Apply a **sealant** or **semi-transparent stain with sealant** within the first 90 days of owning the swing set. Our own Stain/sealant is available online here: <http://www.gorillaplaysets.com/Playground-Sealant-p/10-0003.htm>

Oil based stain or water based stain may be used. Should you choose to use other stain we suggest asking the product covering specialists at any number of specialty paint stores or home improvement centers for a product that would work best for your local environment. ** TIP – while the set is new, take a small board from the store with you so they can color match the tint of the stain or sealant.

SEASONAL REMINDERS

- If your area experiences regular snowfall, remove your fabric tarp/canopy to avoid stretching, sagging or tearing of the material. Store it inside, folded up, and it will be as good as new when winter is over.
- If your area experiences extremely cold temperatures, remove swing belts and other pliable features to prolong the lifespan of these play activities.

OTHER TIPS

- Spray swing hangers with Pam, Mazola or olive oil to stop squeaking; do not use petroleum based products such as WD-40 or motor oil.
- To repel yellow jackets and wasps, use a cotton ball and dab interior wooden corners underneath the play set deck with a liquid dish soap. Avoid using insecticides.
- To speed up the slide wipe the center of slide with wax paper every 2 - 3 weeks.

For additional safety and maintenance guidelines, please visit our website.



IMPORTANT DOCUMENTS

CUSTOMER MUST READ AND RETAIN

Please go to the following links and read important **SAFETY** information prior to using your new play structure.

<http://www.gorillaplaysets.com/Swing-Set-Safety-s/85.htm>

<https://www.gorillaplaysets.com/Maintenance-s/129.htm>

<http://www.gorillaplaysets.com/manuals.html> (Click on your specific model)

<http://www.gorillaplaysets.com/Warranty-s/82.htm>

NOTE: Your children's safety is our #1 concern. Observing the following statements and warnings reduces the likelihood of serious injury. Please review these safety rules regularly with your children.

WARNING:

Children must NOT use this play set until it has been completely assembled and inspected by an adult to ensure it has been properly installed.

Gorilla Playsets
190 Etowah Industrial Court
Canton, GA. 30114



Model: 1100W

(BOXES: 1100-1, 1100-2, 1103,
1100 Swing Beam/Swing Leg
Box & Slide Box)

REV: 3.10.2017

TABLE OF CONTENTS

Safety Guidelines.....	Pages 3-6
Leveling Fort, General Information and Definitions.....	Pages 6-8
How to Install T-nuts, Board Identification, Predrill Lag Screw Directions and Swing Beam Loading.....	Pages 9-13
Site Plan, Required Tool List and Kit Contents.....	Pages 14-15
Hardware, Lumber and Accessory Checklists.....	Pages 16-27
Ladder.....	Steps 1-4
Rock Wall.....	Steps 5-7
Outer and Inner Fort Supports.....	Steps 8-9
Corner Posts.....	Steps 10-11
Swing Beam Side Rail and Side Rails.....	Steps 12-14
Rope ladder Support and Rock Wall Rope Support.....	Step 15
Leveling Play Set and Installing Lag Screws.....	Step 16
Rock Wall Boards, Tarp Boards and Deck Boards.....	Steps 17-19
Rear Bottom Panel Board, Center Posts and Center Tarp Board.....	Steps 20-22
Panel Slats and Center Deck Support.....	Steps 23-25
Swing Beam Assembly.....	Steps 26-32
Rock Wall Rocks, Climbing Rope and Rope Ladder.....	Steps 33-35
Mounting Slide.....	Step 36
Wood Roof Assembly.....	Steps 37-42
Telescope, Safety Handles and Hanging Swings.....	Steps 43-45
Punching Ball and Tic Tac Toe.....	Steps 46-47
Flag Kit and Name Plate.....	Step 48
Ground Stakes.....	Step 49

**PLEASE READ OWNER'S MANUAL CAREFULLY
BEFORE STARTING ASSEMBLY!**

Safety and Maintenance Tips for Your New Play Set:

NOTE: Your children's safety is our #1 concern. Observing the following statements and warnings reduces the likelihood of serious or fatal injury. Please review these safety rules regularly with your children.

- This play set is designed for the use of 4 occupants who have a combined weight not exceeding 800 pounds on the elevated floor, 3 occupants who have a combined weight of 425 pounds on the swing area, for a total Unit capacity of 7 occupants who have a combined weight of 1225. (This weight does not include any picnic table area(s).)
- On-site adult supervision is required.
- Teach children not to walk close to, in front of, behind, or between moving swings or other moving playground equipment.
- Teach children to sit in and never stand on swings
- Teach children not to twist the chains and ropes and not to loop them over the swing beam, since this may reduce the strength of the chain or rope.
- Teach children not to jump from swings or other playground equipment in motion.
- Teach children not to push empty seats. The seat may hit them and cause serious injury.
- Teach children to sit in the center of the swings with their full weight on the seats.
- Teach children not to use the equipment in a manner other than intended.
- Teach children to always go down slides feet first. Never slide headfirst.
- Teach children to look before they slide to make sure no one is at the bottom.
- Teach children to never run up a slide, as this increases their chances of falling.
- The parents should have the children dress appropriately with well-fitting shoes. Loose clothing such as scarves and ponchos should not be worn. Always take off, tie up or tuck in cords and drawstrings on children's clothing. These things can get caught on playground equipment and strangle a child.
- Teach children not to climb when the equipment is wet.
- Teach children to never jump from a fort deck. They should always use the ladder, ramp or slide.
- Teach children to never crawl or walk across the top of monkey bars or swing beam.
- Teach children to never crawl on top of a fort roof or on the outside of a tube slide.
- Verify that any suspended climbing ropes, chains, or cables are secured at both ends and that they cannot be looped around an adult hand.
- Teach children not to attach items to the playground equipment that are not specifically designed for use with the equipment, such as, but not limited to, jump ropes, clothesline, pet leashes, cables and chain as they may cause a strangulation hazard.
- Teach children to never wrap their legs around swing chain.
- Teach children to never slide down the swing chain.
- Teach children to remove their bike or other sports helmet before playing on the playground equipment.
- Teach children to NEVER look at the sun or other bright light through any accessory such as but not limited to a telescope, periscope or binoculars.

WARNING: Children must NOT use this play set until it has been completely assembled and inspected by an adult to insure it has been properly installed and the swing beam legs are anchored.

Safety and Maintenance Tips for Your New Play Set: (continued)

Playgrounds should be inspected on a regular basis. If any of the following conditions are noted, they should be removed, corrected, or repaired immediately to prevent injuries.

- Hardware that is loose, worn or that has protrusions or projections.
- Exposed equipment footings.
- Scattered debris, litter, rocks, or tree roots.
- Splinters, large cracks, and decayed wood components.
- Deterioration and corrosion on structural components, which connect to the ground.
- Missing or damaged equipment components, such as handholds, guardrails, swing seats.
- Check all nuts and bolts twice monthly during the usage season and tighten as required. (But not so tight that you crack the wood) We recommend you check the swing beam and hardware often due to wood expansion and contraction. It is particularly important that this procedure be followed at the beginning of each season.
- Remove plastic swing seats and take indoors or do not use when the temperature drops below 32°F. Reinstall swings and other swing equipment at the beginning of the usage season.
- Oil all metallic moving parts monthly during the usage period.
- Check all coverings for bolts and sharp edges twice monthly during usage season to be certain they are in place. Replace when necessary. It is especially important to do this at the beginning of each new season.
- Check swing seats, ropes, cables and chains monthly during usage season for evidence of deterioration. Replacement should be made of any swing seat that has developed cracks in the plastic seats. Ropes, cables and chains should be removed and replaced if excessive wear is found. Contact us for warranted replacement parts.
- Swing chains, rings, ropes, etcetera should always be fastened to a rotating swing hanger. NEVER attach a chain, ring, rope, etcetera to a stationary hanger such as but not limited to an eye bolt. Severe wear could occur leading to an injury.
- For rusted areas on metallic members such as monkey bars, hand supports brackets, etc.; sand and repaint, using a non lead-based paint meeting the requirements of Title 16 C.F.R. Part 1303. These requirements are available at: <http://www.cpsc.gov/>
- Inspect wood parts monthly. The grain of the wood sometimes will lift in the dry season causing splinters to appear. Light sanding may be necessary to maintain a safe playing environment. If you are treating your play set with stain regularly, it will help prevent severe checking/splitting and other weather damage.
- Once or twice a year, depending on your climate conditions, you must apply some type of protection (sealant) to the wood of your unit. Prior to the application of sealant, lightly sand any “rough” spots on your set. Please note this is a requirement of your warranty.
- Creating and maintaining the play set on a level location is very important. As your children play, your play set will slowly dig its way into the soil, and it is very important that it settles evenly. Make sure the play set is level and true once each year or at the beginning of each play season.
- Twice a month during the usage season rake the playground protective surfacing materials to prevent compaction and maintain appropriate depths. Replace the protective surfacing materials as required.
- Disposal Instructions: When the play set is no longer desired, it should be disassembled and disposed of in such away that no unreasonable hazards will exist at the time the play set is discarded.

Play Set Surfacing Recommendations:

Below are some of the recommendations that the U.S. Consumer Product Safety Commission (CPSC) offers from its Handbook for Public Playground Safety. The guide can be downloaded in full at www.cpsc.gov/cpscpub/pubs/325.pdf

1. Protective Surfacing - Since almost 60% of all injuries are caused by falls to the ground, protective surfacing under and around all playground equipment is the most critical safety factor on playgrounds.

Certain manufactured synthetic surfaces also are acceptable; however, test data on shock absorbing performance should be requested from the manufacturer.

Asphalt and concrete are unacceptable. They do not have any shock absorbing properties. Similarly, grass and turf should not be used. Their ability to absorb shock during a fall can be reduced considerably through wear and environmental conditions.

Certain loose-fill surfacing materials are acceptable. Surfacing materials are acceptable, such as the types and depths shown in the table.

Fall Heights and Materials

Type Of Material	6 in. depth	9 in. depth	12 in. depth
Double-Shredded bark mulch	6' Fall Height	10' Fall Height	11' Fall Height
Wood Chips	6' Fall Height	7' Fall Height	12' Fall Height
Fine Sand	5' Fall Height	5' Fall Height	9' Fall Height
Shredded Tires*	10-12' Fall Height	N/A	N/A
Fine Gravel	6' Fall Height	7' Fall Height	10' Fall Height

*This data is from tests conducted by independent testing laboratories on a 6-inch depth of uncompressed shredded tire samples produced by four manufacturers. The tests reported critical heights, which varied from 10 feet to greater than 12 feet. It is recommended that persons seeking to install shredded tires as a protective surface request test data from the supplier showing the critical height of the material when it was tested in accordance with ASTM F1292.

It should be recognized that all injuries due to falls cannot be prevented no matter what surfacing material is used.

2. Fall Zones - A fall zone, covered with a protective surfacing material, is essential under and around equipment where a child might fall. This area should be free of other equipment and obstacles onto which a child might fall. Stationary climbing equipment and slides should have a fall zone extending a Minimum of 6' in all directions from the perimeter of the equipment.

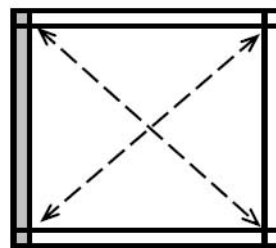
Swings should have a fall zone extending a minimum of 6' from the outer edge of the support structure on each side. The fall zone in front and back of the swing should extend out a minimum distance of twice the height of the swing as measured from the ground to the top of the swing support structure.

LEVELING YOUR FORT DURING ASSEMBLY

- Complete the steps which will be the basic frame of the fort. {i.e. four corner posts with base (sand box boards) and deck supports}
- Position in the most level area chosen for the play set, keeping in mind the location and size of the swing beam, ladder, slides, etc. that extend off the fort.
- Once the frame is in the final position, check for vertical and horizontal levelness to determine which side(s) will need to be dug into the ground to level the play set.
- With a shovel, score the ground around the outside edges of the sandbox boards on the 'high' side of the fort. This is the area that will be dug in. Make sure to score deep enough; the scored lines will be your digging template.
- Push the frame off and away from the scored area, far enough to dig and remove dirt to reach the appropriate depth.
- Dig a channel along the scored line(s) for the base of the fort (corner post and sandbox boards) to rest into. Dig the channel(s) to the same level depth. The bottom of the channel(s) should be level to each other so your frame doesn't teeter or rock because the channel(s) are uneven.
- Once you have removed enough grass and dirt, slide/push the frame into the channel(s). Place a level on the vertical and horizontal boards of the frame to determine if enough soil, or too much, was removed.
- Repeat this process until the basic frame is plumb and level and in its final position before completing the rest of the assembly.
- Measure to make sure fort is square.

Important: if you require a channel depth of more than 6", then we recommend you have your play set area professionally graded before completing assembly.

Example Play area:



The diagonal measurements should be the same from corner post to corner post. If not, adjust corner posts so that the distance is equal.

■ = Area to be scored and channeled for levelness

General Info to Review Before Installation

- Depending on your experience, assembly of the playset can take as little as 6 hours up to 24 hours, depending on size, after inventory of parts; therefore, we recommend you set aside a full two days for assembly.
- Identify all of the parts for your play set. Empty each box and lay out boards so you can see each part. Your instruction book will have detailed drawings that will make it easy for you to recognize individual parts. Keep all hardware and metal parts separate from wooden pieces.
- After everything is laid out, check carefully to ensure all parts are present. Make sure there are no broken boards.
- Find an area to sort your hardware. It is best to open the hardware on a solid surface so that you do not lose any pieces in the grass. This will save time and familiarize you with all the different pieces in the hardware bag.
- Important note: Wood has some natural defects such as knots, surface cracks, etc... We reject parts that are structurally defective. We use a high quality lumber in our structures; however, you should inspect each part for splinters or rough spots and sand them smooth to prevent injury.
- After familiarizing yourself with all of the components, read all instructions thoroughly. Reading instructions after you have studied the parts will help you understand the installation process, and help to eliminate unnecessary mistakes.
- Pay close attention to the diameter and length of each bolt and screw.
- Never tighten hardware completely at first. It helps to have some adjustment for bolt alignment while you are attaching parts together. After everything is square, tighten each joint.
- After the main unit is assembled it is critical that the floor is level and square. If the main frame is not level, the walls and floor will be out of square.
- After you complete installation, make sure every bolt, screw, and nut is tight, and every board is secure. Wood will expand and contract with the seasons.
- Place the set on level ground, not less than 6 feet from any structure or obstruction such as a fence, garage, house, overhanging branches, laundry lines, or electrical wires.

This page is a list of definitions and explanations used throughout our instructions to aid you in the assembly of your play set.

Offset Holes- Throughout the installation procedures we will refer to parts with offset holes. This refers to the orientation of the holes on the board. An offset hole is one that is closer to one side than it is the other or in other words, it is not centered on the board. In the procedures you will be instructed to attach the boards with the holes offset up or with the holes offset down. This refers to which side of the board the hole/holes should be closer to. Offset holes up= hole/holes will be closer to the top of the board. Offset holes down= hole/holes will be closer to the bottom of the board. Note: some parts do not have offset holes, but instead the holes are on center. Therefore there will not be any reference on how to offset these parts.

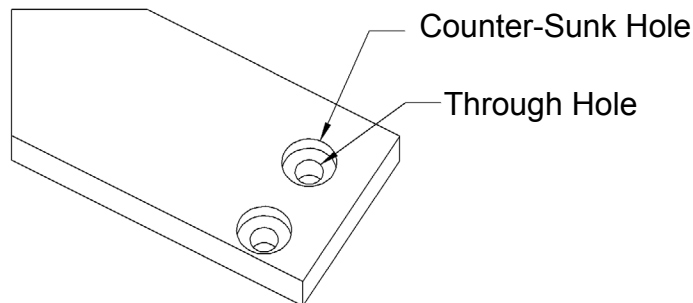
EXAMPLE OF OFFSET HOLES UP



EXAMPLE OF OFFSET HOLES DOWN



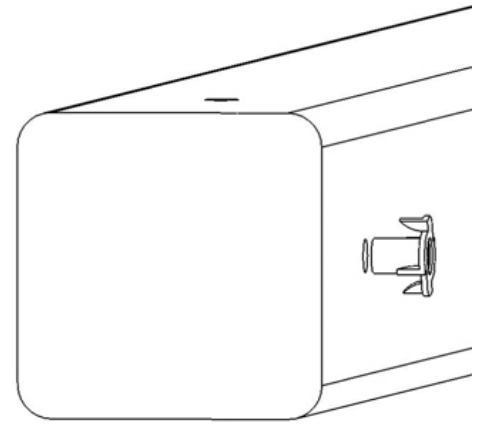
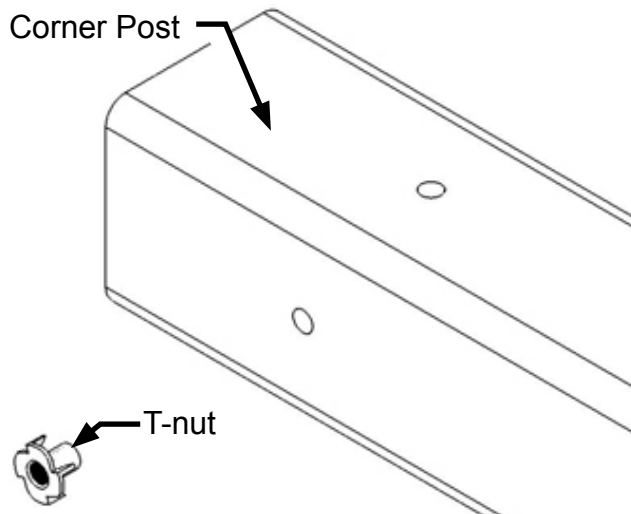
Counter-sunk holes - Many of the parts that will be used have counter-sunk holes. A counter-sunk hole is one that surrounds one side of a through hole, but does not extend through the wood it's self. When using a counter-sunk hole the bolt will be inserted through the through hole and either the head of the bolt and washer or nut and washer will occupy the counter sunk hole.



Lag Screws- Lag screws are used in the construction of our play sets to enhance the structural integrity of the unit. There will not be predrilled holes in the post for lag screw installation. Lag screws are self-tapping, though if you are using a manual socket wrench it may be advantageous to pre-drill a hole first. Instructions for this are provided on a separate page in the front of the manual. Be sure to tighten the lags completely when driving them in by hand. Power tools such as a heavy duty impact driver or large power drill should have enough torque to drive in the lag screws, but make sure not to over tighten as this can cause the threads to “strip out” in the post.

Common Installation Practice Installing T-nuts

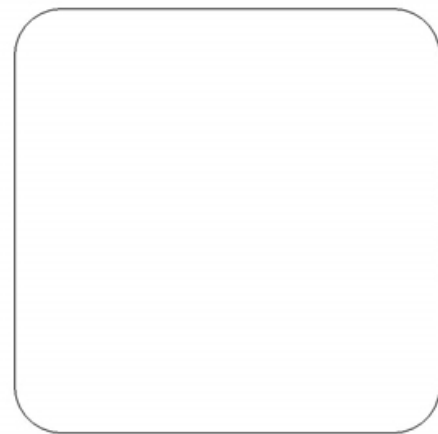
When installing T-nuts into the wood, use a smooth faced hammer to set the face of the T-nut flush into the wood.



Insert the barrel of the T-nut into the predrilled hole. Using a smooth faced hammer, drive the T-nut until the face of the T-nut is flush to the wood.

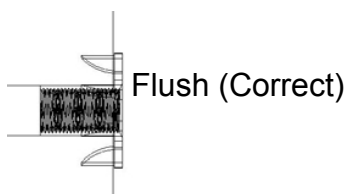


This picture shows the T-nut inserted and installed flush to the wood.



This picture shows an end view of the T-nut installed flush to the wood.

WARNING: DO NOT EMBED THE TOP OF THE T-NUT INTO THE FACE OF THE WOOD



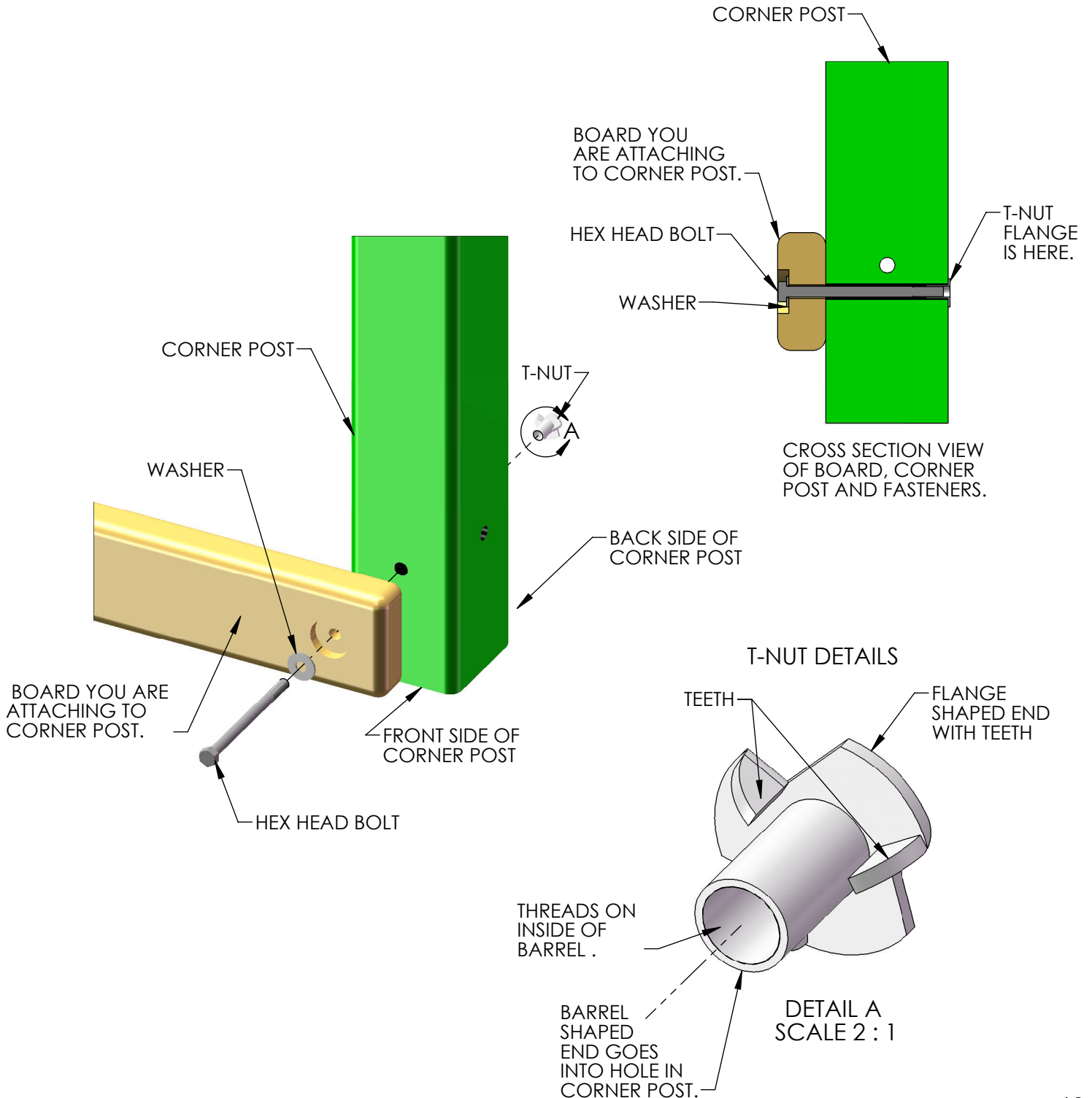
Cross Section end view, you are looking at an X-ray view of the post and T-nut. The barrel of the T-nut is in the corner post the line is the face of the wood.

HOW A T-NUT WORKS

THE FIRST STEP IN OUR ASSEMBLY INSTRUCTIONS IS TO INSERT T-NUTS INTO THE CORNER POSTS. A T-NUT IS A FASTENER WHICH IS THREADED ON THE INSIDE AND IT FUNCTIONS JUST LIKE A STANDARD HEX NUT. YOU INSERT THE T-NUTS INTO THE PREDRILLED HOLES IN THE CORNER POSTS.

THE T-NUT HAS A BARREL SHAPED END WHICH GOES INTO THE HOLE IN THE CORNER POST. THE T-NUT ALSO HAS AN FLANGE SHAPED END WITH TEETH. THE TEETH PENETRATE INTO THE CORNER POST WOOD TO PREVENT THE T-NUT FROM SPINNING WHEN YOU TIGHTEN THE HEX HEAD BOLT.

SHOWN BELOW YOU WILL SEE THE T-NUT IS HAMMERED INTO THE CORNER POST ON THE BACK SIDE. THE BOARD IS BEING ATTACHED ON THE FRONT SIDE OF THE CORNER POST.



BOARD IDENTIFICATION

1. On the end of each board there should be a small white tag that is stapled or stuck into place. Remove the staples and/or tag after the board is installed.
2. This white identification tag displays the thickness, width, length and an abbreviated description of the part.

Example: a tag reads "2-4-3600-BPB"

- The 2 is the thickness of the board. "Nominal Lumber" at a home center will measure 1-1/2" for the thickness. We "remill" that lumber to 1-3/8" thick.
- The 4 is the width of the board. "Nominal Lumber" at a home center will measure 3-1/2" for the width. We "remill" that lumber to 3-3/8" wide.
Note: sometimes the width will be smaller than 3-3/8" because:
A) We need the width of the part to fit into a certain area of the play set.
B) We need the designation to be simple.
- The 3600 is the length of the board. It means the board is 36 inches long. If the code were 3625 then the board is 36-1/4" in length.
- The "BPB" abbreviation stands for "Bottom Panel Board". The wood part bill of materials in the instructions has a description which will match the abbreviation closely.
- In the event that there is no tag on a wood part measure the part then:
A) Use the measurements and compare them to the wood list at the front of the instructions to identify it.
B) Look at the holes on the wood part and compare them to the pictures in the wood list.
C) Look to see if the holes are centered or if they are offset up or offset down.
This should help you identify any parts that have missing tags. In the event that you cannot identify a board please email us for assistance.



PRE-DRILL LAG SCREW DIRECTIONS

Pre-drilling holes for lag screws will make it easier to drive the screws in by hand. "Jobber" length drill bits are available in sizes that are longer than standard drill bits and those are ideal for the job. When using the drill bit you will have to "spot" drill the post and then remove the board you are attaching to finish drilling the hole.

Pay attention to the *DIAMETER* of the lag screw you are installing. Your playset may come with two different diameter lag screws. Each diameter will require a different size drill bit. When installing lag screws **DO NOT OVERTIGHTEN.**

LAG SCREW DIAMETER	DRILL BIT SIZE
5/16" DIAMETER	9/64"
3/8" DIAMETER	11/64"

Example: 3/8" diameter x 3-1/2" lag screw

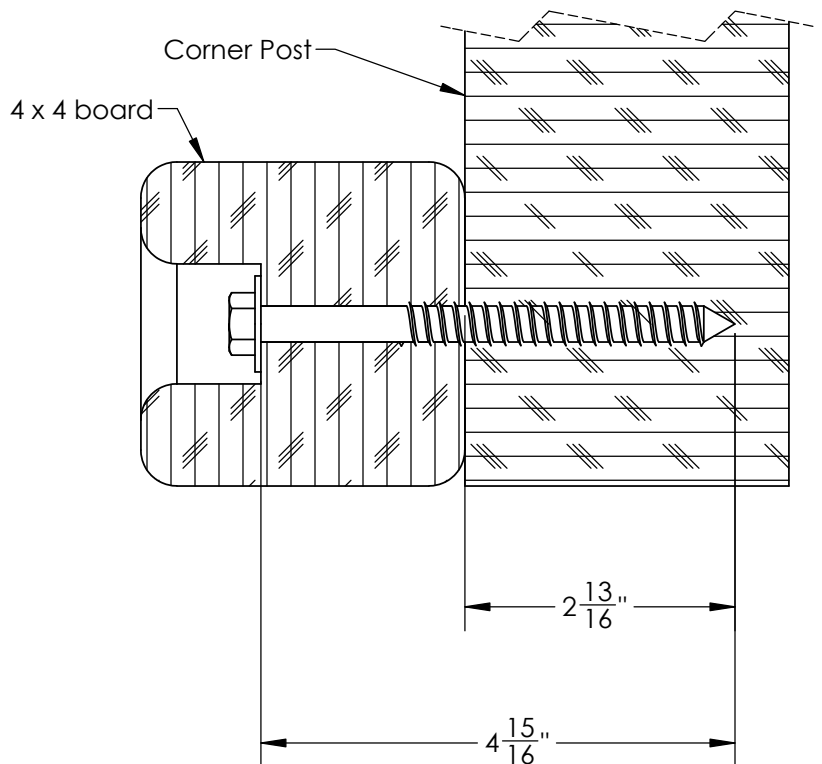
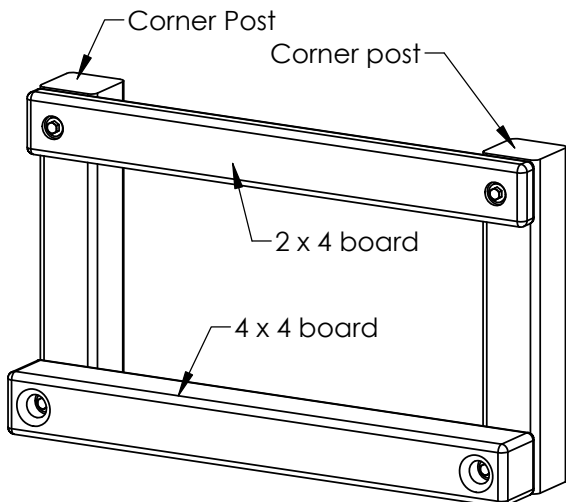
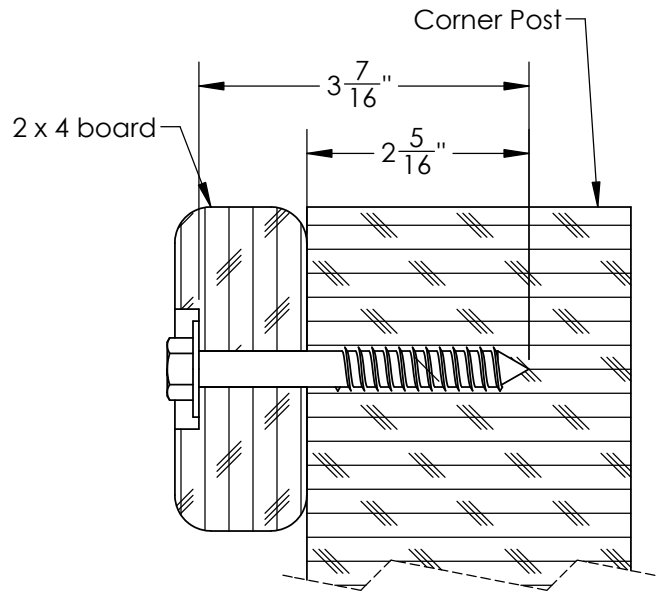
This would be like the 2 x 4 board installation shown below. Place the board into position. Spot Drill through the holes in the 2 x 4 board into the corner posts with an 11/64" drill bit. Remove the 2 x 4 board. Continue to drill the holes to a total depth of 2-5/16" as shown at the right. Install the 2 x 4 board.

Example 5/16" diameter x 3-1/2" lag screw

This would be like the 2 x 4 board installation shown below. Place the board into position. Spot Drill through the holes in the 2 x 4 board into the corner posts with an 9/64" drill bit. Remove the 2 x 4 board. Continue to drill the holes to a total depth of 2-5/16" as shown at the right. Install the 2 x 4 board.

Example 3/8" diameter x 5" lag screw

This would be like the 4 x 4 board installation shown below. Place the board into position. Spot drill through the holes in the 4 x 4 board into the corner posts with an 11/64" drill bit. Remove the 4 x 4 board. Continue to drill the holes to a total depth of 2-13/16" as shown at the right. Install the 4 x 4 board.



SWING BEAM LOADING

Weight Limits for Accessories:

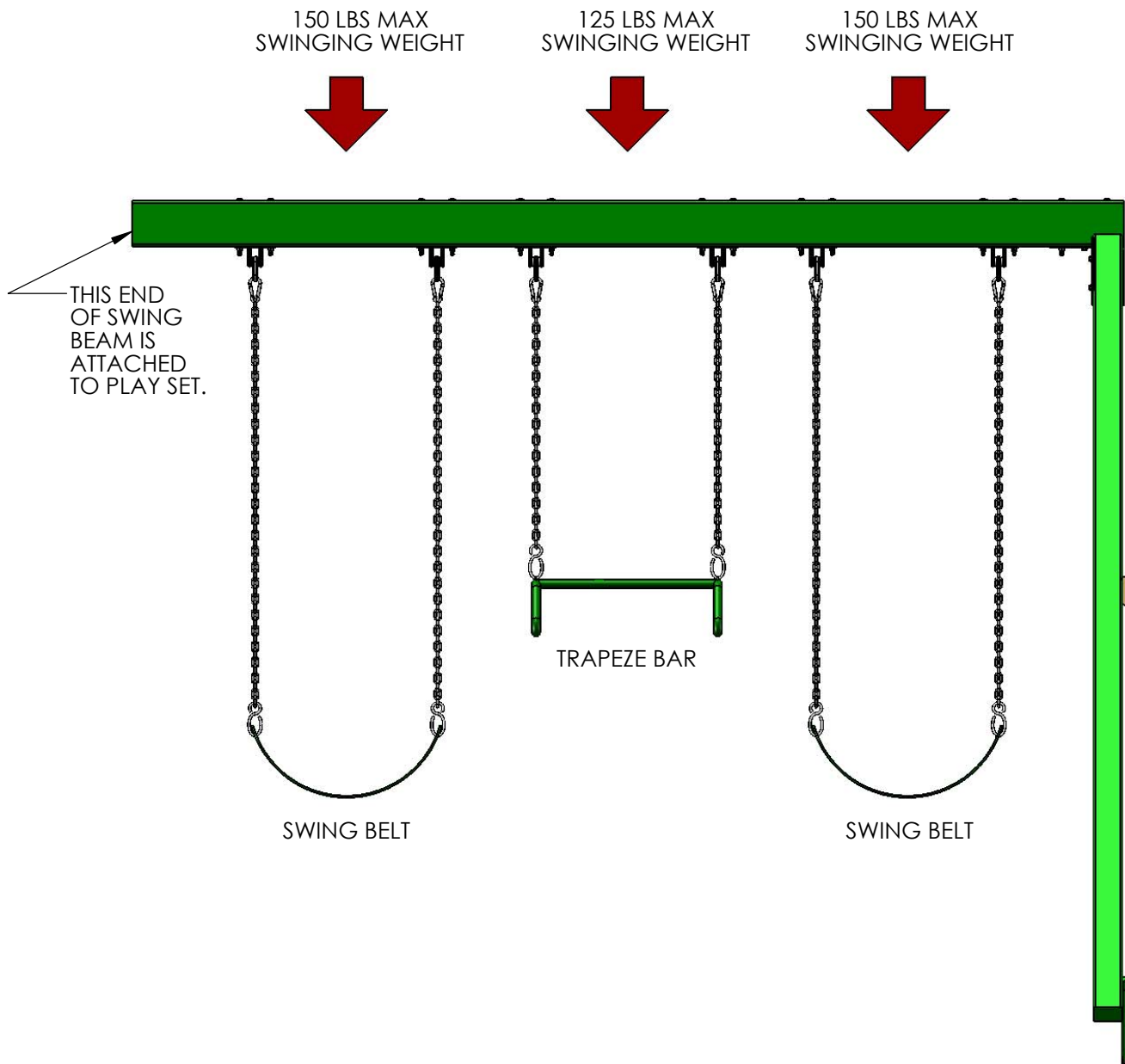
The weight limit for a Swing Belt is 225 lbs. (Although 150lbs is the maximum recommended swinging weight capacity for the swing position.)

The weight limit for a Trapeze Bar is 125 lbs.

Maximum Allowable swinging weight for a three position swing:

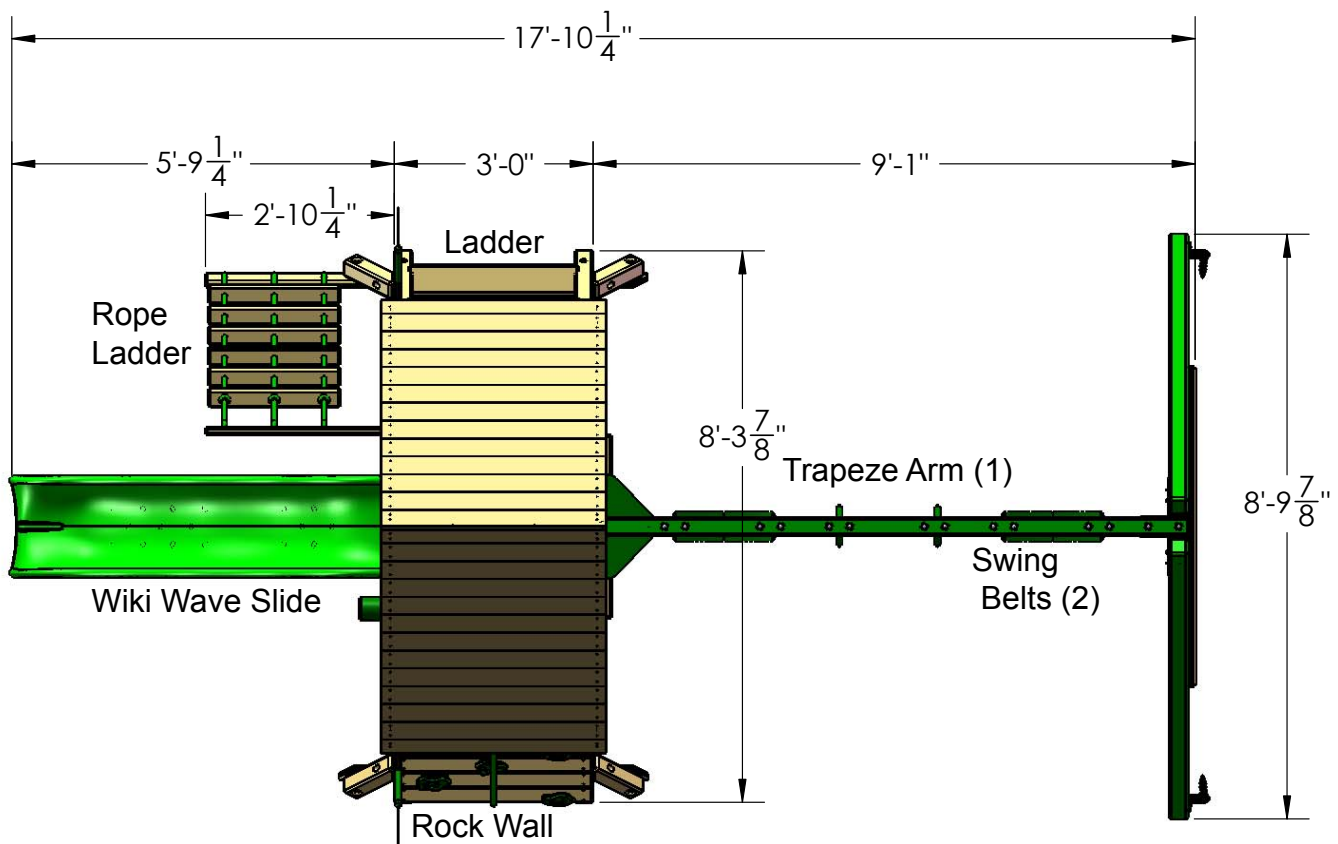
- 1) The maximum allowable swinging weight at each Swing Belt position is 150 lbs.
- 2) The maximum allowable swinging weight at the Trapeze position is 125 lbs.
- 3) The MAXIMUM SWING BEAM LOAD IS 425 lbs.

MAXIMUM SWING BEAM LOAD IS 425 LBS.



Please familiarize yourself with the manual, parts/components and general construction process of your new playset before getting started.

SITE PLAN:



Playset height: 9 feet - 4 inches

Swing Beam Height: 7 feet - 2 inches

Approximate assembly time: 6 to 10 hours

(6) foot unobstructed safety perimeter around playset recommended

REQUIRED TOOL LIST:

- ___ Standard or Cordless Drill w/ Phillips Bit (#2 square bit provided)
- ___ 1/16", 1/8", 9/64", 11/64" and 3/8" Drill Bits
- ___ 1/2" Wrench and Socket
- ___ 1/2" Deep Well Socket
- ___ 9/16" Deep Well Socket
- ___ 9/16" Wrench and Socket
- ___ Level
- ___ Tape Measure
- ___ Extension Cord (if using standard drill)
- ___ Hammer
- ___ Pencil
- ___ Locking Pliers (Vise Grips)
- ___ Shovel
- ___ Tape or Pen

KIT CONTENTS

Swings, Slides, Accessories:

- ___ (Qty) Description
- ___ (2) Swingbelt w/ Chains
- ___ (1) 8ft. Wiki Wave Slide
- ___ (10) Rock Wall Grips (assorted colors and sizes)
- ___ (1) Trapeze Swing w/Chains
- ___ (1) Telescope
- ___ (1) Punching Ball
- ___ (4) Plastic Safety Handles
- ___ (1) Tic Tac Toe Panel
- ___ (2) Flags
- ___ (2) Ground Stakes
- ___ (2) Plastic Front Arch 07-0027-G

Fort Hardware:

see following pages

Swing Beam Hardware:

see following pages

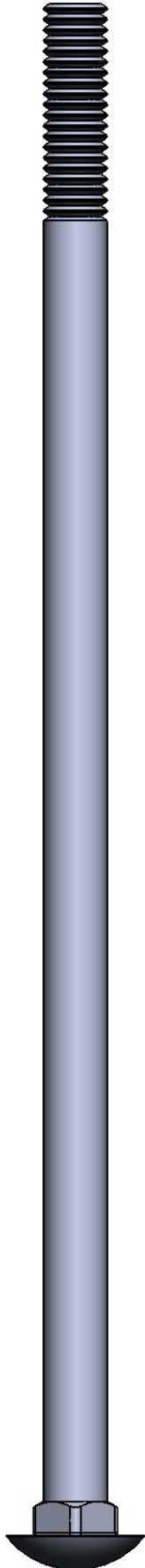
Wood Components:

see following pages

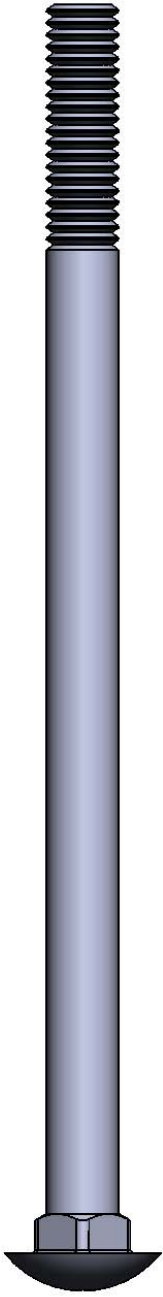
1100 HARDWARE
SHEET 1 OF 2
REVISION: C
9/16/2015 J.H.

3/8 X 3-1/2"
HEX LAG SCREW
QTY: 30

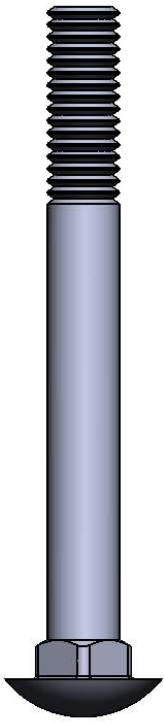
3/8" x 5"
HEX LAG
SCREW
QTY: 4



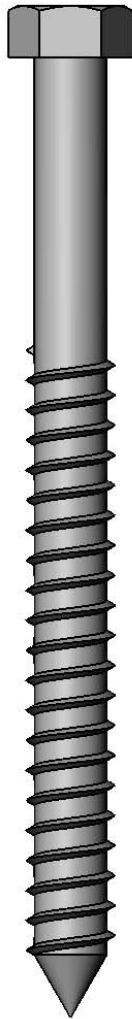
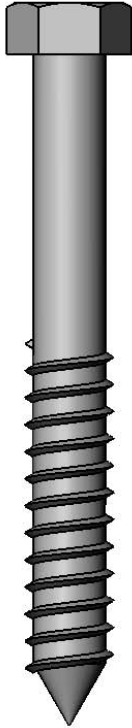
3/8 x 9"
CARRIAGE BOLT
QTY: 1



3/8 x 6-1/2"
CARRIAGE BOLT
QTY: 16



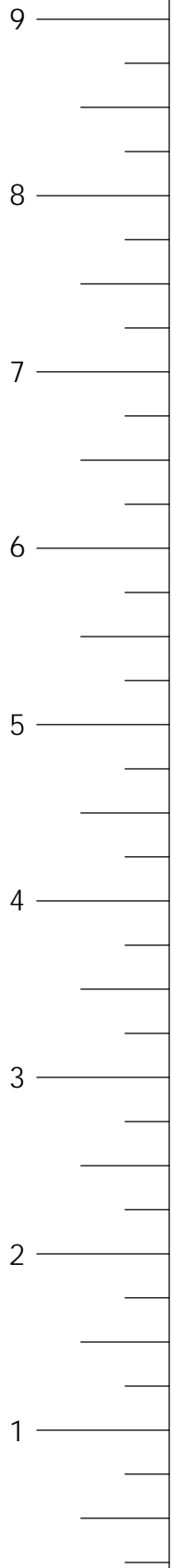
3/8 x 3-1/2"
CARRIAGE BOLT
QTY: 4



#2 SQUARE
DRIVE BIT
QTY: 1



PLASTIC
BOLT CAP
QTY: 21



USE THE RULER TO THE RIGHT TO MEASURE YOUR BOLTS AND SCREWS. PICTURE VIEWS SHOWN ABOVE ARE 1:1 SCALE AND CAN BE USED TO MATCH BOLT AND SCREW SIZES.

1100 HARDWARE
 SHEET 2 OF 2
 REVISION: C
 9/16/2015 J.H.



#14 X 1-1/4"
 PAN HEAD SCREW
 QTY: 9

#8 X 1-1/4"
 WOOD SCREW
 QTY: 2



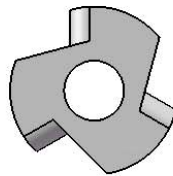
#8 X 2"
 WOOD SCREW
 QTY: 92



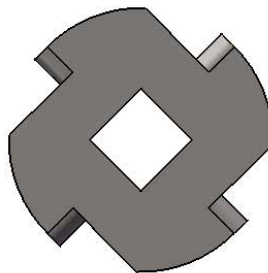
#8 X 2-1/2"
 WOOD SCREW
 QTY: 32



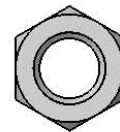
#10 X 3-1/2"
 WOOD SCREW
 QTY: 16



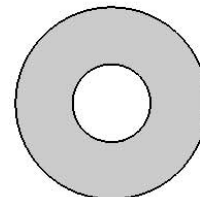
5/16" TEE NUT
 QTY: 32



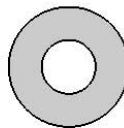
TORQUE WASHER
 QTY: 19



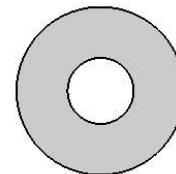
3/8" LOCK NUT
 QTY: 21



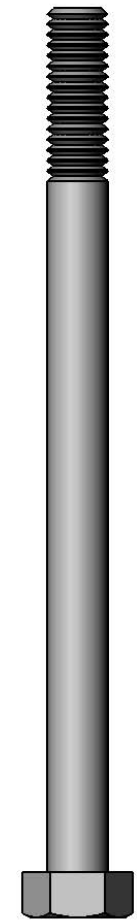
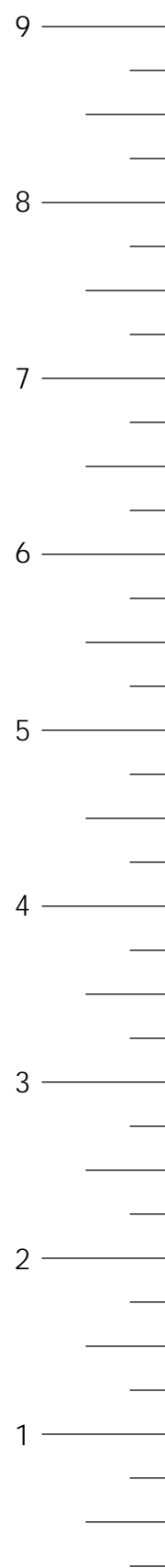
3/8" WASHER
 QTY: 57



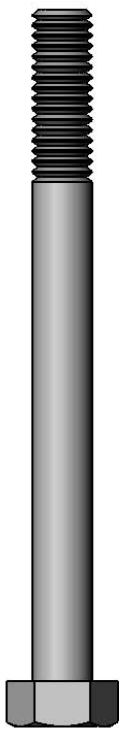
1/4"
 WASHER
 QTY: 6



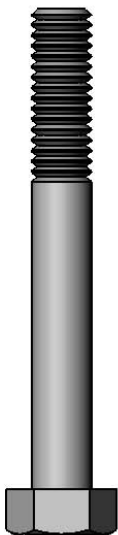
5/16" WASHER
 QTY: 38



5/16 X 4-1/2"
 HEX BOLT
 QTY: 24



5/16 X 3-1/2"
 HEX BOLT
 QTY: 4



5/16 X 2-1/2"
 HEX BOLT
 QTY: 2

USE THE RULER TO THE RIGHT TO MEASURE YOUR BOLTS AND SCREWS. PICTURE VIEWS SHOWN ABOVE ARE 1:1 SCALE AND CAN BE USED TO MATCH BOLT AND SCREW SIZES.

11-0081
1103 HARDWARE
SHEET 1 OF 1
9/28/2016 JH

#8 X 1-1/2"
WOOD SCREW
QTY: 130



#8 X 2-1/2"
WOOD SCREW
QTY: 8



#8 X 3"
WOOD SCREW
QTY: 4




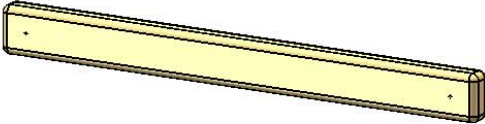
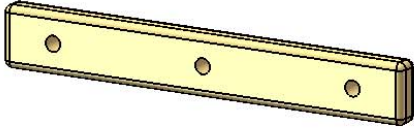
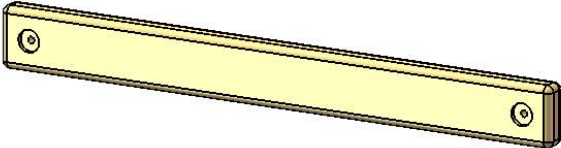
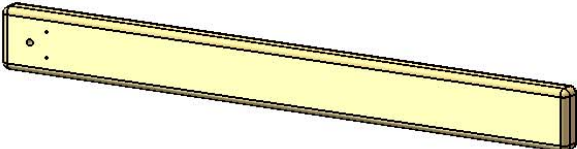
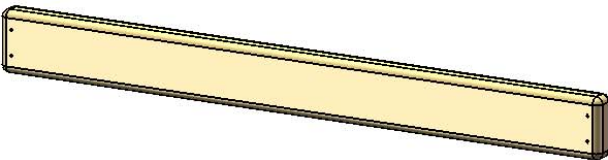
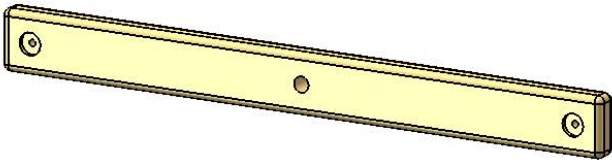
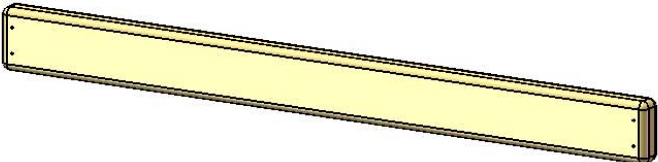
#10 X 3-1/2"
WOOD SCREW
QTY: 4

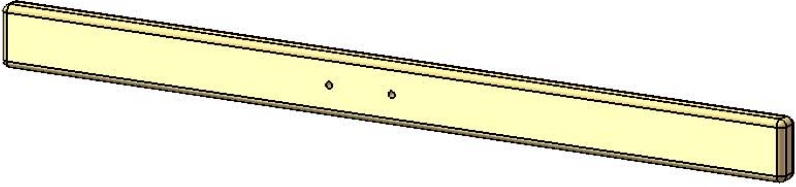
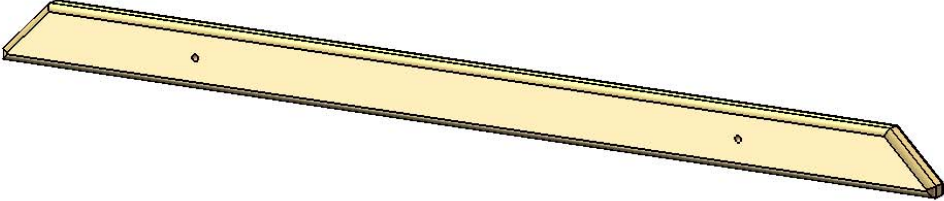
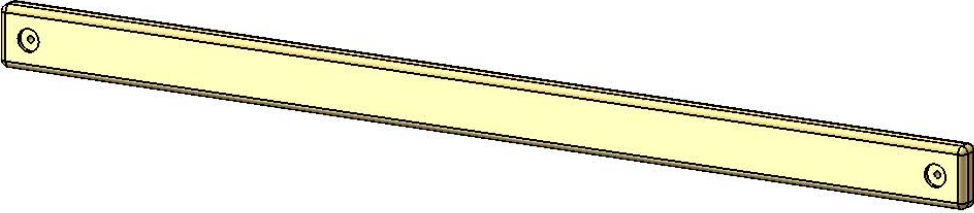
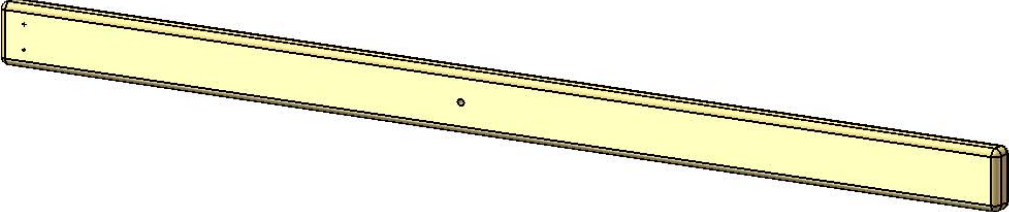
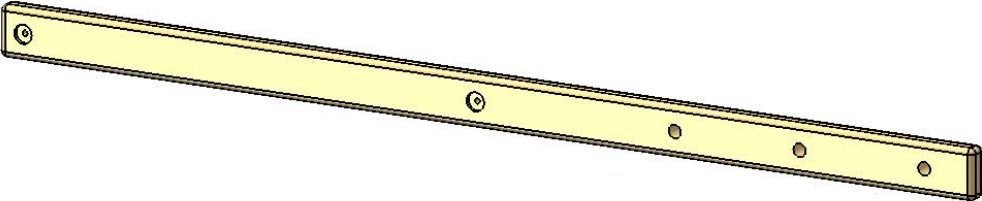
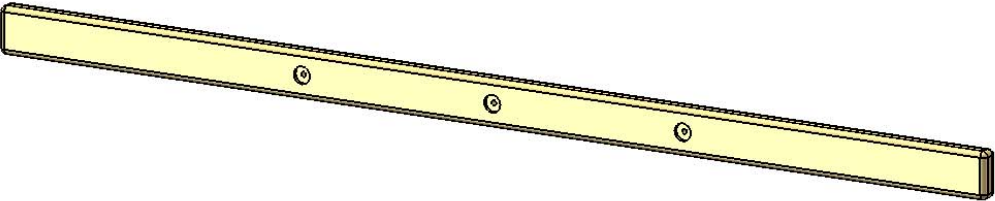
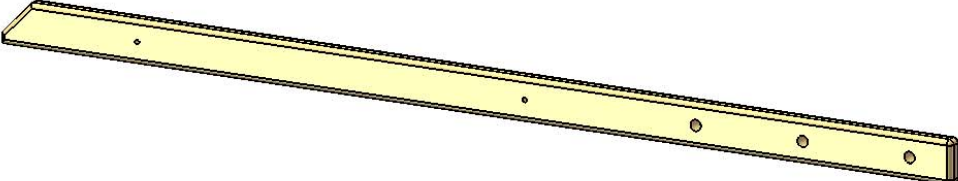


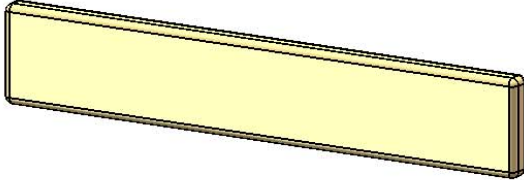
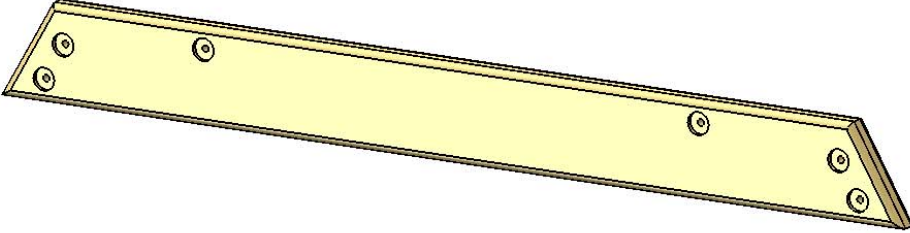
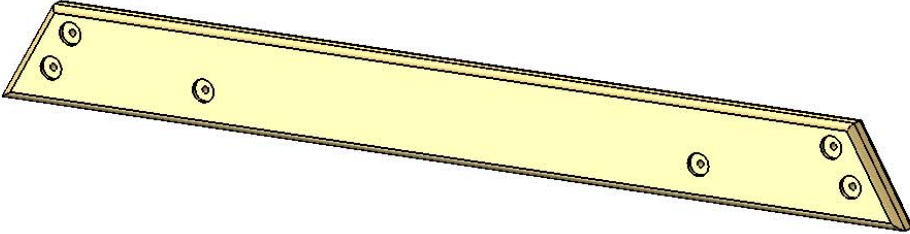
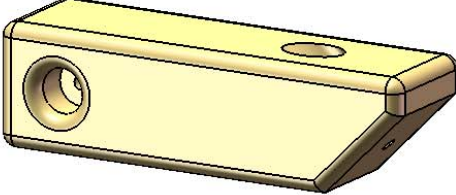
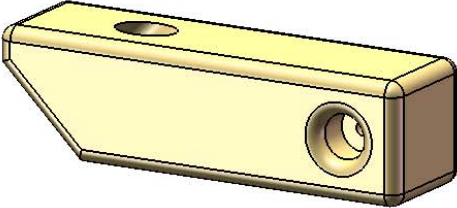
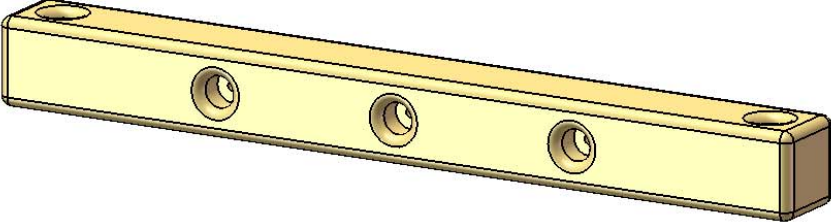
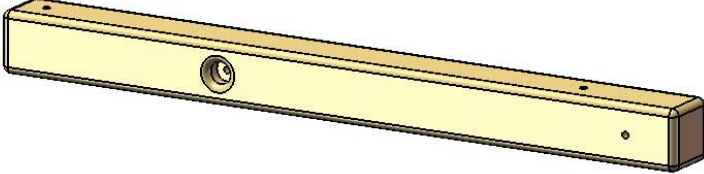
#2 SQUARE
DRIVE BIT
QTY: 1

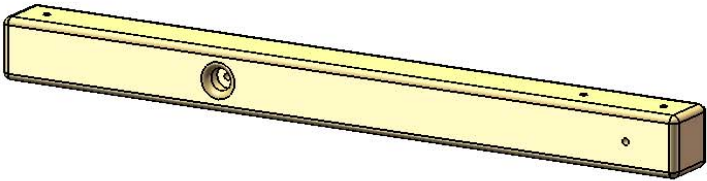
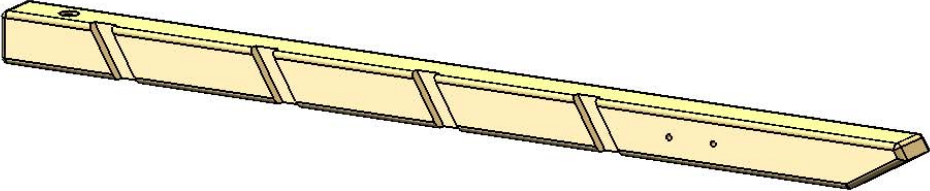
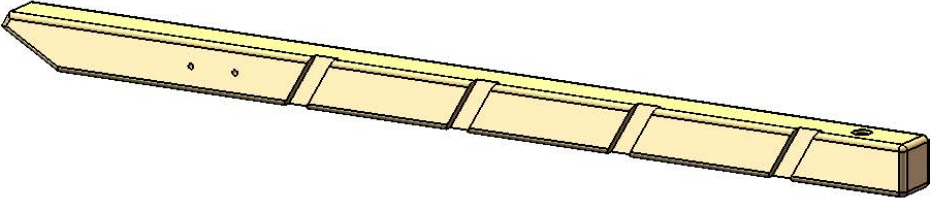
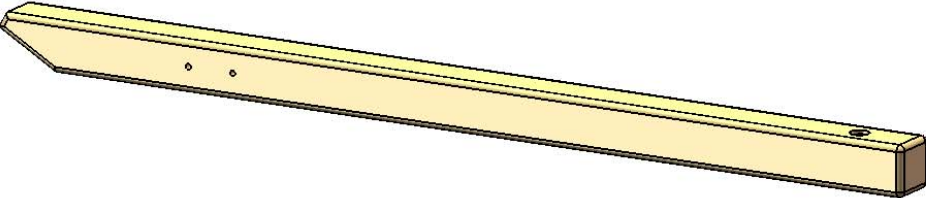
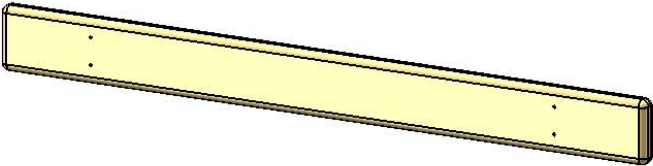
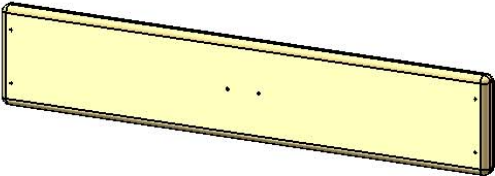
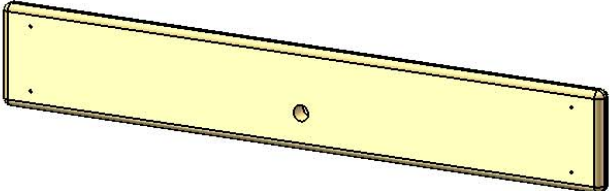
9
8
7
6
5
4
3
2
1

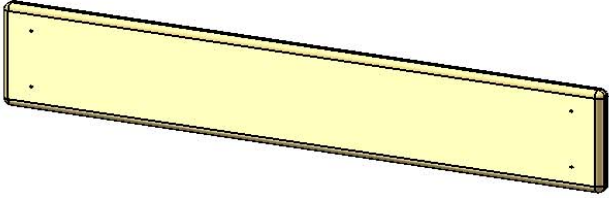
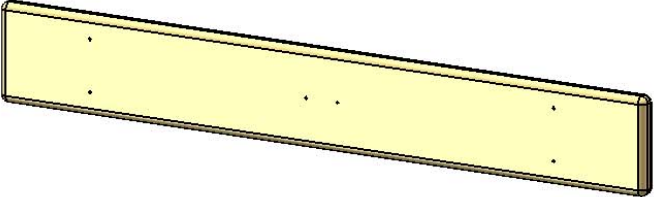
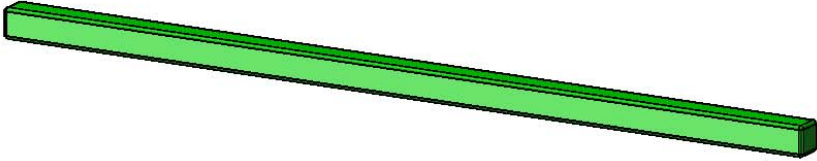
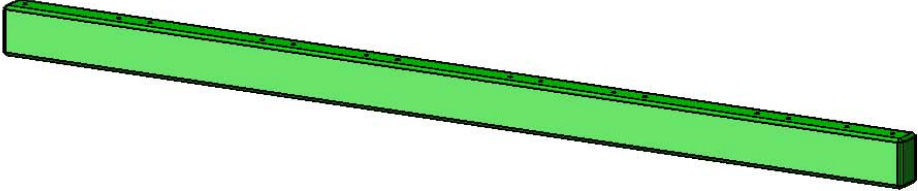
USE THE RULER TO THE RIGHT TO MEASURE YOUR BOLTS AND SCREWS. PICTURE VIEWS SHOWN ABOVE ARE 1:1 SCALE AND CAN BE USED TO MATCH BOLT AND SCREW SIZES.

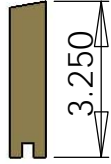
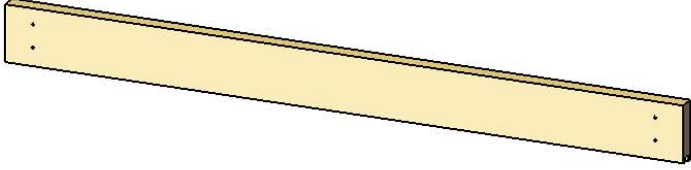

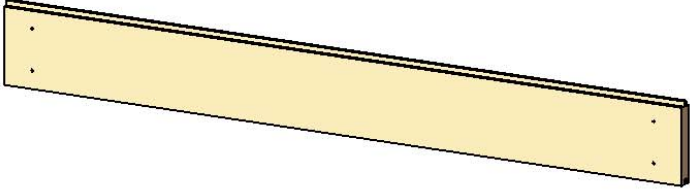
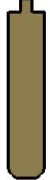
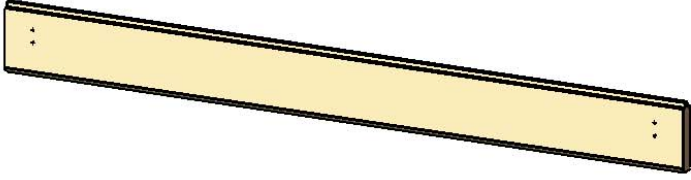
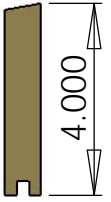
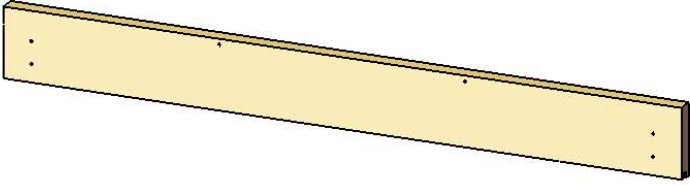
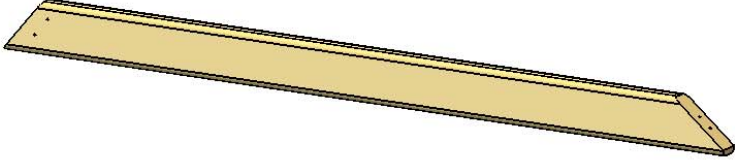
PICTURE	DESCRIPTION	QTY.
1100 	TIC TAC TOE BOARDS 1-3/8" X 1-5/8" X 10-5/8" 2-2-1063-TTB	2
	2 X 3 X 28-1/2" PANEL SLAT 2-3-2850-PS	4
	2 X 4 X 24" ROPE LADDER RUNG 2-3-2400-RLST	6
	2 X 4 X 33" REAR BOTTOM PANEL BOARD 2-4-3300-RBPB	1
	2 X 4 X 34" FRONT CENTER POST 2-4-3400-FCP	1
	2 X 4 X 36" CENTER TARP BOARD 2-4-3600-CTB	1
	2 X 4 X 36" ROCK WALL ROPE SUPPORT 2-4-3600-RWRS	1
	2 X 4 X 38-3/4" TARP BOARD 2-4-3875-TB	2

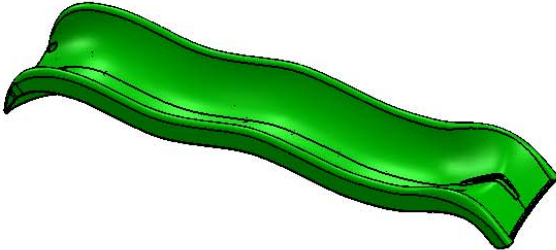
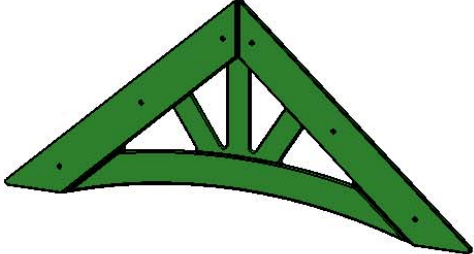
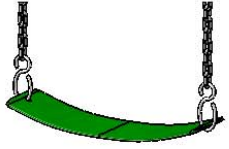
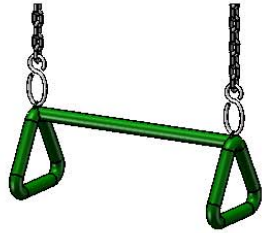
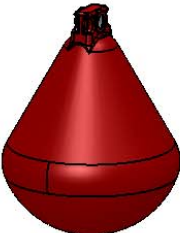

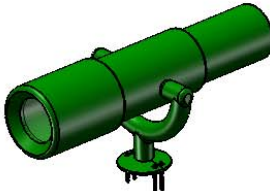
PICTURE	DESCRIPTION	QTY.
	<p>2 X 4 X 47" CENTER DECK SUPPORT</p> <p>2-4-4700-CDS</p>	<p>1</p>
	<p>2 X 4 X 56" ROCK WALL BOTTOM SUPPORT</p> <p>2-4-5600-RWBS</p>	<p>1</p>
	<p>2 X 4 X 58" CROSS MEMBER</p> <p>2-4-5800-CM</p>	<p>1</p>
	<p>2 X 4 X 60" REAR CENTER POST</p> <p>2-4-6000-RCP</p>	<p>1</p>
	<p>2 X 4 X 70-3/16" ROPE LADDER SUPPORT</p> <p>2-4-7019-RLS</p>	<p>1</p>
	<p>2 X 4 X 77" SIDE RAIL</p> <p>2-4-7700-SR</p>	<p>2</p>
	<p>2 X 4 X 80" ROPE LADDER RUNNER</p> <p>2-4-8000-RLR</p>	<p>1</p>

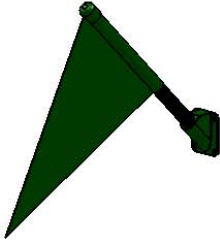


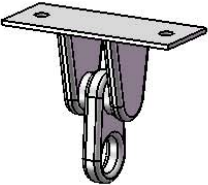
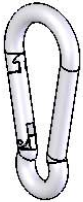
PICTURE	DESCRIPTION	QTY.
	<p>2 X 6 X 30-3/4" STEP</p> <p>2-6-3075-SL</p>	<p>4</p>
	<p>2 X 6 X 54-1/4" INNER FORT SUPPORT</p> <p>2-6-5425-IFS</p>	<p>2</p>
	<p>2 X 6 X 54-1/4" OUTER FORT SUPPORT</p> <p>2-6-5425-OFS</p>	<p>2</p>
	<p>4 X 4 X 12" ANGLE SUPPORT LEFT SIDE</p> <p>4-4-1200-ASLS</p>	<p>2</p>
	<p>4 X 4 X 12" ANGLE SUPPORT RIGHT SIDE</p> <p>4-4-1200-ASRS</p>	<p>2</p>
	<p>4 X 4 X 33-1/4" SWING BEAM SIDE RAIL</p> <p>4-4-3325-SBSR</p>	<p>1</p>
	<p>4 X 4 X 40-1/2" CORNER POST (LEFT)</p> <p>4-4-4050-CPL</p>	<p>2</p>

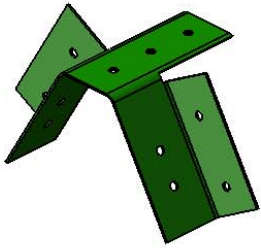
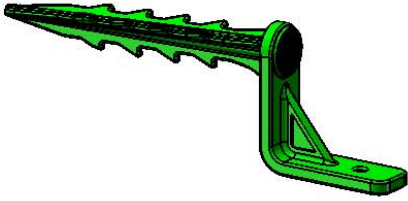
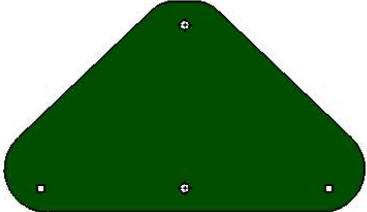
PICTURE	DESCRIPTION	QTY.
	<p>4 X 4 X 40-1/2" CORNER POST (RIGHT)</p> <p>4-4-4050-CPR</p>	<p>2</p>
	<p>4 X 4 X 65-1/4" LADDER LEFT SIDE</p> <p>4-4-6525-LLS</p>	<p>1</p>
	<p>4 X 4 X 65-1/4" LADDER RIGHT SIDE</p> <p>4-4-6525-LRS</p>	<p>1</p>
	<p>4 X 4 X 65-1/4" ROCK WALL SIDE</p> <p>4-4-6525-RWS</p>	<p>2</p>
	<p>5/4 X 4 X 38-3/4" CENTER DECK BOARD</p> <p>125-4-3875-CDB</p>	<p>1</p>
	<p>5/4 X 6 X 29-1/4" DECK SPACER</p> <p>125-6-2925-DS</p>	<p>4</p>
	<p>5/4 X 6 X 36" BOTTOM ROCK WALL BOARD</p> <p>125-6-3600-BRWB</p>	<p>1</p>

PICTURE	DESCRIPTION	QTY.
	<p>5/4 X 6 X 36" ROCK WALL BOARD</p> <p>125-6-3600-RWB</p>	<p>8</p>
	<p>5/4 X 6 X 38-3/4" DECK BOARD</p> <p>125-6-3875-DB</p>	<p>4</p>
	<p>4 X 4 X 96" SWING LEG POLY COATED</p> <p>99-0501</p>	<p>2</p>
	<p>4 X 6 X 108" SWING BEAM POLY COATED</p> <p>99-0601</p>	<p>1</p>
		<p>23</p>

	PICTURE	DESCRIPTION	QTY.
1103 		1 X 4 X 40-3/4" ROOF STARTER 1 1-4-4075-RS1	1
		1 X 5 X 40-3/4" ROOF BOARD 1-5-4075-RB	22
		1 X 5 X 40-3/4" ROOF FINISHER 1-5-4075-RF	2
		1 X 5 X 40-3/4" ROOF STARTER 2 1-5-4075-RS2	1
		2 X 4 X 52" ROOF SUPPORT 2-4-5200-RS	4

PICTURE	DESCRIPTION	QTY.
	<p>8' WIKI WAVE SLIDE 03-0015-G</p>	<p>1</p>
	<p>PLASTIC FRONT ARCH 07-0027-G</p>	<p>2</p>
	<p>SWING BELT WITH CHAINS 04-0002</p>	<p>2</p>
	<p>TRAPEZE SWING WITH CHAINS 04-0006</p>	<p>1</p>
	<p>PUNCHING BALL 04-0027</p>	<p>1</p>
	<p>TIC TAC TOE (UNASSEMBLED) 01-0010</p>	<p>1</p>
	<p>TELESCOPE 07-0001</p>	<p>1</p>

PICTURE	DESCRIPTION	QTY.
	FLAG KIT (PAIR) 09-1014	1pr
	PLASTIC SAFETY HANDLES (PAIR) 07-0005	2pr
	ROCK WALL ROCKS (PKG OF 5) (COLOR & SIZE MAY VARY) 07-0008	10 rocks
<p>(CHAIN NOT SHOWN)</p>	CHAIN 08-1002	1 ft
<p>(3/4" DIAMETER ROPE NOT SHOWN)</p>	10 FT. ROPE - ROCK WALL 13 FT. ROPE - ROPE LADDER 10-1004	1 pc. 3 pcs.
	IRON DUCTILE SWING HANGER 11-4012	7
	SPRING CLIP 11-4003	7

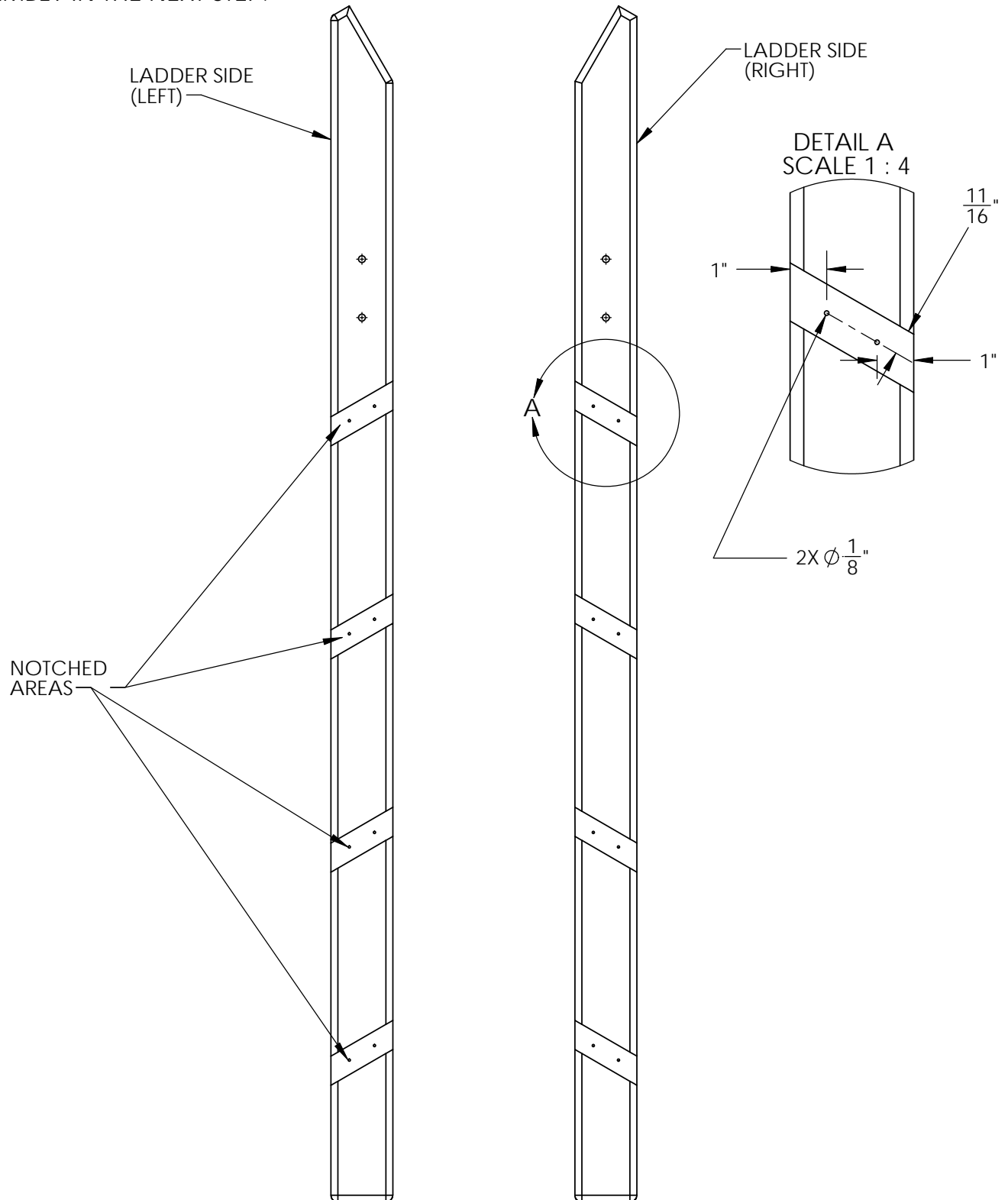
PICTURE	DESCRIPTION	QTY.
	SWING LEG BRACKET 11-5010	1
	PLASTIC GROUND STAKES (PAIR) 07-0016-P	1pr
<p>(NOT SHOWN)</p>	LOGO PLATE	1
	SWING BEAM PLATE 11-5002	1
		27

STEP 1: DRILLING HOLES FOR LADDER STEPS

1: LOCATE THE 4 X 4 X 65-1/4" LADDER SIDE-LEFT AND THE 4 X 4 X 65-1/4" LADDER SIDE - RIGHT.

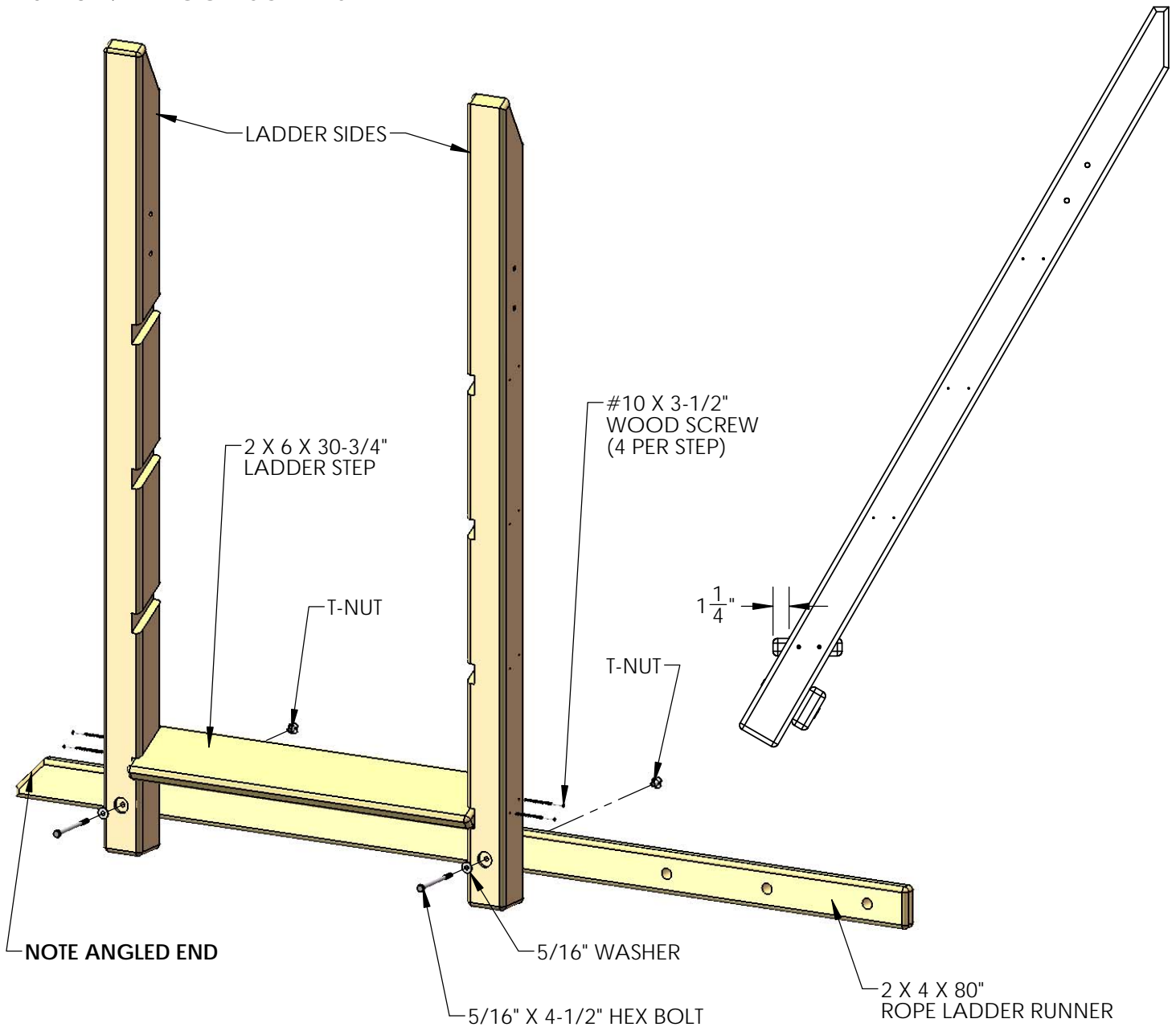
2: PLACE A SCRAP PIECE OF WOOD UNDERNEATH THE LADDER SIDE YOU ARE ABOUT TO DRILL. DRILL TWO 1/8" DIAMETER HOLES ALONG THE CENTER OF EACH NOTCH THROUGH THE LADDER SIDE PIECES. LOCATE EACH HOLE ABOUT 1" IN FROM THE SIDES AS SHOWN BELOW. (SEE DETAIL A BELOW)

3: THESE HOLES WILL MAKE IT EASIER TO "HIT" THE LADDER STEPS WITH SCREWS DURING ASSEMBLY IN THE NEXT STEP.



STEP 1A: ADDENDUM

- 1: BEFORE PROCEEDING TO STEP 2 INSTALL THE 2 X 4 X 80" ROPE LADDER RUNNER. LINE UP THE HOLES IN THE ROPE LADDER RUNNER WITH THE HOLES IN THE LADDER SIDES.
- 2: INSTALL T-NUTS INTO THE HOLES IN THE BACK SIDE OF THE ROPE LADDER RUNNER.
- 3: FASTEN THE ROPE LADDER RUNNER TO THE LADDER SIDES WITH 5/16" X 4-1/2" HEX BOLTS AND 5/16" WASHERS.
- 4: NOW PLACE A 2 X 6 X 30-3/4" LADDER STEP INSIDE THE NOTCHED AREA OF THE LADDER SIDES AT THE BOTTOM NOTCH. LET THE FRONT EDGE OF THE STEP PROTRUDE PAST THE FRONT SURFACE OF THE LADDER BY 1-1/4" AS SHOWN IN THE PICTURE AT THE RIGHT BELOW.
- 5: USE THE HOLES DRILLED IN STEP 1 TO FASTEN THE LADDER SIDES TO THE LADDER STEP WITH #10 X 3-1/2" WOOD SCREWS.

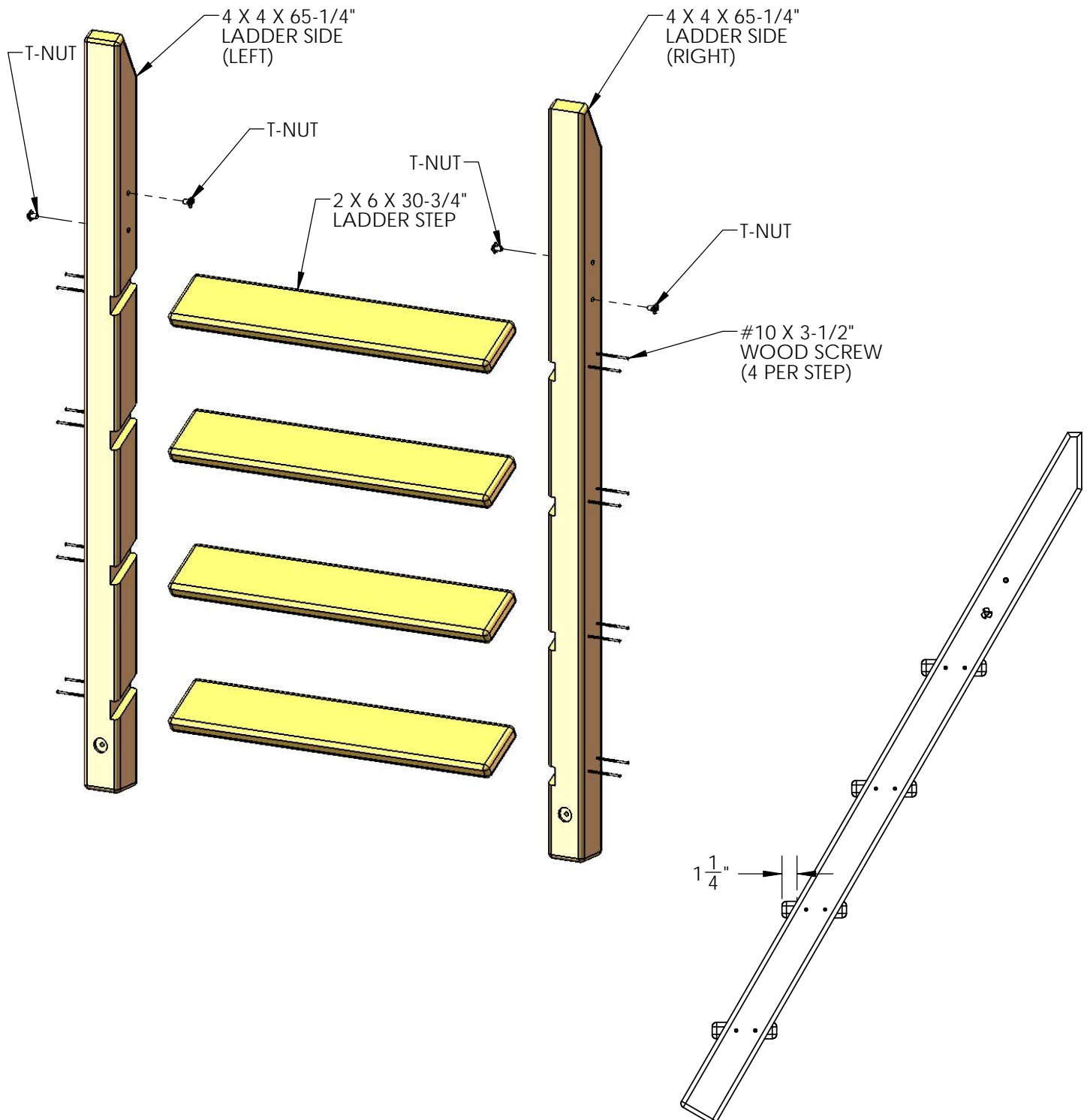


STEP 2: ASSEMBLING THE LADDER

1: INSTALL A T-NUT INTO THE HOLES ABOVE THE LADDER STEPS AS SHOWN BELOW. THE TOPMOST HOLES GET A T-NUT ON THE INSIDE WHILE THE LOWER HOLES GET A T-NUT ON THE OUTSIDE.

2: PLACE A 2 X 6 X 30-3/4" LADDER STEP INSIDE THE NOTCHED AREA OF EACH LADDER SIDE. LET THE FRONT EDGE OF THE STEP PROTRUDE PAST THE FRONT SURFACE OF THE LADDER BY 1-1/4" AS SHOWN IN THE PICTURE AT THE LOWER RIGHT BELOW.

3: USE THE HOLES DRILLED IN STEP 1 TO FASTEN THE LADDER SIDES TO THE LADDER STEPS WITH #10 X 3-1/2" WOOD SCREWS.

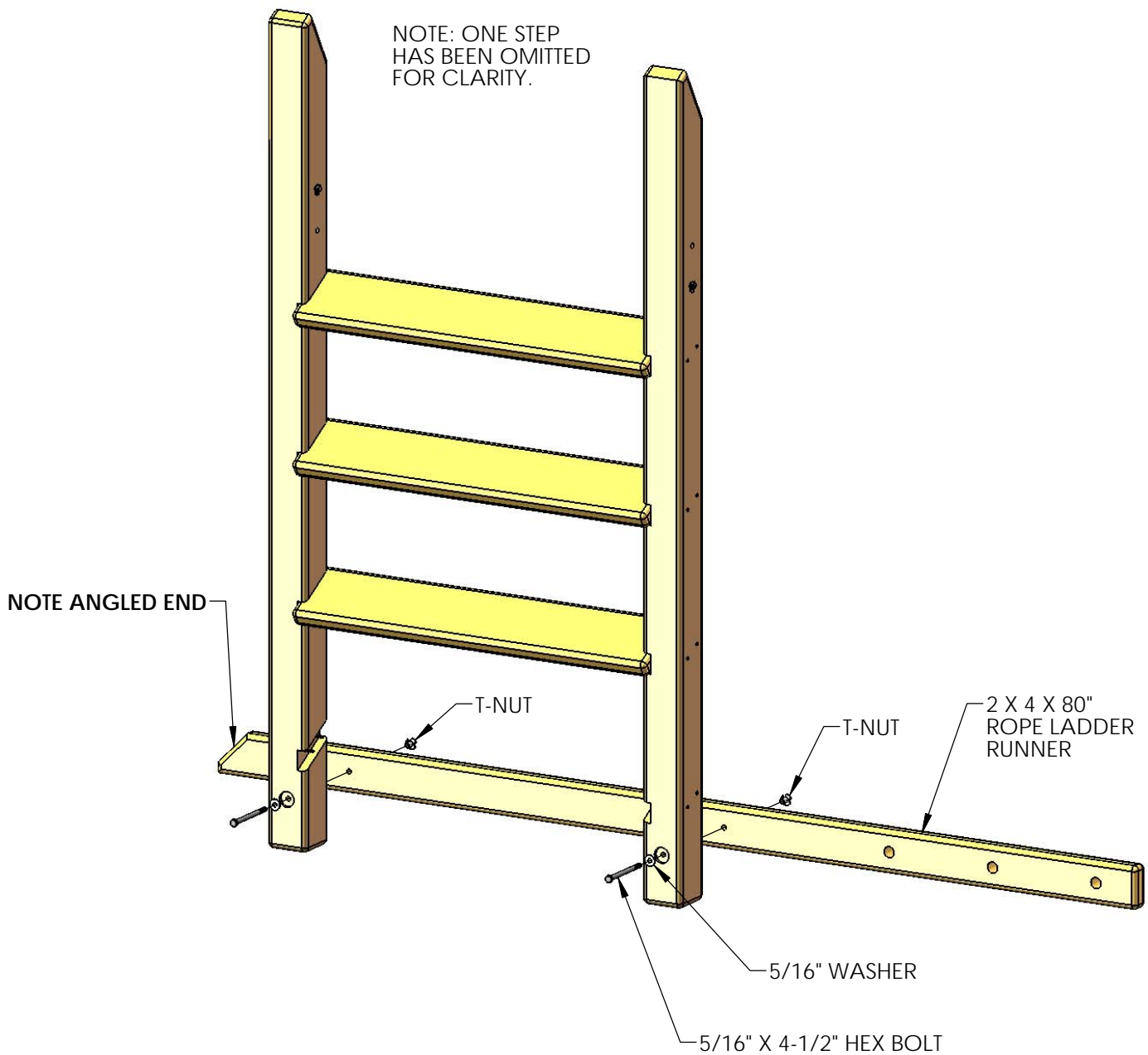


STEP 3: ATTACHING ROPE LADDER RUNNER

1: LINE UP THE HOLES IN THE 2 X 4 X 80" ROPE LADDER RUNNER WITH THE HOLES IN THE LADDER SIDES.

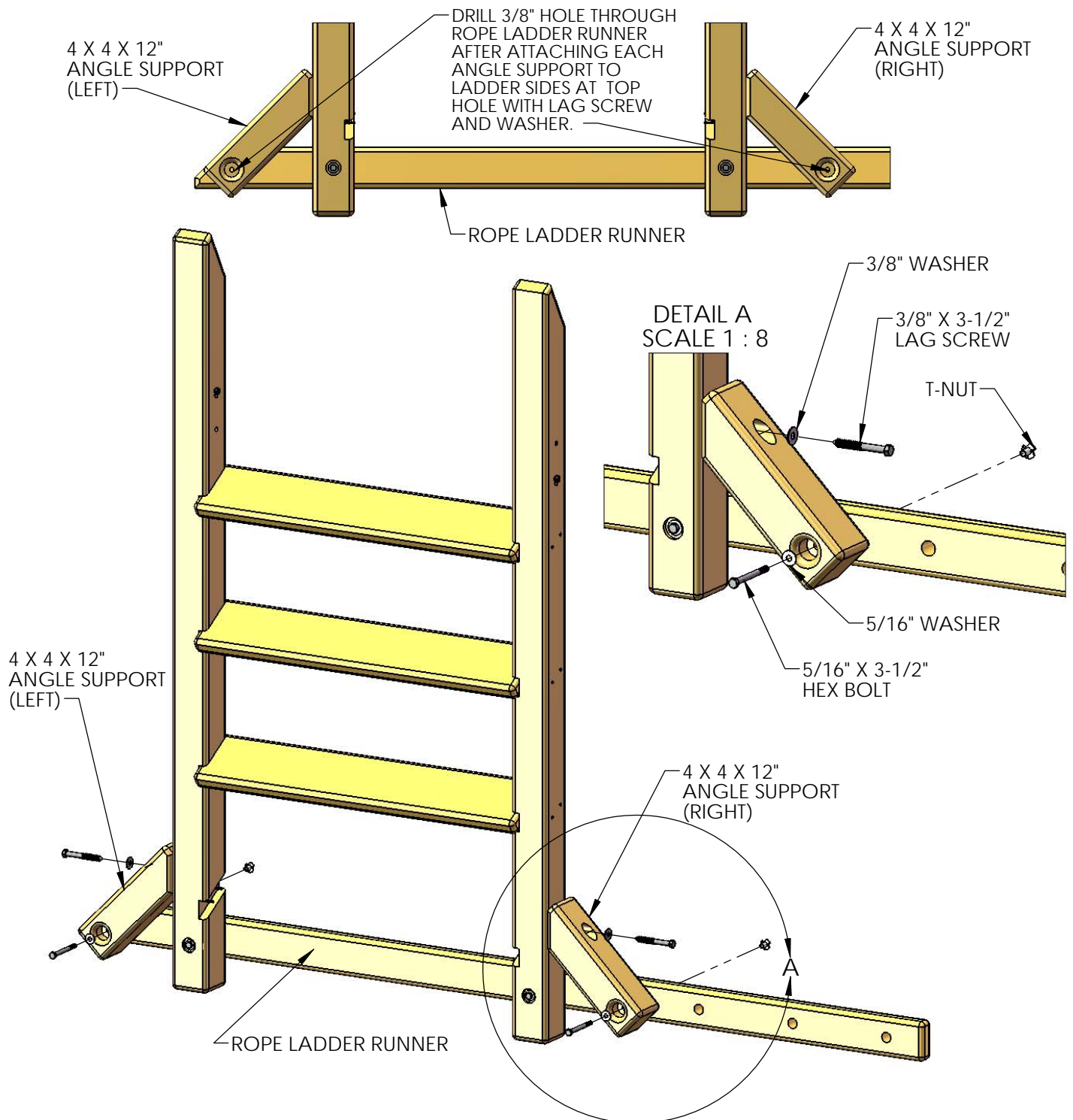
2: INSTALL T-NUTS INTO THE HOLES IN THE BACK SIDE OF THE ROPE LADDER RUNNER.

3: FASTEN THE ROPE LADDER RUNNER TO THE LADDER SIDES WITH 5/16" X 4-1/2" HEX BOLTS AND 5/16" WASHERS.



STEP 4: ANGLE SUPPORTS

- 1: PLACE THE 45° END OF A 4 X 4 X 12" ANGLE SUPPORT AGAINST THE SIDE OF EACH LADDER SIDE.
- 2: CENTER THE BOTTOM HOLE IN EACH ANGLE SUPPORT WITH THE MIDDLE OF THE ROPE LADDER RUNNER.
- 3: ATTACH EACH ANGLE SUPPORT THROUGH THE TOP HOLE TO THE LADDER SIDES WITH A 3/8" X 3-1/2" LAG SCREW AND A 3/8" WASHER.
- 4: USE THE BOTTOM HOLE IN EACH ANGLE SUPPORT AS A GUIDE TO DRILL A 3/8" HOLE THROUGH THE ROPE LADDER RUNNER. PLACE A SCRAP PIECE OF WOOD BEHIND THE ROPE LADDER RUNNER TO PREVENT THE WOOD FROM SPLITTING OUT.
- 5: INSTALL T-NUTS IN THE BACK SIDE OF THE ROPE LADDER RUNNER.
- 6: ATTACH EACH ANGLE SUPPORT TO THE ROPE LADDER RUNNER WITH 5/16" X 3-1/2" HEX BOLTS AND 5/16" WASHERS.



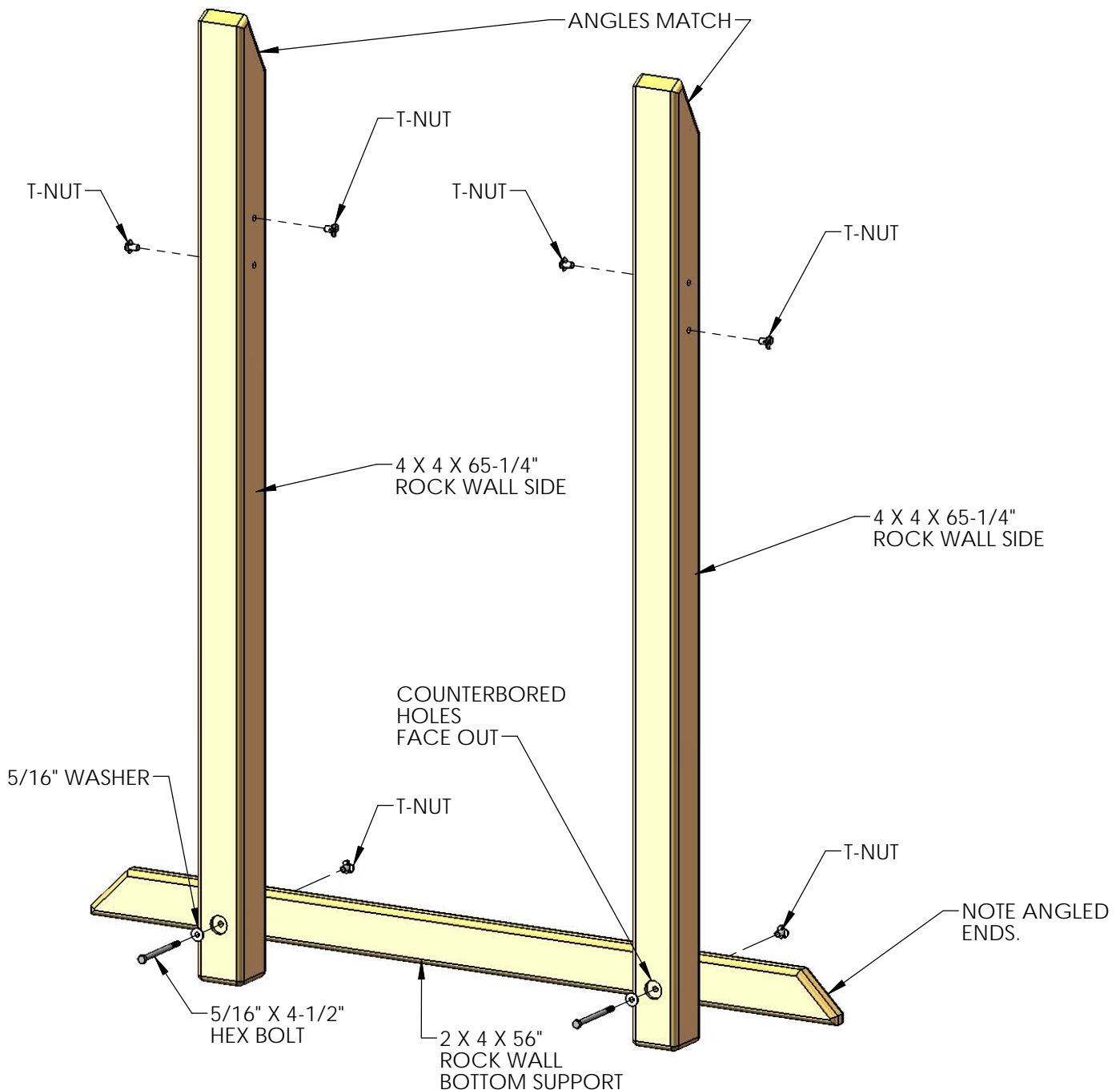
STEP 5: ROCK WALL

1: PLACE TWO 4 X 4 X 65-1/4" ROCK WALL SIDES AGAINST THE 2 X 4 X 56" ROCK WALL BOTTOM SUPPORT. NOTE THE ANGLES ON THE ENDS OF THE ROCK WALL SIDES SHOULD MATCH ONE ANOTHER AND THAT THE COUNTERBORED HOLES FACE OUT. ALSO NOTE THE ANGLE ON THE ENDS OF THE ROCK WALL BOTTOM SUPPORT.

2: INSTALL T-NUTS INTO THE HOLES IN THE ROCK WALL SIDES. THE TOPMOST HOLES GET A T-NUT ON THE INSIDE WHILE THE LOWER HOLES GET A T-NUT ON THE OUTSIDE.

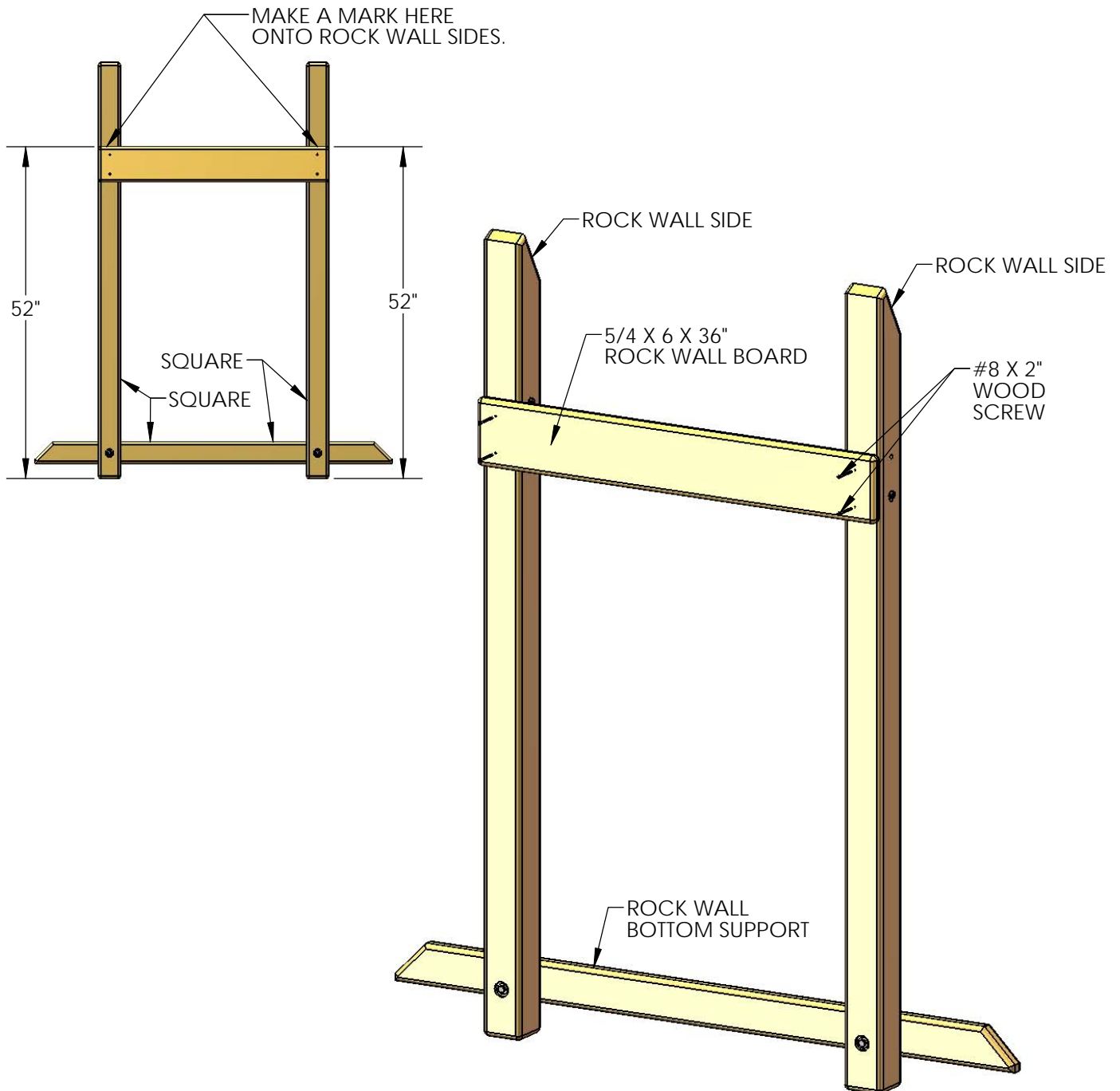
3: INSTALL T-NUTS INTO THE HOLES ON THE BACK SIDE OF THE ROCK WALL BOTTOM SUPPORT.

4: ATTACH THE ROCK WALL SIDES TO THE ROCK WALL BOTTOM SUPPORT WITH 5/16" X 4-1/2" HEX BOLTS AND 5/16" WASHERS.



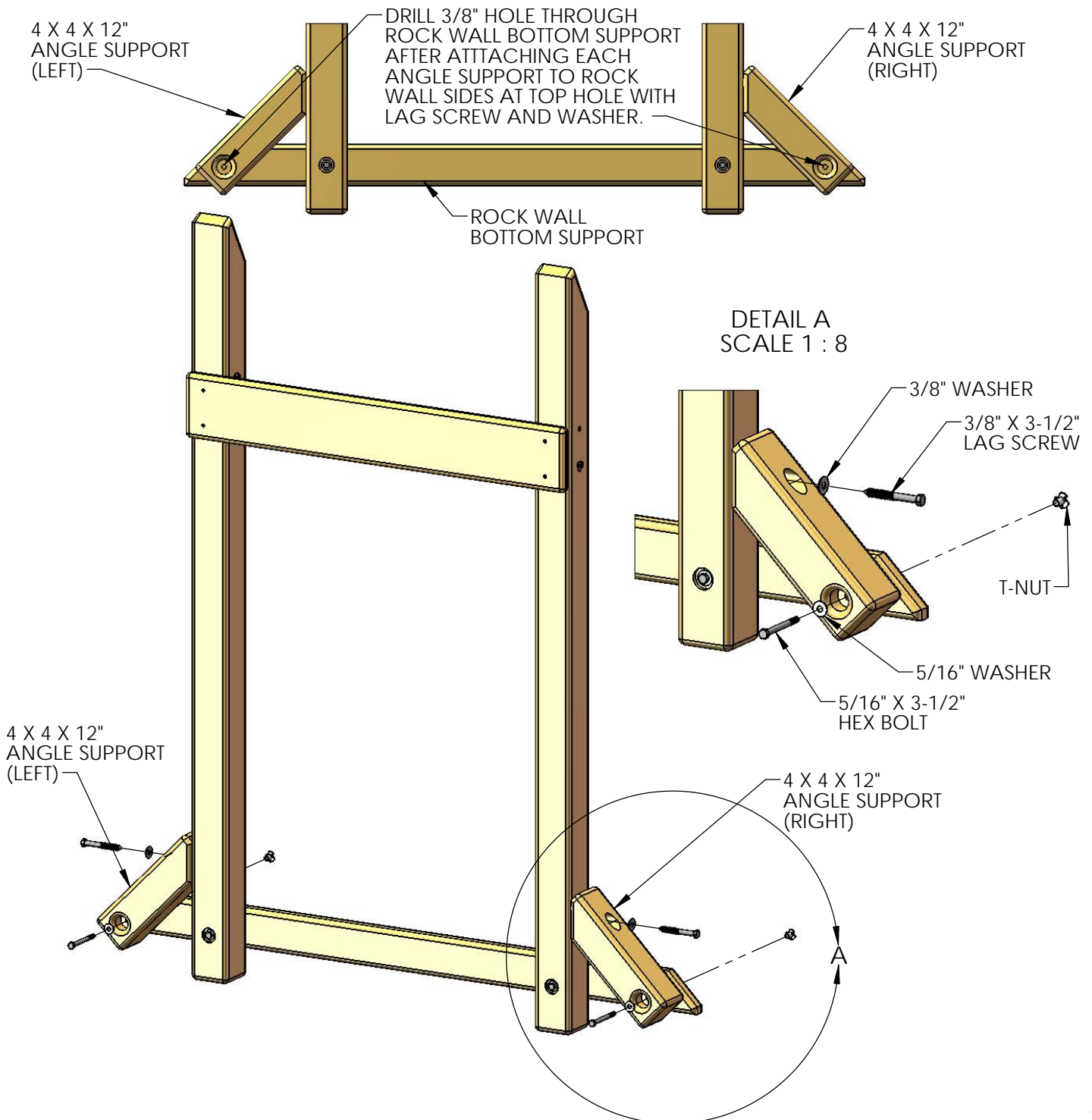
STEP 6: ROCK WALL

- 1: MEASURE 52" FROM THE BOTTOM OF EACH OF THE ROCK WALL SIDES AND MAKE A MARK ONTO THE ROCK WALL SIDES.
- 2: BEFORE INSTALLING THE ROCK WALL BOARD MAKE SURE THAT THE ROCK WALL SIDES ARE SQUARE TO THE ROCK WALL BOTTOM SUPPORT.
- 3: ALIGN THE TOP SURFACE OF A 5/4 X 6 X 36" ROCK WALL BOARD WITH THE MARKS.
- 4: FASTEN THE ROCK WALL BOARD TO THE ROCK WALL SIDES WITH #8 X 2" WOOD SCREWS.



STEP 7: ROCK WALL

- 1: PLACE THE 45° END OF A 4 X 4 X 12" ANGLE SUPPORT AGAINST THE SIDE OF EACH ROCK WALL SIDE.
- 2: CENTER THE BOTTOM HOLE IN EACH ANGLE SUPPORT WITH THE MIDDLE OF THE ROCK WALL BOTTOM SUPPORT.
- 3: ATTACH EACH ANGLE SUPPORT THROUGH THE TOP HOLE TO THE LADDER SIDES WITH A 3/8" X 3-1/2" LAG SCREW AND A 3/8" WASHER.
- 4: USE THE BOTTOM HOLE IN EACH ANGLE SUPPORT AS A GUIDE TO DRILL A 3/8" HOLE THROUGH THE ROCK WALL BOTTOM SUPPORT. PLACE A SCRAP PIECE OF WOOD BEHIND THE ROCK WALL BOTTOM SUPPORT TO PREVENT THE WOOD FROM SPLITTING OUT.
- 5: INSTALL T-NUTS IN THE BACK SIDE OF THE ROCK WALL BOTTOM SUPPORT.
- 6: ATTACH EACH ANGLE SUPPORT TO THE ROCK WALL BOTTOM SUPPORT WITH 5/16" X 3-1/2" HEX BOLTS AND 5/16" WASHERS.



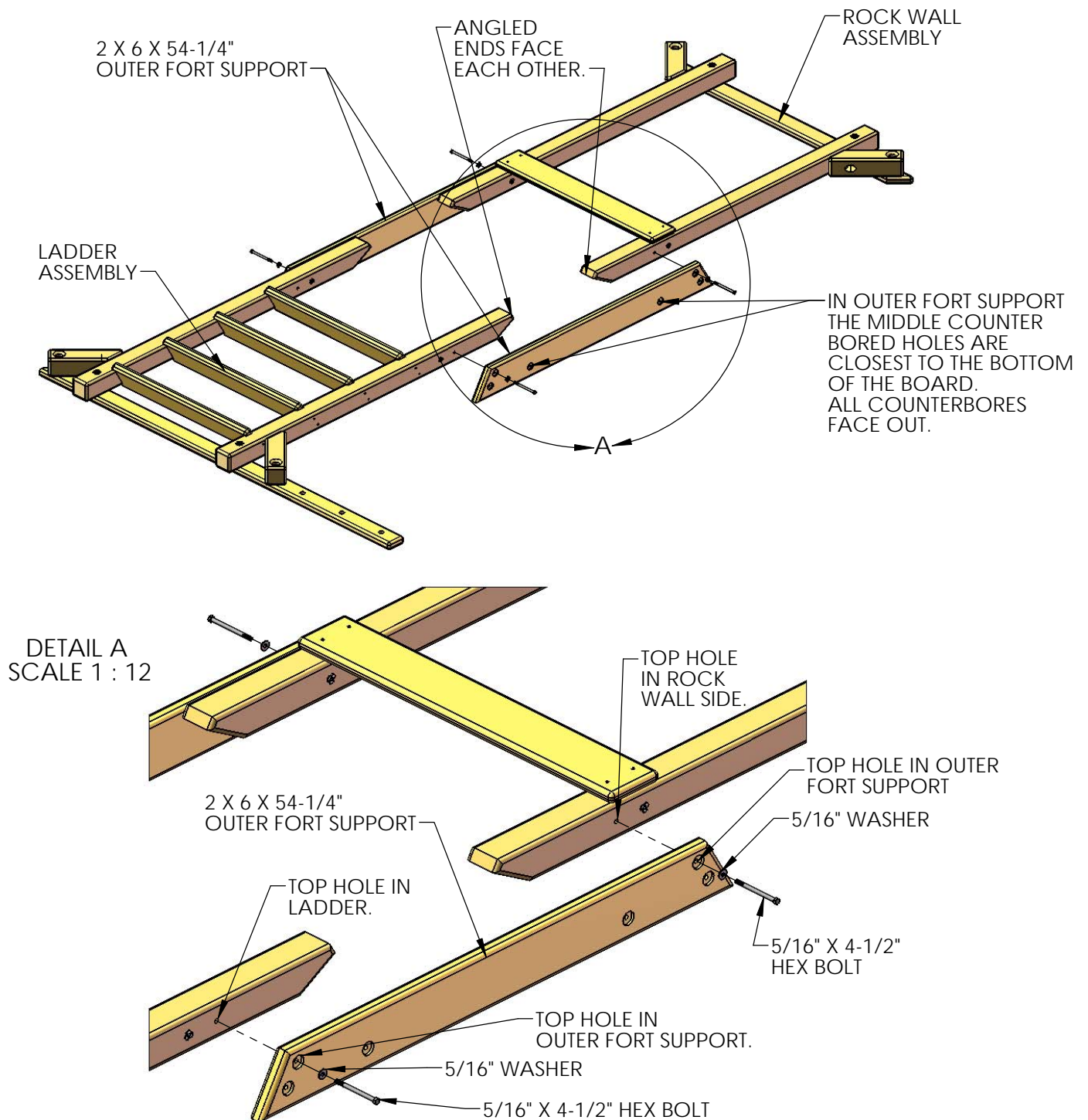
STEP 8: OUTER FORT SUPPORTS

1: LAY THE ROCK WALL ASSEMBLY AND THE LADDER ASSEMBLY DOWN ON A FLAT SURFACE WITH THE ANGLED ENDS FACING EACH OTHER.

2: PLACE A 2 X 6 X 54-1/4" OUTER FORT SUPPORT ON THE OUTSIDE OF THE ROCK WALL/LADDER SIDES. NOTE THE OUTER FORT SUPPORT HAS TWO HOLES IN THE MIDDLE OF THE BOARD CLOSEST TO THE BOTTOM. THE COUNTERBORED HOLES IN THE OUTER FORT SUPPORT FACE OUT.

3: LINE UP THE TOP HOLE IN EACH END OF THE OUTER FORT SUPPORT WITH THE TOP HOLE IN THE ROCK WALL/LADDER SIDES.

4: ATTACH THE OUTER FORT SUPPORT TO THE ROCK WALL/LADDER SIDES WITH 5/16" X 4-1/2" HEX BOLTS AND 5/16" WASHERS.

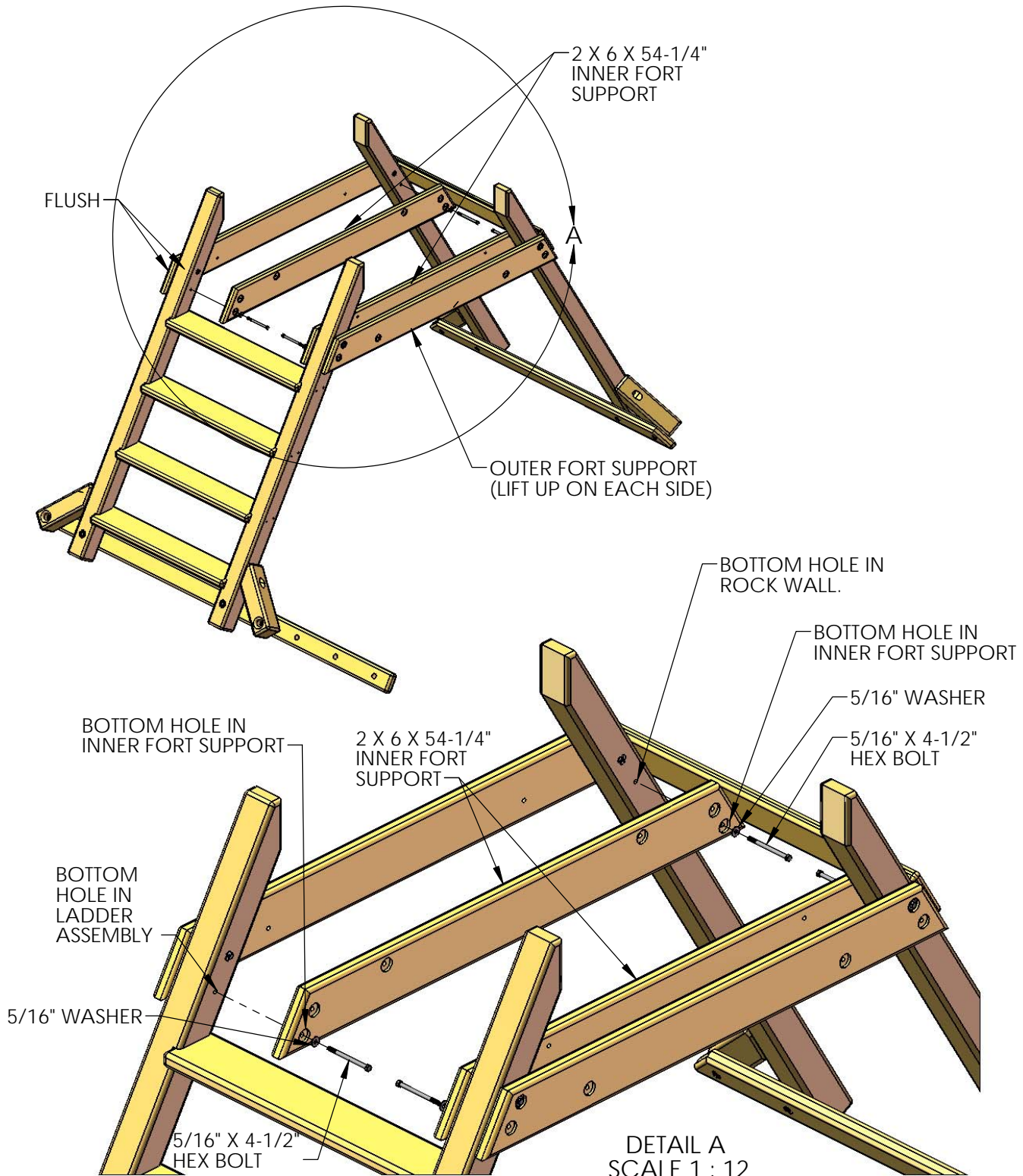


STEP 9: INNER FORT SUPPORTS

1: HAVE AN ASSISTANT HELP YOU LIFT THE OUTER FORT SUPPORTS UP AS THE ROCK WALL ASSEMBLY AND LADDER ENDS TILT UP. THE OUTER SURFACE OF THE LADDER AND ROCK WALL SIDES SHOULD BE FLUSH TO THE ENDS OF THE OUTER FORT SUPPORTS. HAVE YOUR ASSISTANT HOLD THE ASSEMBLY UP WHILE YOU INSTALL THE INNER FORT SUPPORTS.

2: PLACE A 2 X 6 X 54-1/4" INNER FORT SUPPORT ON THE INSIDE OF THE ROCK WALL/LADDER SIDES AS SHOWN. LINE UP THE BOTTOM HOLE IN EACH END OF THE INNER FORT SUPPORT WITH THE BOTTOM HOLE IN THE ROCK WALL/LADDER SIDE.

3: ATTACH THE INNER FORT SUPPORT TO THE ROCK WALL/LADDER SIDE WITH 5/16" X 4-1/2" HEX BOLTS AND 5/16" WASHERS.



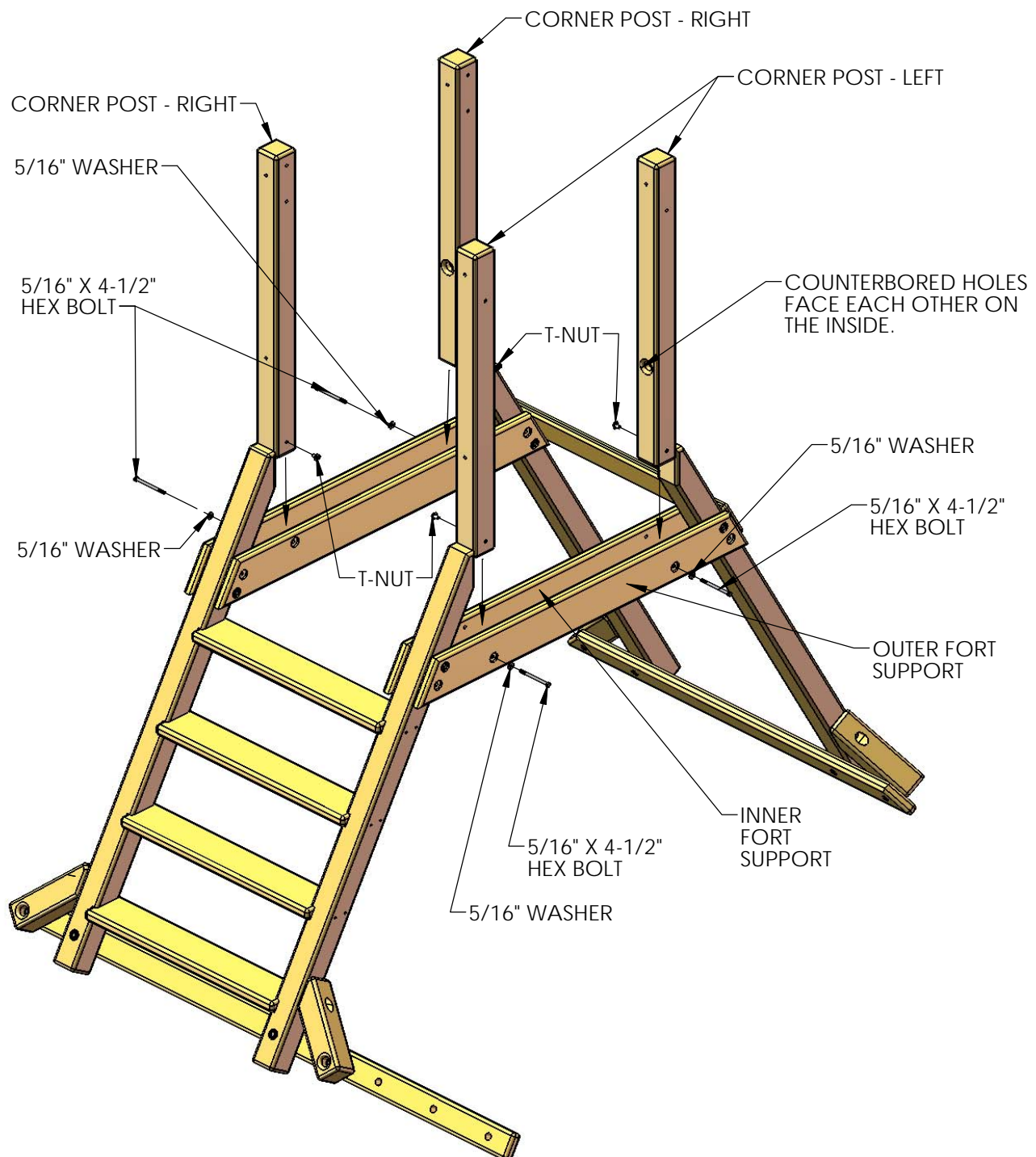
STEP 10: CORNER POSTS

1: LOCATE TWO 4 X 4 X 40-1/2" CORNER POST - LEFT AND TWO 4 X 4 X 40-1/2" CORNER POST - RIGHT. THE CORNER POST - RIGHT HAS THREE HOLES IN THE TOP AND THE CORNER POST - LEFT HAS TWO HOLES IN THE TOP. THE COUNTERBORED HOLES IN THE CORNER POSTS FACE EACH OTHER ON THE INSIDE.

2: INSTALL A T-NUT INTO THE BOTTOM HOLE OF EACH CORNER POST ON THE INSIDE AS SHOWN.

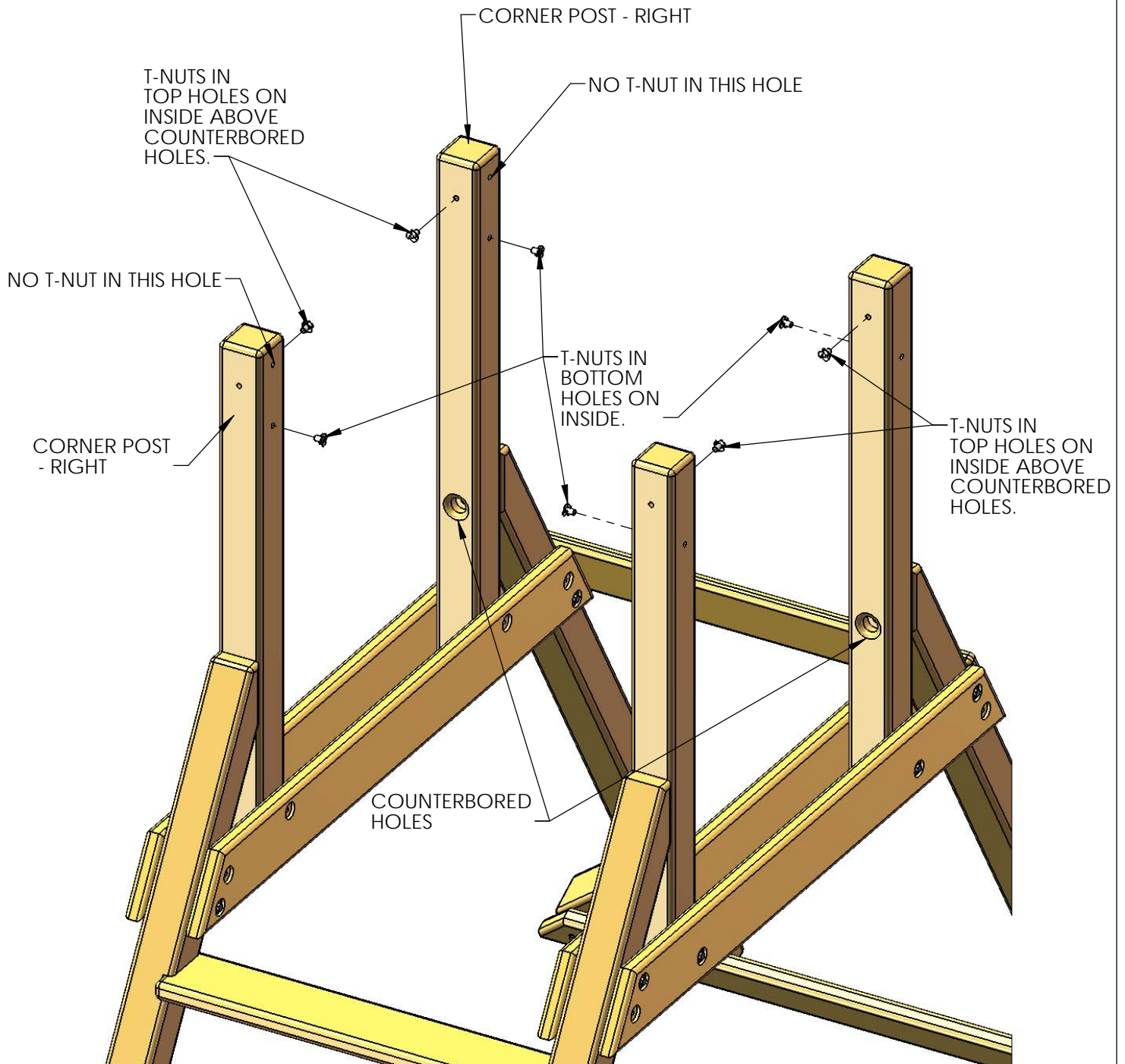
3: PLACE THE BOTTOM END OF EACH CORNER POST BETWEEN THE INNER AND OUTER FORT SUPPORTS AND LINE UP THE BOTTOM HOLE IN THE CORNER POST WITH THE HOLE IN THE OUTER FORT SUPPORT.

4: ATTACH EACH CORNER POST TO THE OUTER FORT SUPPORTS WITH 5/16" X 4-1/2" HEX BOLTS AND 5/16" WASHERS.



STEP 11: CORNER POSTS

- 1: INSTALL T-NUTS IN THE BOTTOM HOLES ON THE INSIDE OF THE CORNER POSTS.
- 2: INSTALL T-NUTS IN THE TOP HOLES ON THE INSIDE OF THE CORNER POSTS ABOVE THE COUNTERBORED HOLES.
- 3: DO NOT INSTALL T-NUTS IN THE TOP HOLES ON THE INSIDE TOP MOST HOLES OF THE CORNER POST - RIGHT BOARDS.

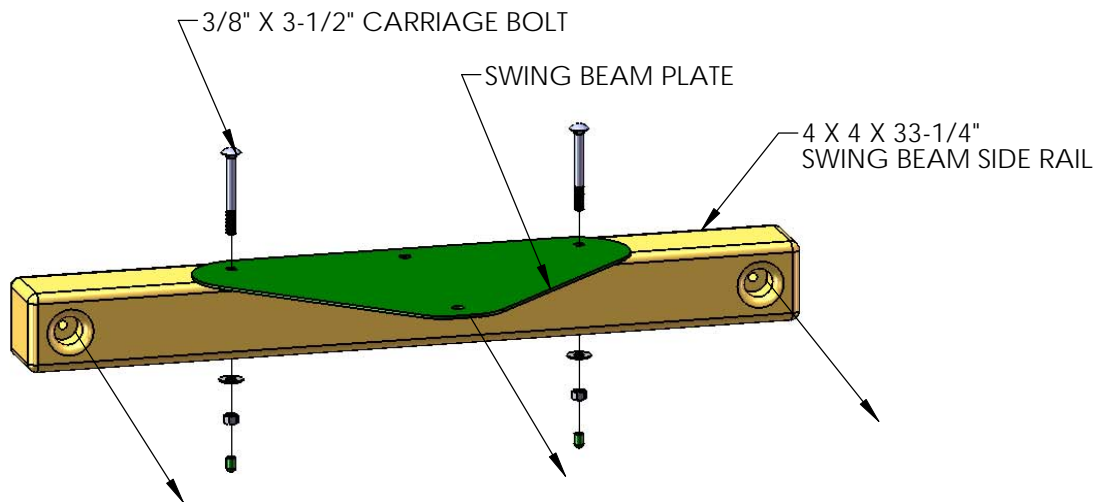


STEP 12: ATTACH SWING BEAM PLATE TO THE SWING BEAM SIDE RAIL

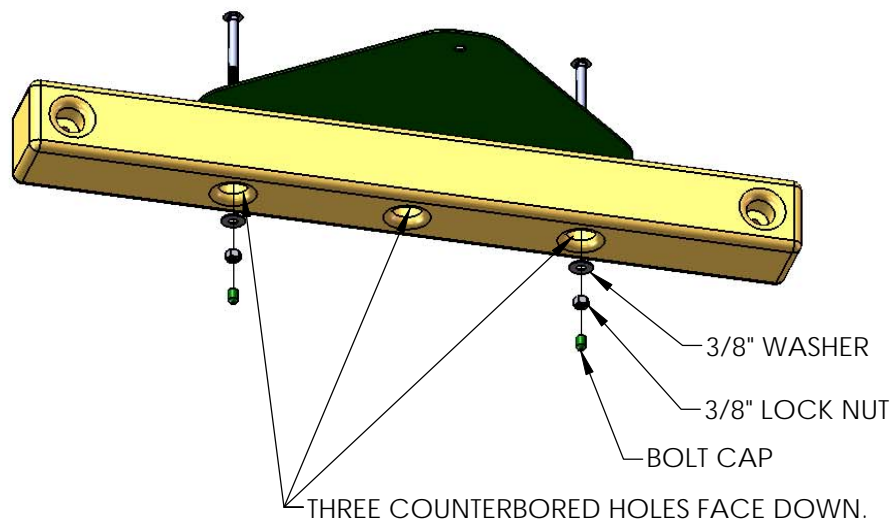
1: LOCATE THE 4 X 4 X 33-1/4" SWING BEAM SIDE RAIL AND THE SWING BEAM PLATE.

2: PLACE THE SWING BEAM PLATE OVER THE THREE SMALL HOLES IN THE SWING BEAM SIDE RAIL. THE TWO COUNTERBORED HOLES IN THE ENDS OF THE BEAM SHOULD FACE THE SAME DIRECTION AS THE POINTED END OF THE SWING BEAM PLATE. THE THREE COUNTERBORED HOLES IN THE MIDDLE OF THE BEAM SHOULD FACE DOWN.

3: FASTEN THE SWING BEAM PLATE TO THE SWING BEAM SIDE RAIL WITH 3/8" X 3-1/2" CARRIAGE BOLTS IN TOP AND 3/8" WASHERS, 3/8" LOCK NUTS ON THE BOTTOM. PLACE BOLT CAPS OVER ANY EXPOSED THREADS.



POINTED END OF SWING BEAM PLATE
FACES SAME DIRECTION AS TWO COUNTERBORES
IN ENDS OF SWING BEAM SIDE RAIL.



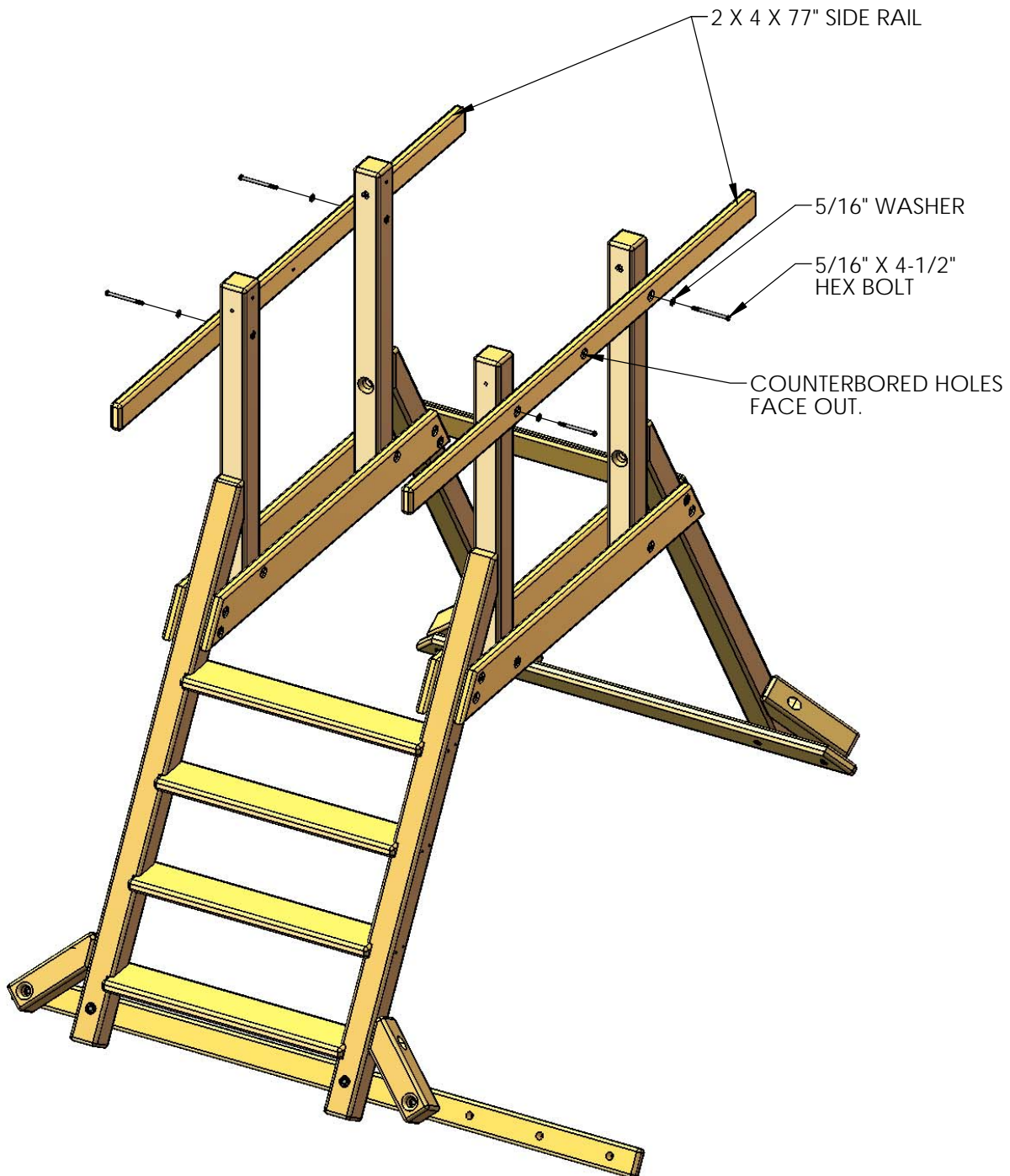
STEP 13: SIDE RAILS

1: LOCATE TWO 2 X 4 X 77" SIDE RAILS.

2: PLACE EACH SIDE RAIL AGAINST THE CORNER POSTS ON THE OUTSIDE WITH THE COUNTERBORED HOLES FACING OUT.

3: ALIGN THE HOLES IN EACH SIDE RAIL TO THE HOLES IN THE CORNER POSTS.

4: LOOSELY ATTACH EACH SIDE RAIL TO THE CORNER POSTS WITH 5/16" X 4-1/2" HEX BOLTS AND 5/16" WASHERS.



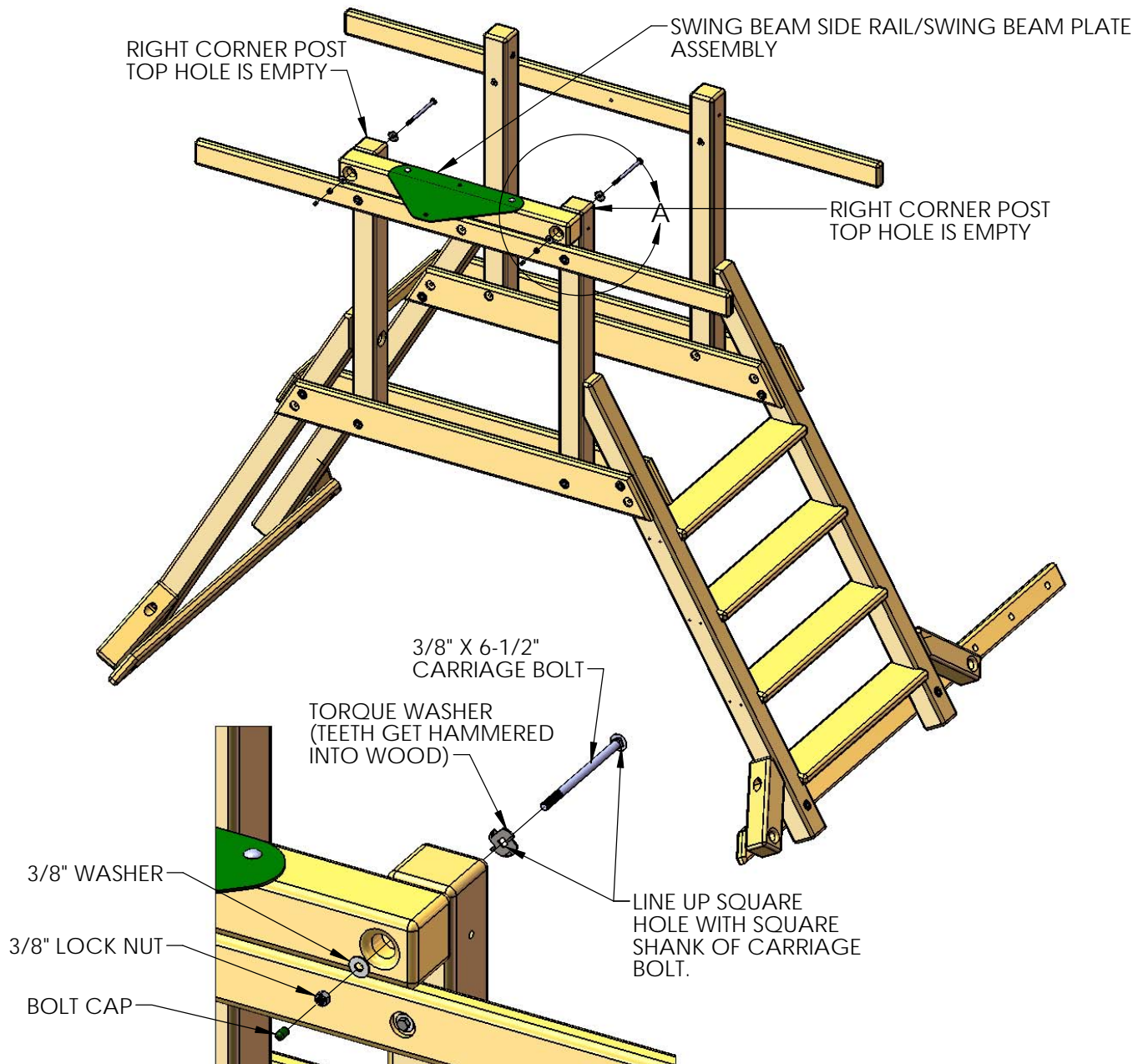
STEP 14: ATTACHING SWING BEAM SIDE RAIL

1: PLACE THE 4 X 4 X 33-1/4" SWING BEAM SIDE RAIL/SWING BEAM PLATE ASSEMBLY AGAINST THE RIGHT CORNER POSTS. THE SWING BEAM PLATE SHOULD FACE UP.

2: LINE UP THE HOLES IN THE SWING BEAM SIDE RAIL WITH THE HOLES IN THE RIGHT CORNER POSTS.

3: PLACE A 3/8" X 6-1/2" CARRIAGE BOLT AND TORQUE WASHER INTO THE HOLES AT THE TOP OF THE RIGHT CORNER POSTS ON THE INSIDE. LINE UP THE SQUARE SHANK OF THE CARRIAGE BOLT WITH THE SQUARE HOLE IN THE TORQUE WASHER. USE A HAMMER TO HIT THE TOP OF THE CARRIAGE BOLT TO SET THE TORQUE WASHER TEETH INTO THE WOOD. HOLD THE CORNER POST STEADY WHILE YOU HAMMER THE CARRIAGE BOLT.

4: FASTEN THE SWING BEAM SIDE RAIL TO THE RIGHT CORNER POSTS WITH 3/8" WASHERS AND 3/8" LOCK NUTS ON THE INSIDE OF THE COUNTERBORED HOLES. PLACE BOLT CAPS OVER ANY EXPOSED THREADS ON THE ENDS OF THE CARRIAGE BOLTS.



DETAIL A
SCALE 1 : 7

STEP 15: ATTACHING ROPE LADDER SUPPORT AND ROCK WALL ROPE SUPPORT

1: FIND THE 2 X 4 X 70-3/16" ROPE LADDER SUPPORT AND LAY IT ON TOP OF THE SIDE RAILS. THE COUNTERBORED HOLES IN THE ROPE LADDER SUPPORT FACE OUT.

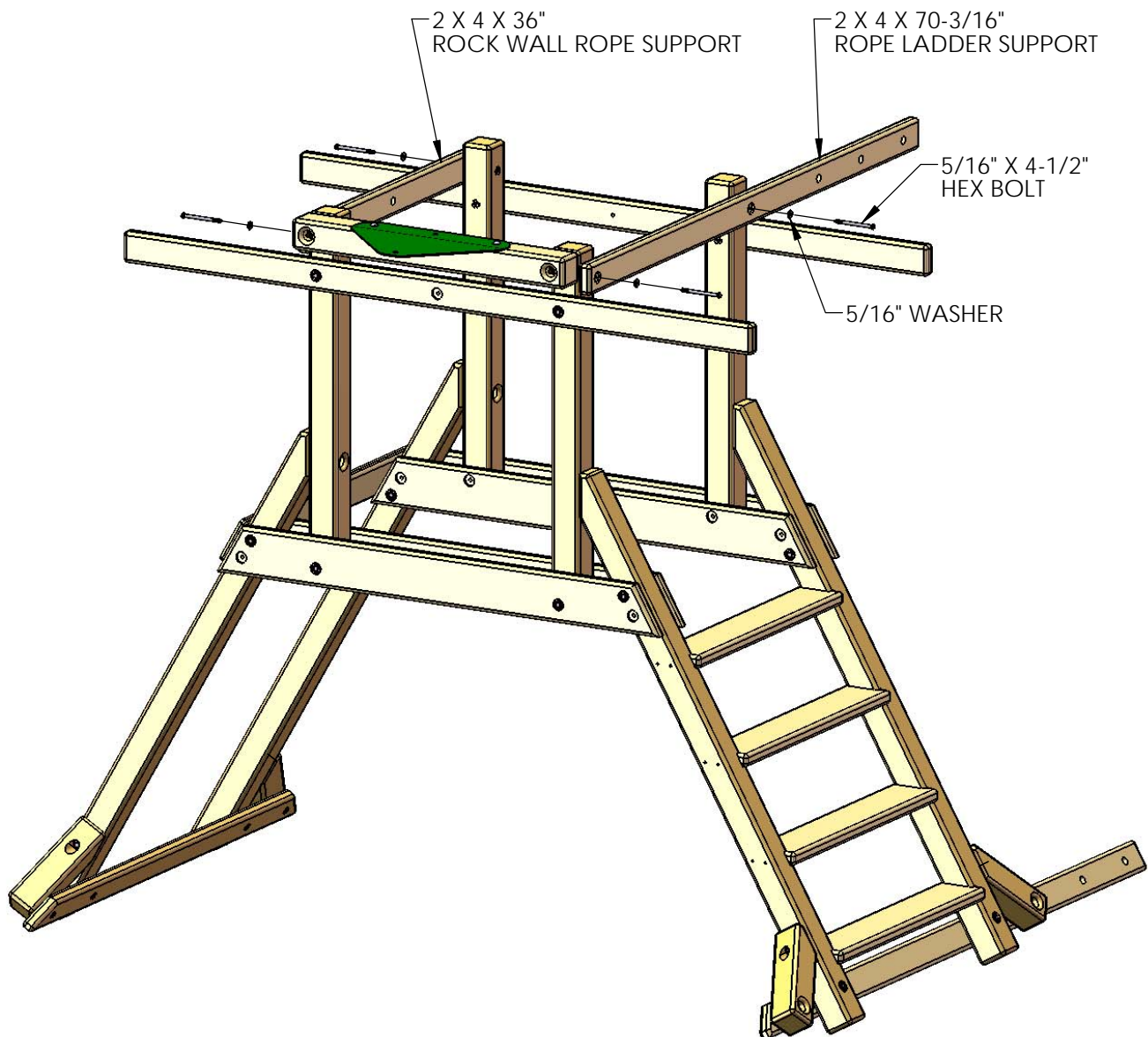
2: LINE UP THE HOLES IN THE ROPE LADDER SUPPORT WITH THE HOLES IN THE CORNER POSTS.

3: ATTACH THE ROPE LADDER SUPPORT TO THE CORNER POSTS WITH 5/16" X 4-1/2" HEX BOLTS AND 5/16" WASHERS.

4: FIND THE 2 X 4 X 36" ROCK WALL ROPE SUPPORT AND LAY IT ON TOP OF THE SIDE RAILS.

5: LINE UP THE HOLES IN THE ROCK WALL ROPE SUPPORT WITH THE HOLES IN THE CORNER POSTS.

6: ATTACH THE ROCK WALL ROPE SUPPORT TO THE CORNER POSTS WITH 5/16" X 4-1/2" HEX BOLTS AND 5/16" WASHERS. THE COUNTERBORED HOLES IN THE ROCK WALL ROPE SUPPORT FACE OUT.



STEP 16: INSTALLING LAG SCREWS

1: MAKE SURE THE UNIT IS LEVEL AND SQUARE.

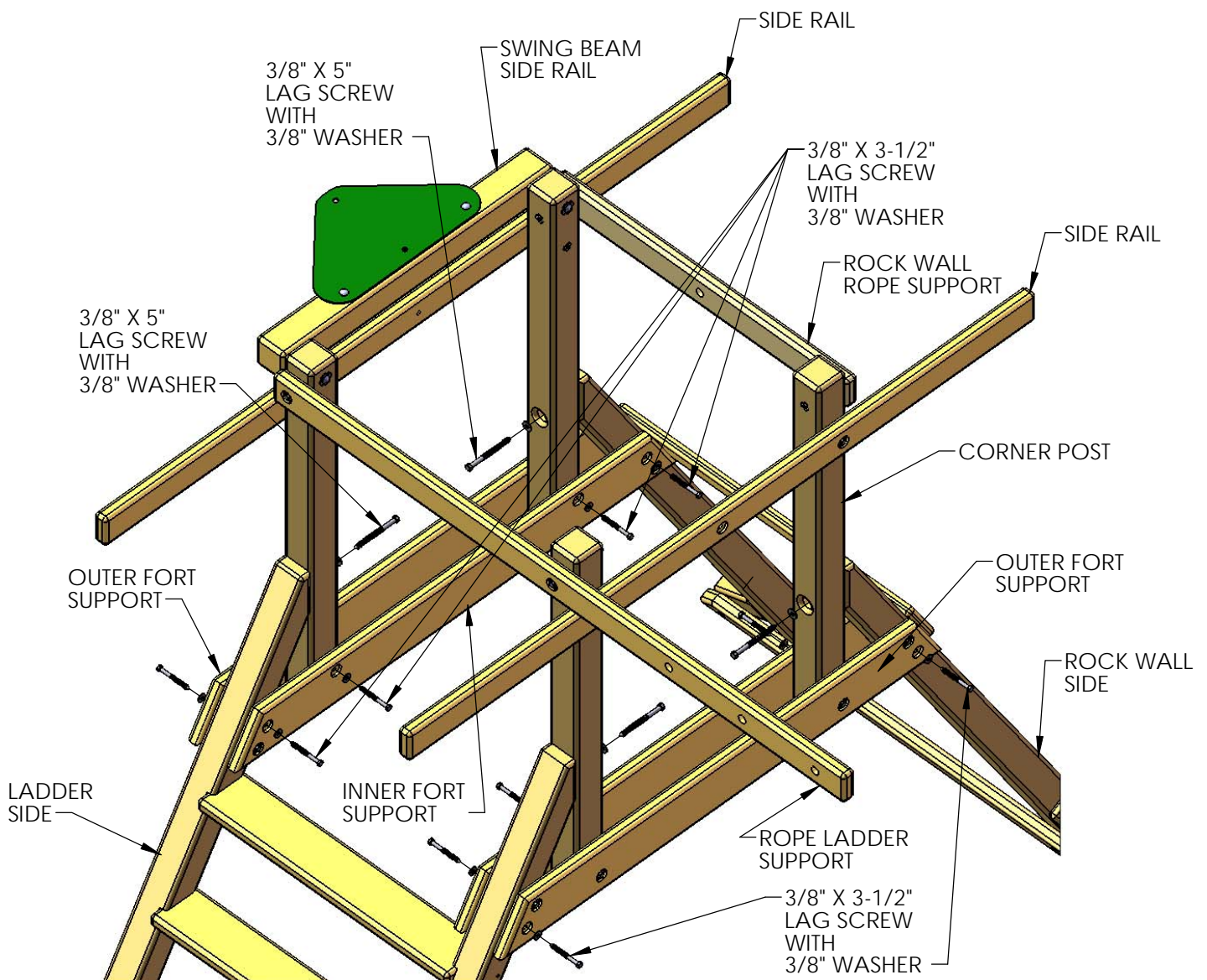
2: MAKE SURE THE LADDER LEG SIDES AND CORNER POST SIDES ARE FLUSH. INSTALL 3/8" X 5" LAG SCREWS WITH 3/8" WASHERS INTO THE COUNTERBORED HOLES IN THE CORNER POSTS TO CONNECT THE CORNER POSTS TO THE LADDER SIDES.

3: MAKE SURE THE ROCK WALL SIDES AND THE CORNER POST SIDES ARE FLUSH. INSTALL 3/8" X 5" LAG SCREWS WITH 3/8" WASHERS INTO THE COUNTERBORED HOLES IN THE CORNER POSTS TO CONNECT THE CORNER POSTS TO THE ROCK WALL SIDES.

4: FASTEN THE OUTER FORT SUPPORTS TO THE LADDER AND ROCK WALL SIDES WITH 3/8" X 3-1/2" LAG SCREWS AND 3/8" WASHERS.

5: NOW GO BACK AND TIGHTEN ALL THE BOLTS THAT FASTEN THE SIDE RAILS, ROPE LADDER SUPPORT, ROCK WALL ROPE SUPPORT AND SWING BEAM SIDE RAIL TO THE CORNER POSTS.

6: FINALLY INSTALL 3/8" X 3-1/2" LAG SCREWS WITH 3/8" WASHERS INTO THE FOUR HOLES IN EACH INNER FORT SUPPORT. THIS WILL CONNECT THE INNER FORT SUPPORTS TO THE LADDER SIDE, CORNER POSTS AND ROCK WALL SIDE.

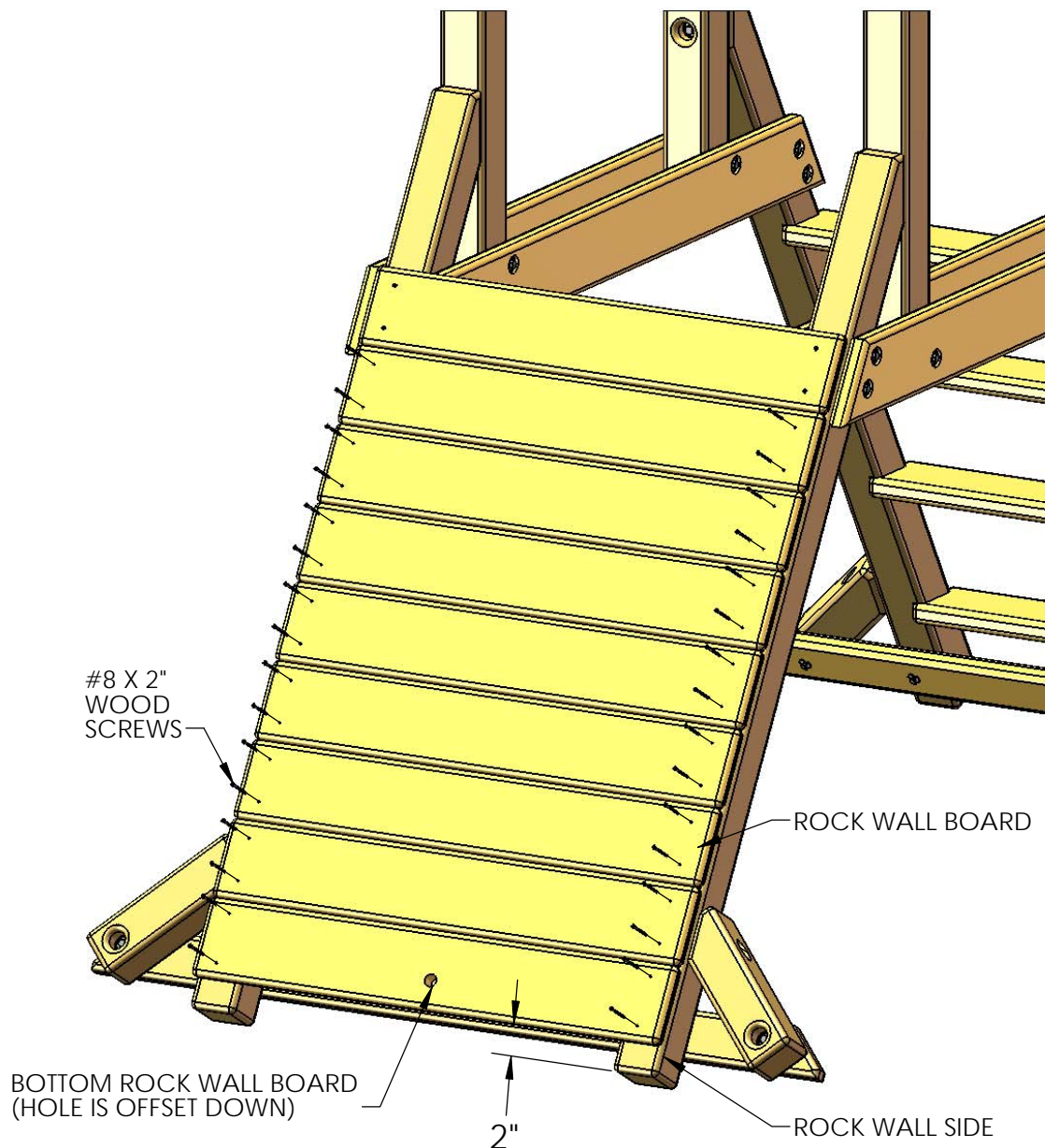


STEP 17: INSTALLING ROCK WALL BOARDS

1: INSTALL THE LOWER SURFACE OF THE BOTTOM ROCK WALL BOARD 2" FROM THE BOTTOM OF THE ROCK WALL SIDES. FASTEN THE BOTTOM ROCK WALL BOARD TO THE ROCK WALL SIDES WITH FOUR #8 X 2" WOOD SCREWS.

2: PLACE SEVEN ROCK WALL BOARDS BETWEEN THE BOTTOM ROCK WALL BOARD AND THE TOP ROCK WALL BOARD THAT IS ALREADY INSTALLED. EQUALLY SPACE THE ROCK WALL BOARDS. THERE WILL BE A 1/16" TO 3/16" GAP BETWEEN BOARDS DEPENDING UPON MILLING VARIATIONS.

3: ATTACH EACH ROCK WALL BOARD TO THE ROCK WALL SIDES WITH FOUR #8 X 2" WOOD SCREWS.

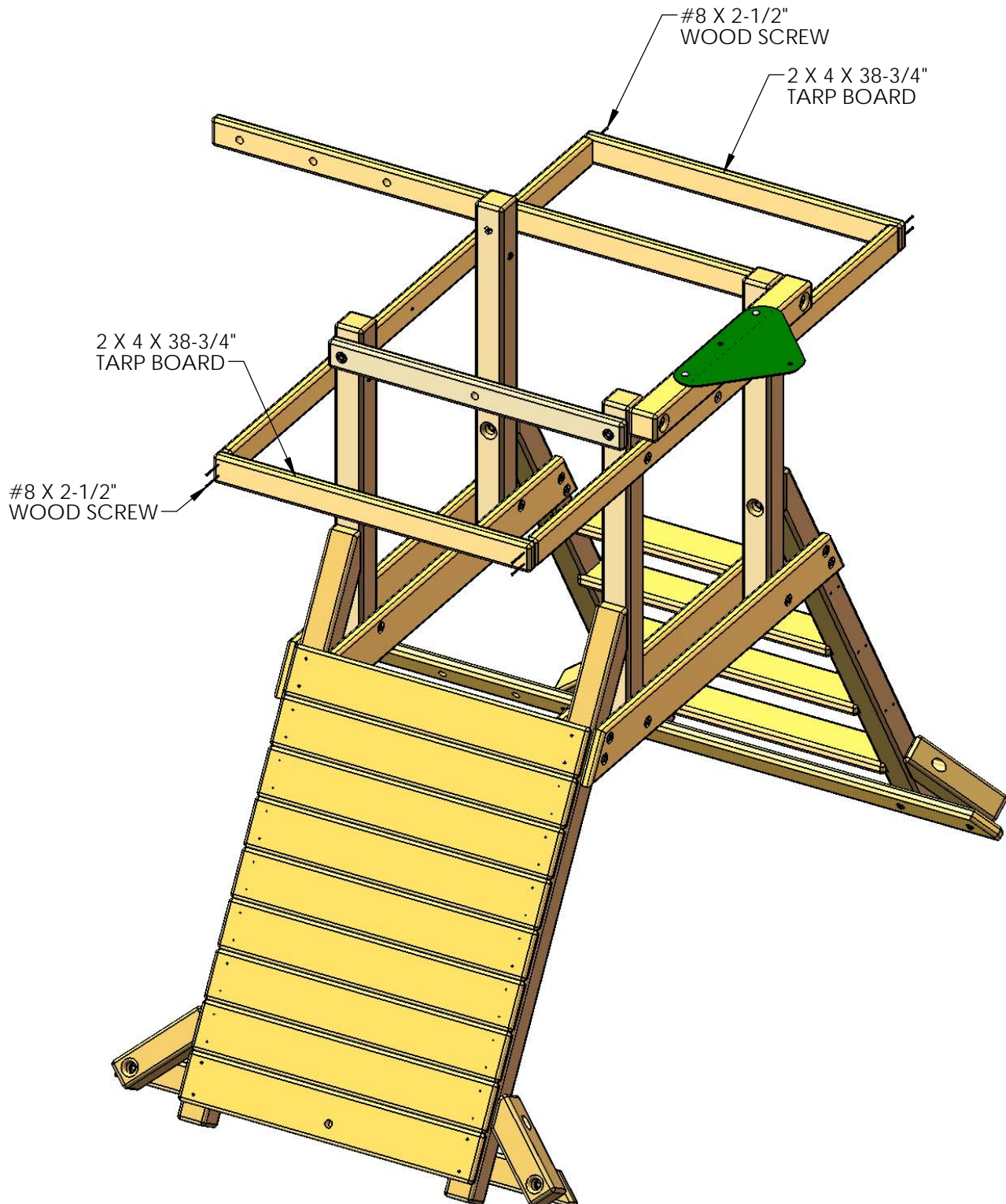


STEP 18: INSTALLING TARP BOARDS

1: LOCATE TWO 2 X 4 X 38-3/4" TARP BOARDS.

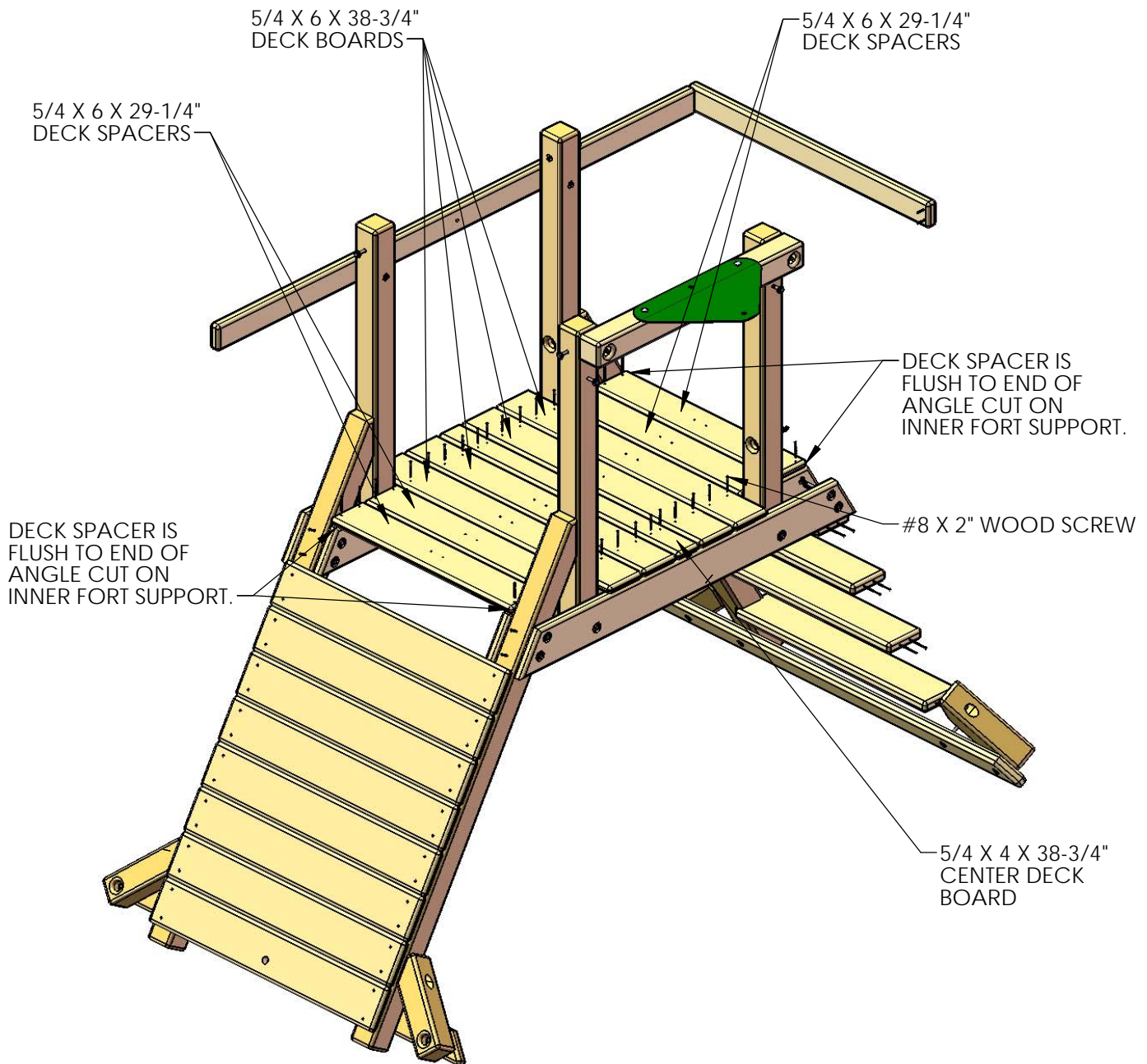
2: PLACE A TARP BOARD AT THE END OF THE SIDE RAILS. THE TARP BOARD TOP SHOULD BE FLUSH TO THE TOP OF THE SIDE RAILS. THE TARP BOARD ENDS SHOULD BE FLUSH TO THE OUTSIDE OF THE SIDE RAILS.

3: FASTEN EACH TARP BOARD TO THE SIDE RAILS WITH FOUR #8 X 2-1/2" WOOD SCREWS.



STEP 19: DECK

- 1: LOCATE FOUR 5/4 X 6 X 38-3/4" DECK BOARDS, FOUR 5/4 X 6 X 29-1/4" DECK SPACERS AND ONE 5/4 X 4 X 38-3/4" CENTER DECK BOARD.
- 2: LAY OUT THE DECK BOARDS ACROSS THE INNER AND OUTER FORT SUPPORTS AS SHOWN BELOW. THE DECK SPACERS ON THE OUTSIDE SHOULD BE EVEN WITH THE TOP OF THE ANGLE CUT ON THE INNER FORT SUPPORTS.
- 3: SPACE THE DECK BOARDS AND DECK SPACERS EVENLY ACROSS THE INNER/OUTER FORT SUPPORTS. THERE SHOULD BE APPROXIMATELY A 1/8" GAP BETWEEN BOARDS. THIS GAP MAY VARY DUE TO MILLING VARIATIONS.
- 4: ATTACH EACH DECK BOARD AND EACH DECK SPACER TO THE INNER FORT SUPPORTS WITH FOUR #8 X 2" WOOD SCREWS.

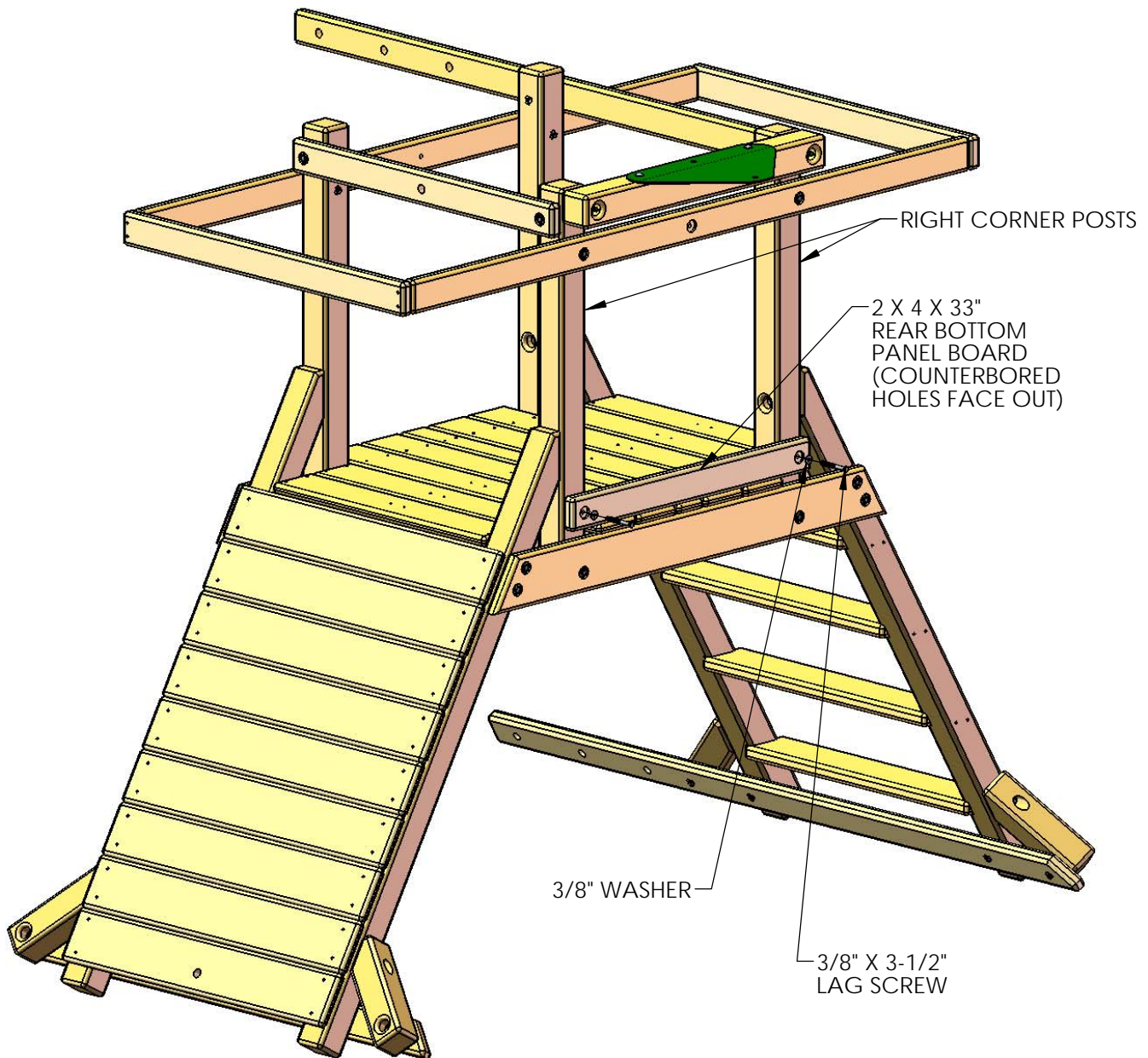


STEP 20: REAR BOTTOM PANEL BOARD

1: LOCATE THE 2 X 4 X 33" REAR BOTTOM PANEL BOARD.

2: PLACE THE REAR BOTTOM PANEL BOARD ON TOP OF THE DECK BOARDS AGAINST THE OUTSIDE OF THE RIGHT CORNER POSTS. THE COUNTERBORED HOLES IN THE REAR BOTTOM PANEL BOARD FACE OUT.

3: ATTACH THE REAR BOTTOM PANEL BOARD TO THE CORNER POSTS WITH TWO 3/8" X 3-1/2" LAG SCREWS AND TWO 3/8" WASHERS.

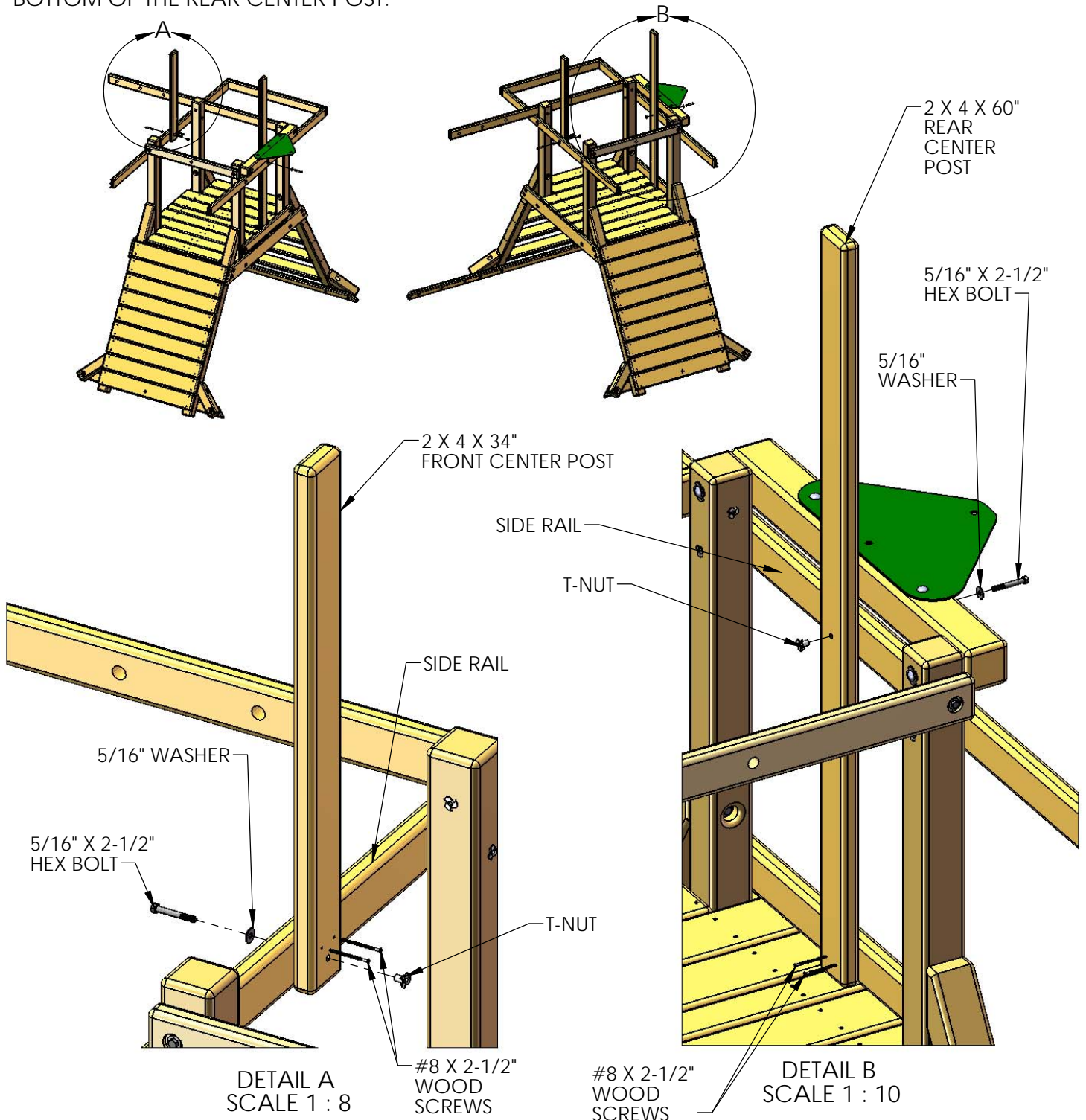


STEP 21: CENTER POSTS

1: LOCATE THE 2 X 4 X 34" FRONT CENTER POST AND THE 2 X 4 X 60" REAR CENTER POST.

2: (SEE DETAIL A) INSTALL A T-NUT INTO THE HOLE IN THE FRONT CENTER POST. LINE UP THE HOLE IN THE FRONT CENTER POST WITH THE HOLE IN THE SIDE RAIL. ATTACH THE FRONT CENTER POST TO THE SIDE RAIL WITH A 5/16" X 2-1/2" HEX BOLT AND A 5/16" WASHER. SQUARE THE FRONT CENTER POST TO THE SIDE RAIL AND INSTALL TWO #8 X 2-1/2" WOOD SCREWS INTO THE PREDRILLED HOLES.

3: (SEE DETAIL B) INSTALL A T-NUT INTO THE HOLE IN THE REAR CENTER POST. LINE UP THE HOLE IN THE REAR CENTER POST WITH THE HOLE IN THE SIDE RAIL. ATTACH THE REAR CENTER POST TO THE SIDE RAIL WITH A 5/16" X 2-1/2" HEX BOLT AND A 5/16" WASHER. SQUARE THE REAR CENTER POST TO THE SIDE RAIL. INSTALL TWO #8 X 2-1/2" WOOD SCREWS INTO THE PREDRILLED HOLES AT THE BOTTOM OF THE REAR CENTER POST.

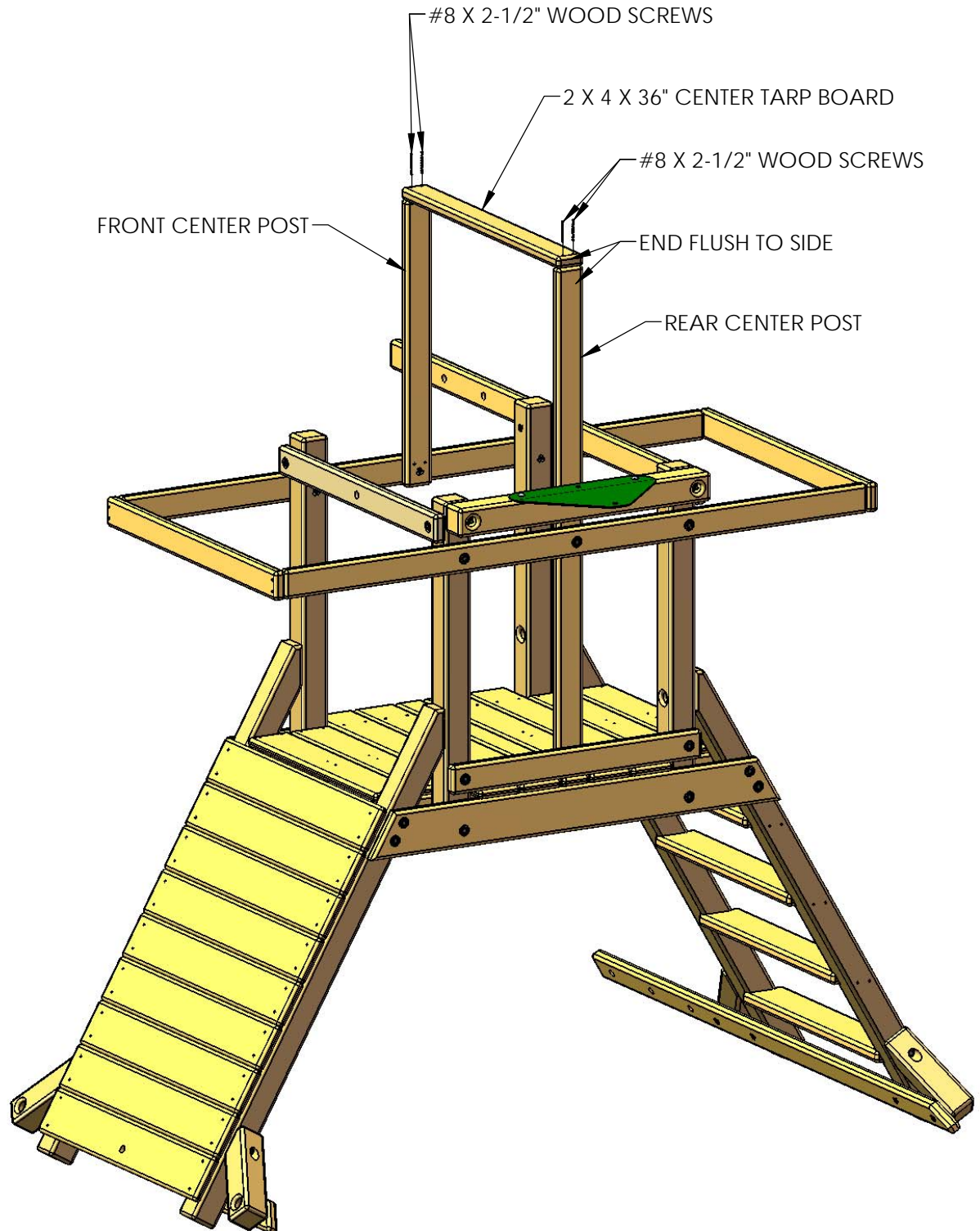


STEP 22: CENTER TARP BOARD

1: LOCATE THE 2 X 4 X 36" CENTER TARP BOARD.

2: PLACE THE CENTER TARP BOARD ON TOP OF THE FRONT CENTER POST AND REAR CENTER POST. THE ENDS OF THE CENTER TARP BOARD SHOULD BE FLUSH TO THE SIDES OF THE FRONT AND REAR CENTER POSTS.

3: ATTACH THE CENTER TARP BOARD TO THE CENTER POSTS WITH FOUR #8 X 2-1/2" WOOD SCREWS.

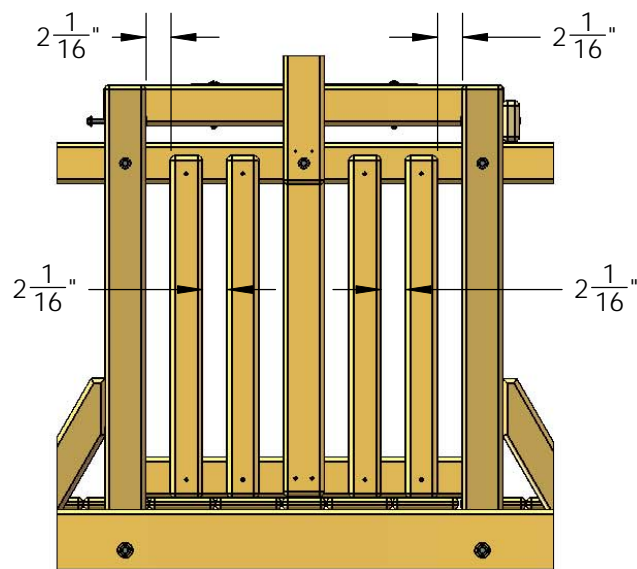
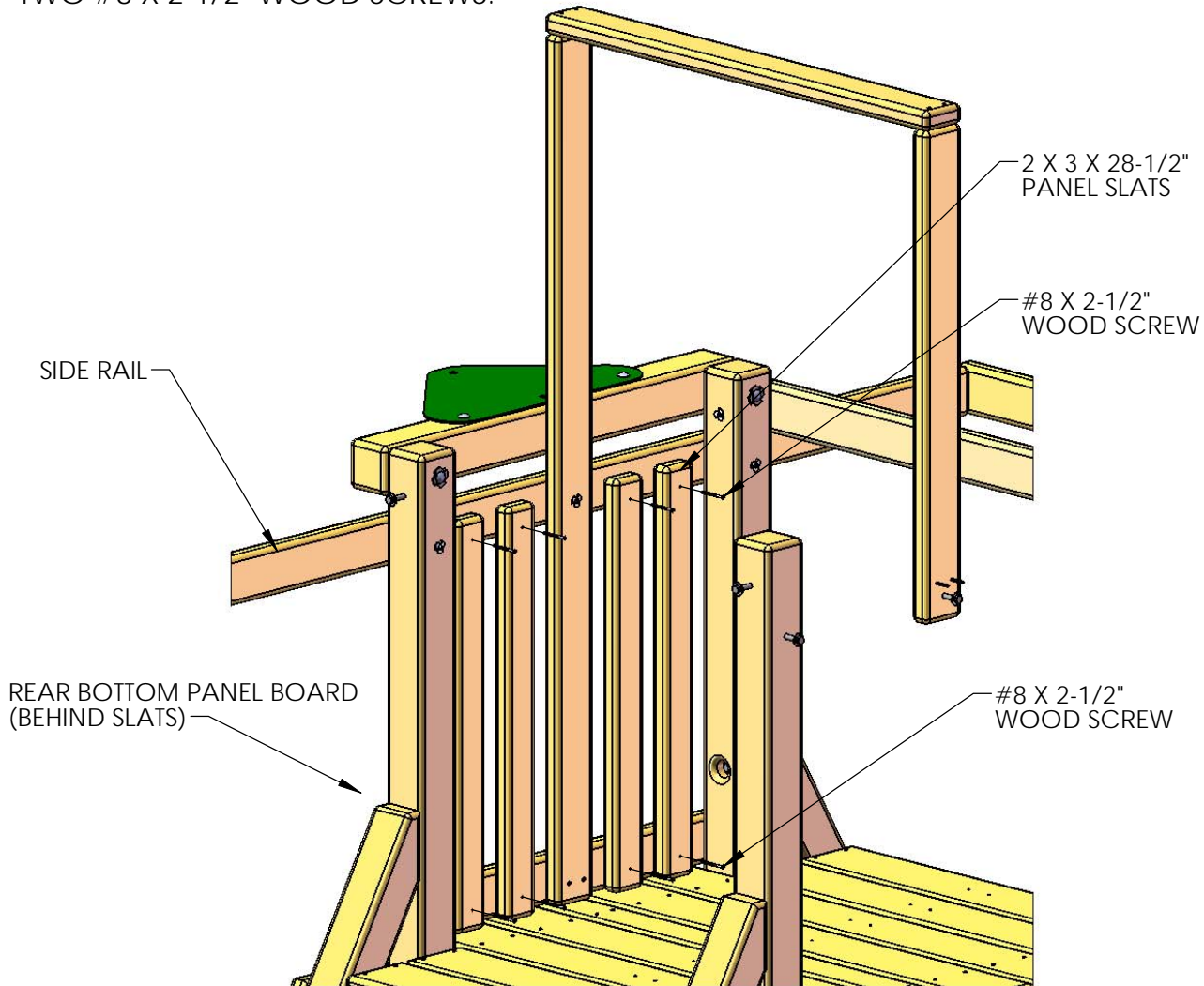


STEP 23: PANEL SLATS

1: LOCATE FOUR 2 X 3 X 28-1/2" PANEL SLATS.

2: SPACE THE PANEL SLATS AT THE DIMENSIONS SHOWN BELOW AGAINST THE SIDE RAIL AND THE REAR BOTTOM PANEL BOARD. THE BOTTOM END OF EACH PANEL SLAT SHOULD REST ON TOP OF THE DECK BOARDS.

3: ATTACH EACH PANEL SLAT TO THE SIDE RAIL AND REAR BOTTOM PANEL BOARD WITH TWO #8 X 2-1/2" WOOD SCREWS.



STEP 24: CENTER DECK SUPPORT

1: LOCATE THE 2 X 4 X 47" CENTER DECK SUPPORT.

2: YOU ARE GOING TO USE THE CENTER DECK SUPPORT HOLES AS A TEMPLATE IN THIS STEP TO DRILL HOLES THROUGH TWO DECK BOARDS.

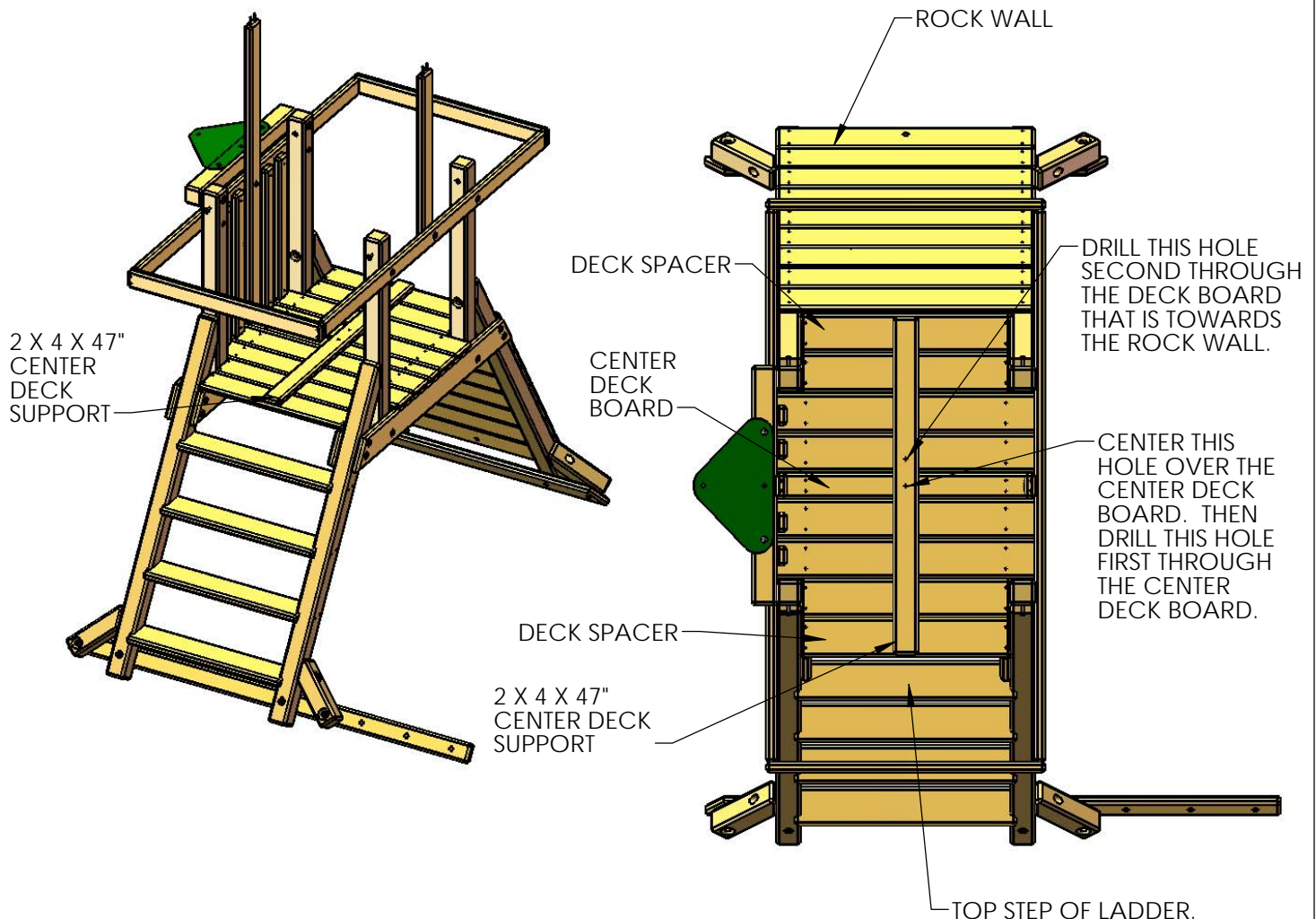
3: PLACE THE 2 X 4 X 47" CENTER DECK SUPPORT CENTERED BETWEEN THE CORNER POSTS ON TOP OF THE DECK BOARDS. THE MIDDLE HOLE SHOULD BE CENTERED OVER THE CENTER DECK BOARD. THE OTHER HOLE SHOULD LIE OVER THE TOP OF THE DECK BOARD THAT IS TOWARDS THE ROCK WALL.

4: HOLD THE CENTER DECK SUPPORT DOWN WITH YOUR KNEE OR HAVE AN ASSISTANT HOLD THE BOARD AGAINST THE DECK WHILE YOU DRILL HOLES.

5: DRILL THE CENTER HOLE FIRST WITH A 3/8" DIAMETER DRILL BIT THROUGH THE CENTER DECK BOARD. PLACE A 3/8" X 3-1/2" CARRIAGE BOLT INTO THE HOLE.

6: DRILL THE OTHER HOLE SECOND WITH A 3/8" DIAMETER DRILL BIT THROUGH THE HOLE TOWARDS THE ROCK WALL.

7: REMOVE THE CENTER DECK SUPPORT AND THE CARRIAGE BOLT FROM THE DECK BOARDS.



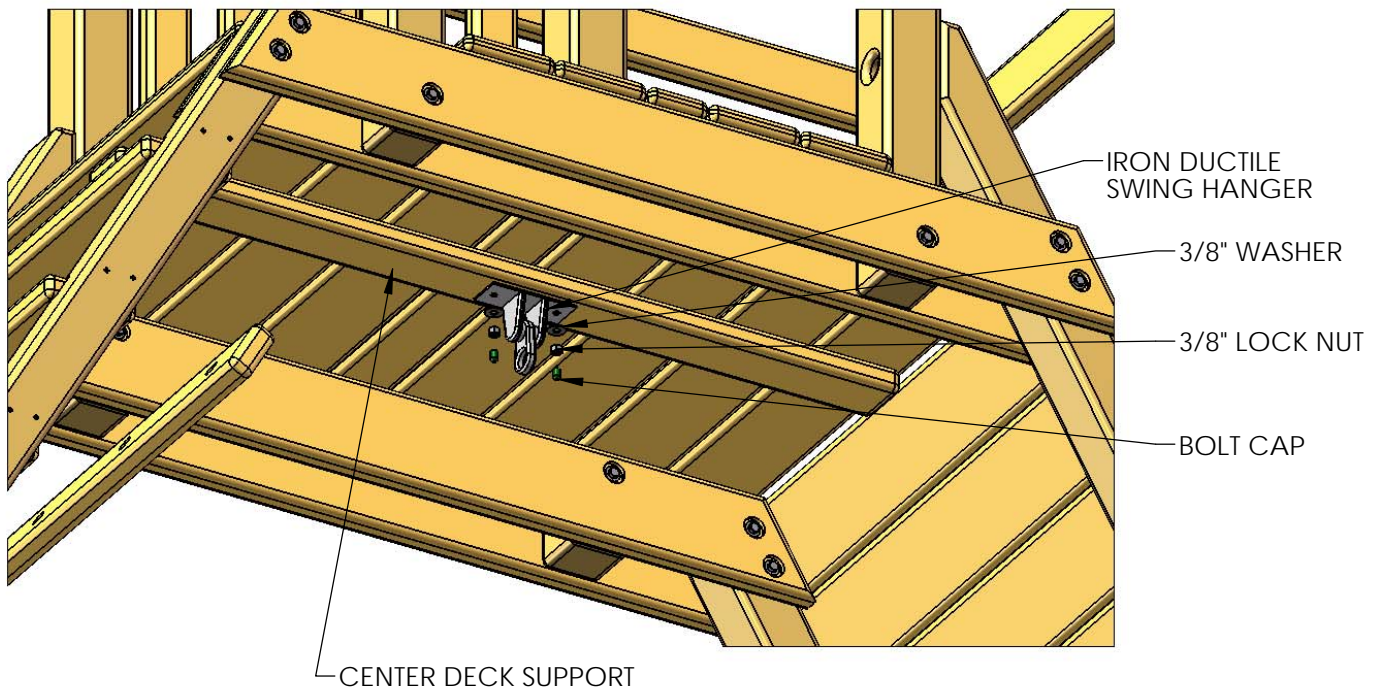
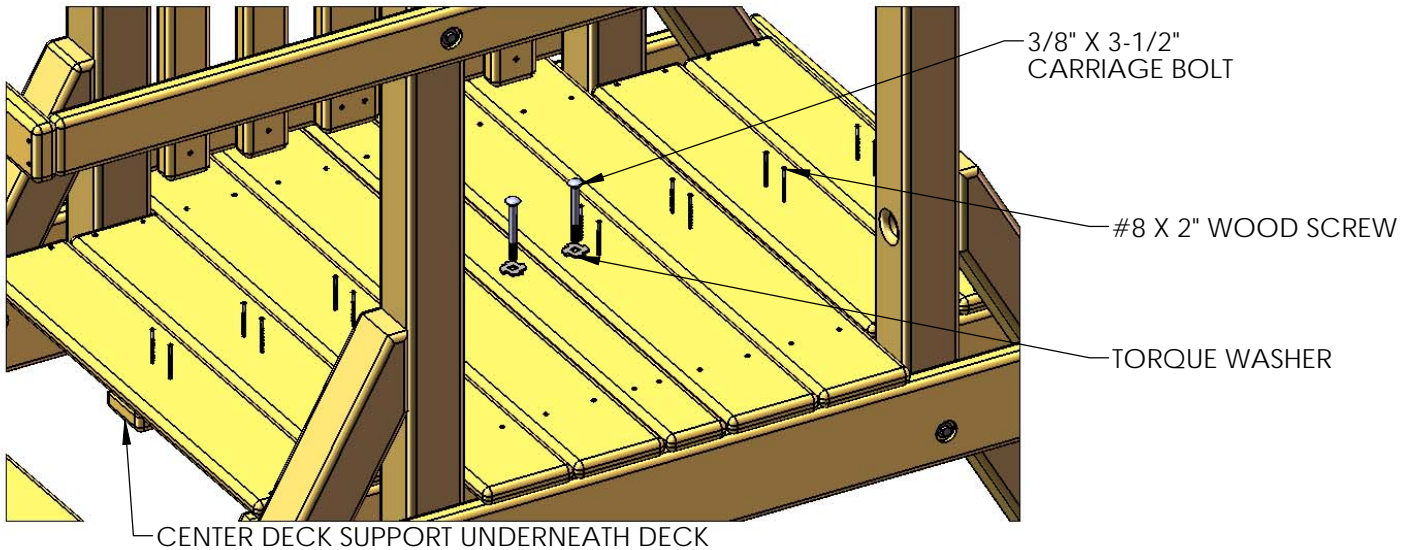
THIS IS THE **TOP VIEW** LOOKING DOWN OVER THE DECK.

STEP 25: CENTER DECK SUPPORT AND HANGER

1: PLACE A 3/8" X 3-1/2" CARRIAGE BOLT THROUGH A TORQUE WASHER. PLACE THE CARRIAGE BOLT INTO A 3/8" HOLE IN THE TOP OF THE DECK. HAMMER THE CARRIAGE BOLT HEAD TO SET THE TORQUE WASHER TEETH INTO THE DECK BOARDS. REPEAT THIS PROCESS FOR THE OTHER HOLE YOU DRILLED IN THE DECK.

2: LINE UP THE HOLES IN THE CENTER DECK SUPPORT WITH THE CARRIAGE BOLTS UNDER THE DECK. PLACE THE IRON DUCTILE SWING HANGER OVER THE END OF THE CARRIAGE BOLTS. SECURE THE SWING HANGER TO THE CARRIAGE BOLTS WITH 3/8" LOCK NUTS AND 3/8" WASHERS. PLACE BOLT CAPS OVER ANY EXPOSED THREADS.

3: GO TO THE TOP OF THE DECK AND SECURE EACH DECK BOARD WITH PREDRILLED HOLES TO THE CENTER DECK SUPPORT WITH TWO #8 X 2" WOOD SCREWS.

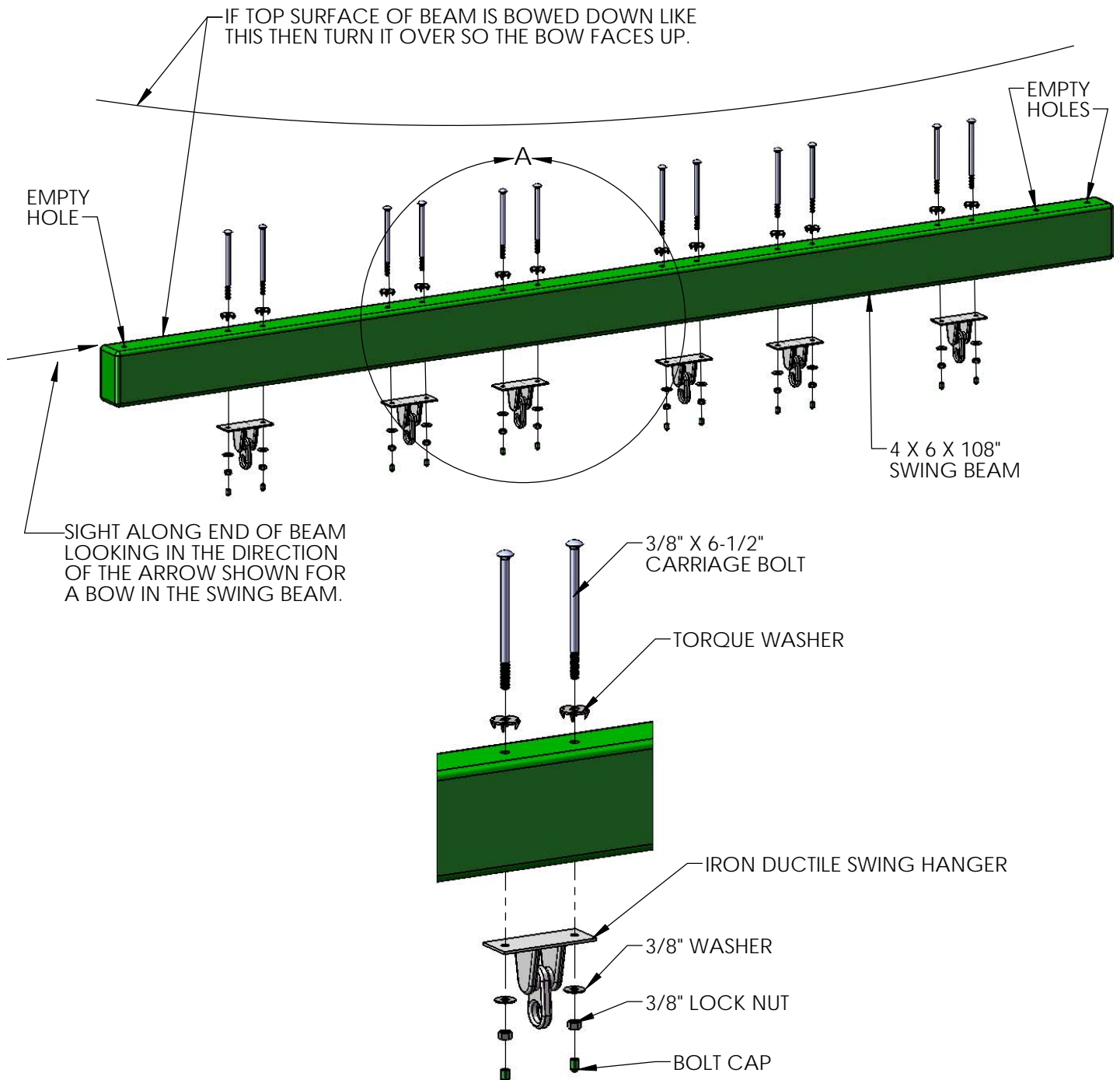


STEP 26: IRON DUCTILE SWING HANGERS

1: SIGHT DOWN THE LENGTH OF YOUR 4 X 6 X 108" SWING BEAM. IF THE TOP SURFACE OF THE BEAM IS BOWED DOWN THEN TURN IT OVER SO THE BOW IS UP.

2: PLACE 3/8" X 6-1/2" CARRIAGE BOLTS WITH TORQUE WASHERS INTO THE HOLES SHOWN BELOW TO ATTACH THE IRON DUCTILE SWING HANGERS. USE A HAMMER TO SET THE TEETH OF EACH TORQUE WASHER INTO THE TOP OF THE SWING BEAM.

3: PLACE AN IRON DUCTILE SWING HANGER OVER THE ENDS OF THE CARRIAGE BOLTS. FASTEN THE SWING HANGER TO THE SWING BEAM WITH 3/8" LOCK NUTS AND 3/8" WASHERS. PLACE BOLT CAPS OVER ANY EXPOSED THREADS. REPEAT THIS PROCESS FOR THE REMAINING FIVE SWING HANGERS.

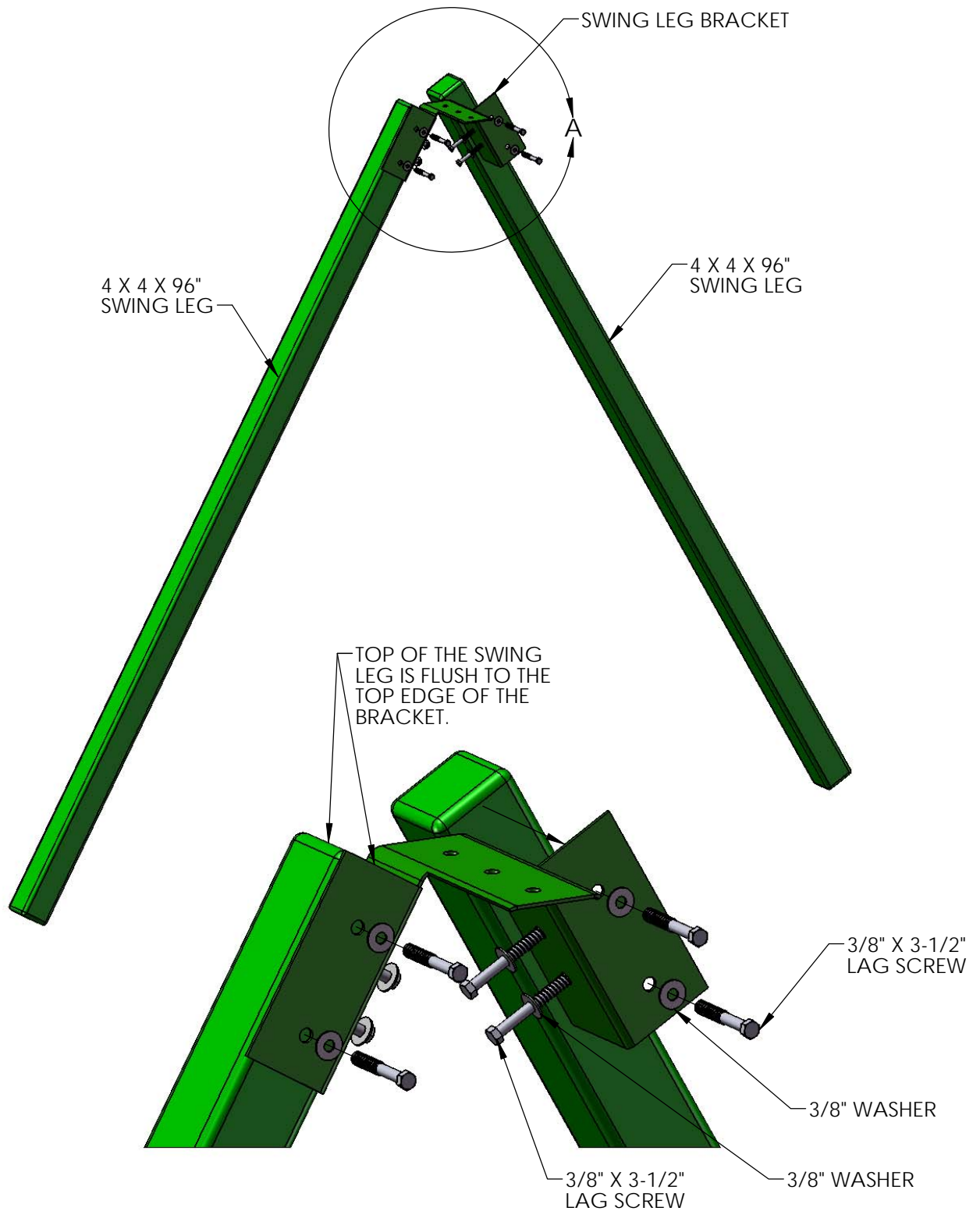


DETAIL A
SCALE 1 : 7

STEP 27: ATTACH SWING LEGS TO BRACKET

1: PLACE EACH SWING LEG INSIDE THE ANGLED PART OF THE SWING LEG BRACKET AS SHOWN BELOW. THE TOP OF THE SWING LEG SHOULD BE FLUSH TO THE TOP EDGE OF THE BRACKET AS SHOWN BELOW.

2: ATTACH EACH SWING LEG TO THE SWING LEG BRACKET WITH FOUR 3/8" X 3-1/2" LAG SCREWS AND 3/8" WASHERS.



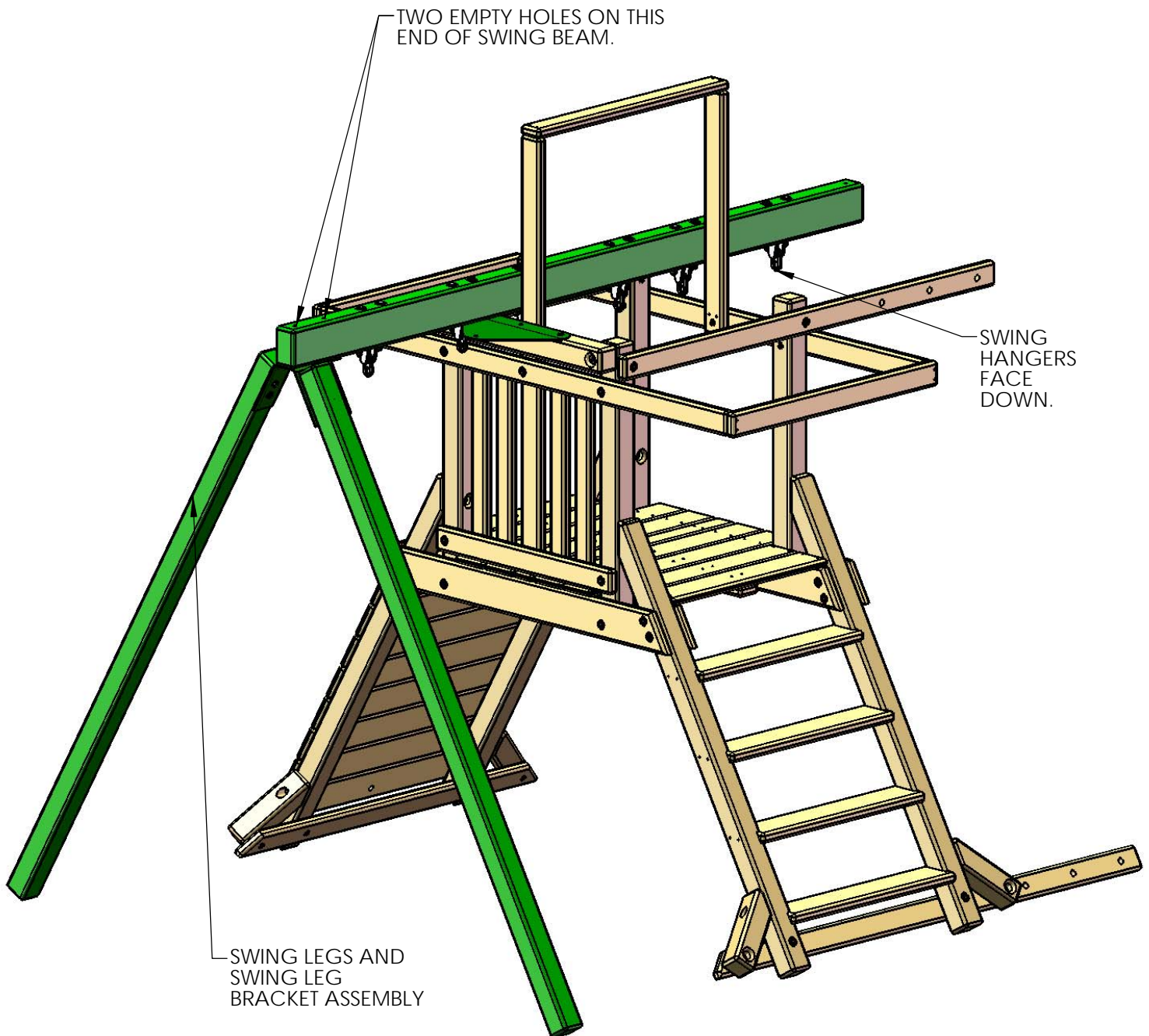
DETAIL A
SCALE 1 : 5

STEP 28: REST SWING BEAM ON FORT

***TWO PEOPLE ARE REQUIRED FOR THIS STEP**

1: LAY THE SWING BEAM ACROSS THE FORT AND POSITION THE SWING LEGS UNDERNEATH THE END OF THE BEAM. NOTE THE END OF THE SWING BEAM WITH TWO EMPTY HOLES WILL BE POSITIONED OVER THE LEGS.

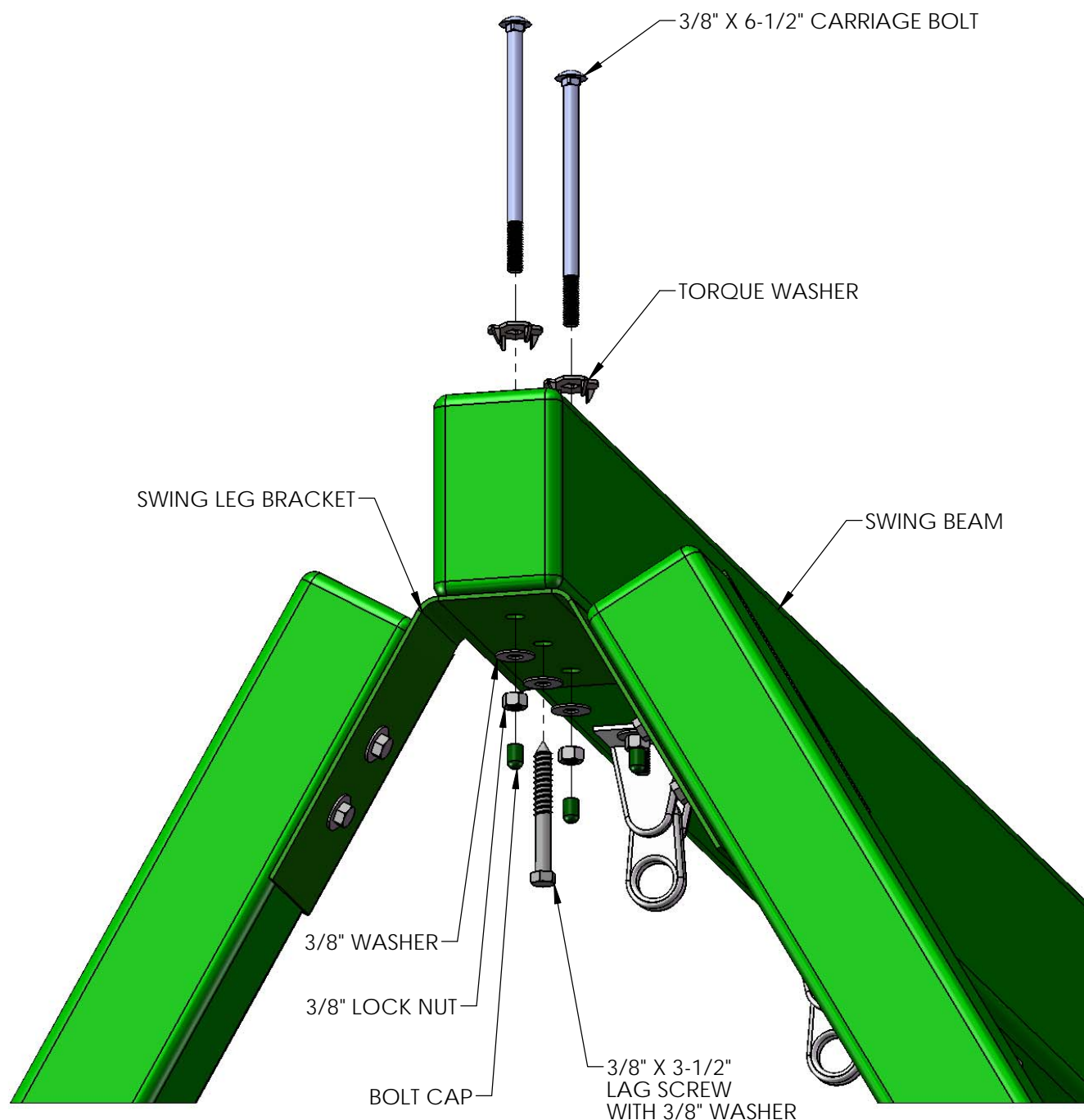
2: LINE UP THE PREDRILLED HOLES IN THE SWING BEAM WITH THE HOLES IN THE SWING LEG BRACKET. THE IRON DUCTILE SWING HANGERS SHOULD BE FACING DOWN.



STEP 29: ATTACH SWING BEAM TO SWING BEAM LEGS

1: FASTEN THE SWING BEAM TO THE SWING LEG BRACKET WITH 3/8" X 6-1/2" CARRIAGE BOLTS AND TORQUE WASHERS ON TOP OF THE SWING BEAM AND 3/8" LOCK NUTS WITH WASHERS UNDERNEATH. USE BOLT CAPS TO COVER ANY EXPOSED THREADS.

2: FASTEN THE CENTER HOLE IN THE SWING LEG BRACKET TO THE SWING BEAM WITH A 3/8" X 3-1/2" LAG SCREW AND A 3/8" WASHER.



STEP 30: ATTACH SWING BEAM TO PLAY SET

*TWO PEOPLE ARE REQUIRED FOR THIS STEP

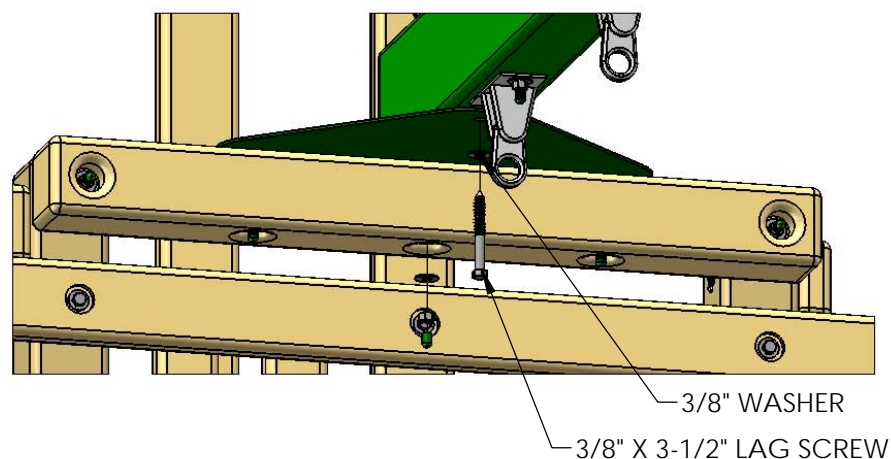
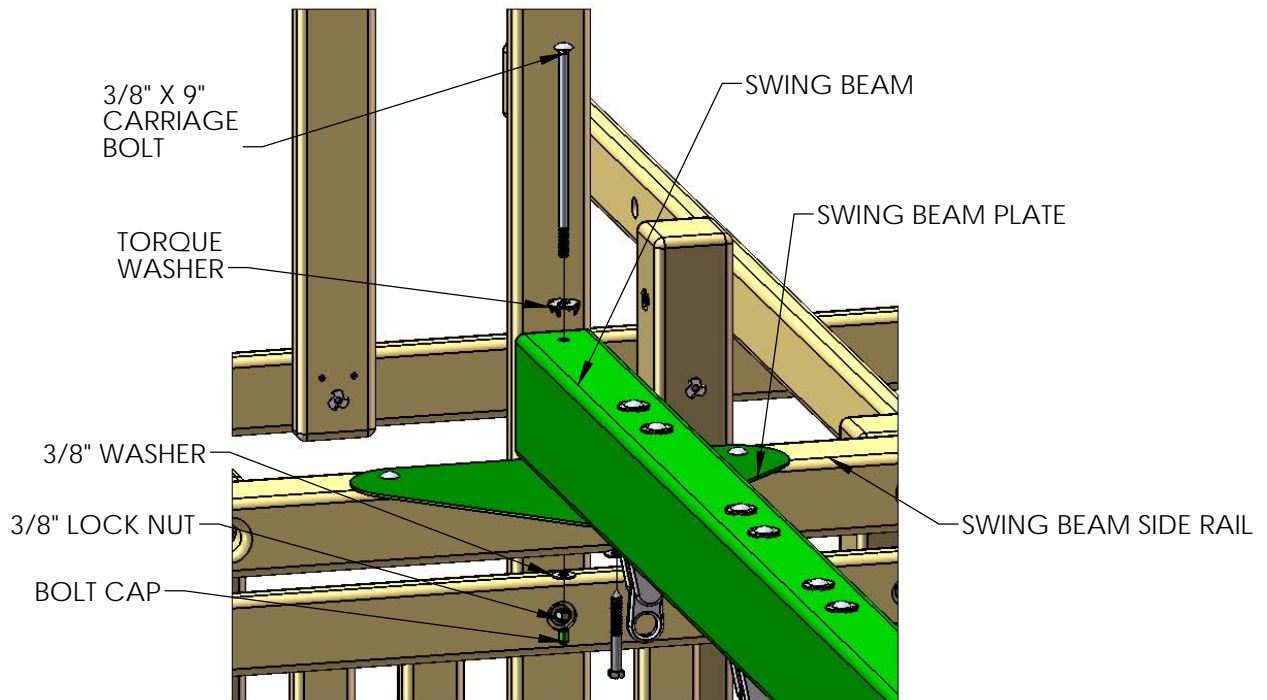
1: AFTER THE LEGS ARE ATTACHED, HAVE ONE PERSON ON THE GROUND PICK UP THE SWING BEAM BY THE LEGS. THE SECOND PERSON WILL STAND ON THE PLAY SET DECK AND PICK UP THE SWING BEAM. THE PERSON WITH THE LEG END WILL WALK AWAY FROM THE PLAY SET WHILE THE PERSON ON THE DECK LIFTS THE SWING BEAM.

2: ONCE THE END OF THE SWING BEAM HAS BEEN REACHED BY THE PERSON ON THE DECK, PLACE THE END OF THE SWING BEAM ON TOP OF THE TRIANGULAR SHAPED SWING BEAM PLATE. LINE UP THE HOLE IN THE END OF THE SWING BEAM WITH THE MIDDLE HOLE IN THE SWING BEAM PLATE.

4: FASTEN THE SWING BEAM TO THE SWING BEAM PLATE AND SWING BEAM SIDE RAIL WITH A 3/8" X 9" CARRIAGE BOLT WITH A TORQUE WASHER ON TOP AND A 3/8" LOCK NUT WITH 3/8" WASHER ON THE BOTTOM. PLACE A BOLT CAP OVER THE EXPOSED THREADS ON THE BOTTOM OF THE 9" CARRIAGE BOLT.

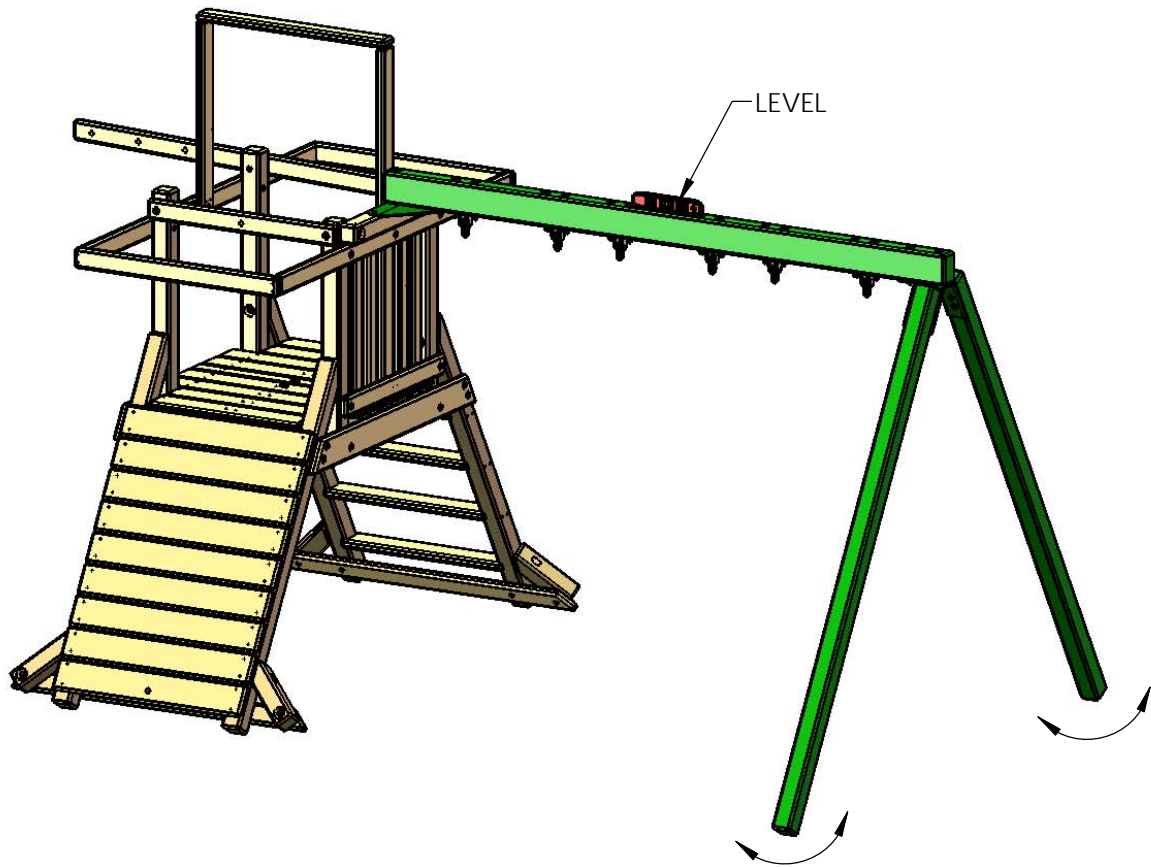
5: MAKE SURE THE SWING BEAM IS CENTERED OVER THE OUTER HOLE IN THE SWING BEAM PLATE. TO ACCOMPLISH THIS YOU MAY ALSO USE A SQUARE TO SQUARE THE SWING BEAM TO THE SWING BEAM SIDE RAIL.

6: FASTEN THE SWING BEAM TO THE SWING BEAM PLATE FROM UNDERNEATH WITH A 3/8" X 3-1/2" LAG SCREW AND A 3/8" WASHER.



STEP 31: LEVEL THE SWING BEAM

1: PLACE A LEVEL ON TOP OF THE SWING BEAM AND ADJUST THE LEGS IN OR OUT AS NEEDED TO MAKE THE SWING BEAM LEVEL.

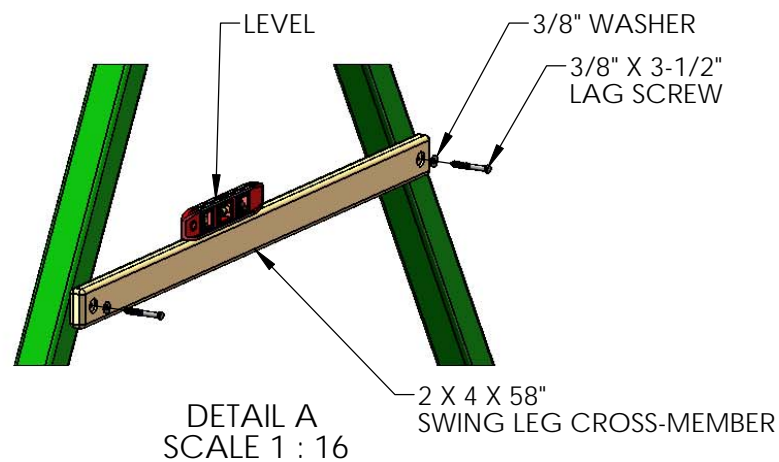
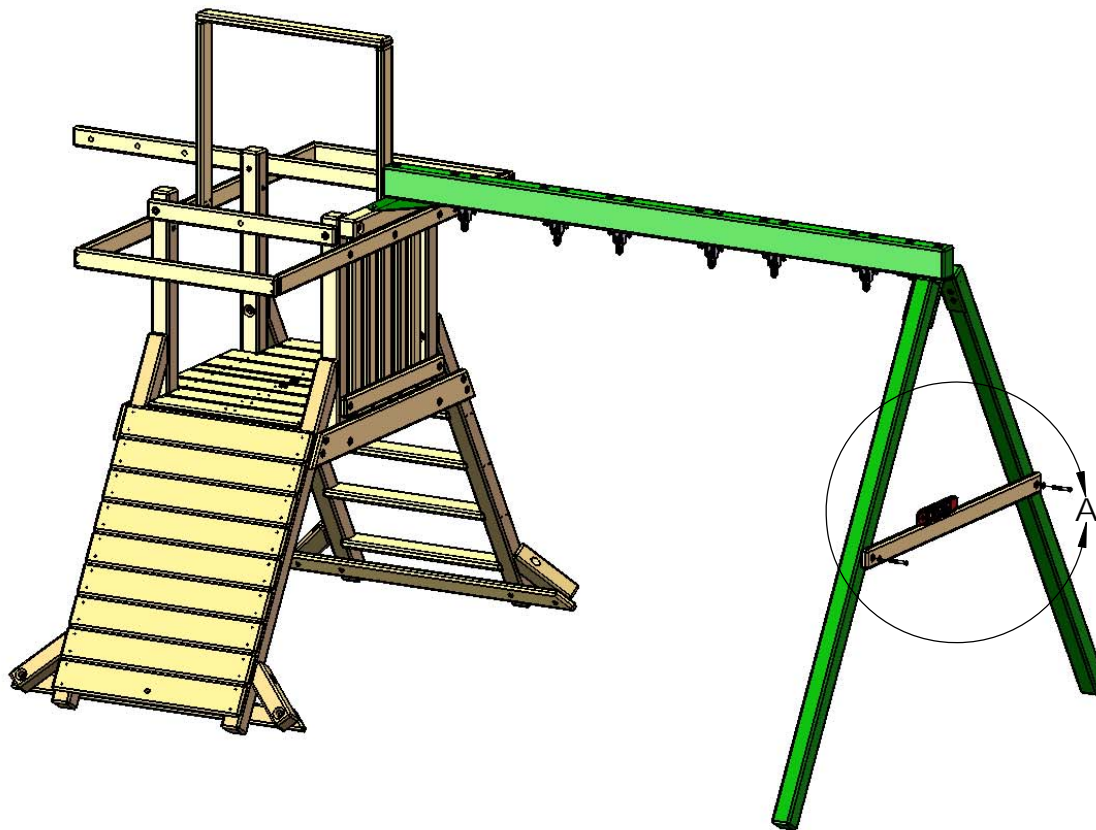


STEP 32: SWING LEG CROSS-MEMBER

1: POSITION THE 2 X 4 X 58" SWING LEG CROSS-MEMBER AGAINST THE OUTSIDE OF THE SWING BEAM LEGS.

2: LEVEL THE CROSS-MEMBER AND CENTER THE HOLES OVER THE CENTER OF THE SWING LEGS.

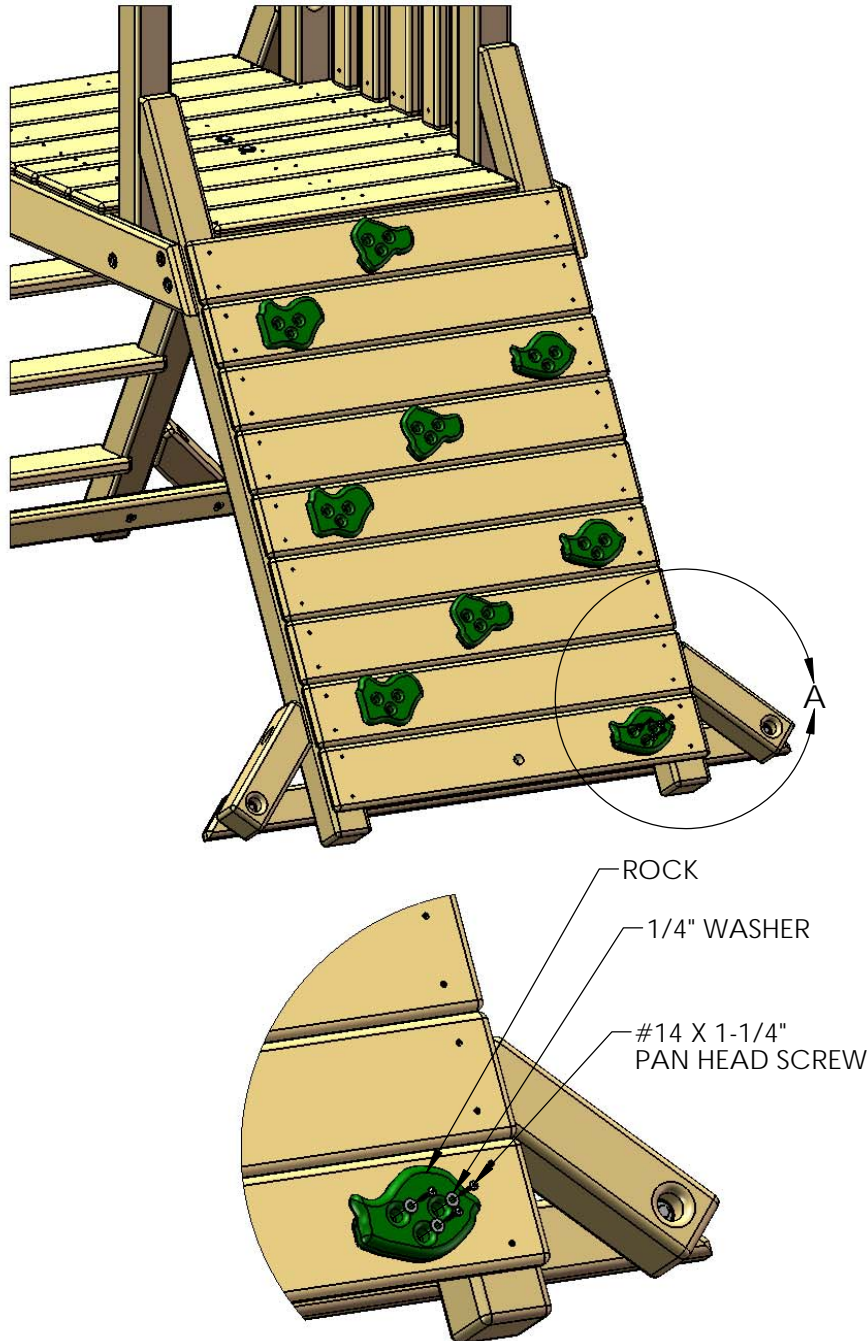
3: FASTEN THE CROSS-MEMBER TO THE SWING LEGS WITH 3/8" X 3-1/2" LAG SCREWS AND 3/8" WASHERS.



STEP 33: INSTALLING THE ROCKS

1: THE ROCKS SHOULD FOLLOW THE GENERAL STAGGERED LAYOUT SHOWN BELOW. HOWEVER, A DIFFERENT LAYOUT MAY BE USED.

2: THE ROCKS INCLUDED WITH YOUR PLAY SET MAY VARY. THE #14 X 1-1/4" PAN HEAD SCREWS AND 1/4" WASHERS INCLUDED WITH THE ROCKS WILL BE USED TO ATTACH THEM TO THE ROCK WALL BOARDS.



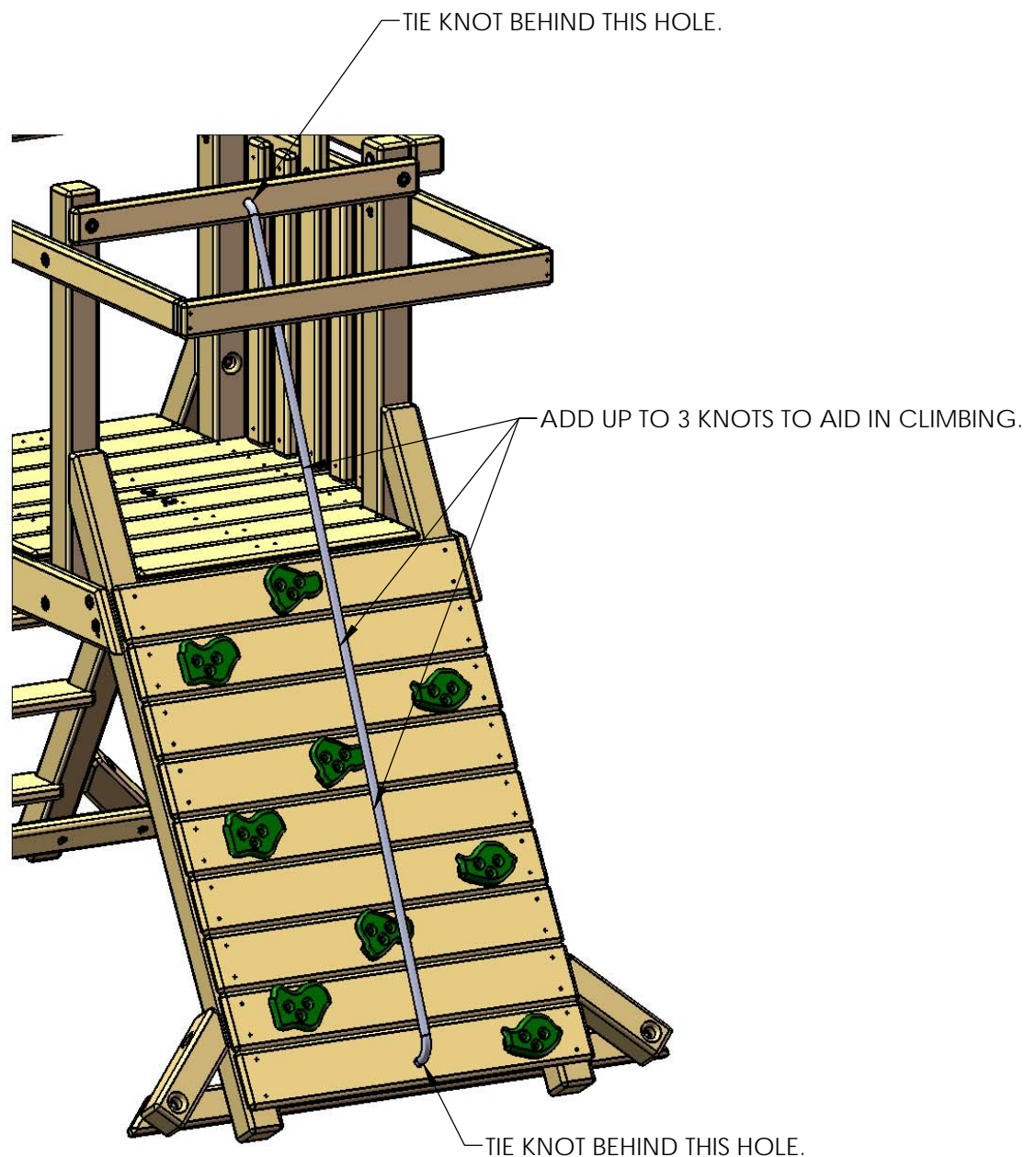
DETAIL A
SCALE 1 : 8

STEP 34: CLIMBING ROPE

1: THREAD THE END OF THE CLIMBING ROPE THROUGH THE HOLE IN THE ROCK WALL ROPE SUPPORT. TIE A SECURE KNOT ON THE INSIDE OF THE ROCK WALL ROPE SUPPORT. YOU MAY ADD UP TO 3 KNOTS ALONG THE LENGTH OF THE ROPE TO AID IN CLIMBING. PLACE THE KNOTS ALONG THE ROPE IN POSITIONS SUITABLE FOR YOUR CHILD.

2: THREAD THE BOTTOM END OF THE ROPE THROUGH THE HOLE IN THE BOTTOM ROCK WALL BOARD. PULL THE ROPE TIGHT AND TIE A SECURE KNOT BEHIND THE BOTTOM ROCK WALL BOARD.

3: NOW GRAB THE ROPE AND ATTEMPT TO WRAP IT AROUND YOUR HAND. IF THE ROPE WRAPS AROUND YOUR HAND IT IS TOO LOOSE. IF THE ROPE IS TOO LOOSE UNTIE THE KNOT BEHIND THE ROCK WALL ROPE SUPPORT AND RETIE IT UNTIL YOU CAN NO LONGER WRAP THE ROPE AROUND YOUR HAND.



STEP 35: ROPE LADDER

1: FIND THE THREE ROPE LADDER ROPES. MAKE A KNOT IN THE END OF EACH ROPE AND THREAD THE FREE END THROUGH THE BACK SIDE OF THE ROPE LADDER SUPPORT. PULL EACH ROPE TAUGHT.

2: MEASURE FROM THE BOTTOM OF THE ROPE LADDER SUPPORT DOWN 8 INCHES AND TIE A KNOT. THE TOP OF THE KNOT SHOULD BE 8 INCHES BELOW THE BOTTOM OF THE ROPE LADDER SUPPORT. SLIDE EACH ROPE THROUGH THE HOLES IN ONE ROPE LADDER RUNG. SLIDE THE RUNG UP AGAINST THE BOTTOM OF THE KNOTS.

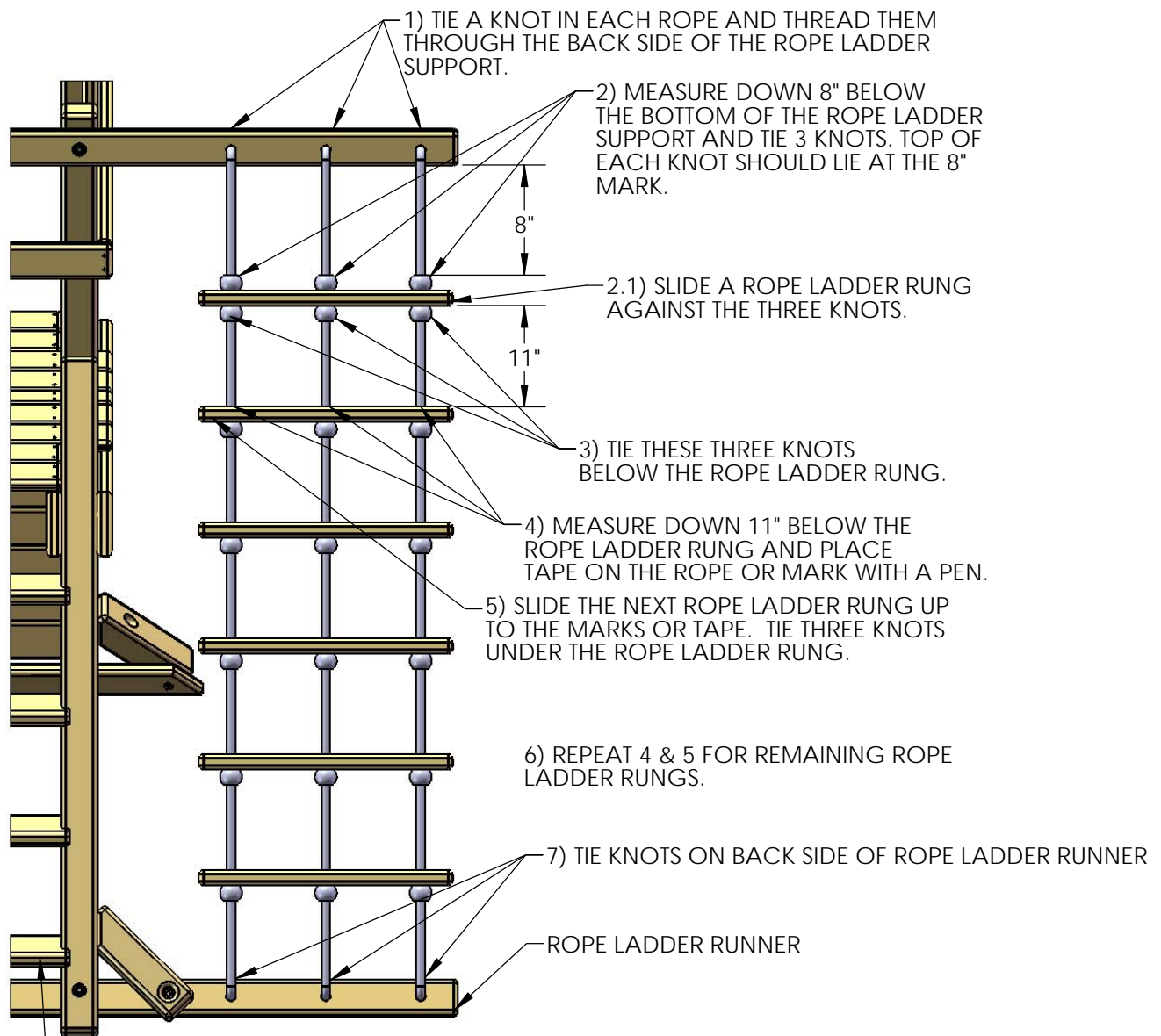
3: TIE THREE KNOTS BELOW THE ROPE LADDER RUNG.

4: MEASURE DOWN FROM THE BOTTOM OF THE ROPE LADDER RUNG 11 INCHES AND MAKE A MARK ON THE ROPE WITH A PIECE OF TAPE OR A MARKER. THREAD ANOTHER ROPE LADDER RUNG ONTO THE ROPES.

5: WITH THE TOP OF THE RUNG EVEN WITH THE 11 INCH MARK TIE THREE KNOTS BELOW THE SECOND LADDER RUNG.

6: REPEAT SUBSTEPS 4-5 FOR THE REMAINING ROPE LADDER RUNGS.

7: THREAD THE BOTTOM END OF EACH ROPE THROUGH THE HOLES IN THE ROPE LADDER RUNNER. GRAB EACH ROPE AND ATTEMPT TO WRAP IT AROUND YOUR HAND. IF THE ROPE WRAPS AROUND YOUR HAND IT IS TOO LOOSE. IF THE ROPE IS TOO LOOSE UNTIE THE KNOT BEHIND THE ROPE LADDER RUNNER AND RETIE IT UNTIL YOU CAN NO LONGER WRAP THE ROPE AROUND YOUR HAND.



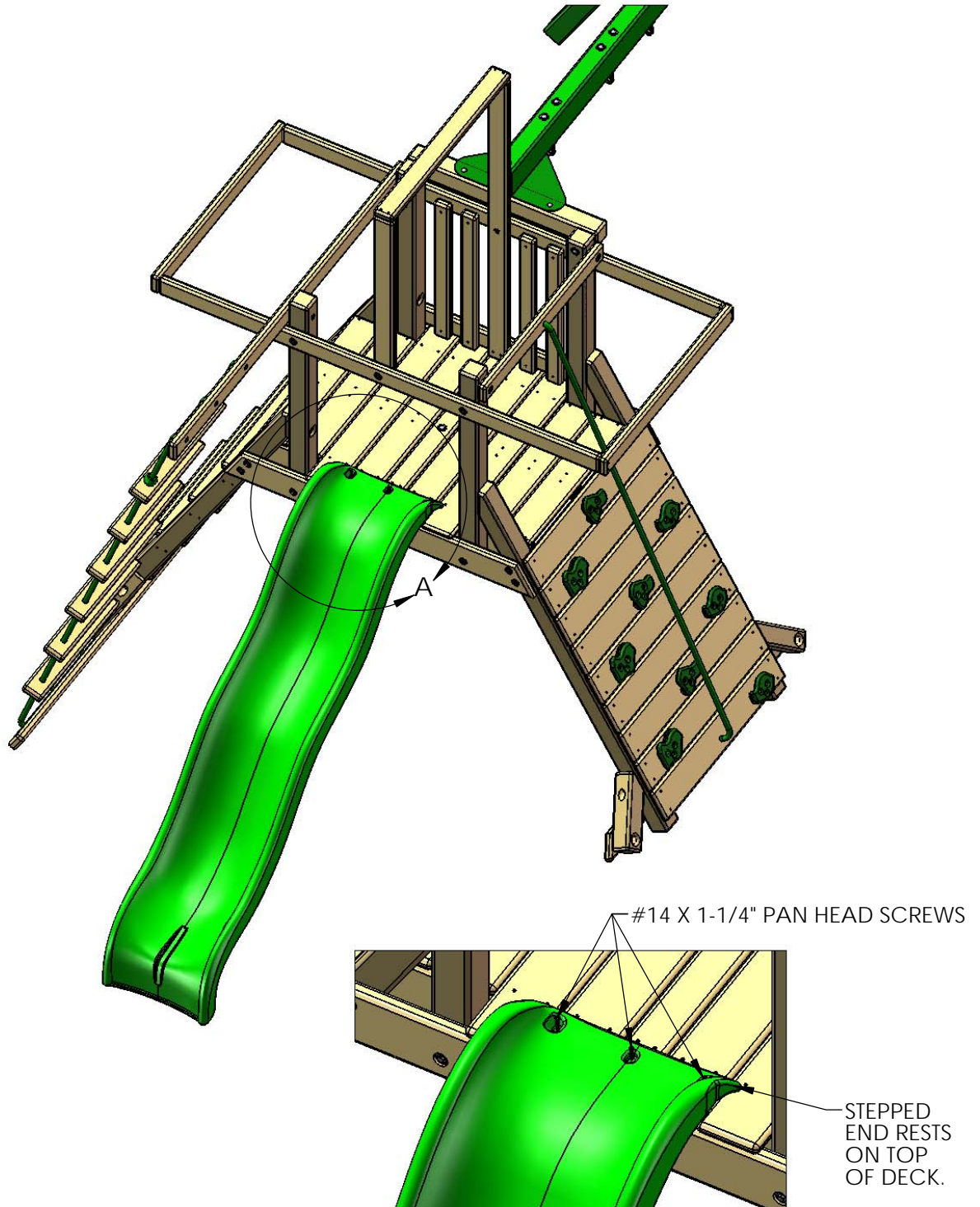
THIS VIEW IS AS IF YOU ARE STANDING IN FRONT OF THE LADDER STEPS.

STEP 36: INSTALLING THE SLIDE

1: PLACE THE SLIDE IN THE OPENING AT THE LEFT SIDE OF THE PLAY SET.

2: THE STEPPED END WILL REST ON TOP OF THE DECK BOARDS.

3: ATTACH THE SLIDE TO THE DECK BOARDS WITH THREE #14 X 1-1/4" PAN HEAD SCREWS. YOU MAY PREDRILL 1/8" HOLES THROUGH THE CENTER OF THE POCKETS IN THE SLIDE IF YOU WISH.



DETAIL A
SCALE 1 : 12

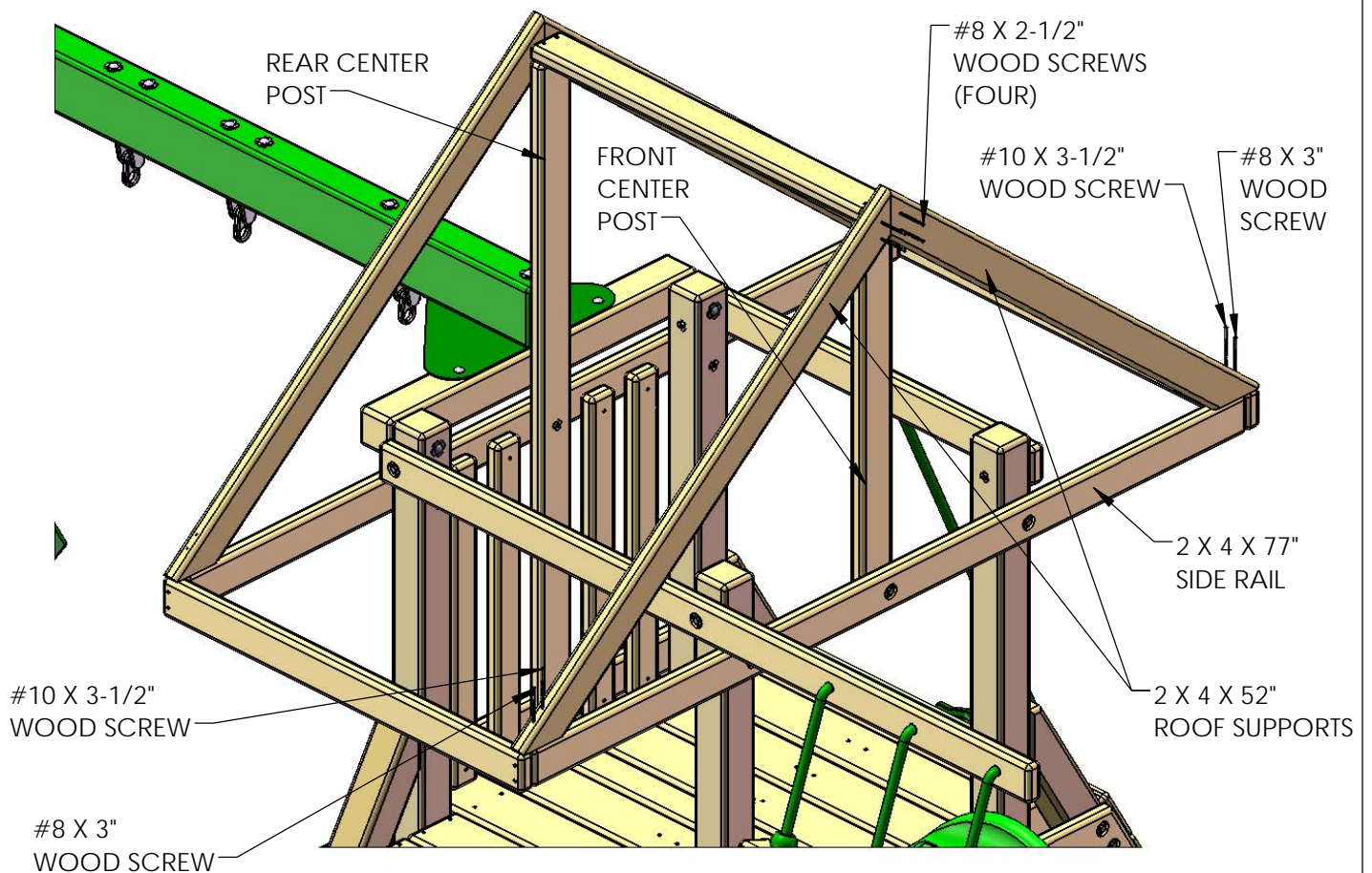
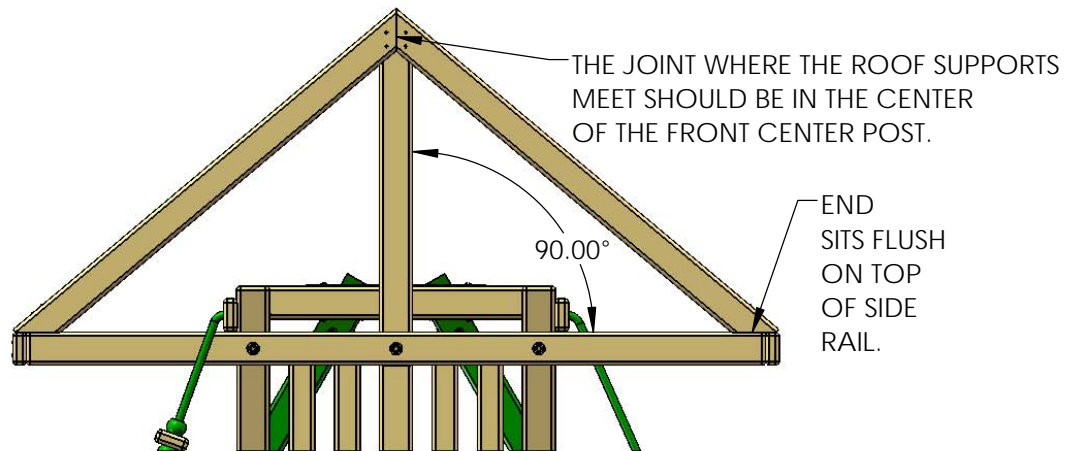
STEP 37: WOOD ROOF SUPPORTS

1: PLACE TWO 2 X 4 X 52" ROOF SUPPORTS ON TOP OF THE 2 X 4 X 77" SIDE RAIL. THE TOP END OF THE ROOF SUPPORT WILL REST AGAINST THE FRONT CENTER POST. MAKE SURE THE FRONT CENTER POST IS SQUARE TO THE SIDE RAIL.

2: SECURE THE TOP OF THE ROOF SUPPORTS TO THE FRONT CENTER POST WITH #8 X 2-1/2" WOOD SCREWS.

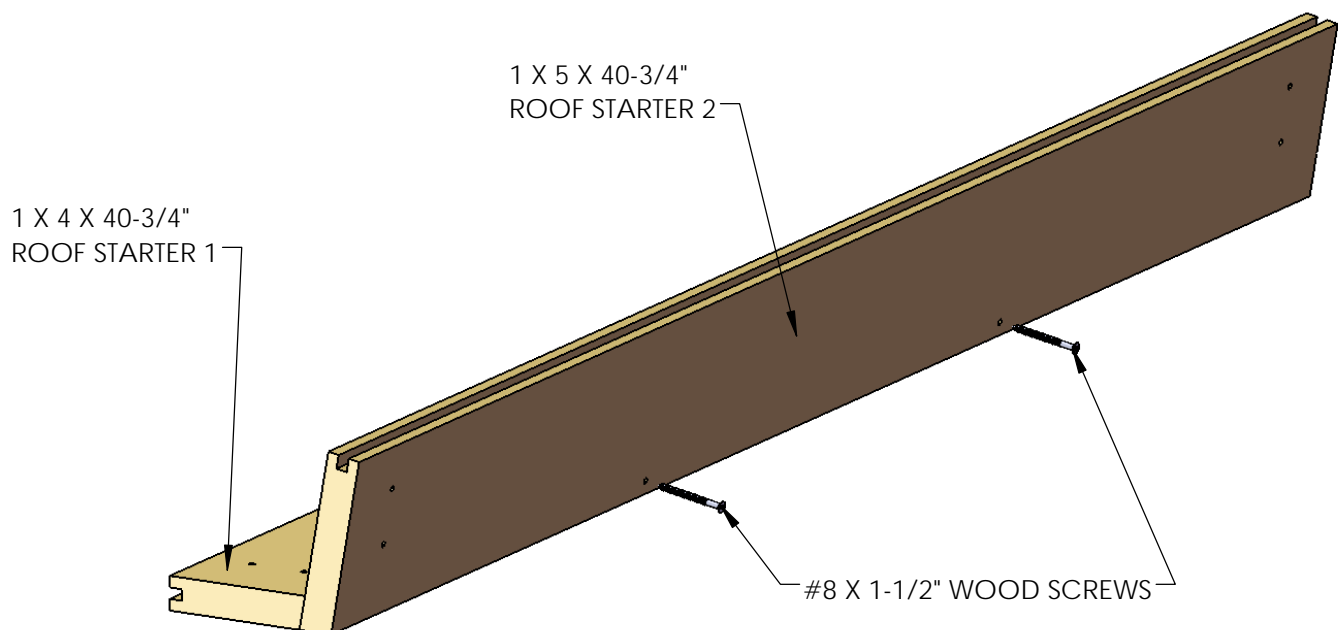
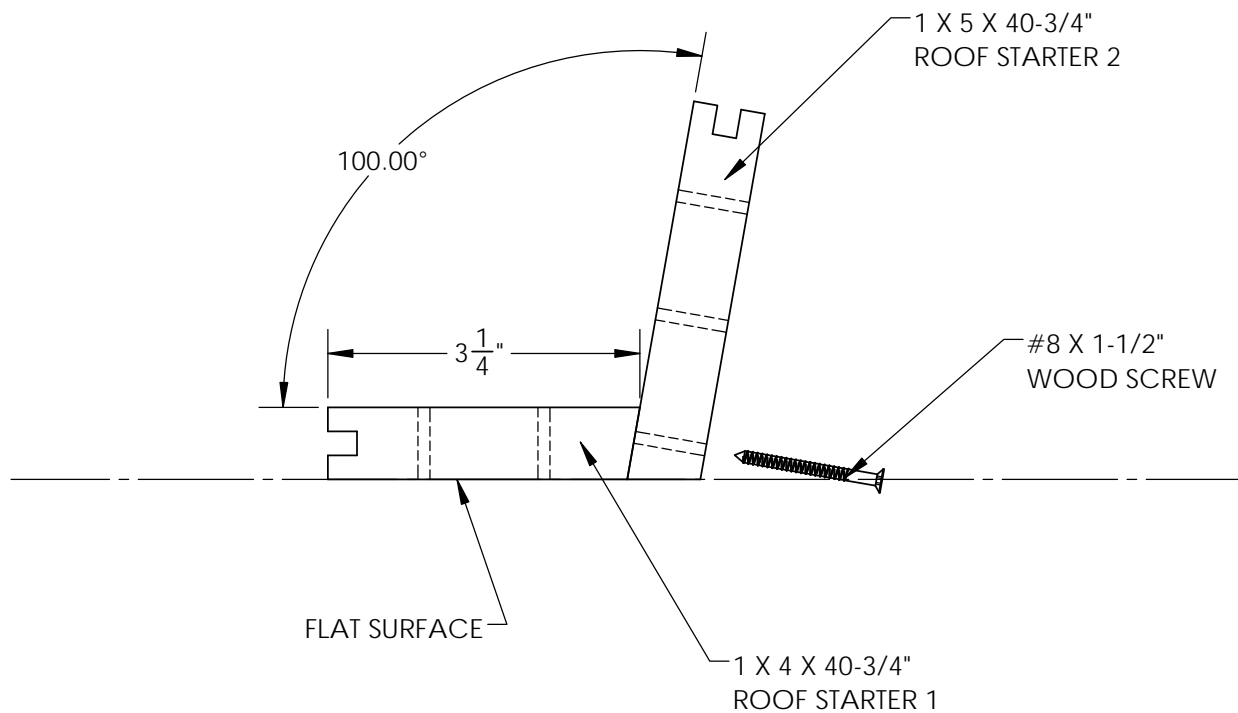
3: SECURE THE BOTTOM OF THE ROOF SUPPORT TO THE TOP OF THE SIDE RAIL WITH ONE #8 X 3" WOOD SCREW AND ONE #10 X 3-1/2" WOOD SCREW.

4: REPEAT SUBSTEPS 1 THROUGH 3 FOR THE OTHER SIDE OF THE UNIT WITH THE REAR CENTER POST.



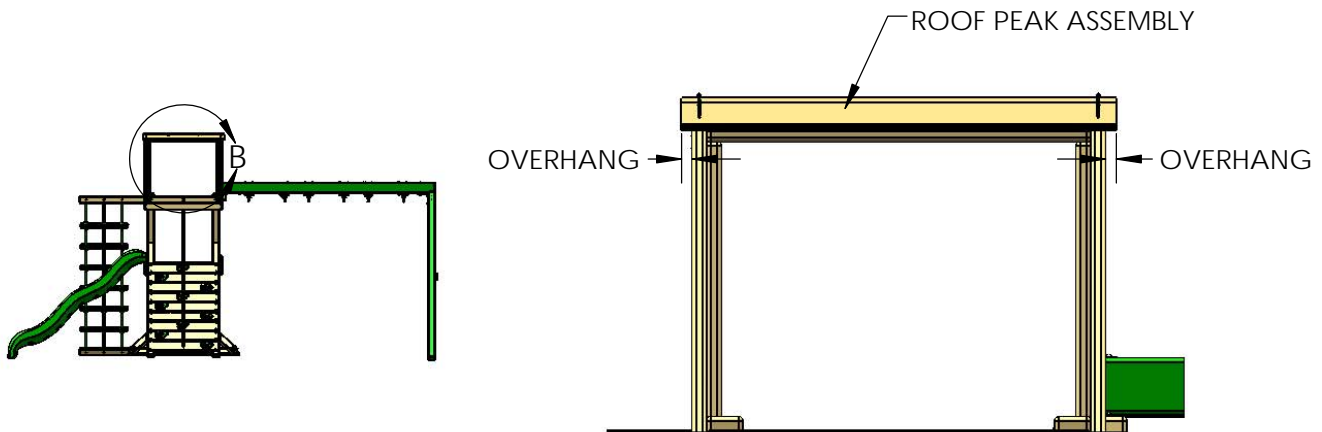
STEP 38: ROOF PEAK ASSEMBLY

- 1: PLACE THE 1 X 4 X 40-3/4" ROOF STARTER 1 DOWN ON A FLAT SURFACE.
- 2: SLIDE THE 1 X 5 X 40-3/4" ROOF STARTER 2 AGAINST ROOF STARTER 1.
- 3: INSTALL TWO #8 X 1-1/2" WOOD SCREWS IN THE MIDDLE HOLES OF ROOF STARTER 2.

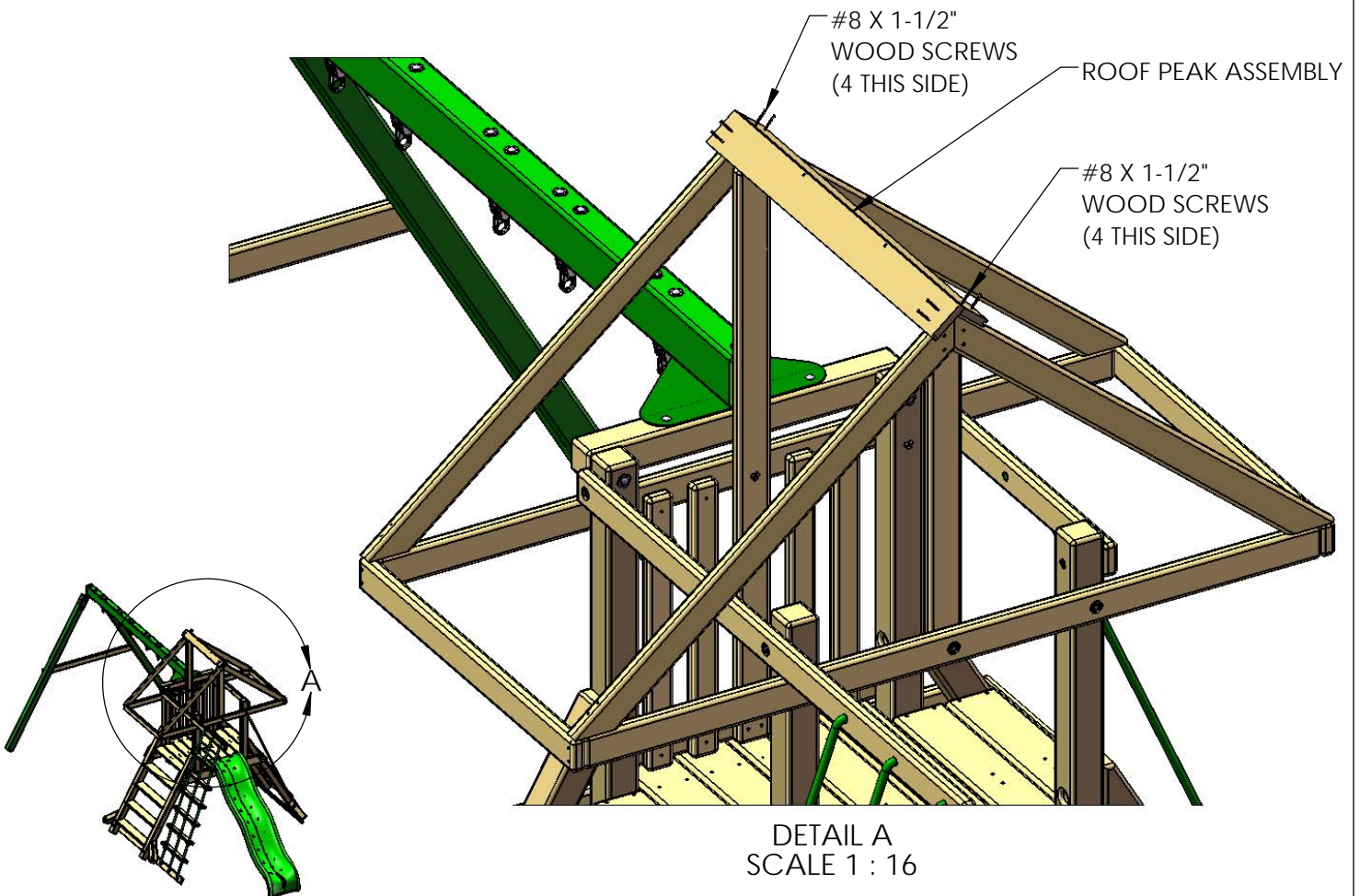


STEP 39: ROOF PEAK INSTALLATION

- 1: PLACE THE ROOF PEAK ASSEMBLY ON TOP OF THE ROOF SUPPORTS.
- 2: ALLOW THE ROOF PEAK ASSEMBLY TO OVERHANG THE SIDE OF THE ROOF SUPPORTS EVENLY ON EACH SIDE.
- 3: ATTACH THE ROOF PEAK ASSEMBLY TO THE ROOF SUPPORTS WITH EIGHT #8 X 1-1/2" WOOD SCREWS.



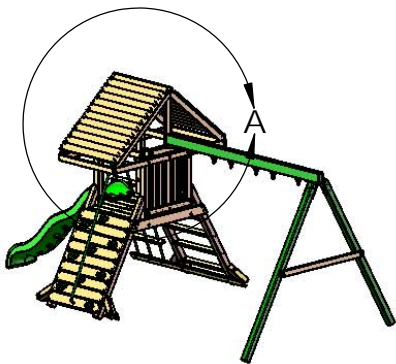
DETAIL B
SCALE 1 : 18



DETAIL A
SCALE 1 : 16

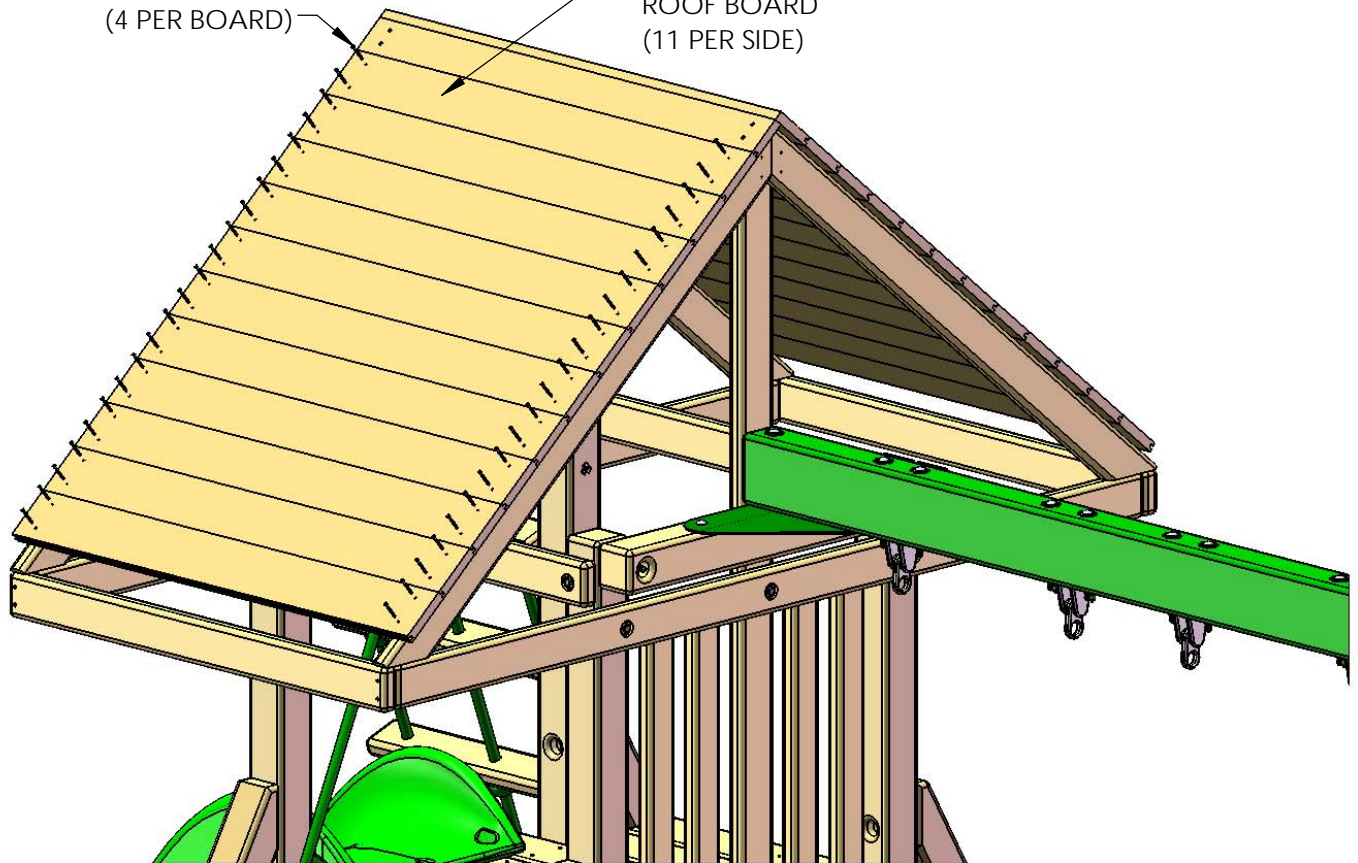
STEP 40: ROOF BOARDS

- 1: SLIDE THE TONGUE END OF THE 1 X 5 X 40-3/4" ROOF BOARD INTO THE GROOVE OF THE ROOF STARTER.
- 2: FASTEN THE ROOF BOARD TO THE ROOF SUPPORTS WITH FOUR #8 X 1-1/2" WOOD SCREWS.
- 3: SLIDE THE TONGUE OF THE NEXT ROOF BOARD INTO THE GROOVE OF THE PREVIOUS ROOF BOARD. FASTEN THE ROOF BOARD TO THE ROOF SUPPORTS WITH FOUR #8 X 1-1/2" WOOD SCREWS.
- 4: REPEAT SUBSTEP 3 FOR THE REMAINING ROOF BOARDS.
- 5: REPEAT SUBSTEPS 1 THROUGH 4 FOR THE OTHER SIDE OF THE ROOF.



#8 X 1-1/2"
WOOD SCREWS
(4 PER BOARD)

1 X 5 X 40-3/4"
ROOF BOARD
(11 PER SIDE)



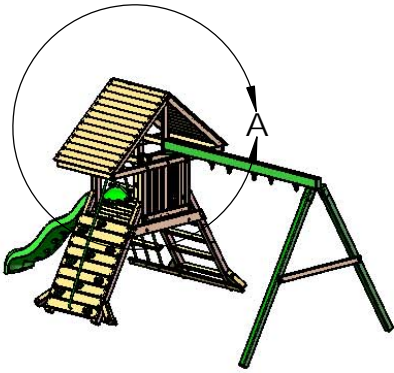
DETAIL A
SCALE 1 : 14

STEP 41: ROOF FINISHERS

1: PLACE THE TONGUE OF THE 1 X 5 X 40-3/4" ROOF FINISHER INTO THE GROOVE OF THE LAST ROOF BOARD.

2: FASTEN THE ROOF FINISHER TO THE ROOF SUPPORTS WITH FOUR #8 X 1-1/2" WOOD SCREWS.

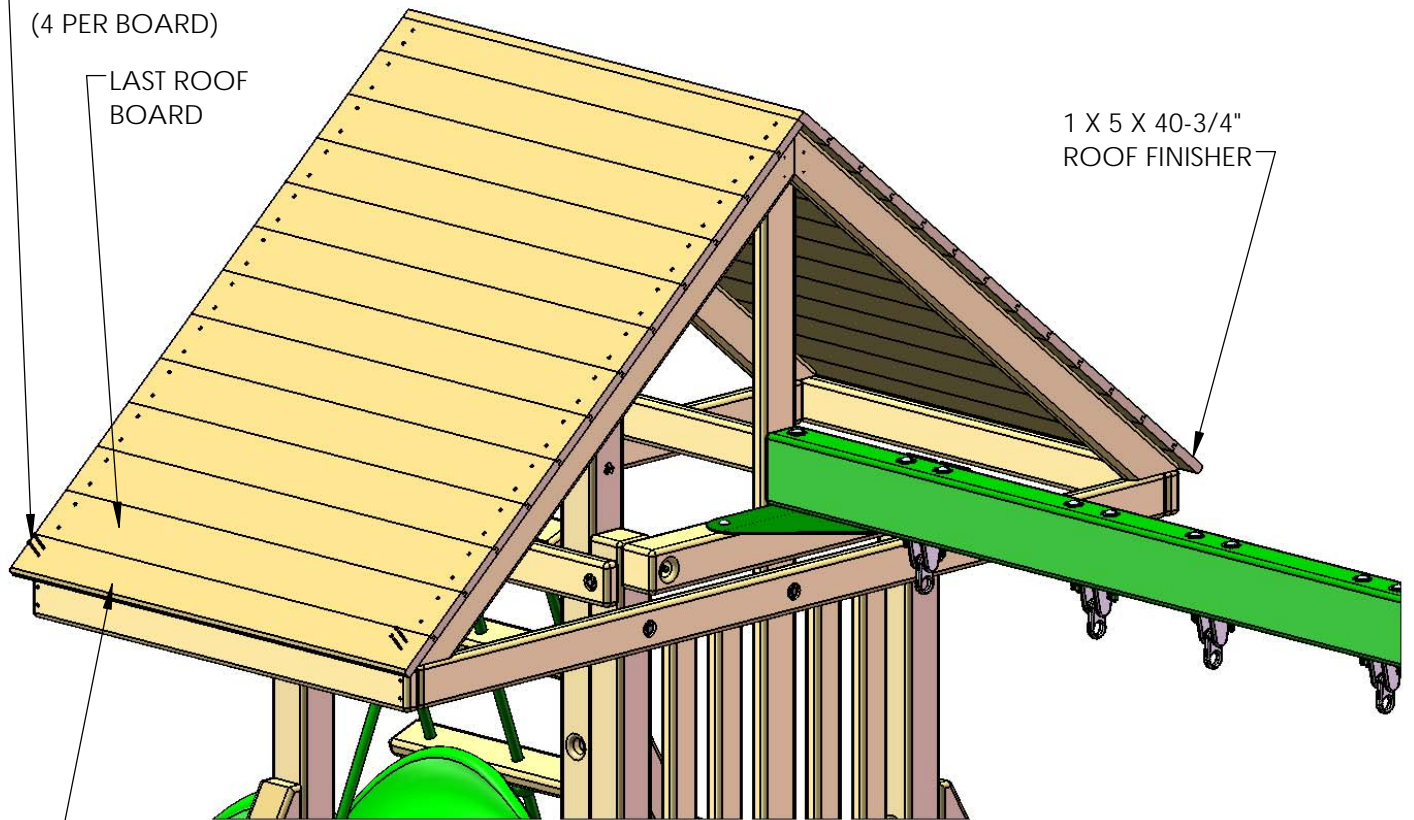
3: REPEAT SUBSTEPS 1 THROUGH 2 FOR THE ROOF FINISHER ON THE OTHER SIDE OF THE ROOF.



#8 X 1-1/2"
WOOD SCREWS
(4 PER BOARD)

LAST ROOF
BOARD

1 X 5 X 40-3/4"
ROOF FINISHER

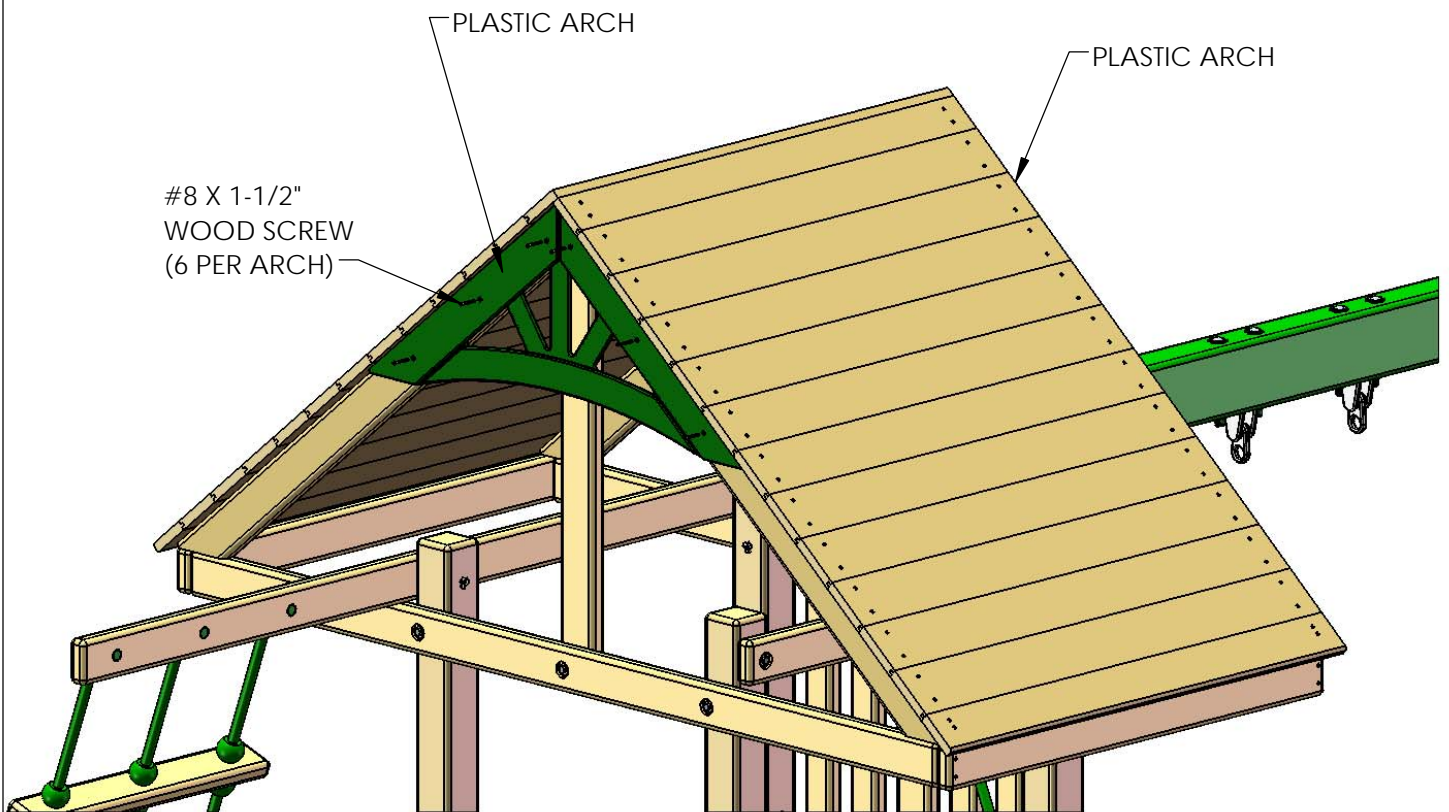
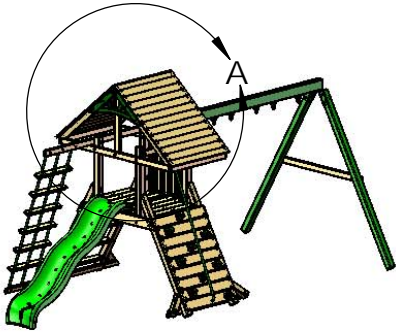


1 X 5 X 40-3/4"
ROOF FINISHER

DETAIL A
SCALE 1 : 14

STEP 42: INSTALLING PLASTIC ARCHES

- 1: PLACE THE PLASTIC ARCH AGAINST THE ROOF SUPPORTS UNDERNEATH THE ROOF BOARDS.
- 2: ATTACH THE PLASTIC ARCH TO THE ROOF SUPPORTS WITH SIX #8 X 1-1/2" WOOD SCREWS
- 3: REPEAT SUBSTEPS 1 THROUGH 2 FOR THE PLASTIC ARCH ON THE OTHER SIDE OF THE ROOF.



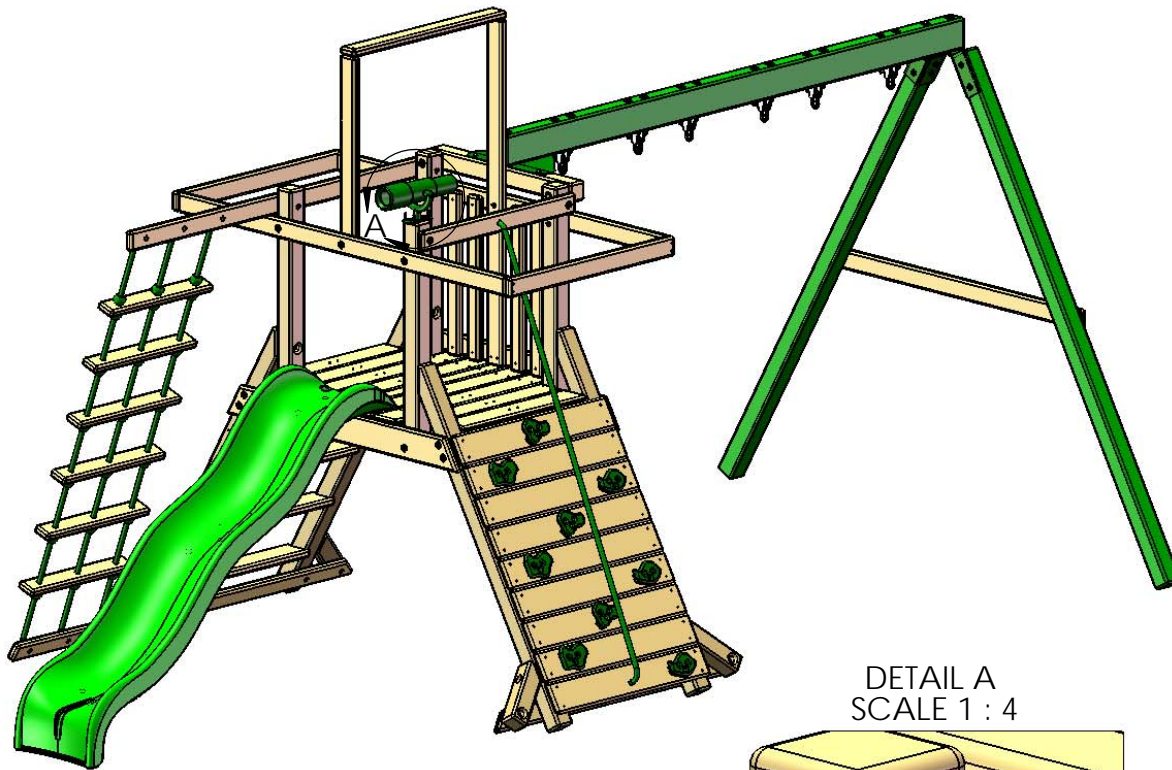
DETAIL A
SCALE 1 : 14

STEP 43: TELESCOPE

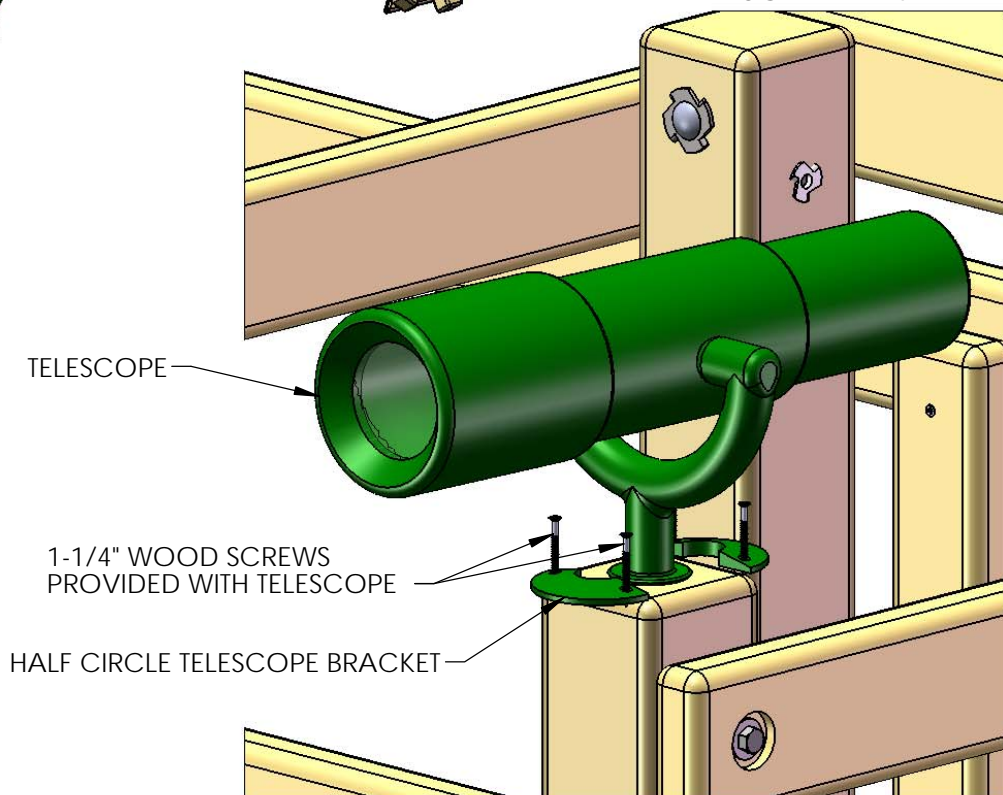
1: USE THE 1-1/4" WOOD SCREWS PROVIDED WITH THE TELESCOPE TO FASTEN ONE OF THE HALF-CIRCLE SHAPED TELESCOPE BRACKETS ON TOP OF THE CORNER POST ABOVE THE SLIDE.

2: PLACE THE TELESCOPE STAND AND TELESCOPE INTO THE SLOT OF THE TELESCOPE BRACKET.

3: FASTEN THE REMAINING HALF-CIRCLE SHAPED TELESCOPE BRACKET TO THE OPPOSITE SIDE THAT THE FIRST TELESCOPE BRACKET WAS INSTALLED. USE THE 1-1/4" WOOD SCREWS PROVIDED WITH THE TELESCOPE TO ATTACH THE TELESCOPE BRACKET.



DETAIL A
SCALE 1 : 4



TELESCOPE

1-1/4" WOOD SCREWS
PROVIDED WITH TELESCOPE

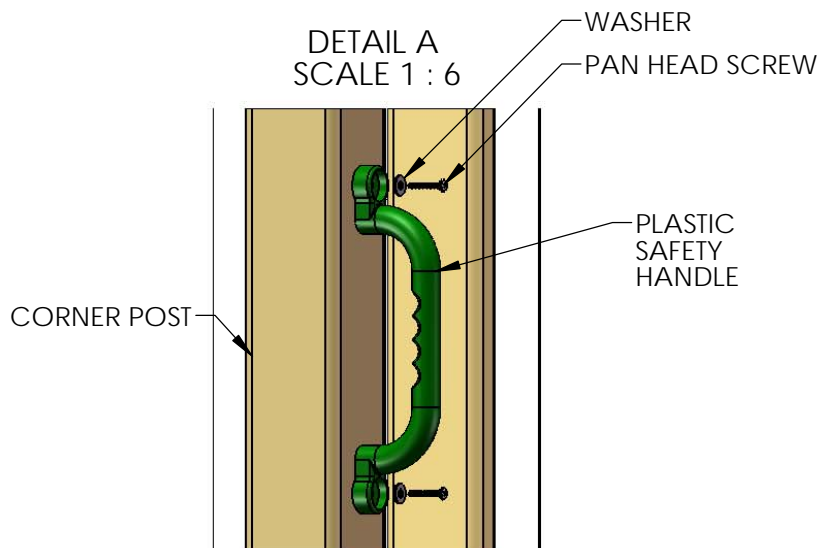
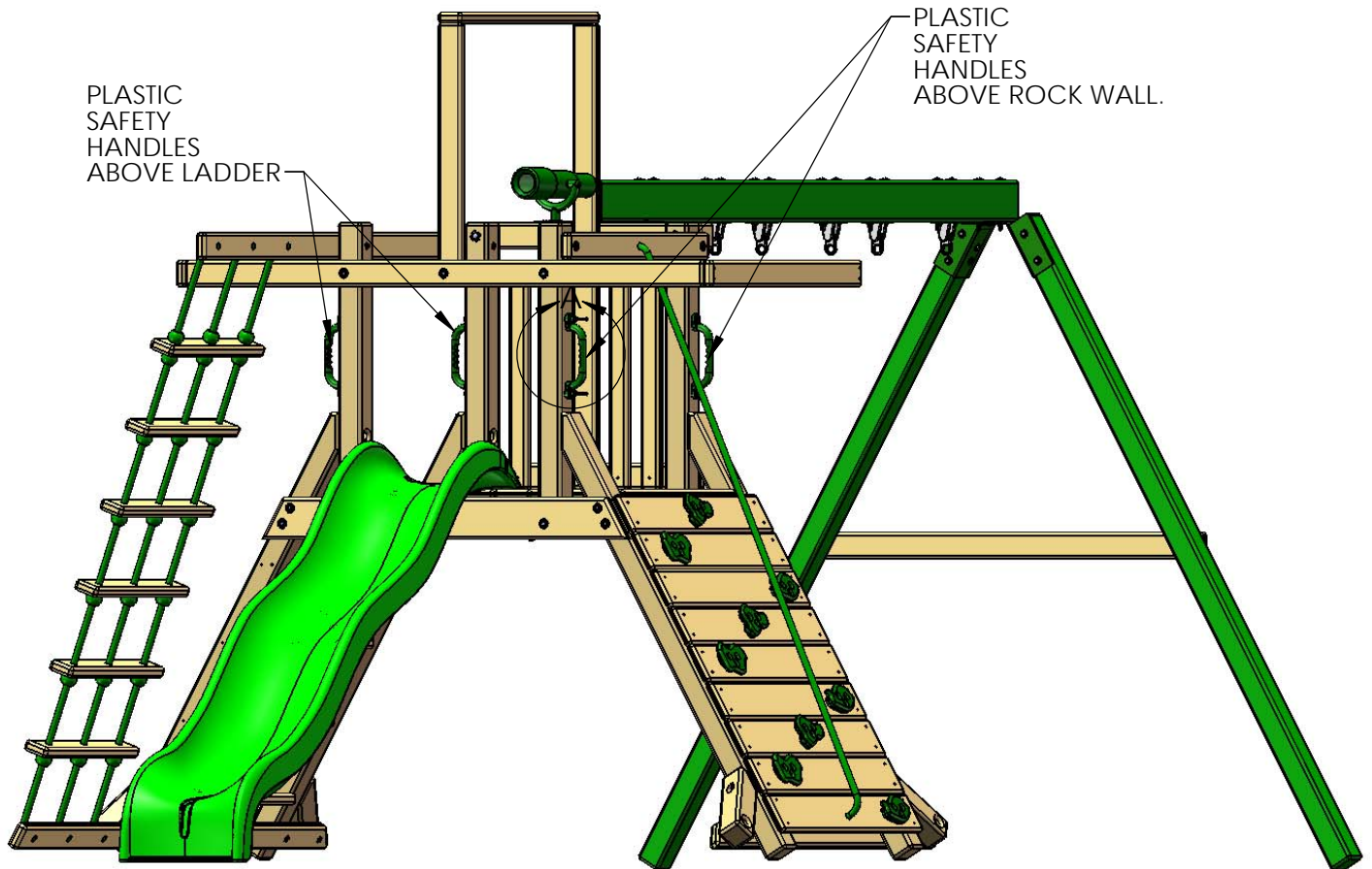
HALF CIRCLE TELESCOPE BRACKET

STEP 44: SAFETY HANDLES

1: LOCATE THE PLASTIC SAFETY HANDLES (2 BAGS). EACH BAG SHOULD CONTAIN TWO SAFETY HANDLES WITH HARDWARE TO ATTACH THEM.

2: PLACE THE SAFETY HANDLES ON THE OUTSIDE OF THE CORNER POSTS ABOVE THE ROCK WALL AND LADDER. ADJUST THE HANDLES UP OR DOWN TO SUIT THE NEEDS OF YOUR CHILD. CENTER THE HOLES IN THE HANDLE IN THE MIDDLE OF EACH CORNER POST.

3: ATTACH EACH SAFETY HANDLE TO A CORNER POST WITH THE PAN HEAD SCREWS AND WASHERS PROVIDED.



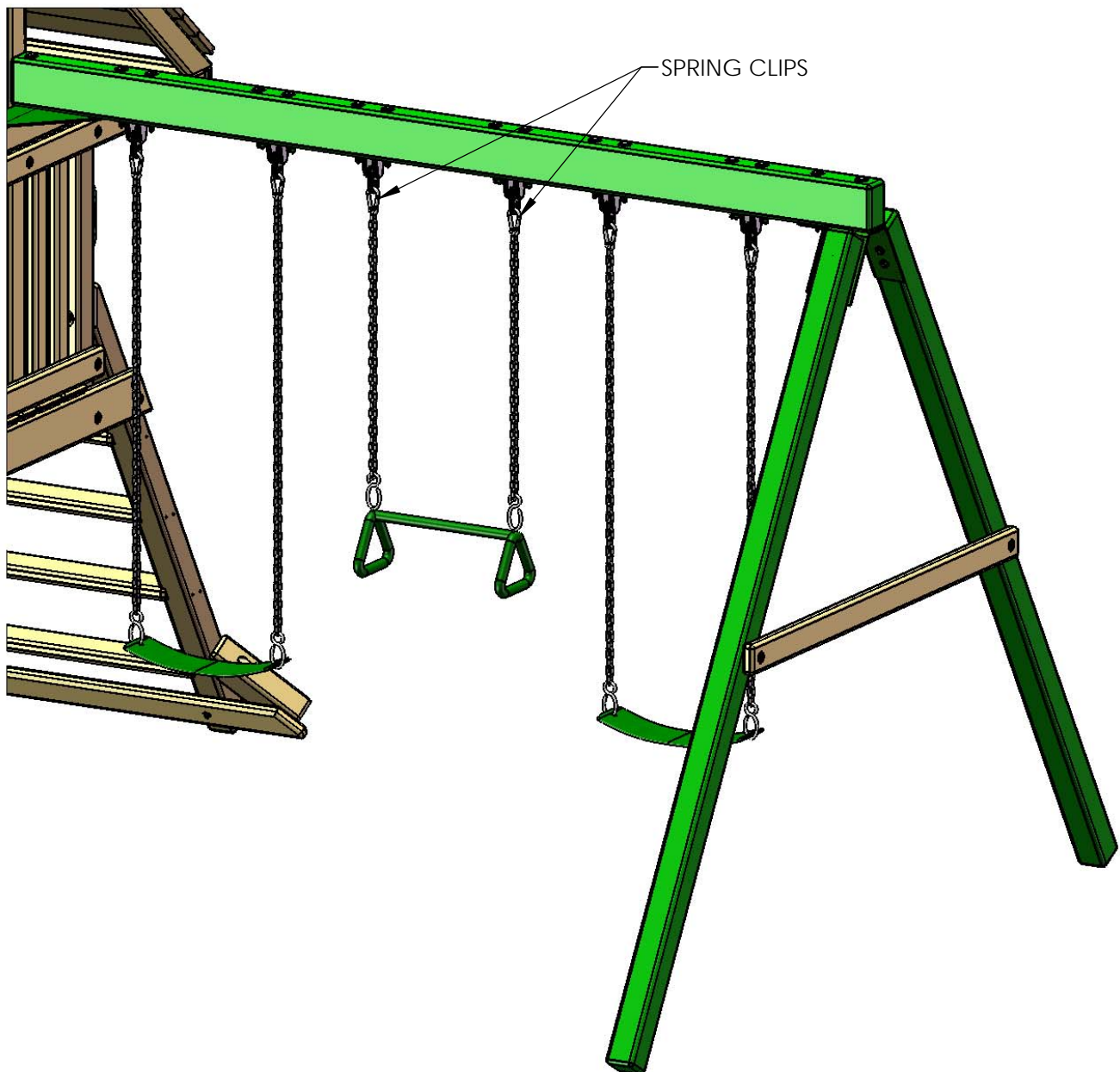
STEP 45: HANGING SWINGS

1: CLIP EACH OF THE SPRING CLIPS ONTO THE IRON DUCTILE SWING HANGERS, THEN CLIP ONTO THE SWING CHAINS.

2: USE THE CLIPS TO ADJUST THE HEIGHT OF THE SWING BY CLIPPING ON HIGHER OR LOWER LINKS.

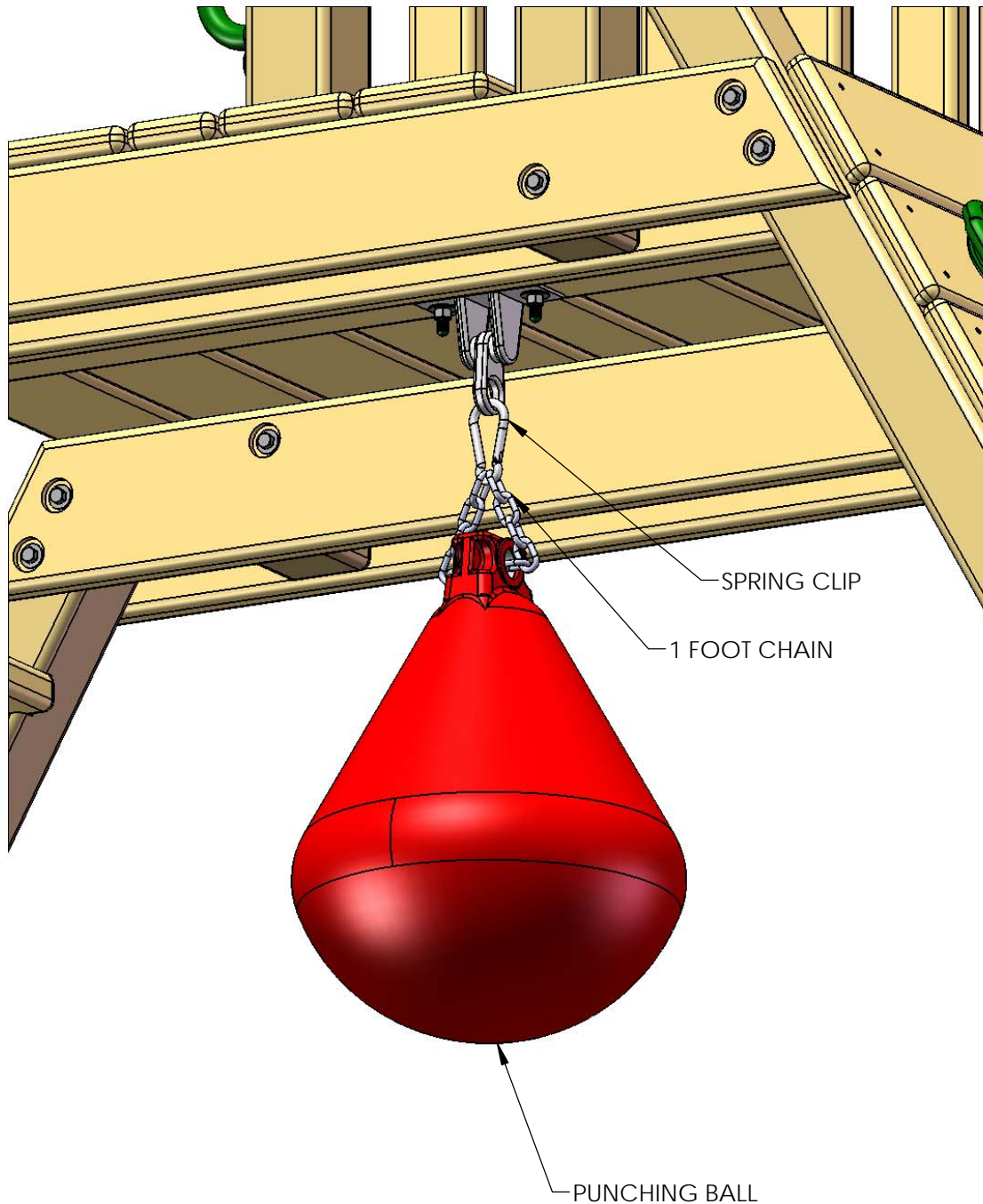
3: COUNT BACK THE SAME NUMBER OF LINKS ON THE OPPOSITE SIDE TO ENSURE THE SWING IS LEVEL, AND ADJUST TO FIT YOUR NEEDS.

4: ANY EXCESS CHAIN MAY BE LOOPED AND CLIPPED INTO THE SPRING CLIPS.



STEP 46: PUNCHING BALL

- 1: PLACE THE 1 FOOT SECTION OF CHAIN THROUGH THE HOLE IN THE PUNCHING BALL.
- 2: SNAP THE SPRING CLIP ONTO THE IRON DUCTILE SWING HANGER UNDER THE PLAY SET DECK.
- 3: SNAP THE ENDS OF THE CHAIN ONTO THE SPRING CLIP.



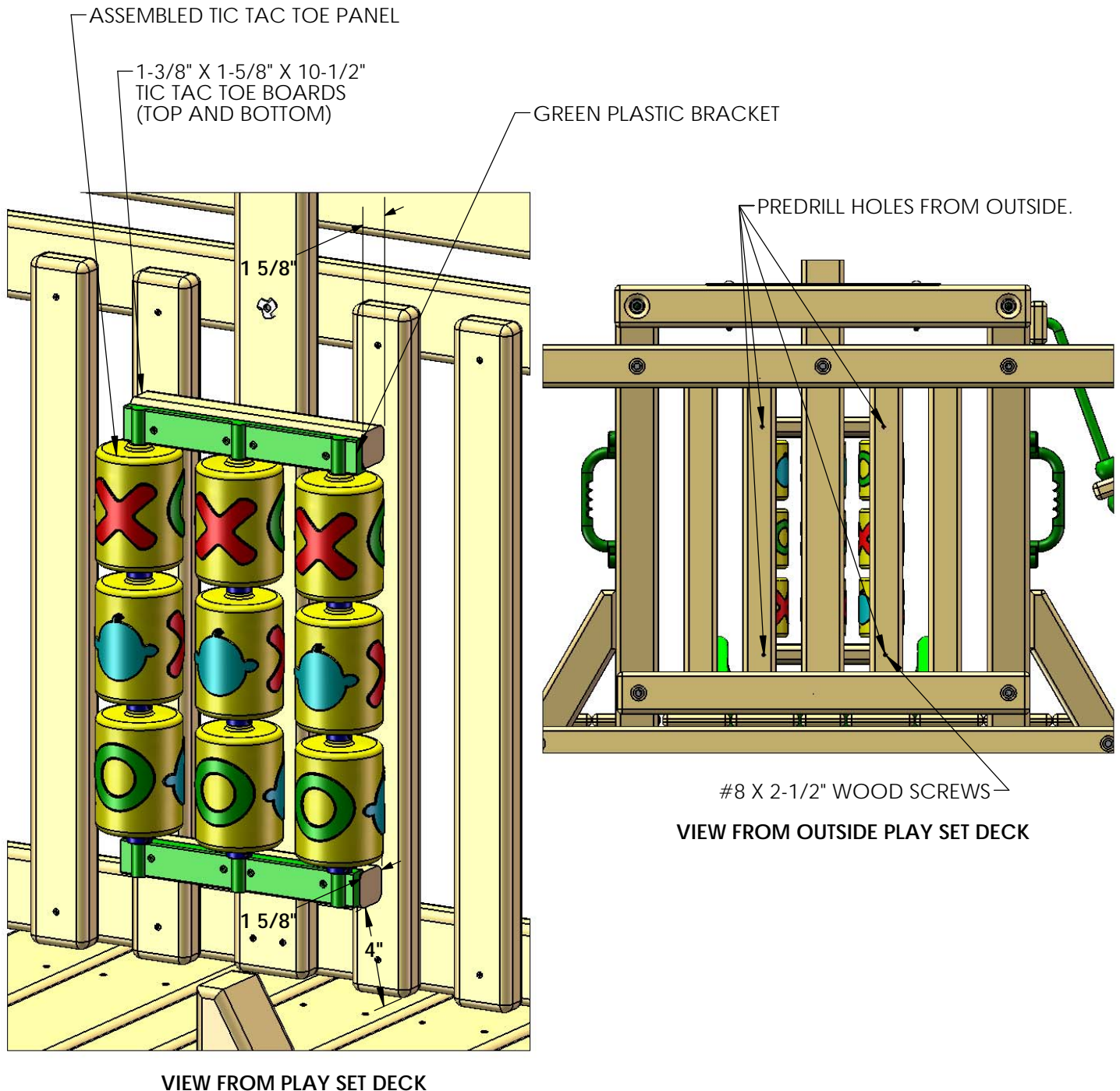
STEP 47: TIC TAC TOE PANEL

1: ASSEMBLE THE TIC TAC TOE PANEL ACCORDING TO THE INSTRUCTIONS IN THE BOX. IGNORE STEPS 6 AND 7 IN THE INSTRUCTIONS.

2: ATTACH THE TWO 1-3/8" X 1-5/8" X 10-1/2" L TIC TAC TOE BOARDS TO THE GREEN PLASTIC BRACKET WITH THE 1" LONG PHILLIPS HEAD SCREWS PROVIDED WITH IN THE TIC TAC TOE BOX. **IMPORTANT:** MAKE SURE THE TIC TAC TOE BOARD IS MOUNTED TO THE GREEN BRACKET OBSERVING THE 1-5/8" DIMENSIONS SHOWN BELOW.

3: CENTER THE UNIT ON THE PANEL SLATS AS SHOWN.

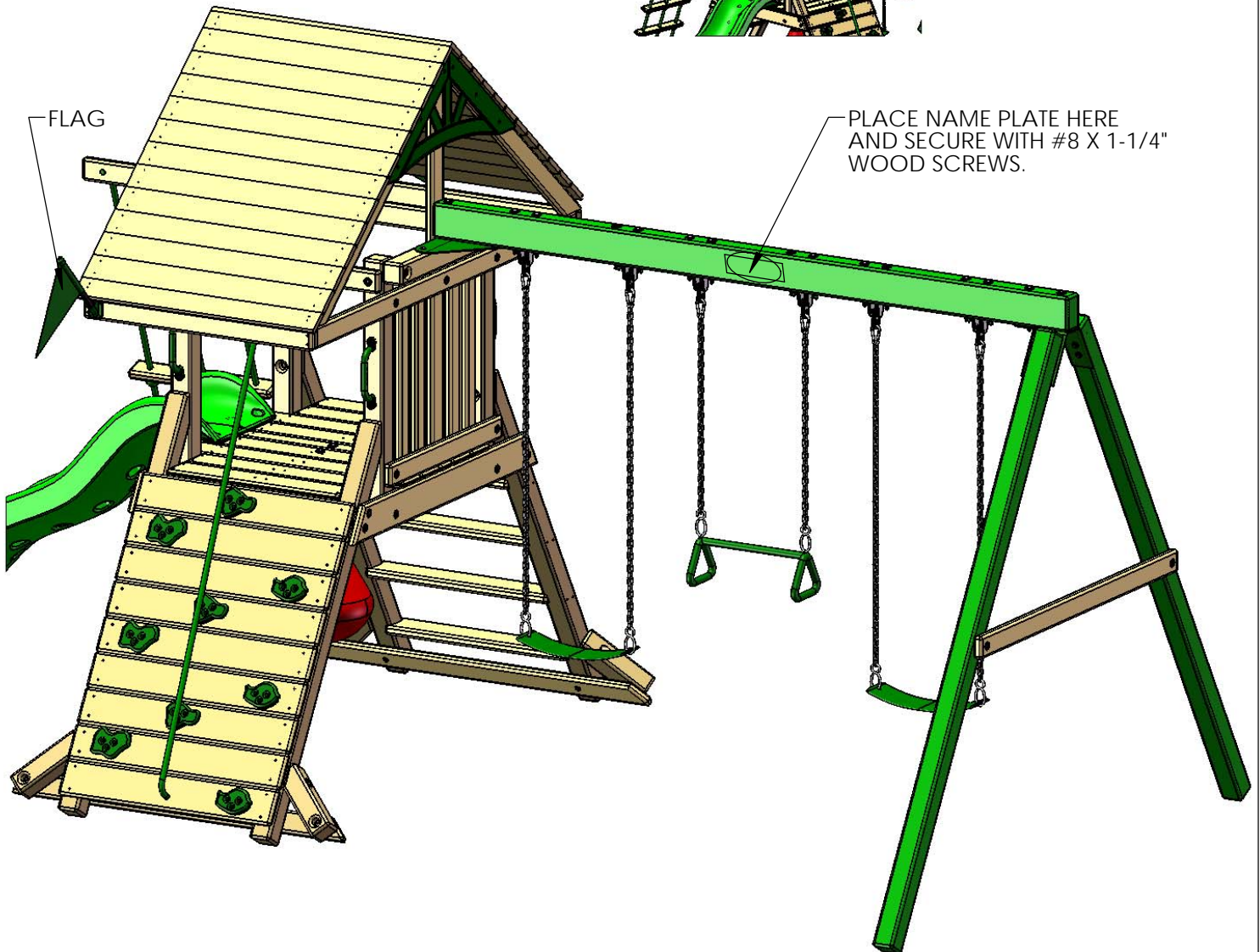
4: MOUNT THE LOWER TIC TAC TOE BOARD 4" ABOVE THE DECK. ATTACH TIC TAC TOE BOARD TO THE PANEL SLATS FROM THE OUTSIDE WITH #8 X 2-1/2" WOOD SCREWS. IT WILL BE HELPFUL TO HAVE AN ASSISTANT HOLD THE TIC TAC TOE PANEL AGAINST THE PANEL SLATS WHILE YOU GO ON THE OUTSIDE AND PREDRILL 1/16" HOLES THROUGH THE PANEL SLATS AND PARTIALLY INTO THE TIC TAC TOE BOARDS. THESE HOLES WILL MAKE IT EASIER TO ATTACH THE TIC TAC TOE TO THE PANEL SLATS AND WILL LESSEN THE POSSIBILITY OF SPLITTING A BOARD.



STEP 48: FLAG KIT AND NAME PLATE

1: ATTACH THE PLASTIC FLAG BASE ONTO THE OUTSIDE OF THE END TARP BOARD WITH THE SCREWS PROVIDED IN THE FLAG KIT BAG. ATTACH ANOTHER FLAG ON THE OPPOSITE SIDE OF THE ROOF.

2: ATTACH THE ALUMINUM NAME PLATE CENTERED ON THE FRONT OF THE SWING BEAM WITH #8 X 1-1/4" WOOD SCREWS.



STEP 49: GROUND STAKES

1: HAMMER A GROUND STAKE INTO THE EARTH NEXT TO EACH SWING LEG AT AN ANGLE. DO NOT HOLD THE UPPER PORTION OF THE STAKE AFTER THE FIRST COUPLE OF HITS OR IT MAY VIBRATE HARSHLY AGAINST YOUR HAND. IF THE TOP PART OF THE STAKE TWISTS WHEN IT ENCOUNTERS A ROCK OR ROOT YOU MAY HAVE TO BEND THE TOP PORTION OF THE STAKE AGAINST THE SWING LEG. FINALLY INSTALL THE SCREW AND WASHER.

2: ATTACH EACH GROUND STAKE TO THE SWING LEG WITH A #14 X 2" PAN HEAD SCREW AND A 1/4" FENDER WASHER PROVIDED WITH THE GROUND STAKE.

