

# gorilla<sup>®</sup>

playsets



## Excursion 2010

ASSEMBLY MANUAL  
Copyright © 2010 Gorilla Playsets  
All Rights Reserved

Gorilla Playsets • 190 Etowah Industrial Court Canton, GA 30114  
(800) 882-0272 • [www.gorillaplaysets.com](http://www.gorillaplaysets.com)  
Latest Revision: June 18, 2010

# TABLE OF CONTENTS

Warranty and Safety Guidelines.....	Pages 4-11
Kit Contents and Tool List.....	Page 15
Hardware and Lumber Checklist.....	Pages 16-27
Adding T-Nuts to Corner Posts.....	Steps 1-2
Framing Fort.....	Steps 3-7
Mounting Deck Supports.....	Step 8
Attaching Fort Side Supports.....	Step 9
Attaching Deck Spacers and Ladder Assembly.....	Steps 10-12
Building and Mounting Rockwall.....	Steps 13-15
Adding Deck Boards and Wall Slats.....	Steps 16-18
Swing Beam Assembly.....	Steps 19-27
Center Posts, Framing Tarp.....	Steps 28-29
Mounting Slide.....	Step 30
Glider Swing Assembly.....	Step 31
Hanging Swings.....	Step 32
Securing Tarp.....	Step 33
Attaching Safety Board, Center Stringers, and Climbing Rope.....	Steps 34-36
Flag Kits.....	Step 37
Attaching Accessories and Ground Stakes.....	Steps 38-44
Customer Registration Card.....	Page 72

**PLEASE READ OWNER'S MANUAL CAREFULLY  
BEFORE STARTING ASSEMBLY!**

# IMPORTANT – PLEASE READ

As fresh lumber acclimates to its new environment, the natural tendencies of the tree can show itself in the form of checks, or “cracks” in the lumber. In almost all cases this is normal and it will not affect the structural integrity of your play set.

Cosmetic defects that do not affect the structural integrity of the product, or natural defects of wood such as warping, checking or any other physical properties of wood that do not present a safety hazard, are not covered by this warranty. Defects that develop because the product is exposed to extreme climate conditions are not covered by this warranty. Defects that develop as a result of faulty or improper installation of the product are also not covered by this warranty.

**Most cracks are not warrantable**, however if you believe that the integrity of your play set is compromised by this natural occurrence, please follow the warranty claim procedure found at [www.gorillaplaysets.com](http://www.gorillaplaysets.com). Click on the “Customer Care” tab on the left hand side of the page, then click on “Warranty Claim” and follow the instructions.

We appreciate your purchase and know that you will enjoy your play system for many years to come.

IF YOU HAVE MISSING OR DAMAGED PARTS OR NEED ASSISTANCE ASSEMBLING, PLEASE CALL Gorilla Playsets™ MANUFACTURING DIRECT. (800) 882-0272 FACTORY HOURS – MON.–FRI., 8AM-5PM EST DO NOT RETURN THIS PRODUCT TO THE RETAILER OR CONTACT THE RETAILER DIRECT. THE RETAILER DOES NOT STOCK COMPONENTS. PLEASE RETAIN THESE INSTRUCTIONS FOR FUTURE REFERENCE. KEEP THEM IN A SAFE PLACE WHERE YOU CAN REFER TO THEM AS NEEDED.

## **CONTACT INFO:**

Gorilla Playsets  
190 Etowah Industrial Court  
Canton, GA 30114  
Tel. (800) 882-0272  
Fax. (678) 880-3329  
[custsrv@gorillaplaysets.com](mailto:custsrv@gorillaplaysets.com)

Check for revised instructions at [www.gorillaplaysets.com/category-s/92.htm](http://www.gorillaplaysets.com/category-s/92.htm)

# Thank you for choosing Gorilla Playsets®

We've included everything you need, except tools, to build your very own professional looking play set. When complete, your new play set should far exceed the quality of play set kits from other build-your-own companies. Our engineers and design team have over 30 years of playground experience. What we've developed is a play set that doesn't compromise quality for simplicity. Yet you'll appreciate how quick and easy construction really is! Our play set kits are designed for children ages 3 to 11. Gorilla Playsets® believes every child should have a play set and with our kits they can! You can rest assured your new play set is safe, durable and designed to hold up to the elements. As parents ourselves, we know how important the security and well-being of our children is, and this shows in all of our products.

Each play set features our step-by-step 3D illustrated manual, patented powder coated swing beam bracket, heavy-duty swing belts with chains, slide(s), accessories, plus all the required hardware and pre-milled lumber.

# Limited Manufacturers Warranty

Gorilla Playsets® (“Gorilla”) warrants its play sets to be free from defects in workmanship and materials, under normal use and conditions at its original installation, for 10 years for structural wood components and for one year for all other components (e.g., hardware, plastics, tarps, rope ladder, etc.)

Cosmetic defects or natural defects of wood (e.g., warping, seasonal checking or cracking, knots, or knot holes, etc.) that do not affect the structural integrity of the product are not covered by this warranty. Defects that develop because the product is exposed to extreme climate conditions, or that develop as a result of faulty or improper installation of the product, are not covered by this warranty. Fading or discoloration of any part or accessory, cracks in plastic components, surface rust on hardware, and chips on powder coated materials are not considered defects in material as long as they do not affect the functionality or structural integrity of the part or component.

It is the owner’s responsibility to properly maintain the play set. Instructions for proper maintenance can be found on Gorilla’s website. Imperfections or defects that develop because of a failure to properly maintain the play set are not covered by this warranty.

Gorilla will repair or, at its discretion, replace any part within the stated warranty period that is defective in workmanship or materials. This decision is subject to verification of the defect, which, at Gorilla’s discretion, may be accomplished by submitting photographs or by delivery of the defective part to Gorilla. Any warranty claim must include proof of purchase, including the date of purchase.

This warranty is valid only if the product is used for the purpose for which it was designed and installed at a residential, single-family dwelling. This warranty is void if the product is used for commercial, institutional or multi-family dwelling use. This warranty does not cover (a) products that have been damaged by acts of God, negligence, misuse, or accident, or that have been modified or repaired by unauthorized persons; (b) the cost of labor; or (c) the cost of shipping the product, any part, or any replacement product or part.

GORILLA DISCLAIMS ALL OTHER REPRESENTATIONS AND WARRANTIES OF ANY KIND, EXPRESS, IMPLIED, STATUTORY, OR OTHERWISE, INCLUDING THE IMPLIED WARRANTIES OF MERCHANTABILITY AND FITNESS FOR A PARTICULAR PURPOSE. GORILLA WILL NOT BE LIABLE FOR ANY INCIDENTAL OR CONSEQUENTIAL DAMAGES. This warranty is valid only in the United States of America, is nontransferable and does not extend to the owners of the product subsequent to the original purchaser, and only applies to the product as originally installed (in other words, installing the product and then later disassembling and reinstalling the product at the same or another location voids the warranty). Some states do not allow limitations on implied warranties or exclusion of incidental or consequential damages, so these restrictions may not be applicable to you. This warranty gives you specific legal rights. You may also have other rights which vary from state to state.

# Important Safety Guidelines

This product is intended for residential use only and not intended for use in any public setting. A safety surface such as mulch or recycled tire should be used under the play set to prevent injury from falls. Also a 6 foot safety zone should be used around the entire play set.

As with any home project, good judgment and respect for power tools will greatly reduce the risk of injury. Gorilla recommends you follow all tool manufacturers' safety guidelines. Always wear eye protection and safety gloves to prevent injury. In several phases of construction two people may be required for lifting and securing of lumber. While play set is being constructed, please keep children off the equipment until the project is complete. Bolts and screw heads should be checked regularly for tightness. The ground ladder, rope ladder, slide, swings and other areas where children spend a majority of their playtime should be checked more frequently.

Gorilla shall not be liable for incidental, indirect or consequential damages or injuries that result from the building and/or playing on our play sets. Adult supervision is recommended anytime a play set is being used.

## **WEIGHT LIMITS FOR GORILLA PLAYSETS**

- FORT PLATFORMS: 800 LBS. TOTAL WEIGHT
- SWING BELTS: 175 LBS.
- GLIDER SWINGS: 70 LBS. PER CHILD
- TRAPEZE: 125 LBS.
- FULL BUCKET SWING: 50 LBS.
- TODDLER BUCKET SWING: 50 LBS.
- INFANT SWING: 35 LBS.
- TIRE SWING: 125 LBS. TOTAL WEIGHT
- ROPE LADDER: 75 LBS.
- ROCK WALL: 150 LBS.
- ALL SLIDES: 125 LBS.

Gorilla recommends that the weight limits for all components must not be exceeded. Failure to adhere to these and other safety guidelines could result in damage to the play set and injury to the users.

# Safety and Maintenance Tips for Your New Play Set:

**NOTE: Your children's safety is our #1 concern. Observing the following statements and warnings reduces the likelihood of serious or fatal injury. Please review these safety rules regularly with your children.**

- This play set is designed for the use of 4 occupants who have a combined weight not exceeding 800 pounds on the elevated floor, 3 occupants who have a combined weight of 525 pounds on the swing area, for a total unit capacity of 7 occupants who have a combined weight of 1325. (this weight is not including the picnic table area)
- On-site adult supervision is required.
- Teach children not to walk close to, in front of, behind, or between moving swings or other moving playground equipment.
- Teach children to sit in and never stand on swings.
- Teach children not to twist the chains and ropes and not to loop them over the swing beam, since this may reduce the strength of the chain or rope.
- Teach children not to jump from swings or other playground equipment in motion.
- Teach children not to push empty seats. The seat may hit them and cause serious injury.
- Teach children to sit in the center of the swings with their full weight on the seats.
- Teach children not to use the equipment in a manner other than intended.
- Teach children to always go down slides feet first. Never slide headfirst.
- Teach children to look before they slide to make sure no one is at the bottom.
- Teach children to never run up a slide, as this increases their chances of falling.
- The parents should have the children dress appropriately with well-fitting shoes. Loose clothing such as scarves and ponchos should not be worn. Always take off, tie up or tuck in cords and drawstrings on children's clothing. These things can get caught on playground equipment and strangle a child.
- Teach children not to climb when the equipment is wet.
- Teach children to never jump from a fort deck. They should always use the ladder, ramp or slide.
- Teach children to never crawl or walk across the top of monkey bars.
- Teach children to never crawl on top of a fort roof.
- Verify that any suspended climbing ropes, chains, or cables are secured at both ends.
- Verify climbing ropes are tight enough that they cannot be wrapped around an adult hand.
- Teach children not to attach items to the playground equipment that are not specifically designed for use with the equipment, such as, but not limited to, jump ropes, clothesline, pet leashes, cables and chain as they may cause a strangulation hazard.
- Teach children to never wrap their legs around swing chain.
- Teach children to never slide down the swing chain.

**WARNING: Children must NOT use this play set until unit has been completely assembled and inspected by an adult to insure set has been properly installed.**

## **Safety and Maintenance Tips for Your New Play Set: (continued)**

Playgrounds should be inspected on a regular basis. If any of the following conditions are noted, they should be removed, corrected, or repaired immediately to prevent injuries.

- Hardware that is loose, worn or that has protrusions or projections.
- Exposed equipment footings.
- Scattered debris, litter, rocks, or tree roots.
- Splinters, large cracks, and decayed wood components.
- Deterioration and corrosion on structural components, which connect to the ground.
- Missing or damaged equipment components, such as handholds, guardrails, swing seats.
- Check all nuts and bolts frequently during the usage season and tighten as required. (But not so tight that you crack the wood) We recommend you check the swing beam and hardware often due to wood expansion and contraction. It is particularly important that this procedure be followed at the beginning of each season.
- Remove plastic swing seats and take indoors or do not use when the temperature drops below 32°F.
- Oil all metallic moving parts monthly during the usage period.
- Check all coverings for bolts and sharp edges twice monthly during usage season to be certain they are in place. Replace when necessary. It is especially important to do this at the beginning of each new season.
- Check swing seats, ropes, cables and chains monthly during usage season for evidence of deterioration. Replacement should be made of any swing seat that has developed cracks in the plastic seats or has exposed metal in the edges of the swing seat. If there are already exposed metal inserts on the edge of the seat, immediately remove the seats and chains to prevent serious injury. Ropes, cables and chains should be removed and replaced if excessive wear is found. Contact Gorilla for warranted replacement parts.
- For rusted areas on metallic members such as monkey bars, hand supports brackets, etc.; sand and repaint, using a non lead-based paint meeting the requirements of Title 16 CRF Part 1303.
- Inspect wood parts monthly. The grain of the wood sometimes will lift in the dry season causing splinters to appear. Light sanding may be necessary to maintain a safe playing environment. If you are treating your play set with stain regularly, it will help prevent severe checking/splitting and other weather damage.
- Once or twice a year, depending on your climate conditions, you must apply some type of protection (sealant) to the wood of your unit. Prior to the application of sealant, lightly sand any “rough” spots on your set. Please note this is a requirement of your warranty.
- Creating and maintaining the play set on a level location is very important. As your children play, your play set will slowly dig its way into the soil, and it is very important that it settles evenly. Make sure the play set is level and true once each year or at the beginning of each play season.
- Rake the playground surface periodically to prevent compaction and maintain appropriate depths. Disposal Instructions: When the play set is no longer desired, it should be disassembled and disposed of in such away that no unreasonable hazards will exist at the time the unit is discarded.



# Play Set Surfacing Recommendations:

Below are some of the recommendations that the U.S. Consumer Product Safety Commission (CPSC) offers from its *Handbook for Public Playground Safety*. The guide can be downloaded in full at [www.cpsc.gov/cpsc/pub/pubs/325.pdf](http://www.cpsc.gov/cpsc/pub/pubs/325.pdf)

**1. Protective Surfacing** - Since almost 60% of all injuries are caused by falls to the ground, protective surfacing under and around all playground equipment is the most critical safety factor on playgrounds.

Certain manufactured synthetic surfaces also are acceptable; however, test data on shock absorbing performance should be requested from the manufacturer.

Asphalt and concrete are unacceptable. They do not have any shock absorbing properties. Similarly, grass and turf should not be used. Their ability to absorb shock during a fall can be reduced considerably through wear and environmental conditions.

Certain loose-fill surfacing materials are acceptable such as the types and depths shown in the table.

## Fall Heights and Recommended Materials

Type Of Material	6 in. depth	9 in. depth	12 in. depth
Double-Shredded bark mulch	6' Fall Height	10' Fall Height	11' Fall Height
Wood Chips	6' Fall Height	7' Fall Height	12' Fall Height
Fine Sand	5' Fall Height	5' Fall Height	9' Fall Height
Shredded Tires*	10-12' Fall Height	n/a	n/a
Fine Gravel	6' Fall Height	7' Fall Height	10' Fall Height

\*This data is from tests conducted by independent testing laboratories on a 6-inch depth of uncompressed shredded tire samples produced by four manufacturers. The tests reported critical heights, which varied from 10 feet to greater than 12 feet. It is recommended that persons seeking to install shredded tires as a protective surface request test data from the supplier showing the critical height of the material when it was tested in accordance with ASTM F1292.

*It should be recognized that all injuries due to falls cannot be prevented no matter what surfacing material is used.*

**2. Fall Zones** - A fall zone, covered with a protective surfacing material, is essential under and around equipment where a child might fall. This area should be free of other equipment and obstacles onto which a child might fall. Stationary climbing equipment and slides should have a fall zone extending a Minimum of 6' in all directions from the perimeter of the equipment.

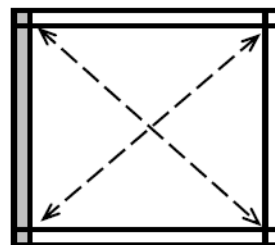
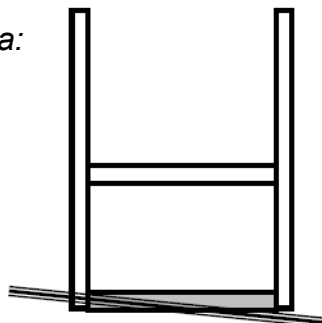
Swings should have a fall zone extending a minimum of 6' from the outer edge of the support structure on each side. The fall zone in front and back of the swing should extend out a minimum distance of twice the height of the swing as measured from the ground to the top of the swing support structure.

## Leveling Your Fort During Assembly

- Complete the steps which will be the basic frame of the fort {i.e. four corner posts with base (sand box boards) and deck supports}
- Position in the most level area chosen for the play set, keeping in mind the location and size of the swing beam, ladder, slides, etc. that extend off the fort.
- Once the frame is in the final position, check for vertical and horizontal levelness to determine which side(s) will need to be dug into the ground to level the play set.
- With a shovel, score the ground around the outside edges of the sandbox boards on the 'high' side of the fort. This is the area that will be dug in. Make sure to score deep enough; the scored lines will be your digging template.
- Push the frame off and away from the scored area, far enough to dig and remove dirt to reach the appropriate depth.
- Dig a channel along the scored line(s) for the base of the fort (corner post and sandbox boards) to rest into. Dig the channel(s) to the same level depth. The bottom of the channel(s) should be level to each other so your frame doesn't teeter or rock because the channel(s) are uneven.
- Once you have removed enough grass and dirt, slide/push the frame into the channel(s). Place a level on the vertical and horizontal boards of the frame to determine if enough soil, or too much, was removed.
- Repeat this process until the basic frame is plumb and level and in its final position before completing the rest of the assembly.
- Measure diagonally make sure fort is square.

**Important: if you require a channel depth of more than 6", then we recommend you have your play set area professionally graded before completing assembly.**

*Example Play Area:*



The diagonal measurements should be the same from corner post to corner post. If not, adjust fort so that the distance is equal.

■ = Area to be scored and channeled for levelness.

# General Info to Review Before Installation

- Depending on your experience, assembly of Gorilla Playsets can take as little as 6 hours up to 24 hours, depending on size, after inventory of parts; therefore, we recommend you set aside a full two days for assembly.
- Identify all of the parts for your play set. Empty each box and lay out boards so you can see each part. Your instruction book will have detailed drawings that will make it easy for you to recognize individual parts. Keep all hardware and metal parts separate from wooden pieces.
- After everything is laid out, check carefully to ensure all parts are present. Make sure there are no broken boards.
- Find an area to sort your hardware. It is best to open the hardware on a solid surface so that you do not lose any pieces in the grass. This will save time and familiarize you with all the different pieces in the hardware bag.
- Important note: Wood has some natural defects such as knots, surface cracks, etc... We reject parts that are structurally defective. We use a high quality lumber in our structures; however, you should inspect each part for splinters or rough spots and sand them smooth to prevent injury.
- After familiarizing yourself with all of the components, read all instructions thoroughly. Reading instructions after you have studied the parts will help you understand more clearly the installation process, and help to eliminate unnecessary mistakes.
- Pay close attention to the diameter and length of each bolt and screw.
- Never tighten hardware completely at first. It helps to have some adjustment for bolt alignment while you are attaching parts together. After everything is square, tighten each joint.
- After the main unit is assembled it is critical that the floor is **level** and **square**. If the main frame is not level, the walls and floor will be out of square.
- After you complete installation, make sure every bolt, screw, and nut is tight, and every board is secure. Wood will expand and contract with the seasons.
- Check all bolt connections and swing hangers seasonally.
- Place the set on level ground, not less than 6ft from any structure or obstruction such as a fence, garage, house, overhanging branches, laundry lines, or electrical wires.

**This page is a list of definitions and explanations used throughout our instructions to aid you in the assembly of your play set.**

**Offset Holes-** Throughout the installation procedures we will refer to parts with offset holes. This refers to the orientation of the holes on the board. An offset hole is one that is closer to one side than it is to the other or in other words, it is not centered on the board. In the procedures you will be instructed to attach the boards with the holes offset up or with the holes offset down. This refers to which side of the board the hole/holes should be closer to. Offset holes up= hole/holes will be closer to the top of the board. Offset holes down= hole/holes will be closer to the bottom of the board. Note: some parts do not have offset holes, but instead the holes are on center. Therefore there will not be any reference to how to offset these parts.

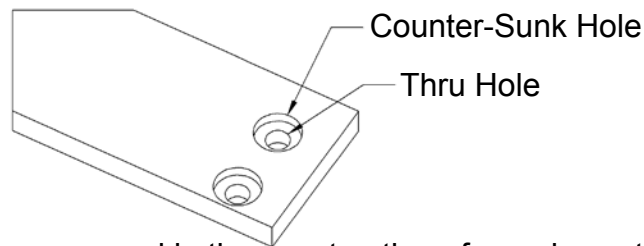
### **EXAMPLE OF OFFSET HOLES DOWN**



### **EXAMPLE OF OFFSET HOLES UP**



**Counter-sunk holes-** Many of the parts that will be used have counter-sunk holes. A counter-sunk hole is one that surrounds one side of a thru hole, but does not extend through the wood it's self. When using a counter-sunk hole the bolt will be inserted through the thru hole. In some cases the bolt head with a washer will occupy the counter-sunk hole. In other cases a nut with a washer will occupy the counter-sunk hole.

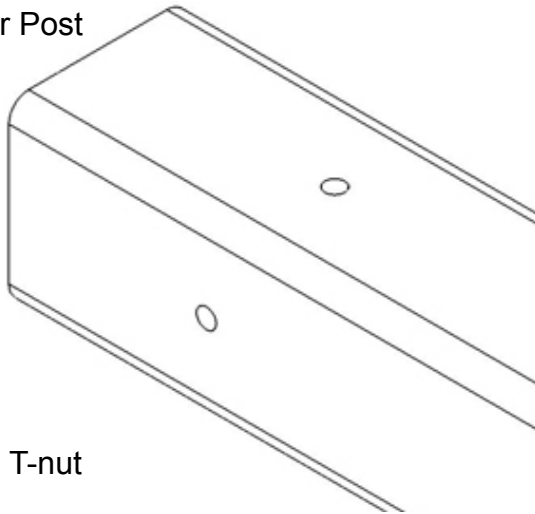


**Lag Screws-** Lag screws are used in the construction of our play sets to enhance the structural integrity of the unit. There will not be predrilled holes in the post for lag screw installation. Lag screws are self-tapping, though if you are using a manual socket wrench it may be necessary to tap the head of the lag screw with a hammer. You should also be sure to tighten the lag screws completely. Power tools such as an impact wrench or power drill should have enough torque to drive the lag screws without using a hammer, but make sure not to over tighten as this can cause the threads to “strip out” in the post.

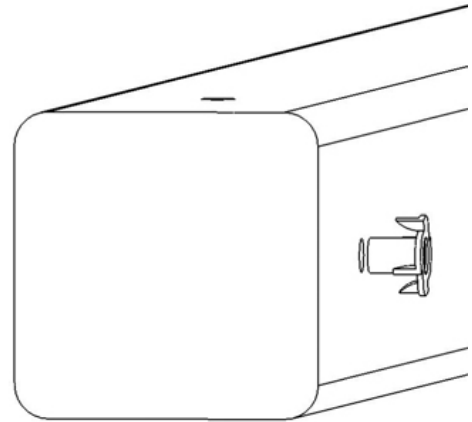
# Common Installation Practice Installing T-nuts

When installing T-nuts into the wood, use a smooth faced hammer to set the face of the T-nut flush into the wood

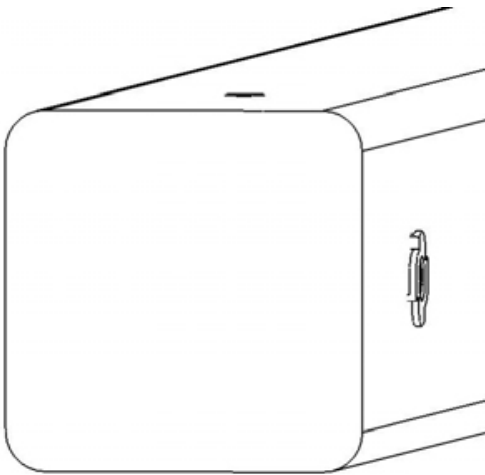
Corner Post



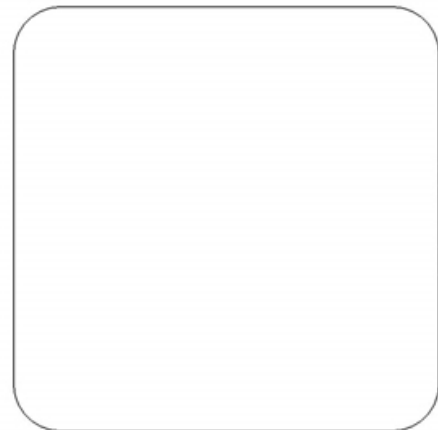
T-nut



Insert the barrel of the T-nut into the predrilled hole. Using a smooth faced hammer, drive the T-nut until the face of the T-nut is flush to the wood.

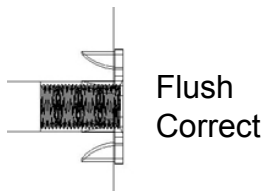


This picture shows the T-nut insert and installed flush to the wood.



This picture shows an end view of the T-nut insert and installed flush to the wood.

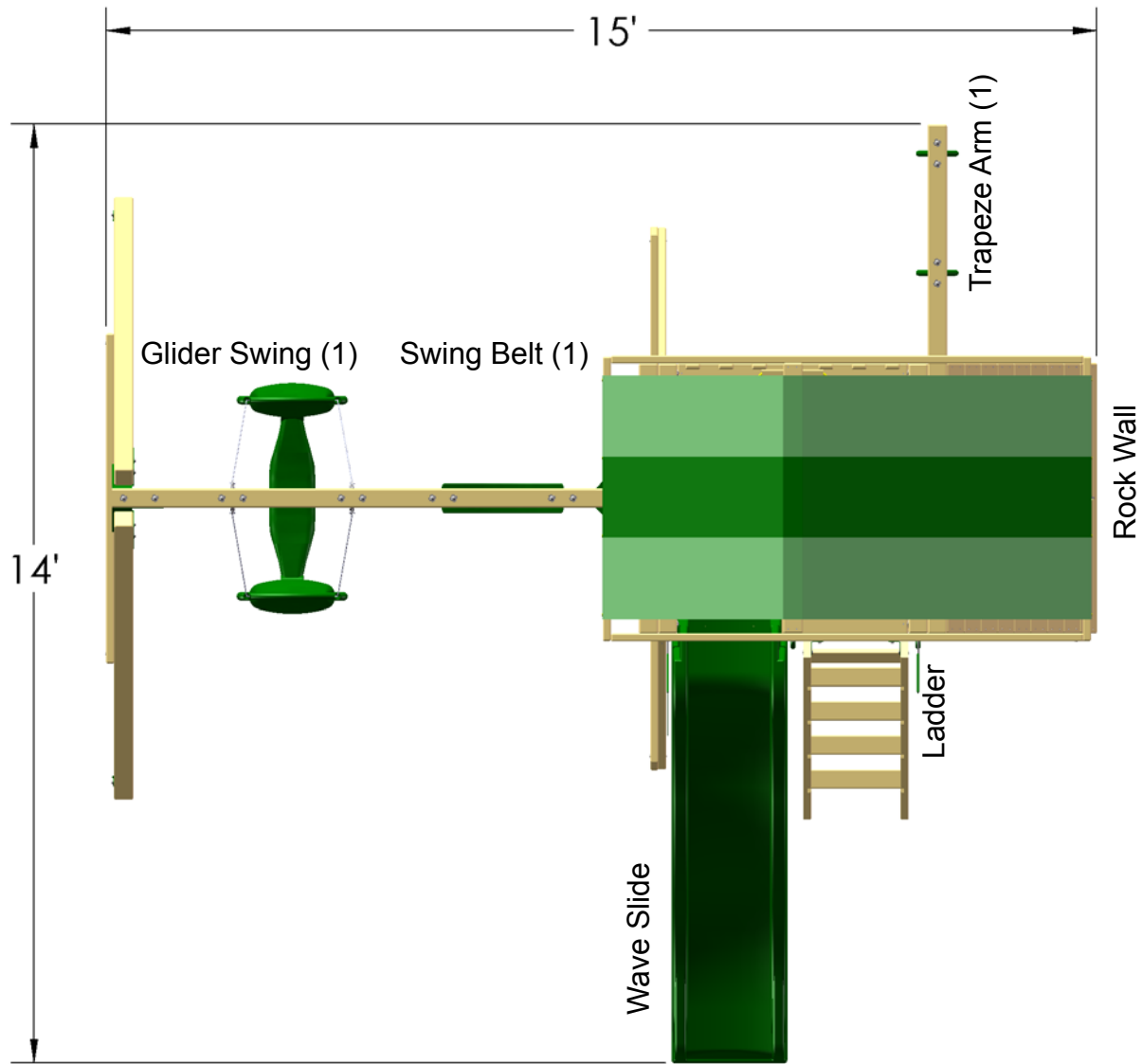
**WARNING: DO NOT EMBED THE TOP OF THE T-NUT INTO THE FACE OF THE WOOD**



Cross Section end views, you are looking at an Xray view of the post and T-nut. The barrel of the T-nut is in the corner post the line is the face of the wood.

**Please familiarize yourself with the manual, parts/components and general construction process of your new playset before getting started.**

**SITE PLAN:**



Playset height: 10'6"

Approximate assembly time: 5-7 Hours

**(6) foot unobstructed safety perimeter around playset recommended**

## **REQUIRED TOOL LIST:**

- \_\_\_ Standard or Cordless Drill w/ Phillips Bit (#2 square bit provided)
- \_\_\_ 1/8" Drill Bit
- \_\_\_ 3/8" Drill Bit
- \_\_\_ 1/2" Wrench and Socket
- \_\_\_ 1/2" Deep Well Socket
- \_\_\_ 9/16" Deep Well Socket
- \_\_\_ 9/16" Wrench and Socket
- \_\_\_ Level
- \_\_\_ Tape Measure
- \_\_\_ Extension Cord (if using standard drill)
- \_\_\_ Hammer
- \_\_\_ Pencil
- \_\_\_ Locking Pliers (Vise Grips)
- \_\_\_ Shovel

## **KIT CONTENTS**

### **Swings, Slides, Accessories:**

- | (Qty )   | Description                       |
|----------|-----------------------------------|
| ___ (1)  | Swingbelt w/ Chains               |
| ___ (1)  | 8ft. Wave Slide                   |
| ___ (1)  | Excursion II Assembly Manual      |
| ___ (10) | Rock Wall Grips (assorted colors) |
| ___ (1)  | Trapeze Swing                     |
| ___ (1)  | Telescope                         |
| ___ (1)  | Steering Wheel                    |
| ___ (2)  | Safety Handles                    |
| ___ (1)  | Glider Swing w/ Chains            |
| ___ (1)  | Tic-Tac-Toe Panel                 |
| ___ (2)  | Flag Kit                          |

### **Fort & Swing Beam Hardware:**

*see following pages*

### **Wood Components:**

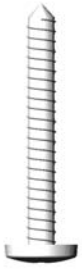
*see following pages*

## **READ! VERY IMPORTANT!**

If you are missing parts or have questions regarding the installation of our quality product PLEASE call us directly at the factory **(1-800-882-0272)**. Our trained staff will be happy to assist you.

**Customer service hours:**  
**Monday thru Friday 8AM – 5PM EST**  
**E-mail: [custrsv@gorillaplaysets.com](mailto:custrsv@gorillaplaysets.com)**

**Use the ruler to the right to measure your bolts and screws. Picture views shown below are 1:1 scale and can be used to match bolt and screw sizes.**



# 14 x 1 1/4"  
Pan Head Screw  
QTY:8

8 x 1 1/4"  
Wood Screw  
QTY: 2



8 x 2"  
Wood Screw  
QTY: 144



8 x 2 1/2"  
Wood Screw  
QTY: 25



8 x 3"  
Wood Screw  
QTY: 4



5/16 x 4 1/2"  
Hex Bolt  
QTY: 32



5/16 x 2 1/2"  
Hex Bolt  
QTY: 6



5/16 x 1 1/2"  
Hex Bolt  
QTY: 4



5/16" Tee Nut  
QTY: 42



3/8" Lock Nut  
QTY: 21



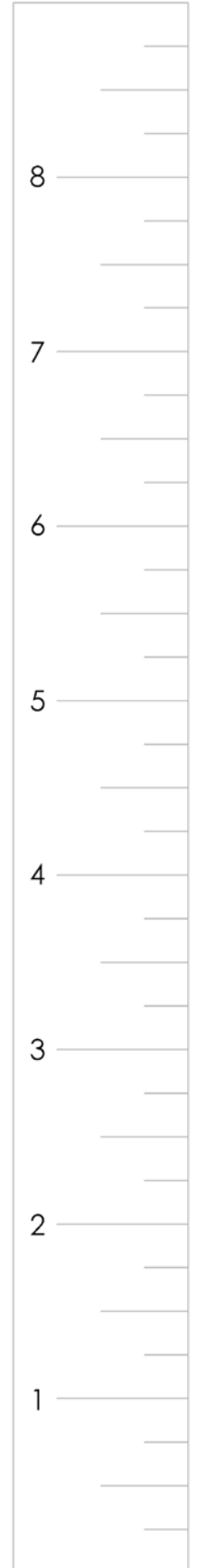
Torque Washer  
QTY: 19



3/8" Washer  
QTY: 33



5/16" Washer  
QTY: 42





Use the ruler to the right to measure your bolts and screws. Picture views shown below are 1:1 scale and can be used to match bolt and screw sizes.



3/8 x 9"  
Carriage Bolt  
QTY: 1



3/8 x 6 1/2"  
Carriage Bolt  
QTY: 14



3/8 x 4 1/2"  
Carriage Bolt  
QTY: 4



3/8 x 3 1/2"  
Hex Lag Screw  
QTY: 12



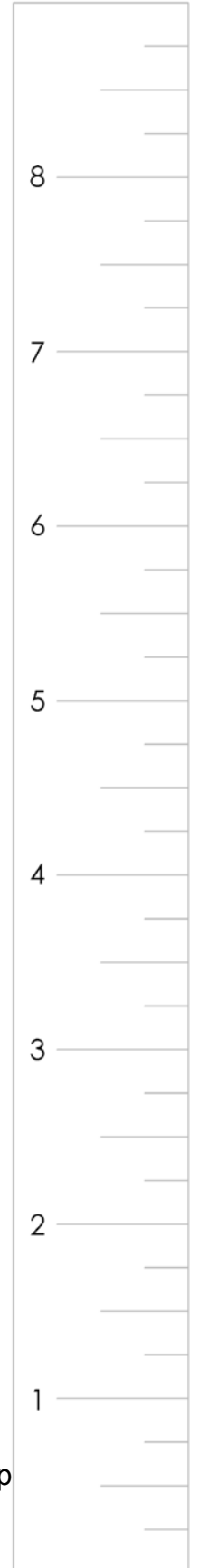
3/8 x 3 1/2"  
Carriage Bolt  
QTY: 2

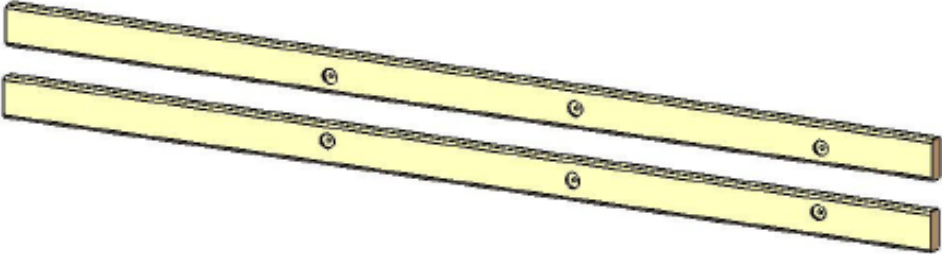
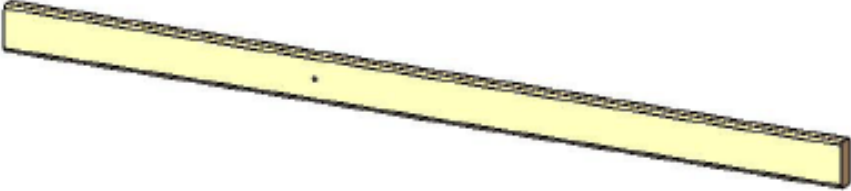
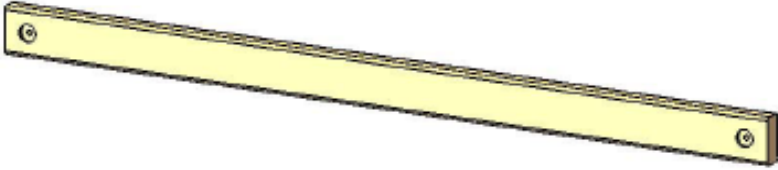
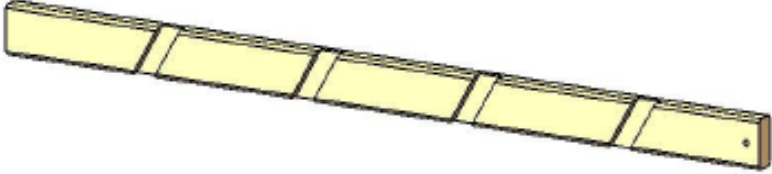
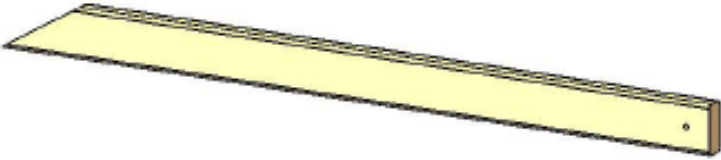
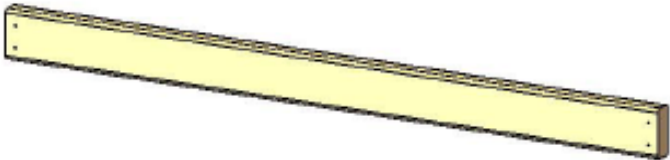



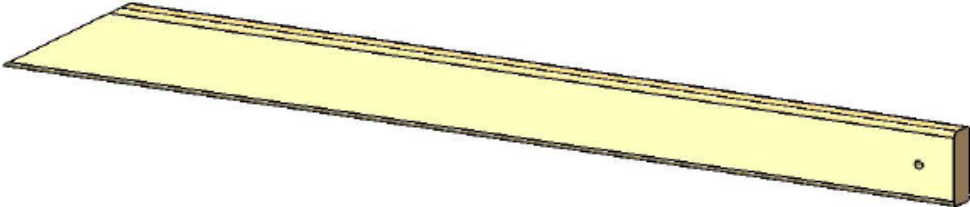
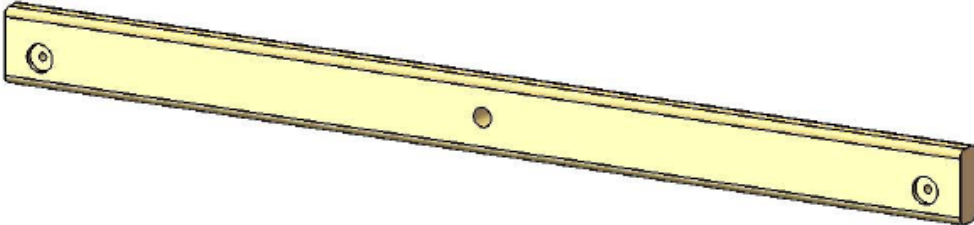
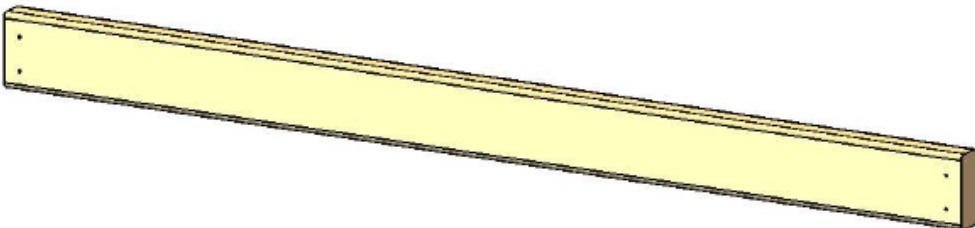
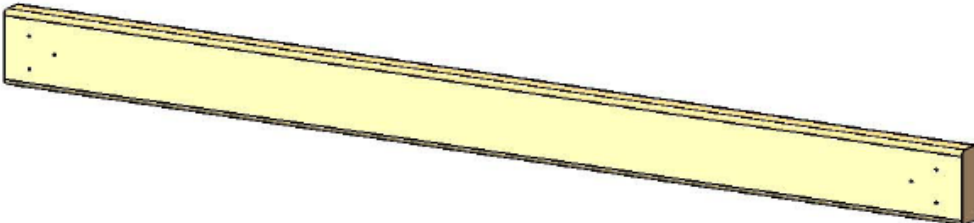
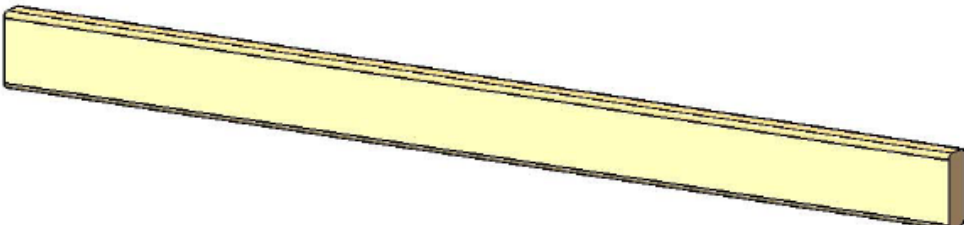
# 2 Square  
Drive Tip  
QTY: 1

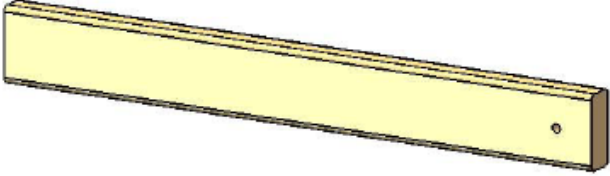
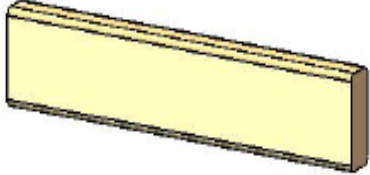
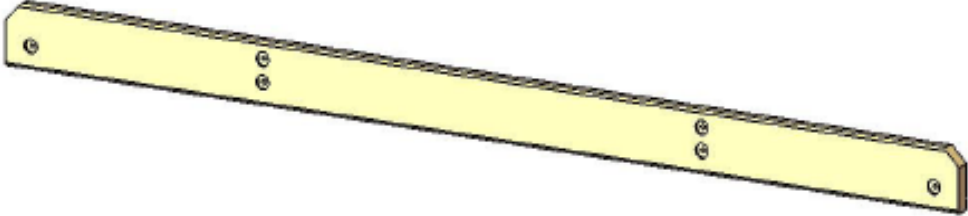
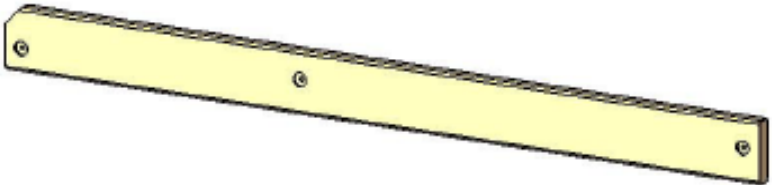
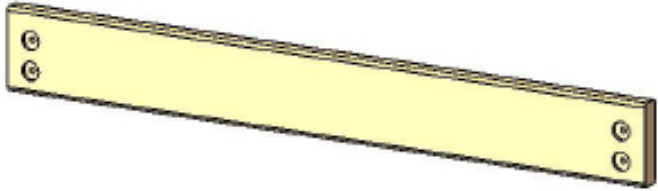
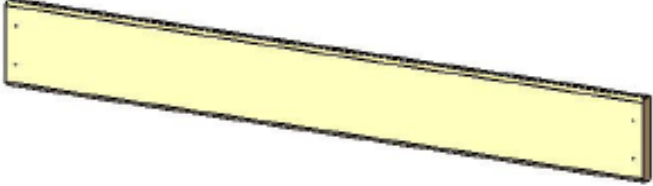


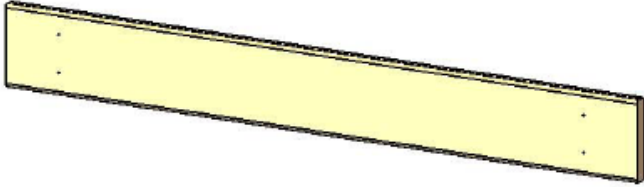
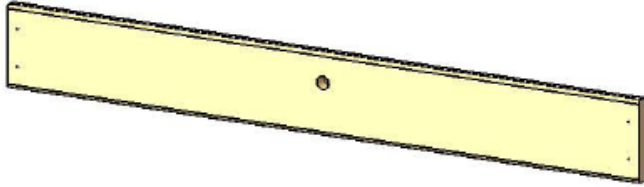
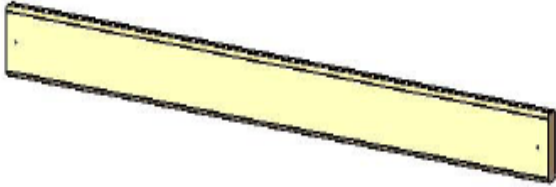
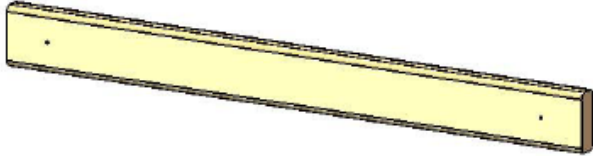
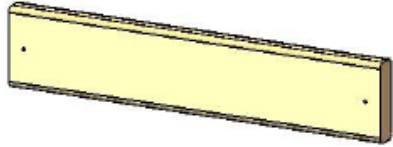
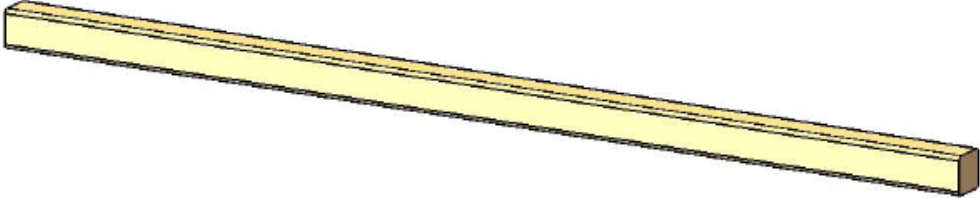
Plastic Bolt Cap  
QTY: 21

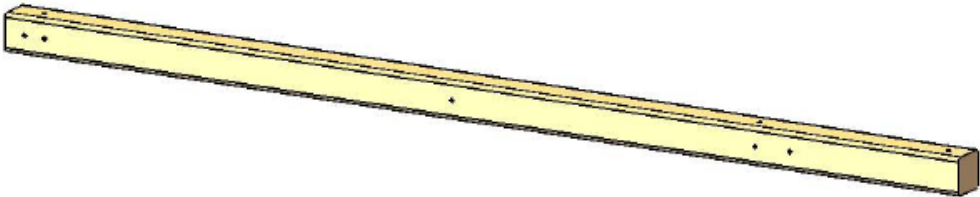
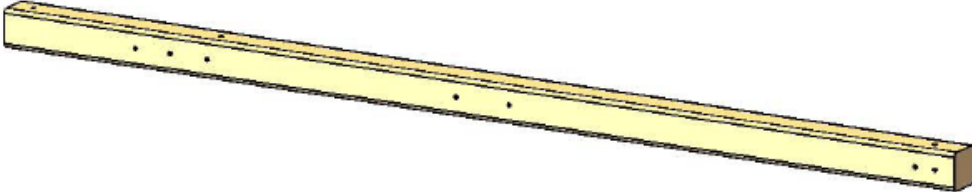
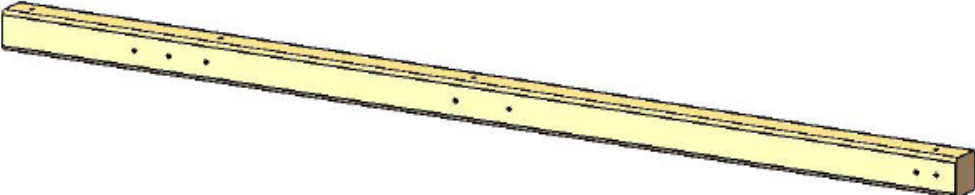
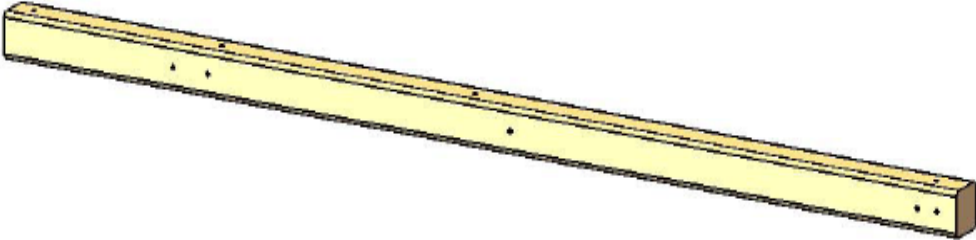
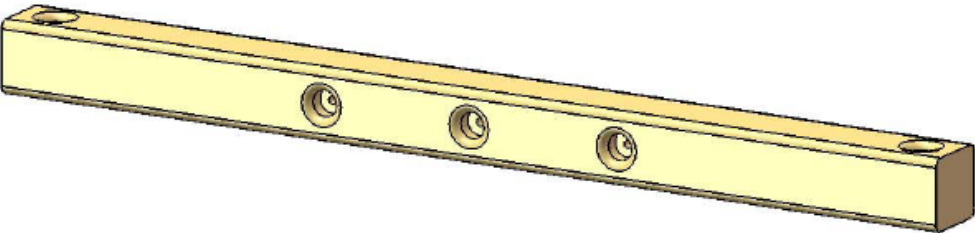
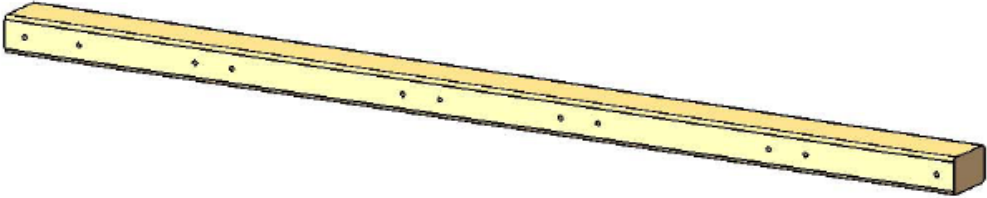


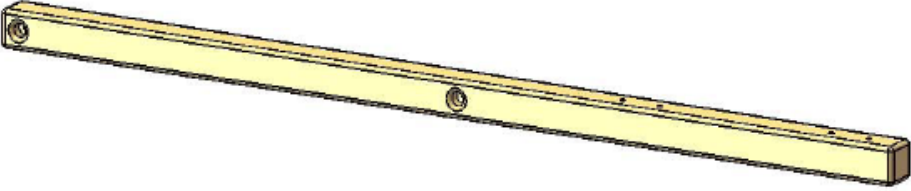
Picture	Description	Qty.
	<p>2 x 4 x 83" Tarp support board (left and right side)</p>	<p>2</p>
	<p>2 X 4 X 73-1/2" Front Center Posts</p>	<p>1</p>
	<p>2 X 4 X 58" Swing Leg Cross-Member</p>	<p>1</p>
	<p>2 X 4 X 57" Ladder Side (1 Left, 1 Right)</p>	<p>2</p>
	<p>2 X 4 X 53-1/2" Rock Wall Support</p>	<p>2</p>
	<p>2 X 4 X 50" Tarp Board</p>	<p>2</p>

Picture	Description	Qty.
	2 x 4 x 47-1/2" Rear panel, Panel, and Deck support, Safety board, Back panel Board	7
	2 x 4 x 47-1/2" Fort Side Support	2
	2 x 4 x 47-1/2" Top Panel Board	1
	2 x 4 x 47-1/2" Center Tarp Board	1
	2 x 4 x 47-1/2" Front Face Board	1
	2 x 4 x 47" Center Stringer	2


Picture	Description	Qty.
	2 x 4 x 29" Rear Center Post	1
	2 x 4 x 17" Ladder Step	4
	2 x 6 x 95-1/2" Ground Support Board	1
	2 x 6 x 75" Side Sandbox Board (1 Left. 1 Right)	2
	2 x 6 x 47-1/2" Sandbox Board	1
	5/4 x 6 x 47-1/2" Rock Wall Board	9



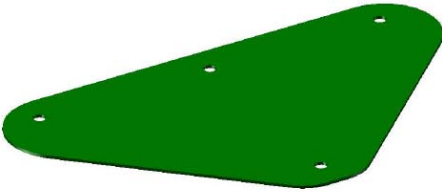
Picture	Description	Qty.
	5/4 x 6 x 47-1/2" Deck Board	7
	5/4 x 6 x 47-1/2" Rock Wall One Hole Board	1
	5/4 x 4 x 40-1/2" Deck Spacer	2
	5/4 x 3 x 28-1/2" Panel Slat	14
	5/4 x 4 x 18-1/2" Ladder Back	1
	4 X 4 X 96" Swing Leg	2

Picture	Description	Qty.
	4 X 4 X 96" Corner Post 1	1
	4 X 4 X 96" Corner Post 2	1
	4 X 4 X 96" Corner Post 3	1
	4 X 4 X 96" Corner Post 4	1
	4 X 4 X 47-1/2" Swing Beam Support	1
	4 X 6 X 96" Swing Beam	1


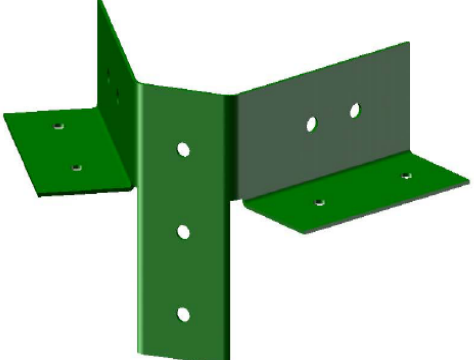

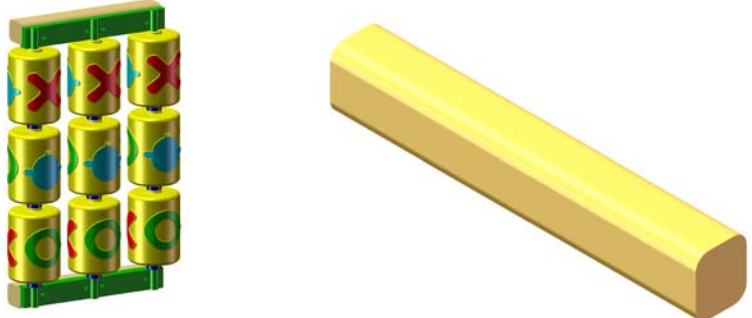
Picture	Description	Qty.
	4 X 4 X 89-1/2" Trap Arm	1


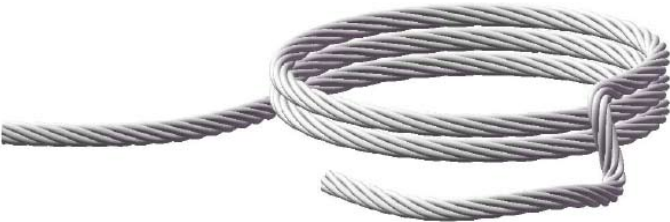
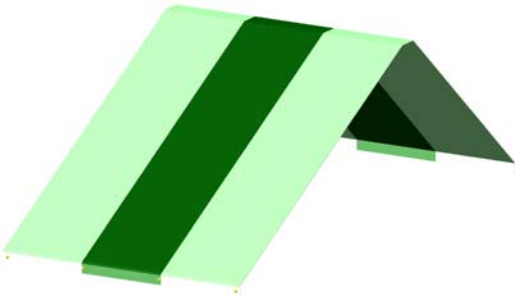


Count and organize your lumber into like stacks (2 x 4, 2 x 6, 4 x 4, 4 x 6, etc.). This will help in identifying components and reduce your building time



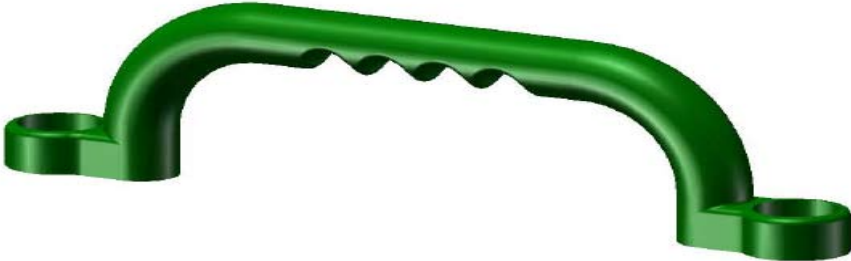
	8' Wave Slide	1
--	------------------	---

Picture	Description	Qty.
	<p>Swings w/ Chains</p> <p>Trapeze Bar w/Chains</p>	<p>1</p> <p>1</p>
	<p>Glider Swing w/Chains</p>	<p>1</p>
	<p>Swing Plate</p>	<p>1</p>



Picture	Description	Qty.
	Climbing Rocks	10
	A-Frame Swing Leg Bracket	1
Not Shown	Hardware Box Instructions	1
	Iron Ductile Swing Hangers	6
	Tic-Tac-Toe Panel	1
	Tic-Tac-Toe Boards 1-3/8 x 1-5/8 x 10-1/2"	2

Picture	Description	Qty.
	Spring Clamp	6
	10' Rope	1
	Tarp	1
	Flag Kit	2
	Ground Stake	4

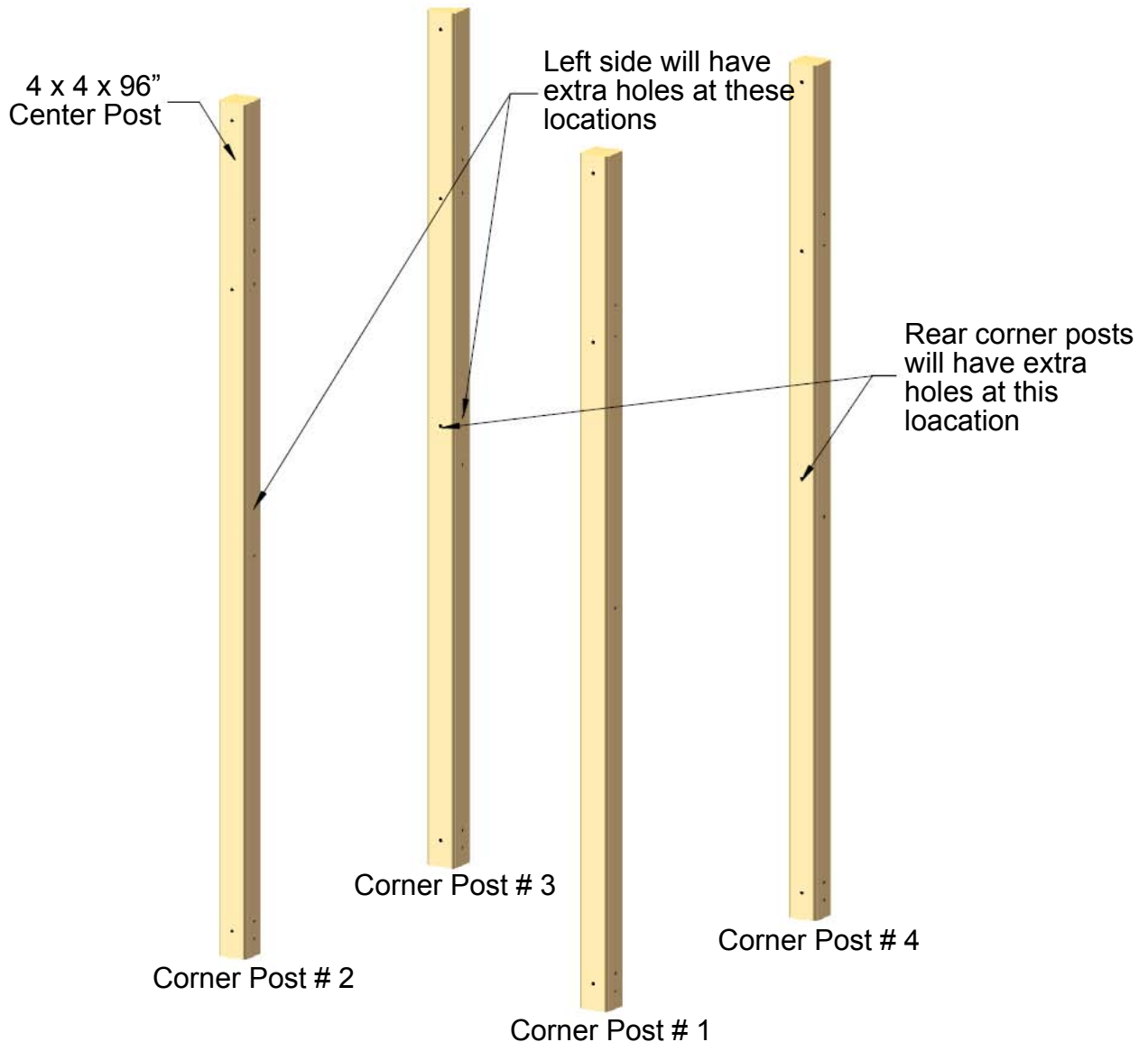
Picture	Description	Qty.
	Telescope	1
	Steering Wheel	1
	Safety Handle	2

## Step 1: Corner Post Layout

1: This step is critical to building the fort properly. If any mistakes are made here, you will need to dis-assemble and then re-assemble to make your corrections.

2: Lay out each of the 4 x 4 x 96" Corner Posts in the area you intend on building the fort side of the playset.

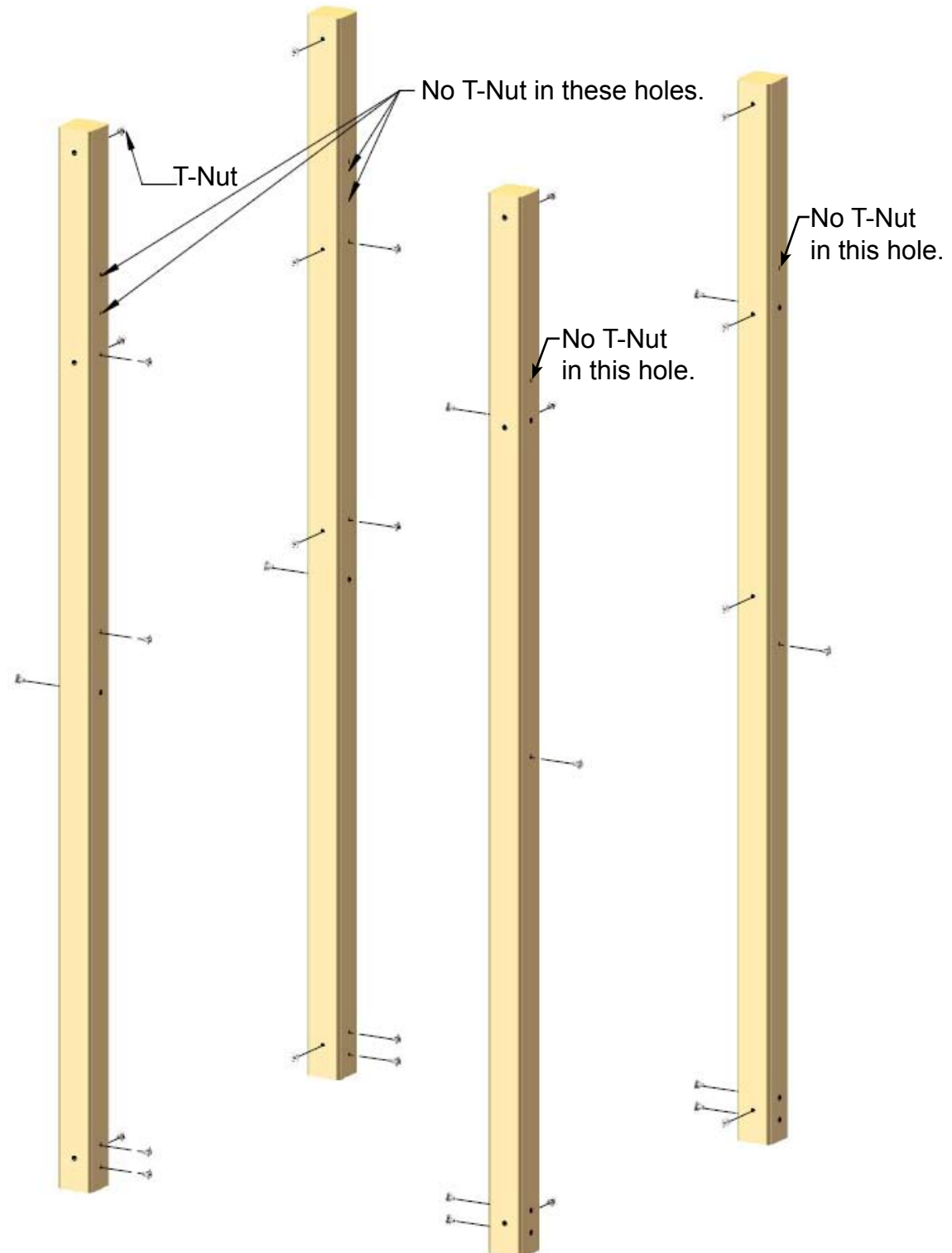
3: Use the diagram below to correctly identify and orient the necessary direction the posts should face. Note: the ladder side is considered the front of the playset with the swing beam extending off to the left side. If you prefer the swing beam on the right side, reverse the orientation of the corner posts in this step.



## Step 2: Inserting T-Nuts Into Corner Posts

1: Use a hammer to seat the t-nuts after inserting them into the holes shown in the diagram below.

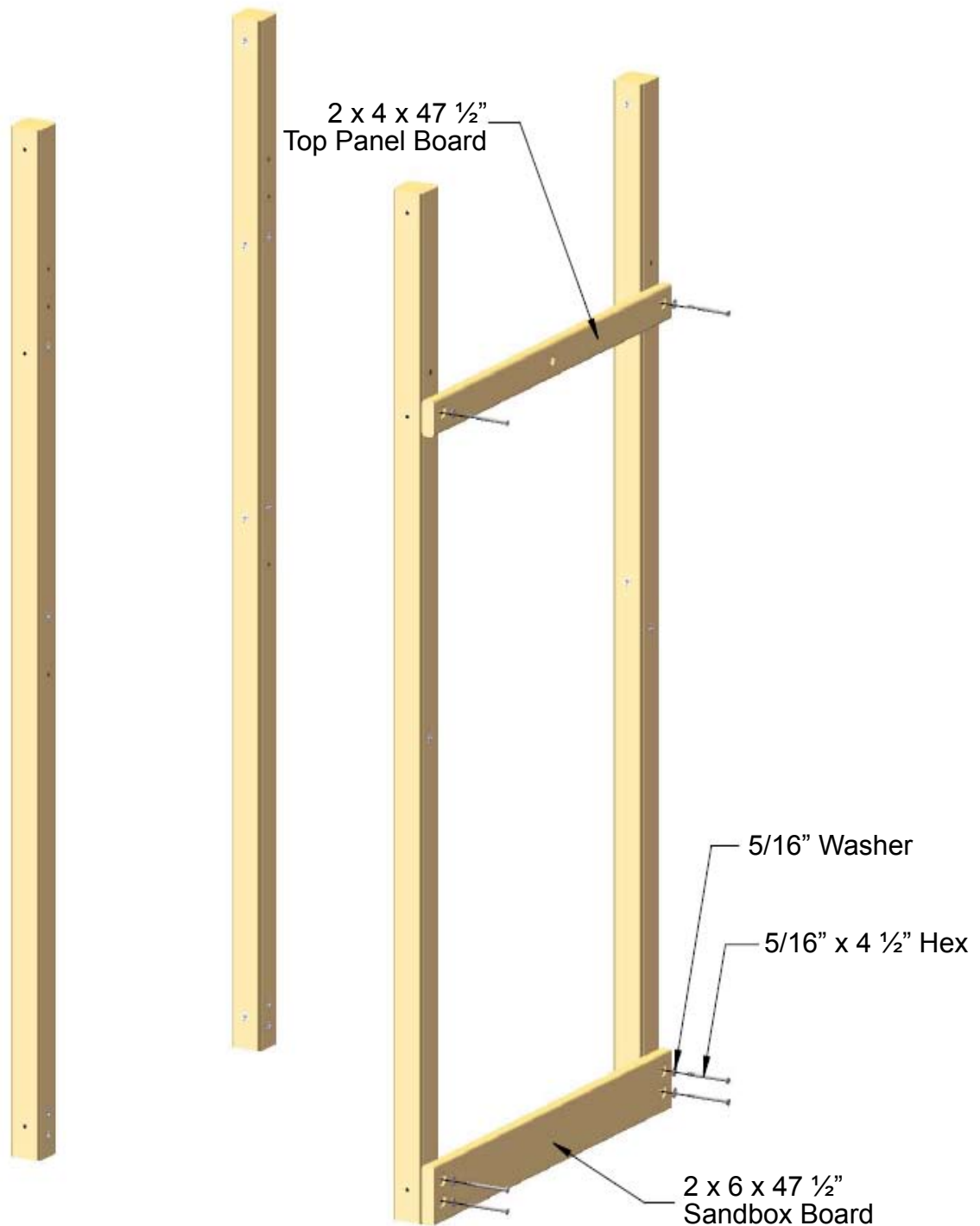
2: The barrel of the t-nut should go in the hole first. Hammer the t-nut until it is flush/ almost flush to the Corner Posts.



### Step 3: Attaching Sandbox And Top Panel Board

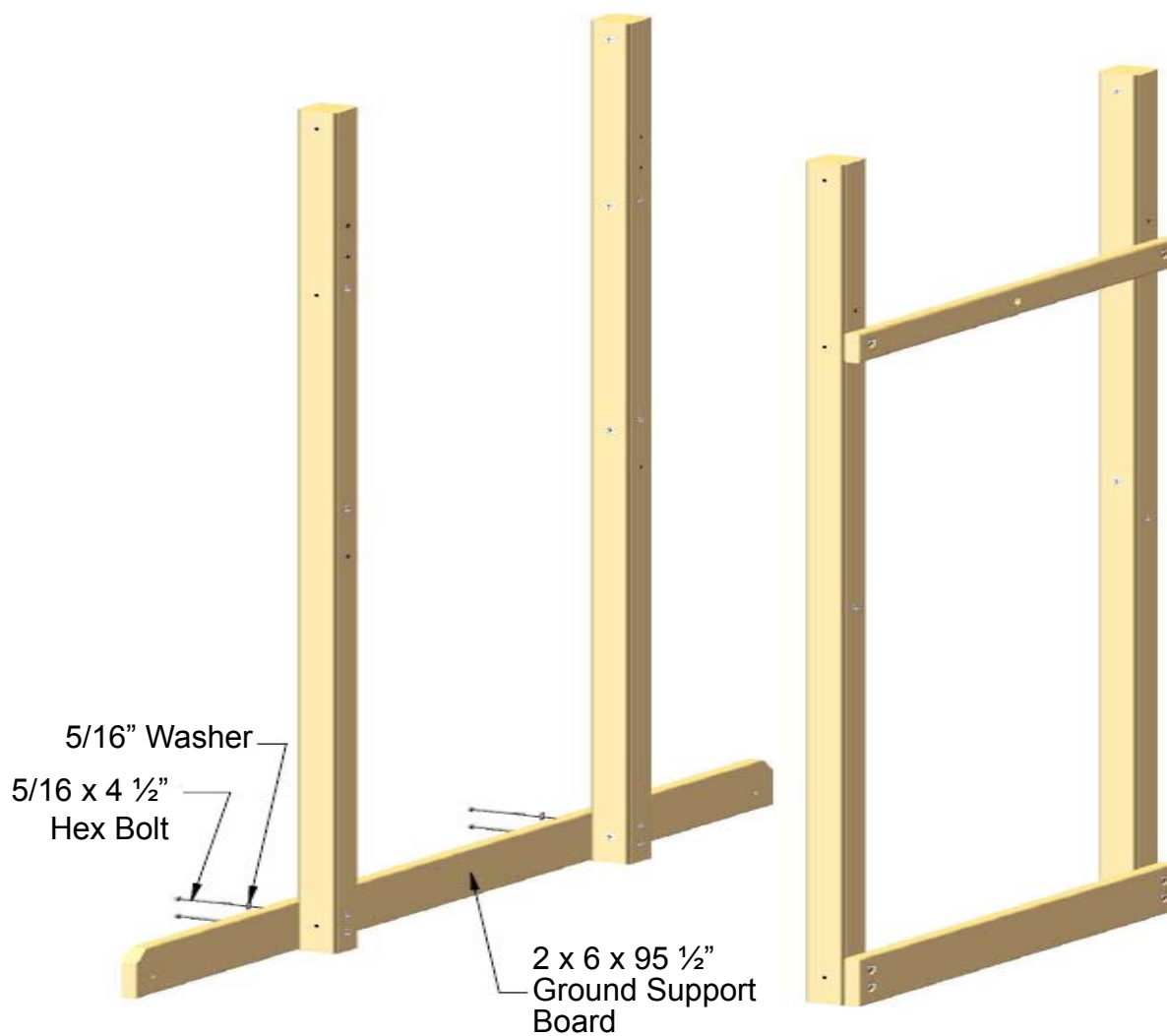
1: The 2 x 6 x 47 1/2" Sandbox Board (with four pre-drilled holes) attaches to the bottom of the right side Corner Posts with 5/16" x 4-1/2" hex bolts and 5/16" washers.

2: The 2 x 4 x 47 1/2" Top Panel Board (with three pre-drilled holes) attaches to the top set of holes on the right side of the Corner Posts, offset holes up, with 5/16" x 4-1/2" hex bolts and 5/16" washers.



## Step 4: Attaching Ground Support Board

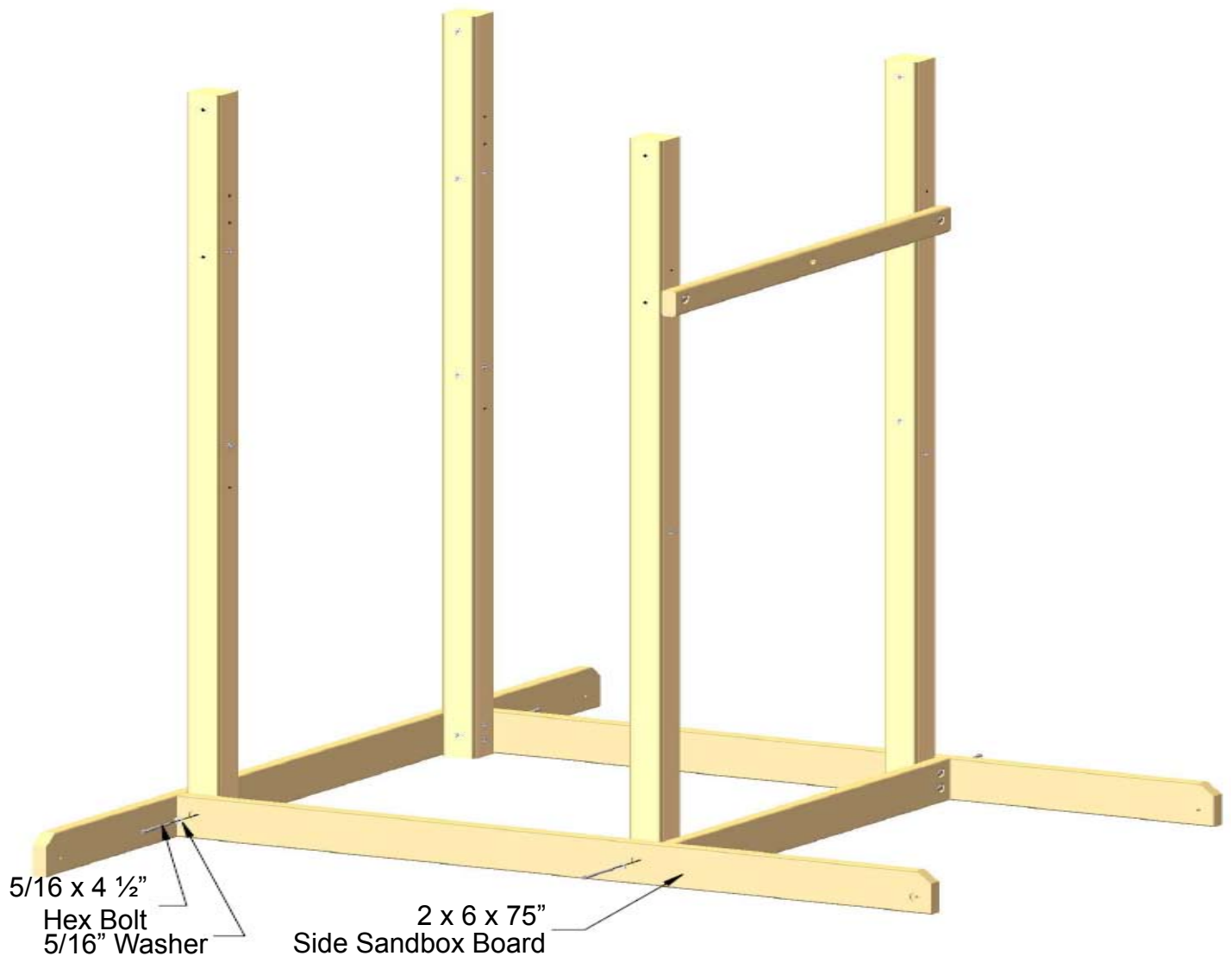
1: The 2 x 6 x 95 1/2" Ground Support Board (with six pre-drilled holes) attaches to the bottom of the left side Corner Posts with 5/16 x 4-1/2" hex bolts and 5/16" washers.



## Step 5: Attaching the Side Sandbox Boards

1: The 2 x 6 x 75" Side Sandbox Boards (with three pre-drilled holes) attaches to the bottom of the front and rear Corner Posts with 5/16 x 4-1/2" hex bolts and 5/16" washers.

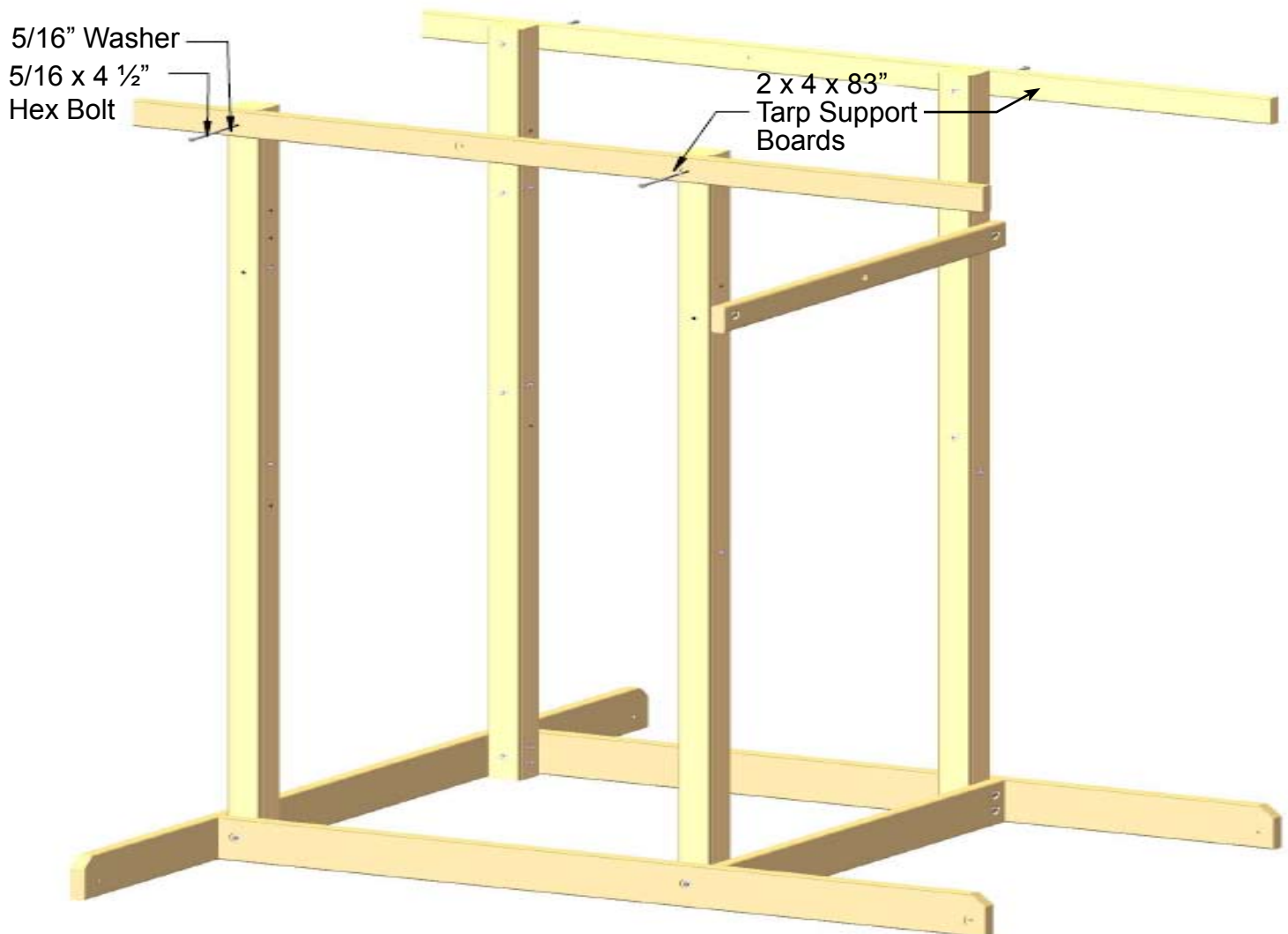
2: The structure should be able to stand on its own, without any support, at this stage.





## Step 6: Attaching Tarp Support Boards

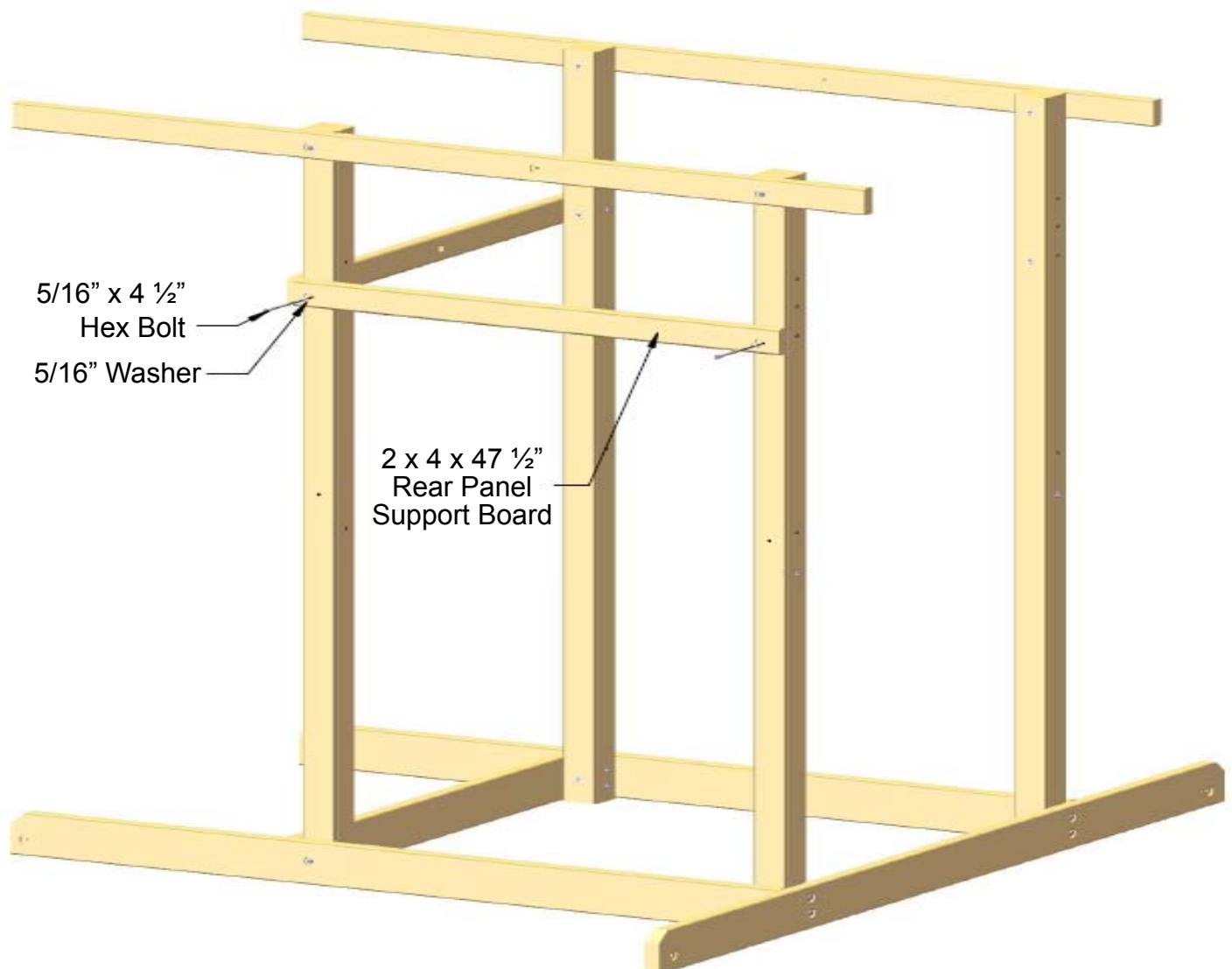
- 1: The 2 x 4 x 83" Tarp Support Boards (with three pre-drilled holes) attach to the top of the front and rear Corner Posts with 5/16 x 4-1/2" hex bolts and 5/16" washers.
- 2: Offset holes should be pointed down on both boards.
- 3: The shortest end from the counter-sunk holes will point toward the swing beam side of the fort.



## Step 7: Attaching Rear Panel Support Board

1: The 2 x 4 x 47 1/2" Rear Panel Support board (with two pre-drilled holes) attaches to the set of holes below the Tarp Support Board on the back side of the fort with 5/16" x 4-1/2" hex bolts and 5/16" washers.

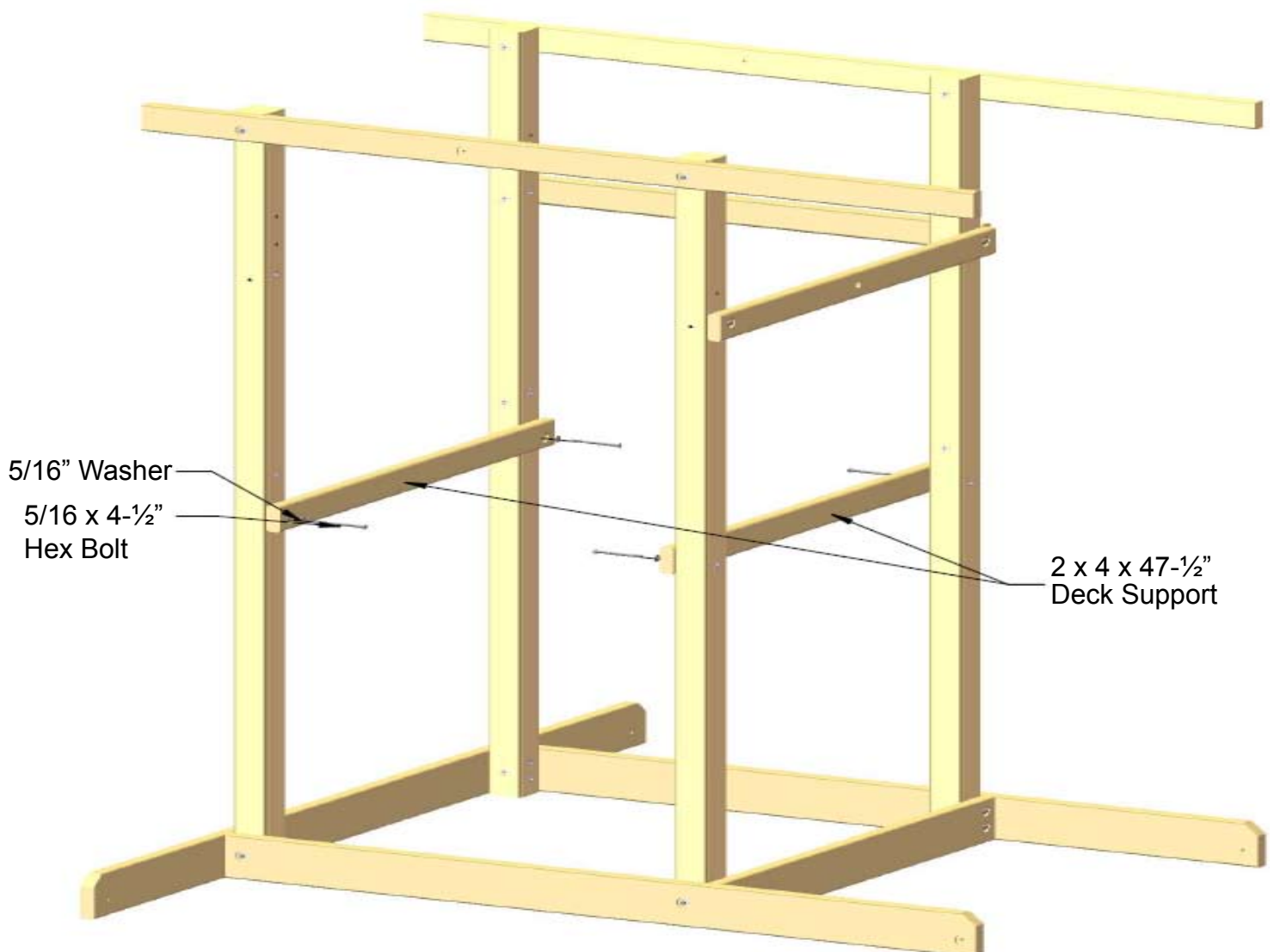
2: Offset holes should be pointed down.



## Step 8: Attaching Deck Supports

1: The 2 x 4 x 47-1/2" Deck Support Boards (with two pre-drilled holes) attach to the set of holes above the Sandbox Board and the Ground Support board on the inside of the left and right side of the Corner Posts with 5/16 x 4-1/2" hex bolts and 5/16" washers.

2: Offset holes should be pointed down on both boards.

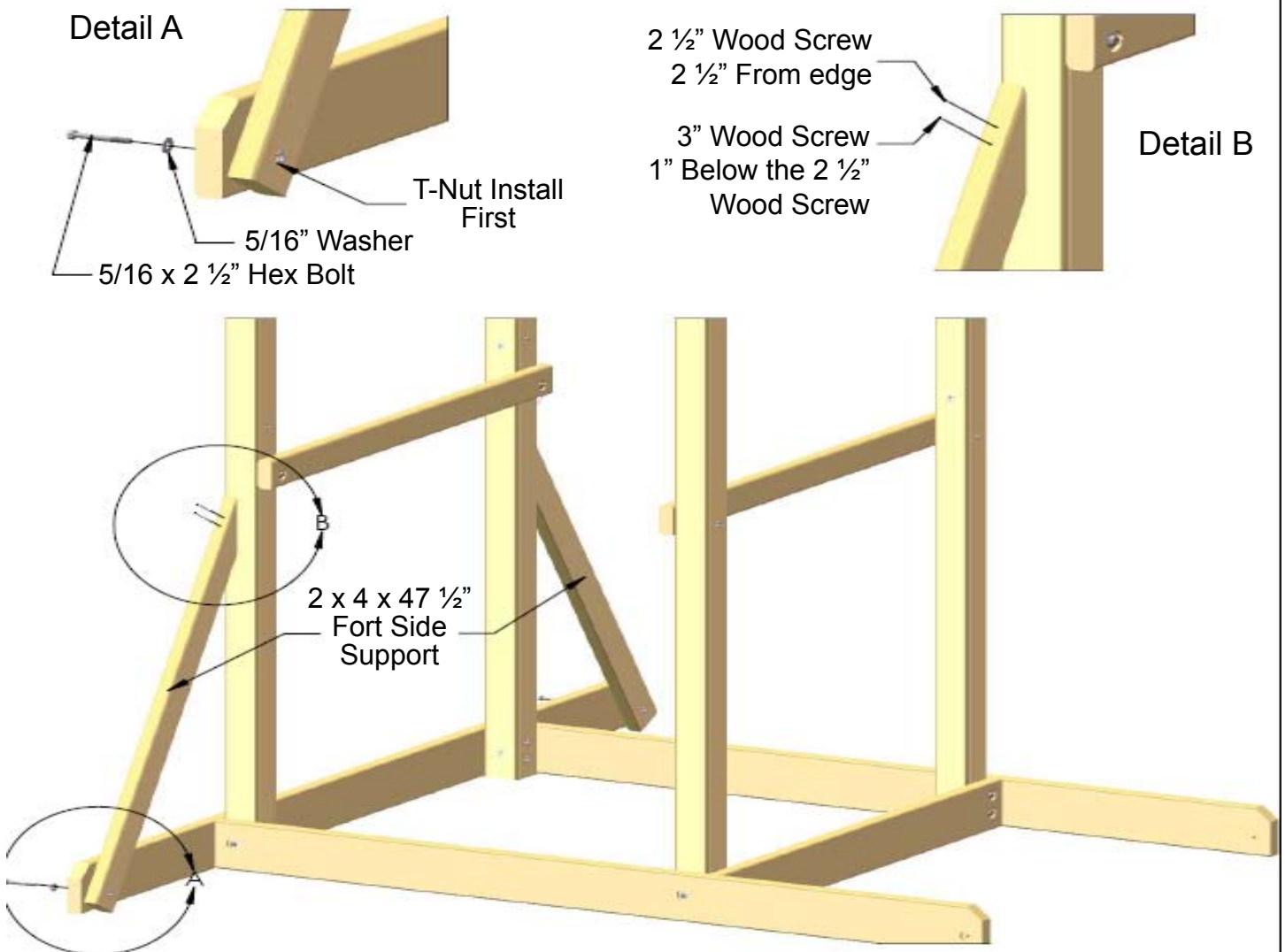


## Step 9: Attaching Fort Side Supports

1: Lay the 2 x 4 x 47 1/2" Fort Side Supports on a flat surface with the angled ends orientated the way they will be installed onto the fort. Place a T-nut in the pre-drilled hole on each end and secure with a hammer.

2: The 2 x 4 x 47 1/2" Fort Side Supports (with angled ends) attach to the holes on the ends of the Ground Support Board on the inside with 5/16 x 2-1/2" hex bolts and 5/16" washers. See Detail "A". The angled ends should rest flush against the Corner Posts. See Detail "B" for clarification if necessary.

3: Ensure that the two Fort Side Supports are attached properly to the Ground Support Board before securing them to the Corner Posts. Use a 2-1/2" wood screw at the top of the Fort Side Support 2-1/2" below the edge, then use a 3" wood screw 1" below the 2-1/2" wood screw. See Detail "B" for clarification if necessary.



## Step 10: Attaching Deck Spacers, Panel And Face Boards

1: The order in which these boards are installed is very important. Follow the steps carefully.

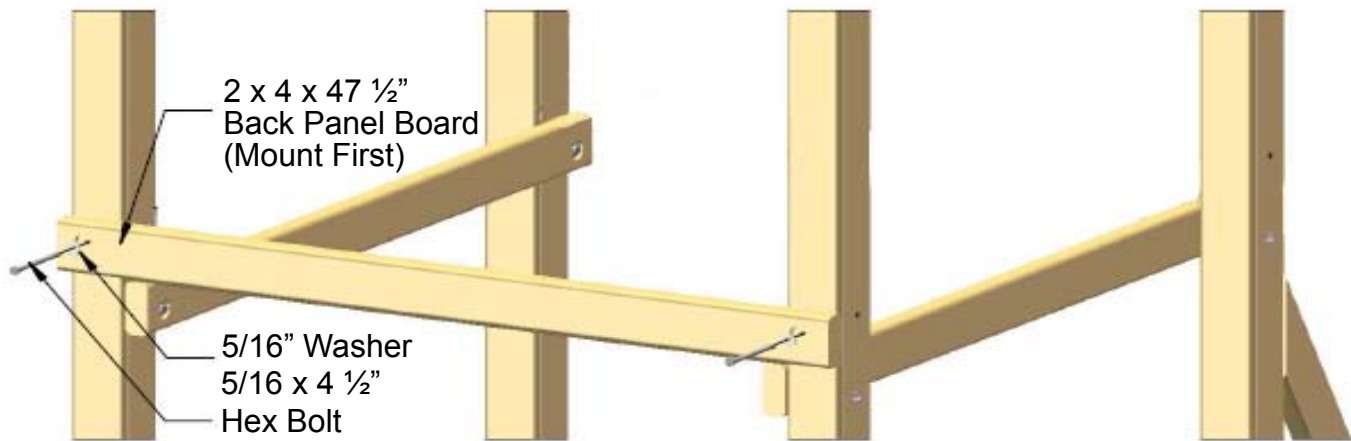
2: First, with offset holes down, secure the 2 x 4 x 47-1/2" Back Panel Board to the Corner Posts with 5/16 x 4-1/2" Hex bolts and 5/16" washers.

Note: the bottom of the Back Panel Board will be flush to the top of the Deck Spacer.

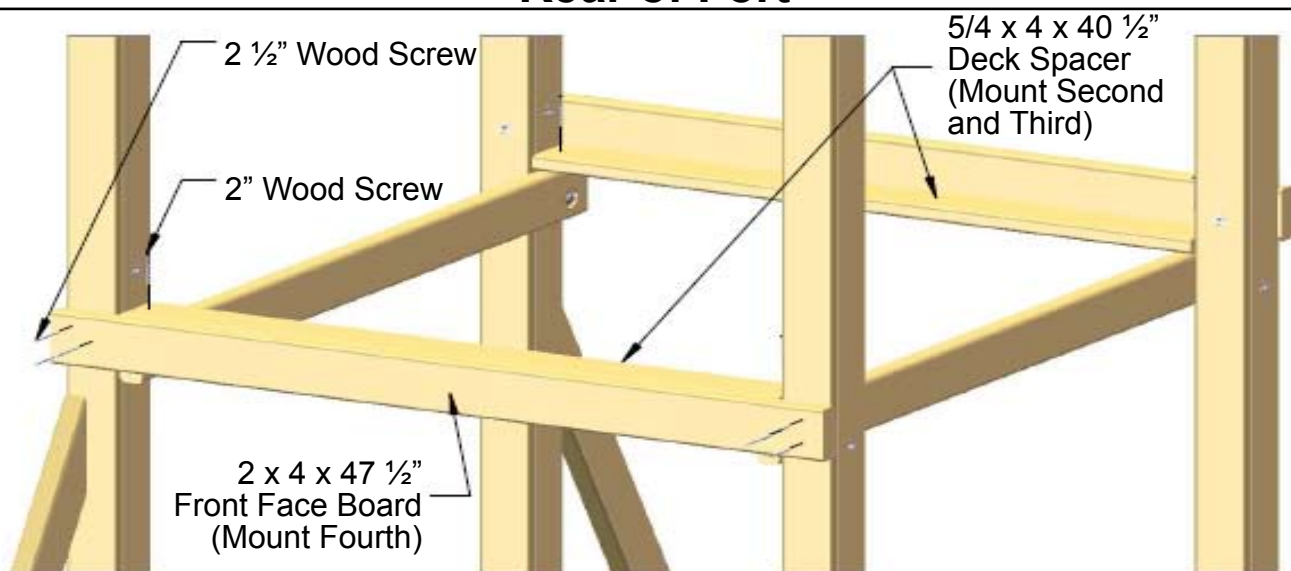
3: Second, the 5/4 x 4 x 40-1/2" Deck Spacer mounts between the rear Corner Posts, flush to the edges, with two 2" wood screws.

4: Third, the 5/4 x 4 x 40-1/2" Deck Spacer mounts between the front Corner Posts, flush to the edges, with two 2" wood screws.

5: Fourth, the edge of the 2 x 4 x 47-1/2" Front Face Board will be flush to the top of the Deck Spacer. Secure the Front Face Board to the Corner Posts with three 2 1/2" wood screws per side.



**Rear of Fort**



**Front Of Fort**

## Step 11: Ladder Assembly

1: Lay one 2 x 4 x 57" Ladder Side on a flat surface with channels facing down. Place the barrel of a T-nut in the hole at the top of the Ladder Side, and secure with a hammer. Repeat this step for the other Ladder Side.

1: Flip the Ladder Side over so that the channels are facing up.

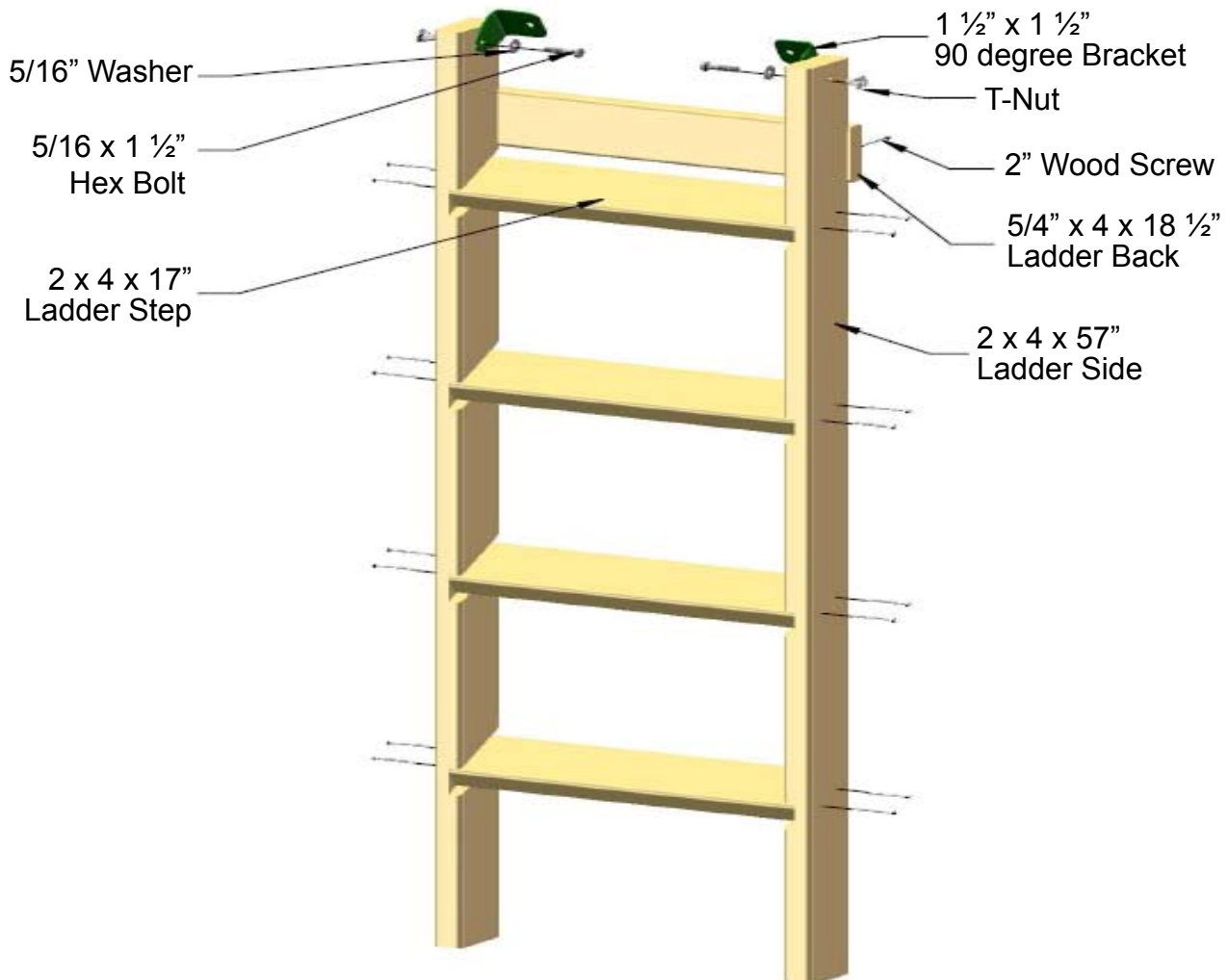
2: Place the Ladder Steps into the channels, and then place the second Ladder Side on top, with the channels facing down.

3: Now place two 2" wood screws in each step.

4: Carefully turn the Ladder over and finish the other side with two 2" wood screws per step.

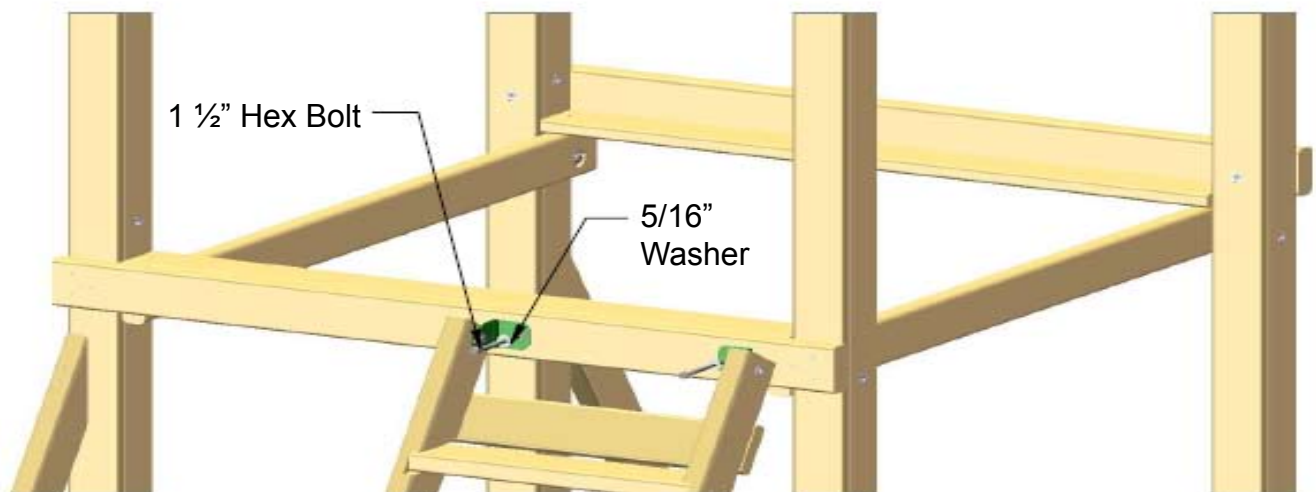
5: Install two 1 1/2" x 1 1/2" 90 degree Brackets using 5/16 x 1-1/2" bolts and 5/16" washers.

6: Install the 5/4 x 4 x 18 1/2" Ladder Back above the opening of the top channels with one 2" wood screw per side.



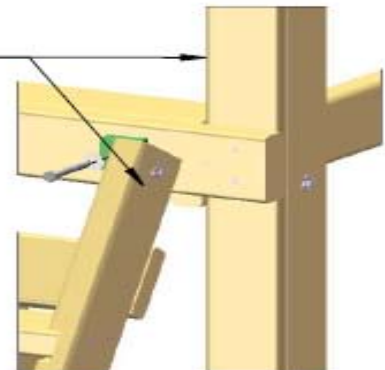
## Step 12: Attaching The Ladder

- 1: The Ladder attaches to the right front side, flush to the inside edge of the Corner Post.
- 2: Make sure the Ladder is level and mark the position of the 90 degree Bracket holes on the 2 x 4.
- 3: Drill 3/8" holes where marked.
- 4: Insert T-nuts in the back of the holes.
- 5: Attach the 90 degree Brackets to the fort with 1-1/2" hex bolts with 5/16" washers.



### Front Of Fort

Outside edge of ladder is flush to inside edge of the corner post

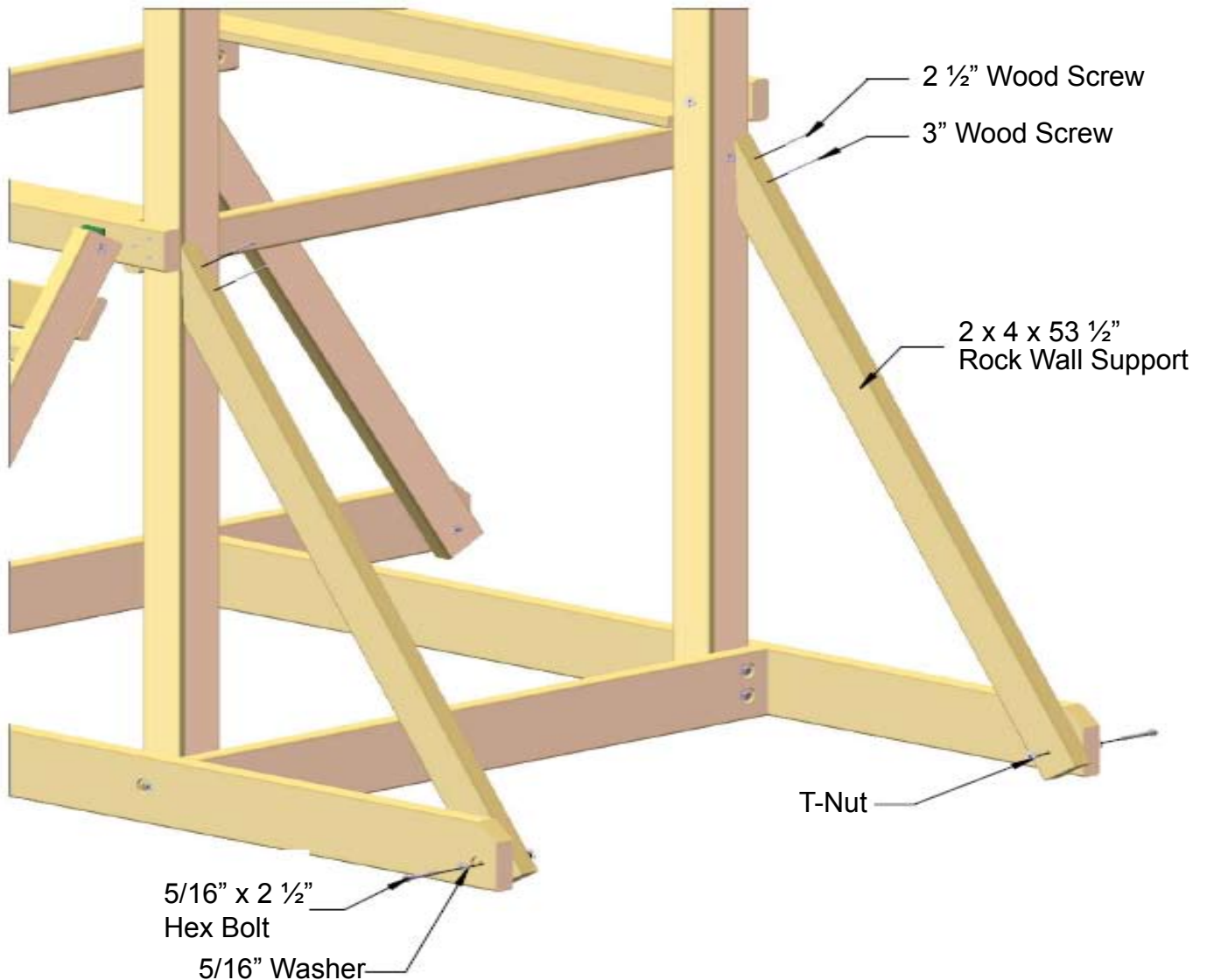


## Step 13: Attaching the Rock Wall Supports

1: Lay the 2 x 4 x 53 1/2" Rock Wall Supports on a flat surface with the angled ends orientated the way they will be installed onto the fort. Place a T-nut in the pre-drilled hole on each end and secure with a hammer.

2: The 2 x 4 x 53 1/2" Rock Wall Supports (with angled ends) attach to the holes on the ends of the extended sandbox boards on the inside with 2 1/2" hex bolts and 5/16" washers. The angled ends should rest flush against the corner posts.

3: Ensure that the two Rock Wall Supports are attached properly to the fort before securing them to the Corner Posts. Use a 2 1/2" wood screw at the top of the brace 2-1/2" below the edge, then use a 3" wood screw 1" below the 2-1/2" wood screw.



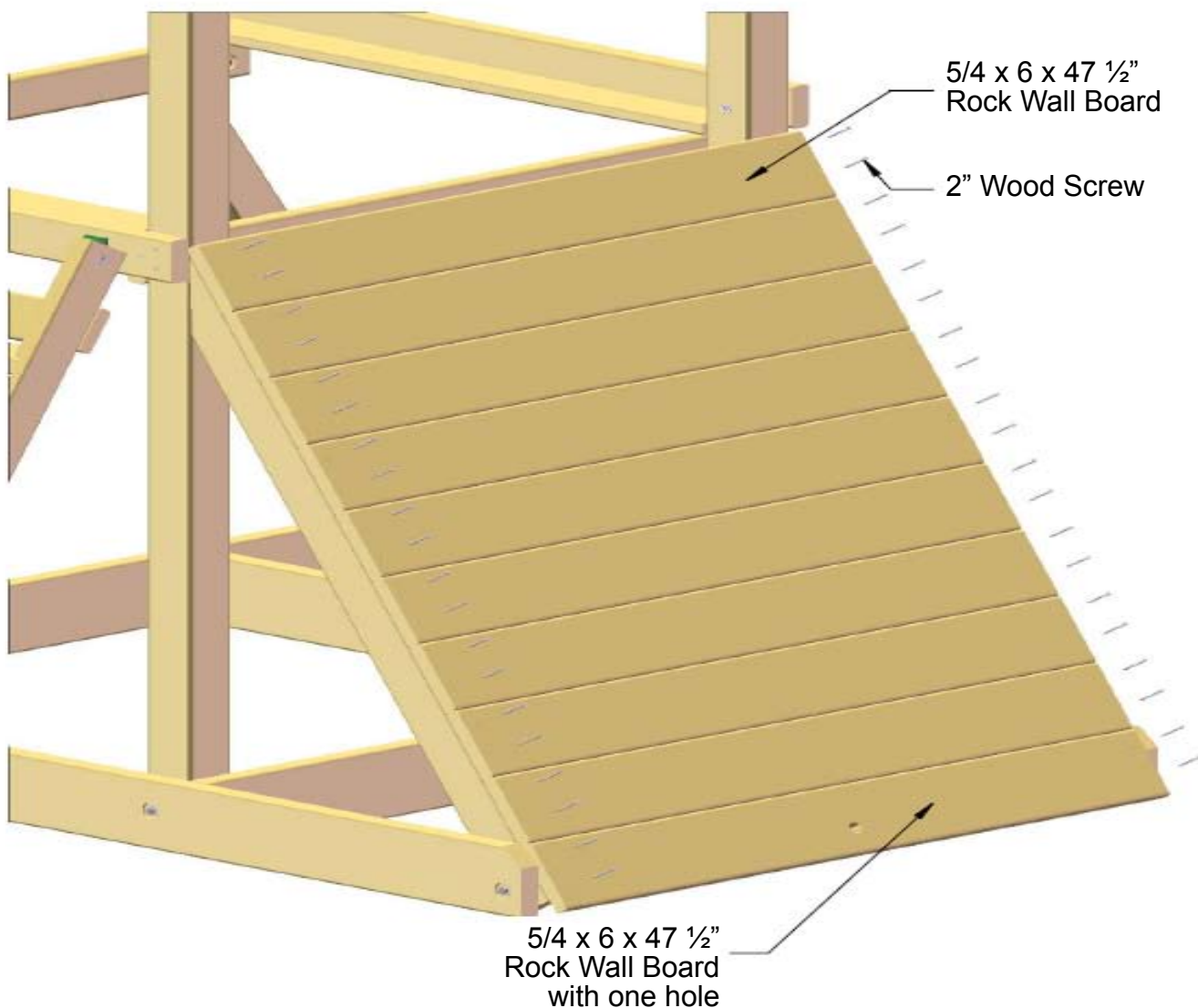


## Step 14: Attaching the Rock Wall Boards

1: Begin with the upper most 5/4 x 6 x 47-1/2" Rock Wall Board and secure to the Rock Wall Support with two 2" wood screws per side. The rounded edge of the Rock Wall Board should be against the Corner Posts before attaching.

2: Continue mounting the remaining Rock Wall Boards to the Rock Wall Supports with 2" wood screws. There should be no gaps between the Rock Wall Boards.

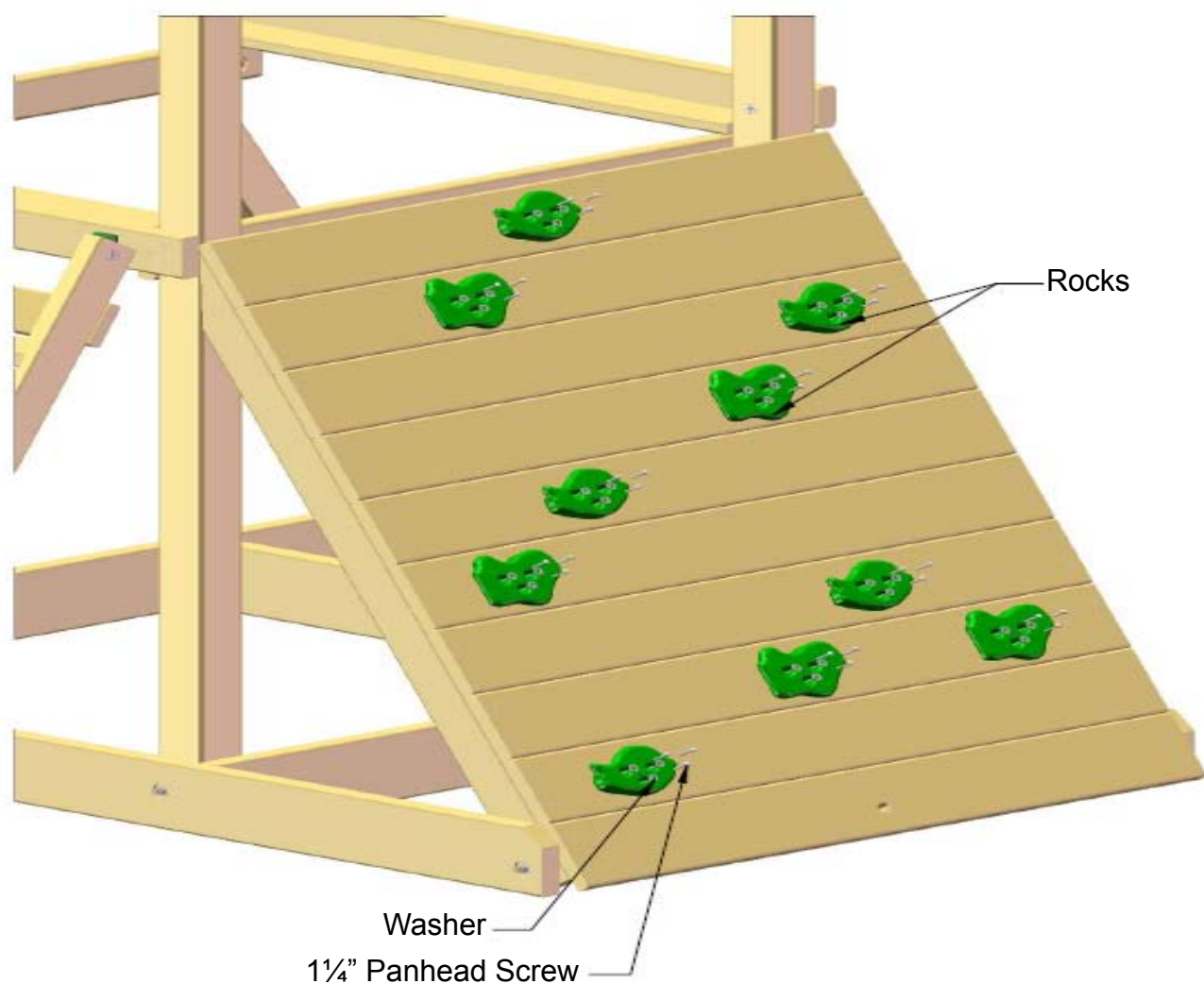
3: The bottom Rock Wall Board with one hole will mount at the bottom with the hole towards the bottom. This board will fasten with 2" wood screws as well.



## Step 15: Attaching the Rocks

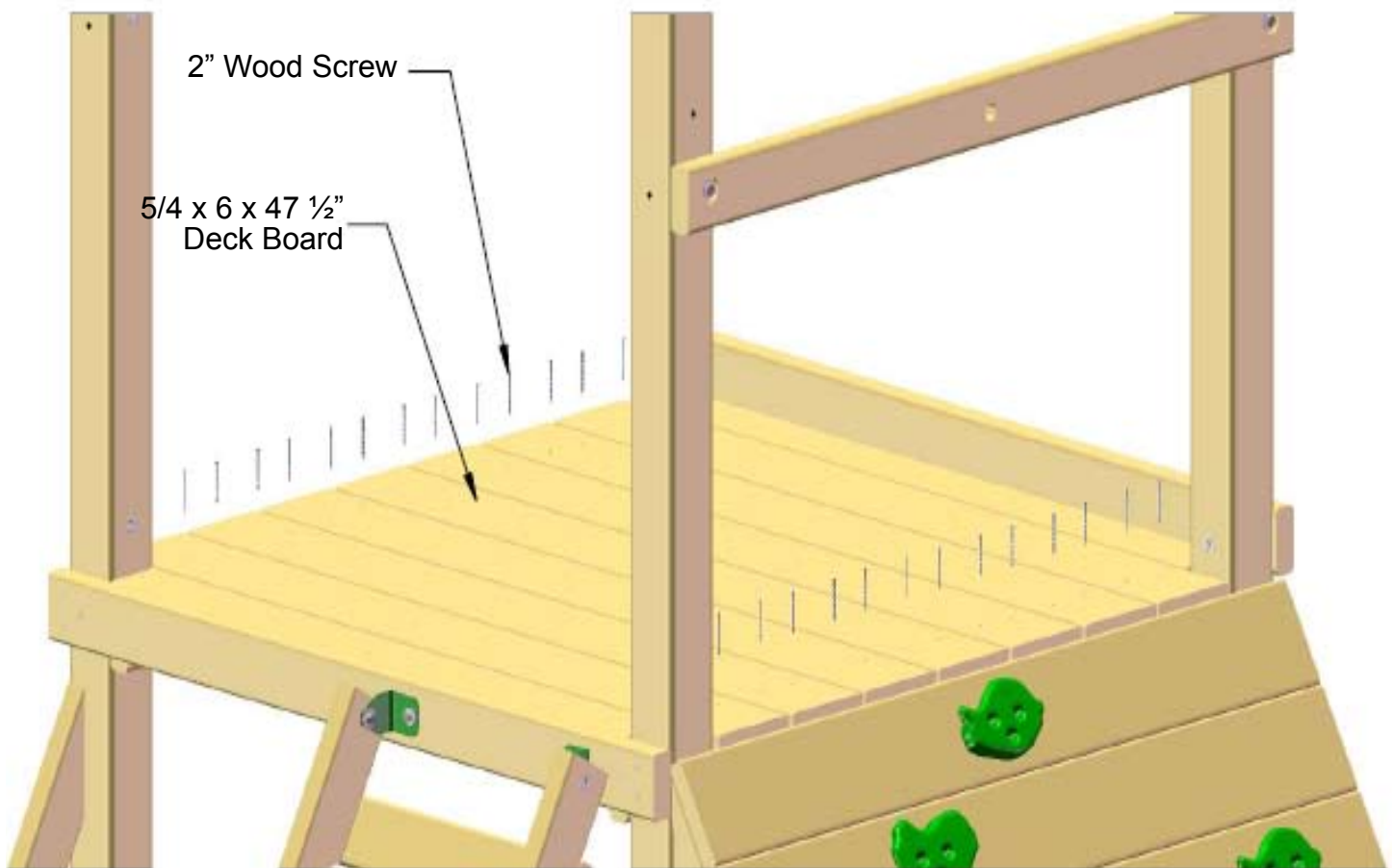
1: The Rocks should follow the general staggered layout shown below. However, a different configuration can be used.

2: The Rocks included with your play set may vary, in any case, the 1 1/4" pan-head screws with washers will be used to attach the rocks.



## Step 16: Attaching The Deck Boards

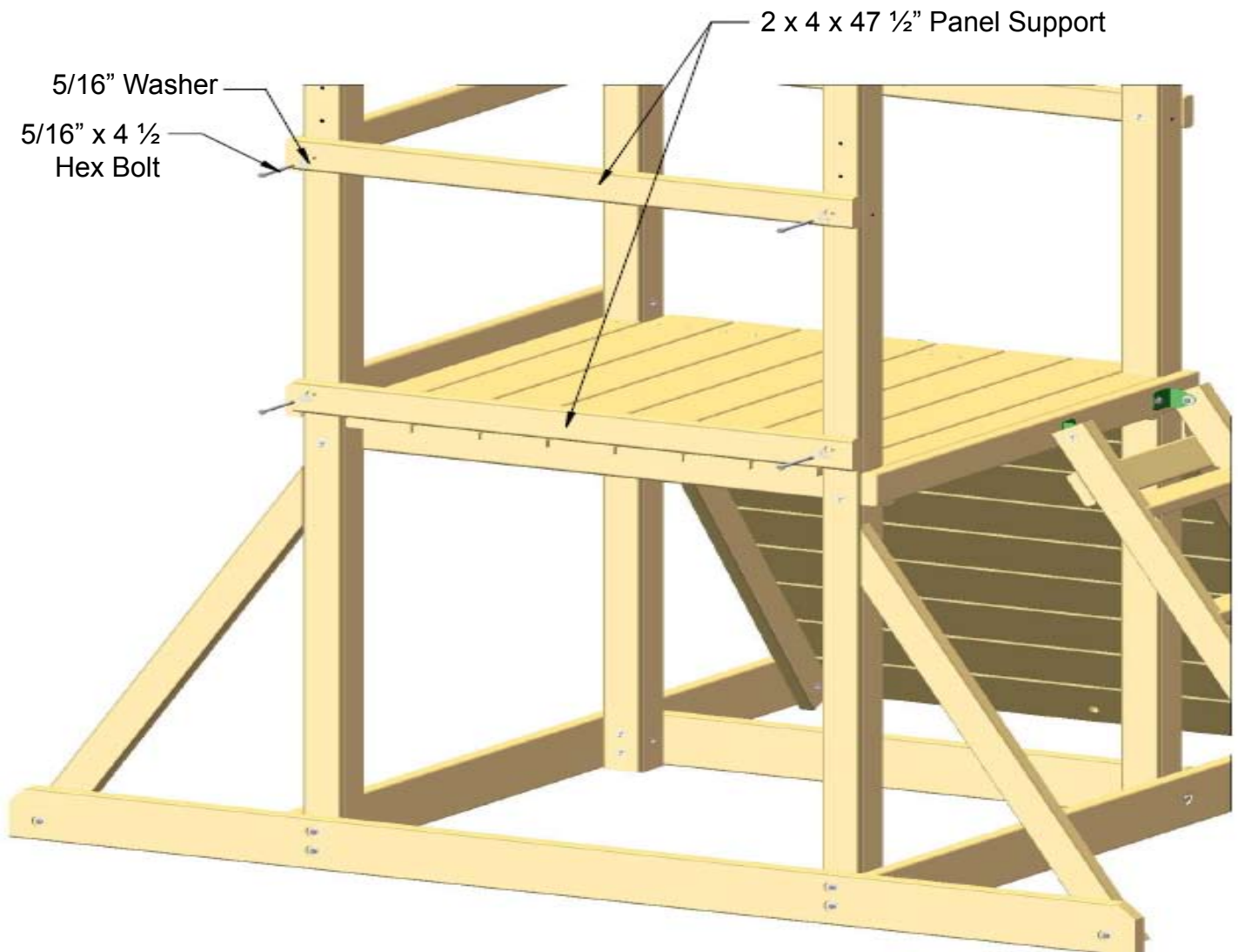
- 1: Seven 5/4 x 6 x 47-1/2" Deck Boards will lay across the Deck Supports, flush to the top Rock Wall Board.
- 2: Space the Deck Boards evenly across the supports.
- 3: Secure the Deck Boards with four 2" wood screws, two per side.



## Step 17: Panel Supports

1: The bottom 2 x 4 x 47-1/2" Panel Support board should have the holes offset upward. Use 5/16" x 4-1/2" hex bolts and 5/16" washers to secure the Panel Support board to the Corner Posts.

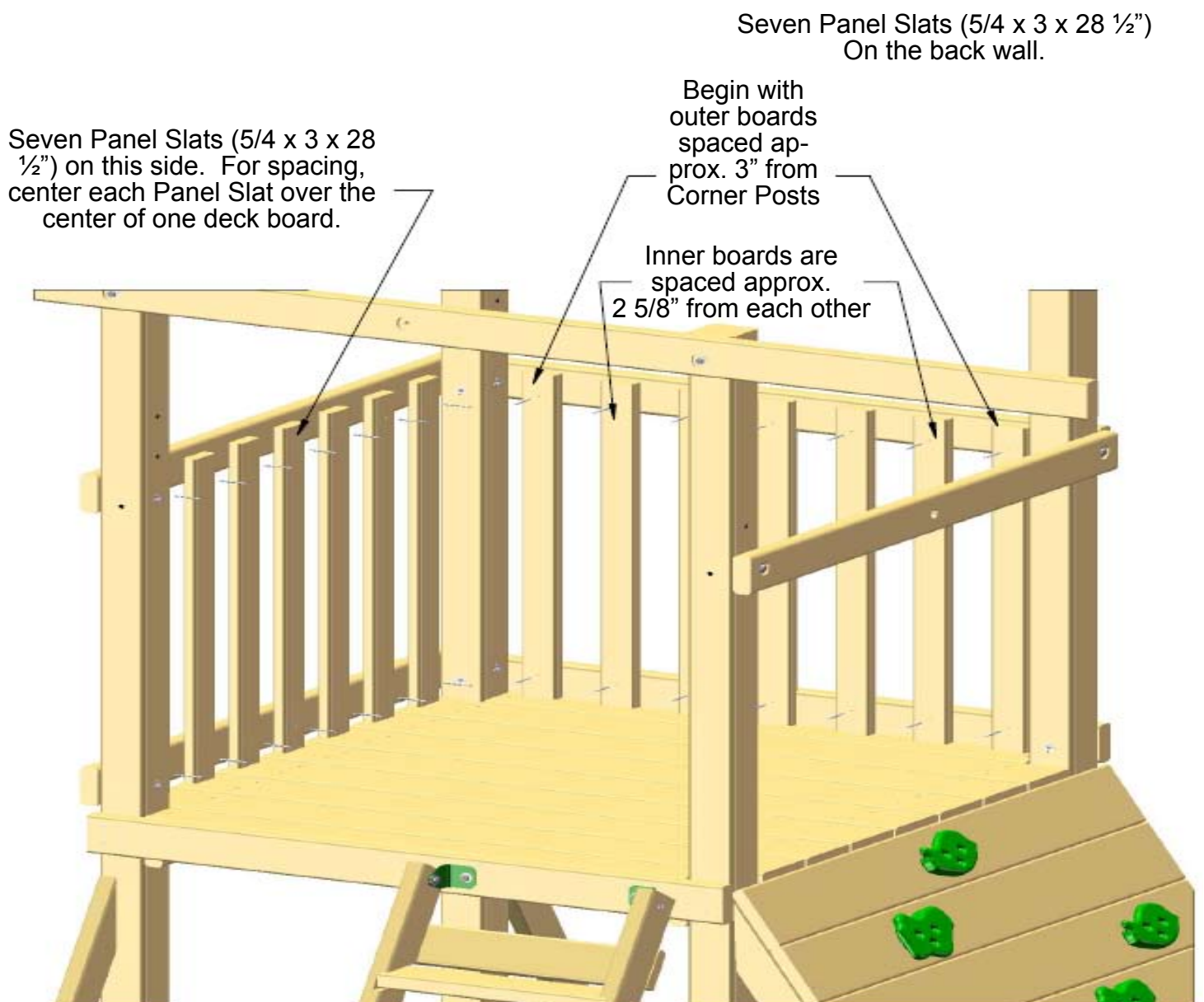
2: The top 2 x 4 x 47-1/2" Panel Support board should have the holes offset down. Use 5/16" x 4-1/2" hex bolts and 5/16" washers to secure the Panel Support board to the Corner Posts.



Swing Beam side of Fort

## Step 18: Panel/Wall slats

1. Begin on the back wall of the fort with two Panel Slats ( $5/4 \times 3 \times 28 \frac{1}{2}$ "). They are spaced approximately 3" from the Corner Posts.
2. The innermost Panel Slats of the back wall are then spaced  $2 \frac{5}{8}$ " from each other for a total of seven Panel Slats on the back wall.
3. Each Panel Slat will receive two 2" wood screws.
4. The left side of the fort will have seven Panel Slats each centered over the center of one Deck Boards.
5. Again each Panel Slat will receive two 2" wood screws.



## Step 19: Swing Beam Support and Trapeze Arm

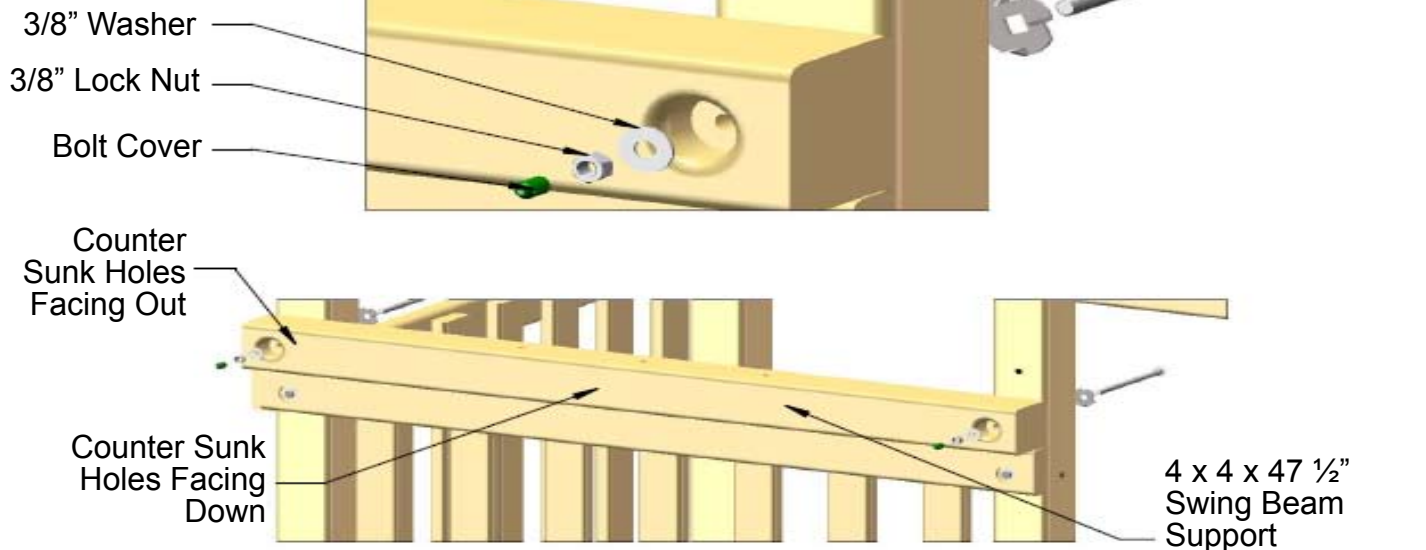
1. The Swing Beam Support will be mounted to the left side of the fort. The 4 x 4 x 47-1/2" Swing Beam Support has counter-sunk holes in the center, and on the ends. Install the Swing Beam Support so that the counter-sunk holes on each end of the beam face out, and the counter-sunk holes at the center face down.

2: Fasten the Swing Beam Support to the Corner Posts using 3/8 x 6-1/2" carriage bolts with torque washers. Place the carriage bolt into the torque washer, then into the hole of the Corner Post and set with a hammer. Use 3/8" lock nuts and 3/8" washers to secure the Swing Beam Support from the outside. Place bolt covers over the exposed threads after securing.

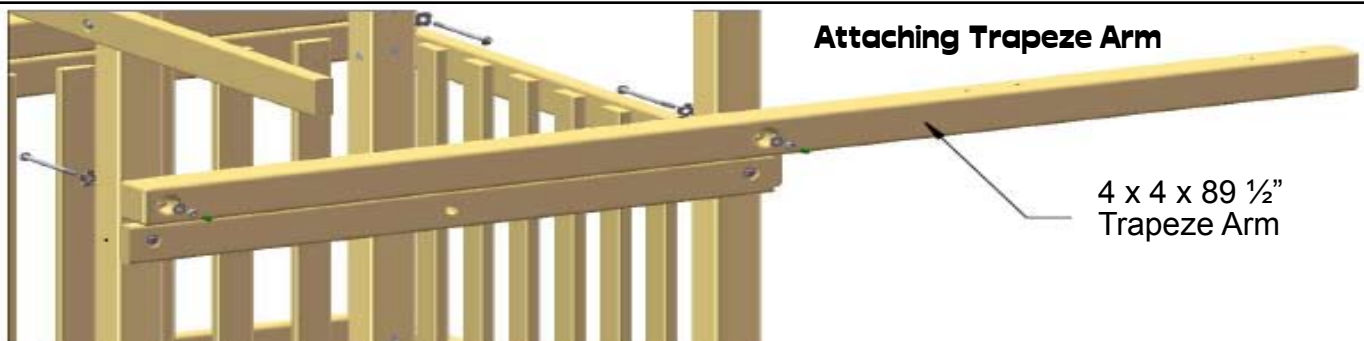
3: The Trapeze Arm will be mounted to the right side of the fort with the excess hanging off the rear of the fort. The 4 x 4 x 89-1/2" Trapeze Arm will attach to the unit in the same manner as the Swing Beam Support. The Trapeze Arm will mount on the opposite side of the fort that the Swing Beam Support was mounted on.

### Attaching Swing Beam

The hole above where the Swing Beam Support mounts is to be used only on uneven (uphill) ground. If installing on a relatively level surface, this hole will not be used.

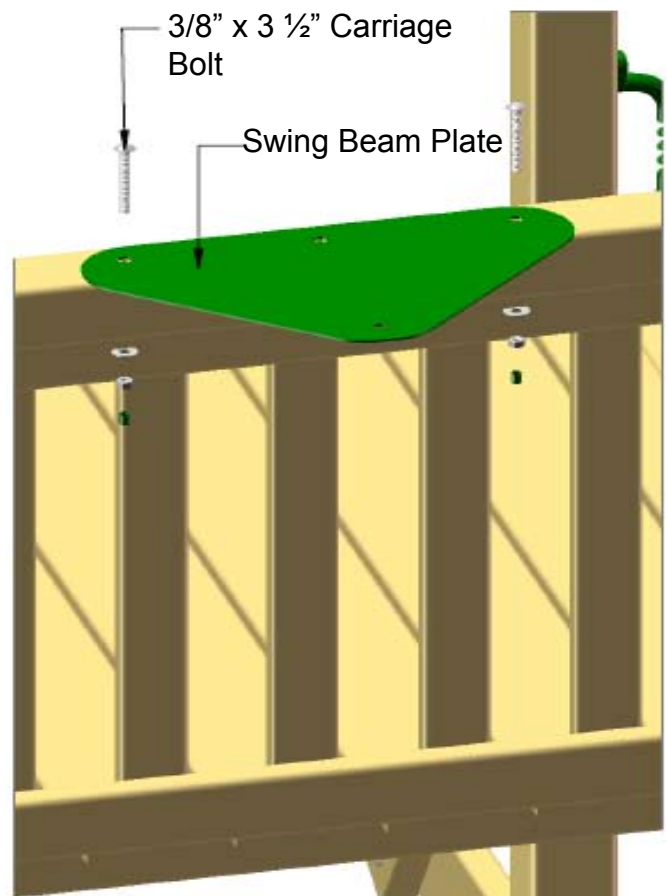
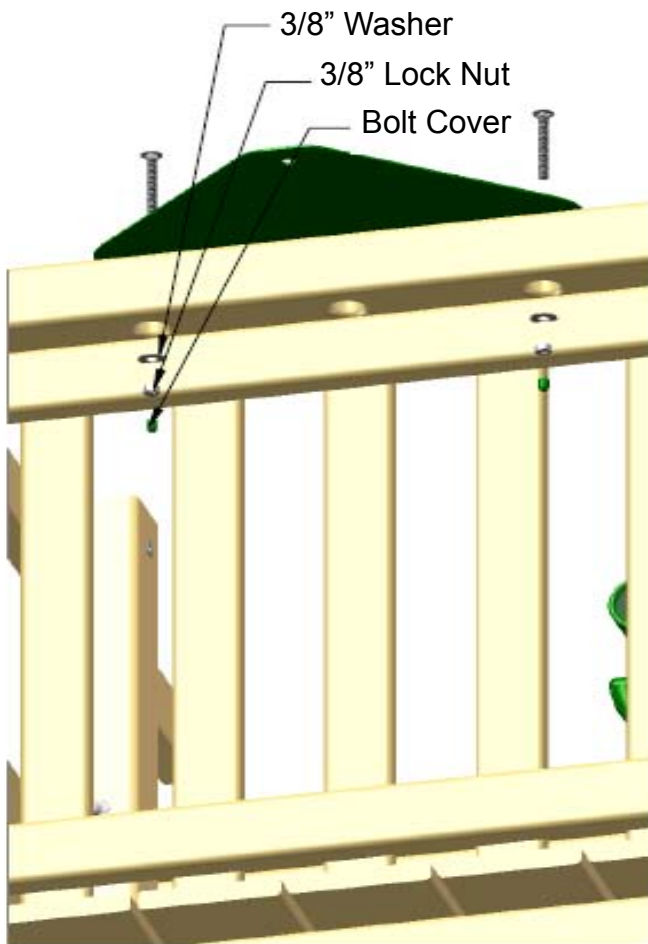


### Attaching Trapeze Arm



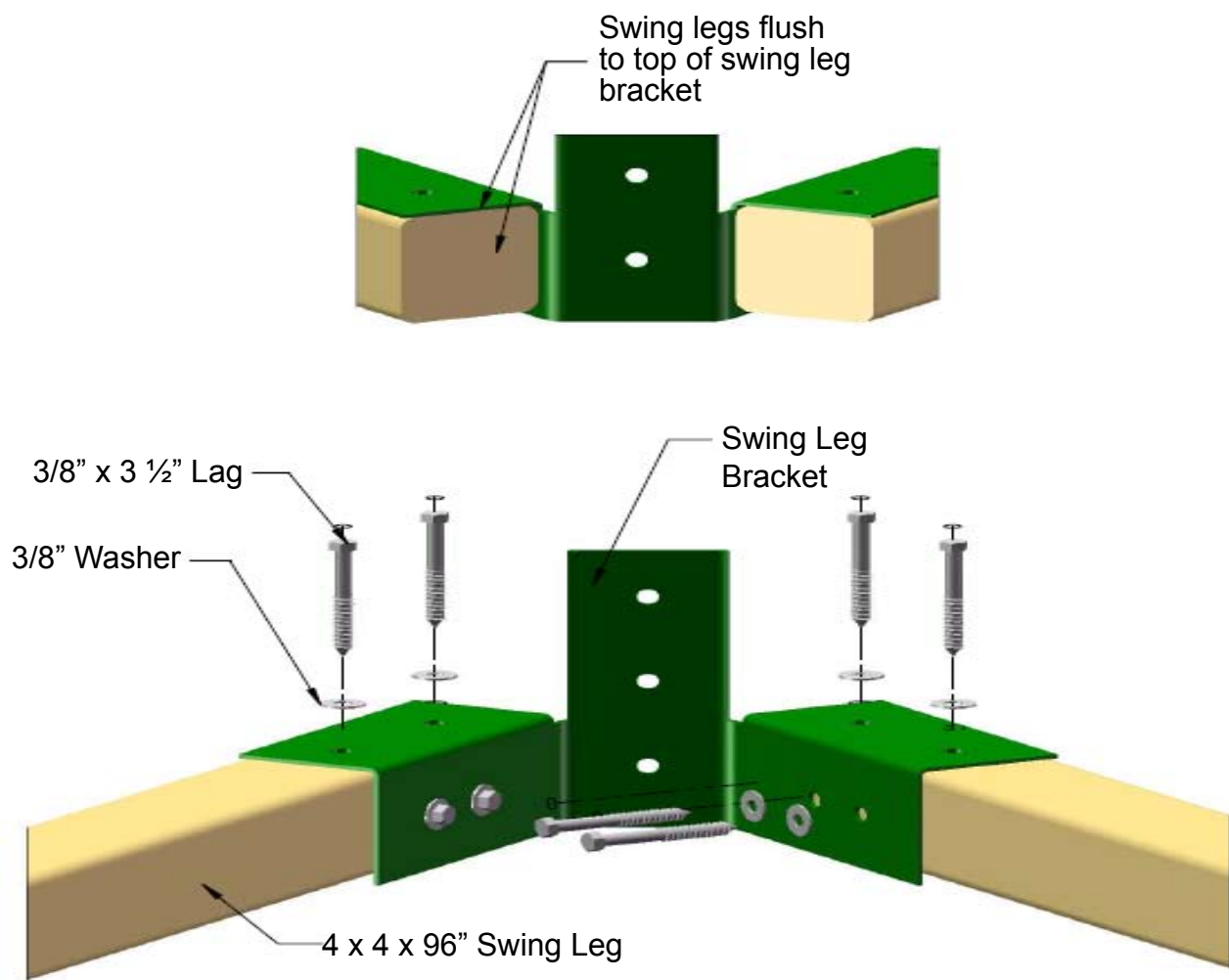
## Step 20: Swing Beam Plate

- 1: Place the Swing Beam Plate on top of the Swing Beam Support, lining up the pilot holes.
- 2: Fasten the Swing Beam Plate to the Swing Beam Support on the outside holes using 3 1/2" carriage bolts, and 3/8" washers and 3/8" lock nuts on the bottom. Place green bolt covers over exposed threads after securing.
- 3: Leave the middle hole empty, it will be used later.



## Step 21: Attach Swing Legs To Swing Leg Bracket

- 1: Place the 4 x 4 x 96" Swing Legs flush to the top of the Swing Leg Bracket.
- 2: Fasten the Swing Legs to the Swing Leg Bracket with 3/8" x 3-1/2" lag screws and 3/8" washers.

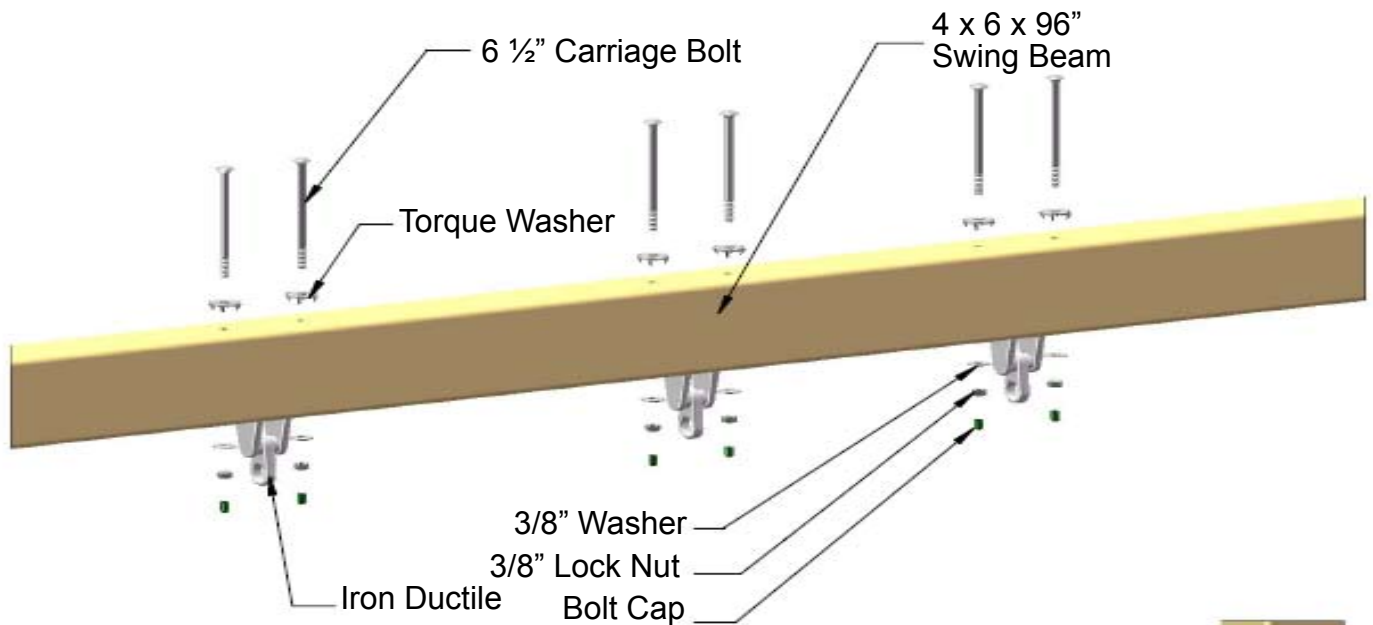




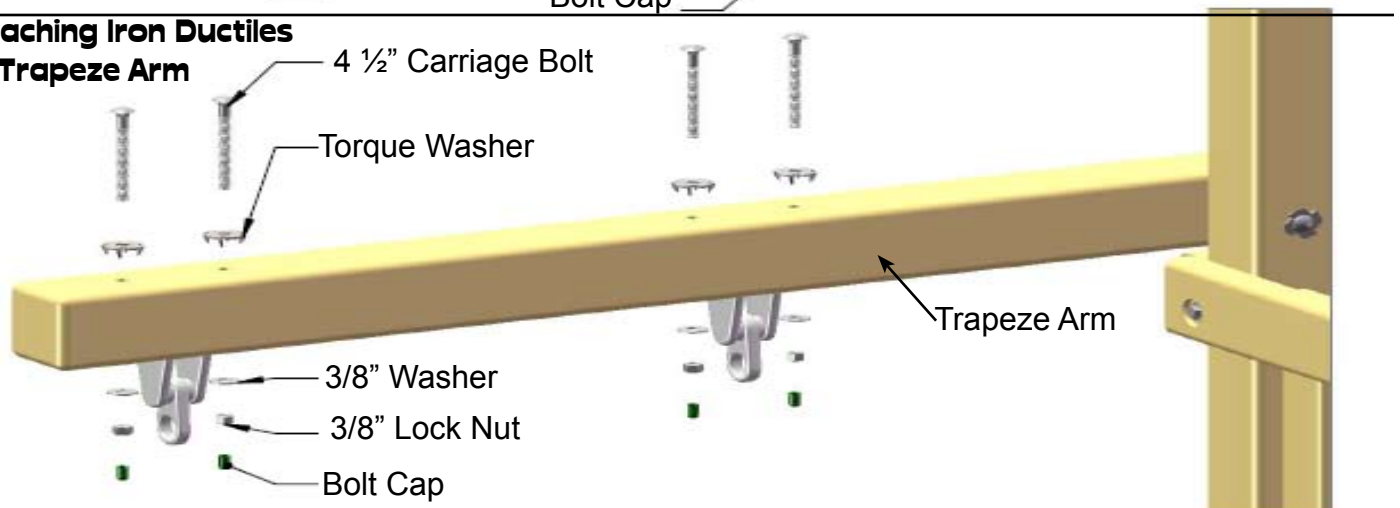
## Step 22: Iron Ductiles

- 1: Line up the holes of the Iron Ductiles with the holes in the Swing Beam.
- 2: Fasten the Iron Ductiles to the Swing Beam using 3/8" x 6 1/2" carriage bolts with torque washers on top of the Swing Beam, and 3/8" lock nuts and 3/8" washers on the bottom. Place bolt caps over exposed threads after securing.
- 3: Fasten the Iron Ductiles to the Trapeze Arm in the same manner that you fastened them to the Swing Beam, using 4 1/2" carriage bolts with torque washers on top of the Trapeze Arm, and 3/8" lock nuts and 3/8" washers on the bottom. Place bolt caps over any exposed threads after securing.

### Attaching Iron Ductiles to Swing Beam



### Attaching Iron Ductiles to Trapeze Arm



## Step 23: Rest Swing Beam on Fort

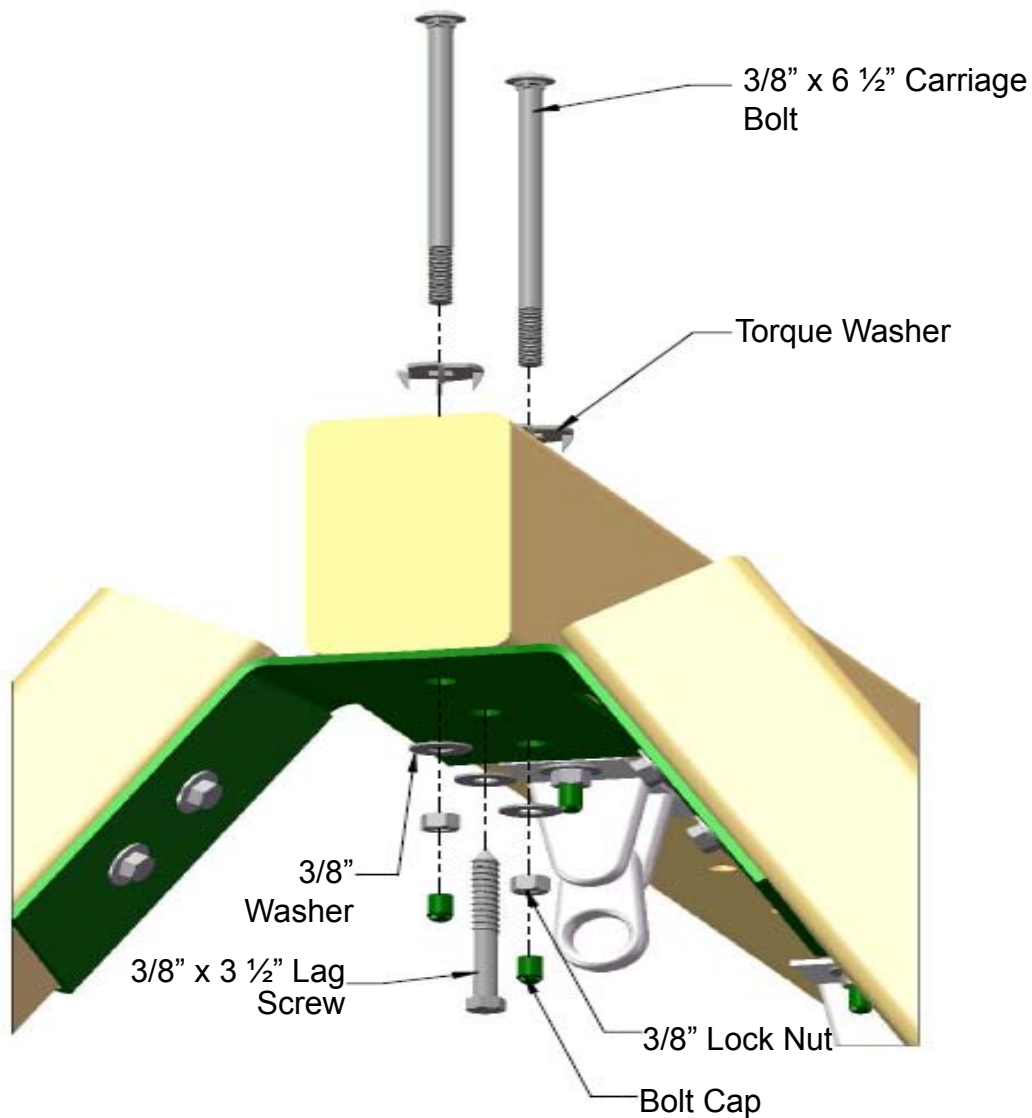
\*Two people are required for this step.

1. Sit the Swing Beam Legs upright.
2. Line up the pre-drilled holes and rest the Swing Beam on top of the fort and Swing Legs. Make sure the Iron Ductiles are facing down.



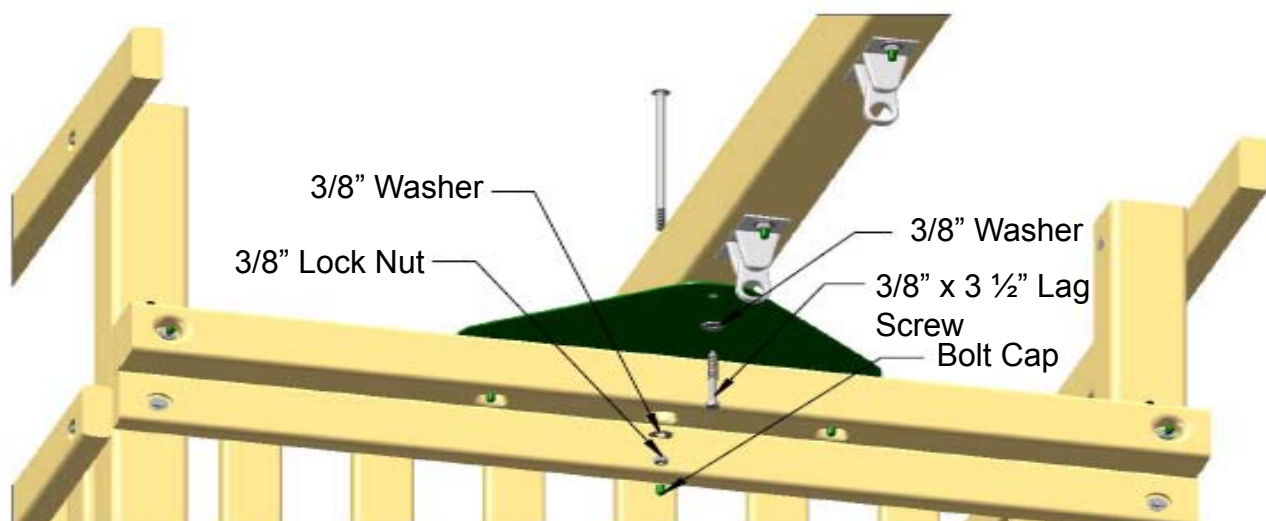
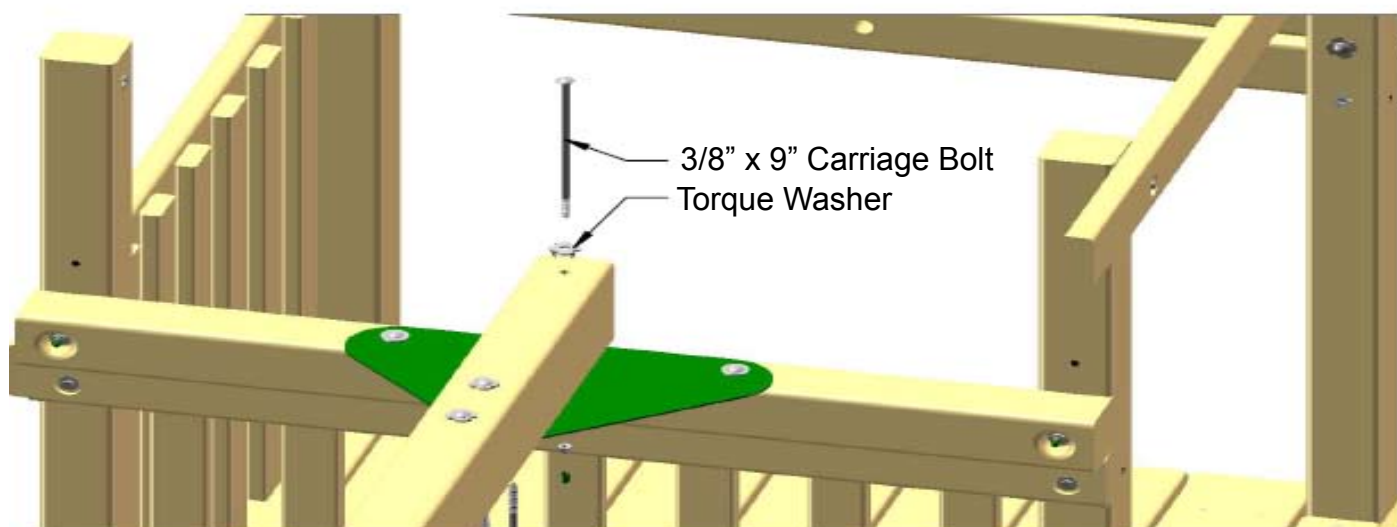
## Step 24: Swing Beam to Swing Beam Legs

- 1: Fasten the Swing Beam to the Swing Beam Leg Bracket using 3/8" x 6-1/2" carriage bolts with torque washers on top of the Swing Beam, and 3/8" lock nuts with 3/8" washers underneath.
- 2: Use a 3/8 x 3-1/2" lag screw and 3/8" washer in the middle hole of the Swing Leg Bracket.
- 3: Place green bolt caps over exposed threads after securing.



## Step 25: Swing Beam to Fort

- 1: Have one person walk the Swing Beam out to the end of the fort from inside the fort while the other person carries it by the legs.
- 2: Line up the pilot holes at the end of the Swing Beam with the middle holes on the Swing Beam Plate.
- 3: Fasten the Swing Beam to the Swing Beam Plate and Swing Beam Support using a 3/8" x 9" carriage bolt with a torque washer on top and a 3/8" lock nut and 3/8" washer on the bottom. Place green bolt caps over exposed threads after securing.
- 4: Fasten the Swing Beam to the Swing Beam Plate from underneath with a 3/8" x 3-1/2" lag screw and 3/8" washer.



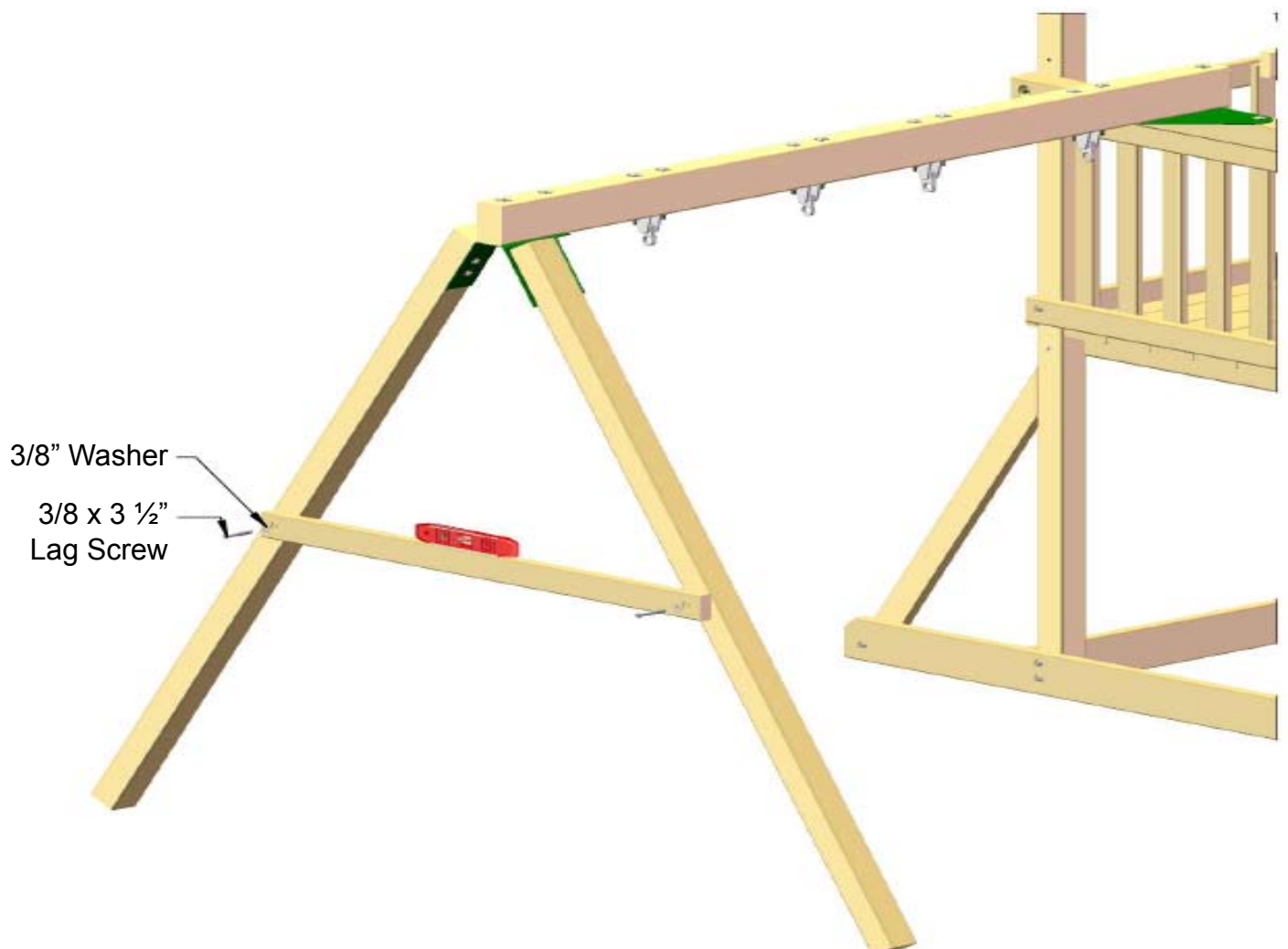
## STEP 26: Level the Swing Beam

1: Place a level on top of the Swing Beam and adjust the legs in or out as needed to make the Swing Beam level.



## Step 27: Swing Leg Cross-Member

- 1: Position the 2 x 4 x 58" Swing Leg Cross-member against the Swing Legs.
- 2: Level the Cross-member, and secure to the Swing Legs with 3/8" x 3-1/2" lag screws and 3/8" washers.

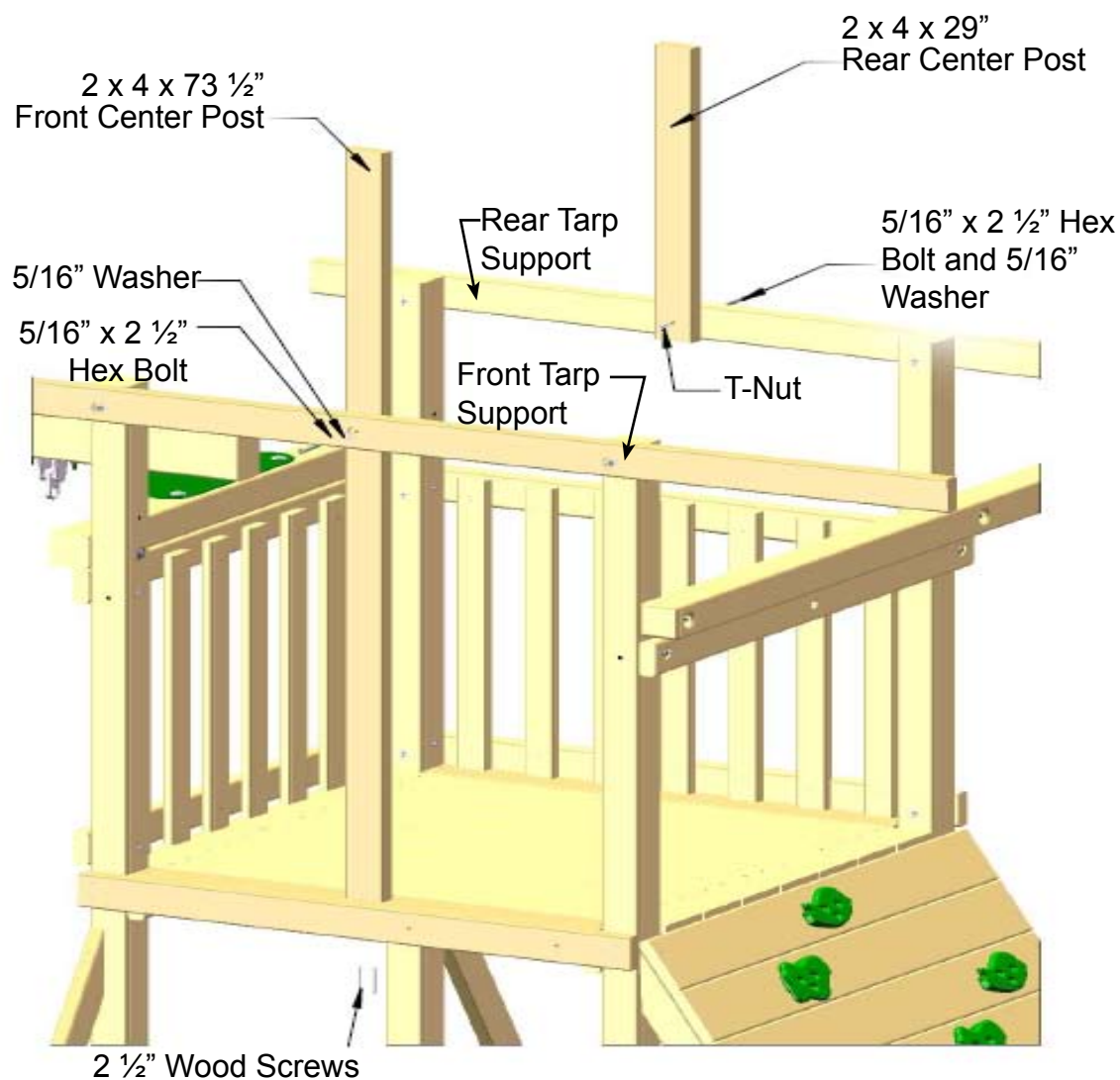


## Step 28: Attaching Center Posts

1: The 2 x 4 x 73-1/2" Front Center Post and 2 x 4 x 29" Rear Center Post will attach to the Tarp Support Boards.

2: The Front Center Post will secure at the bottom to the Deck Spacer, from underneath, with two 2-1/2" wood screws, then to the Front Tarp Support with a 5/16" x 2-1/2" hex bolt, 5/16" washer, and a t-nut.

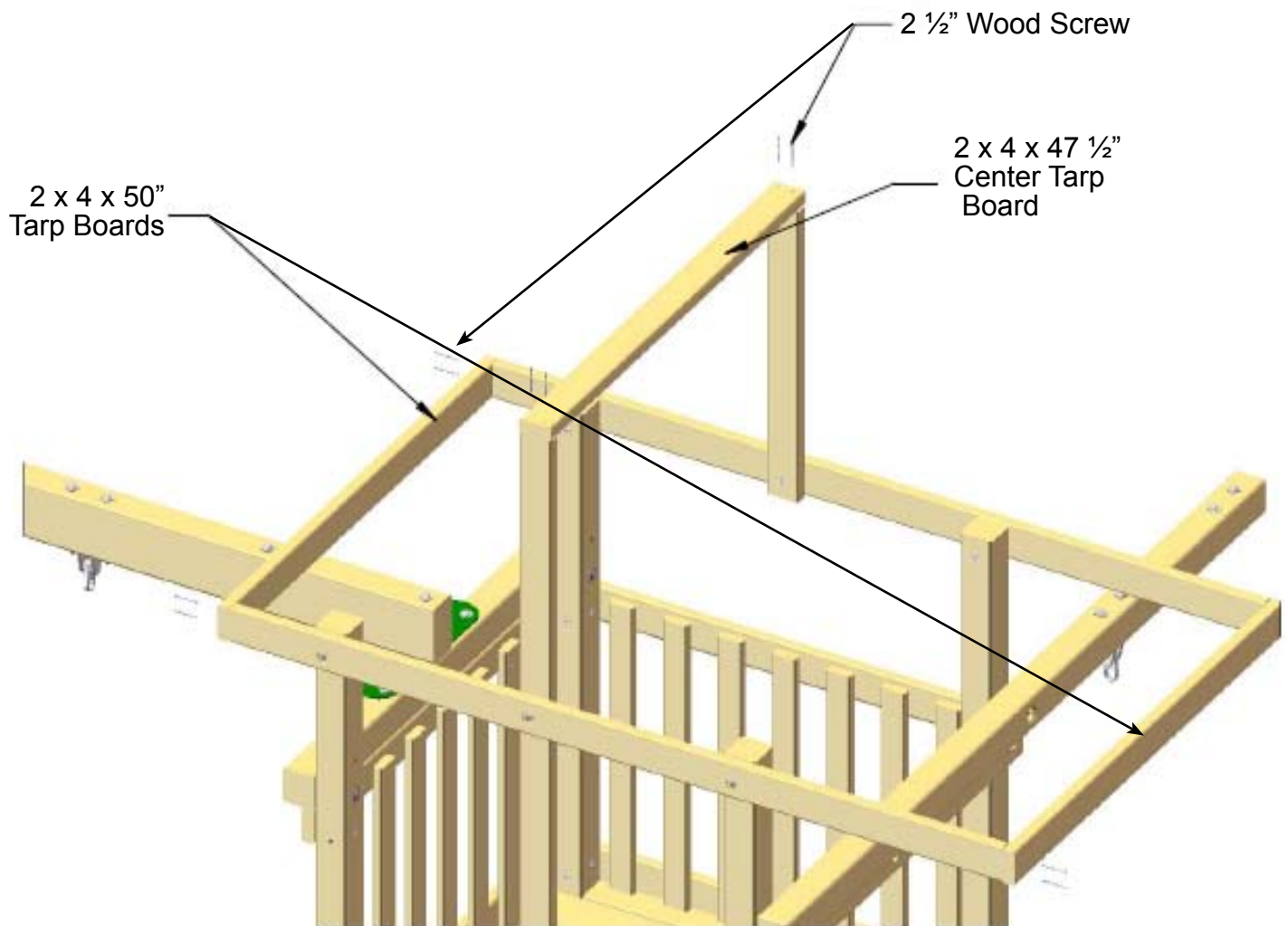
3: The Rear Center Post will secure to the Rear Tarp Support with a 5/16" x 2-1/2" hex bolt, 5/16" washer, and a t-nut.



## Step 29: Tarp Boards

1: The 2 x 4 x 47-1/2" Center Tarp Board will secure on top of the Center Posts with two 2-1/2" wood screws per side.

2: The two 2 x 4 x 50" Tarp Boards will secure on the ends of the Tarp Supports with two 2-1/2" wood screws per side.





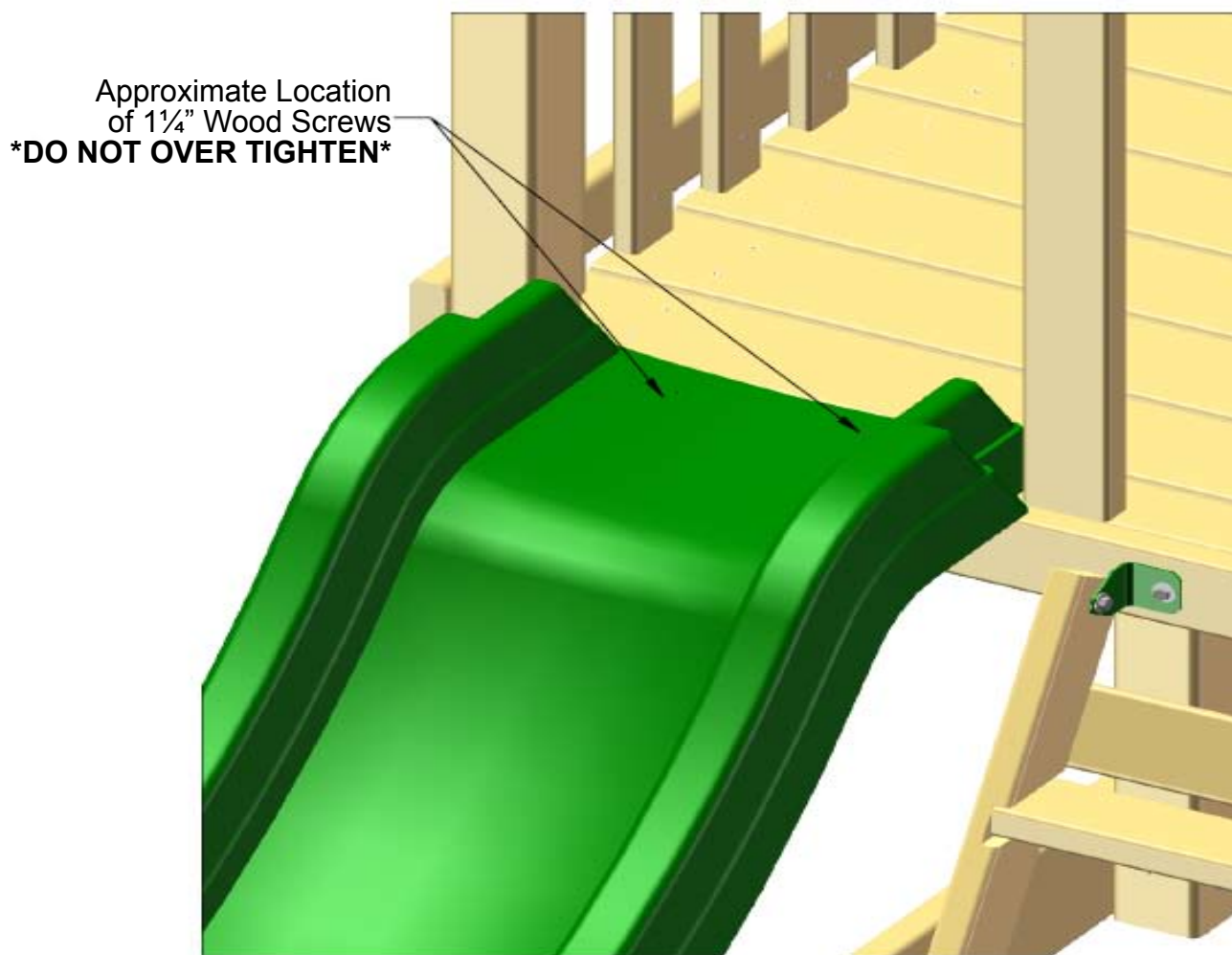
## Step 30: Slide

1: Lay Slide on deck with lip extending onto/over Deck Spacer.

2: Secure the Slide to the Deck Spacer with two 1 ¼" wood screws.

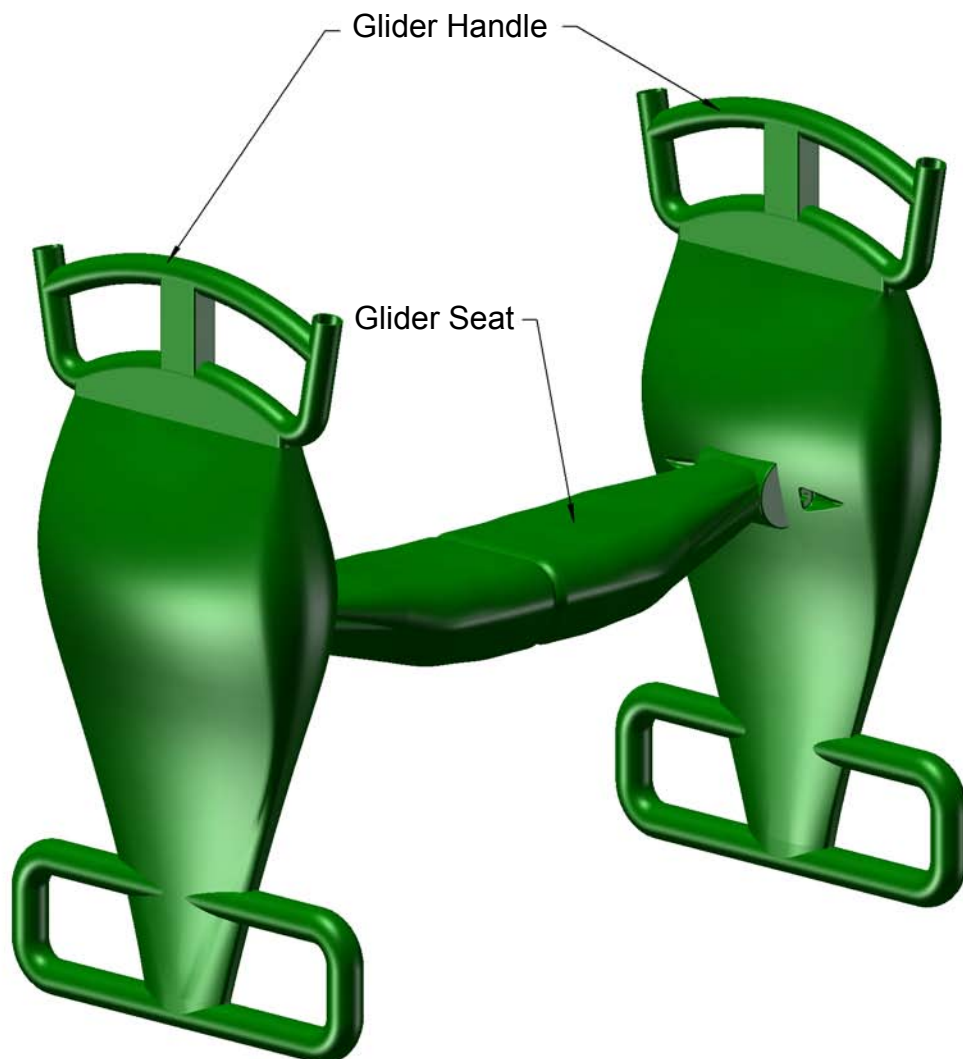
**\* DO NOT OVER TIGHTEN \***

**!!!WARNING!!!** - Once slide is installed **DO NOT** lift the end of the slide up or you may break the slide at the attachment screws. Use caution when mowing your lawn near your playset so that your mower **DOES NOT** hit your slide. Any damage resulting from either of the above actions is **NOT** covered by your warranty.



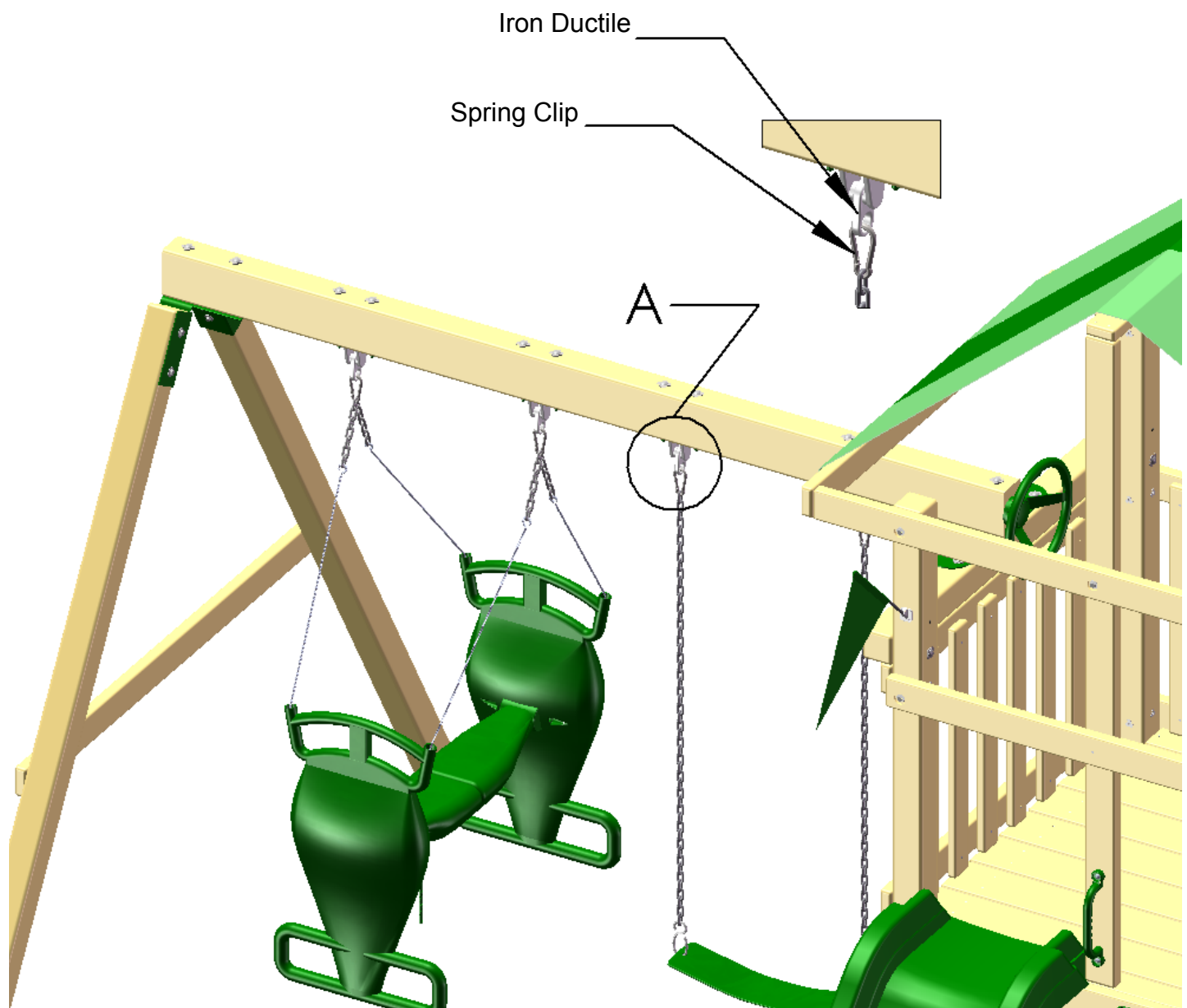
## Step 31: Glider Swing Assembly

- 1: Line up the holes of the seat with both end handle assemblies.
- 2: Make sure that the flat side of the seat is facing up.
- 3: Insert the provided bolts through the holes with a washer and secure it with a washer and nut.



## Step 32: Hanging the Swings

- 1: Clip each of the Spring Clips onto the Iron Ductile swing hangers, then clip onto the swing chains.
- 2: Use the Spring Clips to adjust the height of the swing by clipping on higher or lower links.
- 3: Count back the same number of links on the opposite side to ensure that the swing is level, and adjust to fit your needs.
- 4: Repeat this process with the Trapeze Bar (not shown).



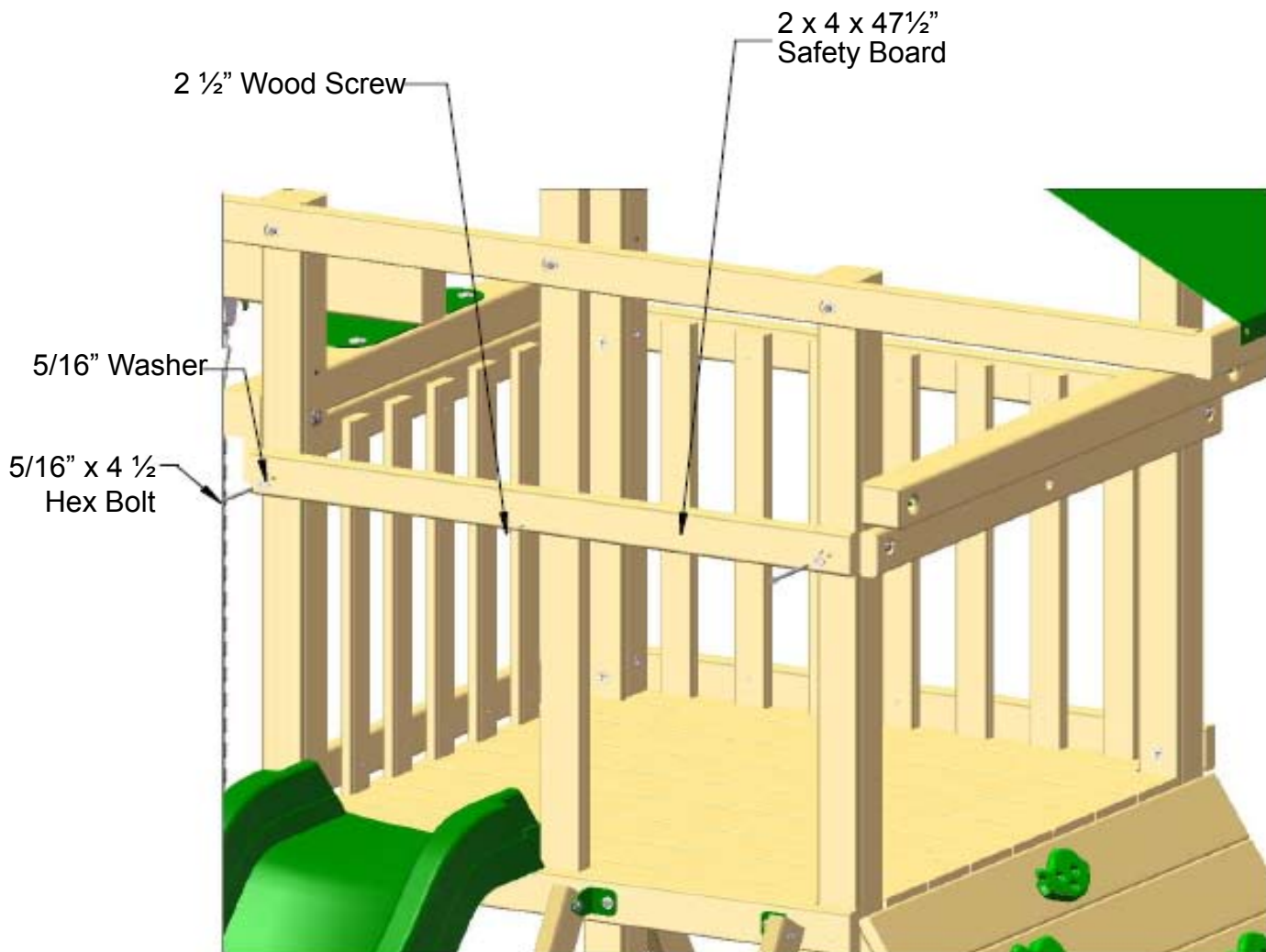
## Step 33: Tarp

- 1: Lay Tarp across Tarp Boards, make sure hem side is down.
- 2: Center Tarp on Tarp Boards and begin with the front right side corner. Place one #14 x 1-1/4" pan-head screw into the grommet.
- 3: Pull the Tarp tight and put a #14 x 1-1/4" pan-head screw in the front left side corner.
- 4: Now the next right side grommet will receive a screw, then the same grommet on the opposite side (left side).
- 5: Essentially, what you are doing is alternating from side to side, from the front of the fort to the back, to keep the tarp tight and wrinkle-free.



## Step 34: Safety Board

- 1: Place the 2 x 4 x 47-1/2" Safety Board across the front Corner Posts and Center Post.
- 2: Secure the Safety Board to the Corner Posts with 5/16" x 4-1/2" hex bolts and 5/16" washers.
- 3: Use a 2 1/2" wood screw to fasten the Safety Board to the Front Center Post.

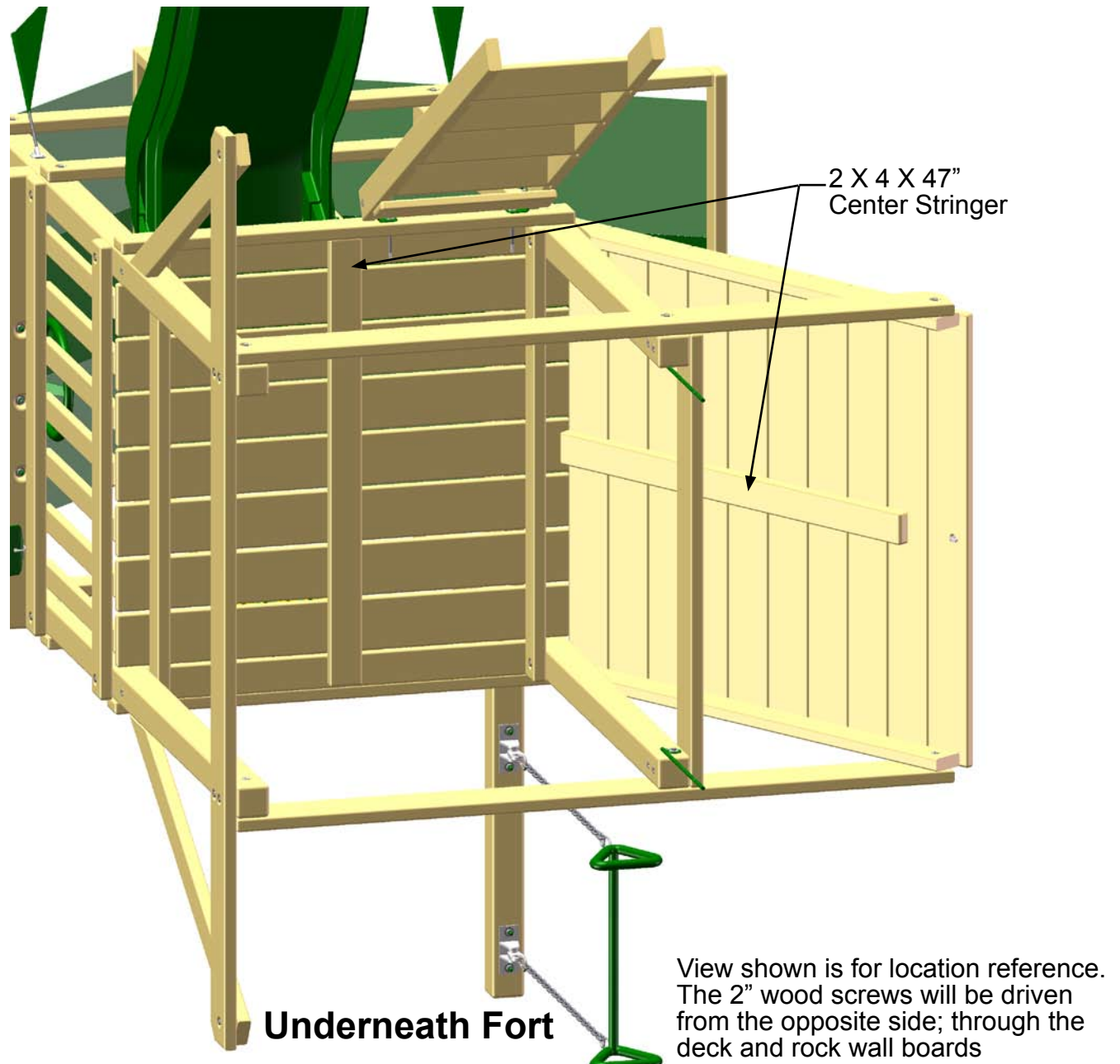


## Step 35: Center Stringers

1: Place the 2 x 4 x 47" Center Stringers underneath the Deck Boards and Rock Wall Boards.

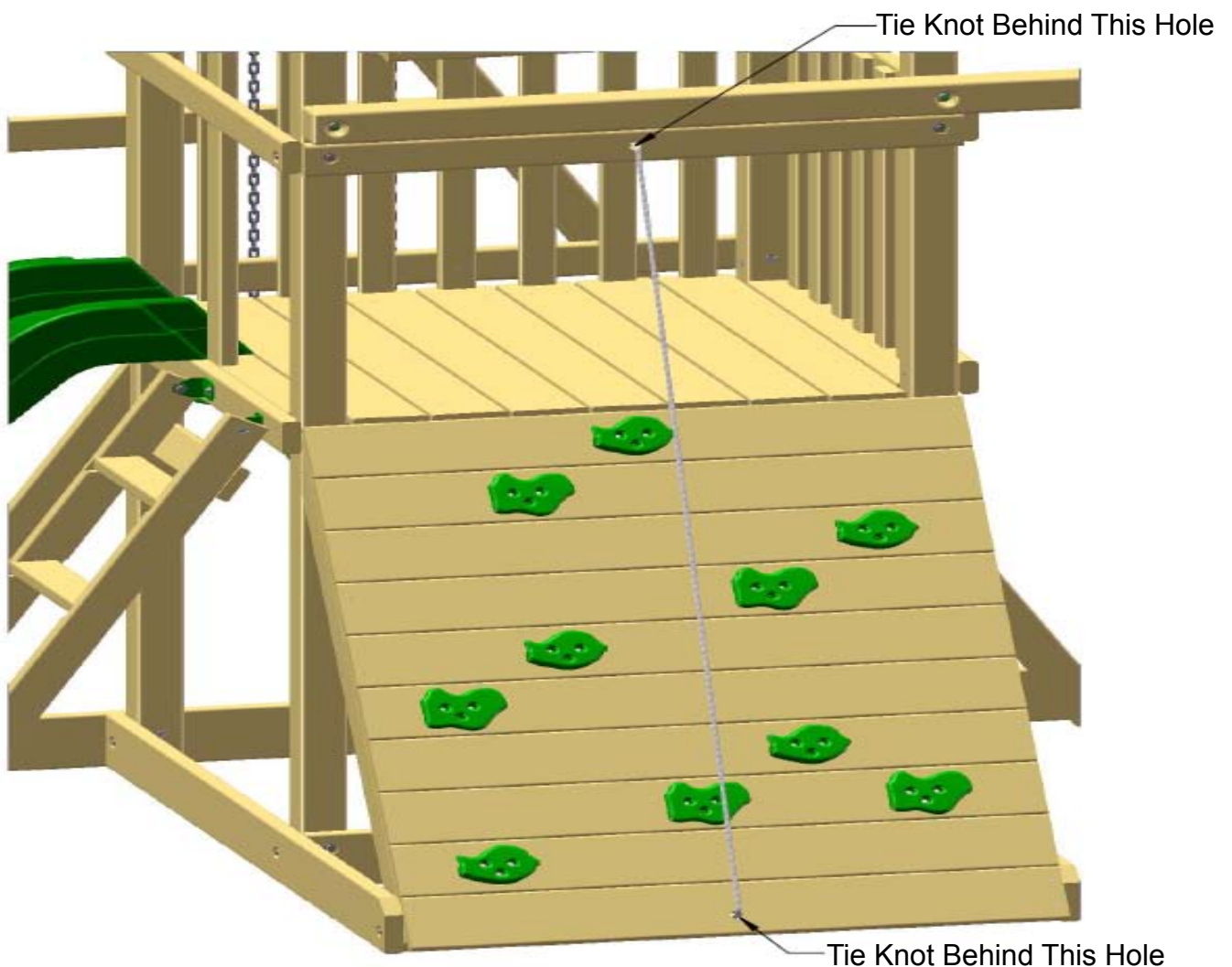
2: Fasten the Center Stringers to the Deck Boards and Rock Wall Boards from the outside with 2" wood screws, one screw per board.

Note: the Center Stringers will mount perpendicular to the direction of the Deck Boards and Rock Wall Boards. Deck Stringer is on center. Rock wall stringer will start at the top of the Rock Wall Boards, on center.



## Step 36: Climbing Rope

- 1: Thread one end of the 10' Climbing Rope through the hole above the rock wall. Tie a secure knot on the inside of the Top Panel Board.
- 2: Thread the other end of the Climbing Rope through the hole in the Bottom Rock Wall Board. Pull the rope tight and tie a secure knot behind the bottom rock wall board.



## Step 37: Flag Kits

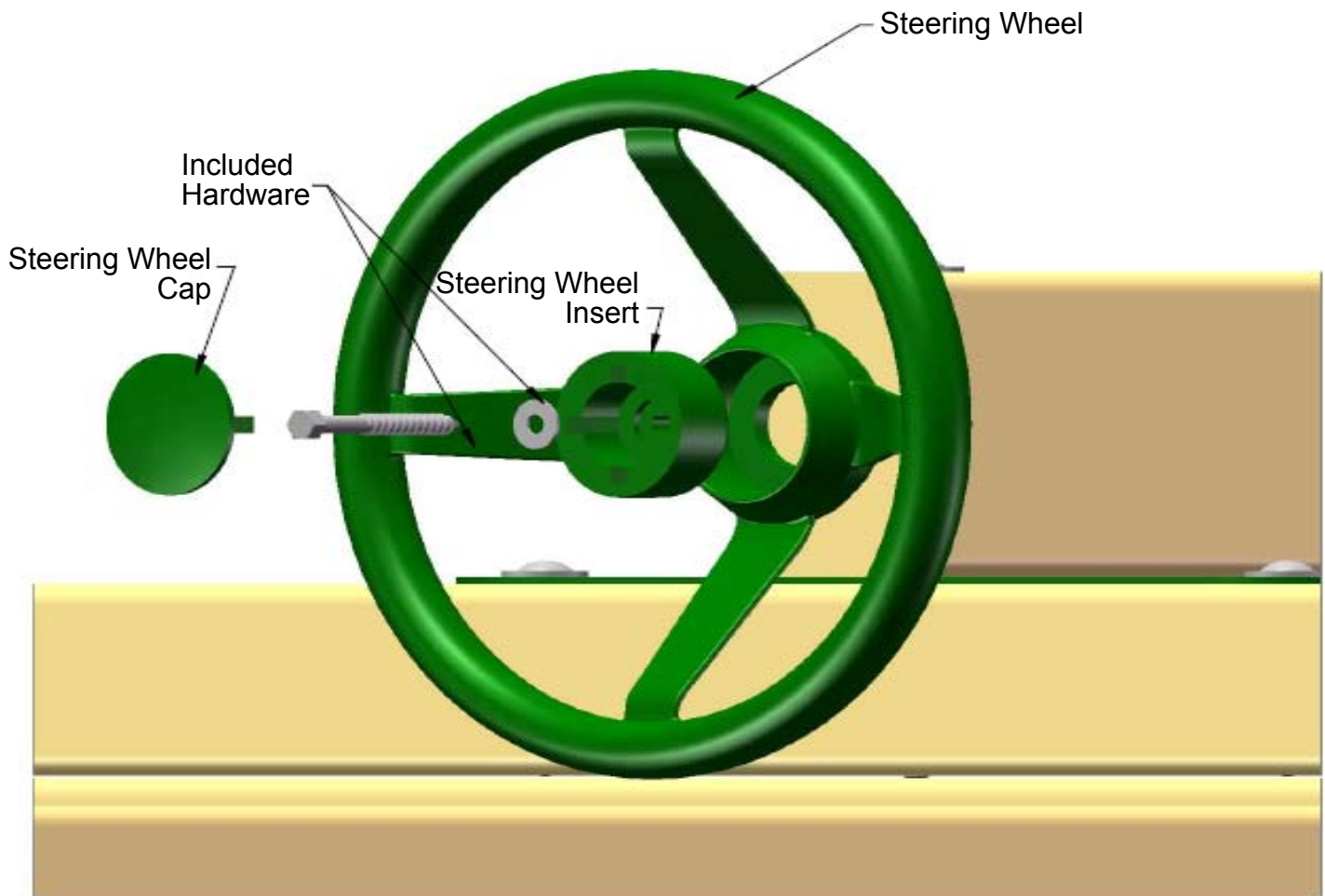
Install the Flag Kits on the unit with the hardware supplied with the Flags. The recommended area for installation is on the Corner Posts at the front of the unit.





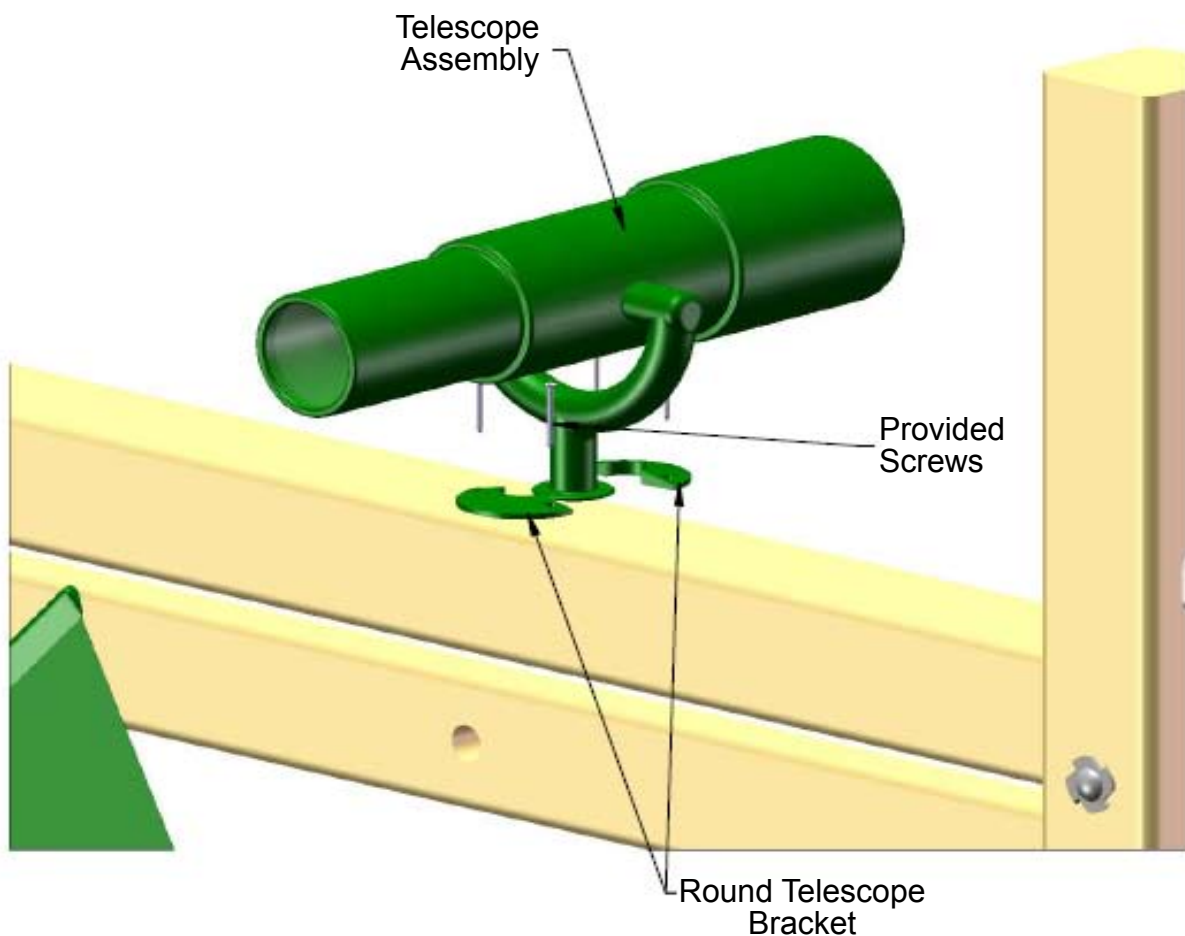
## Step 38: Steering Wheel

- 1: Place the Steering Wheel Insert inside the Steering Wheel.
- 2: Use the hardware included with the Steering Wheel to mount the Steering Wheel to the end of the Swing Beam. Do not over-tighten the lag screw into the Steering Wheel, or it will not turn.
- 3: Place the Steering Wheel Cap over the center of the Steering Wheel.



## STEP 39: Telescope

- 1: Place one of the Round Telescope Brackets on the Trapeze Arm, centered above the Rock Wall Opening, and fasten with the hardware provided with the Telescope.
- 2: Place the Telescope Assembly inside the opening of the bracket.
- 3: Place the other Round Telescope Bracket on the opposite side of the Round Telescope Bracket installed in step 1. Attach with hardware provided with the Telescope.

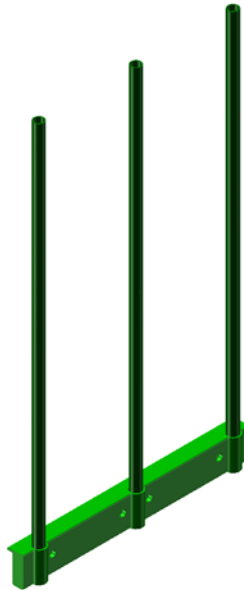


## STEP 40: TIC TAC TOE

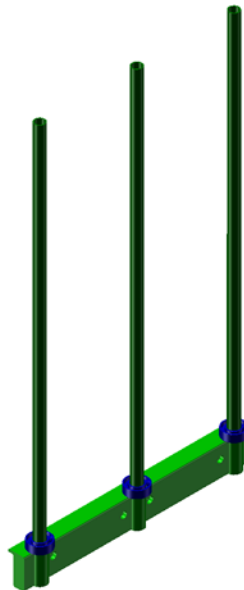
- 1: Locate the green Dowels and match them as follows: one threaded stud end, and one threaded insert.
- 2: Screw the studs into the inserts until tight.
- 3: Repeat steps 1 and 2 with the remaining two sets.



- 4: Locate one of the Green Brackets and place the Dowels in it as shown.

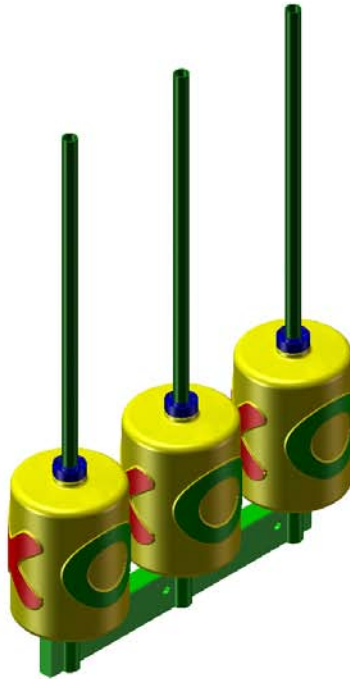


- 5: Locate the Blue Collars and slide them over the Dowels.



## STEP 41: Tic-Tac-Toe

- 1: Locate the Tic-Tac-Toe Tumblers and place one on each Dowel above the Collars.
- 2: Continue placing Collars and Tumblers on the Dowels until none remain.



- 3: Locate the green Bracket and place on top of assembly. Line up the holes in the bracket with the Dowels on the unit.



## Step 42: Tic-Tac-Toe Panel

1: Center the bottom 1-3/8" x 1-5/8" x 10-1/2"L Tic-Tac-Toe Board between the Panel Slats on the rear wall, 4" up from the deck. Attach the Tic-Tac-Toe Board with 2" wood screws going through the Panel Slat and then through the Tic-Tac-Toe Board.

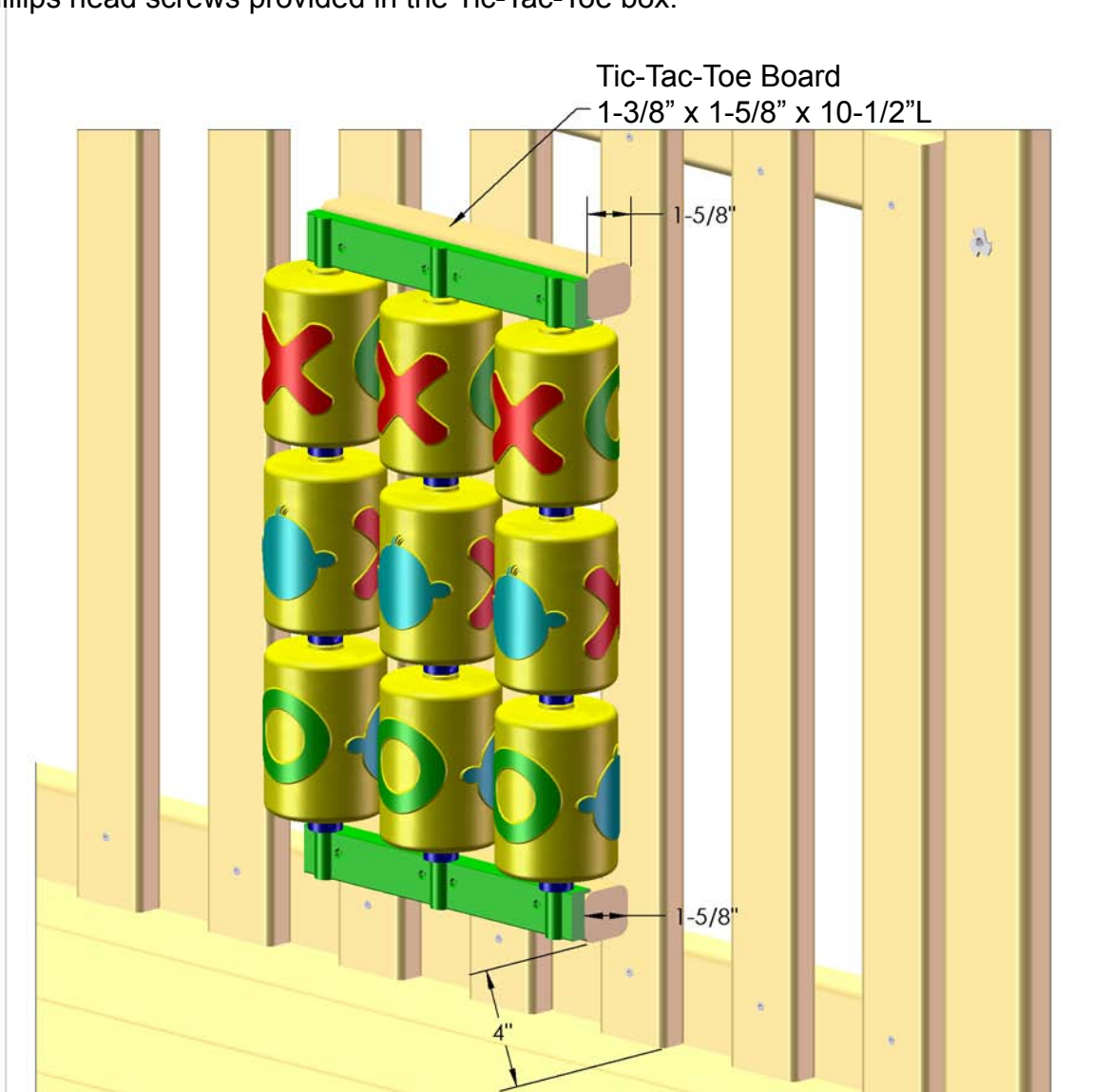
**IMPORTANT:** Make sure each Tic-Tac-Toe Board is mounted to the Panel Slats observing the 1-5/8" dimension shown below.

2: Place the Tic-Tac-Toe Panel on the previously installed Tic-Tac-Toe Board, and then place the other 1-3/8" x 1-5/8" x 10-1/2"L Tic-Tac-Toe Board at the top of the Tic-Tac-Toe Panel.

3: With a pencil, make a mark at the top of the Tic-Tac-Toe Board onto the Panel slats and set the Tic-Tac-Toe Panel aside.

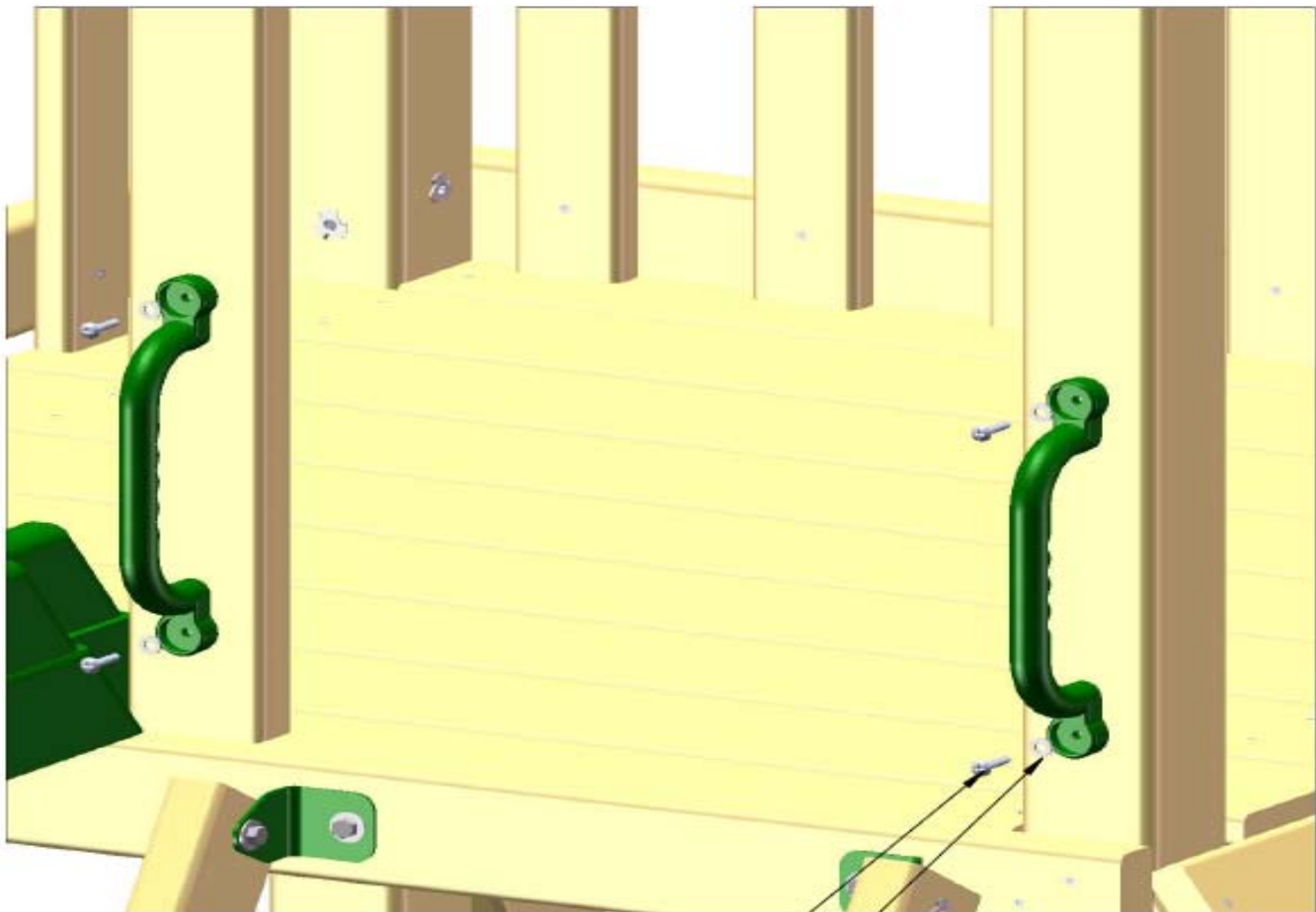
4: Place the Tic-Tac-Toe Board against the Panel Slats back at the mark that was previously made. Attach it with 2" wood screws going through the Panel Slat and then through the Tic-Tac-Toe Board.

5: Place the Tic-Tac-Toe Panel on the Tic-Tac-Toe Boards, and attach it with the 1"L Phillips head screws provided in the Tic-Tac-Toe box.



## Step 43: Safety Handles

- 1: Place the Safety Handles at the desired height above the ladder opening on the front right Corner Post and the front Center Post
- 2: Attach with 1-1/4" pan head screws and 1/4" washers provided with handles.



1-1/4" Pan  
Head Screw

1/4" Washer

## Step 44: Ground Stakes

1: Drive the Ground Stakes into the ground so that approximately 4" of the Ground Stake is above ground.

2: Use 5/16" x 1-1/2" lag screws to attach the Ground Stakes to the Swing Legs.

3: On the Corner Posts on the rock wall side of the fort, drive the Ground Stakes into the ground to a distance that will not interfere with the hex bolts that are installed in the Sandbox Boards. The Ground Stakes will be on the inside of the sandbox on the Corner Posts.

4: Use 5/16" x 1-1/2" lag screws to attach the Ground Stakes to the Corner Posts.



## WARRANTY REGISTRATION CARD - Excursion II

Go to [www.gorillaplaysets.com/category-s/112.htm](http://www.gorillaplaysets.com/category-s/112.htm) to fill out our online registration and save a stamp! If you do not have internet access, fill out this form and return it to us to complete your registration.

Name: \_\_\_\_\_

Address: \_\_\_\_\_

City, State, Zip: \_\_\_\_\_

Email: \_\_\_\_\_

Date of Purchase: \_\_\_\_\_

Place of Purchase: \_\_\_\_\_

City, State, Zip: \_\_\_\_\_

Please, check the boxes below.

Your age?

- 18-25  26-30  31-35  36-40  41-45  46-50  51-55  56-60  
 61-65  66+

How old are your children?

- 2-3  4-5  6-7  8+

How would you rate the quality of our product?

- Excellent  Above average  Average  Below average  Poor

Would you recommend this product?

- Yes  No

Comments:

---

---

---

Thank you for registering with Gorilla Playsets™! The information you provided will be kept confidential and will ONLY be used to better serve our customers. Remove this page from the manual and mail to the address below. Thank you from everyone here at Gorilla Playsets™!

Mail to:

**Gorilla Playsets**  
**190 Etowah Industrial Court**  
**Canton, GA 30114**  
**or fax: (678) 880-3329**

