

Skyloft Add-On*

Model: 1542

(BOXES: 1542 wood box,
1542 accessory box)

*playset sold separately

Copyright © 2020 Gorilla Playsets
All Rights Reserved



51-3052

166 Etowah Industrial Court
Canton, GA 30114

www.gorillaplaysets.com

REV 3-10-2020

!!READ BEFORE BEGINNING PLAYSET ASSEMBLY - EXTREMELY IMPORTANT!!

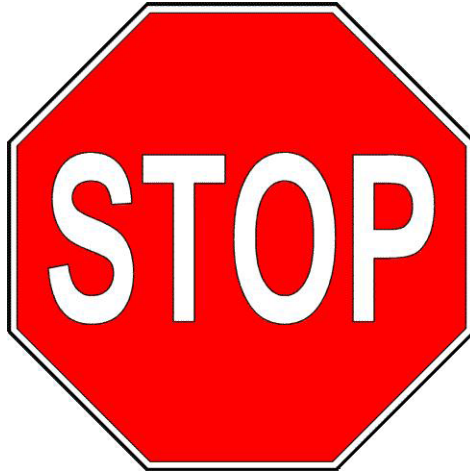
There will be deviations to the way your playset is constructed due to the addition of this **1542 Skyloft Add On kit**. If your playset has a **1525 Treehouse Add on Kit** or a **1531 Fort Add On Kit** make sure you read through all of those manuals thoroughly before beginning assembly of the playset. The 1525 manual is usually found in the appendix of the playset manual. The 1531 manual is usually in the slide box of the playset.

Shown on the cover of this manual is the 1542 Skyloft Add On kit with our Standard Wood Roof. Should your playset include a **1525 Treehouse Kit** or **1531 Fort Add On Kit** then you will need to postpone installation of those items until after the **1542 Skyloft Add On Kit** is installed.

Construct the playset in the following way:

- 1) Assemble the playset wood roof up until the point that right side of the roof is installed. DO NOT install roof boards on the left side of the roof. It is okay to install the roof starters on both sides of the roof and the roof peak.
- 2) DO NOT install panel slats on the left side of the playset (swing beam side) where the Skyloft ladder is shown on the cover of this manual. The panel slats for the left side wall of the playset are installed by using this 1542 manual. All other panel slats on the remaining walls will be installed using the main playset manual or the **1531 Fort Add On manual**. Pay special attention to this if you have that **1531** option since you will be "walling off" instead of "slating off" the rear and the right wall of the playset.
- 3) When assembling the swing beam note that mounting the swing beam to the swing beam legs will be different due to the extra Sub Bracket required by the 1542 Skyloft. See Steps 21-23 in this 1542 manual to fasten the swing beam legs to the swing beam and to level the swing beam assembly.

Once the 1542 Skyloft Add On kit has been completely installed go back and review the manuals for the 1525 Treehouse Add on Kit and the 1531 Fort Add on Kit if your playset came with those options. At that point you should be able to install the 1525/1531 kits and go on to complete the playset.



Please inspect and inventory all parts immediately upon accepting delivery. Use the inventory pages in the manual to make sure you have received all necessary parts. The quickest method to get any parts that are missing or damaged is to use our “Quick Response Center” located at:

www.gorillaplaysets.com/support

DO NOT RETURN THIS PRODUCT TO THE RETAILER OR CONTACT THE RETAILER DIRECTLY. THE RETAILER DOES NOT STOCK COMPONENTS.

PLEASE RETAIN ALL INSTRUCTIONS FOR FUTURE REFERENCE. KEEP THEM IN A SAFE PLACE WHERE YOU CAN REFER TO THEM AS NEEDED. CHECK FOR REVISED INSTRUCTIONS AT:

www.gorillaplaysets.com/manuals

GORILLA PLAYSETS WARRANTY – 2020

Gorilla Playsets® (“Gorilla”) warrants its play sets to be free from defects in workmanship and materials, under normal use and conditions, for 10 years for above ground structural wood components and for one year for all other components (e.g., swings, hardware, plastics, tarps, rope ladder, etc.).

Gorilla warrants all remaining products, including but not limited to its, Malibu Playhouse, Free Standing Swing Set, Free Standing Tire Swing, See-Saw, Children’s Picnic Table with Umbrella, Play-Zee-Bo™, Cedar Toy Chest, Interlocking Sandbox and spring riders to be free from defects in workmanship and materials, under normal use and conditions, for a period of 1 year.

Cosmetic imperfections and natural tendencies of wood such as peeling, splintering, warping, seasonal checking or cracking, knots or knot holes, etc. are normal characteristics of all outdoor wooden play equipment and are not covered by this warranty. Checks or cracks in wood components that do not affect the intended function of the part, piece or overall swing set are not covered under this warranty.

Wood rot or decay that develops because the product was installed in an area with poor drainage is not covered under this warranty. Lumber that has been damaged by wood boring bees, or conditions that develop as a result of faulty or improper installation of the product, are not covered by this warranty. Fading of stain, discoloration or mold on any wood part or accessory is not covered by this warranty. Cracks in plastic components, surface rust on hardware and chips on powder coated materials are not considered defects in material as long as they do not affect the functionality or structural integrity of the part or component.

It is the owner’s responsibility to maintain the swing set. **This includes but is not limited to staining and sealing the lumber as needed and regular inspection to be sure all hardware is tight.** Instructions for proper maintenance can be found on Gorilla’s website. Imperfections or conditions that develop because of a failure to properly maintain the swing set are not covered by this warranty.

Gorilla will, at its discretion, replace any above ground part within the stated warranty period that is defective in workmanship or materials. This decision is subject to verification of the defect, which, at Gorilla’s discretion, may be accomplished by submitting photographs or by delivery of the defective part to Gorilla Playsets • 166 Etowah Industrial Ct. • Canton, GA 30114 • 1-800-882-0272 Monday to Friday 9AM-5PM EST. Any warranty claim must include proof of purchase, including the date of purchase. **In addition, within the first 30 days from the date of purchase, Gorilla will replace any parts discovered to be missing from or damaged in the original packaging.**

This warranty is valid only if the product is used for the purpose for which it was designed and installed at a residential, single-family dwelling. This warranty is void if the product is used in a commercial, institutional or multi-family setting. **This warranty does not cover normal wear and tear or (a) products that have been damaged by acts of God and/or nature, negligence, misuse or accident; (b) products that have been modified or repaired by unauthorized persons; (c) the cost of labor; or (d) the cost of shipping any replacement product or part.**

GORILLA DISCLAIMS ALL OTHER REPRESENTATIONS AND WARRANTIES OF ANY KIND, EXPRESSED, IMPLIED, STATUTORY OR OTHERWISE, INCLUDING THE IMPLIED WARRANTIES OF MERCHANTABILITY AND FITNESS FOR A PARTICULAR PURPOSE. GORILLA WILL NOT BE LIABLE FOR ANY INCIDENTAL OR CONSEQUENTIAL DAMAGES. This warranty is non-transferable and does not extend to the owners of the product subsequent to the original purchaser. Some states do not allow limitations on implied warranties or exclusion of incidental or consequential damages, so these restrictions may not be applicable to you. This warranty gives you specific legal rights. You may also have other rights which vary from state to state.

IMPORTANT SAFETY GUIDELINES

This product is recommended for use by children ages 3-11. This product is intended for residential use only and not intended for use in any public setting. A safety surface such as mulch or recycled tire should be used under the play set to prevent injury from falls. Also a 6 foot safety zone should be used around the entire play set.

As with any home project, good judgment and respect for power tools will greatly reduce the risk of injury. Gorilla recommends you follow all tool manufacturers' safety guidelines. Always wear eye protection and safety gloves to prevent injury. In several phases of construction two people may be required for lifting and securing of lumber. While the play set is being constructed, please keep children off the equipment until the project is complete. Bolts and screw heads should be checked regularly for tightness. The ground ladder, rope ladder, slide, swings and other areas where children spend a majority of their playtime should be checked more frequently.

Gorilla shall not be liable for incidental, indirect or consequential damages or injuries that result from building and/or playing on our play sets. Adult supervision is recommended anytime a play set is being used.

Parents should teach their children these safety rules in addition to the playset safety rules when playing on the Sky Loft:

- 1) Do not climb over the railings of the Sky Loft onto the playset roof.
- 2) Do not climb over the railings, hang from the railings or sit on the railings.
- 3) Do not climb over the railings onto the swing beam.
- 4) Do not hang/attach: any rope, chain, banner, sign or any other item to Sky Loft.
- 5) Closed toe shoes must always be worn when playing on the Sky Loft.
- 6) No pets are allowed on the Sky Loft.
- 7) No loose items are allowed on the Sky Loft. Loose items could fall from the Sky Loft onto the swing users.
- 8) Do not throw items from the Skyloft.
- 9) No helmets may be used on the Skyloft or on the playset.
- 10) Keep your hands, legs, feet and arms inside the Sky Loft always. Do not reach out beyond the Skyloft walls to attempt to touch a swing user or to catch an object.
- 11) Flags are not removeable, do not attempt to remove the flags.
- 12) Safety Handles should be used when entering/exiting the Sky Loft.
- 13) The maximum number of users of the Sky loft is 2.
- 14) This is not an exclusive list of safety rules, other safety rules are listed in the main manual and accessory manuals for your playset.

WEIGHT LIMIT FOR SKY LOFT

- SKYLOFT PLATFORM: 125 LBS. TOTAL WEIGHT ON DECK. MAXIMUM # OF USERS = 2.

Gorilla recommends that the weight limits for all components must not be exceeded. Failure to adhere to these and other safety guidelines could result in damage to the play set and injury to the users.

THIS PAGE INTENTIONALLY LEFT BLANK

PRODUCT REGISTRATION

- SKY LOFT ADD-ON (1542) -

Gorilla Playsets™ manufactures the finest quality products that are designed for outstanding strength and durability. We back our products with unparalleled warranties. In the unlikely event that you need to contact us about covered repairs, we must have a valid Product Registration on file.

3 EASY WAYS TO REGISTER	
OPTION 1	Complete the online registration form at: http://www.gorillaplaysets.com/register
OPTION 2	Fax this completed form to: (678) 880-3300
OPTION 3	Mail this completed form to: Gorilla Playsets 166 Etowah Industrial Court Canton, GA 30114

Where did you buy this product?

Date of Purchase _____ Store _____ Store City _____ Store State _____

Your registration information:

Name: _____ Email: _____

Address: _____

Street

City

State

Zip

Please select 18-30 41-50

your age 31-40 51+

How old are 2-3 6-7

your children? 4-5 8+

Number of
children

How would ★ ★ ★ ★ ★ Excellent
you rate the ★ ★ ★ ★ Above Average
quality of this ★ ★ ★ Average
product? ★ ★ Below Average
 ★ Poor

Would you recommend this product to friends & family? Yes No

May we add you to our mailing list? Yes No

May we use your comments on websites or other marketing materials? Yes No

Comments: _____

THIS PAGE INTENTIONALLY LEFT BLANK

IMPORTANT – PLEASE READ

Congratulations! You have just purchase one of the finest residential wooden swing sets available today. As with any wooden product that spends its entire life outside, in varying elements, it is important to know what to expect with your new swing set so that your family can enjoy it for many years.

As your swing set acclimates to its new environment, natural characteristics of the wood can show in the form of checks, or “cracks” in the lumber. In almost all cases this is normal and it will not affect the structural integrity of your play set and is not covered under warranty.

KEEPING YOUR PLAYSET LIKE NEW

MUST DO's

The following owner responsibilities are crucial to the safety, integrity and aesthetic appeal of your swing set and may affect the warranty if not adhered to.

WITHIN 60 DAYS

- Check and tighten Hex Bolts/T-nuts, Carriage Bolts/Lock-nuts, and Lag Screws within the first 60 days and then twice annually – once before each season and then once during the season.

WITHIN 90 DAYS

- Apply a **sealant** or **semi-transparent stain with sealant** within the first 90 days of owning the swing set. Our own Stain/sealant is available online here: <http://www.gorillaplaysets.com/Playground-Sealant-p/10-0003.htm>

Oil based stain or water based stain may be used. Should you choose to use other stain we suggest asking the product covering specialists at any number of specialty paint stores or home improvement centers for a product that would work best for your local environment. ** TIP – while the set is new, take a small board from to the store with you so they can color match the tint of the stain or sealant.

SEASONAL REMINDERS

- If your area experiences regular snowfall, remove your fabric tarp/canopy to avoid stretching, sagging or tearing of the material. Store it inside, folded up, and it will be as good as new when winter is over.
- If your area experiences extremely cold temperatures, remove swing belts and other pliable features to prolong the lifespan of these play activities.

OTHER TIPS

- Spray swing hangers with Pam, Mazola or olive oil to stop squeaking; do not use petroleum based products such as WD-40 or motor oil.
- To repel yellow jackets and wasps, use a cotton ball and dab interior wooden corners underneath the play set deck with a liquid dish soap. Avoid using insecticides.
- To speed up the slide wipe the center of slide with wax paper every 2 - 3 weeks.

For additional safety and maintenance guidelines, please visit our website.



IMPORTANT DOCUMENTS

CUSTOMER MUST READ AND RETAIN

Please go to the following links and read important **SAFETY** information prior to using your new play structure.

<http://www.gorillaplaysets.com/Swing-Set-Safety-s/85.htm>

<https://www.gorillaplaysets.com/Maintenance-s/129.htm>

<http://www.gorillaplaysets.com/manuals.html> (Click on your specific model)

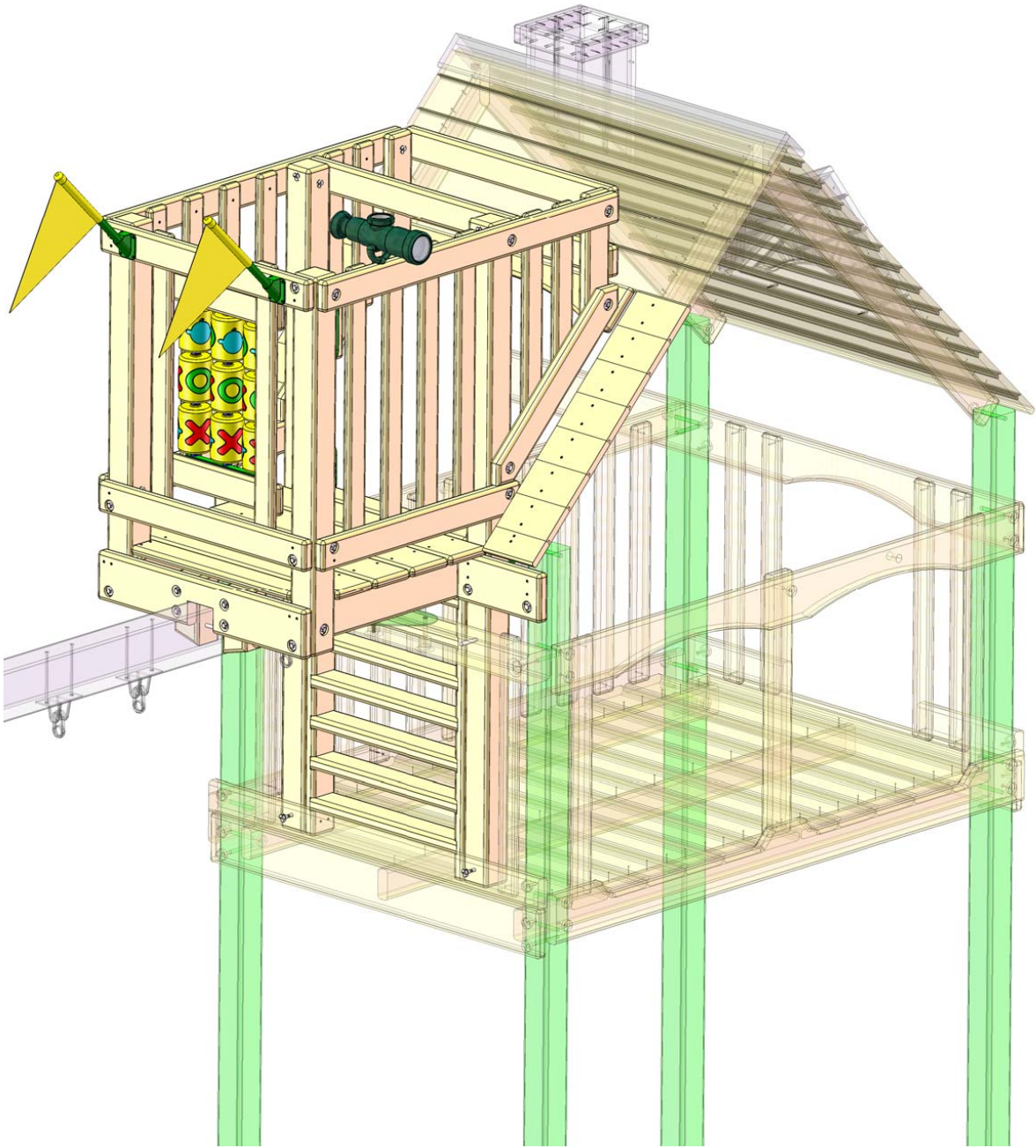
<http://www.gorillaplaysets.com/Warranty-s/82.htm>

NOTE: Your children's safety is our #1 concern. Observing the following statements and warnings reduces the likelihood of serious injury. Please review these safety rules regularly with your children.

WARNING:

Children must NOT use this play set until it has been completely assembled and inspected by an adult to ensure it has been properly installed.

Gorilla Playsets
190 Etowah Industrial Court
Canton, GA. 30114



Model: 1542

(BOXES: 1542 wood box,
1542 accessory box)

REV: 3.10.2019

TABLE OF CONTENTS

Safety Guidelines.....	Pages 3-6
Leveling Fort, General Information and Definitions.....	Pages 6-9
How to Install T-nuts, Board Identification, Predrill Lag screw Directions and Swing Beam Loading.....	Pages 10-14
Site Plan, Required Tool List and Kit Contents.....	Pages 15-16
Hardware, Lumber and Accessory Checklists.....	Pages 17-23
Deck Frame.....	Step 1
Deck Spacers.....	Step 2
Corner Posts.....	Step 3
Braces.....	Step 4
Attaching Braces to Deck Frame.....	Step 5
Mounting Platform to Swing Beam.....	Step 5A
Support Posts.....	Step 6
Ladder Assembly and Installation.....	Steps 7-8
Securing Sky Loft to Playset Fort.....	Steps 9-9A
Deck Boards.....	Step 10
Panel Supports, Front Panel Assembly and Bottom Panel Board.....	Steps 11-13
Panel Slats and Connector Boards.....	Steps 14-15
Playset and Skyloft Wood Roof.....	Steps 16-17
Tic Tac Toe Assembly and Installation.....	Steps 17A-17B
Accessories.....	Step 18
Panel Slats at Deck.....	Step 19
Grab Handles.....	Step 20
Swing Beam to Swing Leg Assembly and Leveling.....	Steps 21-23

**PLEASE READ OWNER'S MANUAL CAREFULLY
BEFORE STARTING ASSEMBLY!**

Safety and Maintenance Tips for Your New Play Set:

NOTE: Your children's safety is our #1 concern. Observing the following statements and warnings reduces the likelihood of serious or fatal injury. Please review these safety rules regularly with your children.

- This 1542 Add On Kit is designed for the use of 2 occupants who have a combined weight not to exceed 125 pounds on the elevated deck.
- On-site adult supervision is required.
- Teach children not to walk close to, in front of, behind, or between moving swings or other moving playground equipment.
- Teach children to sit in and never stand on swings
- Teach children not to twist the chains and ropes and not to loop them over the swing beam, since this may reduce the strength of the chain or rope.
- Teach children not to jump from swings or other playground equipment in motion.
- Teach children not to push empty seats. The seat may hit them and cause serious injury.
- Teach children to sit in the center of the swings with their full weight on the seats.
- Teach children not to use the equipment in a manner other than intended.
- Teach children to always go down slides feet first. Never slide headfirst.
- Teach children to look before they slide to make sure no one is at the bottom.
- Teach children to never run up a slide, as this increases their chances of falling.
- The parents should have the children dress appropriately with well-fitting shoes. No clogs, flip-flops, or sandals are allowed. Loose clothing such as scarves, ponchos or capes should not be worn. Always take off, tie up or tuck in cords and drawstrings on children's clothing. These things can get caught on playground equipment and strangle a child.
- Teach children not to climb when the equipment is wet.
- Teach children to never jump from a fort deck. They should always use the ladder, ramp or slide.
- Teach children to never crawl or walk across the top of monkey bars or swing beam.
- Teach children to never crawl on top of a fort roof or on the outside of a tube slide.
- Verify that any suspended climbing ropes, chains, or cables are secured at both ends and that they cannot be looped back onto itself.
- Teach children not to attach items to the playground equipment that are not specifically designed for use with the equipment, such as, but not limited to, jump ropes, clothesline, pet leashes, cables and chain as they may cause a strangulation hazard.
- Teach children to never wrap their legs around swing chain.
- Teach children to never slide down the swing chain.
- Teach children to remove their bike or other sports helmet before playing on the playground equipment.
- Teach children to NEVER look at the sun or other bright light through any accessory such as but not limited to a telescope, periscope or binoculars.
- Never add extra length to chain or rope. The chains or ropes provided are the maximum length designed for the swings.

WARNING: Children must NOT use this play set until it has been completely assembled and inspected by an adult to insure it has been properly installed and the swing beam legs are anchored.

Safety and Maintenance Tips for Your New Play Set: (continued)

Playgrounds should be inspected on a regular basis. If any of the following conditions are noted, they should be removed, corrected or repaired immediately to prevent injuries.

- Hardware that is loose, worn or that has protrusions or projections.
- Exposed equipment footings.
- Scattered debris, litter, rocks, or tree roots.
- Splinters, large cracks and decayed wood components.
- Deterioration and corrosion on structural components, which connect to the ground.
- Swing chains, rings, ropes, etcetera should always be fastened to a rotating swing hanger. NEVER attach a chain, ring, rope, etcetera to a stationary hanger such as but not limited to an eye bolt. Severe wear could occur leading to an injury.
- Missing or damaged equipment conditions, such as but not limited to handholds, guardrails or swing seats.

At the beginning of each play season:

- Owners shall be responsible for maintaining the legibility of all warning labels. Replace as required.
- Tighten all hardware. (But not so tight that you crack the wood.)
- Oil all metallic moving parts.
- Check all protective coverings on bolts, pipes, edges and corners. Replace if they are loose, cracked or missing.
- Check all moving parts including swing seats, ropes, cables and chains for wear, rust, or other deterioration. Replace as needed. Replacement should be made of any swing seat that has developed cracks in the plastic seat.
- Check metal parts for rust. If found, sand and repaint using a nonlead-based paint meeting the requirements of 16 C.F.R. 1303. These requirements are available at: <http://www.cpsc.gov/>
- Check all wood members for deterioration and splinters. Sand down splinters and replace deteriorating wood members. Once or twice a year, depending on your climate conditions, you must apply some type of protection (sealant) to the wood or your play set. Please note this is a requirement of your warranty.
- Reinstall any plastic parts, such as swing seats or any other items that were removed for the cold season.
- Rake and check depth of loose fill protective surfacing materials to prevent compaction and to maintain appropriate depth. Replace as necessary.
- Creating and maintaining the play set on a level location is very important. As your children play, your play set will slowly dig its way into the soil, and it is very important that it settles evenly. Make sure the play set is level and true.

Twice a month during play season:

- Tighten all hardware. (But not so tight that you crack the wood.)
- Check all protective coverings on bolts, pipes, edges and corners. Replace if they are loose, cracked or missing.
- Rake and check depth of loose fill protective surfacing materials to prevent compaction and to maintain appropriate depth. Replace as necessary.

Once a month during play season:

- Oil all metallic moving parts.
- Check all moving parts including swing seats, ropes, cables and chains for wear, rust, or other deterioration. Replace as needed. Replacement should be made of any swing seat that has developed cracks in the plastic seat.

At the end of each play season or when the temperature drops below 32°F:

- Remove plastic swing seats and take indoors or do not use.
- Rake and check depth of loose fill protective surfacing materials to prevent compaction and to maintain appropriate depth. Replace as necessary.

Disposal Instructions:

When the playset is no longer desired or when it reaches the end of its lifetime it should be disassembled and disposed of in such a way that no unreasonable hazard will exist at the time the playset is discarded.

PLAYGROUND SURFACING MATERIALS

SECTION 4 OF THE CONSUMER PRODUCT SAFETY COMMISSION'S OUTDOOR HOME PLAYGROUND SAFETY HANDBOOK⁹

Select Protective Surfacing

One of the most important things you can do to reduce the likelihood of serious head injuries is to install shock-absorbing protective surfacing under and around your play equipment. The protective surfacing should be applied to a depth that is suitable for the equipment height in accordance with ASTM Specification F 1292. There are different types of surfacing to choose from; whichever product you select, follow these guidelines:

NOTE: Do not install home playground equipment over concrete, asphalt, or any other hard surface. A fall onto a hard surface can result in serious injury to the equipment user. Grass and dirt are not considered protective surfacing because wear and environmental factors can reduce their shock absorbing effectiveness. Carpeting and thin mats are generally not adequate protective surfacing. Ground level equipment – such as a sandbox, activity wall, playhouse or other equipment that has no elevated play surface – does not need any protective surfacing.

Loose-Fill Materials:

- ❑ Maintain a minimum depth of 9 inches of loose-fill materials such as wood mulch/chips, engineered wood fiber (EWF), or shredded/recycled rubber mulch for equipment up to 8 feet high; and 9 inches of sand or pea gravel for equipment up to 5 feet high. NOTE: An initial fill level of 12 inches will compress to about a 9-inch depth of surfacing over time. The surfacing will also compact, displace, and settle, and should be periodically refilled to maintain at least a 9-inch depth.
- ❑ Use a minimum of 6 inches of protective surfacing for play equipment less than 4 feet in height. If maintained properly, this should be adequate. (At depths less than 6 inches, the protective material is too easily displaced or compacted.)
- ❑ Use containment, such as digging out around the perimeter and/or lining the perimeter with landscape edging. Don't forget to account for water drainage. U.S. Consumer Product Safety Commission, Washington, D.C., 20207 or call the toll-free hotline :1-800-638-2772
- ❑ Check and maintain the depth of the loose-fill surfacing material. To maintain the right amount of loose-fill materials, mark the correct level on play equipment support posts. That way you can easily see when to replenish and/or redistribute the surfacing.
- ❑ **Do not** install loose fill surfacing over hard surfaces such as concrete or asphalt.

Poured-In-Place Surfaces or Pre-Manufactured Rubber Tiles:

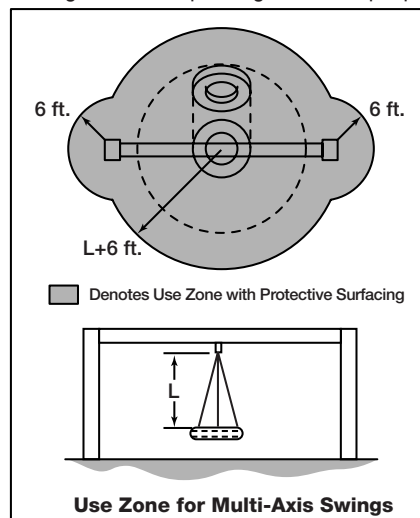
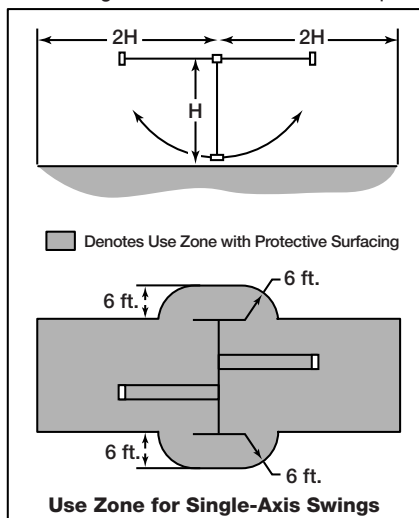
You may be interested in using surfacing other than loose-fill materials – like rubber tiles or poured-in-place surfaces.

- ❑ Installations of these surfaces generally require a professional and are not "do-it-yourself" projects.
- ❑ Review surface specifications before purchasing this type of surfacing. Ask the installer/manufacturer for a report showing that the product has been tested to the following safety standard: ASTM F 1292 Standard Specification for Impact Attenuation of Surfacing Materials within the Use Zone of Playground Equipment. This report should show the specific height for which the surface is intended to protect against serious head injury. This height should be equal to or greater than the fall height – vertical distance between a designated play surface (elevated surface for standing, sitting, or climbing) and the protective surfacing below – of your play equipment.
- ❑ Check the protective surfacing frequently for wear.

Placement

Proper placement and maintenance of protective surfacing is essential. Be sure to

- ❑ Extend surfacing at least 6 feet from the equipment in all directions.
- ❑ For to-fro swings, extend protective surfacing in front of and behind the swing to a distance equal to twice the height of the top bar from which the swing is suspended.
- ❑ For tire swings, extend surfacing in a circle whose radius is equal to the height of the suspending chain or rope, plus 6 feet in all directions.



⁹ This information has been extracted from the CPSC publications "Playground Surfacing—Technical Information Guide" and "Handbook for Public Playground Safety." Copies of these reports can be obtained by sending a postcard to the: Office of Public Affairs, U.S. Consumer Product Safety Commission, Washington, D.C., 20207 or call the toll-free hotline: 1-800-638-2772

Play Set Surfacing Recommendations:

Below are some of the recommendations that the U.S. Consumer Product Safety Commission (CPSC) offers from its Handbook for Public Playground Safety. The guide can be downloaded in full at www.cpsc.gov/PageFiles/122149/325.pdf

1. Protective Surfacing - Since almost 60% of all injuries are caused by falls to the ground, protective surfacing under and around all playground equipment is the most critical safety factor on playgrounds.

Certain manufactured synthetic surfaces also are acceptable; however, test data on shock absorbing performance should be requested from the manufacturer.

Asphalt and concrete are unacceptable. They do not have any shock absorbing properties. Similarly, grass and turf should not be used. Their ability to absorb shock during a fall can be reduced considerably through wear and environmental conditions.

Certain loose-fill surfacing materials are acceptable. Surfacing materials are acceptable, such as the types and depths shown in the table.

Fall Heights and Materials

Type Of Material	6 in. depth	9 in. depth	12 in. depth
Double-Shredded bark mulch	6' Fall Height	10' Fall Height	11' Fall Height
Wood Chips	6' Fall Height	7' Fall Height	12' Fall Height
Fine Sand	5' Fall Height	5' Fall Height	9' Fall Height
Shredded Tires*	10-12' Fall Height	N/A	N/A
Fine Gravel	6' Fall Height	7' Fall Height	10' Fall Height

*This data is from tests conducted by independent testing laboratories on a 6-inch depth of uncompressed shredded tire samples produced by four manufacturers. The tests reported critical heights, which varied from 10 feet to greater than 12 feet. It is recommended that persons seeking to install shredded tires as a protective surface request test data from the supplier showing the critical height of the material when it was tested in accordance with ASTM F1292.

It should be recognized that all injuries due to falls cannot be prevented no matter what surfacing material is used.

2. Fall Zones - A fall zone, covered with a protective surfacing material, is essential under and around equipment where a child might fall. This area should be free of other equipment and obstacles onto which a child might fall. Stationary climbing equipment and slides should have a fall zone extending a Minimum of 6' in all directions from the perimeter of the equipment.

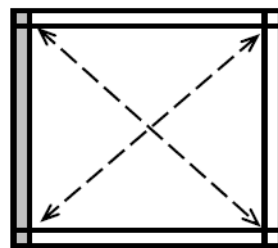
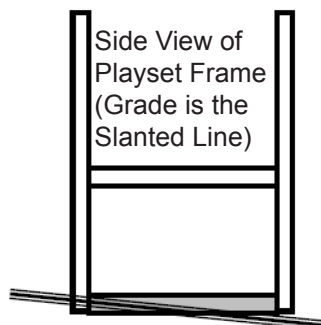
Swings should have a fall zone extending a minimum of 6' from the outer edge of the support structure on each side. The fall zone in front and back of the swing should extend out a minimum distance of twice the height of the swing as measured from the ground to the top of the swing support structure.

LEVELING YOUR FORT DURING ASSEMBLY

- Complete the steps which will be the basic frame of the fort. {i.e. four corner posts with base (sand box boards) and deck supports}
- Position in the most level area chosen for the play set, keeping in mind the location and size of the swing beam, ladder, slides, etc. that extend off the fort.
- Once the frame is in the final position, check for vertical and horizontal levelness to determine which side(s) will need to be dug into the ground to level the play set.
- With a shovel, score the ground around the outside edges of the sandbox boards on the 'high' side of the fort. This is the area that will be dug in. Make sure to score deep enough; the scored lines will be your digging template.
- Push the frame off and away from the scored area, far enough to dig and remove dirt to reach the appropriate depth.
- Dig a channel along the scored line(s) for the base of the fort (corner post and sandbox boards) to rest into. Dig the channel(s) to the same level depth. The bottom of the channel(s) should be level to each other so your frame doesn't teeter or rock because the channel(s) are uneven.
- Once you have removed enough grass and dirt, slide/push the frame into the channel(s). Place a level on the vertical and horizontal boards of the frame to determine if enough soil, or too much, was removed.
- Repeat this process until the basic frame is plumb and level and in its final position before completing the rest of the assembly.
- Measure to make sure fort is square.

Important: if you require a channel depth of more than 6", then we recommend you have your play set area professionally graded before completing assembly.

Example Play area:



The diagonal measurements should be the same from corner post to corner post. If not, adjust corner posts so that the distance is equal.

■ = Area to be scored and channeled for levelness

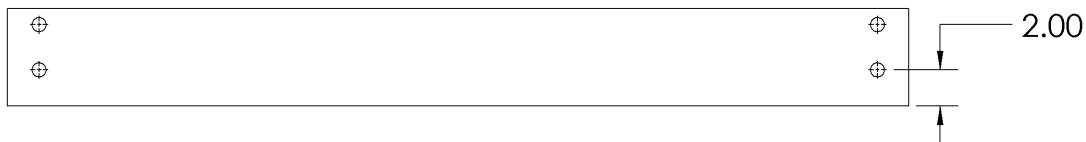
General Info to Review Before Installation

- Depending on your experience, assembly of the playset can take as little as 6 hours up to 24 hours, depending on size, after inventory of parts; therefore, we recommend you set aside a full two days for assembly.
- Identify all of the parts for your play set. Empty each box and lay out boards so you can see each part. Your instruction book will have detailed drawings that will make it easy for you to recognize individual parts. Keep all hardware and metal parts separate from wooden pieces.
- After everything is laid out, check carefully to ensure all parts are present. Make sure there are no broken boards.
- Find an area to sort your hardware. It is best to open the hardware on a solid surface so that you do not lose any pieces in the grass. This will save time and familiarize you with all the different pieces in the hardware bag.
- Important note: Wood has some natural defects such as knots, surface cracks, etc... We reject parts that are structurally defective. We use a high quality lumber in our structures; however, you should inspect each part for splinters or rough spots and sand them smooth to prevent injury.
- After familiarizing yourself with all of the components, read all instructions thoroughly. Reading instructions after you have studied the parts will help you understand the installation process, and help to eliminate unnecessary mistakes.
- Pay close attention to the diameter and length of each bolt and screw.
- Never tighten hardware completely at first. It helps to have some adjustment for bolt alignment while you are attaching parts together. After everything is square, tighten each joint.
- After the main unit is assembled it is critical that the floor is level and square. If the main frame is not level, the walls and floor will be out of square.
- After you complete installation, make sure every bolt, screw, and nut is tight, and every board is secure. Wood will expand and contract with the seasons.
- Place the set on level ground, not less than 6 feet from any structure or obstruction such as a fence, garage, house, overhanging branches, laundry lines, or electrical wires.

This page is a list of definitions and explanations used throughout our instructions to aid you in the assembly of your play set.

Offset Holes- Throughout the installation procedures we will refer to parts with offset holes. This refers to the orientation of the holes on the board. An offset hole is one that is closer to one side than it is the other or in other words, it is not centered on the board. In the procedures you will be instructed to attach the boards with the holes offset up or with the holes offset down. This refers to which side of the board the hole/holes should be closer to. Offset holes up= hole/holes will be closer to the top of the board. Offset holes down= hole/holes will be closer to the bottom of the board. Note: some parts do not have offset holes, but instead the holes are on center. Therefore there will not be any reference on how to offset these parts.

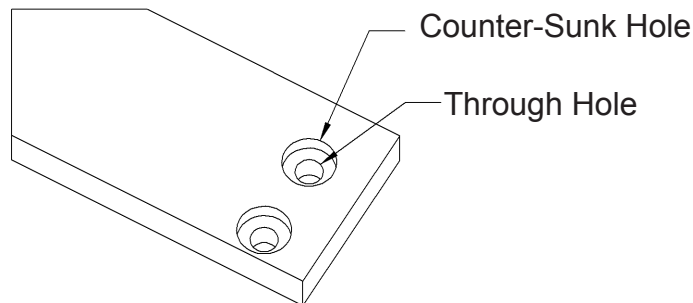
EXAMPLE OF OFFSET HOLES UP



EXAMPLE OF OFFSET HOLES DOWN



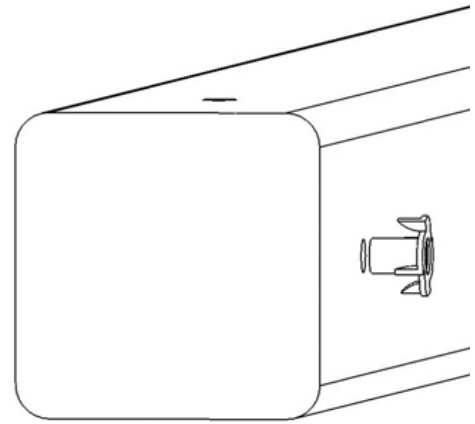
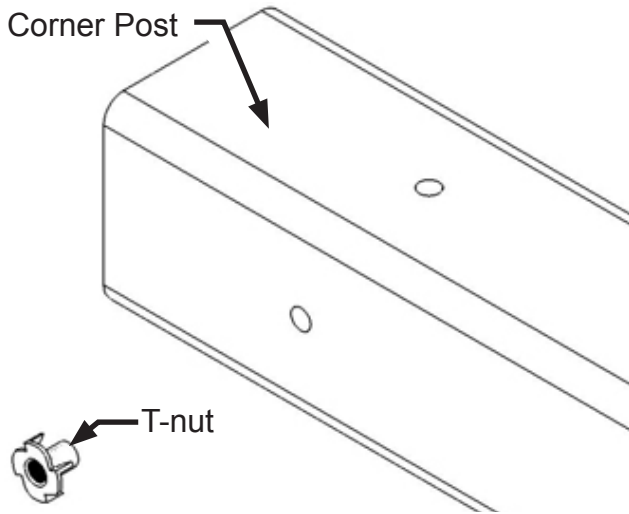
Counter-sunk holes - Many of the parts that will be used have counter-sunk holes. A counter-sunk hole is one that surrounds one side of a through hole, but does not extend through the wood it's self. When using a counter-sunk hole the bolt will be inserted through the through hole and either the head of the bolt and washer or nut and washer will occupy the counter sunk hole.



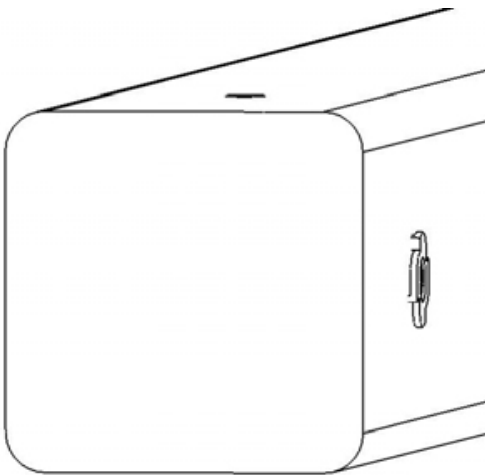
Lag Screws- Lag screws are used in the construction of our play sets to enhance the structural integrity of the unit. There will not be predrilled holes in the post for lag screw installation. Lag screws are self-tapping, though if you are using a manual socket wrench it may be advantageous to pre-drill a hole first. Instructions for this are provided on a separate page in the front of the manual. Be sure to tighten the lags completely when driving them in by hand. Power tools such as a heavy duty impact driver or large power drill should have enough torque to drive in the lag screws, but make sure not to over tighten as this can cause the threads to “strip out” in the post.

Common Installation Practice Installing T-nuts

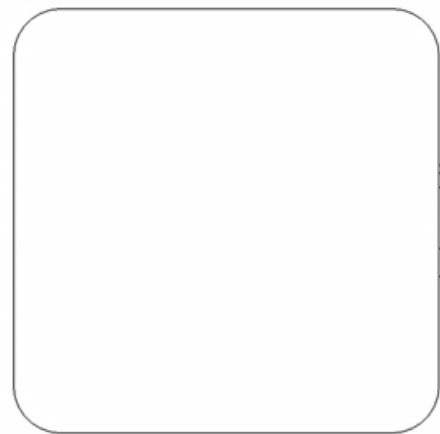
When installing T-nuts into the wood, use a smooth faced hammer to set the face of the T-nut flush into the wood.



Insert the barrel of the T-nut into the predrilled hole. Using a smooth faced hammer, drive the T-nut until the face of the T-nut is flush to the wood.

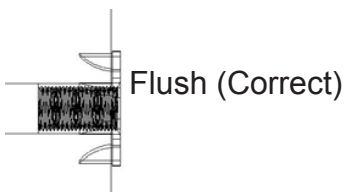


This picture shows the T-nut inserted and installed flush to the wood.



This picture shows an end view of the T-nut installed flush to the wood.

WARNING: DO NOT EMBED THE TOP OF THE T-NUT INTO THE FACE OF THE WOOD



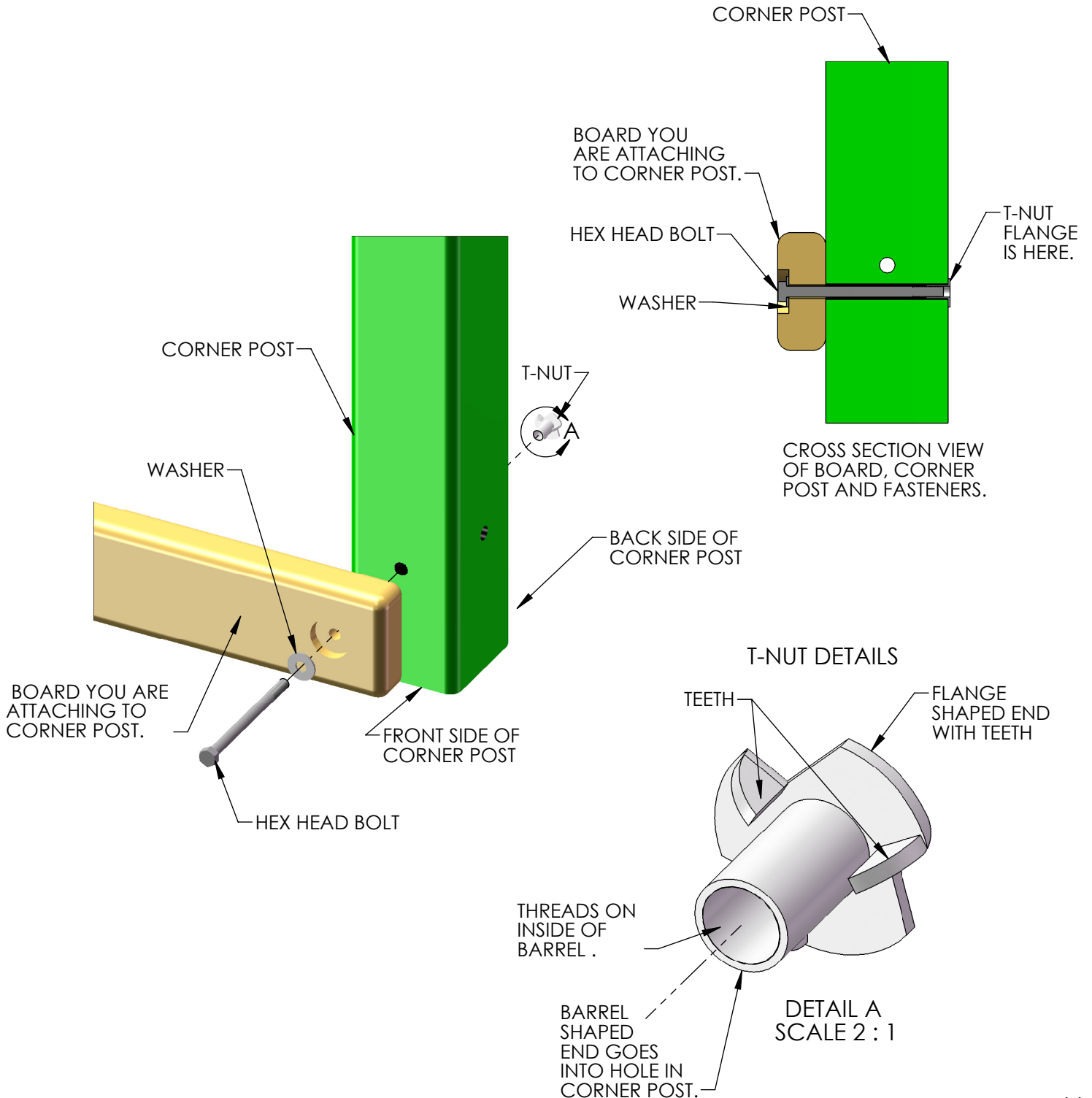
Cross Section end view, you are looking at an X-ray view of the post and T-nut. The barrel of the T-nut is in the corner post the line is the face of the wood.

HOW A T-NUT WORKS

THE FIRST STEP IN OUR ASSEMBLY INSTRUCTIONS IS TO INSERT T-NUTS INTO THE CORNER POSTS. A T-NUT IS A FASTENER WHICH IS THREADED ON THE INSIDE AND IT FUNCTIONS JUST LIKE A STANDARD HEX NUT. YOU INSERT THE T-NUTS INTO THE PREDRILLED HOLES IN THE CORNER POSTS.

THE T-NUT HAS A BARREL SHAPED END WHICH GOES INTO THE HOLE IN THE CORNER POST. THE T-NUT ALSO HAS AN FLANGE SHAPED END WITH TEETH. THE TEETH PENETRATE INTO THE CORNER POST WOOD TO PREVENT THE T-NUT FROM SPINNING WHEN YOU TIGHTEN THE HEX HEAD BOLT.

SHOWN BELOW YOU WILL SEE THE T-NUT IS HAMMERED INTO THE CORNER POST ON THE BACK SIDE. THE BOARD IS BEING ATTACHED ON THE FRONT SIDE OF THE CORNER POST.

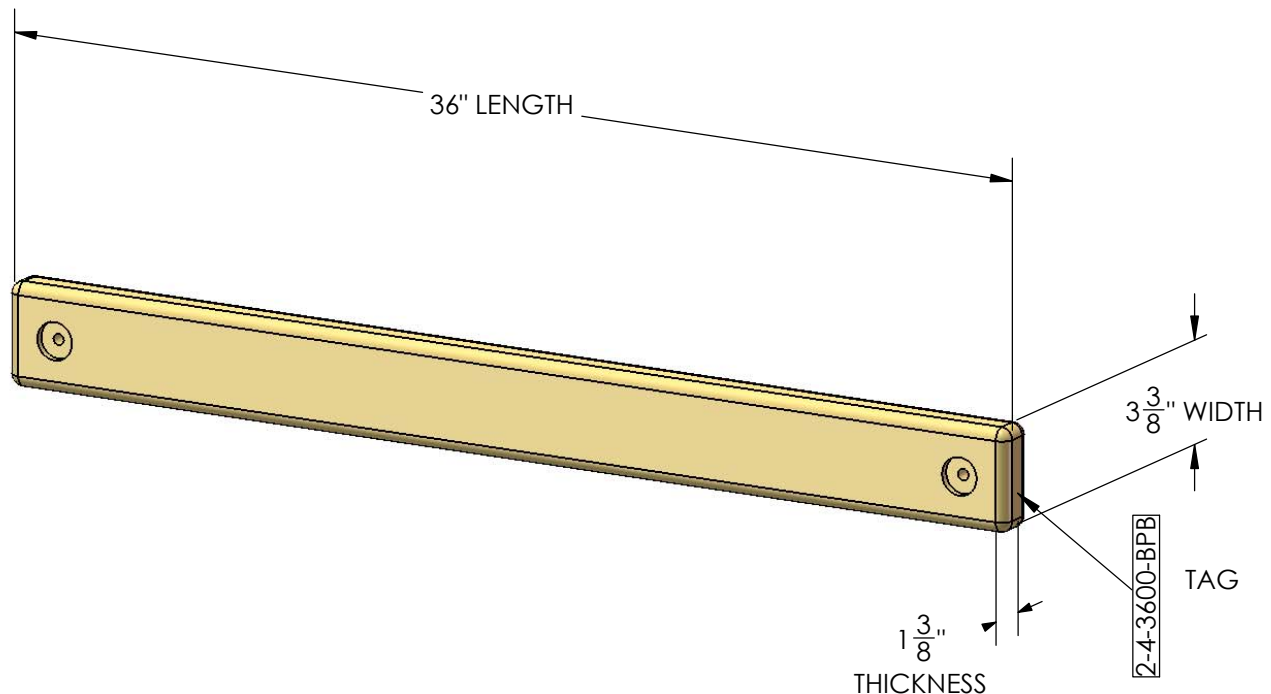


BOARD IDENTIFICATION

1. On the end of each board there should be a small white tag that is stapled or stuck into place. Remove the staples and/or tag after the board is installed.
2. This white identification tag displays the thickness, width, length and an abbreviated description of the part.

Example: a tag reads "2-4-3600-BPB"

- The 2 is the thickness of the board. "Nominal Lumber" at a home center will measure 1-1/2" for the thickness. We "remill" that lumber to 1-3/8" thick.
- The 4 is the width of the board. "Nominal Lumber" at a home center will measure 3-1/2" for the width. We "remill" that lumber to 3-3/8" wide.
Note: sometimes the width will be smaller than 3-3/8" because:
A) We need the width of the part to fit into a certain area of the play set.
B) We need the designation to be simple.
- The 3600 is the length of the board. It means the board is 36 inches long. If the code were 3625 then the board is 36-1/4" in length.
- The "BPB" abbreviation stands for "Bottom Panel Board". The wood part bill of materials in the instructions has a description which will match the abbreviation closely.
- In the event that there is no tag on a wood part measure the part then:
A) Use the measurements and compare them to the wood list at the front of the instructions to identify it.
B) Look at the holes on the wood part and compare them to the pictures in the wood list.
C) Look to see if the holes are centered or if they are offset up or offset down.
This should help you identify any parts that have missing tags. In the event that you cannot identify a board please email us for assistance.



PRE-DRILL LAG SCREW DIRECTIONS

Pre-drilling holes for lag screws will make it easier to drive the screws in by hand. "Jobber" length drill bits are available in sizes that are longer than standard drill bits and those are ideal for the job. When using the drill bit you will have to "spot" drill the post and then remove the board you are attaching to finish drilling the hole.

Pay attention to the *DIAMETER* of the lag screw you are installing. Your playset may come with two different diameter lag screws. Each diameter will require a different size drill bit. When installing lag screws **DO NOT OVERTIGHTEN.**

LAG SCREW DIAMETER	DRILL BIT SIZE
5/16" DIAMETER	9/64"
3/8" DIAMETER	11/64"

Example: 3/8" diameter x 3-1/2" lag screw

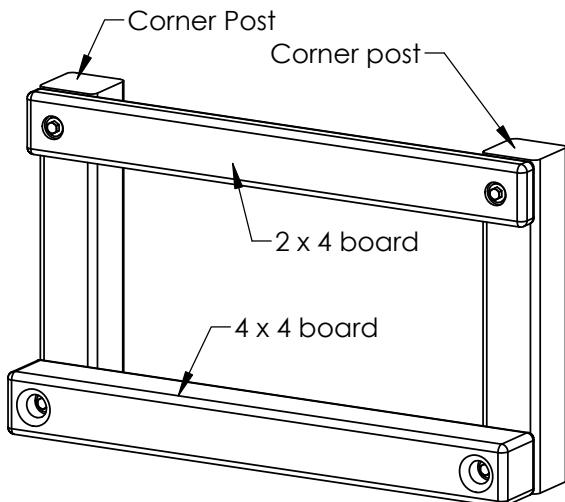
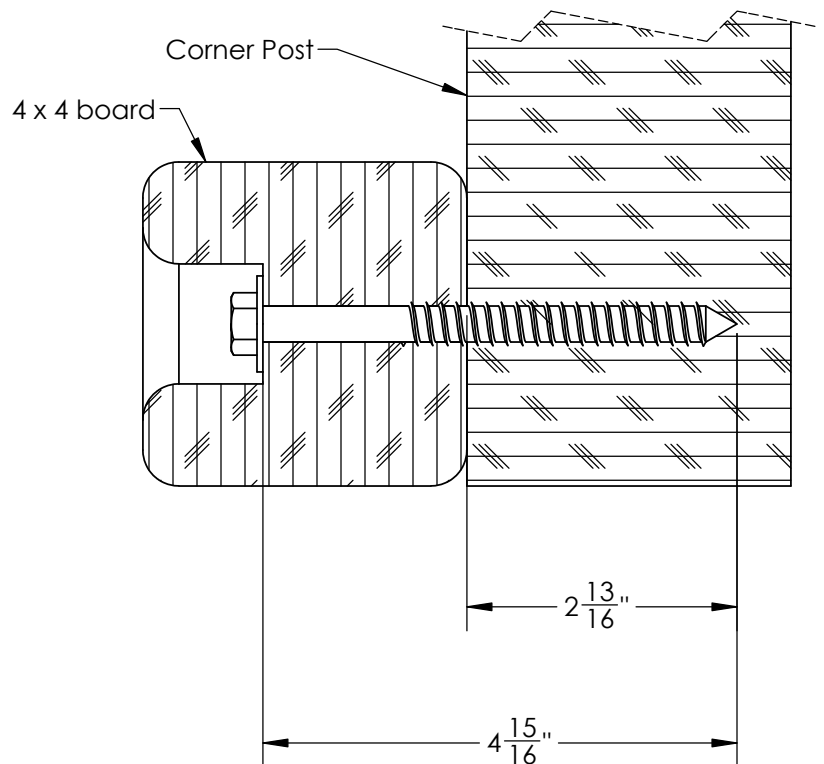
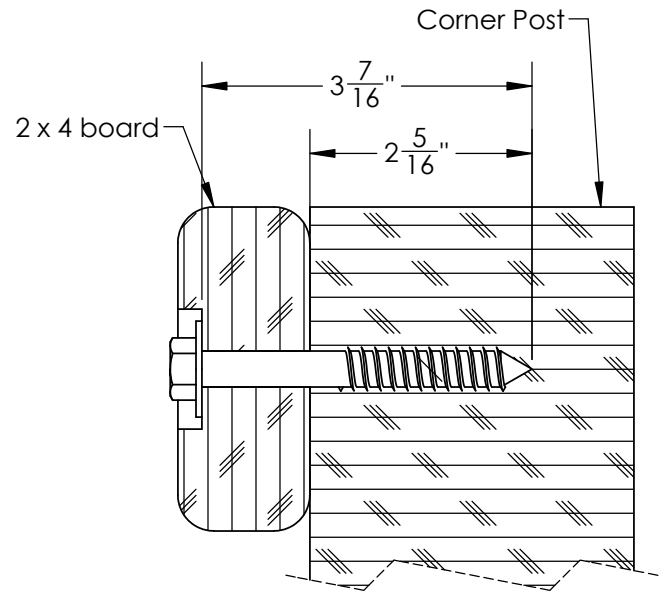
This would be like the 2 x 4 board installation shown below. Place the board into position. Spot Drill through the holes in the 2 x 4 board into the corner posts with an 11/64" drill bit. Remove the 2 x 4 board. Continue to drill the holes to a total depth of 2-5/16" as shown at the right. Install the 2 x 4 board.

Example 5/16" diameter x 3-1/2" lag screw

This would be like the 2 x 4 board installation shown below. Place the board into position. Spot Drill through the holes in the 2 x 4 board into the corner posts with an 9/64" drill bit. Remove the 2 x 4 board. Continue to drill the holes to a total depth of 2-5/16" as shown at the right. Install the 2 x 4 board.

Example 3/8" diameter x 5" lag screw

This would be like the 4 x 4 board installation shown below. Place the board into position. Spot drill through the holes in the 4 x 4 board into the corner posts with an 11/64" drill bit. Remove the 4 x 4 board. Continue to drill the holes to a total depth of 2-13/16" as shown at the right. Install the 4 x 4 board.



SWING BEAM LOADING

Weight Limits for Accessories:

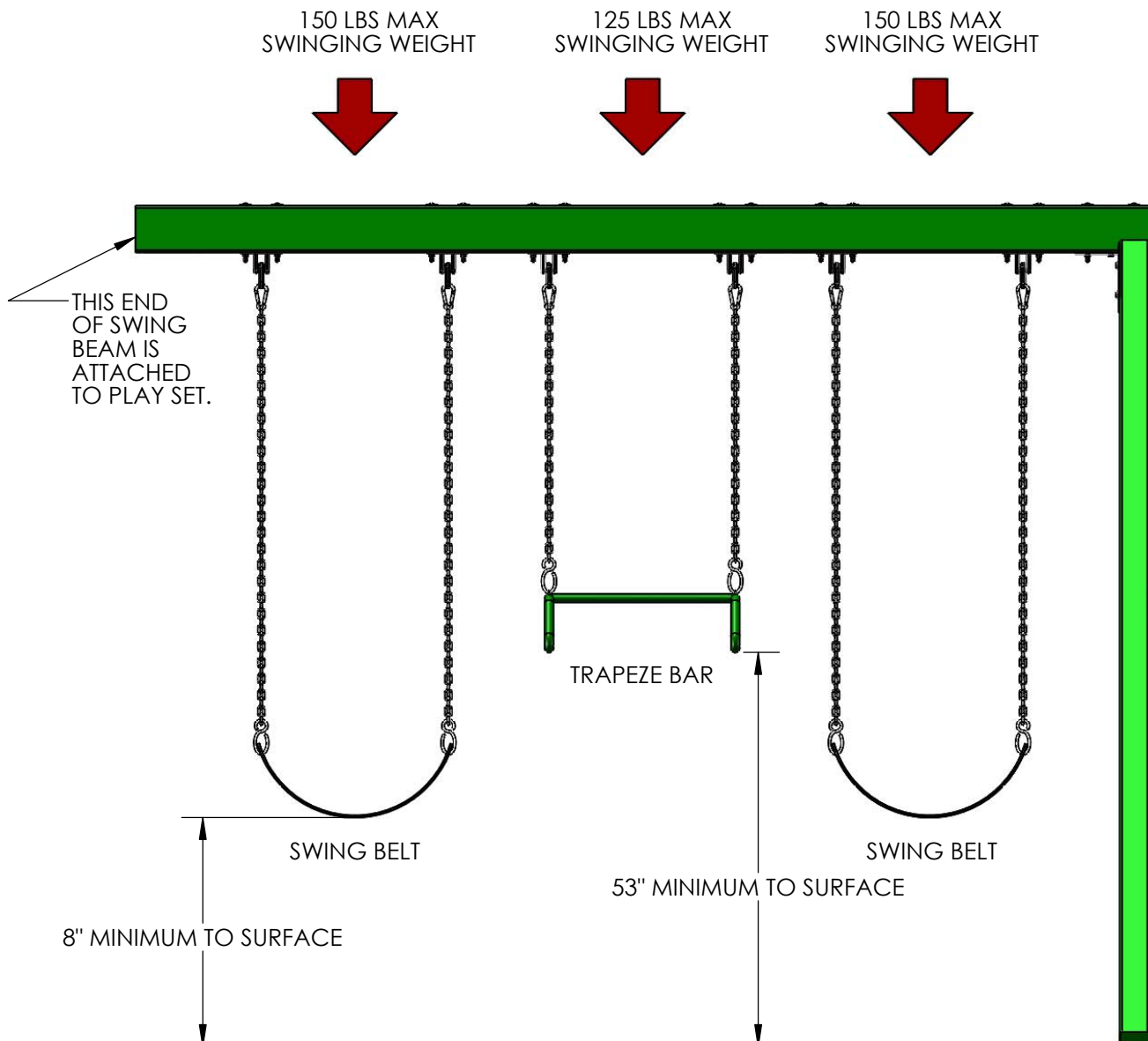
The weight limit for a Swing Belt is 225 lbs. (Although 150lbs is the maximum recommended swinging weight capacity for the swing position.)

The weight limit for a Trapeze Bar is 125 lbs.

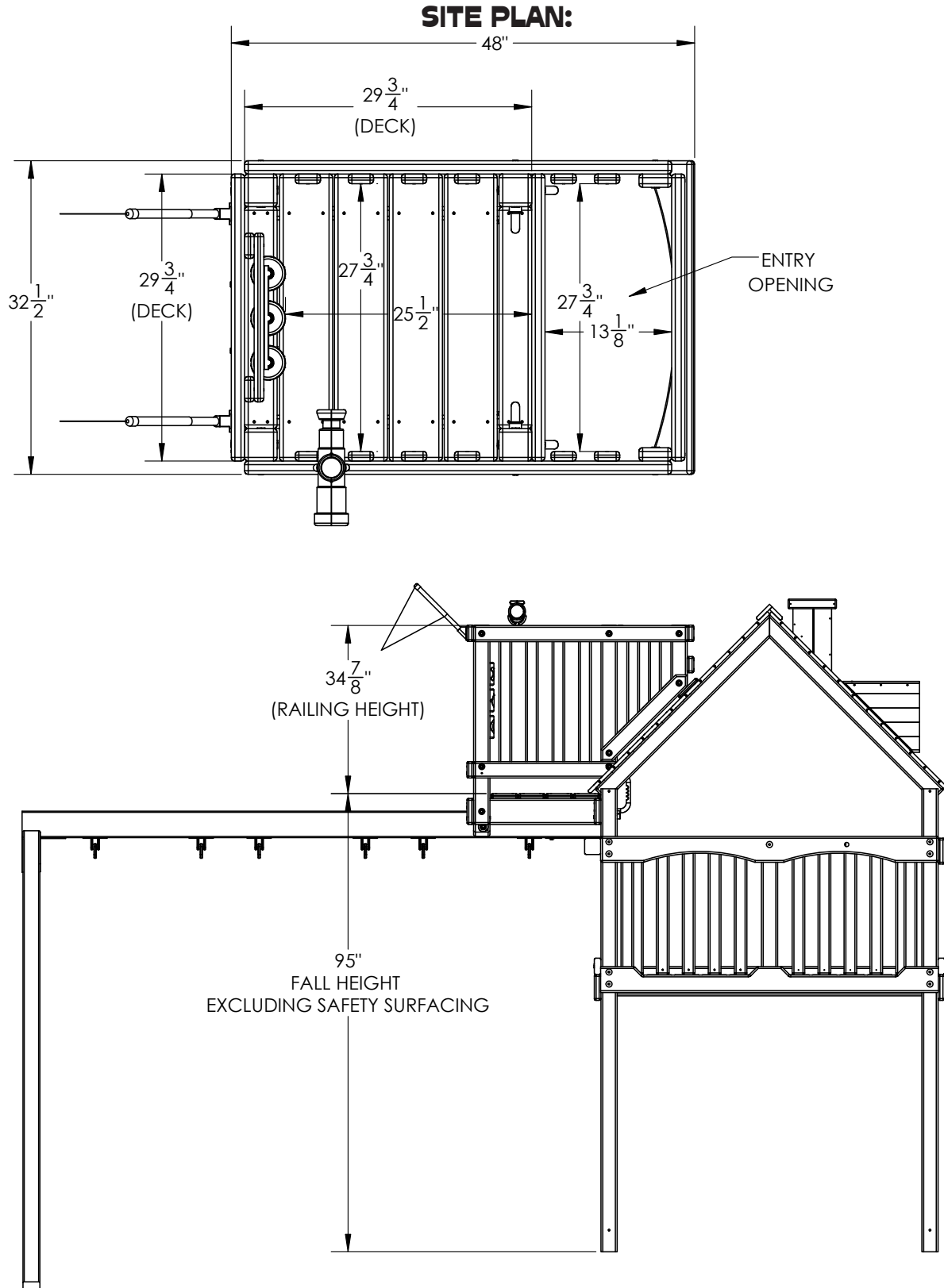
Maximum Allowable swinging weight for a three position swing:

- 1) The maximum allowable swinging weight at each Swing Belt position is 150 lbs.
- 2) The maximum allowable swinging weight at the Trapeze position is 125 lbs.
- 3) The **MAXIMUM SWING BEAM LOAD IS 425 lbs.**

MAXIMUM SWING BEAM LOAD IS 425 LBS.



Please familiarize yourself with the manual, parts/components and general construction process of your new playset before getting started.



Approximate assembly time: 2 - 4 hours

(6) foot unobstructed safety perimeter around playset recommended

REQUIRED TOOL LIST:

- Standard or Cordless Drill w/ Phillips Bit (#2 square bit provided)
- Drill Bits 1/8", 3/8", 9/64", 11/64" bits.
- 1/2" Wrench and Socket
- 1/2" Deep Well Socket
- 9/16" Deep Well Socket
- 9/16" Wrench and Socket
- Level
- Tape Measure
- Extension Cord (if using standard drill)
- Hammer
- Pencil
- Locking Pliers (Vise Grips)

KIT CONTENTS:

Swings, Slides, Accessories:

- (Qty) Description
- (1) Tic Tac Toe
- (1) Telescope
- (2) Flags
- (4) Safety Handles
- (1) Sub Bracket

Sky Loft Hardware:

see following pages

Wood Components:

see following pages



#2 SQUARE
 DRIVE BIT
 QTY: 1

#8 X 1-1/2"
 WOOD SCREW
 QTY: 40



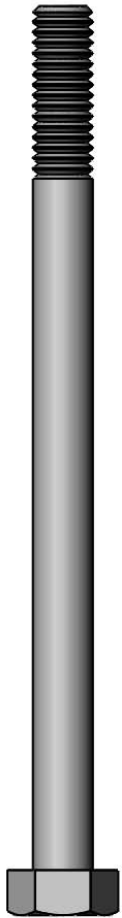
#8 x 1-3/4"
 WOOD SCREW
 QTY: 8



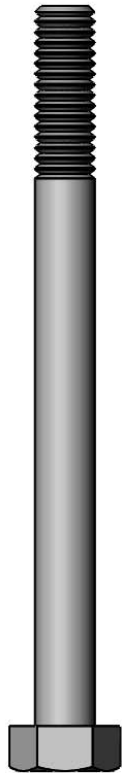
#8 X 2"
 WOOD SCREW
 QTY: 90



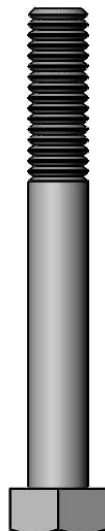
#8 X 2-1/2"
 WOOD SCREW
 QTY: 60



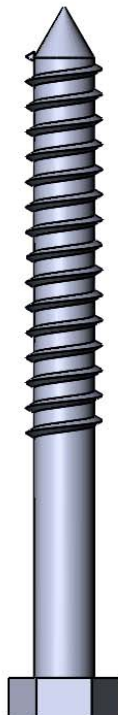
5/16 X 4-1/2"
 HEX BOLT
 QTY: 24



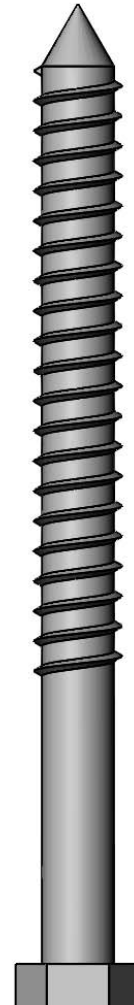
5/16 X 3-3/4"
 HEX BOLT
 QTY: 2



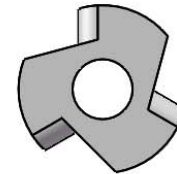
5/16" x 2-1/2"
 HEX BOLT
 QTY: 4



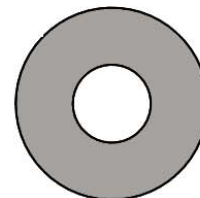
5/16" x 3"
 LAG SCREW
 QTY: 6



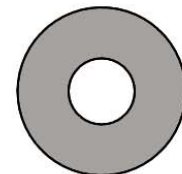
3/8" x 5"
 LAG SCREW
 QTY: 4



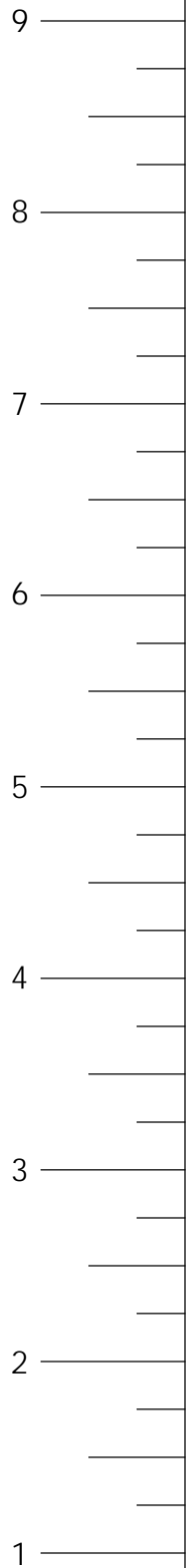
5/16" TEE NUT
 QTY: 32



3/8" WASHER
 QTY: 4



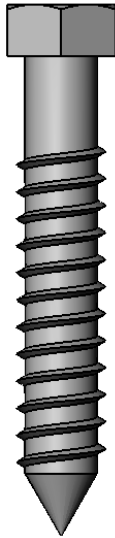
5/16" WASHER
 QTY: 44



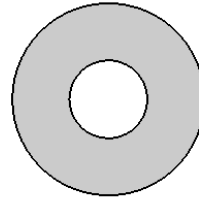
USE THE RULER TO THE RIGHT TO MEASURE YOUR BOLTS AND SCREWS. PICTURE VIEWS SHOWN ABOVE ARE 1:1 SCALE AND CAN BE USED TO MATCH BOLT AND SCREW SIZES.

11-2027
SUB BRACKET
HARDWARE
12/09/2015
JH

3/8" X 2-1/2"
LAG SCREW
QTY: 4

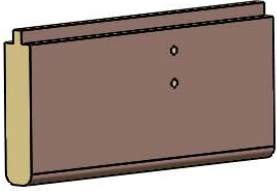
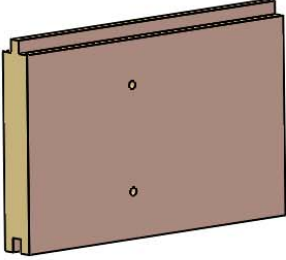
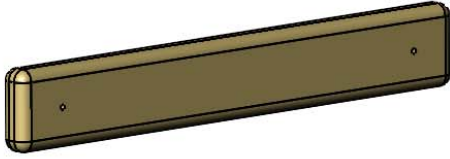
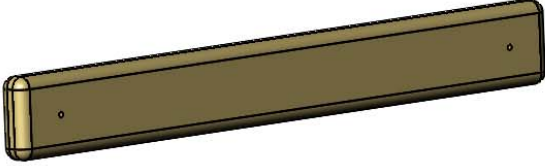
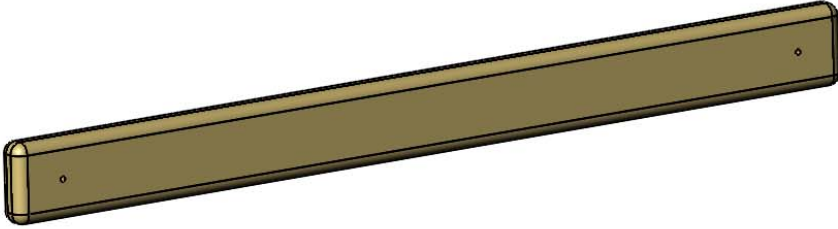
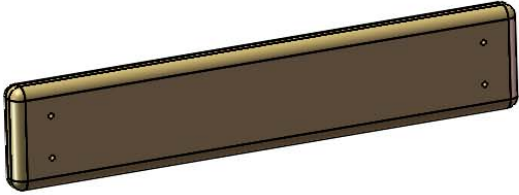
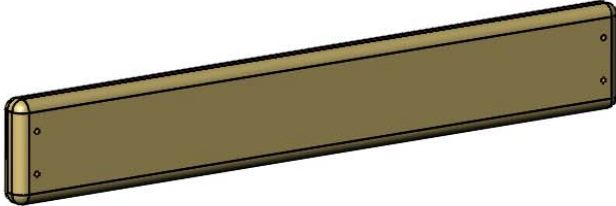


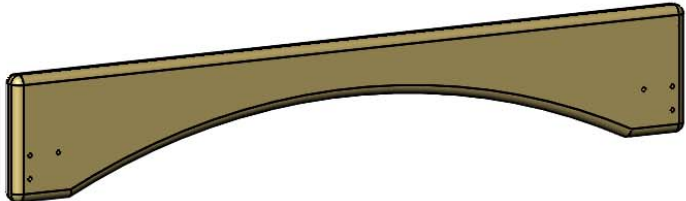
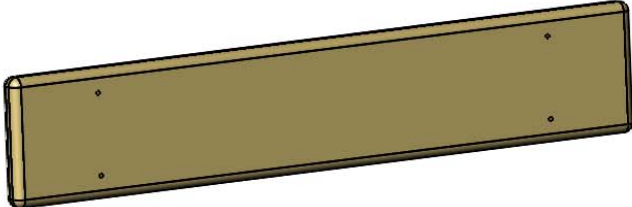
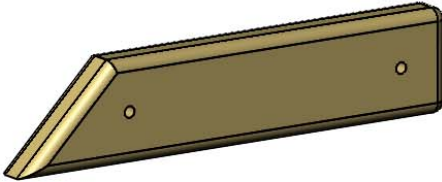
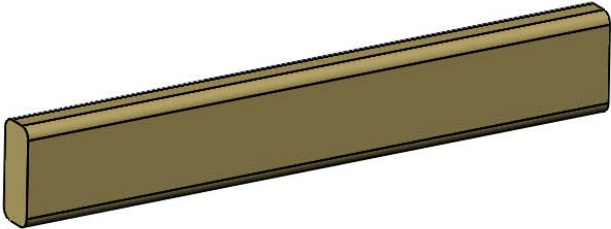
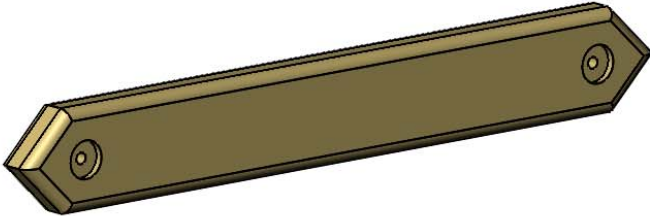
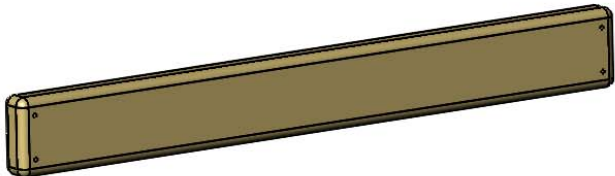
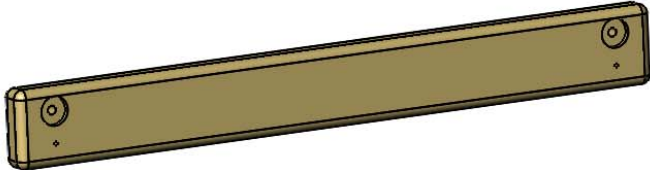
3/8" WASHER
QTY: 4

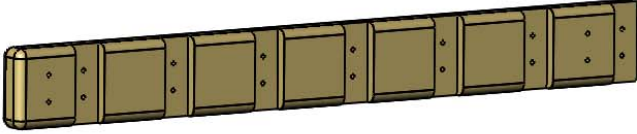
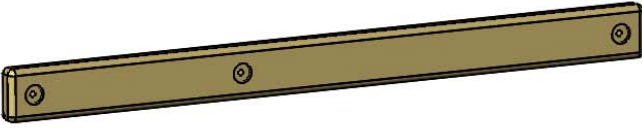
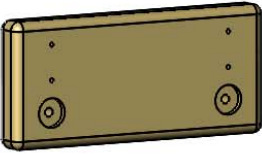
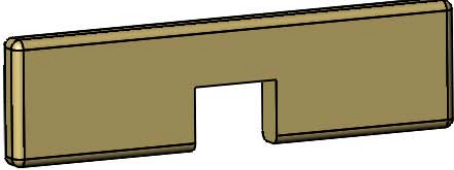
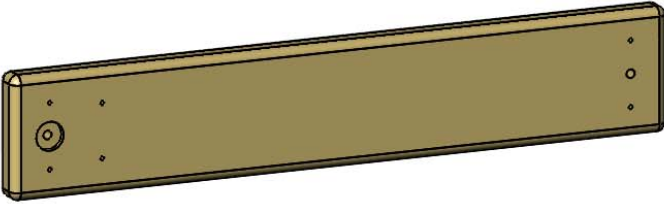
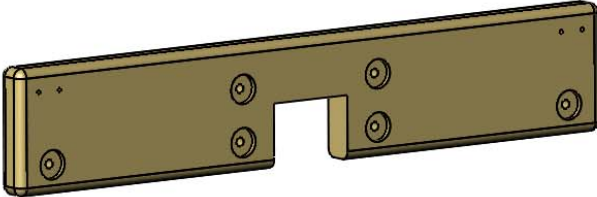
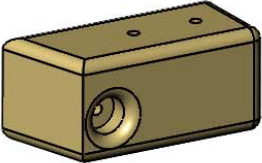


9
8
7
6
5
4
3
2
1

USE THE RULER TO THE RIGHT TO MEASURE YOUR BOLTS AND SCREWS. PICTURE VIEWS SHOWN ABOVE ARE 1:1 SCALE AND CAN BE USED TO MATCH BOLT AND SCREW SIZES.

1542	PICTURE	DESCRIPTION	QTY.
		1 X 4 X 7-3/16" TONGUE-ONLY ROOF FINISHER 1542A	2
		1 X 5 X 7-3/16" TONGUE-AND- GROOVE ROOF BOARD 1542B	14
		5/4 X 3 X 18" PANEL SLAT-1 1542C	2
		5/4 X 3 X 22-3/4" PANEL SLAT-2 1542D	2
		5/4 X 3 X 31-1/8" PANEL SLAT-3 1542E	10
		5/4 X 4 X 17-1/2" TIC-TAC-TOE MOUNT 1542F	2
		5/4 X 4 X 23" DECK SPACER 1542G	2

1542	PICTURE	DESCRIPTION	QTY.
		5/4 X 6 X 32-1/2" ENTRY BOARD 1542H	1
		5/4 X 6 X 29-3/4" DECK BOARD 1542I	4
		2 X 4 X 16" END POST 1542J	2
		2 X 4 X 21-1/4" LADDER STEP 1542K	7
		2 X 4 X 25.28" END BOTTOM PANEL BOARD 1542L	2
		2 X 4 X 29-3/4" END TOP PANEL BOARD 1542M	2
		2 X 4 X 29-3/4" END PANEL SUPPORT 1542N	5

1542	PICTURE	DESCRIPTION	QTY.
		2 X 4 X 30-7/8" LADDER SIDE 1542O	2
		2 X 4 X 44-1/4" TOP PANEL SUPPORT 1542P	2
		2 X 6 X 12" CONNECTOR BOARD 1542Q	2
		2 X 6 X 20-1/4" CENTER DECK SUPPORT 1542R	1
		2 X 6 X 29-3/4" DECK SUPPORT 1542S	2
		2 X 6 X 29-3/4" DECK MOUNT 1542T	1
		4 X 4 X 7-1/2" ANGLE SUPPORT 1542U	2

1542	PICTURE	DESCRIPTION	QTY.
		4 X 4 X 41-5/16" CORNER POST 1542V	2
		4 X 4 X 72-3/8" SUPPORT POST 1542W	2
			22

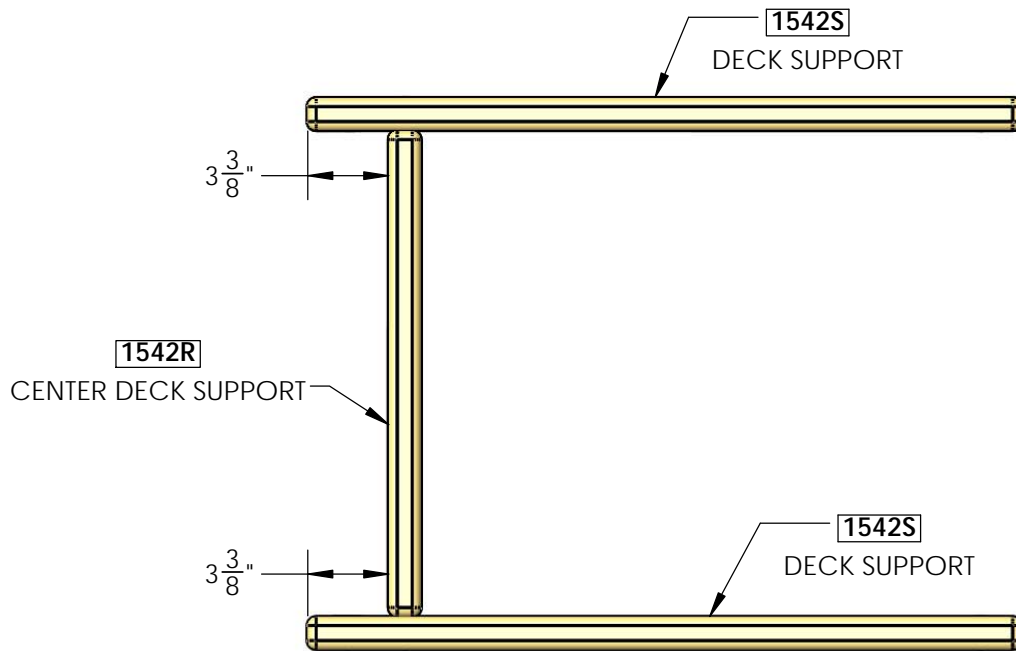
PICTURE	DESCRIPTION	QTY.
	TELESCOPE	1
	TIC TAC TOE (UNASSEMBLED) 07-0010	1
	FLAG KIT 09-1014	1 pr
	SUB BRACKET 11-5017	1
	GRAB HANDLES (2 HANDLES ARE IN ONE BAG) 07-0005	4
(NOT SHOWN)	SKYLOFT HARDWARE 11-0115 SUB BRACKET HARDWARE 11-2027	1 1

STEP 1: DECK FRAME

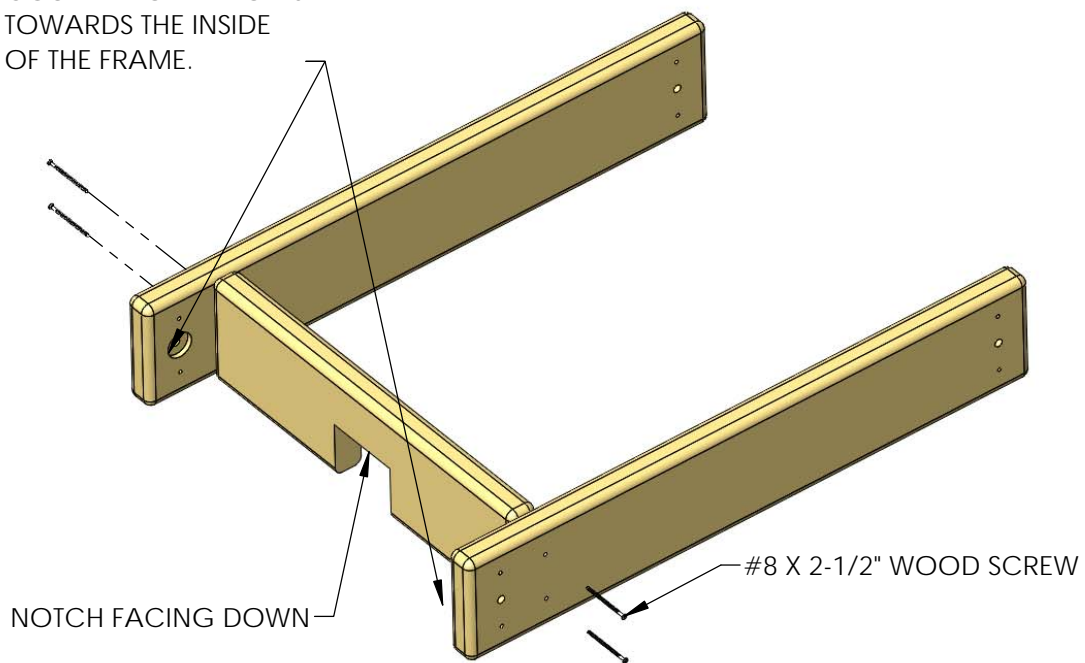
1: INSTALL BOARDS AS SHOWN BELOW:

* NOTE POSITION OF COUNTERBORED HOLES.

* NOTE DIRECTION OF NOTCH.

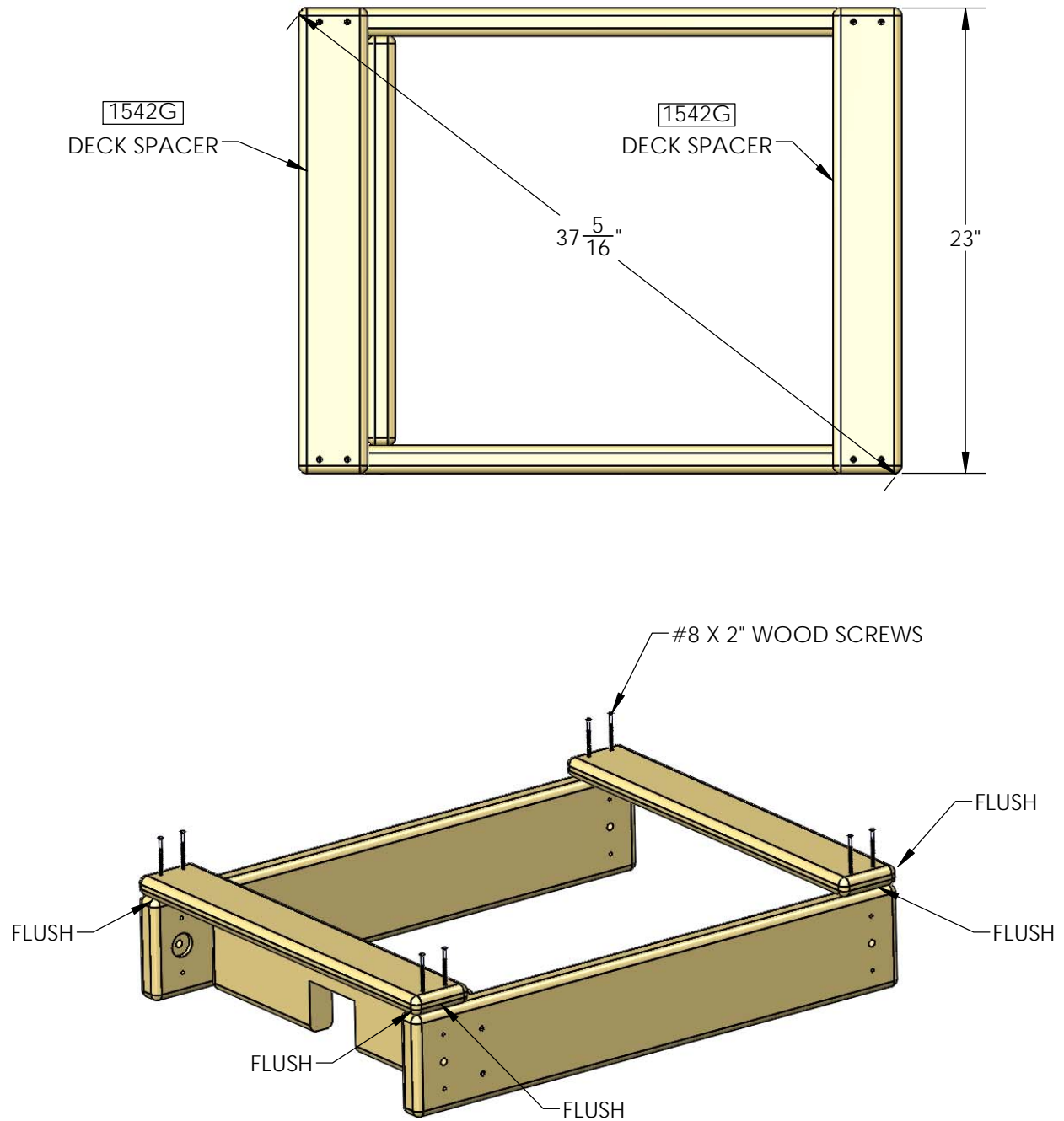


COUNTERBORED HOLES
TOWARDS THE INSIDE
OF THE FRAME.



STEP 2: DECK SPACERS

1: INSTALL DECK SPACER AS SHOWN BELOW.

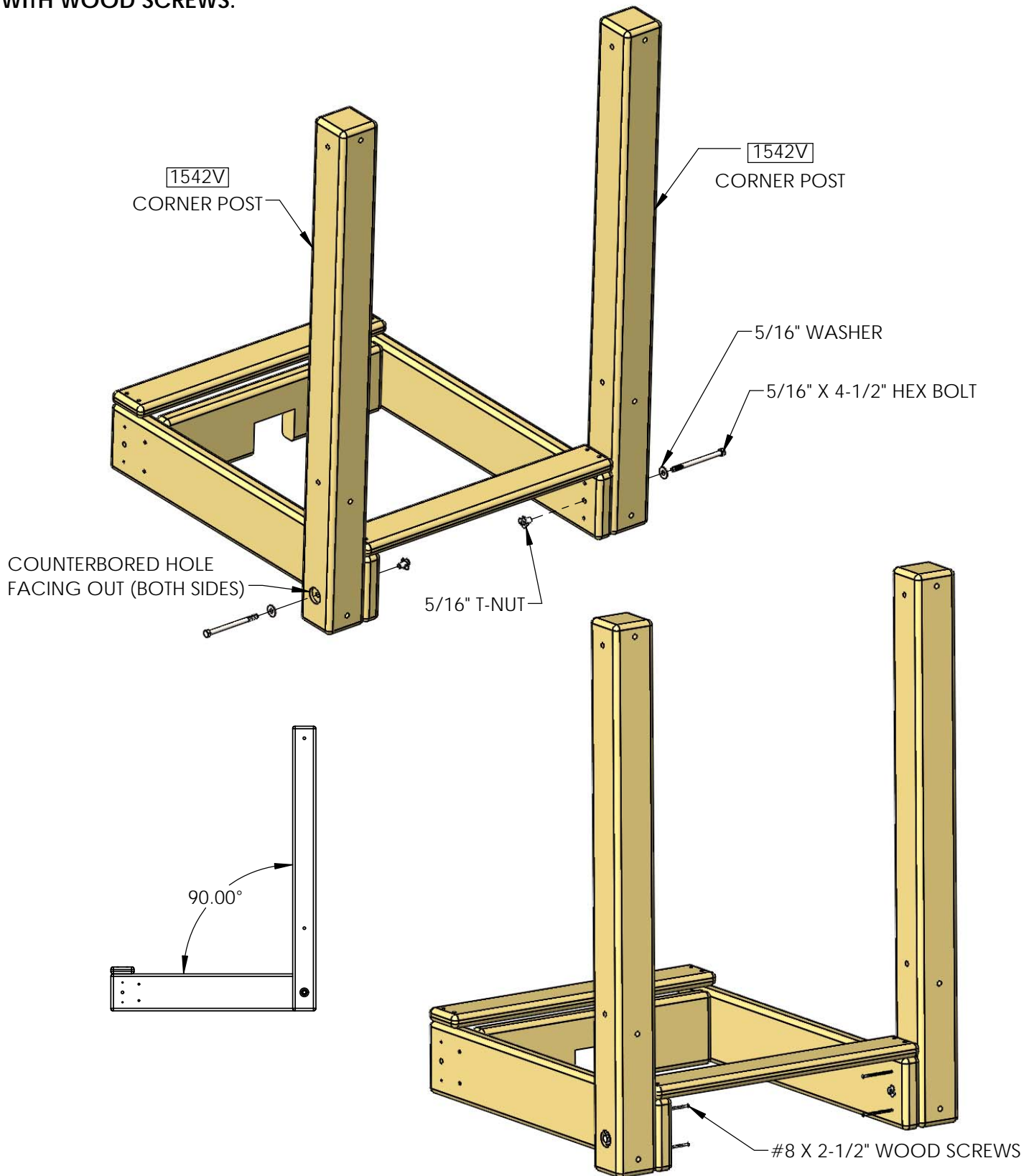


STEP 3: CORNER POSTS

1: INSTALL BOARDS AS SHOWN BELOW.

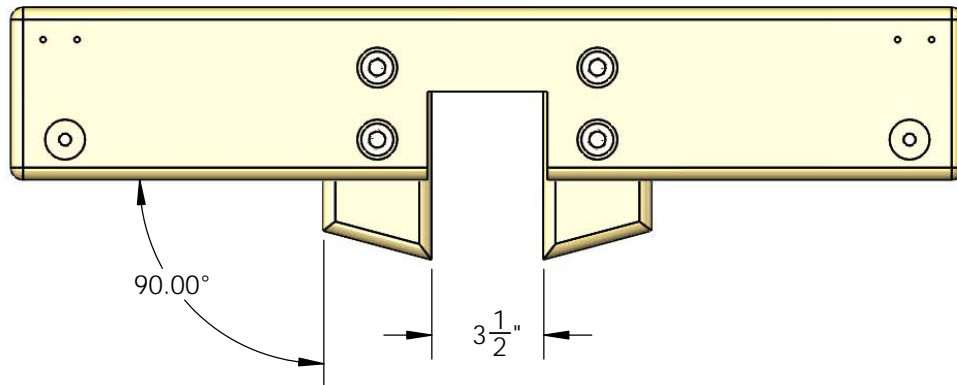
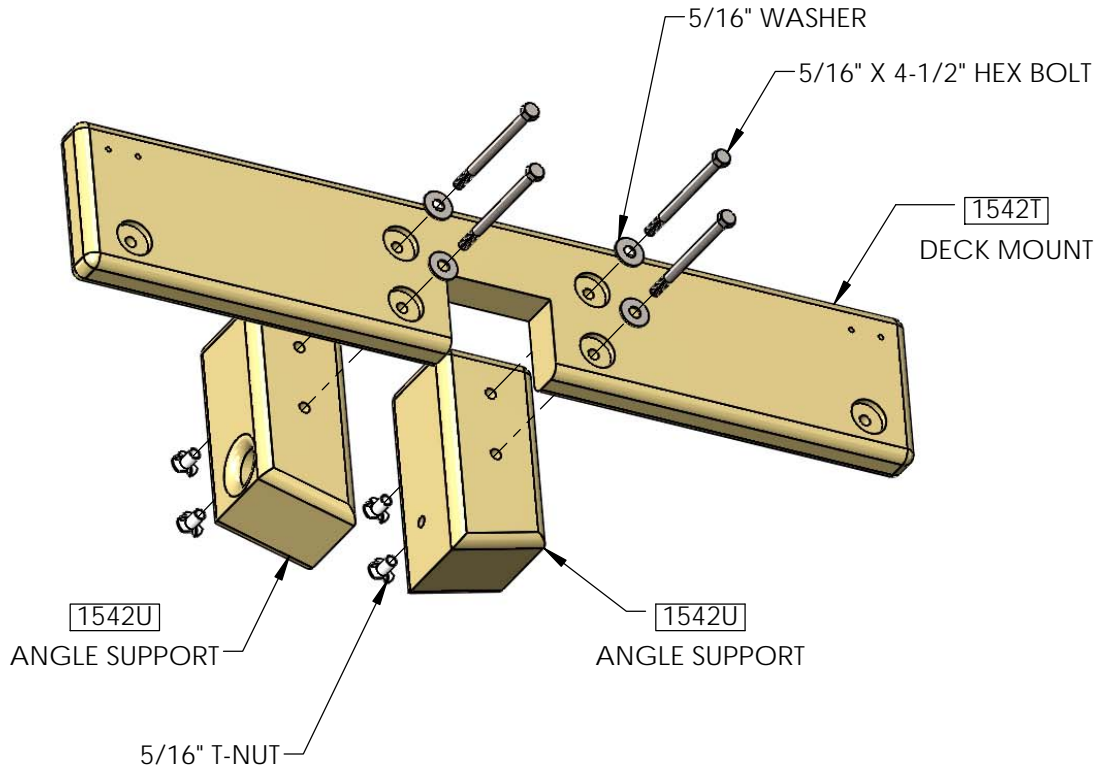
* NOTE POSITION OF COUNTERBORED HOLES.

* NOTE: CORNER POSTS, MUST BE 90 DEGREES FROM DECK SUPPORT BEFORE SECURING WITH WOOD SCREWS.



STEP 4: BRACES

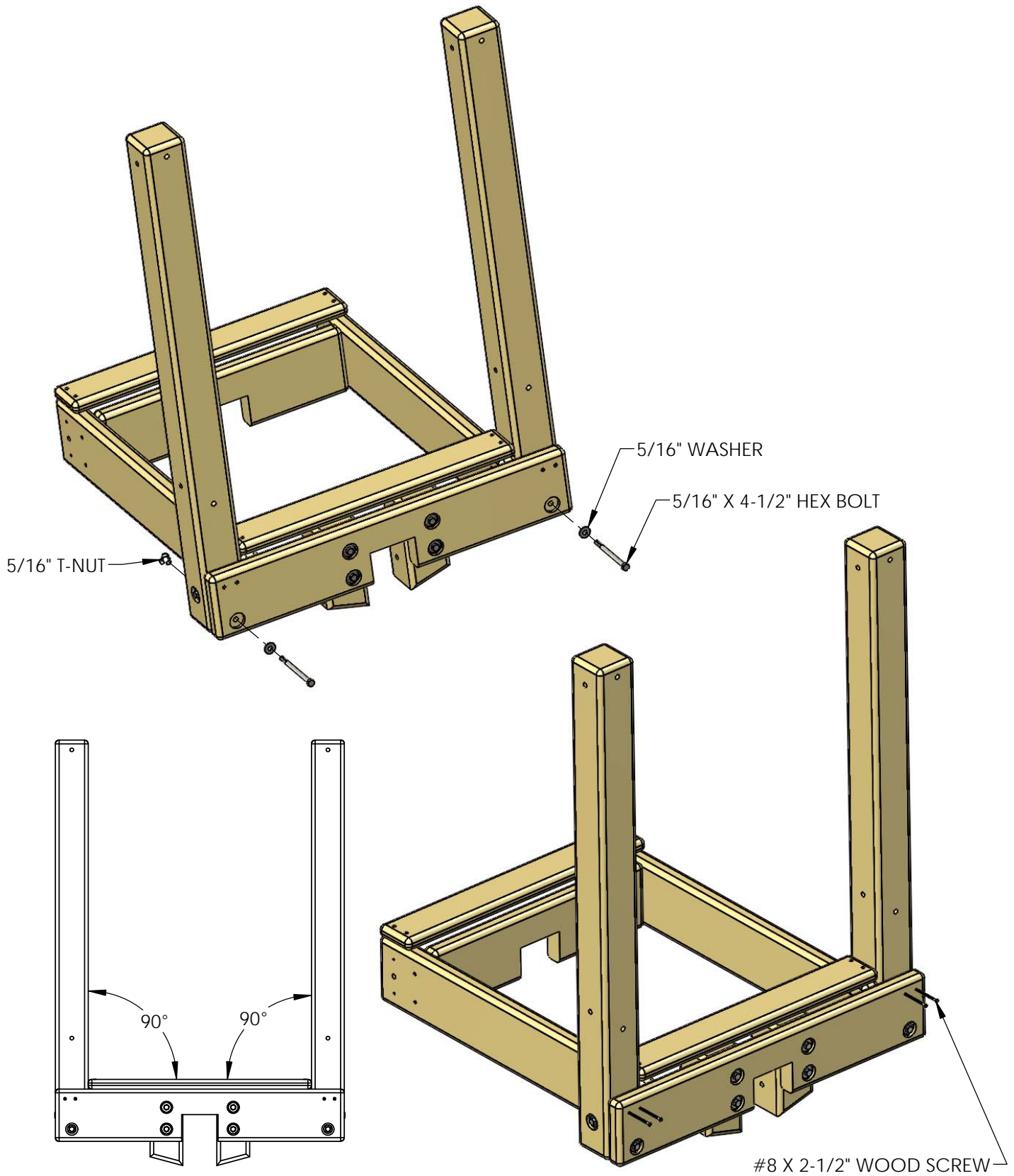
1: INSTALL BOARDS AS SHOWN BELOW.



STEP 5: ATTACHING BRACES TO DECK FRAME

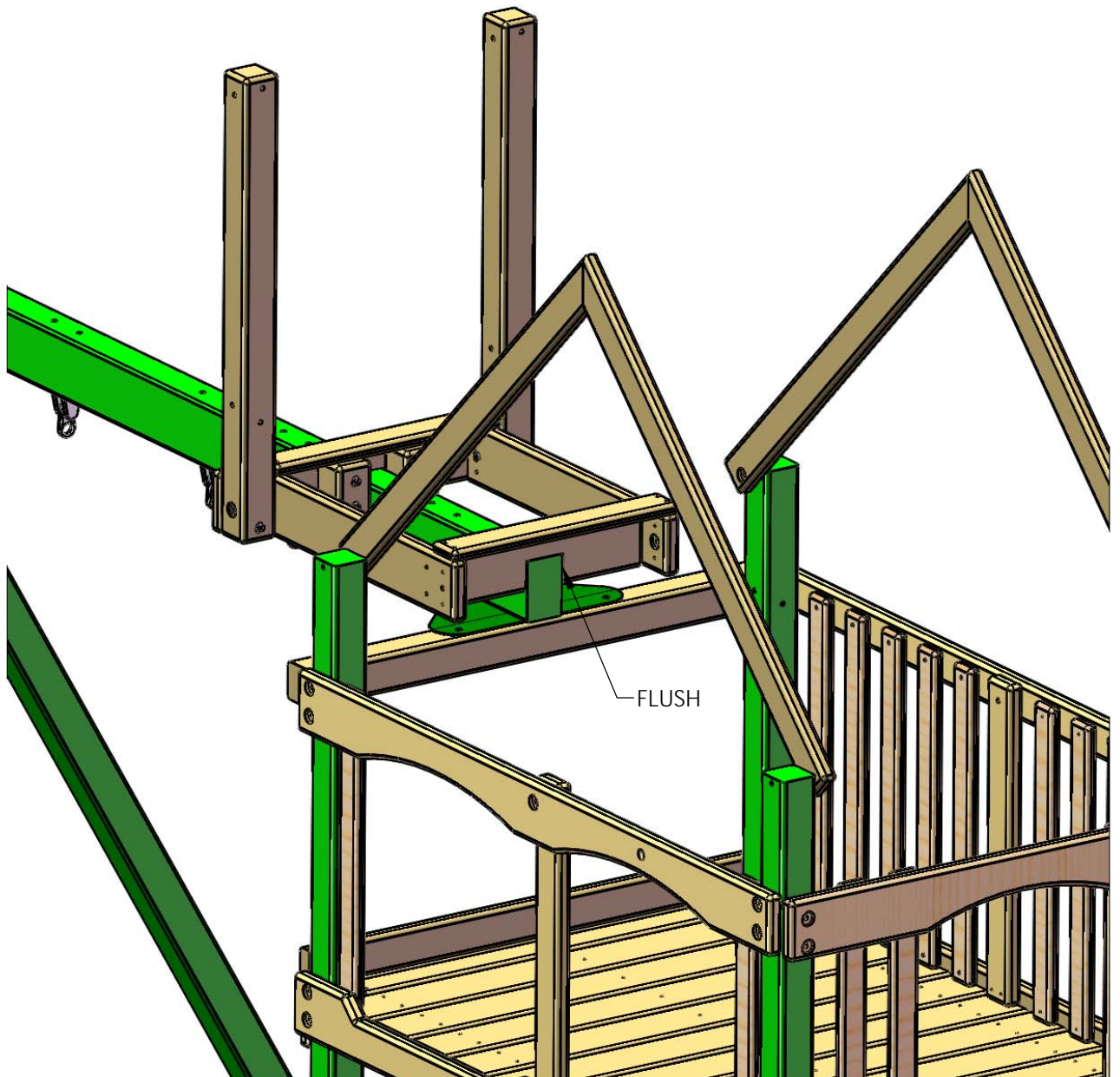
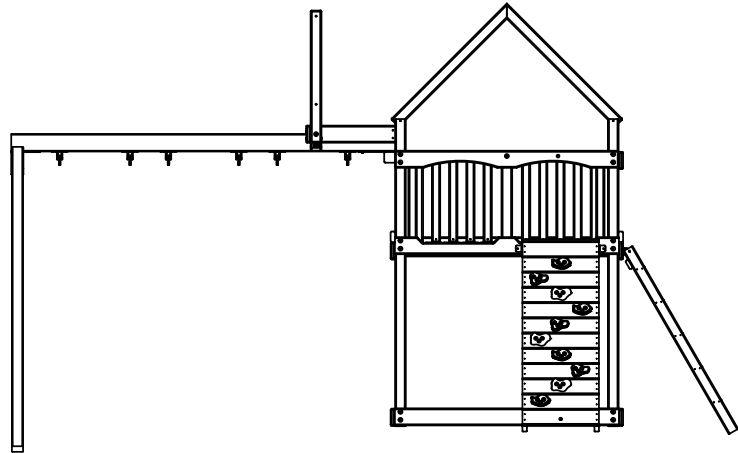
1: INSTALL BOARDS AS SHOWN BELOW.

NOTE: MAKE SURE CORNER POSTS ARE 90 DEGREES FROM DECK SUPPORT BEFORE SECURING WITH WOOD SCREWS.



STEP 5A: MOUNTING THE PLATFORM TO SWING BEAM

1: SET THE PLATFORM ON TOP OF THE SWING BEAM AND USE THE NOTCHES TO CENTER IT AS SHOWN BELOW.

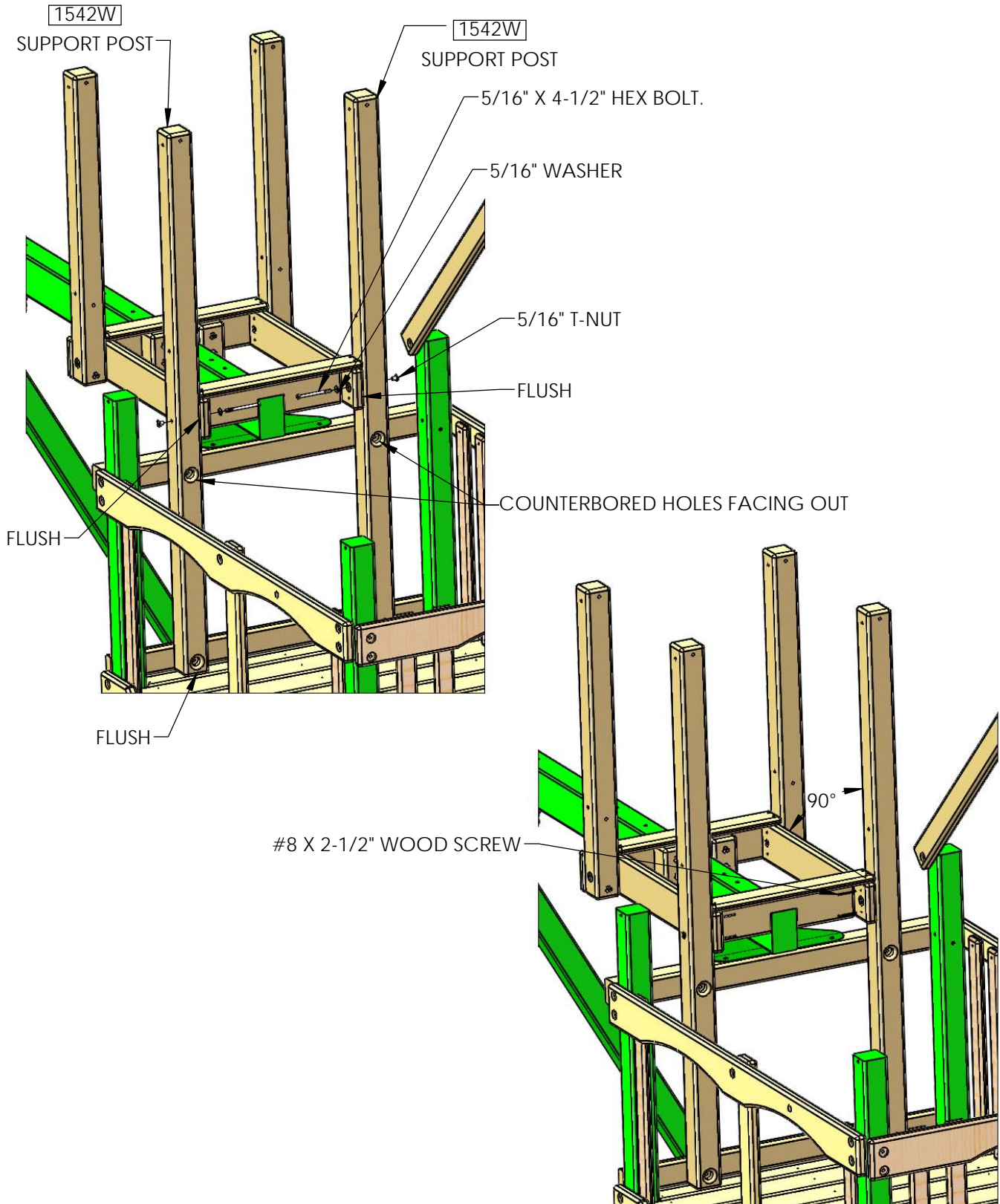


STEP 6: SUPPORT POSTS

1: ATTACH SUPPORT POSTS AS SHOWN BELOW.

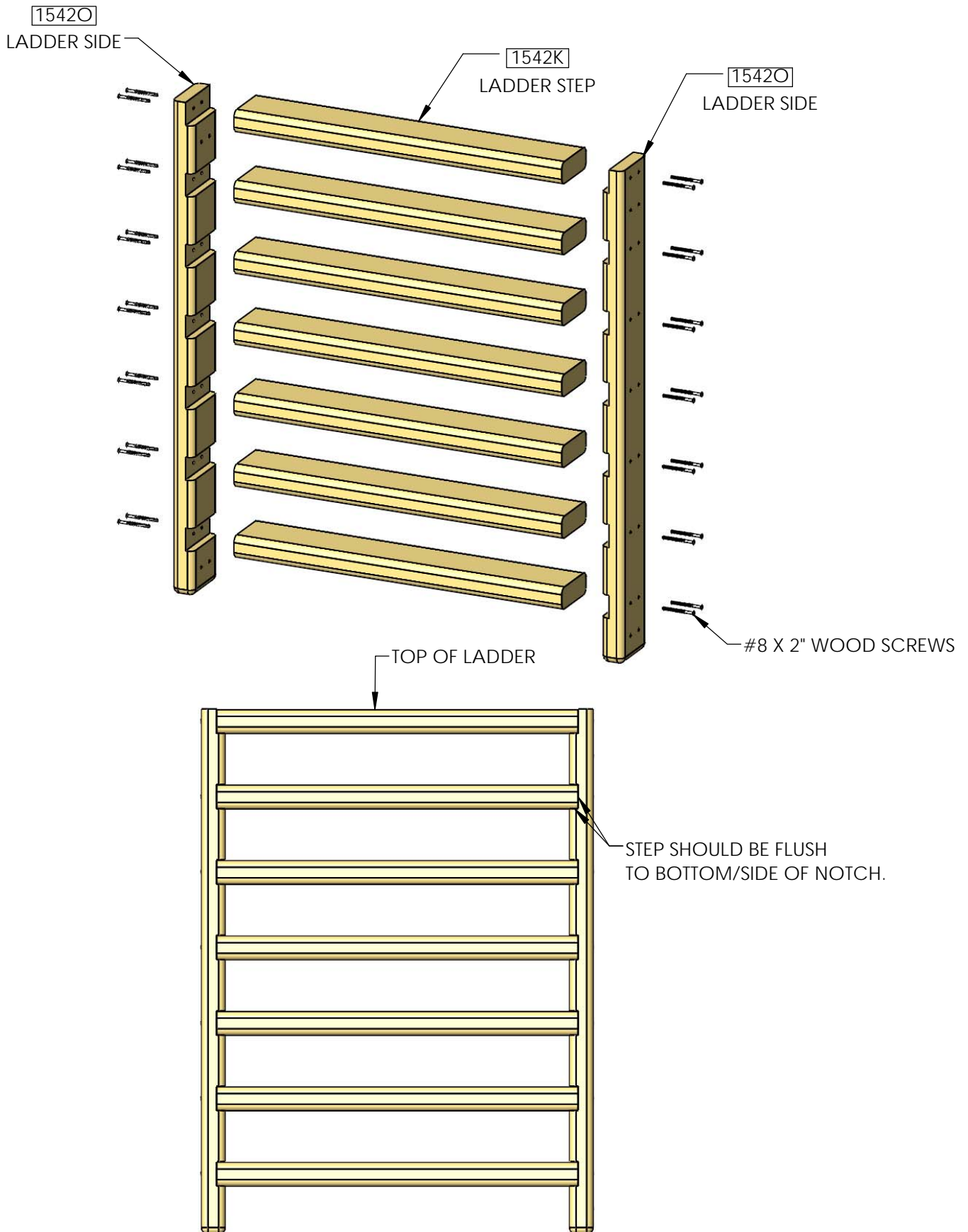
* NOTE: MAKE SURE SUPPORT POSTS ARE 90 DEGREES FROM DECK SUPPORT BEFORE SECURING WITH WOOD SCREWS.

* NOTE POSITION OF COUNTERBORED HOLES.



STEP 7: LADDER

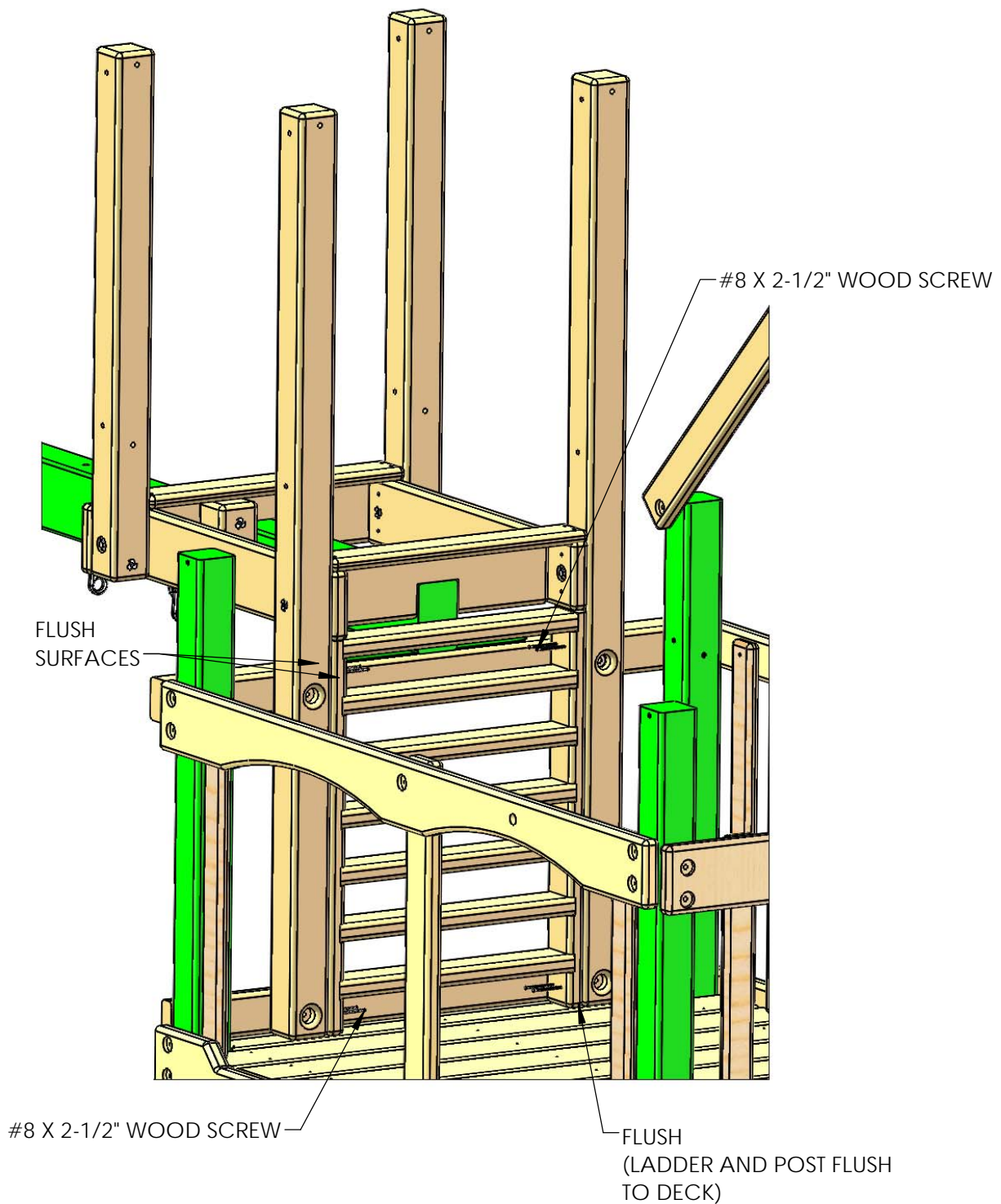
1: ASSEMBLE LADDER AS SHOWN BELOW:



STEP 8: ATTACHING LADDER TO POSTS.

1: ATTACH LADDER ASSEMBLY IN BETWEEN SUPPORT POSTS AS SHOWN BELOW.

NOTE: MAKE SURE LADDER ASSEMBLY IS FLUSH TO SUPPORT POSTS. THE BOTTOM OF THE LADDER AND THE BOTTOM OF THE SUPPORT POST SHOULD BE SITTING ON TOP OF DECK BEFORE SECURING WITH WOOD SCREWS.

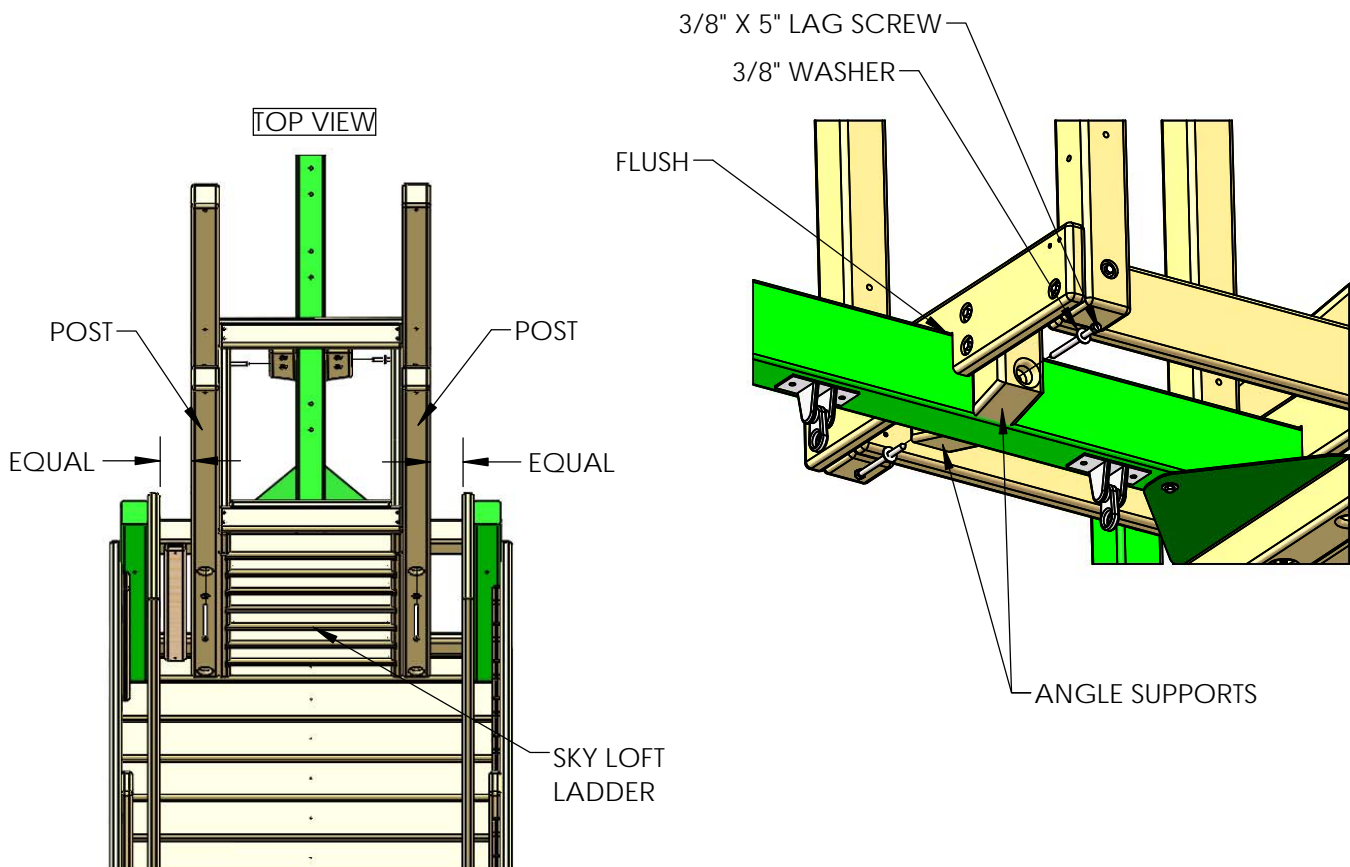
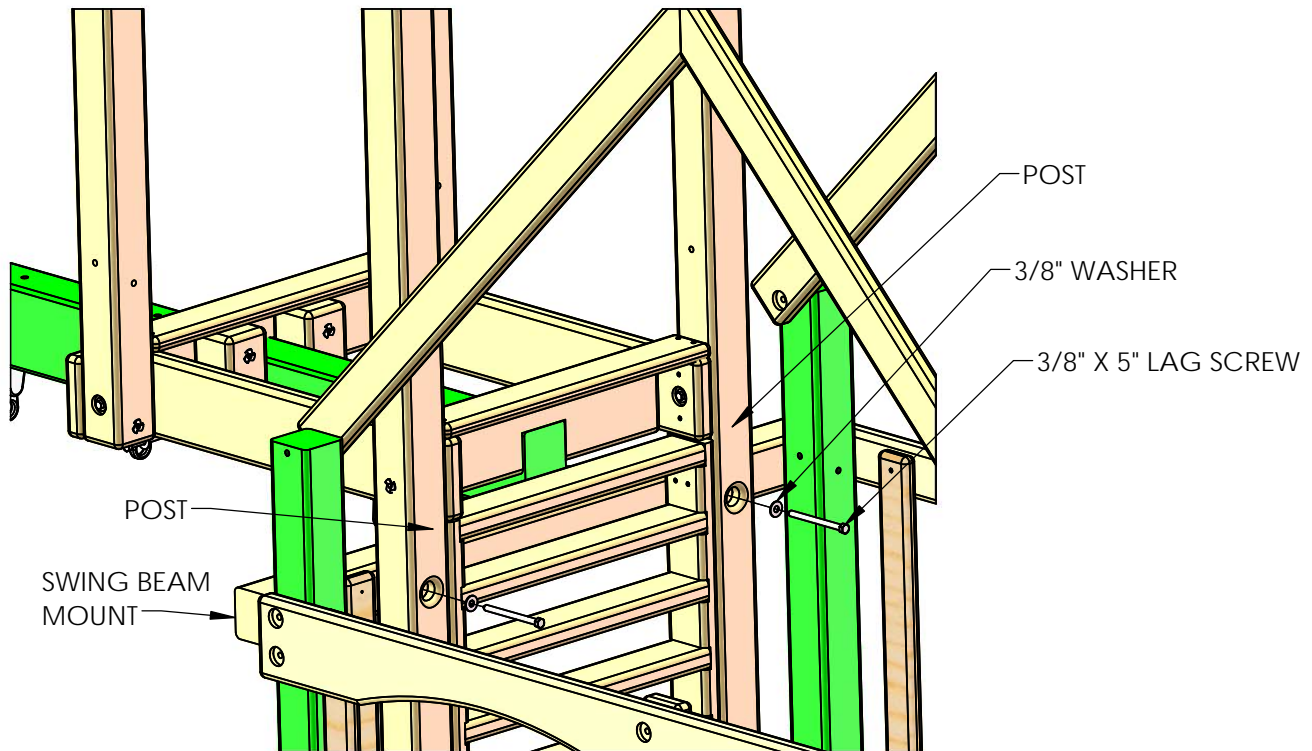


STEP 9: SECURING TO FORT.

IMPORTANT - CENTER THE POSTS EQUALLY BEFORE INSTALLING LAG SCREWS INTO POSTS. PRE-DRILL 11/64" PILOT HOLES AT ALL LOCATIONS BEFORE INSTALLING LAG SCREWS.

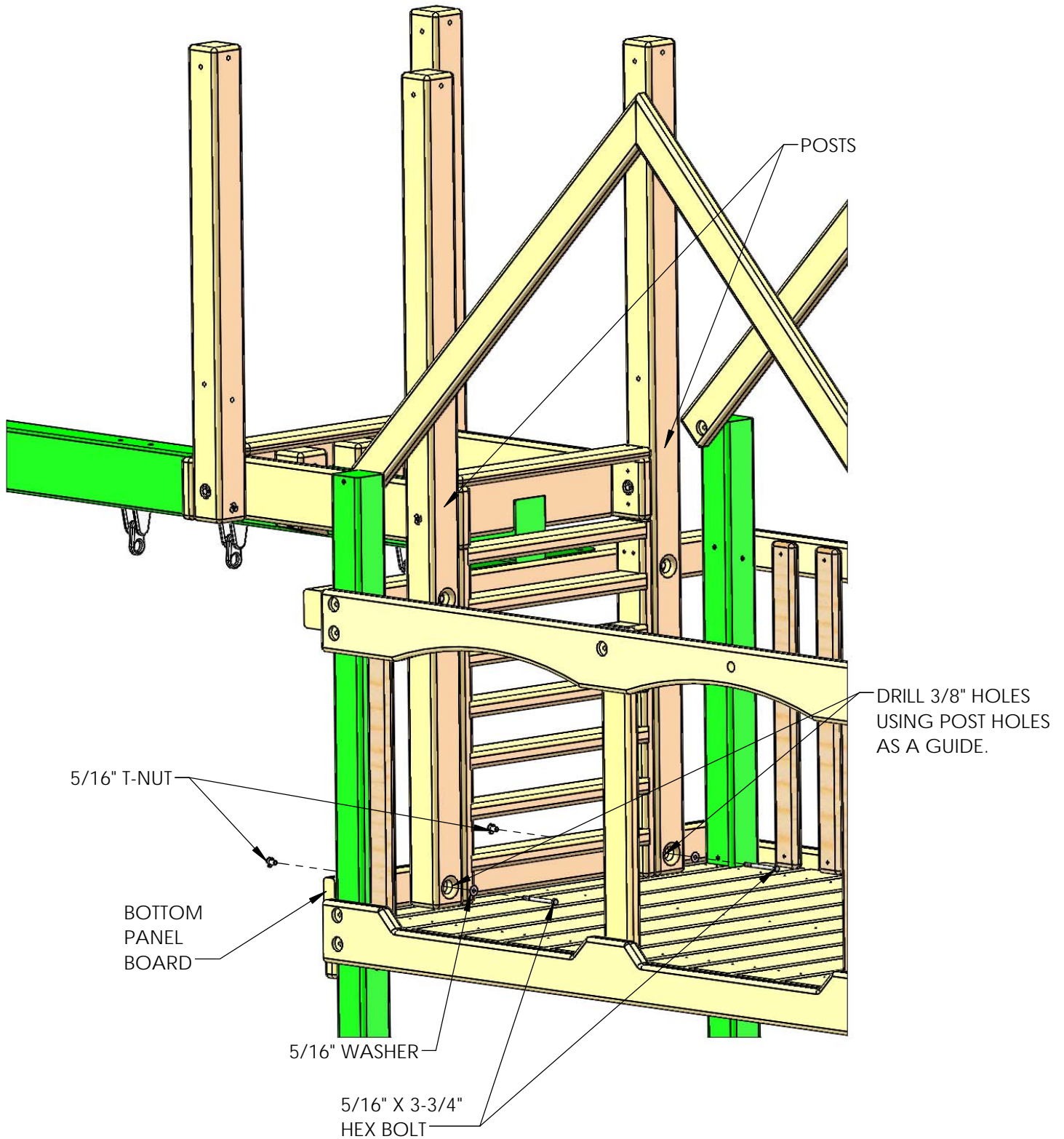
1: SECURE SUPPORT POSTS TO SWING BEAM MOUNT AS SHOWN BELOW.

2: SECURE ANGLE SUPPORTS TO SWING BEAM AS SHOWN BELOW.



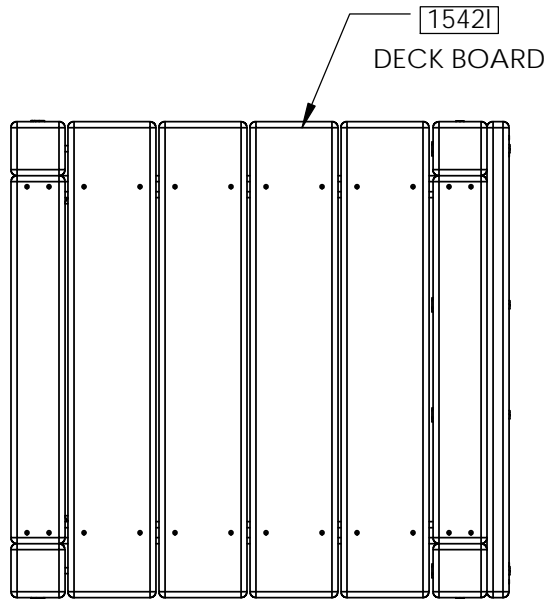
STEP 9A: POST BOTTOM ATTACHMENT

- 1: CAREFULLY DRILL 3/8" HOLES THROUGH THE BOTTOM PANEL BOARD USING THE POST HOLES AS A GUIDE.
- 2: INSTALL T-NUTS.
- 3: FASTEN AS SHOWN.

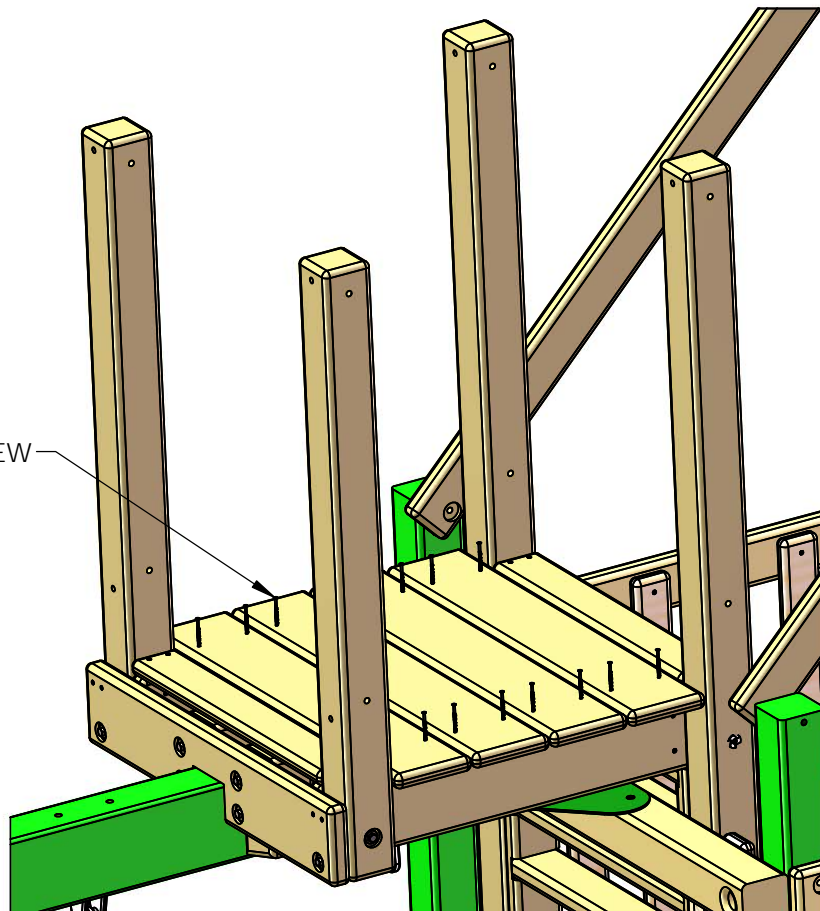


STEP 10: DECK BOARDS

1: PLACE ALL DECK BOARDS ON DECK SUPPORTS FIRST. MAKE SURE ALL BOARDS ARE EVENLY SPACED AND FLUSH TO THE CORNER POSTS.



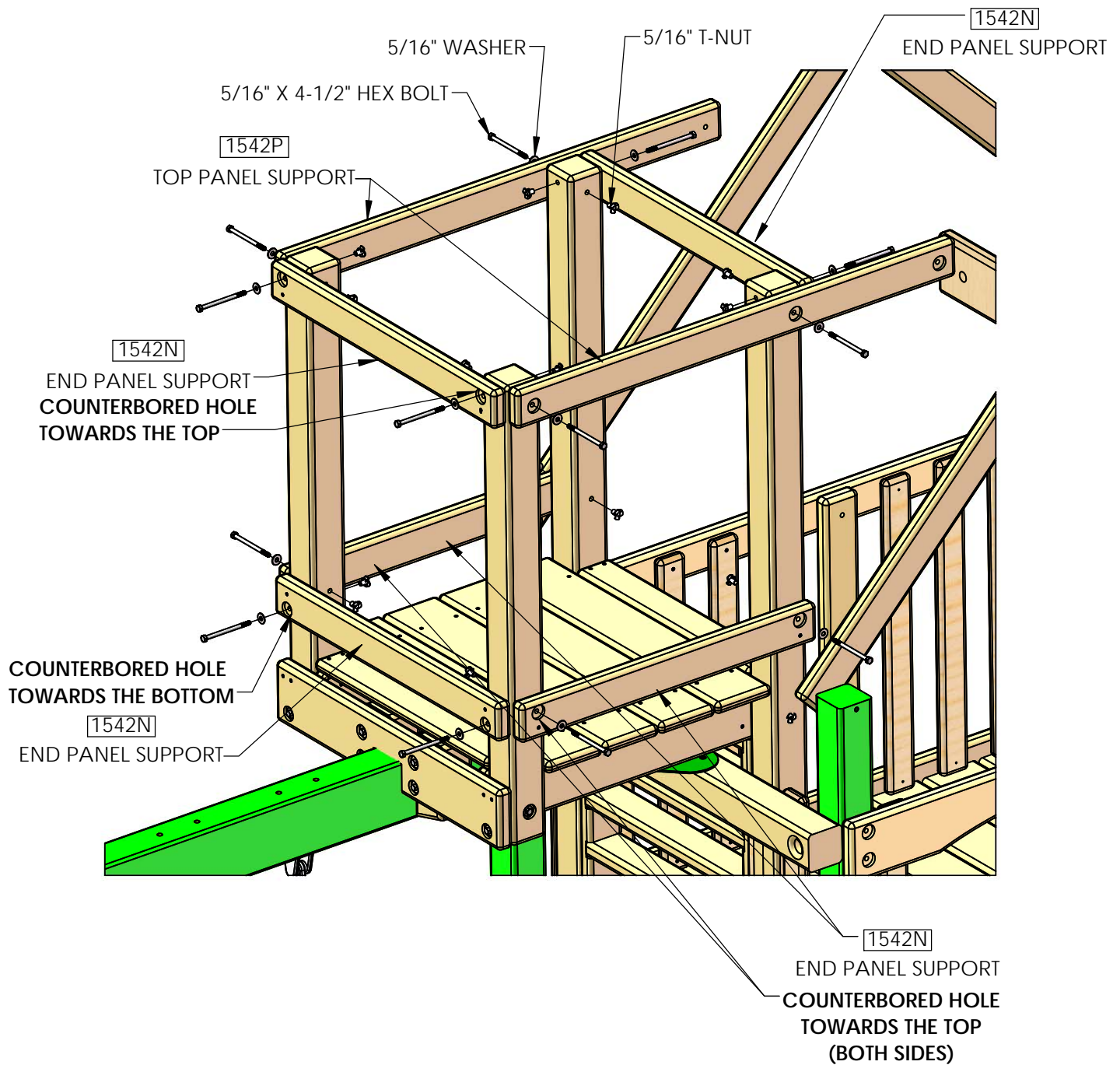
#8 X 2" WOOD SCREW



STEP 11: ATTACHING PANEL SUPPORTS

1: INSTALL BOARDS AS SHOWN BELOW.

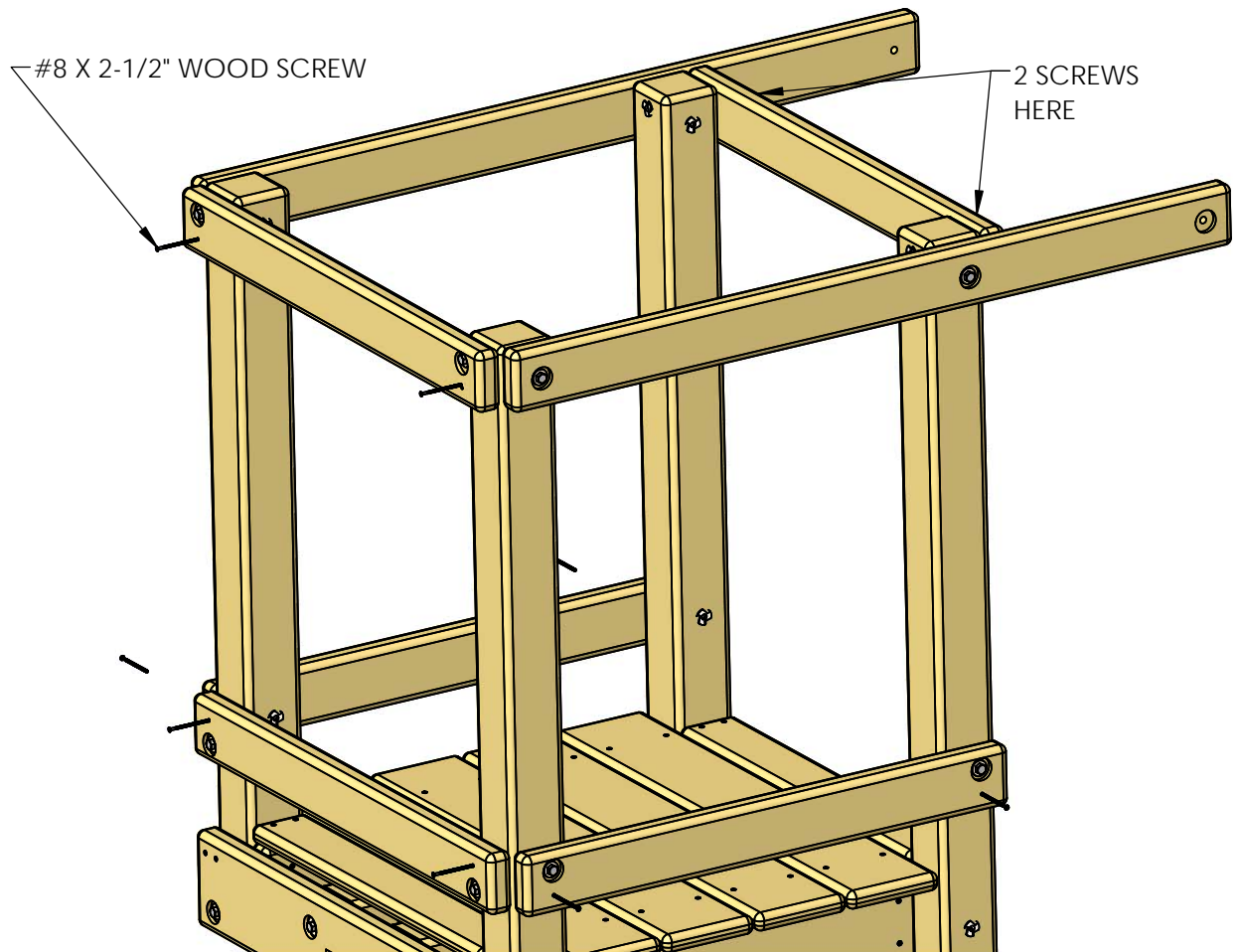
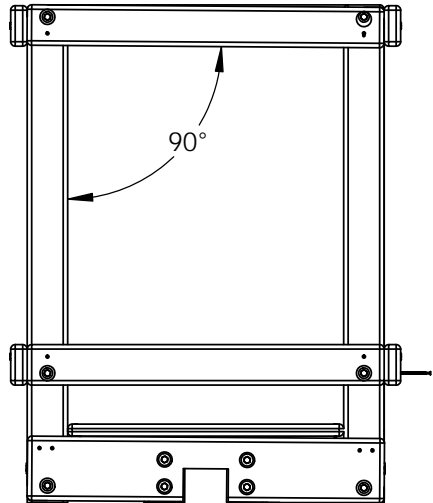
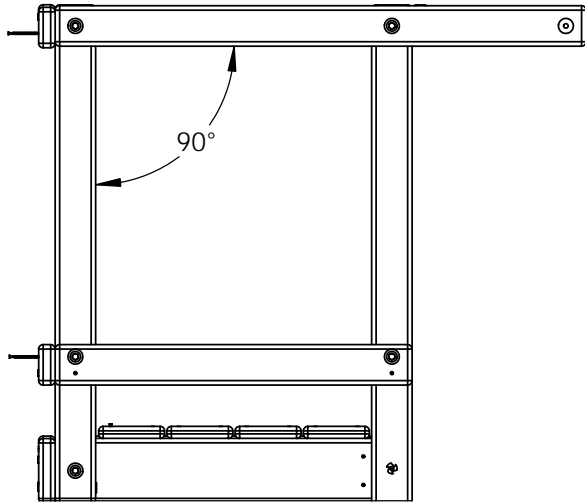
* NOTE COUNTERBORED HOLE POSITIONS.



STEP 11A: SECURING RAILS.

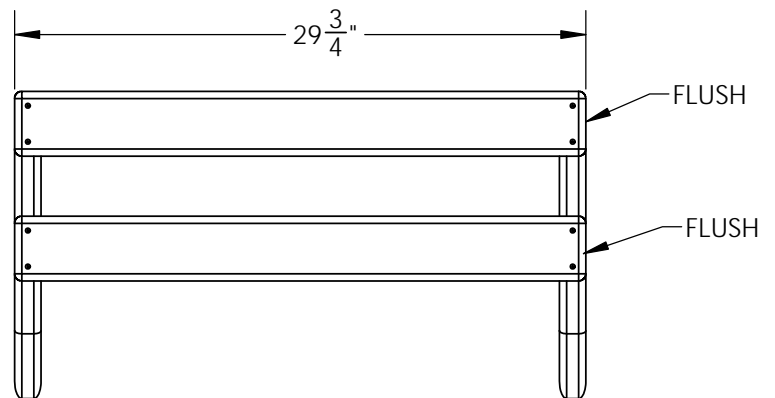
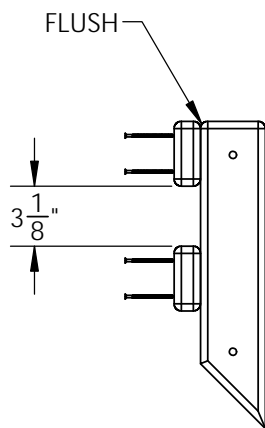
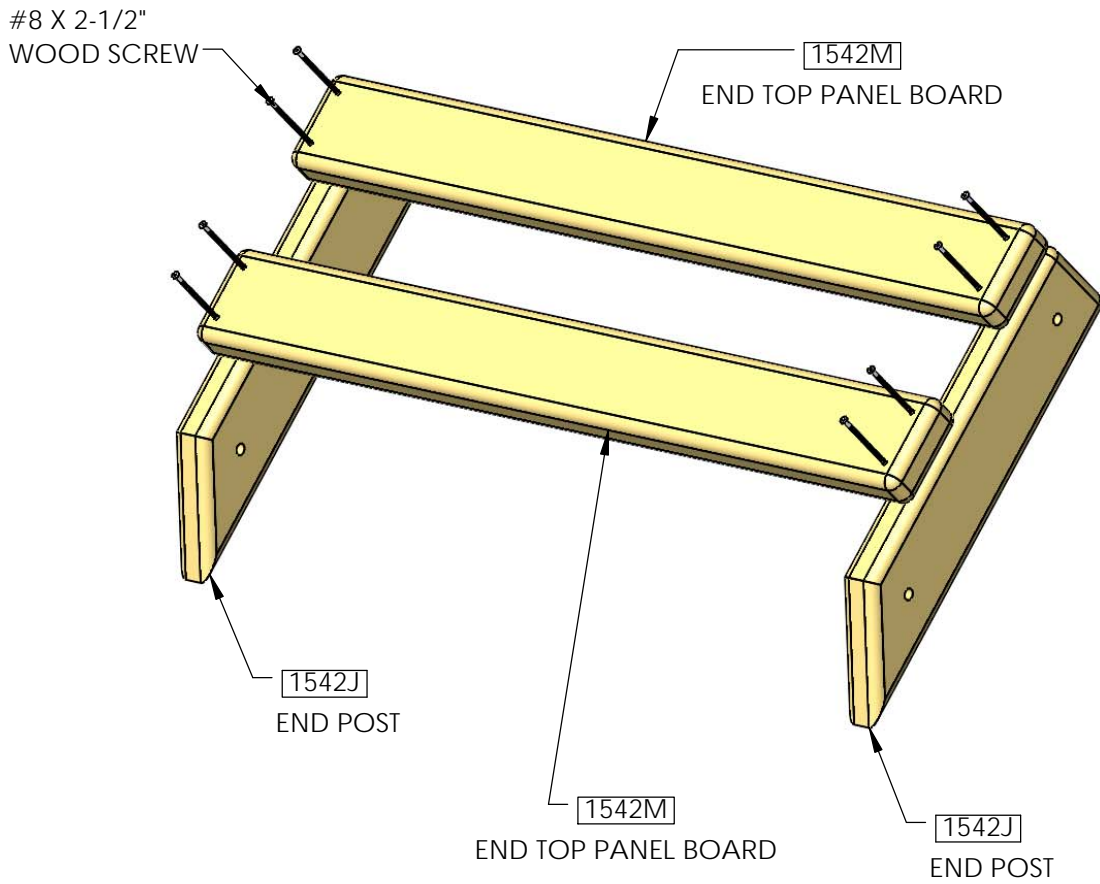
1: ENSURE ALL RAILS ARE SQUARE BEFORE SECURING TO THE POSTS.

2: SECURE WITH WOOD SCREWS.



STEP 12: FRONT PANEL ASSEMBLY

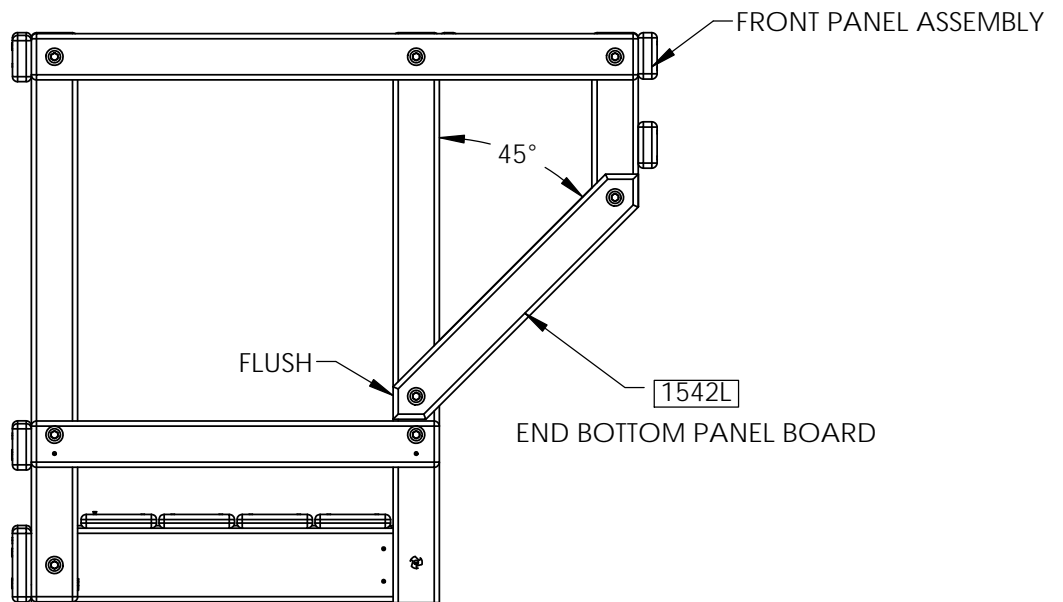
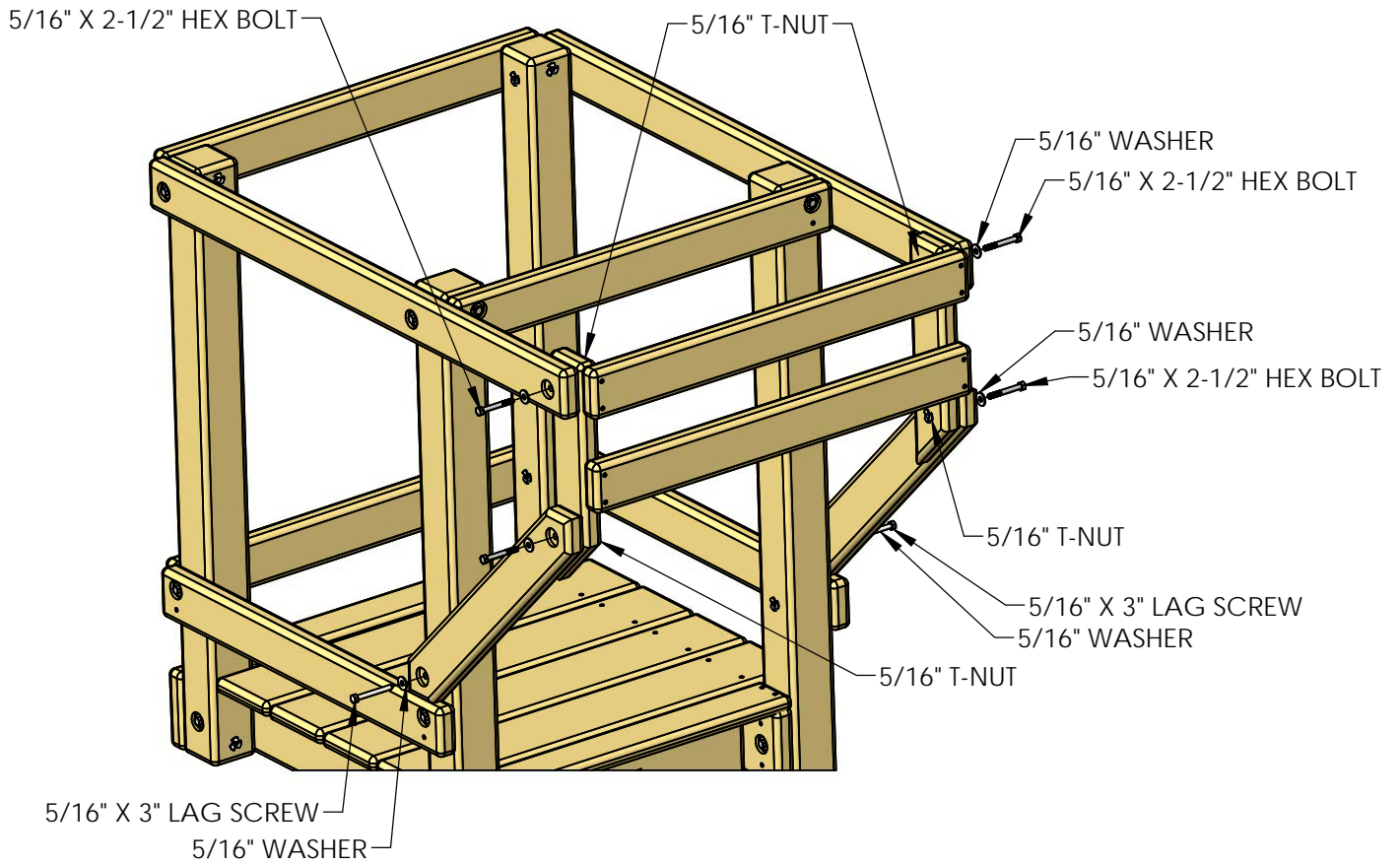
1: INSTALL BOARDS AS SHOWN BELOW.



STEP 13: FRONT PANEL & BOTTOM PANEL BOARD

1: INSTALL T-NUTS ON THE INSIDE OF THE END POSTS WHERE SHOWN.

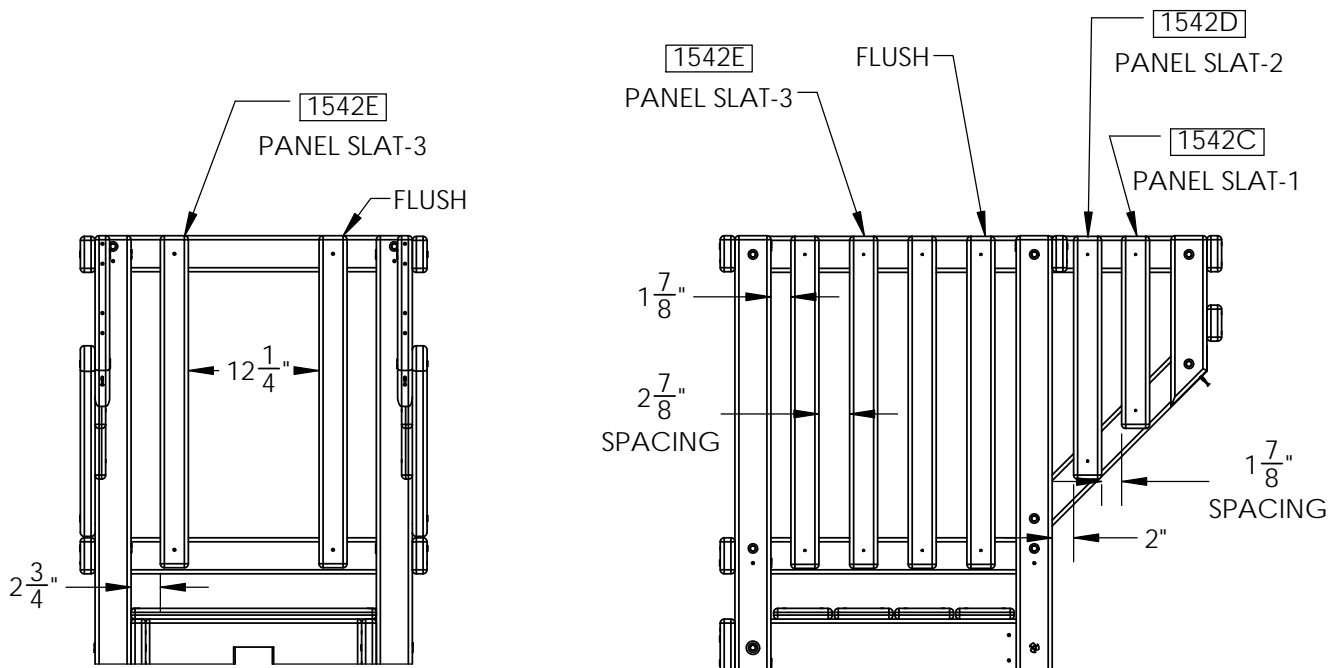
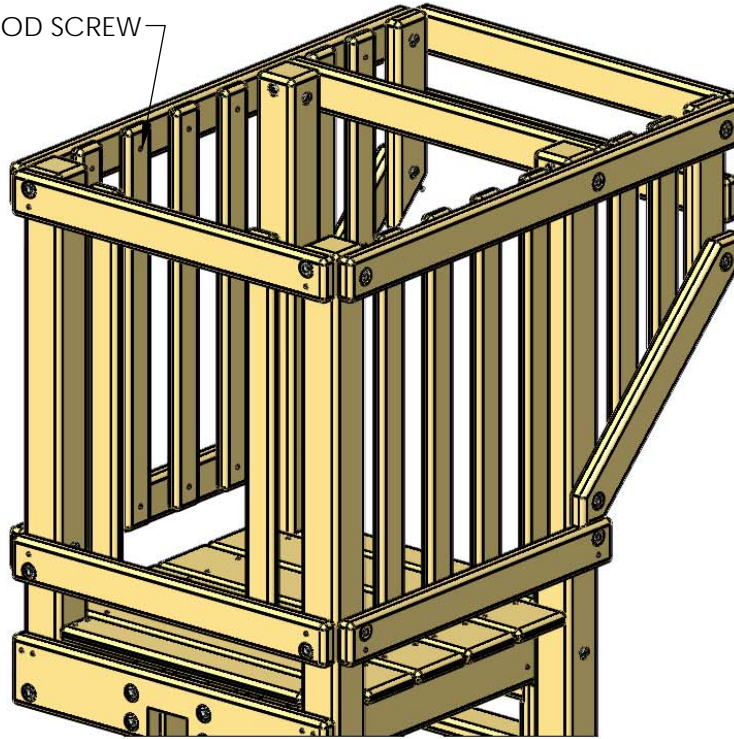
2: INSTALL BOARDS AS SHOWN BELOW.



STEP 14: PANEL SLATS

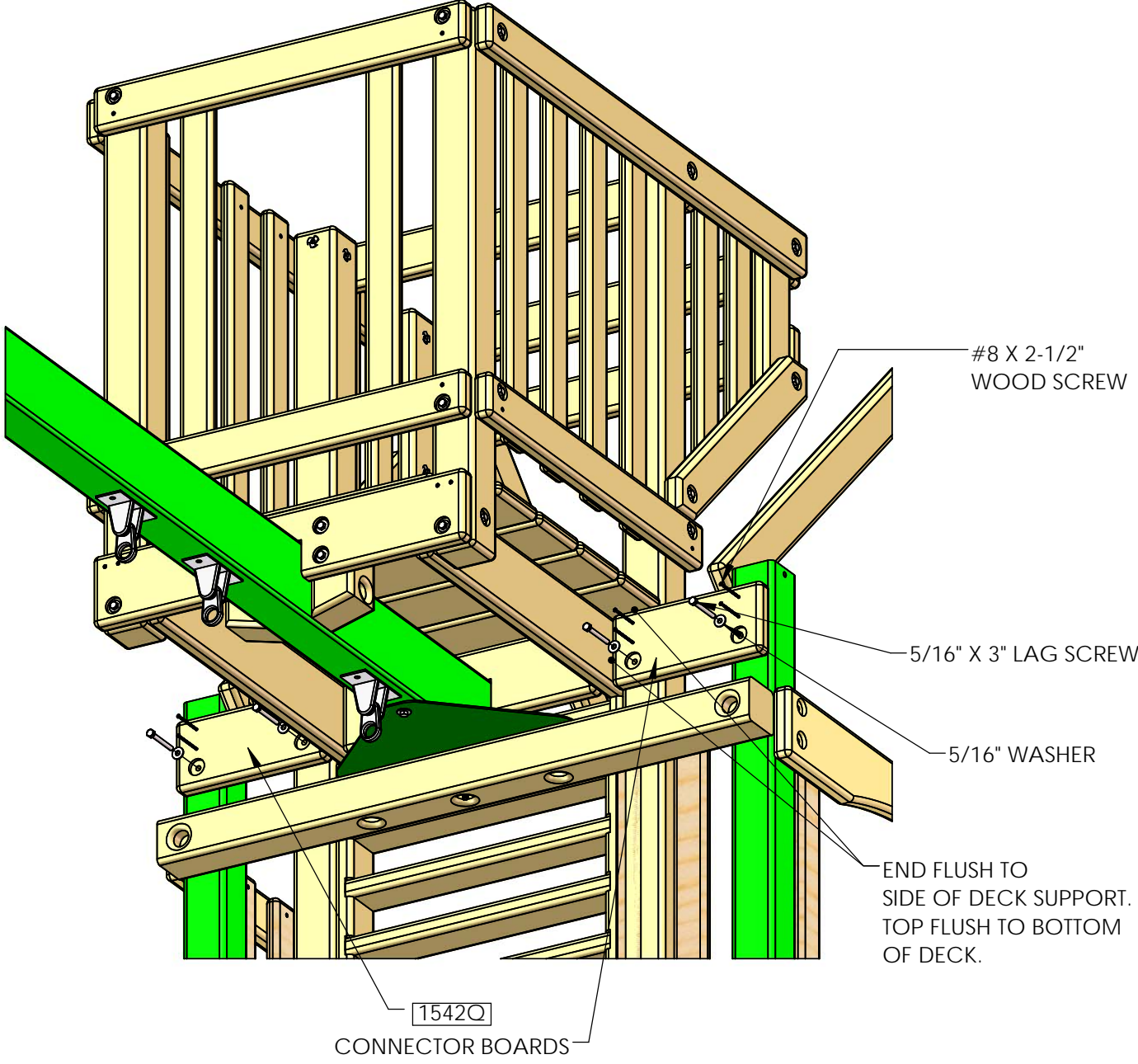
1: INSTALL PANEL SLATS AS SHOWN BELOW.

#8 X 2" WOOD SCREW



STEP 15: CONNECTOR BOARDS TO FORT

1: INSTALL BOARDS AS SHOWN BELOW.

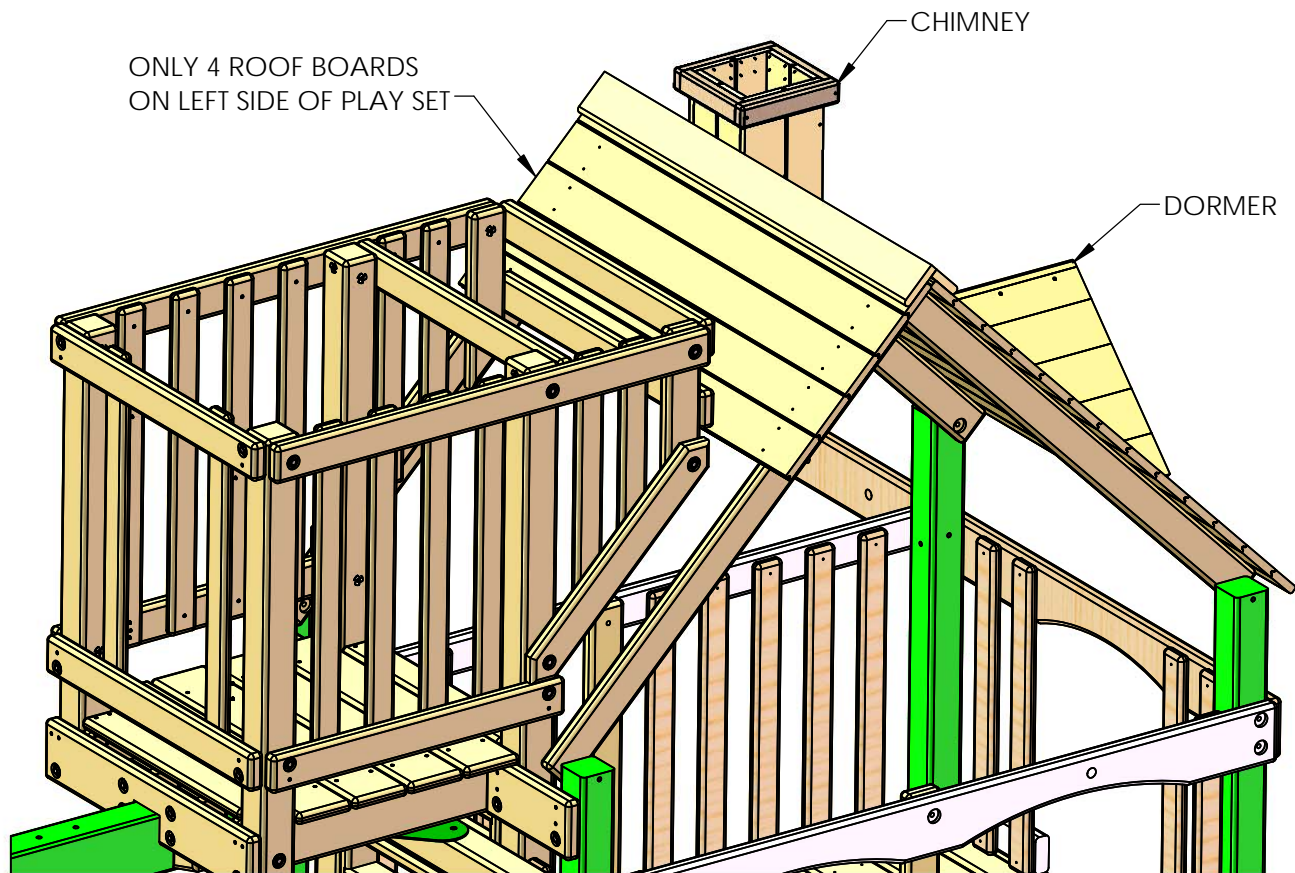


STEP 16: INSTALLING PLAY SET WOOD ROOF

1: COMPLETE WOOD ROOF INSTALLATION ON THE RIGHT SIDE OF YOUR PLAY SET AS SHOWN IN YOUR MAIN PLAY SET INSTRUCTION MANUAL.

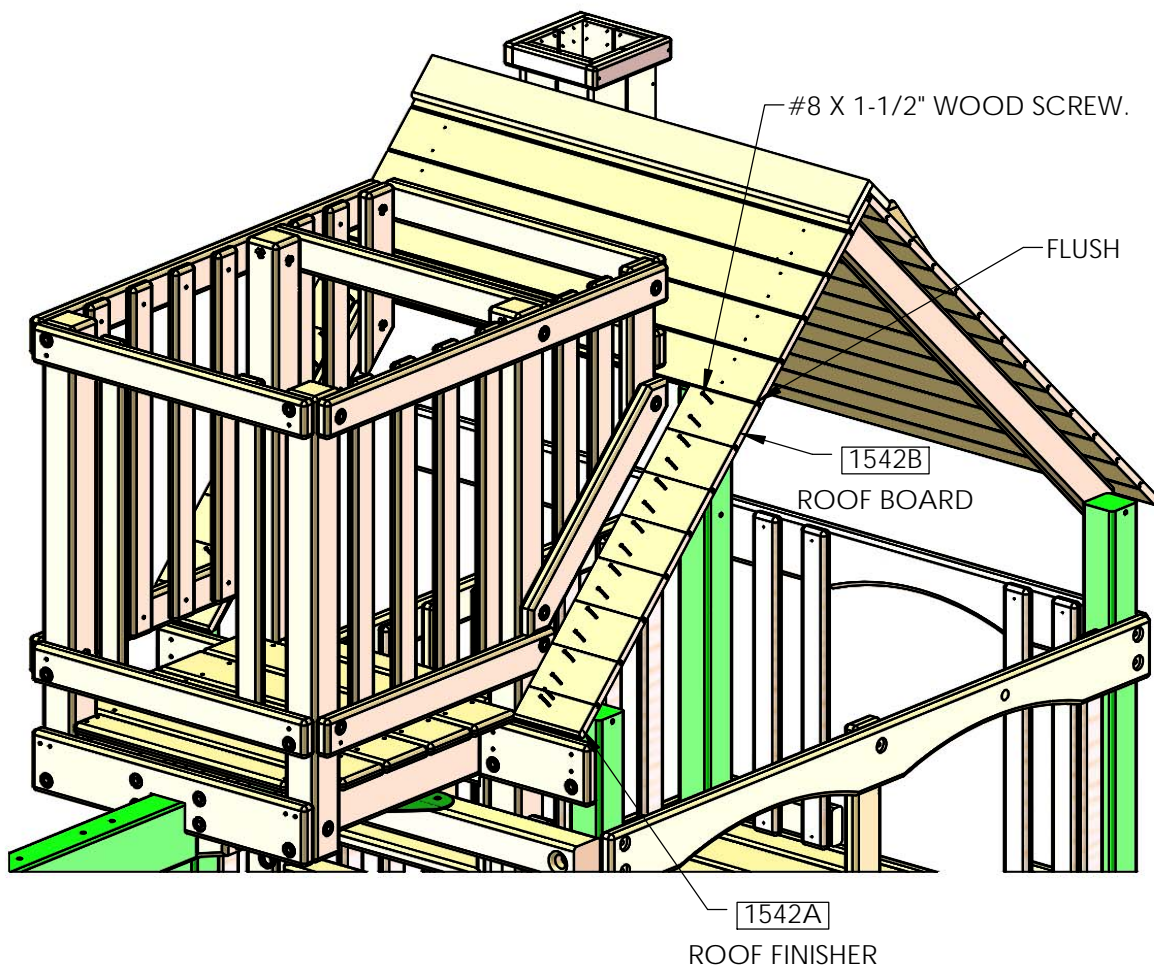
2: THE CHIMNEY WILL BE INSTALLED ON THE RIGHT SIDE OF THE ROOF AS SHOWN BELOW.

3: INSTALL 4 ROOF BOARDS ON THE LEFT SIDE OF YOUR PLAY SET AS SHOWN BELOW.
NOTE: THERE WILL BE NO DORMER INSTALLED ON THE LEFT SIDE OF THE ROOF. ONE DORMER WILL BE LEFT OVER AFTER THE ROOF IS COMPLETED.



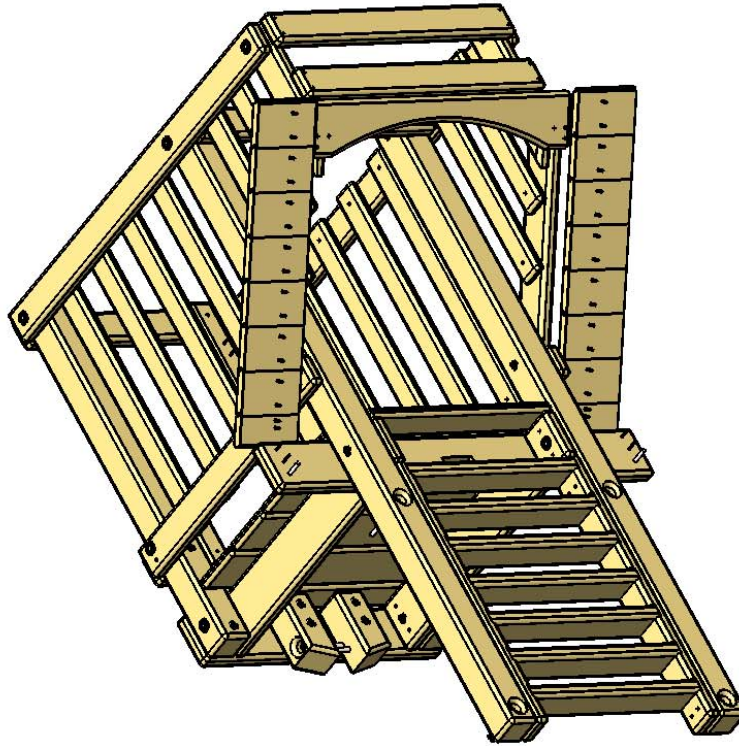
STEP 16A: SKY LOFT WOOD ROOF.

1: INSTALL ROOF BOARDS AS SHOWN BELOW.



STEP 17: ENTRY BOARD

1: INSTALL ENTRY BOARD BETWEEN THE SHORT ROOF BOARDS, FLUSH TO THE BOTTOM OF THE LONG ROOF BOARD.

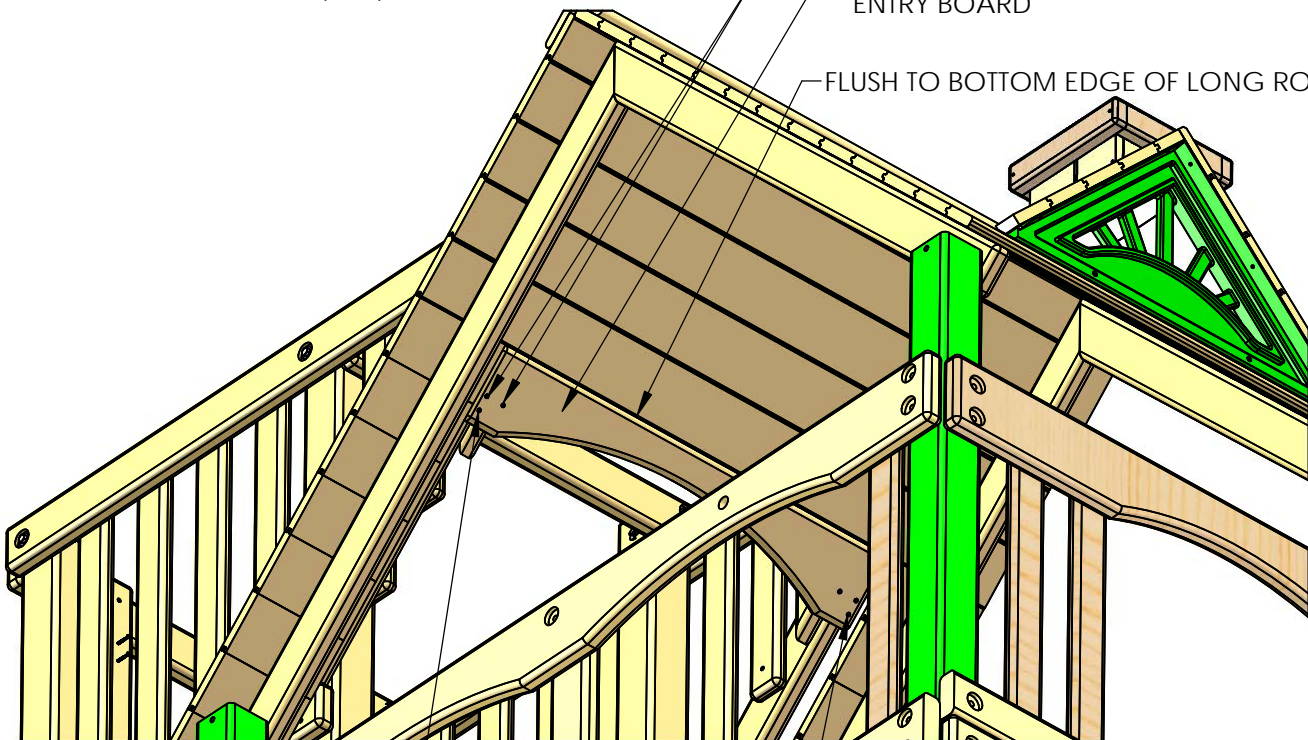


#8 X 2" WOOD SCREWS
(TOP)

1542H

ENTRY BOARD

FLUSH TO BOTTOM EDGE OF LONG ROOF BOARD.



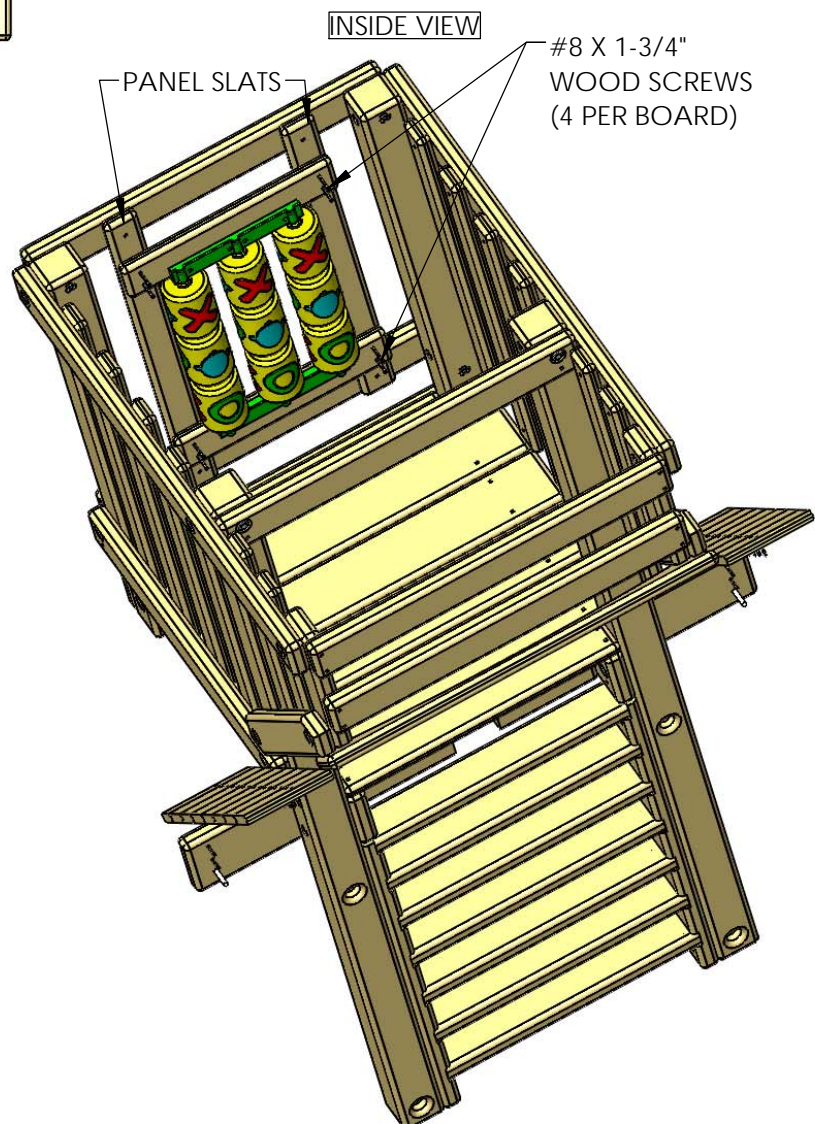
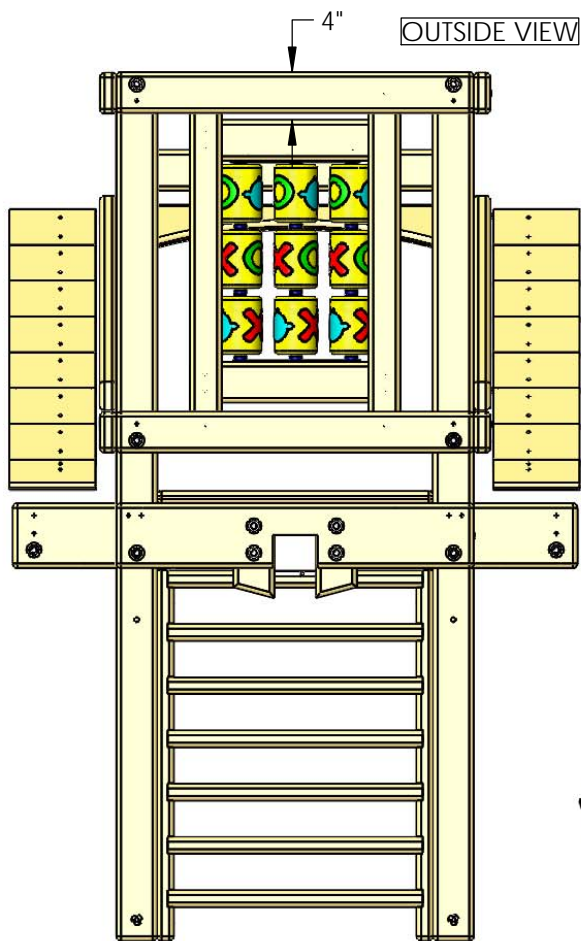
#8 X 2-1/2" WOOD SCREW
(BOTTOM)

STEP 17B: TIC TAC TOE ASSEMBLY

1: PLACE THE TIC TAC TOE ASSEMBLY ON THE INSIDE OF THE PANEL SLATS AS SHOWN IN THE BOTTOM IMAGE.

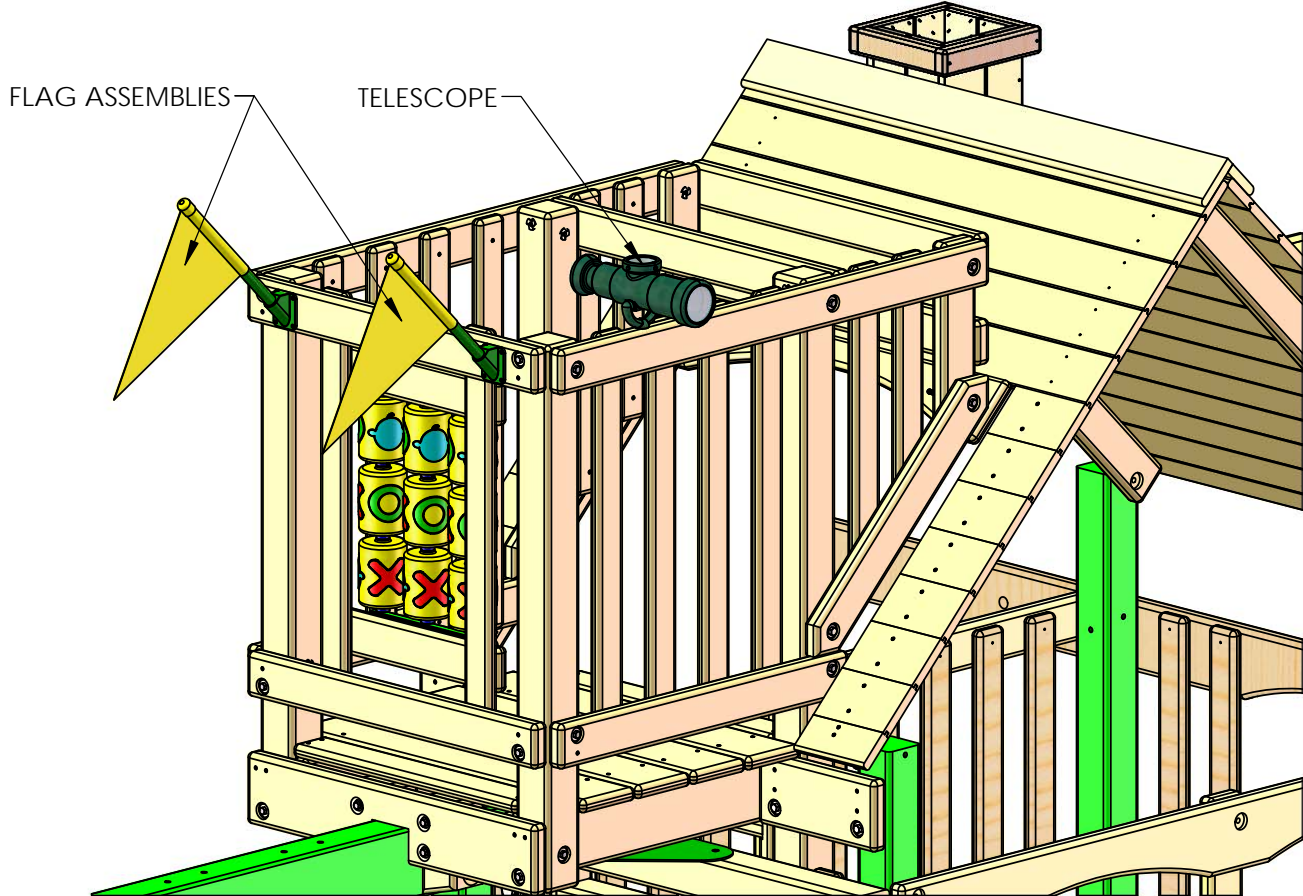
2: PLACE THE TOP OF THE TIC TAC TOE BOARD 4" DOWN FROM THE TOP OF THE PANEL SLAT.

3: FASTEN AS SHOWN.

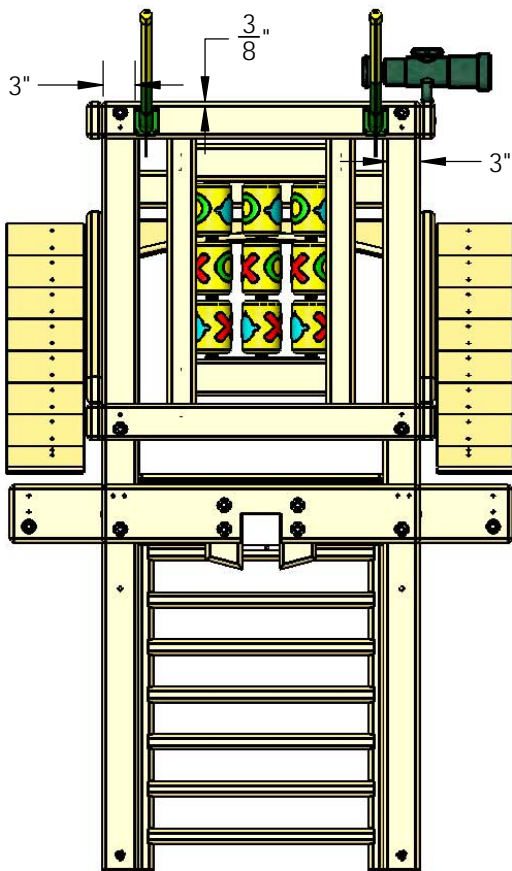


STEP 18: ACCESSORIES

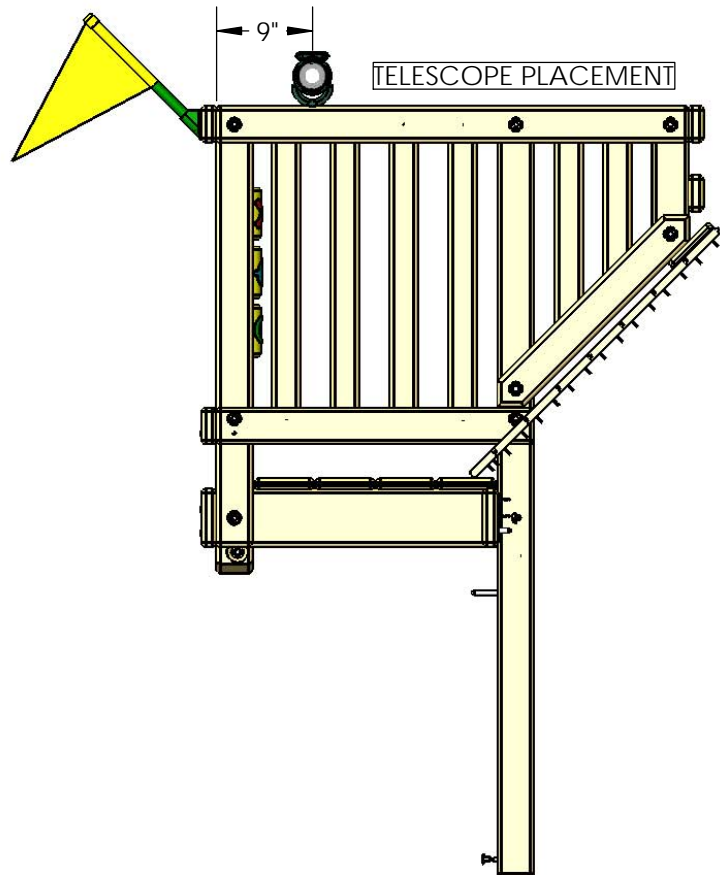
1: INSTALL THE ACCESSORIES BELOW USING THE INSTRUCTIONS INCLUDED WITH THEM FOR ASSEMBLY. USE THE BOTTOM IMAGES BELOW FOR PLACEMENT.



FLAG PLACEMENT

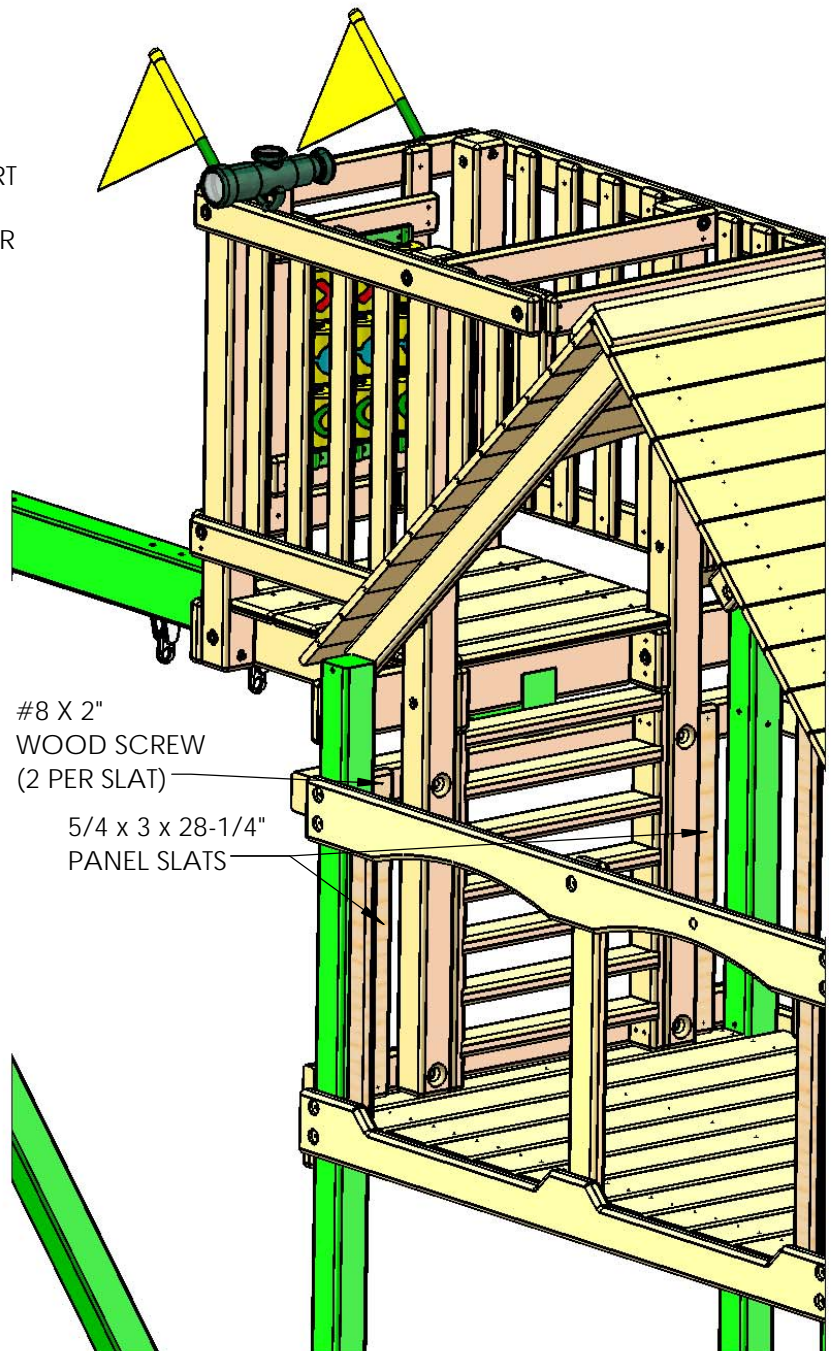
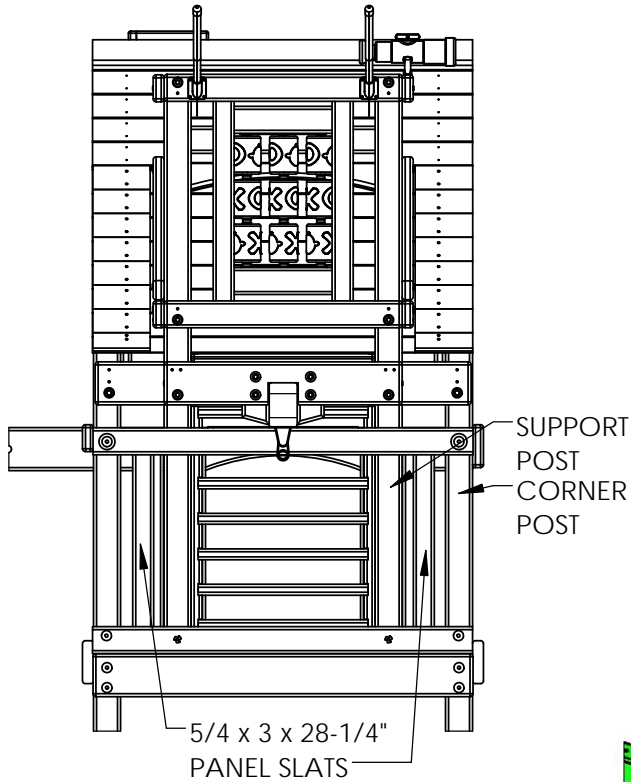


TELESCOPE PLACEMENT



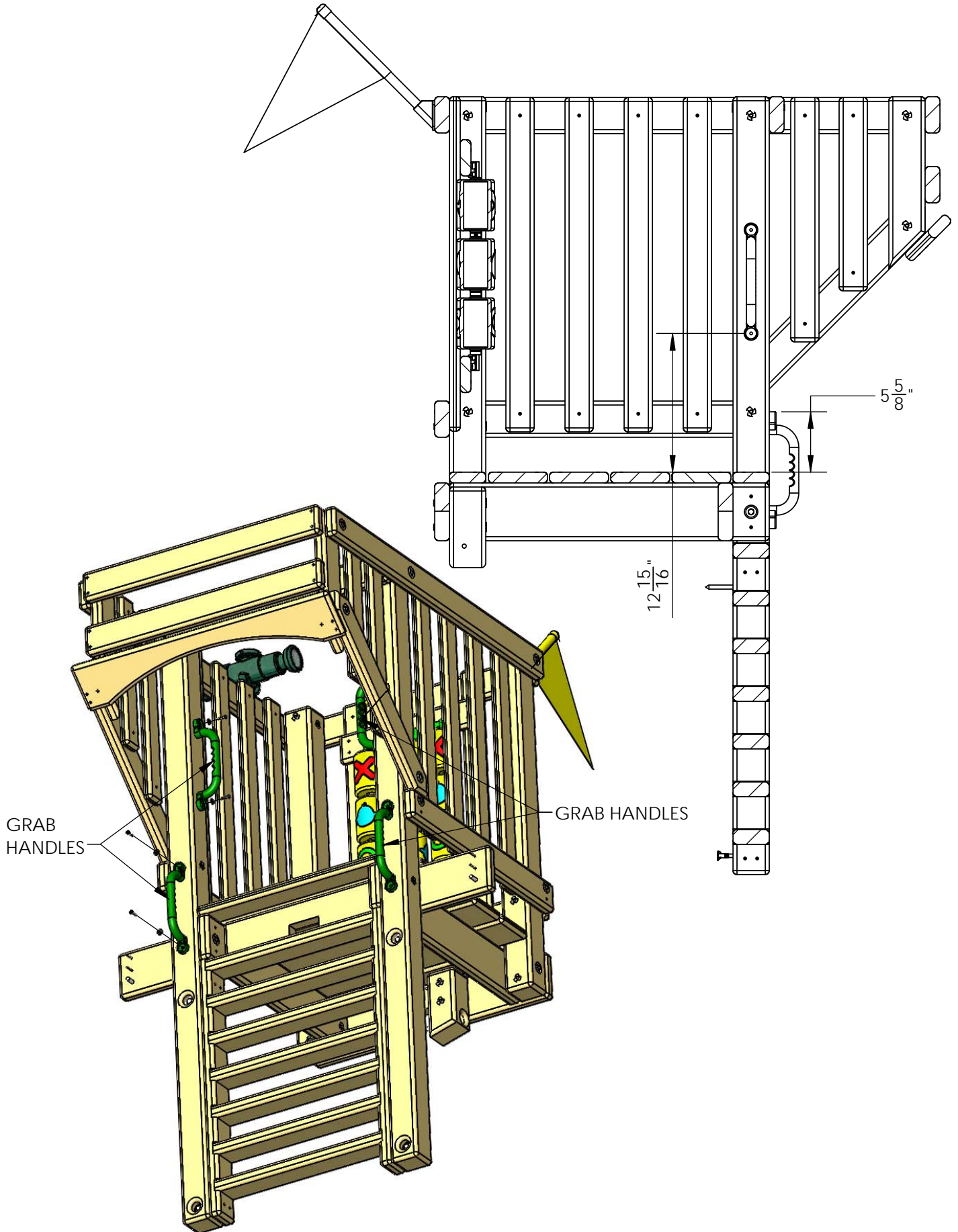
STEP 19: PANEL SLATS AT DECK

- 1: LOCATE THE 5/4 X 3 X 28-1/4" PANEL SLATS FROM THE MAIN PLAYSET PARTS BOXES.
- 2: EQUALLY SPACE A PANEL SLAT BETWEEN THE CORNER POST AND THE SUPPORT POST ON EACH SIDE.
- 3: FASTEN EACH SLAT WITH #8 X 2" WOOD SCREWS..



STEP 20: GRAB HANDLES

1: PLACE THE GRAB HANDLES AS SHOWN AND FASTEN THEM WITH THE HARDWARE THAT IS INCLUDED WITH THEM.

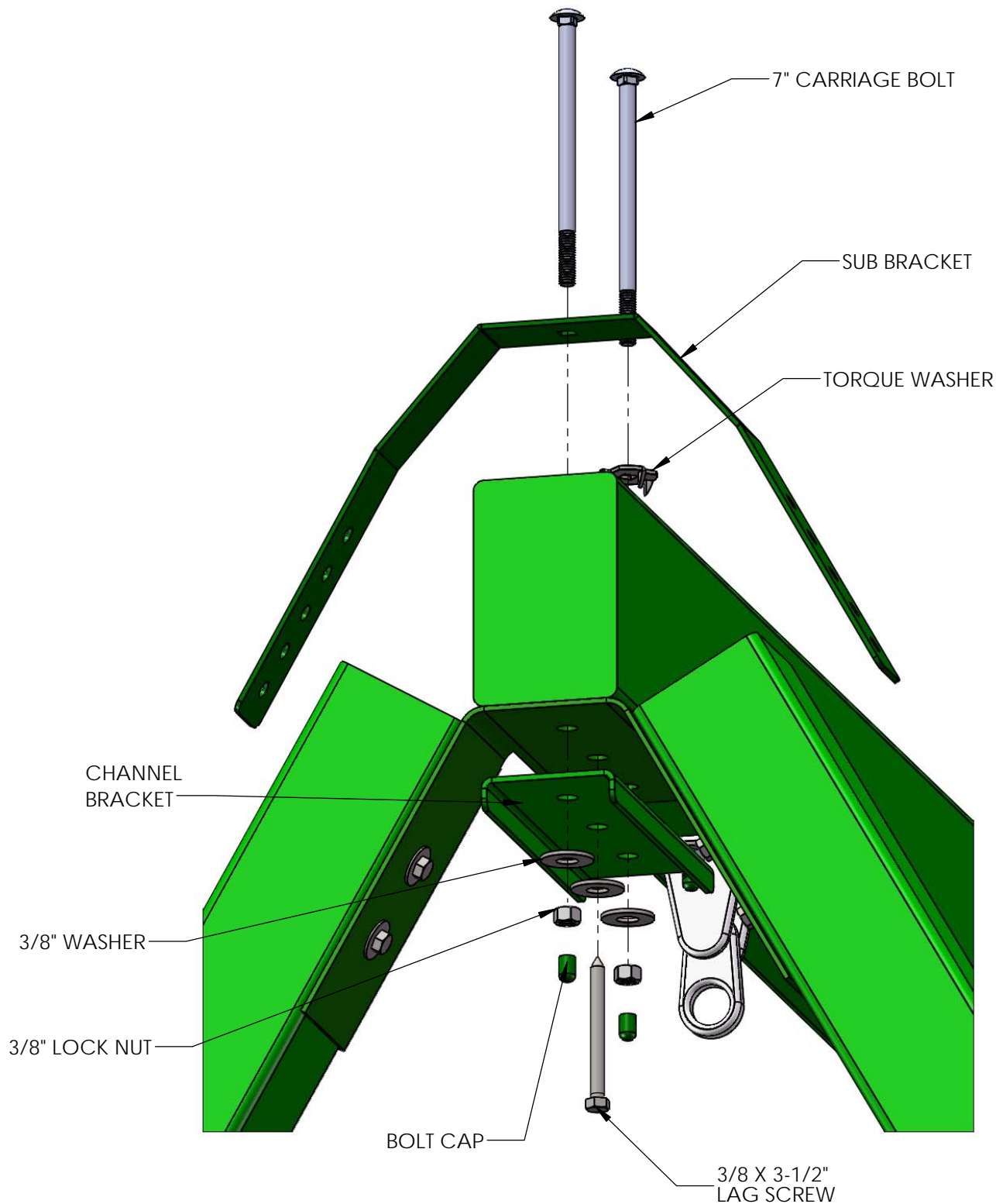


STEP 21: MOUNT SWING BEAM TO SWING BEAM LEGS

1: FASTEN THE SWING BEAM TO THE SWING BEAM BRACKET USING 7" CARRIAGE BOLTS WITH ONE TORQUE WASHER AND THE SUB BRACKET ON TOP OF THE SWING BEAM, AND THE CHANNEL BRACKET, 3/8" LOCK NUTS WITH 3/8" WASHERS FROM UNDERNEATH.

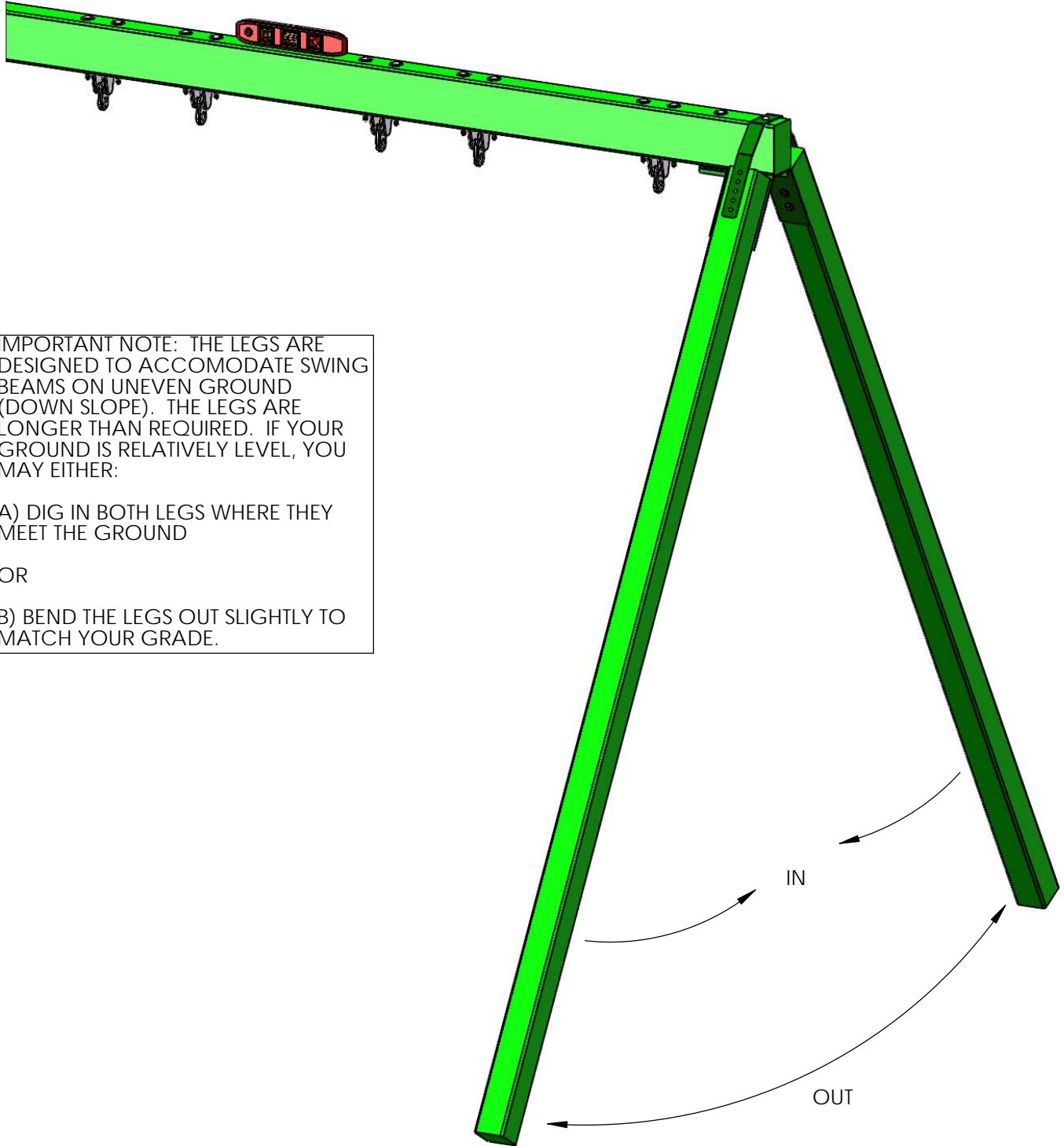
2: PREDRILL AN 11/64" HOLE THROUGH THE CENTER HOLE IN THE SWING LEG BRACKET. USE A 3/8 X 3-1/2" LAG SCREW WITH 3/8" WASHER FOR THE HOLE IN THE CENTER OF THE SWING BEAM BRACKET.

3: PLACE A BOLT CAP OVER ANY EXPOSED THREADS.



STEP 22: LEVEL SWING BEAM

1: PLACE A LEVEL ON TOP OF THE SWING BEAM AND ADJUST THE BEAM LEGS IN OR OUT AS NEEDED TO MAKE THE SWING BEAM LEVEL.



IMPORTANT NOTE: THE LEGS ARE DESIGNED TO ACCOMODATE SWING BEAMS ON UNEVEN GROUND (DOWN SLOPE). THE LEGS ARE LONGER THAN REQUIRED. IF YOUR GROUND IS RELATIVELY LEVEL, YOU MAY EITHER:

A) DIG IN BOTH LEGS WHERE THEY MEET THE GROUND

OR

B) BEND THE LEGS OUT SLIGHTLY TO MATCH YOUR GRADE.

STEP 23: SWING LEG CROSS-MEMBER

- 1: POSITION THE 2 X 4 X 58" SWING LEG CROSS-MEMBER AGAINST THE SWING BEAM LEGS.
- 2: LEVEL CROSS-MEMBER AND MARK THE LOCATION OF THE SECURING HOLES INSIDE THE CROSS-MEMBER HOLES.
- 3: USE 3/8 X 3-1/2" LAG SCREWS WITH 3/8" WASHERS TO SECURE THE CROSS-MEMBER TO THE SWING BEAM LEGS.
- 4: CHOOSE TWO HOLES IN THE SUB BRACKET THAT DO NOT INTERFERE WITH THE OTHER LAG SCREWS IN THE SWING LEG. DRILL 11/64" HOLES BY 2-1/2" DEEP INTO 2 HOLES IN THE SUB BRACKET. INSTALL TWO 3/8" X 2-1/2" LAG SCREWS WITH WASHERS. REPEAT ON THE OTHER SIDE OF THE SUB BRACKET.

