



Krazy Clubhouse

Model: 2000

BOXES:

2000 Playhouse Box 1 of 2

2000 Playhouse Box 2 of 2

Copyright © 2013 Gorilla Playsets
All Rights Reserved

190 Etowah Industrial Court
Canton, GA 30114

www.gorillaplaysets.com



Please inspect and inventory all parts immediately upon accepting delivery. Use the inventory pages in the manual to make sure you have received all necessary parts. The quickest method to get any parts that are missing or damaged is to use our “Quick Response Center” located at:

www.gorillaplaysets.com/support

DO NOT RETURN THIS PRODUCT TO THE RETAILER OR CONTACT THE RETAILER DIRECTLY. THE RETAILER DOES NOT STOCK COMPONENTS.

PLEASE RETAIN ALL INSTRUCTIONS FOR FUTURE REFERENCE. KEEP THEM IN A SAFE PLACE WHERE YOU CAN REFER TO THEM AS NEEDED. CHECK FOR REVISED INSTRUCTIONS AT:

www.gorillaplaysets.com/manuals

GORILLA PLAYSETS WARRANTY - 2013

Gorilla Playsets® (“Gorilla”) warrants its play sets to be free from defects in workmanship and materials, under normal use and conditions, for 10 years for above ground structural wood components and for one year for all other components (e.g., swings, hardware, plastics, tarps, rope ladder, etc.).

Gorilla warrants all remaining products, including but not limited to its Breckenridge Playhouse™, Free Standing Swing Set, Free Standing Tire Swing, See-Saw, Children’s Picnic Table with Umbrella, Play-Zee-Bo™ and spring riders to be free from defects in workmanship and materials, under normal use and conditions, for a period of 1 year. The Krazy Clubhouse is warranted for a period of 6 months.

Cosmetic imperfections and natural tendencies of wood such as peeling, splintering, warping, seasonal checking or cracking, knots or knot holes, etc. are normal characteristics of all outdoor wooden play equipment and are not covered by this warranty.

Wood rot or decay that develops because the product was installed in an area with poor drainage is not covered under this warranty. Lumber that has been damaged by wood boring bees, or conditions that develop as a result of faulty or improper installation of the product, are not covered by this warranty. Fading of stain, discoloration or mold on any wood part or accessory is not covered by this warranty. Cracks in plastic components, surface rust on hardware and chips on powder coated materials are not considered defects in material as long as they do not affect the functionality or structural integrity of the part or component.

It is the owner’s responsibility to maintain the swing set. **This includes but is not limited to re-staining and resealing the lumber as needed and regular inspection to be sure all hardware is tight.** Instructions for proper maintenance can be found on Gorilla’s website. Imperfections or conditions that develop because of a failure to properly maintain the swing set are not covered by this warranty.

Gorilla will repair or, at its discretion, replace any above ground part within the stated warranty period that is defective in workmanship or materials. This decision is subject to verification of the defect, which, at Gorilla’s discretion, may be accomplished by submitting photographs or by delivery of the defective part to Gorilla Playsets • 190 Etowah Industrial Ct. • Canton, GA 30114 • 1-800-882-0272 Monday to Friday 9AM-5PM EST. Any warranty claim must include proof of purchase, including the date of purchase. In addition, within the first 30 days from the date of purchase, Gorilla will replace any parts discovered to be missing from or damaged in the original packaging.

This warranty is valid only if the product is used for the purpose for which it was designed and installed at a residential, single-family dwelling. This warranty is void if the product is used in a commercial, institutional or multi-family setting. **This warranty does not cover normal wear and tear or (a) products that have been damaged by acts of God and/or nature, negligence, misuse or accident; (b) products that have been modified or repaired by unauthorized persons; (c) the cost of labor; or (d) the cost of shipping any replacement product or part.**

GORILLA DISCLAIMS ALL OTHER REPRESENTATIONS AND WARRANTIES OF ANY KIND, EXPRESSED, IMPLIED, STATUTORY OR OTHERWISE, INCLUDING THE IMPLIED WARRANTIES OF MERCHANTABILITY AND FITNESS FOR A PARTICULAR PURPOSE. GORILLA WILL NOT BE LIABLE FOR ANY INCIDENTAL OR CONSEQUENTIAL DAMAGES. This warranty is non-transferable and does not extend to the owners of the product subsequent to the original purchaser. Some states do not allow limitations on implied warranties or exclusion of incidental or consequential damages, so these restrictions may not be applicable to you. This warranty gives you specific legal rights. You may also have other rights which vary from state to state.

IMPORTANT SAFETY GUIDELINES

This product is recommended for use by children ages 3-11. This product is intended for residential use only and not intended for use in any public setting. A safety surface such as mulch or recycled tire should be used around the play set to prevent injury from falls. Also a 6 foot safety zone should be used around the entire play set.

As with any home project, good judgment and respect for power tools will greatly reduce the risk of injury. Gorilla recommends you follow all tool manufacturers' safety guidelines. Always wear eye protection and safety gloves to prevent injury. In several phases of construction two people may be required for lifting and securing of lumber. While the play set is being constructed, please keep children off the equipment until the project is complete. Bolts and screw heads should be checked regularly for tightness.

Gorilla shall not be liable for incidental, indirect or consequential damages or injuries that result from building and/or playing on our play sets. Adult supervision is recommended anytime a play set is being used.

Gorilla recommends that the weight limits for all components must not be exceeded. Failure to adhere to these and other safety guidelines could result in damage to the play set and injury to the users.

IMPORTANT – PLEASE READ

As fresh lumber acclimates to its new environment, the natural tendencies of the tree can show itself in the form of checks, or “cracks” in the lumber. In almost all cases this is normal and it will not affect the structural integrity of your play set.

Cosmetic defects that do not affect the structural integrity of the product, or natural defects of wood such as warping, checking or any other physical properties of wood that do not present a safety hazard, are not covered by this warranty. Defects that develop because the product is exposed to extreme climate conditions or woodboring insects are not covered by this warranty. Defects that develop as a result of faulty or improper installation of the product are also not covered by this warranty.

Most cracks are not warrantable, however if you believe that the integrity of your play set is compromised by this natural occurrence, please follow the warranty claim procedure found at www.gorillaplaysets.com. Click on the “Customer Care” tab on the left hand side of the page, then click on “Warranty Claim” and follow the directions.

KEEPING YOUR PLAYSET LIKE NEW

LUBRICATE:

- Spray moving metal parts with Pam, Mazola or olive oil to stop squeaking.
- Do not use petroleum based products such as WD-40 or motor oil.

TIGHTEN:

- Check and tighten bolts and screws within first 60 days and then twice annually. Tighten lag bolts or screws as required.

SEAL:

- Apply an oil based stain/sealer every year. You may need to carefully wash the unit before applying the sealer.

INSECTS:

- To repel yellow jackets and wasps, using a cloth, coat all interior 90 degree corners with liquid dish soap underneath the play set deck. This will make wasps sick when they attempt to build a nest. Avoid using insecticides.



Model: 2000

BOXES:
2000 Playhouse Box 1 of 2,
2000 Playhouse Box 2 of 2

REV: 8.5.2013

TABLE OF CONTENTS

Safety and Maintenance Tips.....	Pages 3-5
General Information and Site Plan.....	Pages 6-7
Kit Contents and Tool List.....	Page 8
Hardware and Lumber Checklist.....	Pages 9-15
Attaching Porch Floor to Main Floor.....	Step 1
Attaching Walls.....	Steps 2-4
Attaching Corner Boards.....	Steps 5-8
Attaching Porch Posts, Porch Roof and Porch Roof Peak.....	Steps 9-11
Attaching Fences.....	Step 12
Attaching Clubhouse Roof, Roof Peak and Roof Peak Caps.....	Steps 13-14
Assembling Flower Box and Attaching Flower Box.....	Steps 15-16
Attaching Front Wall to Floor with metal braces.....	Step 17
Attaching the Base Boards.....	Step 18
Attaching Door Handles.....	Step 19

**PLEASE READ OWNER'S MANUAL CAREFULLY
BEFORE STARTING ASSEMBLY!**

Safety and Maintenance Tips for Your New Play Set:

NOTE: Your children's safety is our #1 concern. Observing the following statements and warnings reduces the likelihood of serious or fatal injury. Please review these safety rules regularly with your children.

- This play set is designed for the use of 4 occupants who have a combined weight not exceeding 300 pounds on the floor.
- On-site adult supervision is required.
- Teach children not to use the equipment in a manner other than intended.
- The parents should have the children dress appropriately with well-fitting shoes. Loose clothing such as scarves and ponchos should not be worn. Always take off, tie up or tuck in cords and drawstrings on children's clothing. These things can get caught on playground equipment and strangle a child.
- Teach children not to climb when the equipment is wet.
- Teach children to never crawl on top of the clubhouse roof or porch roof.
- Teach children not to attach items to the playground equipment that are not specifically designed for use with the equipment, such as, but not limited to, jump ropes, clothesline, pet leashes, cables and chain as they may cause a strangulation hazard.
- Teach children to remove their bike or other sports helmet before playing on the playground equipment.
- Teach children to NEVER look at the sun or other bright light through any accessory such as but not limited to a telescope, periscope or binoculars.
- Teach children to never crawl through, sit upon or hang from the clubhouse windows.
- Teach children to never hang from or swing on the door.
- Teach children to never hang from or sit upon the flower box.
- Teach children to never hang from or sit upon the porch fences.
- Teach children to never put their fingers or any other body part in or near the door jamb when shutting or opening the door.

WARNING: Children must NOT use this clubhouse until it has been completely assembled and inspected by an adult to insure it has been properly installed.

Safety and Maintenance Tips for Your New Play Set: (continued)

Playgrounds should be inspected on a regular basis. If any of the following conditions are noted, they should be removed, corrected, or repaired immediately to prevent injuries.

- Hardware that is loose, worn or that has protrusions or projections.
- Exposed equipment footings.
- Scattered debris, litter, rocks, or tree roots.
- Splinters, large cracks, and decayed wood components.
- Deterioration and corrosion on structural components, which connect to the ground.
- Missing or damaged equipment components, such as handholds or guard rails.
- Check all nuts and bolts twice monthly during the usage season and tighten as required.
(But not so tight that you crack the wood)
- Oil all metallic moving parts monthly during the usage period.
- For rusted areas on metallic members such as brackets, etc.; sand and repaint, using a non lead-based paint meeting the requirements of Title 16 C.F.R. Part 1303. These requirements are available at: <http://www.cpsc.gov/>
- Inspect wood parts monthly. The grain of the wood sometimes will lift in the dry season causing splinters to appear. Light sanding may be necessary to maintain a safe playing environment. If you are treating your play set with stain regularly, it will help prevent severe checking/splitting and other weather damage.
- Once or twice a year, depending on your climate conditions, you must apply some type of protection (sealant) to the wood of your unit. Prior to the application of sealant, lightly sand any “rough” spots on your set. Please note this is a requirement of your warranty.
- Creating and maintaining the play set on a level location is very important. As your children play, your clubhouse will slowly dig its way into the soil, and it is very important that it settles evenly. Make sure the clubhouse is level and true once each year or at the beginning of each play season.
- Twice a month during the usage season rake the playground protective surfacing materials to prevent compaction and maintain appropriate depths. Replace the protective surfacing materials as required.
- Disposal Instructions: When the clubhouse is no longer desired, it should be disassembled and disposed of in such away that no unreasonable hazards will exist at the time the clubhouse is discarded.

Play Set Surfacing Recommendations:

Below are some of the recommendations that the U.S. Consumer Product Safety Commission (CPSC) offers from its Handbook for Public Playground Safety. The guide can be downloaded in full at www.cpsc.gov/cpscpub/pubs/325.pdf

1. Protective Surfacing - Since almost 60% of all injuries are caused by falls to the ground, protective surfacing under and around all playground equipment is the most critical safety factor on playgrounds.

Certain manufactured synthetic surfaces also are acceptable; however, test data on shock absorbing performance should be requested from the manufacturer.

Asphalt and concrete are unacceptable. They do not have any shock absorbing properties. Similarly, grass and turf should not be used. Their ability to absorb shock during a fall can be reduced considerably through wear and environmental conditions.

Certain loose-fill surfacing materials are acceptable. Surfacing materials are acceptable, such as the types and depths shown in the table.

Fall Heights and Materials

Type Of Material	6 in. depth	9 in. depth	12 in. depth
Double-Shredded bark mulch	6' Fall Height	10' Fall Height	11' Fall Height
Wood Chips	6' Fall Height	7' Fall Height	12' Fall Height
Fine Sand	5' Fall Height	5' Fall Height	9' Fall Height
Shredded Tires*	10-12' Fall Height	N/A	N/A
Fine Gravel	6' Fall Height	7' Fall Height	10' Fall Height

*This data is from tests conducted by independent testing laboratories on a 6-inch depth of uncompressed shredded tire samples produced by four manufacturers. The tests reported critical heights, which varied from 10 feet to greater than 12 feet. It is recommended that persons seeking to install shredded tires as a protective surface request test data from the supplier showing the critical height of the material when it was tested in accordance with ASTM F1292.

It should be recognized that all injuries due to falls cannot be prevented no matter what surfacing material is used.

2. Fall Zones - A fall zone, covered with a protective surfacing material, is essential under and around equipment where a child might fall. This area should be free of other equipment and obstacles onto which a child might fall. Stationary climbing equipment and slides should have a fall zone extending a Minimum of 6' in all directions from the perimeter of the equipment.

General Info to Review Before Installation

- Identify all of the parts for your play set. Empty each box and lay out boards so you can see each part. Your instruction book will have detailed drawings that will make it easy for you to recognize individual parts. Keep all hardware and metal parts separate from wooden pieces.
- After everything is laid out, check carefully to ensure all parts are present. Make sure there are no broken boards.
- Find an area to sort your hardware. It is best to open the hardware on a solid surface so that you do not lose any pieces in the grass. This will save time and familiarize you with all the different pieces in the hardware bag.
- Important note: Wood has some natural defects such as knots, surface cracks, etc... We reject parts that are structurally defective. We use a high quality lumber in our structures; however, you should inspect each part for splinters or rough spots and sand them smooth to prevent injury.
- After familiarizing yourself with all of the components, read all instructions thoroughly. Reading instructions after you have studied the parts will help you understand the installation process, and help to eliminate unnecessary mistakes.
- Pay close attention to the diameter and length of each bolt and screw.
- Never tighten hardware completely at first. It helps to have some adjustment for bolt alignment while you are attaching parts together. After everything is square, tighten each joint.
- After the main unit is assembled it is critical that the floor is level and square. If the main frame is not level, the walls and floor will be out of square.
- After you complete installation, make sure every bolt, screw, and nut is tight, and every board is secure. Wood will expand and contract with the seasons.
- Place the set on level ground, not less than 6 feet from any structure or obstruction such as a fence, garage, house, overhanging branches, laundry lines, or electrical wires.

Please familiarize yourself with the manual, parts/components and general construction process of your new playset before getting started.

SITE PLAN:

Approximate assembly time: 2-4 hours

(6) foot unobstructed safety perimeter around clubhouse recommended.

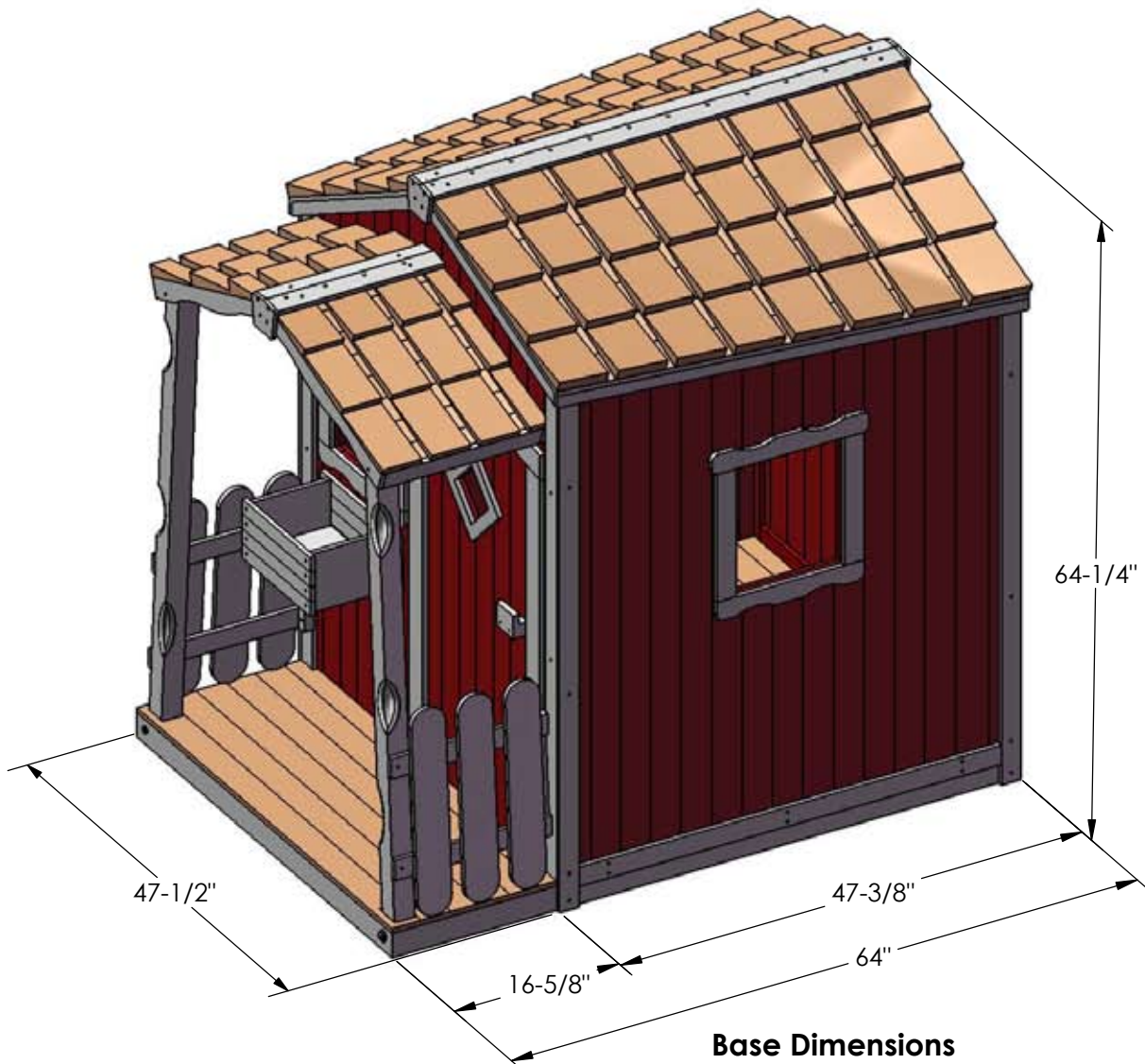
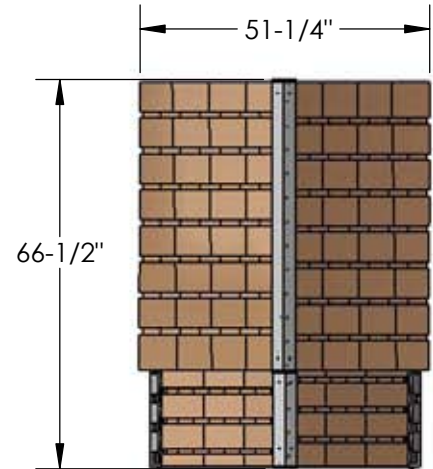
Inside Playhouse Dimensions:
43-3/4"W X 43-3/4"D

Inside Porch Dimensions:
46-3/16"W X 17-1/8"D

Door Opening:
18-7/8"W X 40"H at lowest point.

Flower Box Inside Dimensions:
10-7/16"W X 4-3/8"H X 4-3/8"D

Roof Dimensions



REQUIRED TOOL LIST:

- ___ Standard or Cordless Drill w/ Phillips Bits
- ___ Phillips Screwdriver(s)
- ___ 10mm wrench or adjustable wrench or 10mm socket with socket wrench
- ___ Level
- ___ Tape Measure
- ___ Extension Cord (if using standard drill)
- ___ Hammer
- ___ Pencil
- ___ Shovel

KIT CONTENTS:

- ___ (Qty) Description
- ___ (1) 2000 Playhouse Box 1 of 2 (60-1/4" x 46-3/4" x 10-1/4")
- ___ (1) 2000 Playhouse Box 2 of 2 (52-1/2" x 30-1/2" x 9-1/4")

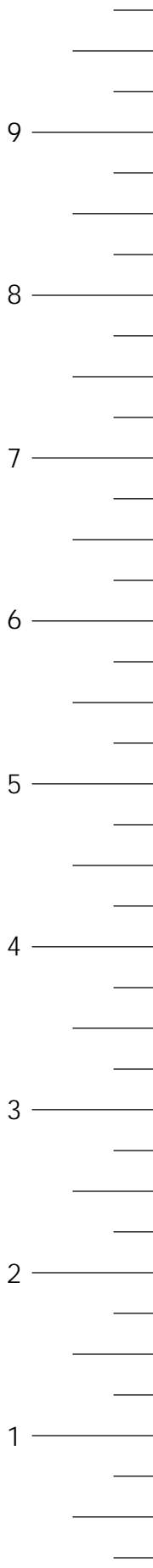
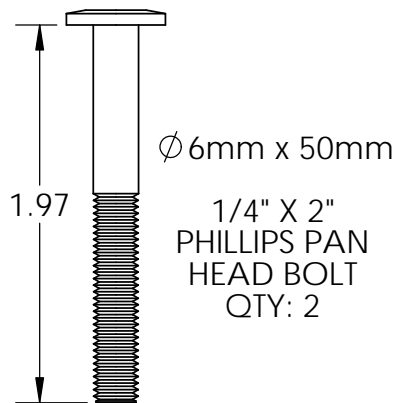
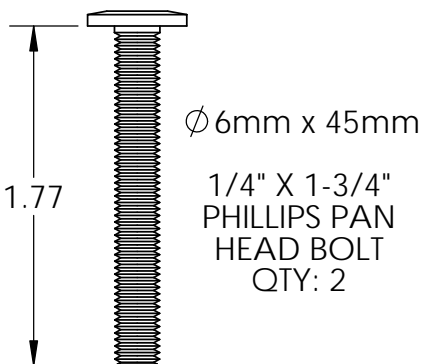
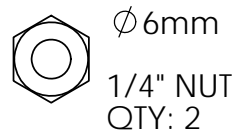
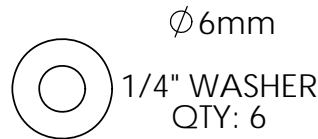
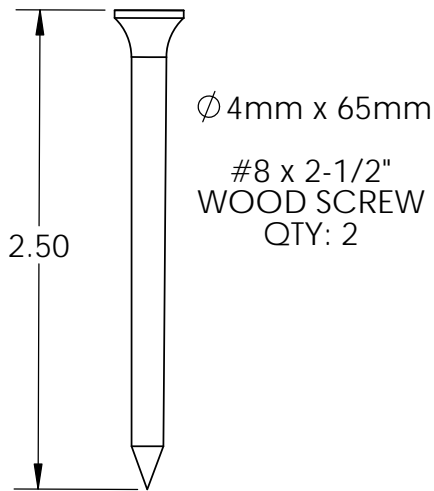
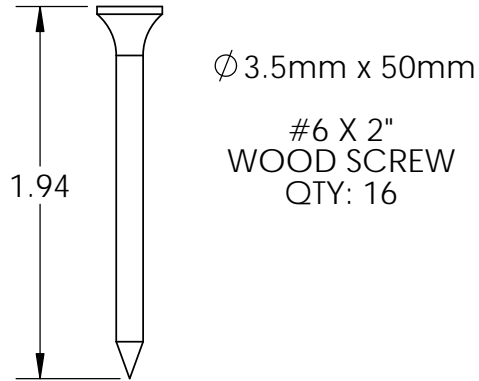
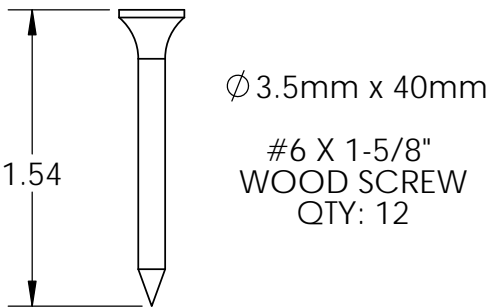
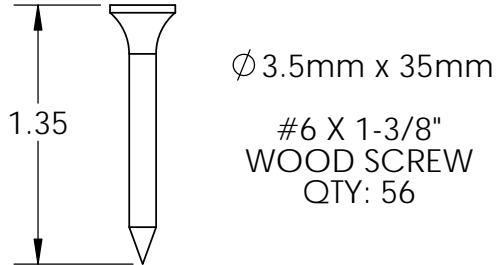
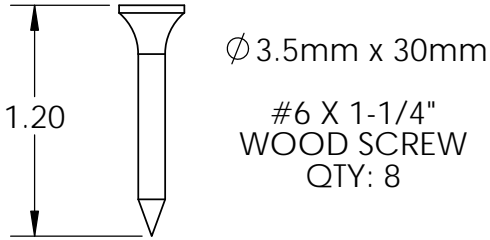
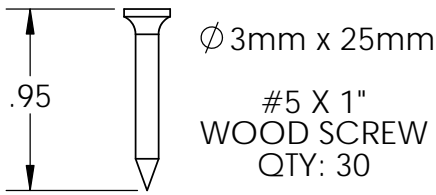
Hardware:

see following pages

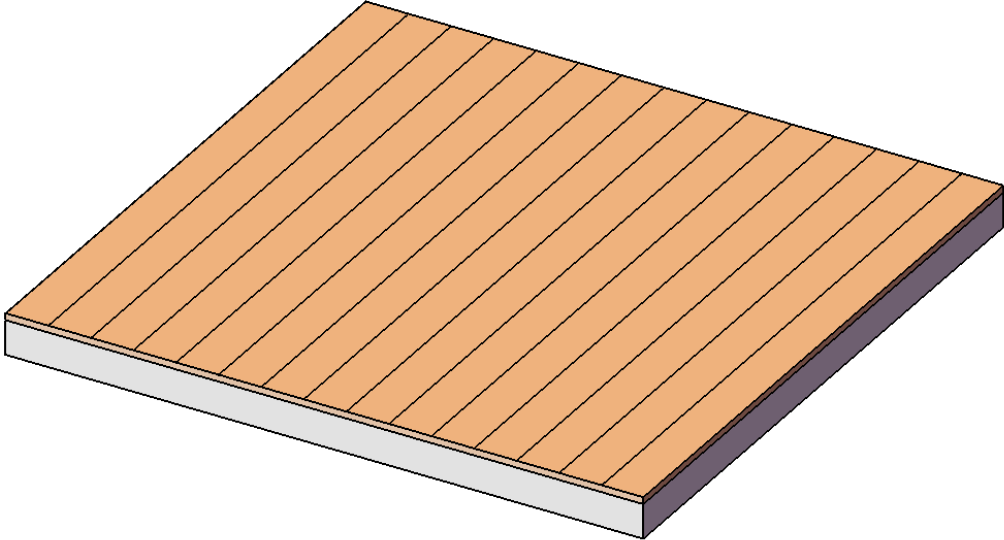
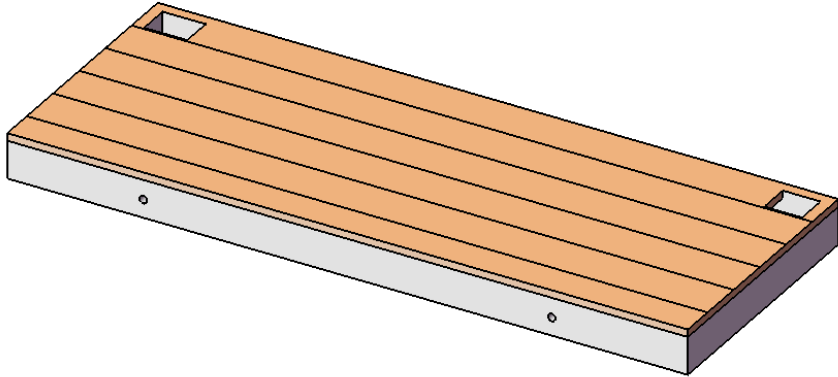
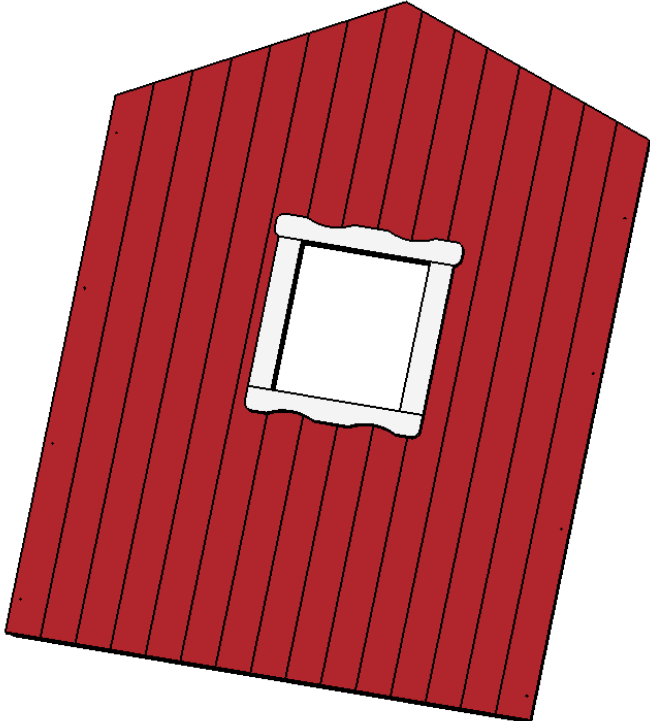
Wood Components:

see following pages

NOTE: FASTENERS INCLUDED ARE METRIC.
DIMENSIONS IN INCHES ARE APPROXIMATE.



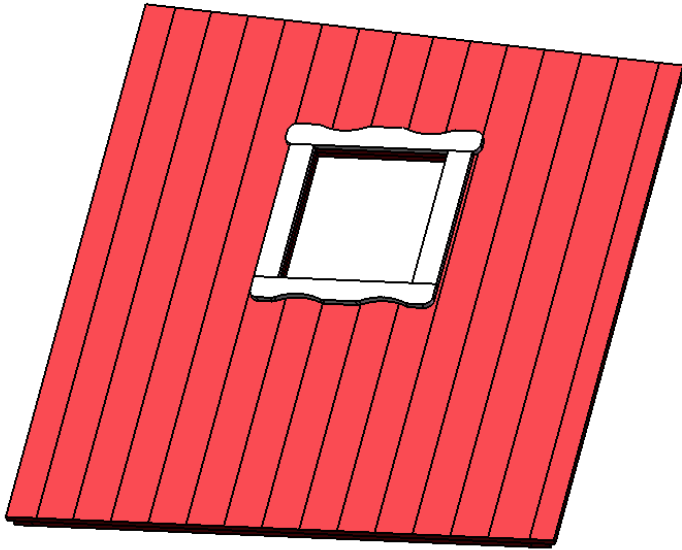
USE THE RULER TO THE RIGHT TO MEASURE YOUR BOLTS AND SCREWS. PICTURE VIEWS SHOWN ABOVE ARE 1:1 SCALE AND CAN BE USED TO MATCH BOLT AND SCREW SIZES.

PICTURE	DESCRIPTION	QTY.
	FLOOR	1
	PORCH FLOOR	1
	BACK WALL	1

PICTURE

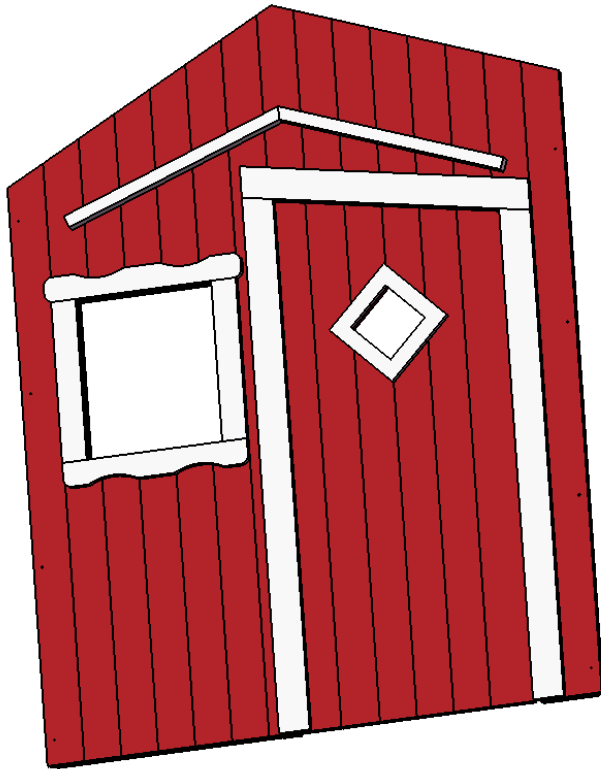
DESCRIPTION

QTY.



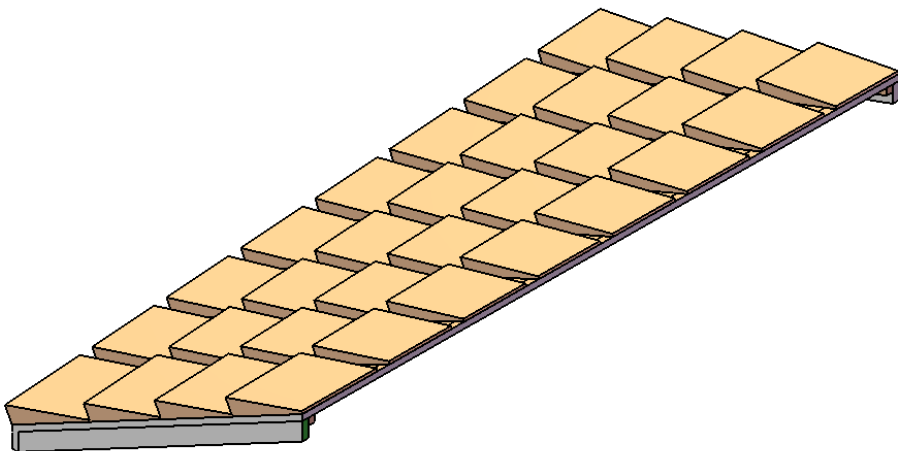
SIDE WALL

2



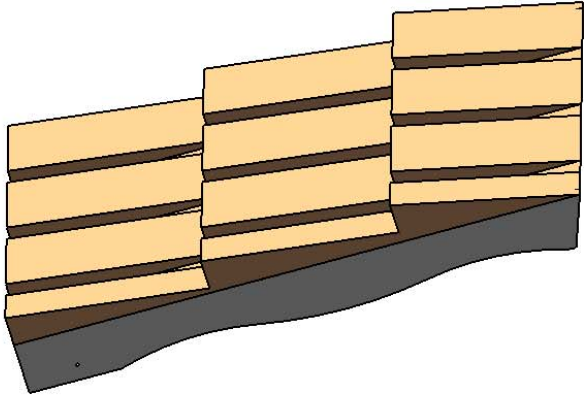
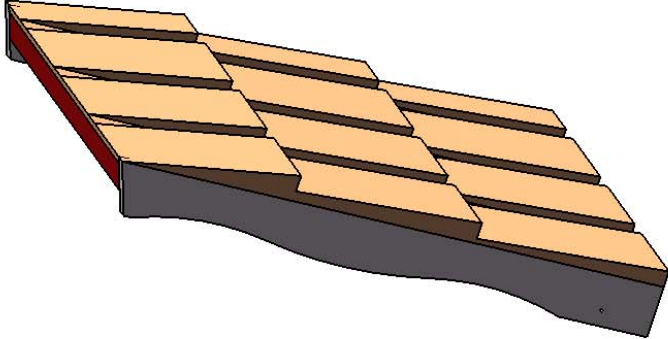
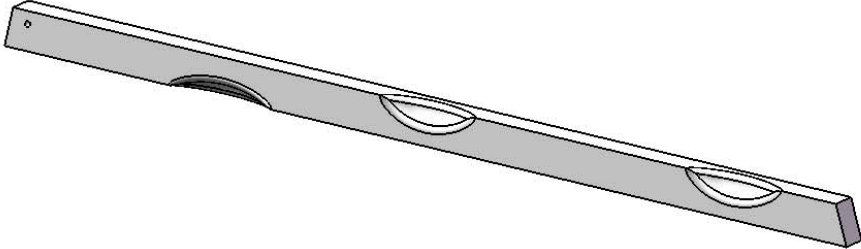
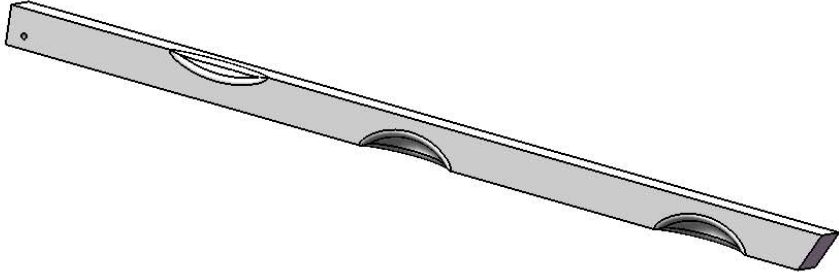
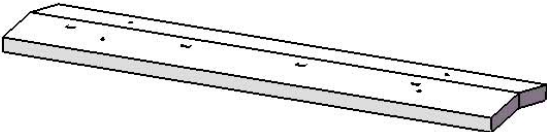
FRONT WALL

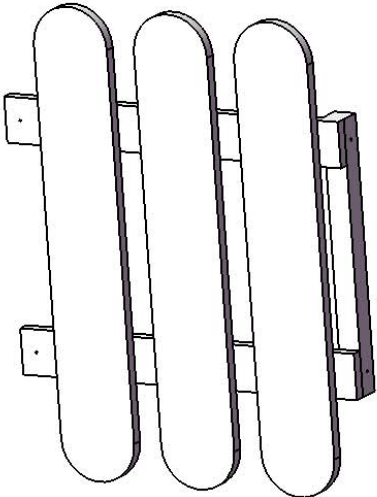
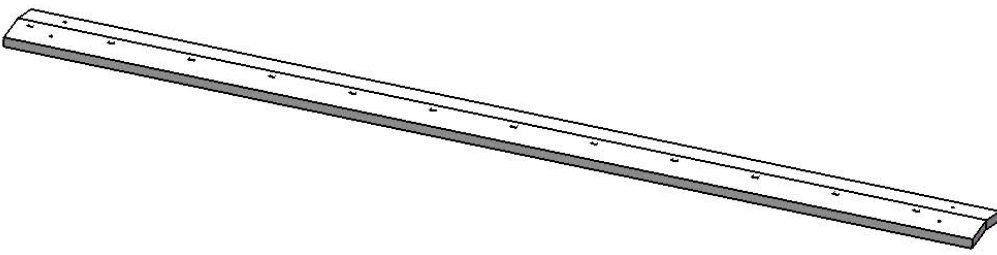
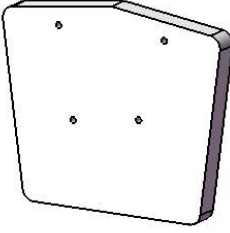
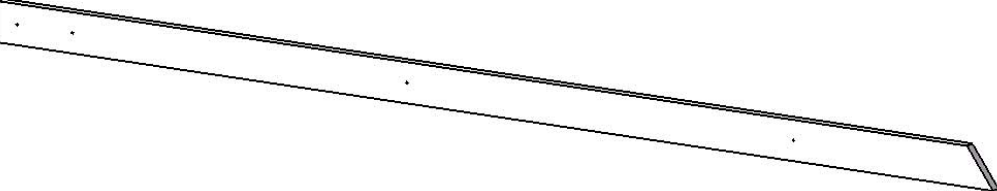
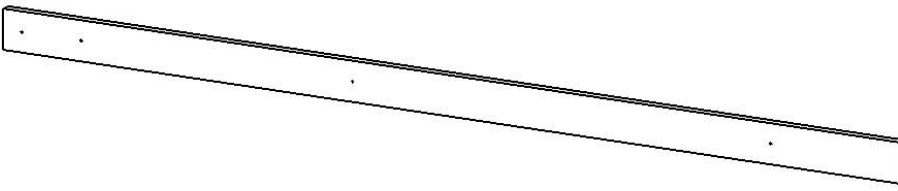
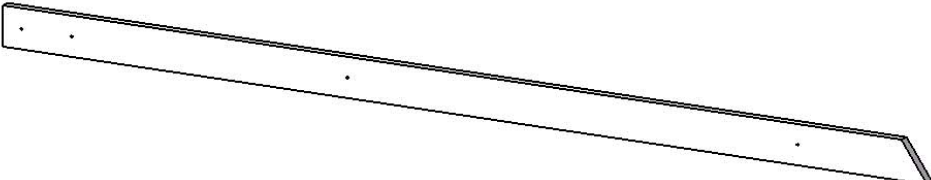
1

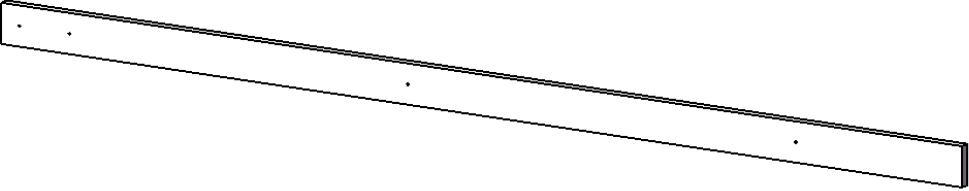
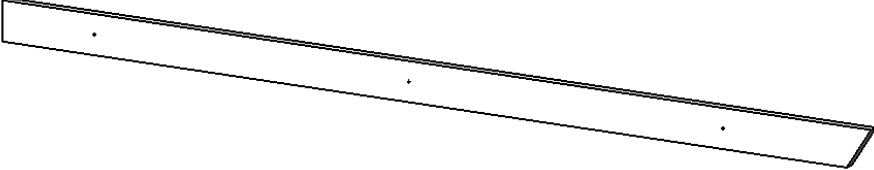
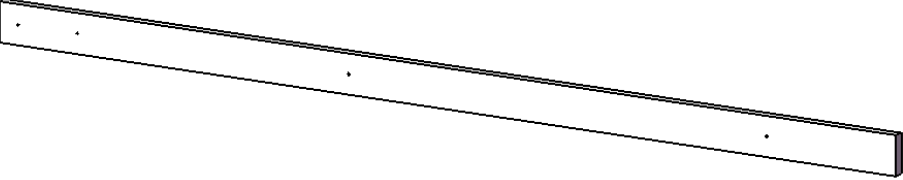
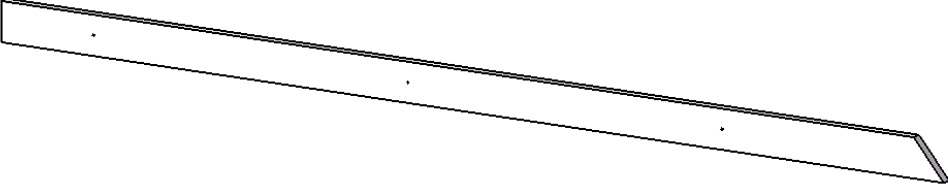
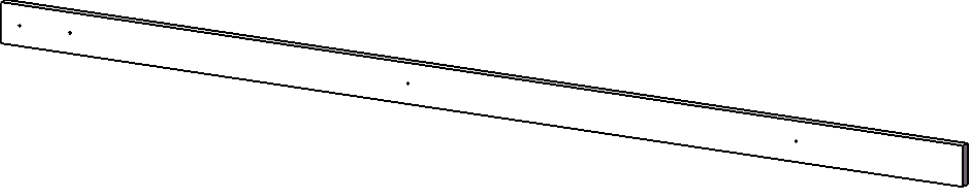
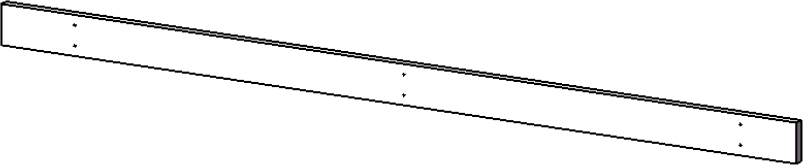
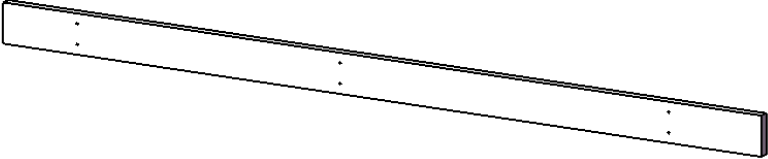


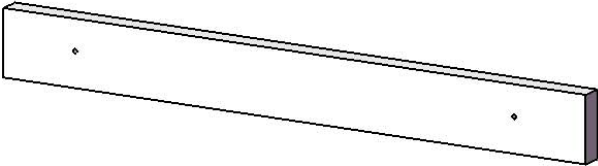
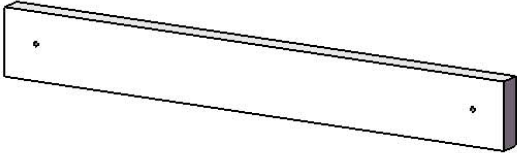
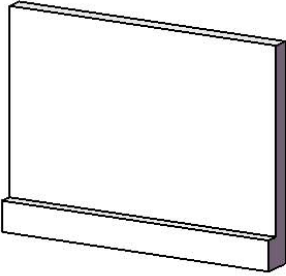
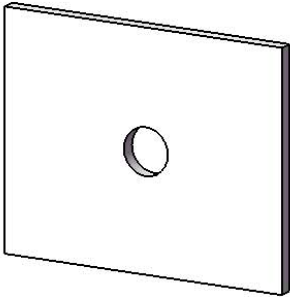
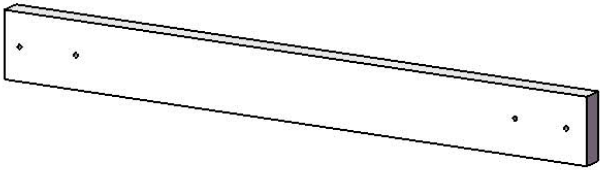
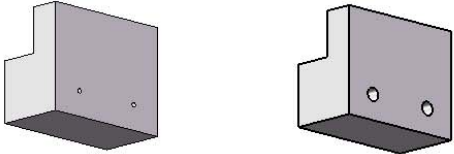

ROOF PANEL

2

PICTURE	DESCRIPTION	QTY.
	PORCH ROOF LEFT	1
	PORCH ROOF RIGHT	1
	PORCH POST LEFT	1
	PORCH POST RIGHT	1
	PORCH PEAK	1

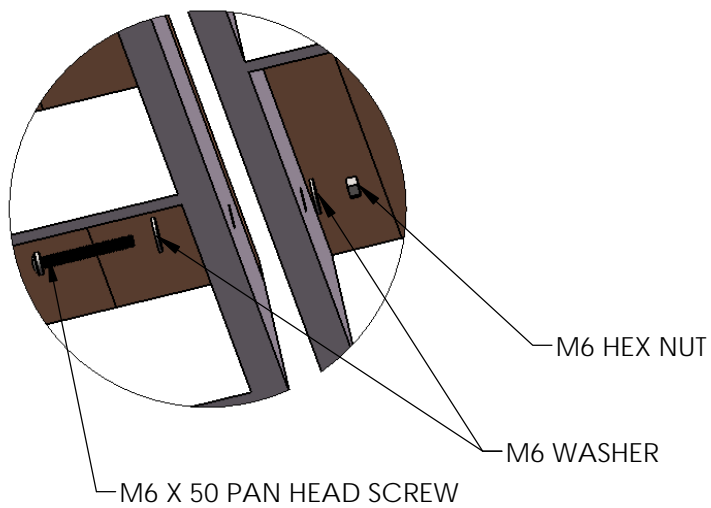
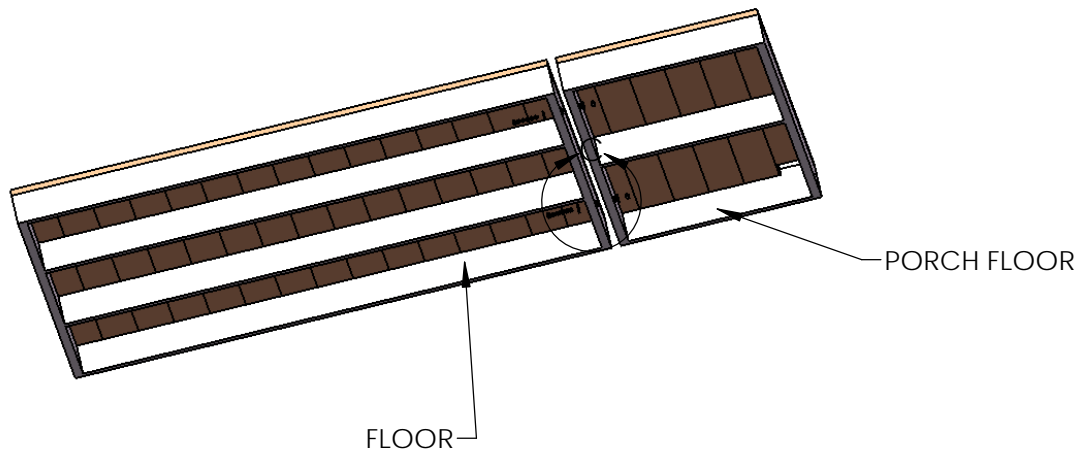
PICTURE	DESCRIPTION	QTY.
	FENCE	2
	ROOF PEAK	1
	ROOF PEAK CAP	3
	50" BACK CORNER RIGHT ANGLED END	1
	48.5" BACK SIDE CORNER RIGHT	1
	54" BACK CORNER LEFT ANGLED END	1

PICTURE	DESCRIPTION	QTY.
	52" BACK SIDE CORNER LEFT	1
	47" FRONT CORNER LEFT ANGLED END	1
	48.5" FRONT SIDE CORNER LEFT	1
	51" FRONT CORNER RIGHT ANGLED END	1
	52" FRONT SIDE CORNER RIGHT	1
	SIDE BASE BOARD	2
	BACK BASE BOARD	1

PICTURE	DESCRIPTION	QTY.
	FLOWER BOX BACK	2
	FLOWER BOX FRONT	4
	FLOWER BOX SIDE	2
	FLOWER BOX BOTTOM	2
	FLOWER BOX BACK (TOP AND BOTTOM)	2
	HANDLE	2
	BRACKET	2

STEP 1: ATTACHING THE PORCH FLOOR

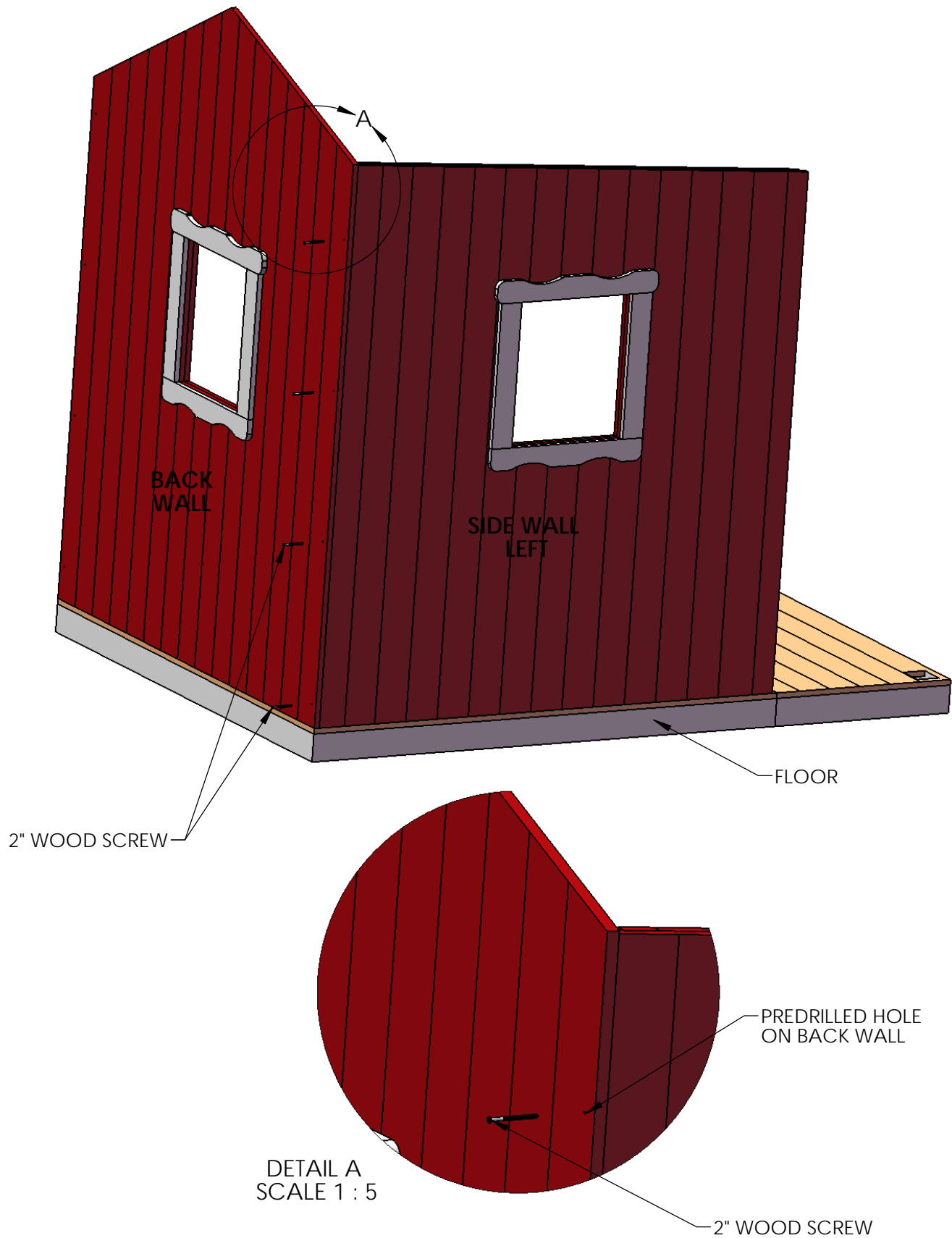
1: ATTACH THE PORCH FLOOR TO THE FLOOR. USE M6 X 50 PAN HEAD SCREW, M6 WASHER AND M6 HEX NUT.



DETAIL C
SCALE 1 : 4

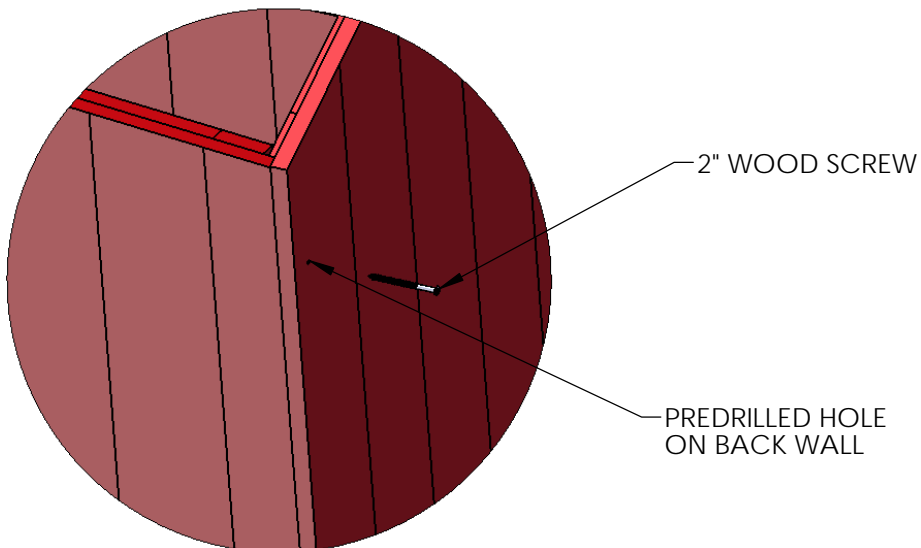
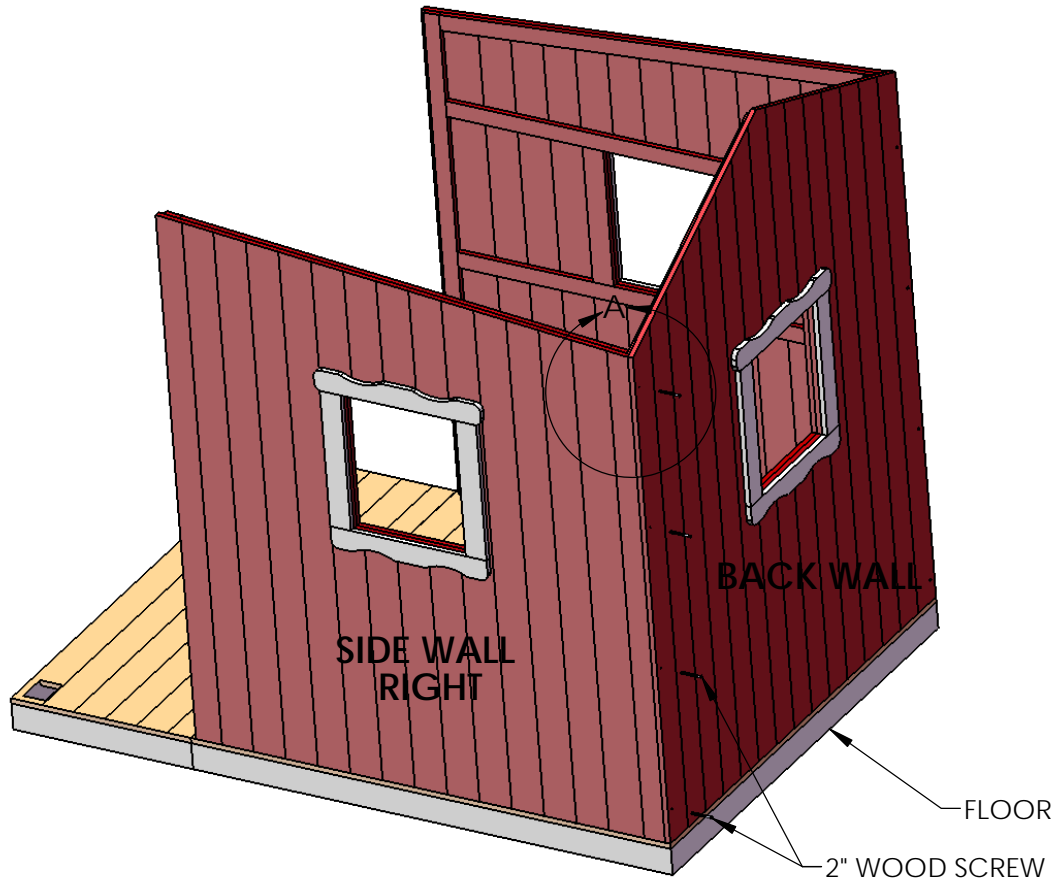
STEP 2: ATTACHING SIDE WALL LEFT

1: ATTACH SIDE WALL LEFT AND BACK WALL AS SHOWN BELOW MAKE SURE THE SIDE WALL LEFT AND BACK WALL ARE FLUSH AND PERPENDICULAR. USE 2" WOOD SCREWS IN THE PREDRILLED HOLES.



STEP 3: ATTACHING SIDE WALL RIGHT

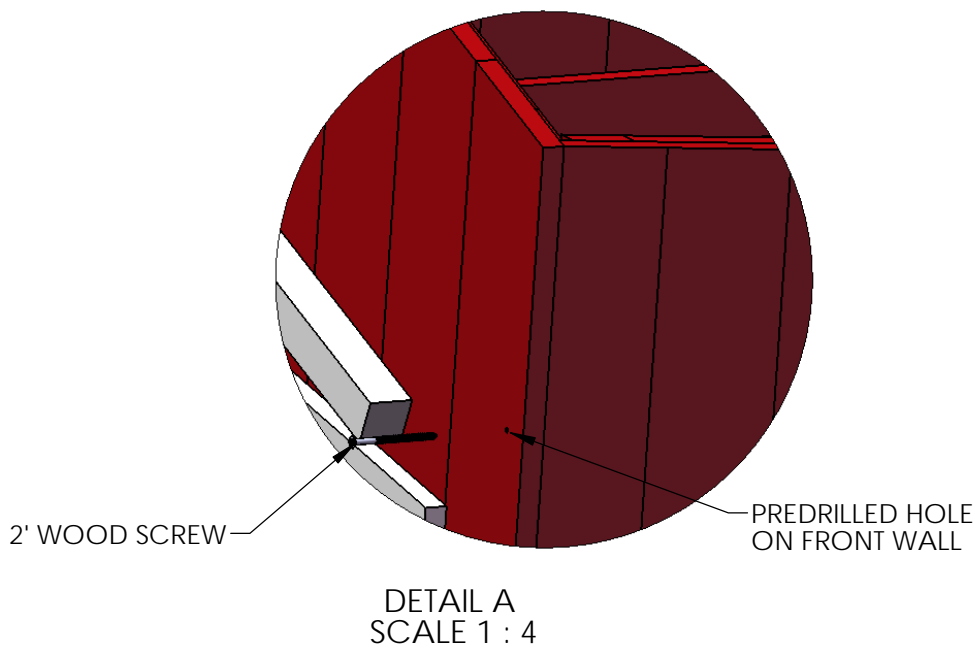
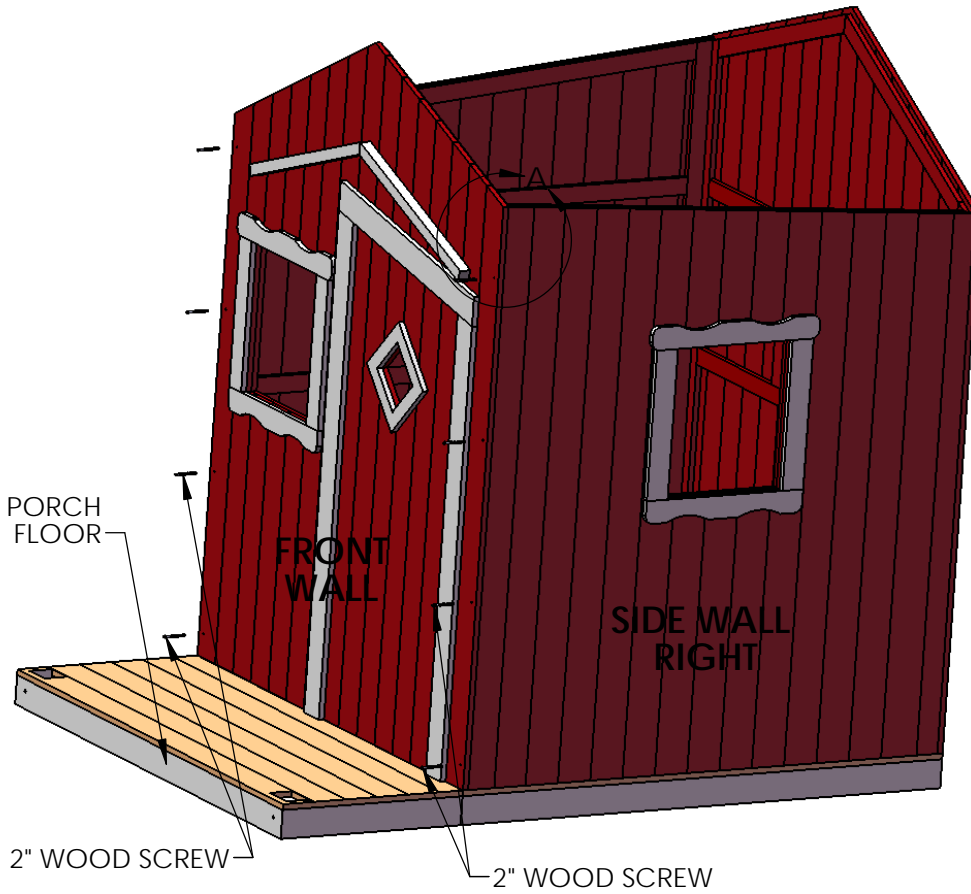
1: ATTACH SIDE WALL RIGHT AND BACK WALL AS SHOWN BELOW MAKE SURE THE SIDE WALL LEFT AND BACK WALL ARE FLUSH AND PERPENDICULAR. USE 2" WOOD SCREWS IN THE PREDRILLED HOLES.



DETAIL A
SCALE 1 : 5

STEP 4: ATTACHING FRONT WALL

1: ATTACH FRONT WALL WITH SIDE WALL LEFT AND SIDE WALL RIGHT AS SHOWN BELOW. MAKE SURE FRONT WALL AND SIDE WALLS ARE FLUSH AND PERPENDICULAR. USE 2" WOOD SCREWS IN THE PREDRILLED HOLES.



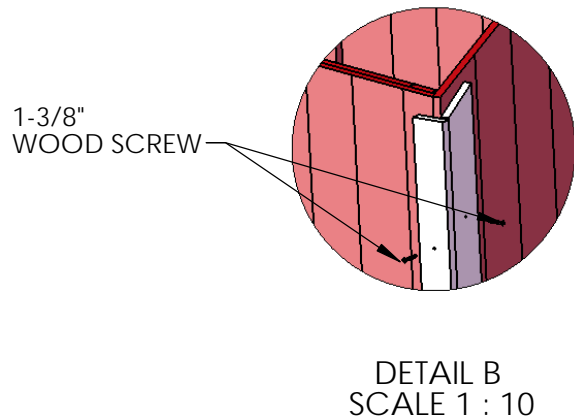
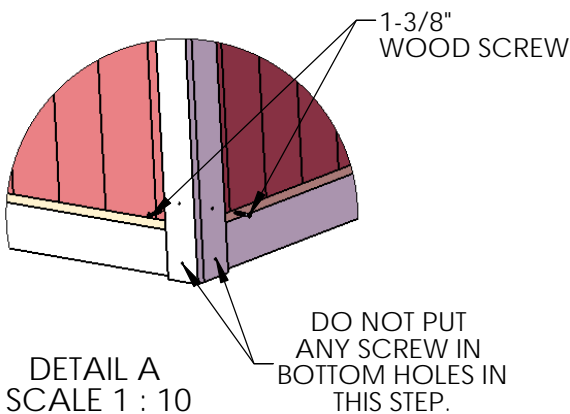
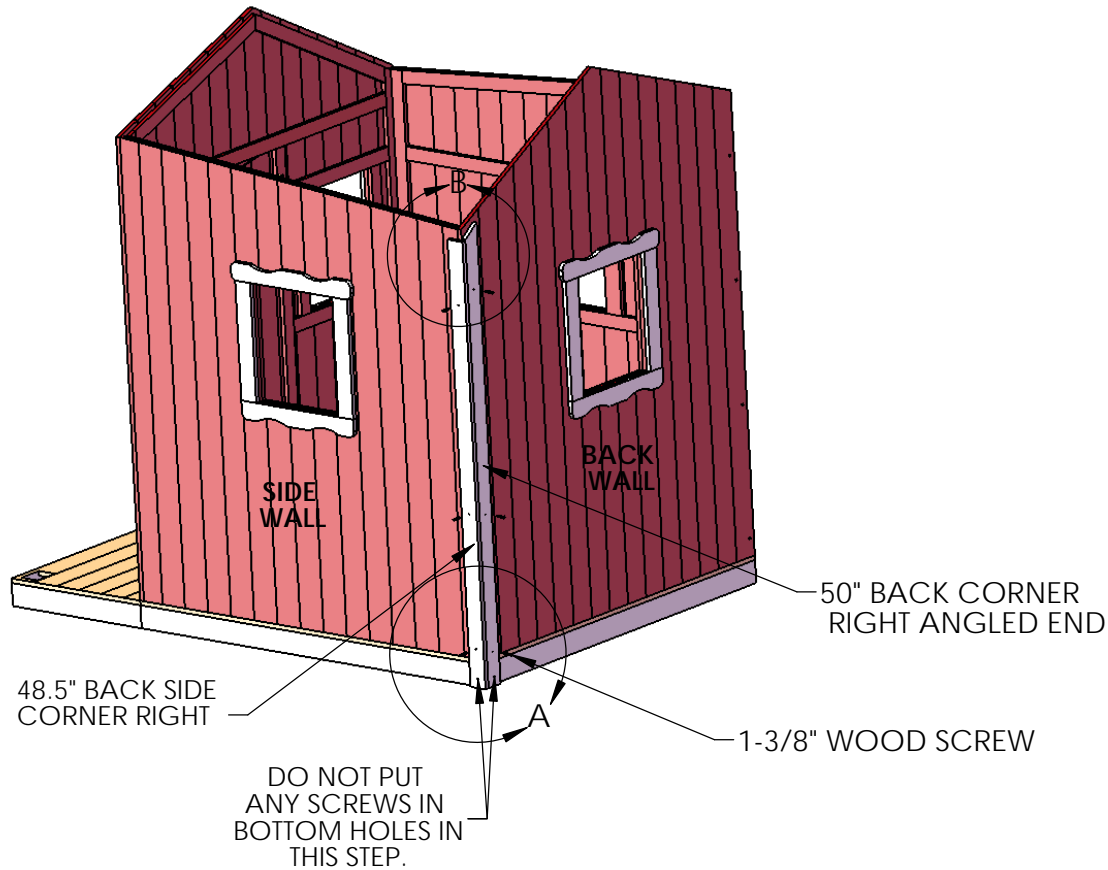
STEP 5: ATTACHING THE RIGHT BACK CORNER

1: LOCATE A 50" BACK CORNER RIGHT ANGLED END AND A 48.5" BACK SIDE CORNER RIGHT.

2: PLACE THE 50" BACK SIDE CORNER RIGHT ANGLED ON BACK WALL . USE 1-3/8" WOOD SCREWS IN THE PREDRILLED HOLES. MAKE SURE THE BOTTOM OF THE CORNER IS FLUSH WITH THE BOTTOM OF THE FLOOR PANEL AND THE SIDE CORNER IS FLUSH WITH THE SIDE WALL.

3: PLACE THE 48.5" BACK SIDE CORNER RIGHT ON THE SIDE WALL. USE 1-3/8" WOOD SCREWS IN THE PREDRILLED HOLES. FLUSH THE BOTTOM CORNER TO THE BOTTOM OF THE FLOOR PANEL AND FLUSH THE SIDE FACE WITH THE BACK SIDE OF THE CORNER ANGLED END AS SHOWN IN **DETAIL A,B**

4: DO NOT PUT ANY SCREWS IN THE BOTTOM HOLES OF 50" BACK CORNER RIGHT ANGLED END AND THE 48.5" BACK SIDE CORNER RIGHT IN THIS STEP.



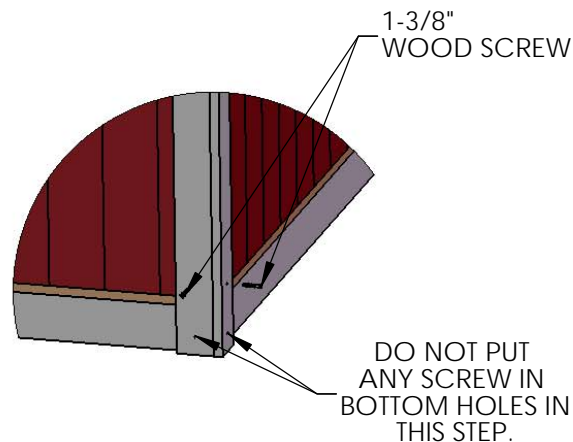
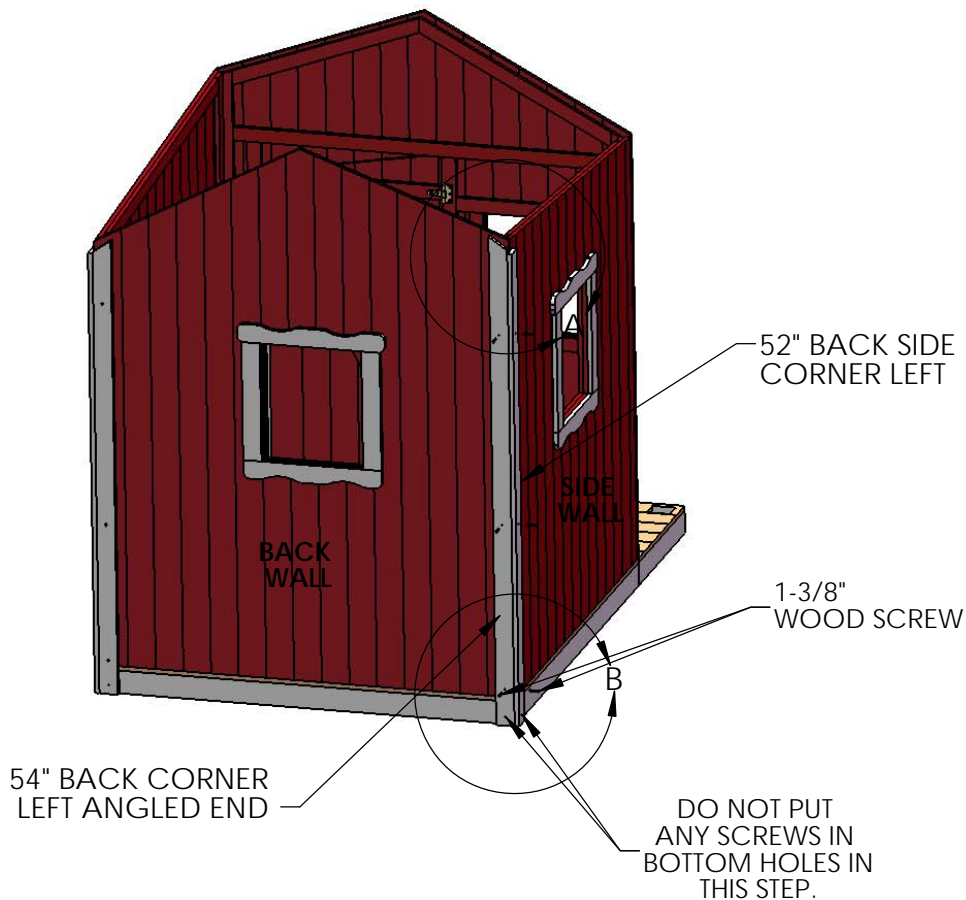
STEP 6: ATTACHING THE LEFT BACK CORNER

1: LOCATED A 54" BACK CORNER LEFT ANGLED END AND A 52" BACK SIDE CORNER LEFT.

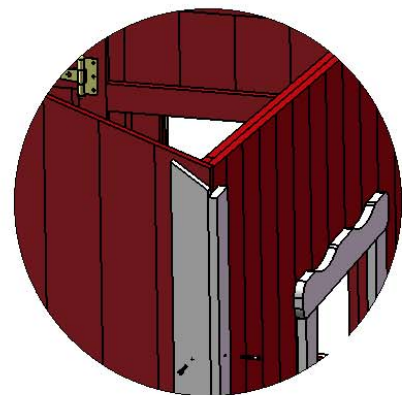
2: PLACE THE 54" BACK CORNER LEFT ANGLED END ON THE BACK WALL . USE 1-3/8" WOOD SCREWS IN THE PREDRILLED HOLES. MAKE SURE THE BOTTOM OF THE CORNER IS FLUSH WITH BOTTOM OF THE FLOOR PANEL AND THE SIDE IS FLUSH WITH THE SIDE WALL.

3: PLACE THE 52" BACK SIDE CORNER LEFT ON THE SIDE WALL. USE 1-3/8" WOOD SCREWS IN THE PREDRILLED HOLES. FLUSH THE BOTTOM CORNER WITH THE BOTTOM OF THE FLOOR PANEL AND FLUSH THE SIDE FACE WITH BACK SIDE CORNER ANGLED END AS SHOWN IN **DETAIL A,B**.

4: DO NOT PUT ANY SCREWS IN THE BOTTOM HOLES OF THE 54" BACK CORNER LEFT ANGLED END AND THE 52" BACK SIDE CORNER LEFT IN THIS STEP.



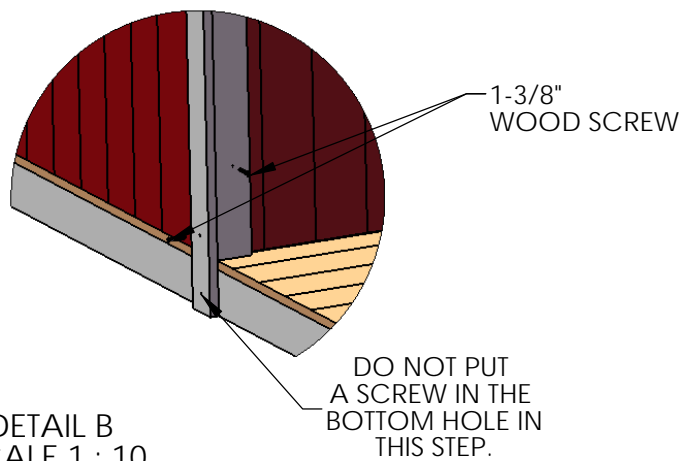
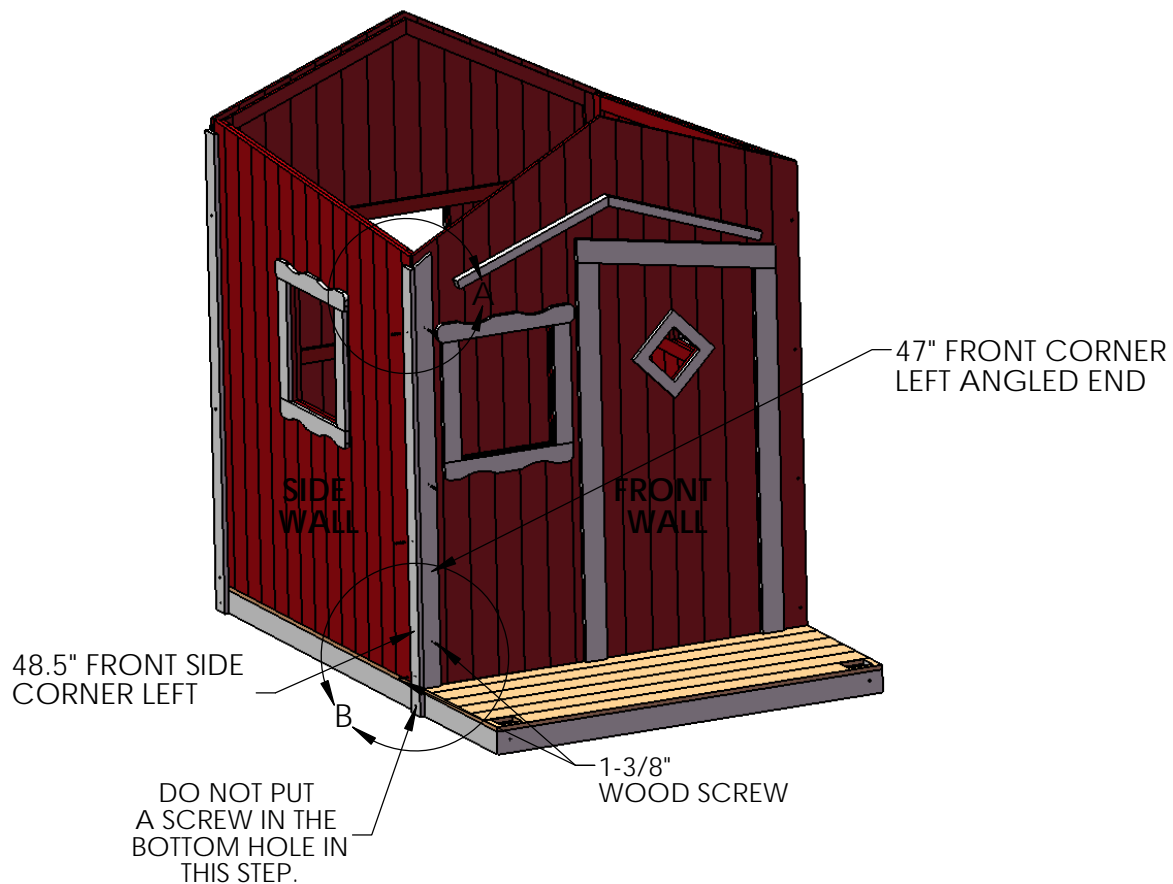
DETAIL B
SCALE 1 : 10



DETAIL A
SCALE 1 : 10

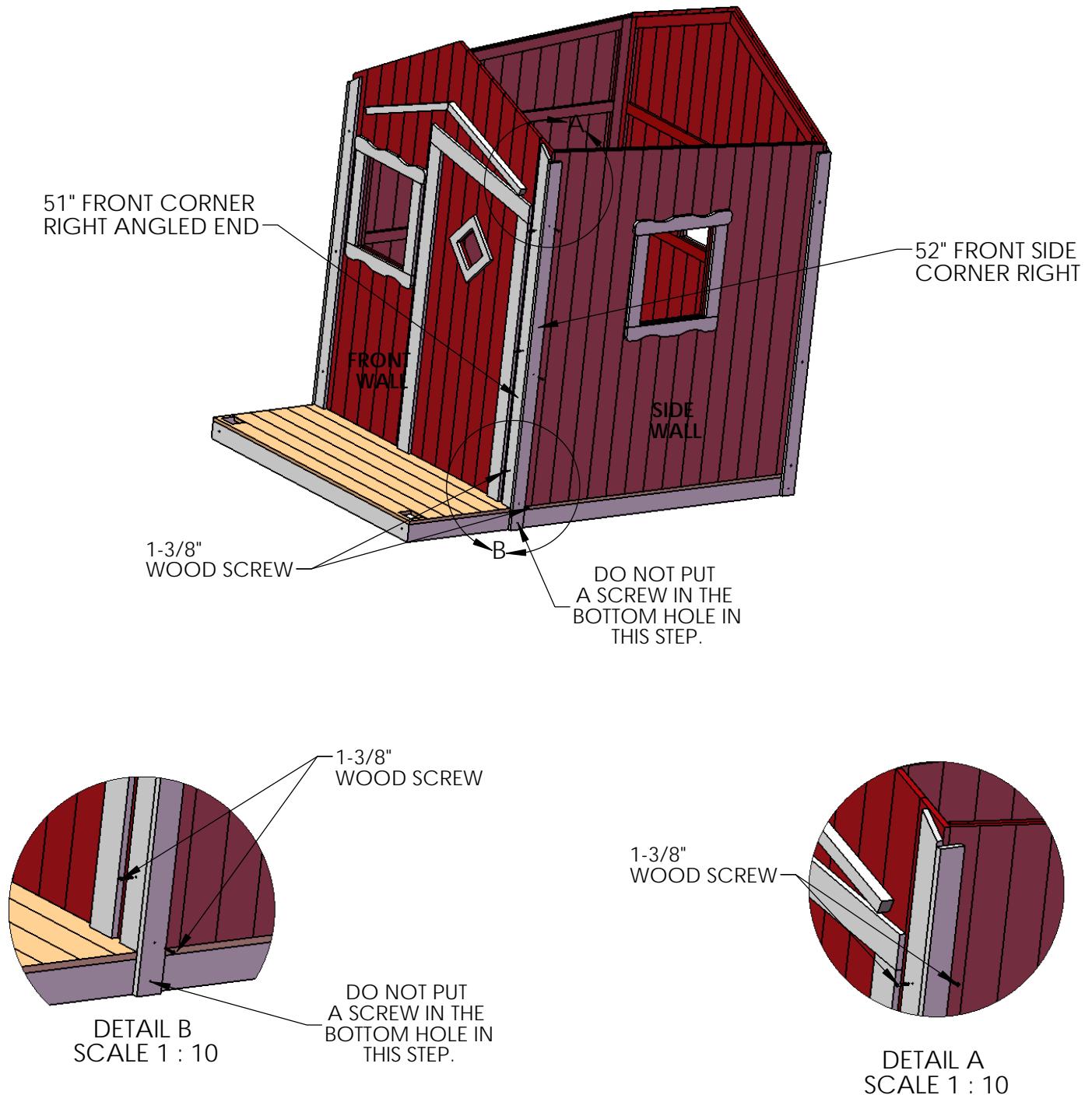
STEP 7: ATTACHING THE LEFT FRONT CORNER

- 1: LOCATE A 47" FRONT CORNER LEFT ANGLED END AND A 48.5" FRONT SIDE CORNER LEFT.
- 2: PLACE THE 47" FRONT SIDE CORNER LEFT ANGLED END ON FRONT WALL . USE 1-3/8" WOOD SCREWS IN THE PREDRILLED HOLES. MAKE SURE THE BOTTOM OF THE CORNER IS FLUSH WITH PORCH FLOOR AND THE SIDE IS FLUSH WITH THE SIDE WALL.
- 3: PLACE THE 48.5" FRONT SIDE CORNER ON THE SIDE WALL. USE 1-3/8" WOOD SCREWS IN THE PREDRILLED HOLES. FLUSH THE BOTTOM CORNER WITH THE BOTTOM OF THE FLOOR PANEL AND FLUSH THE SIDE FACE WITH THE FRONT CORNER ANGLED END AS SHOWN IN **DETAIL A,B**.
- 4: DO NOT PUT A SCREW IN THE BOTTOM HOLE OF THE 48.5" FRONT SIDE CORNER LEFT IN THIS STEP.



STEP 8: ATTACHING THE RIGHT FRONT CORNER

- 1: LOCATE A 51" FRONT CORNER RIGHT ANGLED END AND A 52" FRONT SIDE CORNER RIGHT.
- 2: PLACE THE 51" FRONT CORNER RIGHT ANGLED END ON THE FRONT WALL . USE 1-3/8" WOOD SCREWS IN THE PREDRILLED HOLES. MAKE SURE THE BOTTOM OF THE CORNER IS FLUSH WITH THE PORCH FLOOR AND THE SIDE IS FLUSH WITH THE SIDE WALL.
- 3: PLACE THE 52" FRONT SIDE CORNER RIGHT ON THE SIDE WALL. USE 1-3/8" WOOD SCREWS IN THE PREDRILLED HOLES. FLUSH THE BOTTOM CORNER WITH THE BOTTOM OF THE FLOOR PANEL AND FLUSH THE SIDE FACE WITH FRONT CORNER ANGLED END AS SHOWN IN **DETAIL A,B**.
- 4: DO NOT PUT A SCREW IN THE BOTTOM HOLE OF THE 52" FRONT SIDE CORNER RIGHT IN THIS STEP.

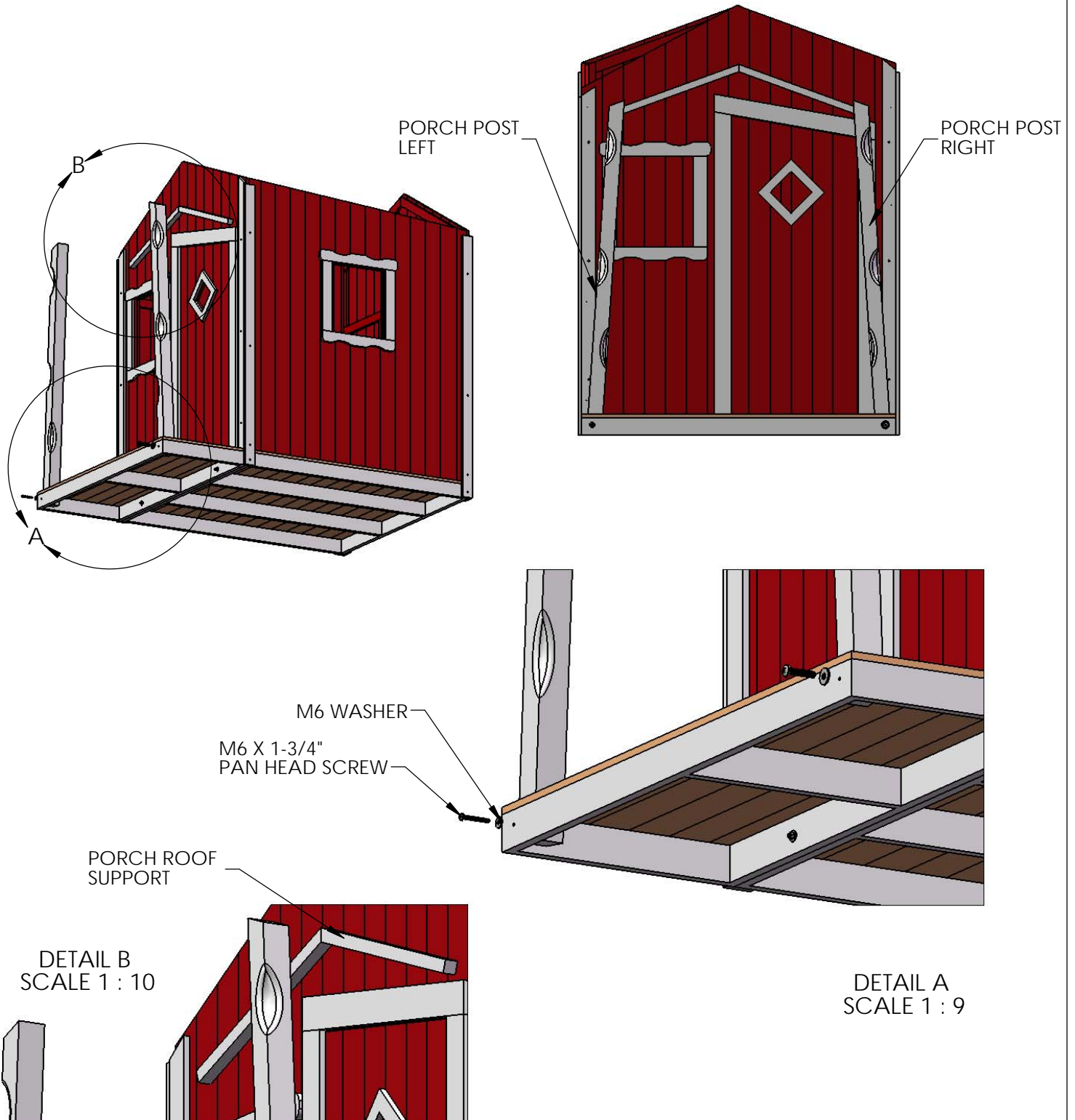


STEP 9: ATTACHING THE PORCH POSTS

1: LOCATE TWO PORCH POSTS (LEFT AND RIGHT).

2: ATTACH THE PORCH POSTS TO THE PORCH FLOOR. FLUSH THE BOTTOM OF THE PORCH POSTS TO THE BOTTOM OF THE PORCH FLOOR. USE AN M6 X 1-3/4" PAN HEAD SCREW WITH AN M6 WASHER TO FASTEN THE PORCH FLOOR TO THE THREADED INSERT IN THE PORCH POST.

2: DO NOT TIGHTEN THE PAN HEAD SCREWS IN THIS STEP.

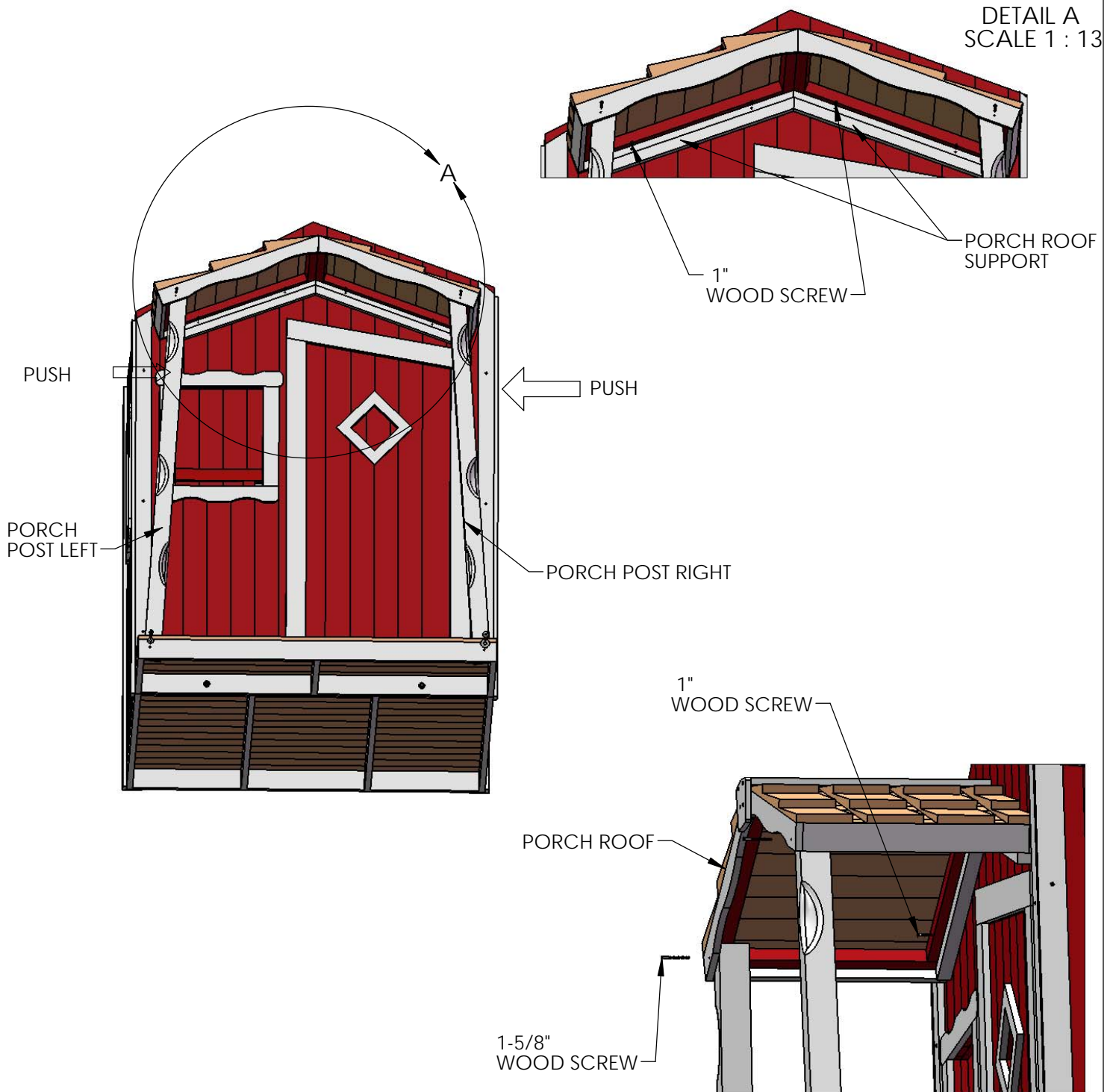


STEP 10: ATTACHING PORCH ROOF

1: ATTACH THE PORCH ROOF TO THE FRONT WALL ON TOP OF THE PORCH ROOF SUPPORTS. USE 1" WOOD SCREWS IN THE PREDRILLED HOLES.

2: PUSH THE TWO PORCH POSTS INSIDE THE PORCH ROOF . USE 1-5/8" WOOD SCREWS IN THE PREDRILLED HOLES.

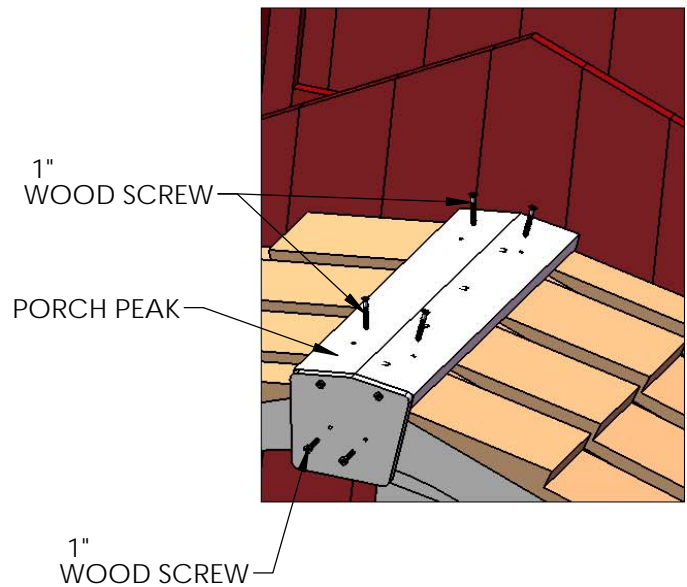
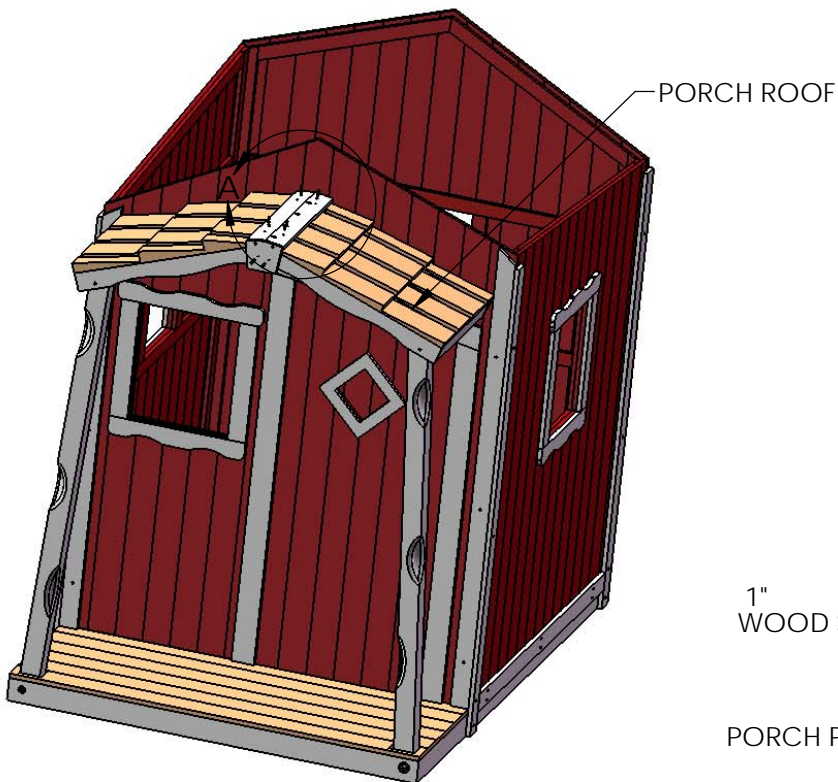
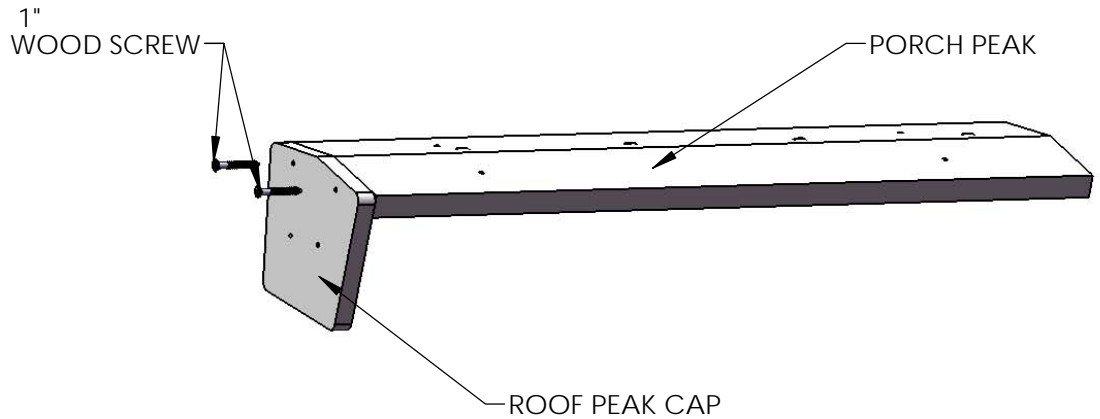
3: TIGHTEN THE PAN HEAD SCREWS AT THE BOTTOM OF EACH PORCH POST.



STEP 11: ATTACHING PORCH PEAK

1: ASSEMBLE THE ROOF PEAK CAP AND THE ROOF PEAK. USE 1" WOOD SCREWS IN THE PREDRILLED HOLES.

2: ATTACH THE PORCH PEAK YOU JUST ASSEMBLED TO THE PORCH ROOF. USE SIX 1" WOOD SCREWS IN THE PREDRILLED HOLES.

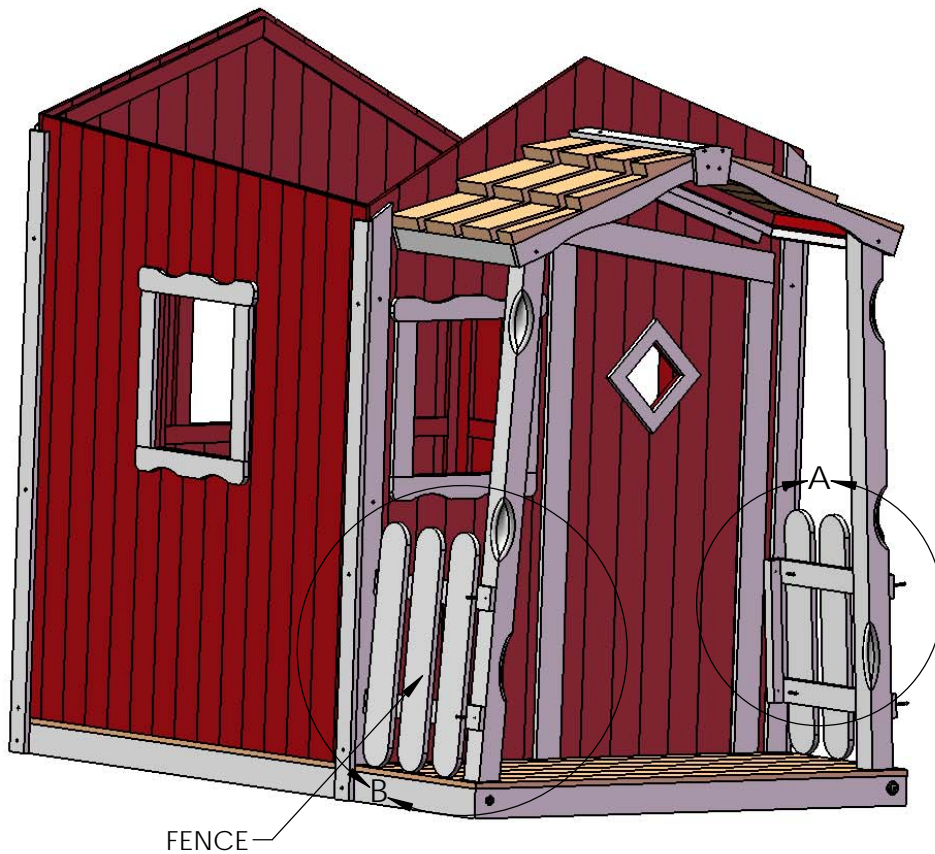


DETAIL A
SCALE 1 : 6

STEP 12: ATTACHING THE FENCES

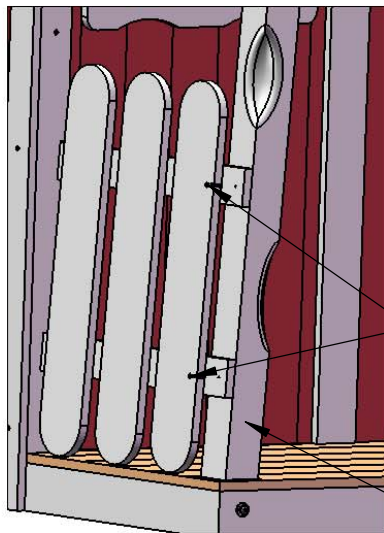
1: ATTACH THE FENCE TO THE PORCH POST FLUSH TO THE OUTSIDE OF THE PORCH POST. USE 1-3/8" WOOD SCREWS IN THE PREDRILLED HOLES.

2: ATTACH THE FENCE TO THE FRONT WALL ON THE INSIDE. USE 1-3/8" WOOD SCREWS IN THE PREDRILLED HOLES.



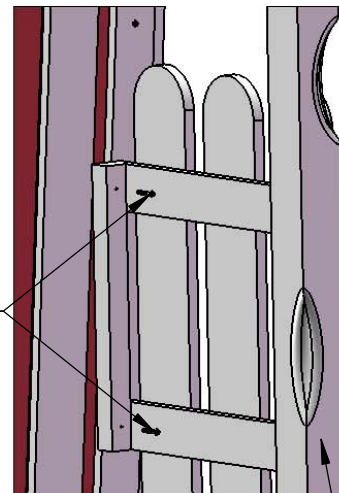
FENCE

1-3/8"
WOOD SCREW



1-3/8"
WOOD SCREW

PORCH POST
LEFT



1-3/8"
WOOD SCREW

PORCH POST
RIGHT

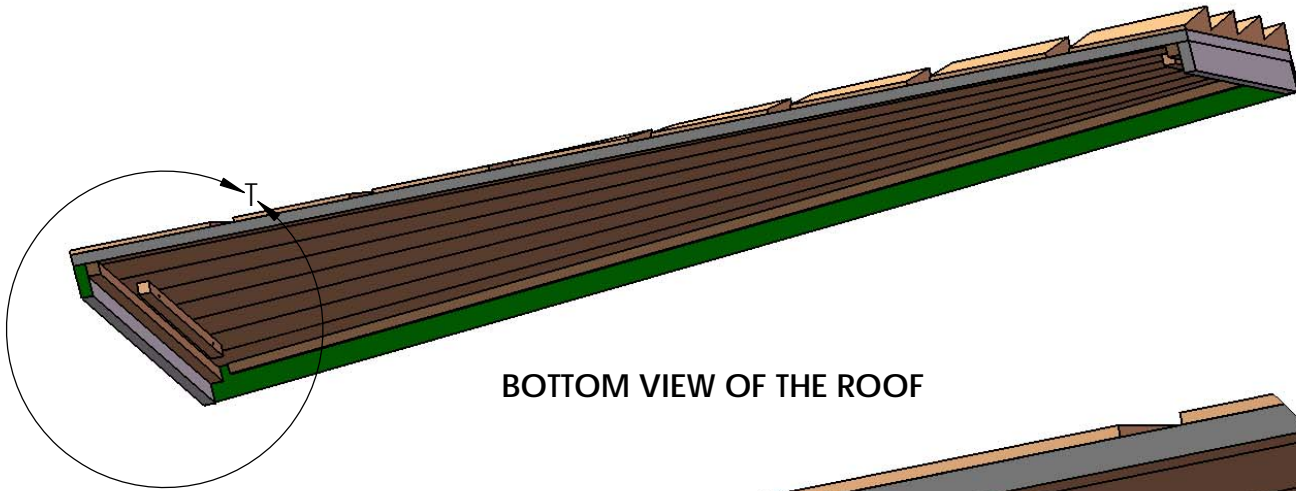
DETAIL B
SCALE 1 : 10

DETAIL A
SCALE 1 : 8

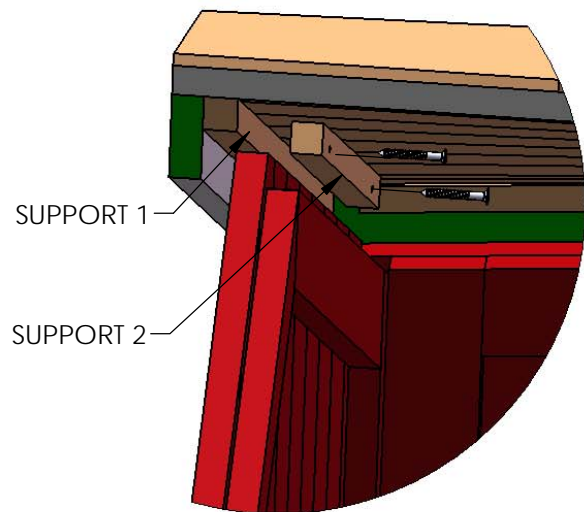
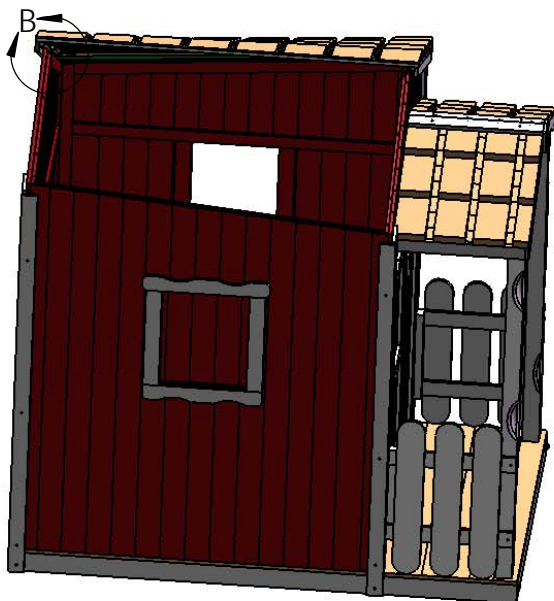
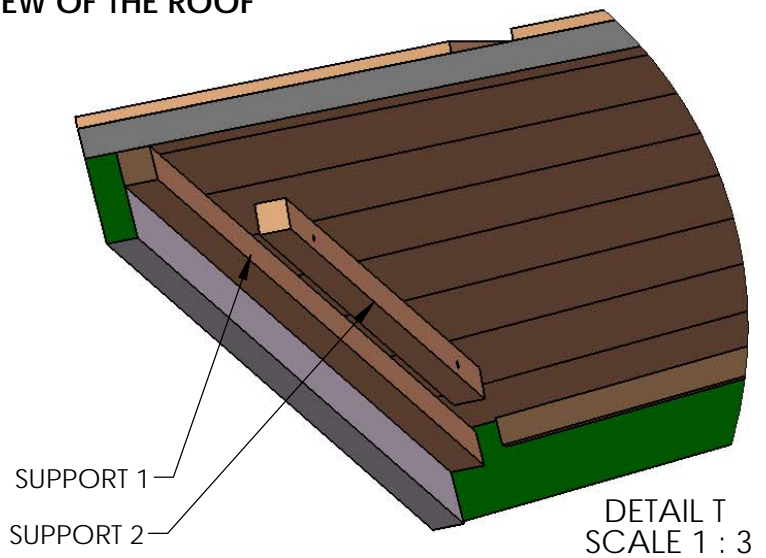
STEP 13A: ATTACHING ROOF

1: THIS PAGE JUST SHOWS THE ROOF PEAK VIEWS.

2: STEP 13B EXPLAINS HOW TO ATTACH THE ROOF.



BOTTOM VIEW OF THE ROOF



DETAIL B
SCALE 1 : 3

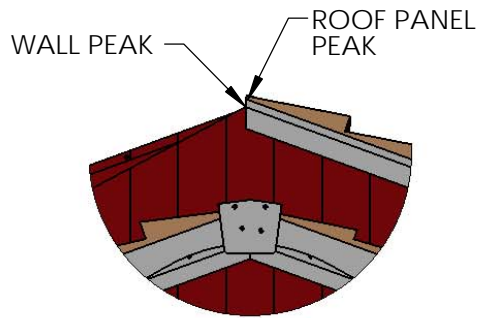
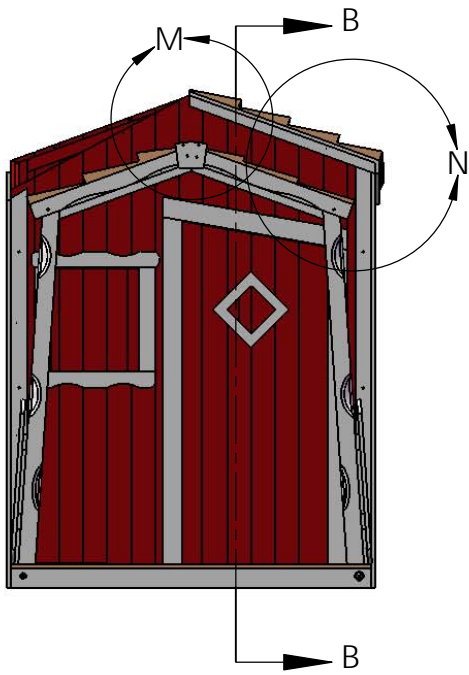
STEP 13B: ATTACHING ROOF PANELS

1: ATTACH THE FRONT SIDE OF THE ROOF AS SHOWN BELOW (**SECTION B-B**) MAKE SURE THE WALL GOES BETWEEN SUPPORT 1 & 2 AS SHOWN **DETAIL A**. USE 1-5/8" WOOD SCREWS IN THE PREDRILLED HOLES INSIDE THE ROOF. DO NOT OVER TIGHTEN THE SCREWS.

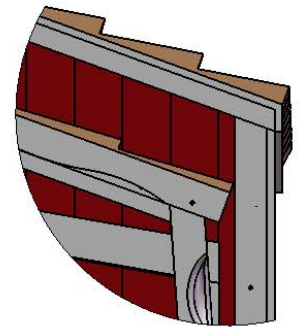
2: ATTACH THE BACK SIDE OF THE ROOF BY PUSHING OR PULLING DOWN ON THE ROOF TO MAKE IT TWISTED AS SHOWN IN **SECTION B-B**.

3: MAKE SURE THE ROOF PANEL PEAK IS FLUSH WITH THE WALL PEAK AS SHOW IN **DETAIL M**.

4: REPEAT SUB-STEP 1, 2, 3 FOR LEFT ROOF SECTION.

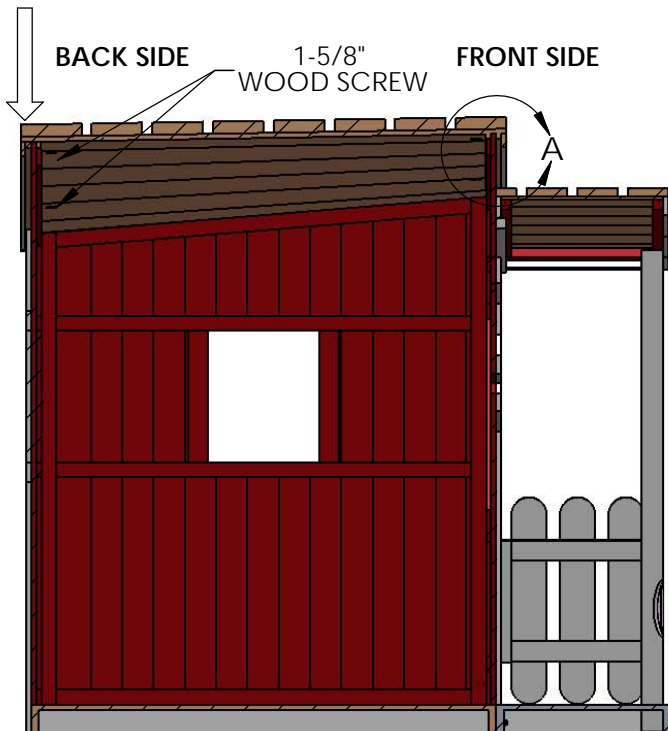


DETAIL M
SCALE 1 : 12

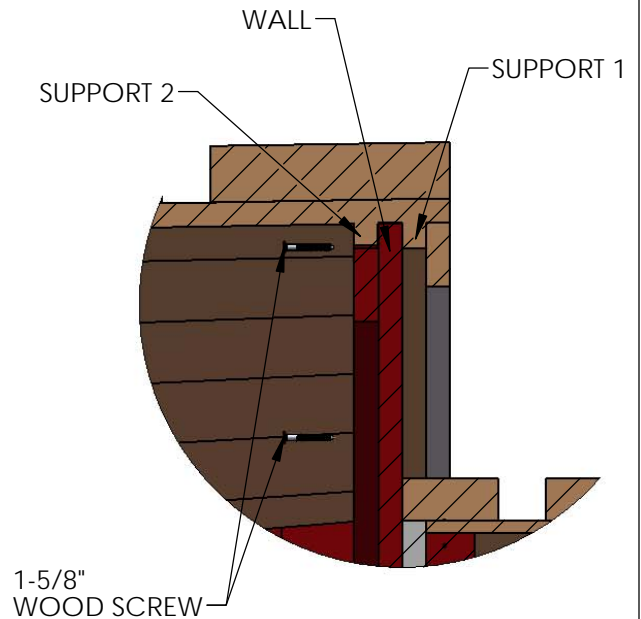


DETAIL N
SCALE 1 : 12

PUSH OR PULL DOWN



SECTION B-B

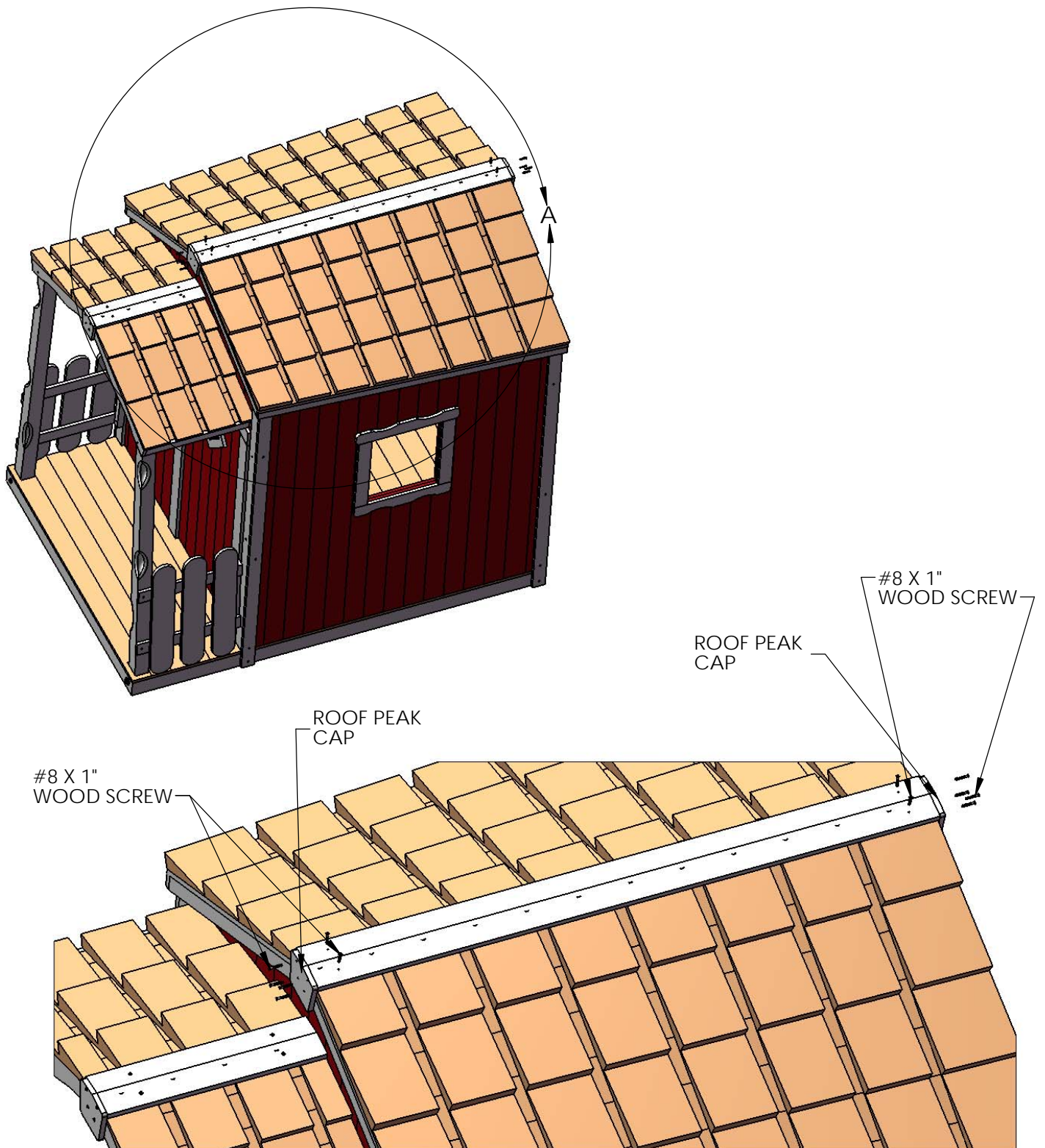


DETAIL A
SCALE 1 : 4

STEP 14: ATTACHING ROOF PEAK AND CAPS

1: ATTACH THE ROOF PEAK TO THE ROOF PANEL. USE #8 X 1-1/4" WOOD SCREWS IN THE PREDRILLED HOLES.

2: ATTACH A ROOF PEAK CAP TO THE END OF ROOF PEAKS. USE #8 X 1" WOOD SCREWS IN THE PREDRILLED HOLES.



DETAIL A
SCALE 1 : 10

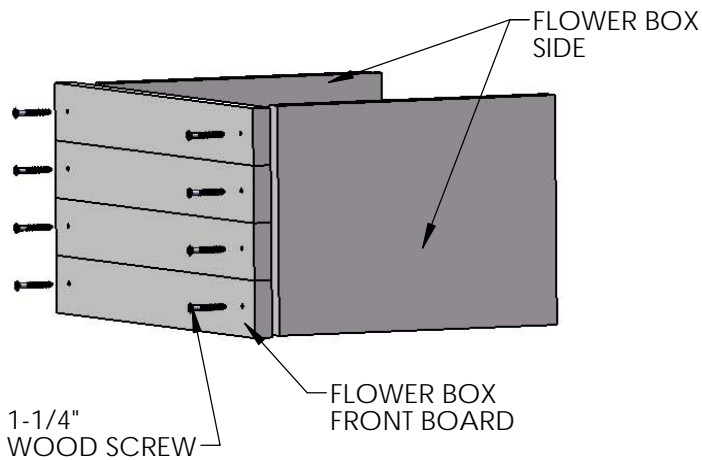
STEP 15: ASSEMBLE THE FLOWER BOX

1: LOCATE FOUR FLOWER BOX FRONT BOARDS, FOUR FLOWER BOX BACK BOARDS, TWO FLOWER BOX SIDES AND A FLOWER BOX BOTTOM.

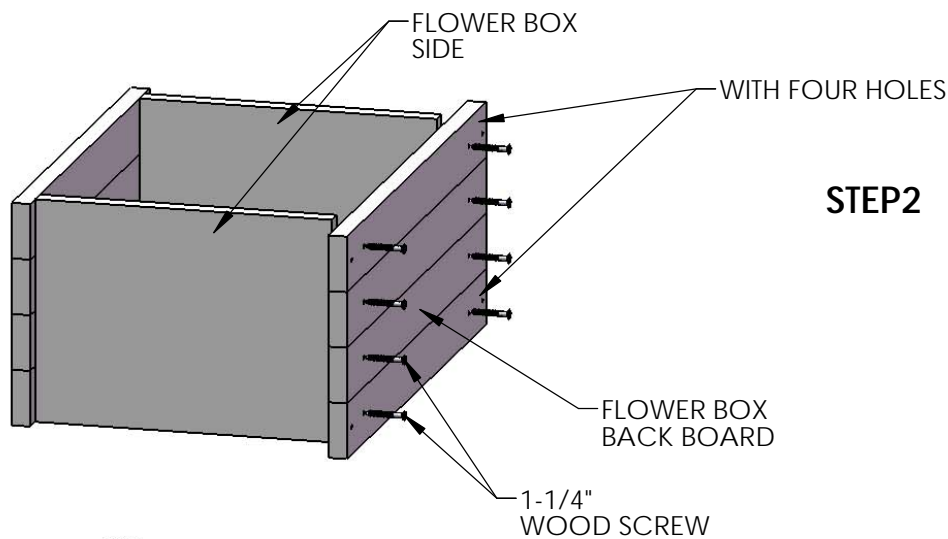
2: ATTACH FOUR FLOWER BOX FRONT BOARDS TO THE FLOWER BOX SIDES. USE 1-1/4" WOOD SCREWS AS SHOWN IN STEP 1.

3: ATTACH FOUR FLOWER BOX BACK BOARDS TO THE FLOWER BOX SIDES. USE 1-1/4" WOOD SCREWS. ATTACH THE BOARD WITH FOUR HOLES AT THE REAR-TOP AND BOTTOM OF THE FLOWER BOX AS SHOWN IN STEP 2.

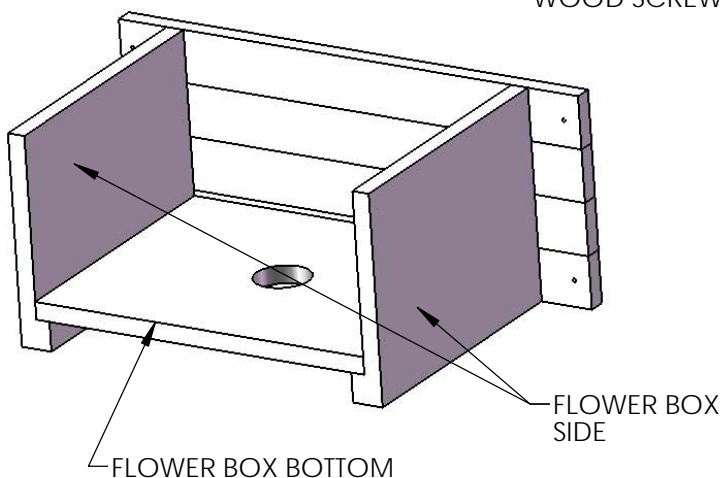
4: PLACE THE FLOWER BOX BOTTOM BETWEEN THE FLOWER BOX SIDES. DO NOT USE WOOD SCREWS AS SHOWN IN STEP 3.



STEP1



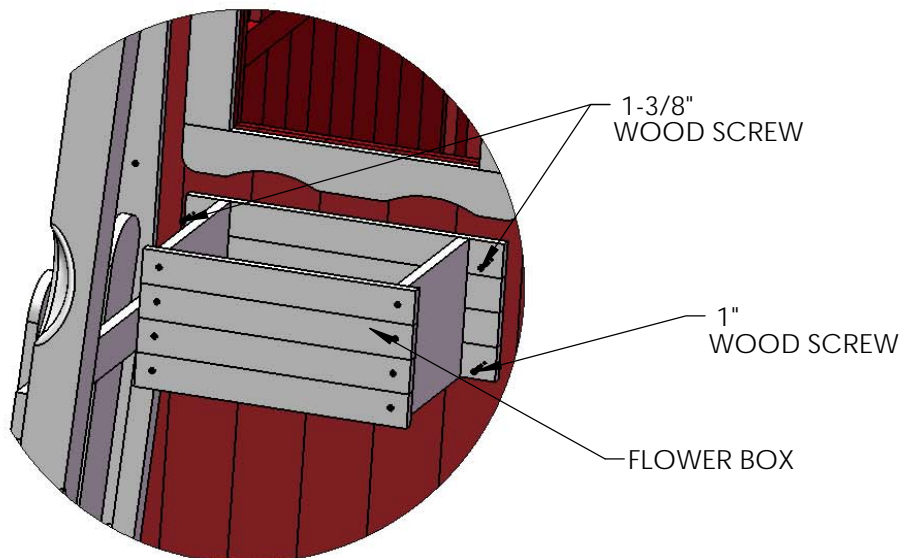
STEP2



STEP3

STEP 16: ATTACH THE FLOWER BOX

2: ATTACH THE FLOWER BOX WITH ON THE FRONT WALL UNDER THE WINDOW. USE TWO 1-3/8" WOOD SCREWS ON THE TOP BOARD AND USE TWO 1" WOOD SCREWS ON THE BOTTOM BOARD.

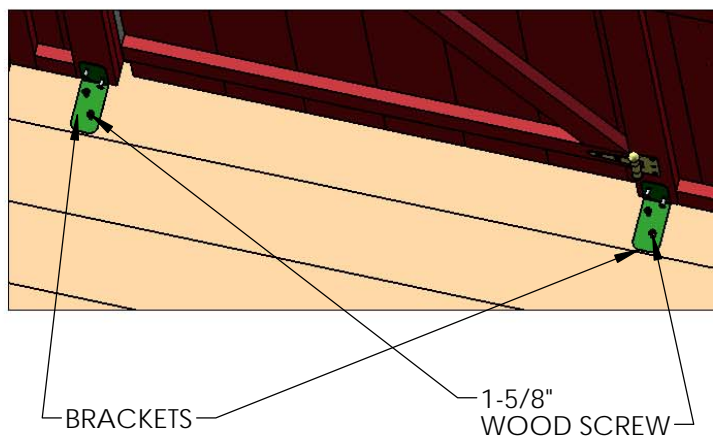
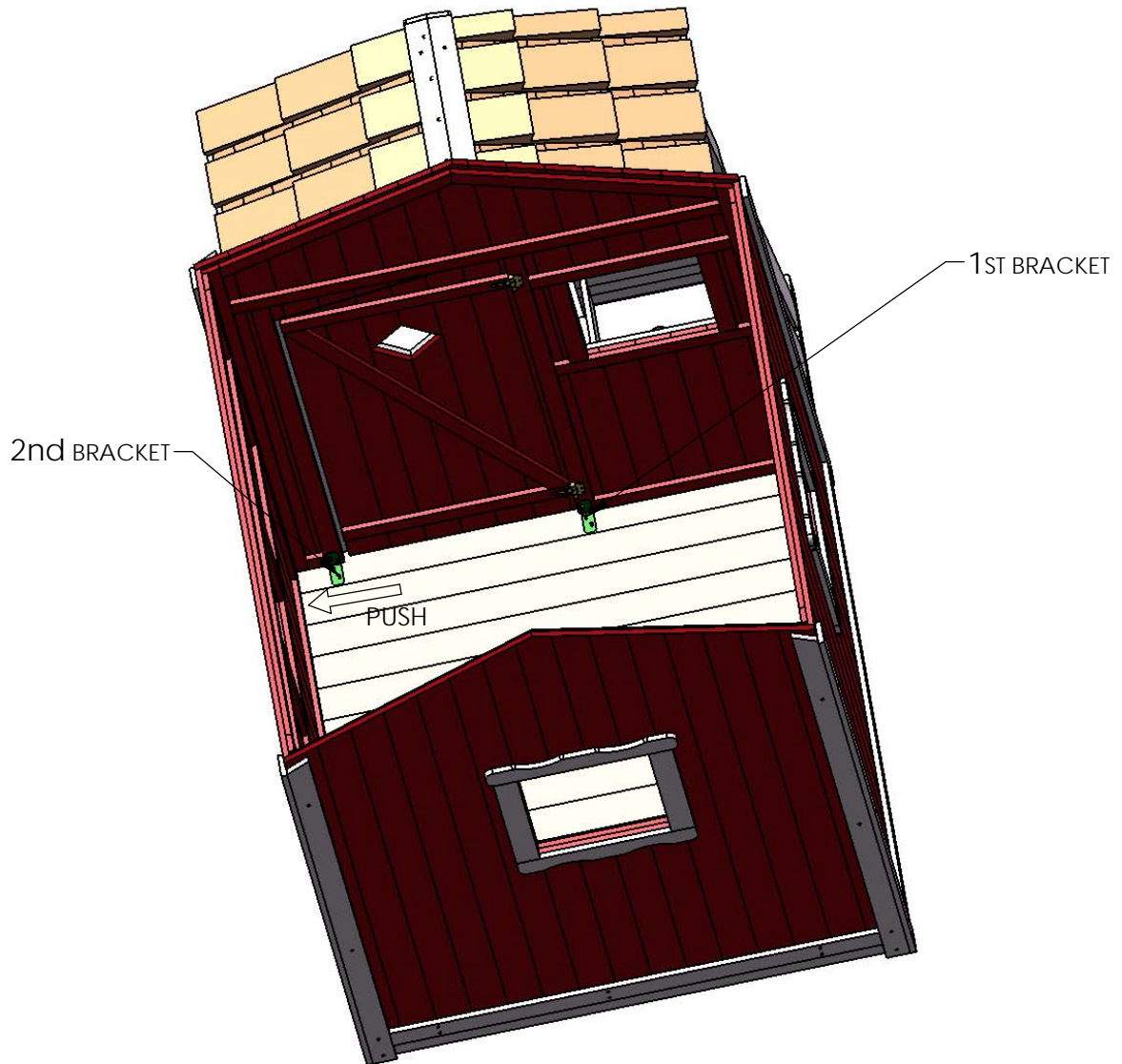


DETAIL A
SCALE 1 : 8

STEP 17: ATTACHING FRONT WALL TO THE FLOOR

1: ATTACH TWO BRACKETS ON THE INSIDE OF THE FRONT WALL NEXT TO THE DOOR . USE 1-5/8" WOOD SCREWS.

2: IF THE DOOR DOES NOT CLOSE PROPERLY PUSH THE SIDE WALL OVER AND THEN INSTALL THE 2nd BRACKET.



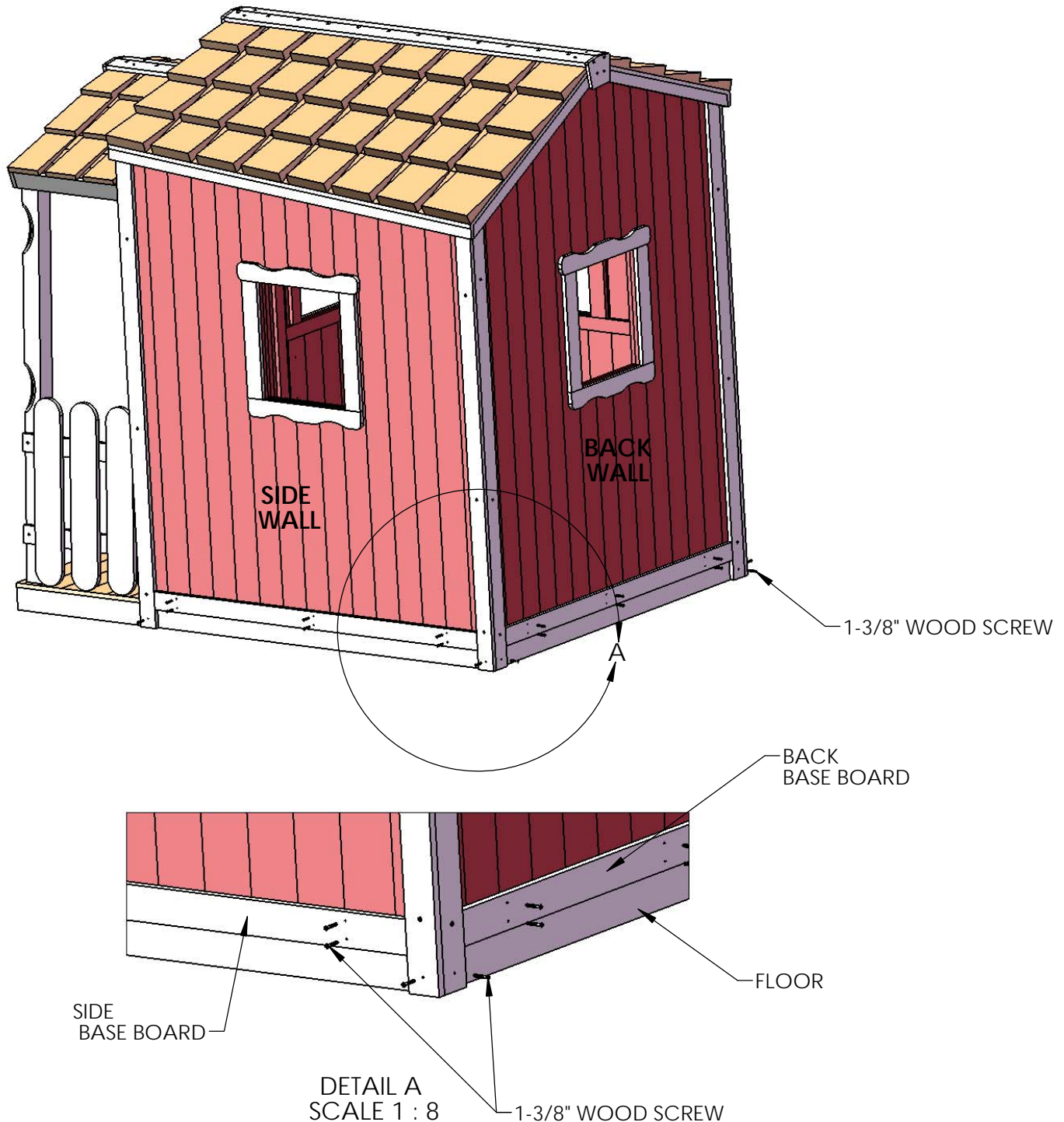
STEP 18: ATTACHING THE BASE BOARDS

1: LOCATE TWO SIDE BASE BOARDS AND A BACK BASE BOARD.

2: ATTACH THE SIDE BASE BOARD BETWEEN THE FLOOR AND THE SIDE WALL. USE SIX 1-3/8" WOOD SCREWS IN THE PREDRILLED HOLES TO COVER THE GAP BETWEEN THE FLOOR AND WALLS. REPEAT ON THE OTHER SIDE.

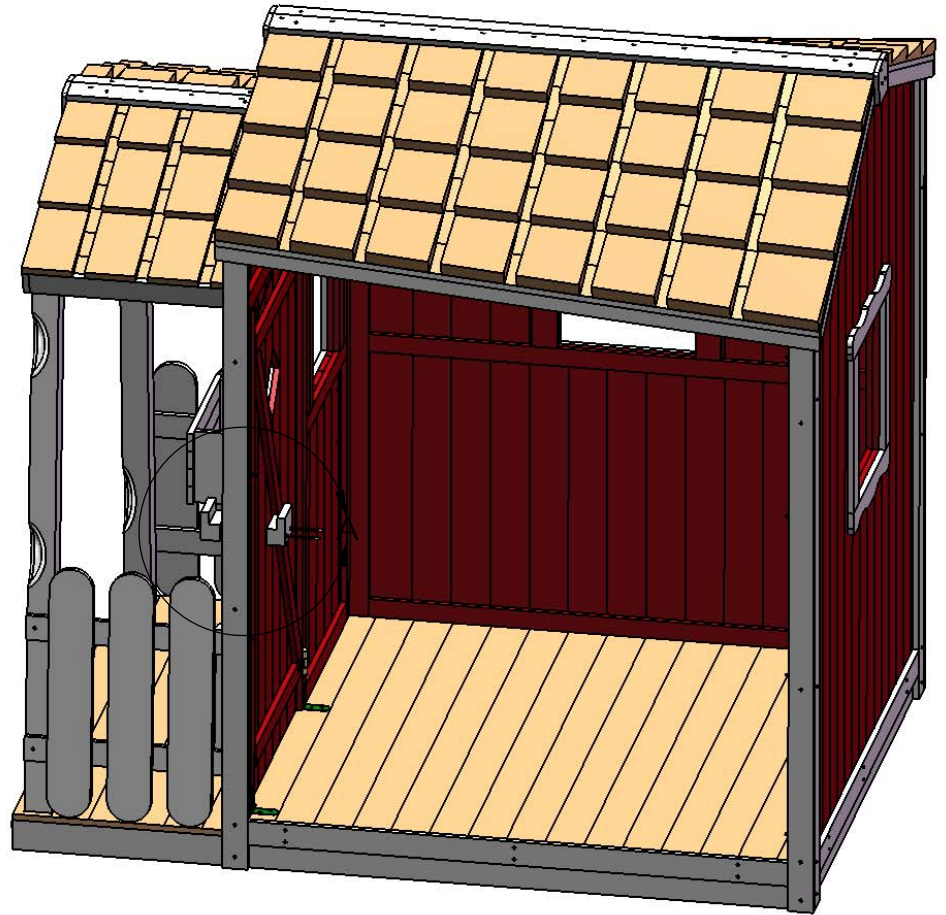
3: ATTACH THE BACK BASE BOARD BETWEEN THE BACK WALL AND FLOOR. USE SIX 1-3/8" WOOD SCREWS IN THE PREDRILLED HOLES TO COVER THE GAP BETWEEN THE FLOOR AND WALL.

4: PUT IN ALL THE SCREWS ON THE BOTTOM CORNER BOARDS YOU LEFT OUT FROM STEP 5, 6, 7 AND 8.

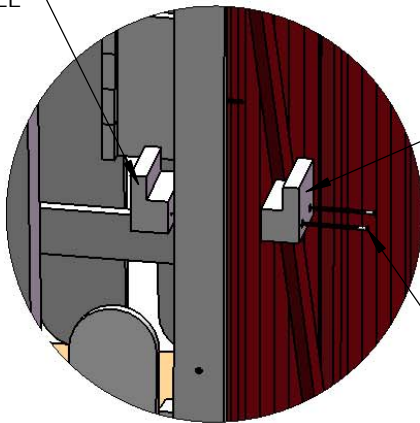


STEP 19: ATTACHING HANDLE

1: ATTACH THE HANDLE TO THE DOOR . USE TWO 2-1/2" WOOD SCREWS IN THE
PREDRILLED HOLES.



HANDLE



HANDLE WITH
COUNTER BORED HOLES

#8 X 2-1/2"
WOOD SCREW

DETAIL A
SCALE 2 : 15