

TIC TAC TOE (07-0010)

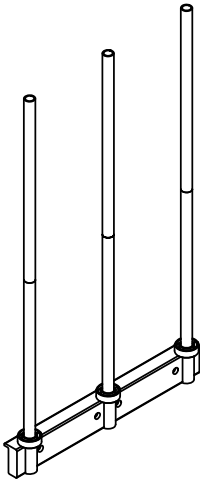
STEP 1: ASSEMBLE THE DOWELS

- 1: LOCATE THE GREEN DOWELS AND MATCH THEM AS FOLLOWS:
ONE THREADED STUD END, AND ONE THREADED INSERT.
- 2: SCREW THE STUDS INTO THE INSERTS UNTIL TIGHT.
- 3: REPEAT STEPS 1 AND 2 WITH THE REMAINING TWO SETS



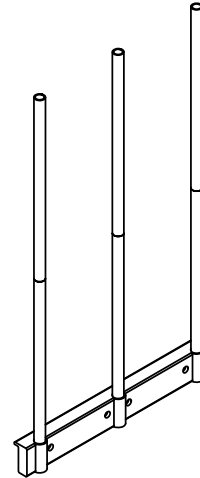
STEP 3: INSERT COLLARS ONTO DOWELS

- 1: LOCATE THE BLUE COLLARS AND SLIDE THEM OVER THE DOWELS



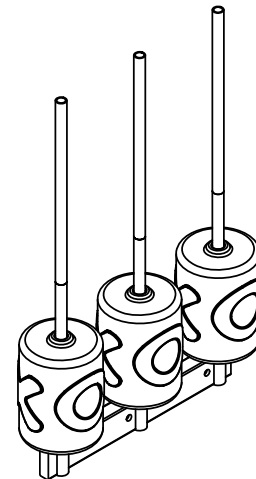
STEP 2: INSERTING THE DOWELS INTO THE BRACKET

- 1: LOCATE ONE OF THE GREEN BRACKETS AND PLACE THE DOWELS IN AS SHOWN.



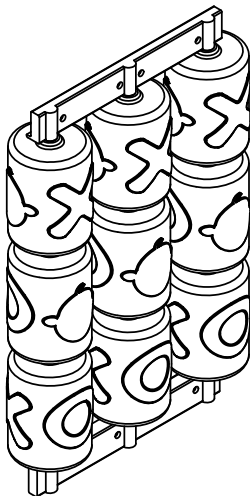
STEP 4: TUMBLERS

- 1: LOCATE THE TIC-TAC-TOE TUMBLERS AND PLACE ONE ON EACH DOWEL ABOVE THE COLLARS.
- 2: REPEAT ASSEMBLY STEPS 3 AND 4 TO FINISH INSTALLING COLLARS AND TUMBLERS.



STEP 5: TOP BRACKET

- 1: LOCATE THE GREEN BRACKET AND PLACE ON TOP OF ASSEMBLY. LINE UP THE HOLES IN THE BRACKET WITH THE DOWELS ON THE UNIT.



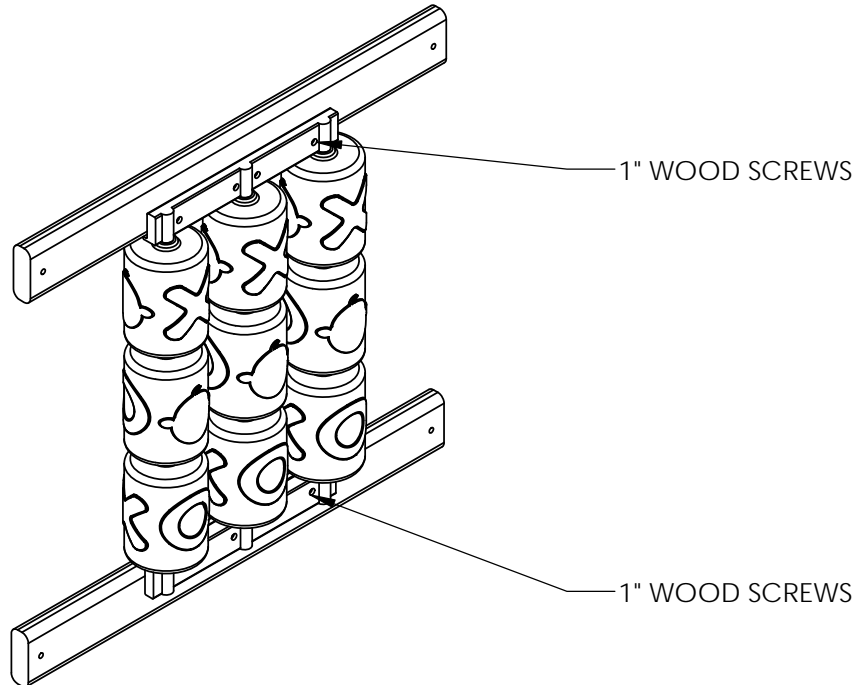
Please note: Tic-Tac-Toe is intended for make-believe-play by children.

FOR RESIDENTIAL USE ONLY
FOR CHILDREN AGES 3-11

TIC TAC TOE (07-0010)

STEP 6: MOUNTING TO THE UNIT

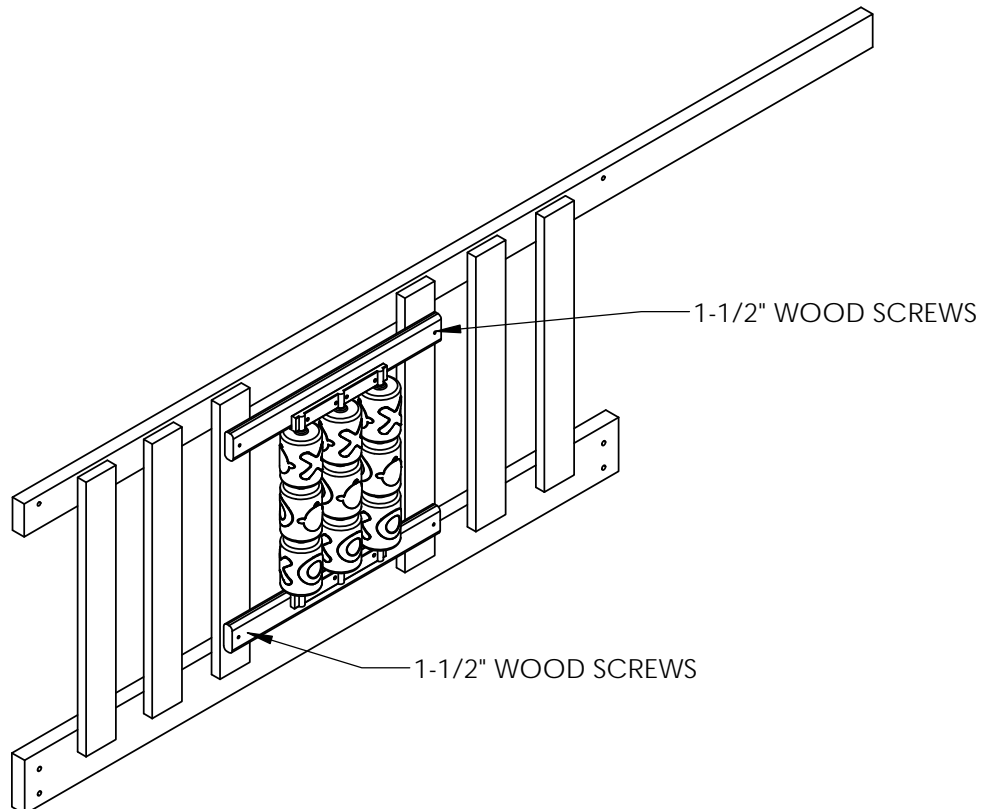
REMOVE THREE 5/4 X 2-3/4 X 28-1/2"* SLATS FROM THE BACK OR SIDE OF THE UNIT AND CUT TWO OF THEM TO 23-3/4". CENTER THE MODULE ON THE BOARDS AND USE EIGHT 1" SCREWS TO FASTEN THEM TOGETHER.



*IF YOUR UNIT DOES NOT HAVE SLATS THIS SIZE YOU WILL NEED TO OBTAIN THE CORRECT SIZE BOARD AS STATED ABOVE.

STEP 7: MOUNTING TO THE UNIT (CONTINUED)

MOUNT THE UNIT TO THE SLATS ON THE BACK OR SIDE WALL USING FOUR 1-1/2" WOOD SCREWS. OPENING SIZE SHOULD BE 18-1/4"W" X 22-3/4"H.*



*SLATS MAY NEED TO BE RECENTERED FOR PROPER OPENING SIZE