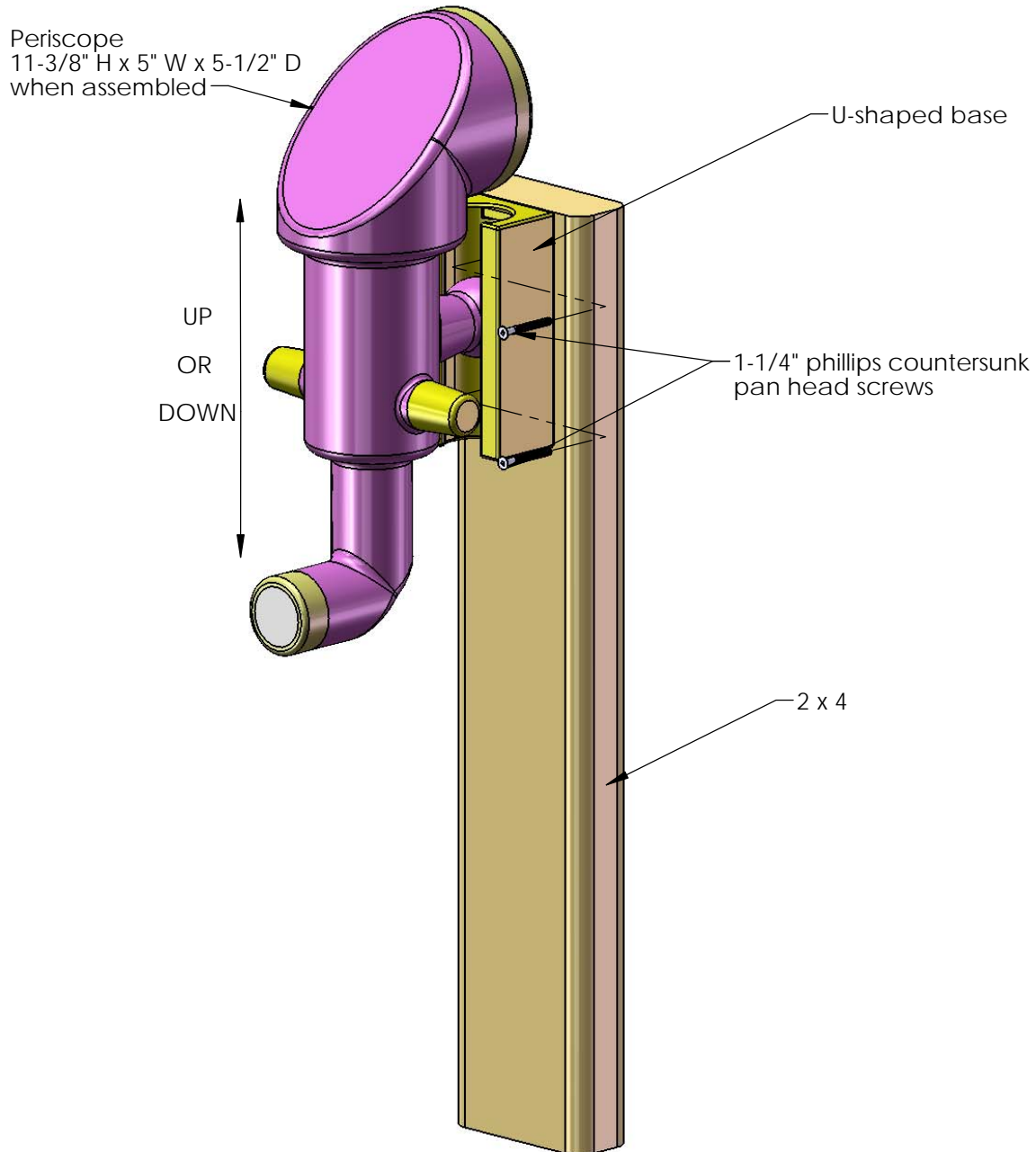


# Looney Periscope (07-0021)

## Mounting to 2 x 4 board

1: Fasten the U-shaped base on the side of a post or railing. Fasten the base to the railing or post with the 1-1/4" phillips countersunk head screws provided.

2: When the U-shaped base is mounted vertically as shown below the child may simulate the up and down movement of a real periscope. The U-shaped base may also be mounted horizontally if mounting vertically is not possible.



**!WARNING! \*\*DO NOT LOOK INTO SUN OR OTHER BRIGHT LIGHTS WITH PERISCOPE\*\***

Please note: Periscope does not magnify objects.  
Periscope does contain mirrors inside and does function like a real periscope.  
Periscope is intended for make-believe play by children.

**\*FOR RESIDENTIAL USE ONLY\***  
**\*FOR CHILDREN AGES 3-11\***