



Wildwood

ASSEMBLY MANUAL

Copyright © 2012 PlayNation Play Systems, Inc.

All Rights Reserved

www.PlayNation.com • 190 Etowah Industrial Court • Canton, GA 30114 • (800) 661-7295

Latest Revision: March 20, 2012

TABLE OF CONTENTS

Warranty and Safety Guidelines.....	Pages 3-10
Leveling play set, General Information and Site Plan.....	Pages 10-15
Kit Contents and Tool List.....	Page 16
Hardware and Lumber Checklist.....	Pages 17-26
Adding T-Nuts to Corner Posts.....	Step 1
Framing Fort.....	Steps 2-7
Leveling Play Set.....	Step 8
Angle Support Installation.....	Steps 9-11
Attaching Deck Boards, Deck Spacers and Deck Stringer.....	Steps 12-15
Top and Bottom Panel Boards.....	Steps 16-17
Building and Mounting Rockwall/Ladder Combination.....	Steps 18-25
Mounting Tarp Boards.....	Steps 26-28
Panel Slat Installation.....	Steps 29-31
Trapeze Arm and Safety Board Installation.....	Steps 32-33
Swing Beam Assembly.....	Steps 34-41
Hanging Swings.....	Step 42
Attaching Rock Wall Rocks and Rock Wall Rope.....	Step 43
Attaching Safety Handles.....	Step 44
Tic Tac Toe Assembly and Installation.....	Steps 45-46
Mounting Steering Wheel and Telescope.....	Steps 47-48
Tarp Installation.....	Step 49
Slide Installation.....	Step 50
Installing Flag Kit, Name Plate and Ground Stakes.....	Steps 51-52
Customer Registration Card.....	Last Page

**PLEASE READ OWNER'S MANUAL CAREFULLY
BEFORE STARTING ASSEMBLY!**

IMPORTANT – PLEASE READ

As fresh lumber acclimates to its new environment, the natural tendencies of the tree can show itself in the form of checks, or “cracks” in the lumber. In almost all cases this is normal and it will not affect the structural integrity of your play set.

Cosmetic defects that do not affect the structural integrity of the product, or natural defects of wood such as warping, checking or any other physical properties of wood that do not present a safety hazard, are not covered by this warranty. Defects that develop because the product is exposed to extreme climate conditions are not covered by this warranty. Defects that develop as a result of faulty or improper installation of the product are also not covered by this warranty.

Most cracks are not warrantable, however if you believe that the integrity of your play set is compromised by this natural occurrence, please follow the warranty claim procedure found at www.playnation.com. Click on the “Customer Care” tab on the left hand side of the page, then click on “Warranty Claim” and follow the instructions.

We appreciate your purchase and know that you will enjoy your play system for many years to come.

IF YOU HAVE MISSING OR DAMAGED PARTS OR NEED ASSISTANCE ASSEMBLING, PLEASE CALL PlayNation Play Systems, Inc. MANUFACTURING DIRECT.(800) 445-7529 FACTORY HOURS – MON.–FRI., 8AM-5PM EST DO NOT RETURN THIS PRODUCT TO THE RETAILER OR CONTACT THE RETAILER DIRECT. THE RETAILER DOES NOT STOCK COMPONENTS. PLEASE RETAIN THESE INSTRUCTIONS FOR FUTURE REFERENCE. KEEP THEM IN A SAFE PLACE WHERE YOU CAN REFER TO THEM AS NEEDED.

CONTACT INFO:

PlayNation Play Systems, Inc.
190 Etowah Industrial Court
Canton, GA 30114
Tel. (770) 704-9300
Fax. (678) 880-3300
custsrv@playnation.com

Check for revised instructions at www.playnation.com/instructions.html

Thank you for choosing PlayNation Play Systems, Inc.

We've included everything you need, except tools, to build your very own professional looking play set. When complete, your new play set should far exceed the quality of play set kits from other build-your-own companies. Our engineers and design team have over 30 years of playground experience. What we've developed is a play set that doesn't compromise quality for simplicity. Yet you'll appreciate how quick and easy construction really is! Our play set kits are designed for children ages 3 to 11. PlayNation Play Systems, Inc. believes every child should have a play set and with our kits they can! You can rest assured your new play set is safe, durable and designed to hold up to the elements. As parents ourselves, we know how important the security and well-being of our children is, and this shows in all of our products.

Each play set features our step-by-step 3D illustrated manual, patented powder coated swing beam bracket, heavy-duty swing belts with chains, slide(s), accessories, plus all the required hardware and pre-milled lumber.

Limited Manufacturers Warranty

PlayNation Play Systems, Inc. (“PlayNation”) warrants its Mystic™ series play sets to be free from defects in workmanship and materials, under normal use and conditions for a period of 15 years for structural wood components and for one year for all other components (e.g., hardware, plastics, tarps, rope ladder, etc.)

Cosmetic defects or natural defects of wood (e.g., warping, seasonal checking or cracking, knots, or knot holes, etc.) that do not affect the structural integrity of the product are not covered by this warranty. Defects that develop because the product is exposed to extreme climate conditions, excessive water exposure, lumber that has been damaged by wood boring bees or defects that develop as a result of faulty or improper installation of the product, are not covered by this warranty. Fading, discoloration or molding of any wood part or accessory, cracks in plastic components, surface rust on hardware, and chips on powder coated materials are not considered defects in material as long as they do not affect the functionality or structural integrity of the part or component.

It is the owner’s responsibility to properly maintain the play set. Instructions for proper maintenance can be found on PlayNation’s website. Imperfections or defects that develop because of a failure to properly maintain the play set are not covered by this warranty.

PlayNation will repair or, at its discretion, replace any part within the stated warranty period that is defective in workmanship or materials. This decision is subject to verification of the defect, which, at PlayNation’s discretion, may be accomplished by submitting photographs or by delivery of the defective part to PlayNation. Any warranty claim must include proof of purchase, including the date of purchase. In addition, within the first 30 days from the date of purchase, PlayNation will replace any parts discovered to be missing from or damaged in the original packaging.

This warranty is valid only if the product is used for the purpose for which it was designed and installed at a residential, single-family dwelling. This warranty is void if the product is used in a commercial or institutional setting. This warranty does not cover (a) products that have been damaged by acts of God, negligence, misuse, or accident, or that have been modified or repaired by unauthorized persons; (b) the cost of labor; or (c) the cost of shipping the product, any part, or any replacement product or part.

PLAYNATION DISCLAIMS ALL OTHER REPRESENTATIONS AND WARRANTIES OF ANY KIND, EXPRESS, IMPLIED, STATUTORY, OR OTHERWISE, INCLUDING THE IMPLIED WARRANTIES OF MERCHANTABILITY AND FITNESS FOR A PARTICULAR PURPOSE. PLAYNATION WILL NOT BE LIABLE FOR ANY INCIDENTAL OR CONSEQUENTIAL DAMAGES. This warranty is valid only in the United States of America, is nontransferable and does not extend to the owners of the product subsequent to the original purchaser. Some states do not allow limitations on implied warranties or exclusion of incidental or consequential damages, so these restrictions may not be applicable to you. This warranty gives you specific legal rights. You may also have other rights which vary from state to state.

Important Safety Guidelines

This product is intended for residential use only and not intended for use in any public setting. A safety surface such as mulch or recycled tire should be used under the play set to prevent injury from falls. **Also a 6 foot safety zone should be used around the entire play set.**

As with any home project, good judgment and respect for power tools will greatly reduce the risk of injury. PlayNation recommends you follow all tool manufacturers' safety guidelines. Always wear eye protection and safety gloves to prevent injury. In several phases of construction two people may be required for lifting and securing of lumber. While play set is being constructed, please keep children off the equipment until the project is complete. Bolts and screw heads should be checked regularly for tightness. The ground ladder, rope ladder, slide, swings and other areas where children spend a majority of their playtime should be checked more frequently.

PlayNation shall not be liable for incidental, indirect or consequential damages or injuries that result from the building and/or playing on our play sets. Adult supervision is recommended anytime a play set is being used.

WEIGHT LIMITS FOR PlayNation Play Systems

- FORT PLATFORMS: 800 LBS. TOTAL WEIGHT
- SWING BELTS: 225 LBS.
- GLIDER SWINGS: 70 LBS. PER CHILD. UP TO 140 LBS TOTAL.
- TRAPEZE: 125 LBS.
- FULL BUCKET SWING: 50 LBS.
- HALF BUCKET SWING: 50 LBS.
- INFANT SWING: 35 LBS.
- TIRE SWING: 125 LBS. TOTAL WEIGHT
- ROPE LADDER: 75 LBS.
- ROCK WALL: 150 LBS.
- WAVE SLIDE: 150 LBS.

PlayNation recommends that the weight limits for all components must not be exceeded. Failure to adhere to these and other safety guidelines could result in damage to the play set and injury to the users.

Safety and Maintenance Tips for Your New Play Set:

NOTE: Your children's safety is our #1 concern. Observing the following statements and warnings reduces the likelihood of serious or fatal injury. Please review these safety rules regularly with your children.

- This play set is designed for the use of 4 occupants who have a combined weight not exceeding 800 pounds on the elevated floor, 3 occupants who have a combined weight of 525 pounds on the swing areas, for a total unit capacity of 7 occupants who have a combined weight of 1325. (this weight is not including the picnic table area)
- On-site adult supervision is required.
- Teach children not to walk close to, in front of, behind, or between moving swings or other moving playground equipment.
- Teach children to sit in and never stand on swings.
- Teach children not to twist the chains and ropes and not to loop them over the swing beam, since this may reduce the strength of the chain or rope.
- Teach children not to jump from swings or other playground equipment in motion.
- Teach children not to push empty seats. The seat may hit them and cause serious injury.
- Teach children to sit in the center of the swings with their full weight on the seats.
- Teach children not to use the equipment in a manner other than intended.
- Teach children to always go down slides feet first. Never slide headfirst.
- Teach children to look before they slide to make sure no one is at the bottom.
- Teach children to never run up a slide, as this increases their chances of falling.
- Parents should have children dress appropriately with well-fitting shoes. Loose clothing such as scarves and ponchos should not be worn. Always take off, tie up or tuck in cords and drawstrings on children's clothing. These things can get caught on playground equipment and strangle a child.
- Teach children not to climb when the equipment is wet.
- Teach children to never jump from a fort deck. They should always use the ladder, ramp or slide.
- Teach children to never crawl or walk across the top of monkey bars.
- Teach children to never crawl on top of a fort roof.
- Verify that any suspended climbing ropes, chains, or cables are secured at both ends.
- Verify climbing ropes are tight enough that they cannot be wrapped around an adult hand.
- Teach children not to attach items to the playground equipment that are not specifically designed for use with the equipment, such as, but not limited to, jump ropes, clothesline, pet leashes, cables and chain as they may cause a strangulation hazard.
- Teach children to never wrap their legs around swing chain.
- Teach children to never slide down the swing chain.

WARNING: Children must NOT use this play set until unit has been completely assembled and inspected by an adult to insure set has been properly installed and anchored.

Safety and Maintenance Tips for Your New Play Set: (continued)

Playgrounds should be inspected on a regular basis. If any of the following conditions are noted, they should be removed, corrected, or repaired immediately to prevent injuries.

- Hardware that is loose, worn or that has protrusions or projections.
- Exposed equipment footings.
- Scattered debris, litter, rocks, or tree roots.
- Splinters, large cracks, and decayed wood components.
- Deterioration and corrosion on structural components, which connect to the ground.
- Missing or damaged equipment components, such as handholds, guardrails, swing seats.
- Check all nuts and bolts frequently during the usage season and tighten as required. (But not so tight that you crack the wood) We recommend you check the swing beam and hardware often due to wood expansion and contraction. It is particularly important that this procedure be followed at the beginning of each season.
- Remove plastic swing seats and take indoors or do not use when the temperature drops below 32°F.
- Oil all metallic moving parts monthly during the usage period.
- Check all coverings for bolts and sharp edges twice monthly during usage season to be certain they are in place. Replace when necessary. It is especially important to do this at the beginning of each new season.
- Check swing seats, ropes, cables and chains monthly during usage season for evidence of deterioration. Replacement should be made of any swing seat that has developed cracks in the plastic seats. Ropes, cables and chains should be removed and replaced if excessive wear is found. Contact PlayNation for warranted replacement parts.
- For rusted areas on metallic members such as monkey bars, hand supports brackets, etc.; sand and repaint, using a non lead-based paint meeting the requirements of Title 16 CRF Part 1303.
- Inspect wood parts monthly. The grain of the wood sometimes will lift in the dry season causing splinters to appear. Light sanding may be necessary to maintain a safe playing environment. If you are treating your play set with stain regularly, it will help prevent severe checking/splitting and other weather damage.
- Once or twice a year, depending on your climate conditions, you must apply some type of protection (sealant) to the wood of your unit. Prior to the application of sealant, lightly sand any “rough” spots on your set. Please note this is a requirement of your warranty.
- Creating and maintaining the play set on a level location is very important. As your children play, your play set will slowly dig its way into the soil, and it is very important that it settles evenly. Make sure the play set is level and true once each year or at the beginning of each play season.
- Rake the playground surface periodically to prevent compaction and maintain appropriate depths.
- Disposal Instructions: When the play set is no longer desired, it should be disassembled and disposed of in such away that no unreasonable hazards will exist at the time the unit is discarded.

Play Set Surfacing Recommendations:

Below are some of the recommendations that the U.S. Consumer Product Safety Commission (CPSC) offers from its *Handbook for Public Playground Safety*. The guide can be downloaded in full at www.cpsc.gov/cpscpub/pubs/325.pdf

1. Protective Surfacing - Since almost 60% of all injuries are caused by falls to the ground, protective surfacing under and around all playground equipment is the most critical safety factor on playgrounds.

Certain manufactured synthetic surfaces also are acceptable; however, test data on shock absorbing performance should be requested from the manufacturer.

Asphalt and concrete are unacceptable. They do not have any shock absorbing properties. Similarly, grass and turf should not be used. Their ability to absorb shock during a fall can be reduced considerably through wear and environmental conditions.

Certain loose-fill surfacing materials are acceptable such as the types and depths shown in the table.

Fall Heights and Recommended Materials

Type Of Material	6 in. depth	9 in. depth	12 in. depth
Double-Shredded bark mulch	6' Fall Height	10' Fall Height	11' Fall Height
Wood Chips	6' Fall Height	7' Fall Height	12' Fall Height
Fine Sand	5' Fall Height	5' Fall Height	9' Fall Height
Shredded Tires*	10-12' Fall Height	n/a	n/a
Fine Gravel	6' Fall Height	7' Fall Height	10' Fall Height

*This data is from tests conducted by independent testing laboratories on a 6-inch depth of uncompressed shredded tire samples produced by four manufacturers. The tests reported critical heights, which varied from 10 feet to greater than 12 feet. It is recommended that persons seeking to install shredded tires as a protective surface request test data from the supplier showing the critical height of the material when it was tested in accordance with ASTM F1292.

It should be recognized that all injuries due to falls cannot be prevented no matter what surfacing material is used.

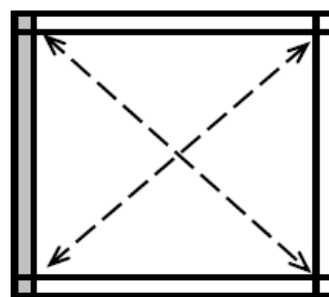
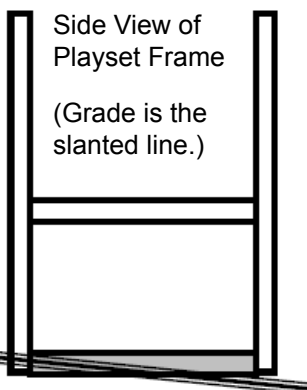
2. Fall Zones - A fall zone, covered with a protective surfacing material, is essential under and around equipment where a child might fall. This area should be free of other equipment and obstacles onto which a child might fall. Stationary climbing equipment and slides should have a fall zone extending a Minimum of 6' in all directions from the perimeter of the equipment.

Swings should have a fall zone extending a minimum of 6' from the outer edge of the support structure on each side. The fall zone in front and back of the swing should extend out a minimum distance of twice the height of the swing as measured from the ground to the top of the swing support structure.

Leveling Your Fort During Assembly

- Complete the steps which will be the basic frame of the fort {i.e. four corner posts with base (sand box boards) and deck supports}
- Position in the most level area chosen for the play set, keeping in mind the location and size of the swing beam, ladder, slides, etc. that extend off the fort.
- Once the frame is in the final position, check for vertical and horizontal levelness to determine which side(s) will need to be dug into the ground to level the play set.
- With a shovel, score the ground around the outside edges of the sandbox boards on the 'high' side of the fort. This is the area that will be dug in. Make sure to score deep enough; the scored lines will be your digging template.
- Push the frame off and away from the scored area, far enough to dig and remove dirt to reach the appropriate depth.
- Dig a channel along the scored line(s) for the base of the fort (corner post and sandbox boards) to rest into. Dig the channel(s) to the same level depth. The bottom of the channel(s) should be level to each other so your frame doesn't teeter or rock because the channel(s) are uneven.
- Once you have removed enough grass and dirt, slide/push the frame into the channel(s). Place a level on the vertical and horizontal boards of the frame to determine if enough soil, or too much, was removed.
- Repeat this process until the basic frame is plumb and level and in its final position before completing the rest of the assembly.
- Measure diagonally make sure fort is square.

Important: if you require a channel depth of more than 6", then we recommend you have your play set area professionally graded before completing assembly.



Top View of Playset Frame showing diagonal measurements.

THE DIAGONAL MEASUREMENTS SHOULD BE THE SAME FROM CORNER POST TO CORNER POST. IF NOT, ADJUST FORT SO THAT THE DISTANCE IS EQUAL.

■ = AREA TO BE SCORED AND CHANNELLED FOR LEVELNESS

General Info to Review Before Installation

- Depending on your experience, assembly of PlayNation Playsets can take as little as 6 hours up to 24 hours, depending on size, after inventory of parts; therefore, we recommend you set aside a full two days for assembly.
- Identify all of the parts for your play set. Empty each box and lay out boards so you can see each part. Your instruction book will have detailed drawings that will make it easy for you to recognize individual parts. Keep all hardware and metal parts separate from wooden pieces.
- After everything is laid out, check carefully to ensure all parts are present. Make sure there are no broken boards.
- Find an area to sort your hardware. It is best to open the hardware on a solid surface so that you do not lose any pieces in the grass. This will save time and familiarize you with all the different pieces in the hardware bag.
- Important note: Wood has some natural defects such as knots, surface cracks, etc... We reject parts that are structurally defective. We use a high quality lumber in our structures; however, you should inspect each part for splinters or rough spots and sand them smooth to prevent injury.
- After familiarizing yourself with all of the components, read all instructions thoroughly. Reading instructions after you have studied the parts will help you understand the installation process, and help to eliminate unnecessary mistakes.
- Pay close attention to the diameter and length of each bolt and screw.
- Never tighten hardware completely at first. It helps to have some adjustment for bolt alignment while you are attaching parts together. After everything is square, tighten each joint.
- After the main unit is assembled it is critical that the floor is **level** and **square**. If the main frame is not level, the walls and floor will be out of square.
- After you complete installation, make sure every bolt, screw, and nut is tight, and every board is secure. Wood will expand and contract with the seasons.
- Check all bolt connections and swing hangers seasonally.
- Place the set on level ground, not less than 6ft from any structure or obstruction such as a fence, garage, house, overhanging branches, laundry lines, or electrical wires.

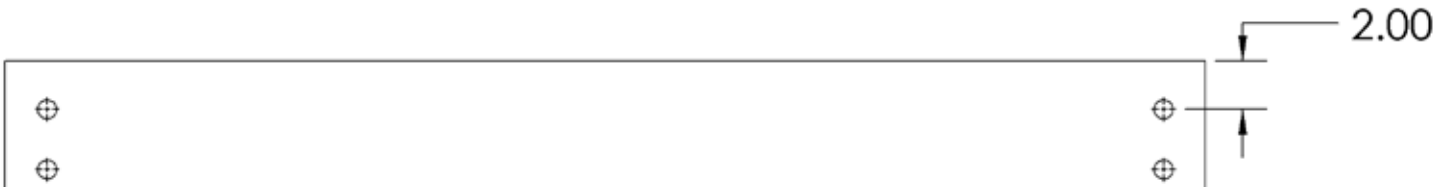
This page is a list of definitions and explanations used throughout our instructions to aid you in the assembly of your play set.

Offset Holes- Throughout the installation procedures we will refer to parts with offset holes. This refers to the orientation of the holes on the board. An offset hole is one that is closer to one side than it is to the other or in other words, it is not centered on the board. In the procedures you will be instructed to attach the boards with the holes “offset up” or with the holes “offset down”. This refers to which side of the board the hole/holes should be closer to. Offset Holes Up= hole/holes will be closer to the top of the board. Offset Holes Down= hole/holes will be closer to the bottom of the board. Note: some parts do not have offset holes, but instead the holes are on center. Therefore there will not be any reference to how to offset these parts.

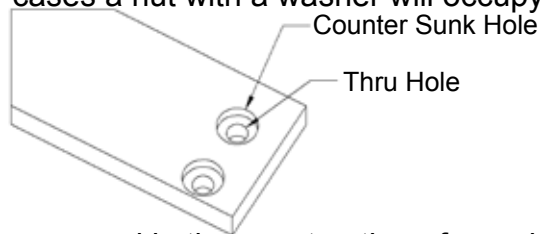
EXAMPLE OF OFFSET HOLES UP



EXAMPLE OF OFFSET HOLES DOWN



Counter-sunk holes- Many of the parts that will be used have counter-sunk holes. A counter-sunk hole is one that surrounds one side of a thru hole, but does not extend through the wood itself. When using a counter-sunk hole the bolt will be inserted through the thru hole. In some cases the bolt head with a washer will occupy the counter-sunk hole. In other cases a nut with a washer will occupy the counter-sunk hole.

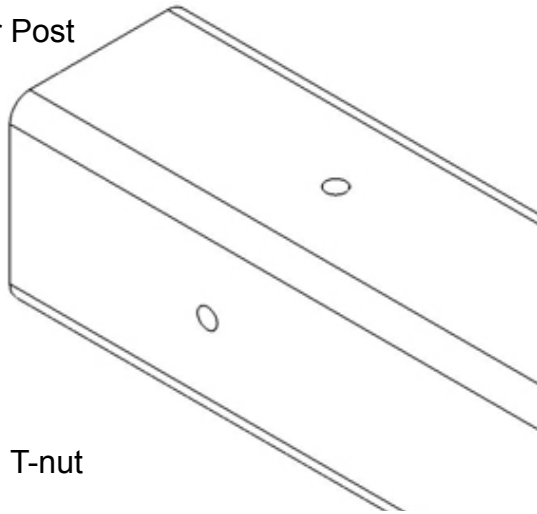


Lag Screws- Lag screws are used in the construction of our play sets to enhance the structural integrity of the unit. There will not be predrilled holes in the post for lag screw installation. Lag screws are self-tapping, though if you are using a manual socket wrench it may be necessary to tap the head of the lag screw with a hammer. You should also be sure to tighten the lag screws completely. Power tools such as an impact wrench or power drill should have enough torque to drive the lag screws without using a hammer, but make sure not to over tighten as this can cause the threads to “strip out” in the post.

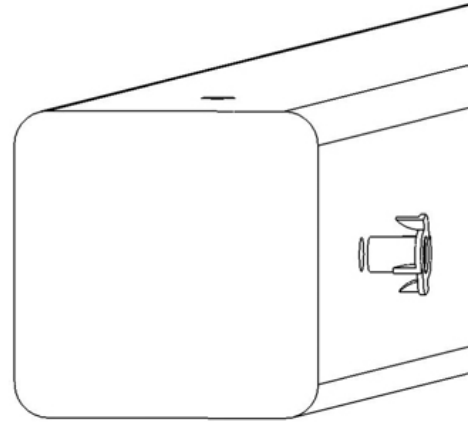
Common Installation Practice Installing T-nuts

When installing T-nuts into the wood, use a smooth faced hammer to set the face of the T-nut flush into the wood

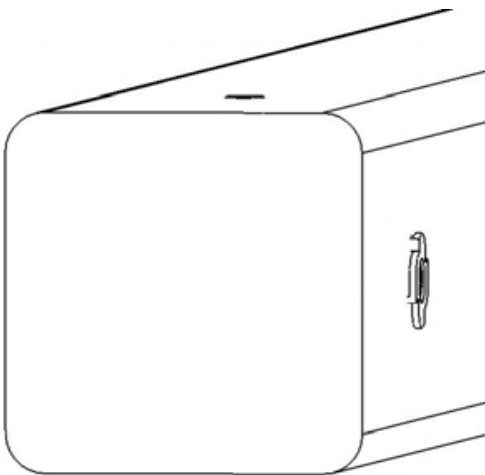
Corner Post



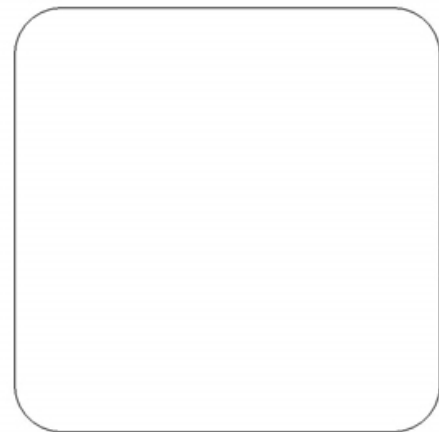
T-nut



Insert the barrel of the T-nut into the predrilled hole. Using a smooth faced hammer, drive the T-nut until the face of the T-nut is flush to the wood.

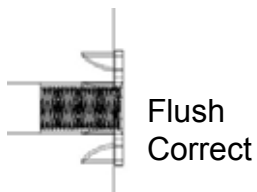


This picture shows the T-nut insert and installed flush to the wood.



This picture shows an end view of the T-nut insert and installed flush to the wood.

WARNING: DO NOT EMBED THE TOP OF THE T-NUT INTO THE FACE OF THE WOOD



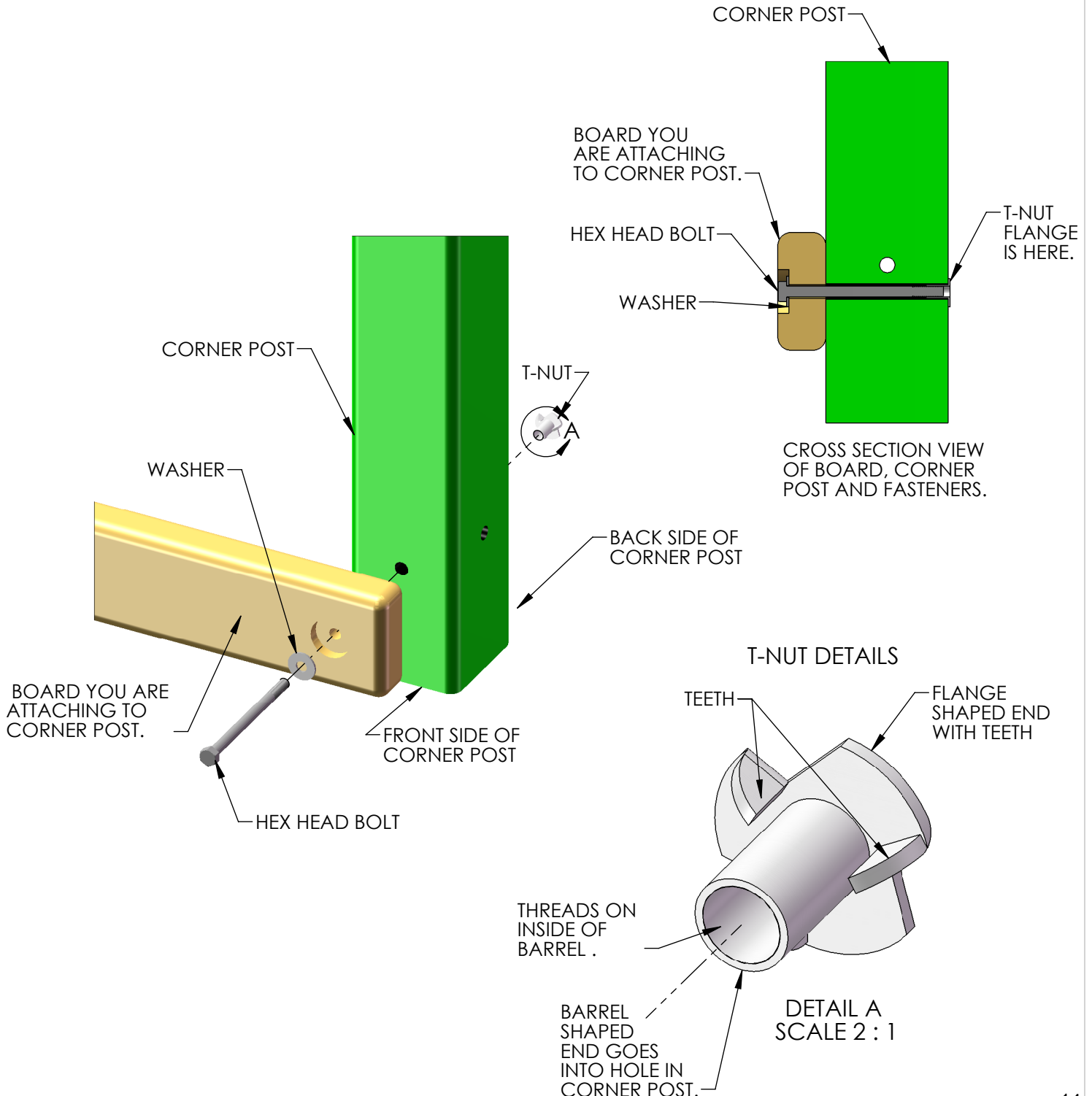
Cross Section end views, you are looking at an X-ray view of the post and T-nut. The barrel of the T-nut is in the corner post. The line is the face of the wood.

HOW A T-NUT WORKS

THE FIRST STEP IN OUR ASSEMBLY INSTRUCTIONS IS TO INSERT T-NUTS INTO THE CORNER POSTS. A T-NUT IS A FASTENER WHICH IS THREADED ON THE INSIDE AND IT FUNCTIONS JUST LIKE A STANDARD HEX NUT. YOU INSERT THE T-NUTS INTO THE PREDRILLED HOLES IN THE CORNER POSTS.

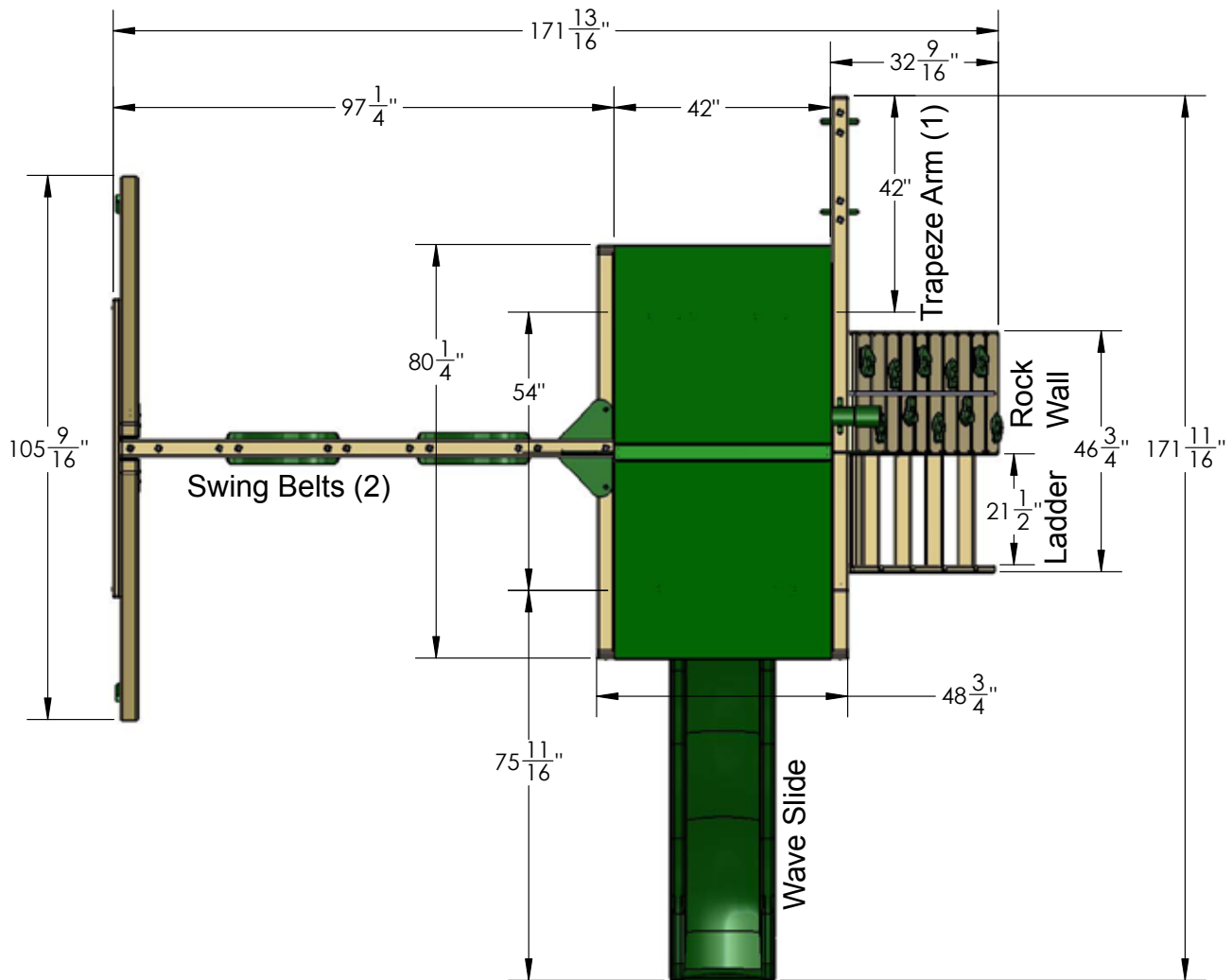
THE T-NUT HAS A BARREL SHAPED END WHICH GOES INTO THE HOLE IN THE CORNER POST. THE T-NUT ALSO HAS AN FLANGE SHAPED END WITH TEETH. THE TEETH PENETRATE INTO THE CORNER POST WOOD TO PREVENT THE T-NUT FROM SPINNING WHEN YOU TIGHTEN THE HEX HEAD BOLT.

SHOWN BELOW YOU WILL SEE THE T-NUT IS HAMMERED INTO THE CORNER POST ON THE BACK SIDE. THE BOARD IS BEING ATTACHED ON THE FRONT SIDE OF THE CORNER POST.



Please familiarize yourself with the manual, parts/components and general construction process of your new playset before getting started.

SITE PLAN:



Playset Height: 9 feet - 8 inches

Swing Beam Height: 6 feet - 11 inches

Approximate assembly time: 8 to 10 hours

(6) foot unobstructed safety perimeter around playset recommended

REQUIRED TOOL LIST:

- ___ Standard or Cordless Drill w/ Phillips Bit (#2 square bit provided)
- ___ 1/8" Drill Bit
- ___ 3/8" Drill Bit
- ___ 1/2" Wrench and Socket
- ___ 1/2" Deep Well Socket
- ___ 9/16" Deep Well Socket
- ___ 9/16" Wrench and Socket
- ___ Level
- ___ Tape Measure
- ___ Extension Cord (if using standard drill)
- ___ Hammer
- ___ Pencil
- ___ Locking Pliers (Vise Grips)
- ___ Shovel

KIT CONTENTS:

Swings, Slides, Accessories:

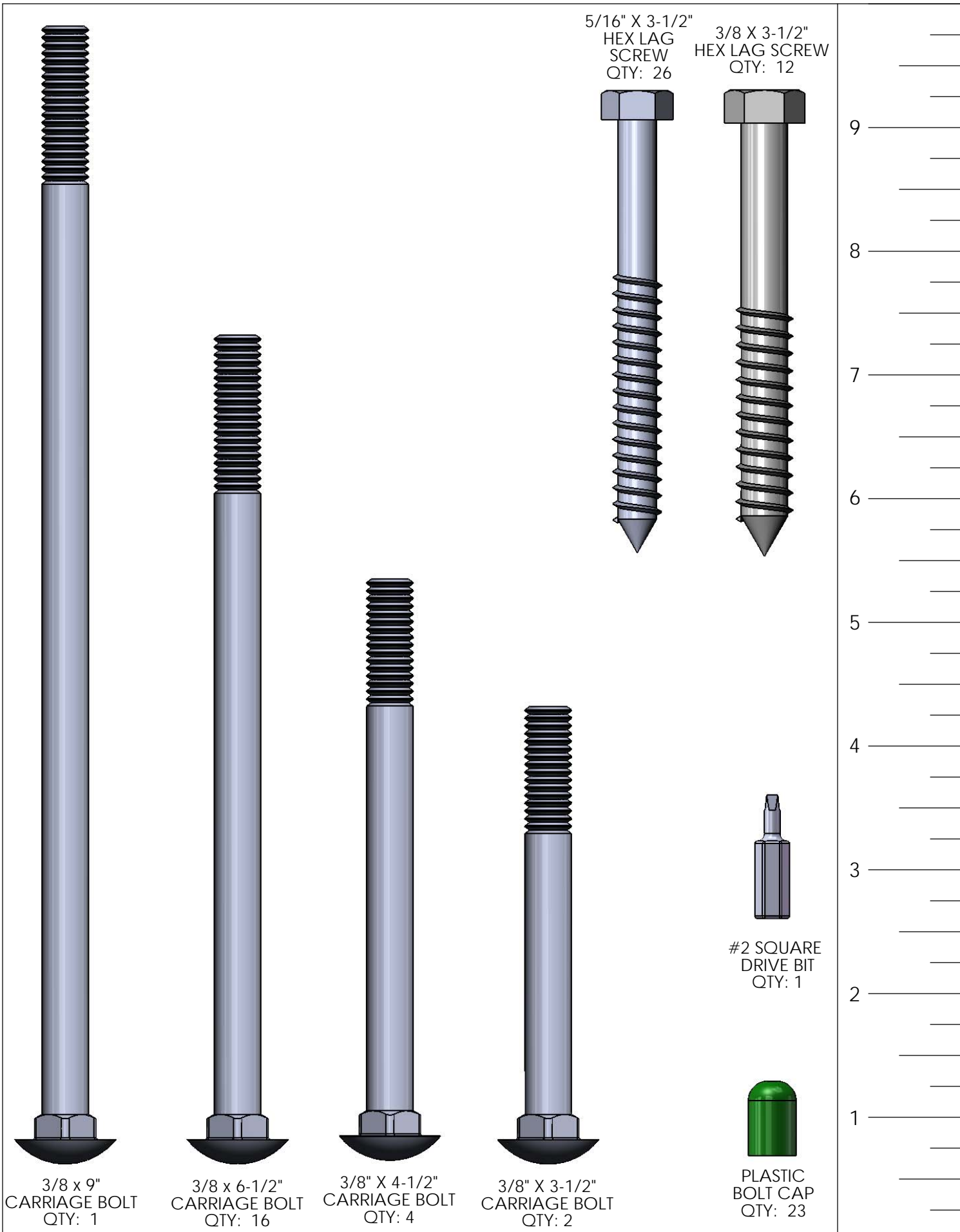
- ___ (Qty) Description
- ___ (2) Swingbelts w/ Chains
- ___ (1) Trapeze Swing
- ___ (1) Assembly Manual
- ___ (10) Rock Wall Grips (assorted colors)
- ___ (2) Plastic Safety Handles
- ___ (1) Tic Tac Toe
- ___ (1) Steering Wheel
- ___ (1) Telescope
- ___ (1) Tarp
- ___ (1) Wave Slide
- ___ (1) Flag Kit (pair)
- ___ (2) Ground Stakes

Fort and Swing Beam Hardware:

See following pages

Wood Components:

See following pages



3/8 x 9"
CARRIAGE BOLT
QTY: 1

3/8 x 6-1/2"
CARRIAGE BOLT
QTY: 16

3/8" X 4-1/2"
CARRIAGE BOLT
QTY: 4

3/8" X 3-1/2"
CARRIAGE BOLT
QTY: 2

5/16" X 3-1/2"
HEX LAG
SCREW
QTY: 26

3/8 X 3-1/2"
HEX LAG SCREW
QTY: 12

#2 SQUARE
DRIVE BIT
QTY: 1

PLASTIC
BOLT CAP
QTY: 23

USE THE RULER TO THE RIGHT TO MEASURE YOUR BOLTS AND SCREWS. PICTURE VIEWS SHOWN ABOVE ARE 1:1 SCALE AND CAN BE USED TO MATCH BOLT AND SCREW SIZES.



#14 X 1-1/4"
PAN HEAD SCREW
QTY: 6

#8 X 1-1/4"
WOOD SCREW
QTY: 6



#8 X 1-3/4"
WOOD SCREW
QTY: 4



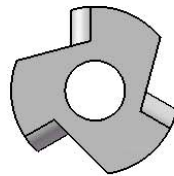
#8 X 2"
WOOD SCREW
QTY: 166



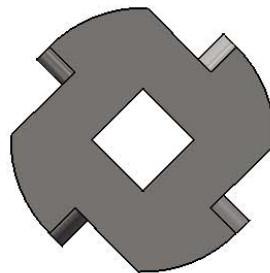
#8 X 2-1/2"
WOOD SCREW
QTY: 28



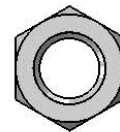
#8 X 3"
WOOD SCREW
QTY: 8



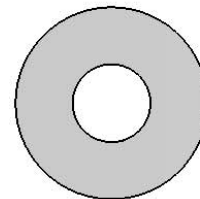
5/16" TEE NUT
QTY: 34



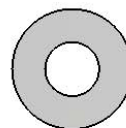
TORQUE WASHER
QTY: 21



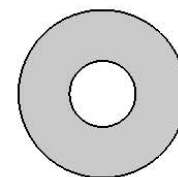
3/8" LOCK NUT
QTY: 23



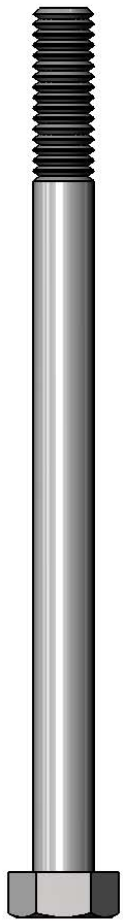
3/8" WASHER
QTY: 35



1/4" WASHER
QTY: 6



5/16" WASHER
QTY: 58



5/16 X 4-1/2"
HEX BOLT
QTY: 26



5/16 X 1-1/2"
HEX BOLT
QTY: 6

9

8

7

6

5

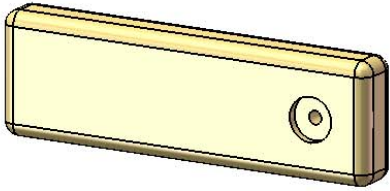
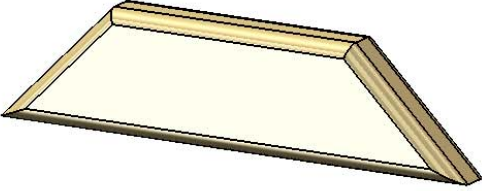
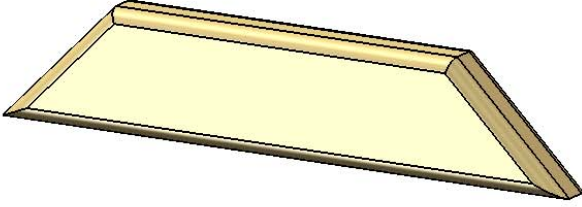
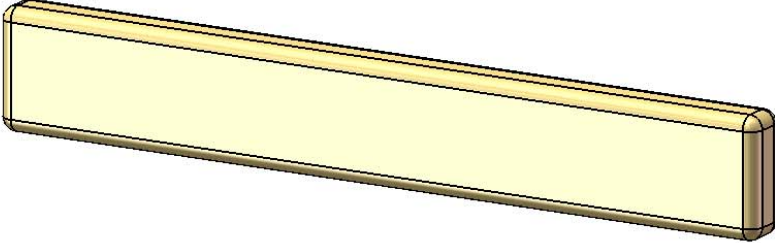

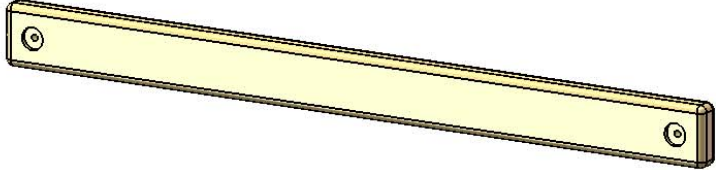
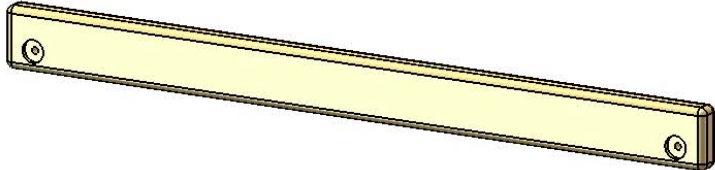
4

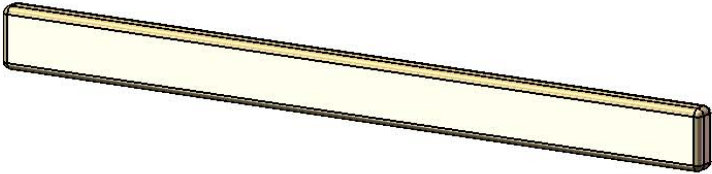
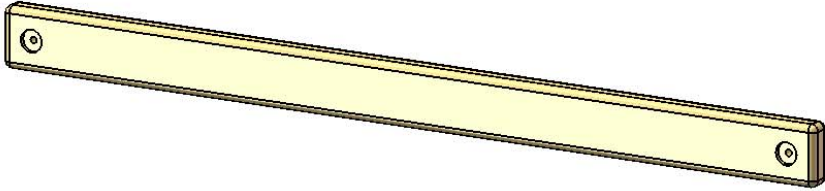
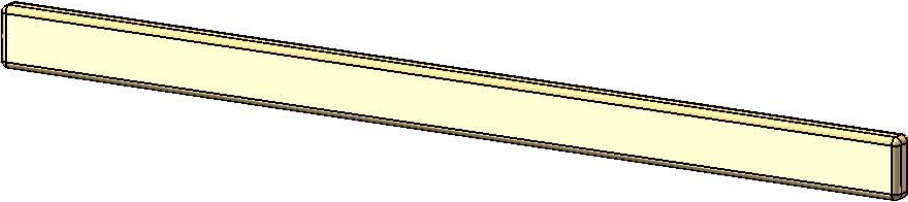
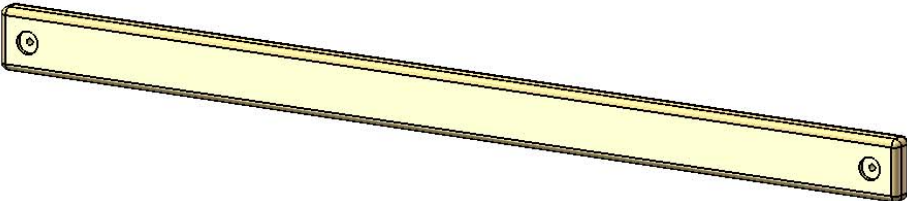
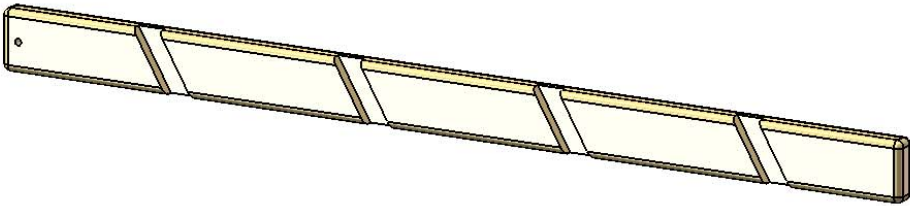
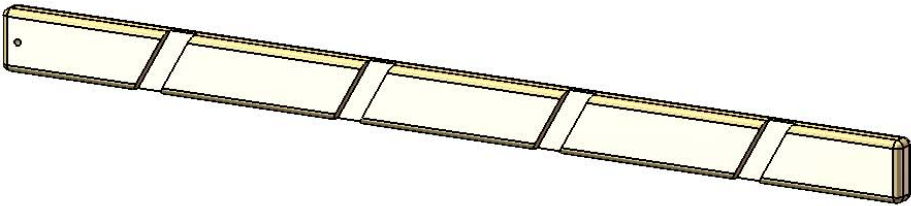
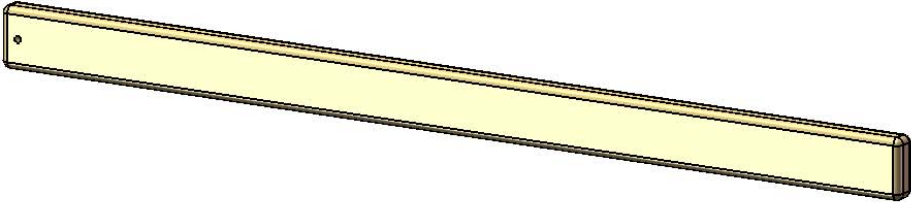
3

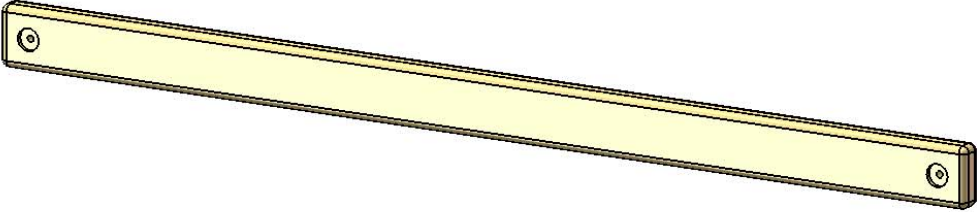
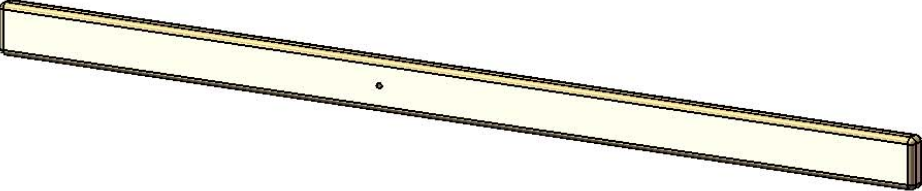
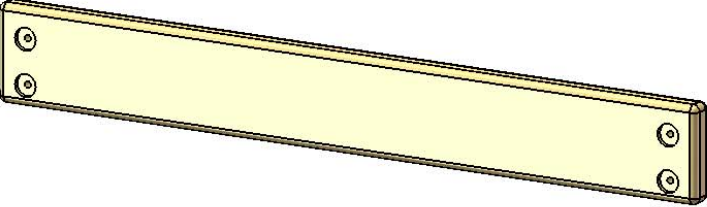
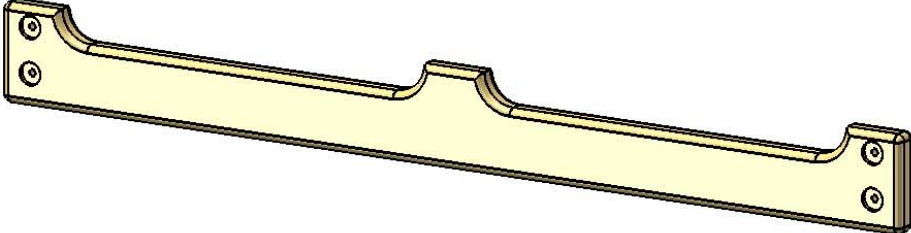
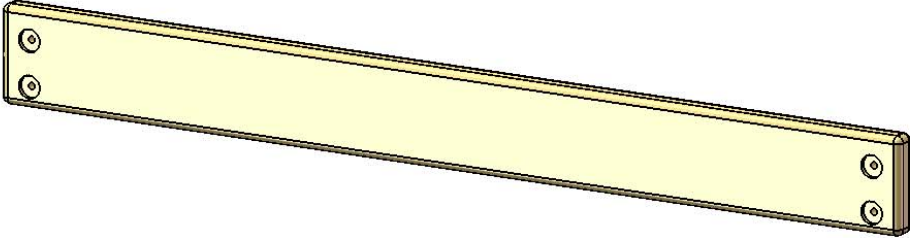
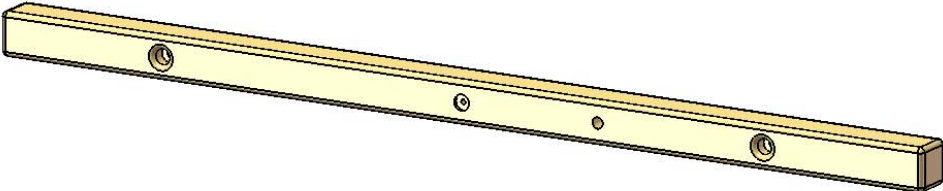
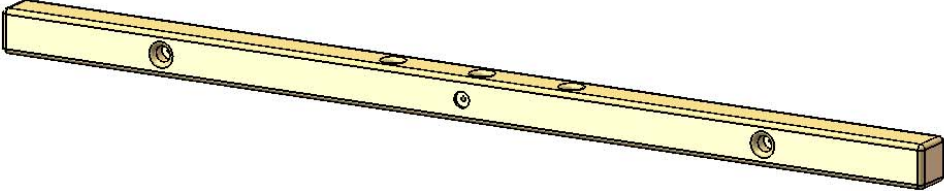
2

1

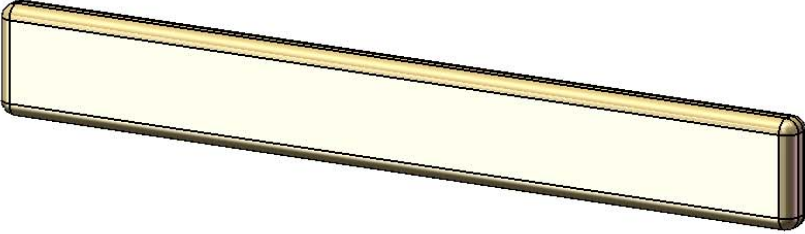
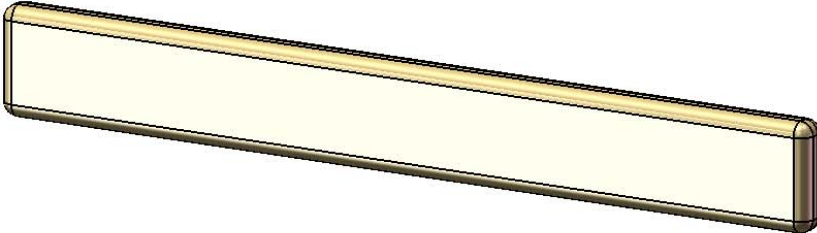
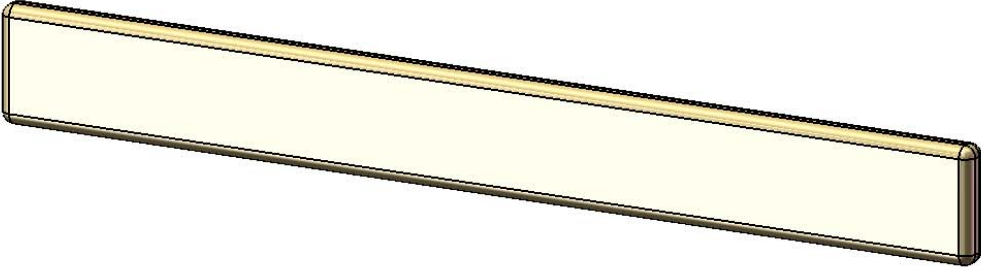
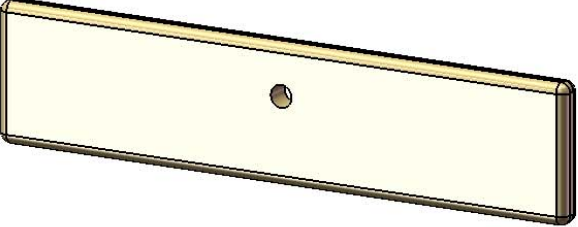
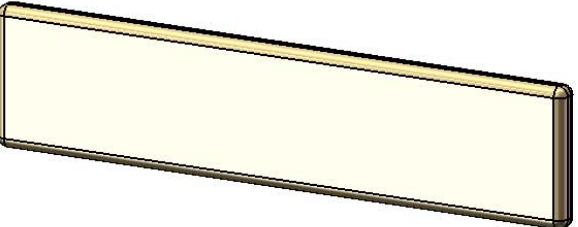
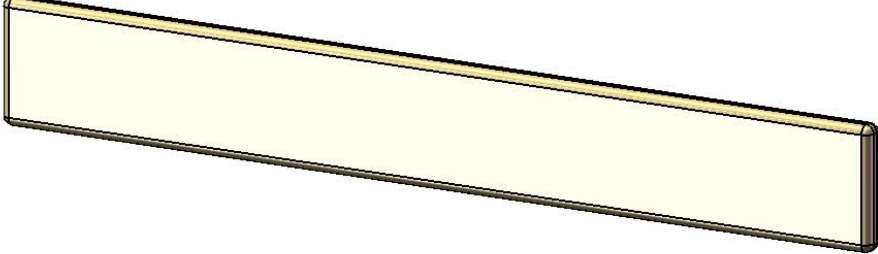

USE THE RULER TO THE RIGHT TO MEASURE YOUR BOLTS AND SCREWS. PICTURE VIEWS SHOWN ABOVE ARE 1:1 SCALE AND CAN BE USED TO MATCH BOLT AND SCREW SIZES.

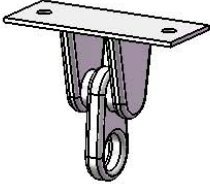
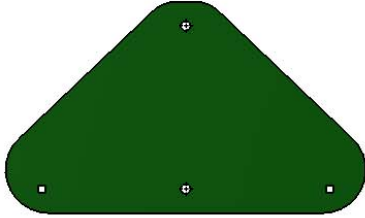
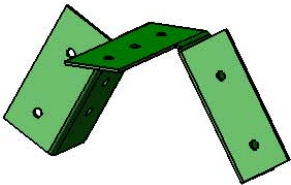



PICTURE	DESCRIPTION	QTY.
	<p>2 x 4 x 11" BOTTOM PANEL BOARD</p> <p>2-4-1100-BPB</p>	<p>2</p>
	<p>2 x 4 x 14" ANGLE SUPPORT</p> <p>2-4-1400-AS</p>	<p>4</p>
	<p>2 x 4 x 17" ANGLE SUPPORT</p> <p>2-4-1700-AS</p>	<p>4</p>
	<p>2 x 4 x 22-3/4" LADDER STEP</p> <p>2-4-2275-LS</p>	<p>4</p>
		
	<p>2 x 4 x 42" BOTTOM PANEL BOARD</p> <p>2-4-4200-BPB</p>	<p>1</p>
	<p>2 x 4 x 42" TOP PANEL BOARD</p> <p>2-4-4200-TPB</p>	<p>2</p>




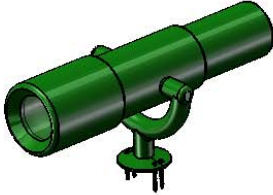
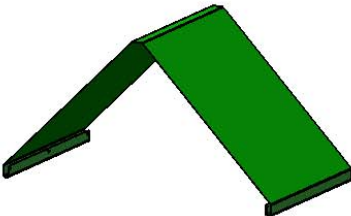

PICTURE	DESCRIPTION	QTY.
	<p>2 X 4 X 42" TOP TARP BOARD</p> <p>2-4-4200-TTB</p>	<p>1</p>
	<p>2 X 4 X 48-3/4" END TARP BOARD</p> <p>2-4-4875-ETB</p>	<p>2</p>
	<p>2 X 4 X 54" DECK STRINGER</p> <p>2-4-5400-DSR</p>	<p>1</p>
	<p>2 X 4 X 54" DECK SUPPORT & SAFETY BOARD</p> <p>2-4-5400-DS</p>	<p>3</p>
	<p>2 X 4 X 54" LADDER SIDE (LEFT)</p> <p>2-4-5400-LSL</p>	<p>1</p>
	<p>2 X 4 X 54" LADDER SIDE (RIGHT)</p> <p>2-4-5400-LRWS</p>	<p>1</p>
	<p>2 X 4 X 54" ROCK WALL SIDE</p> <p>2-4-5400-RWS</p>	<p>1</p>

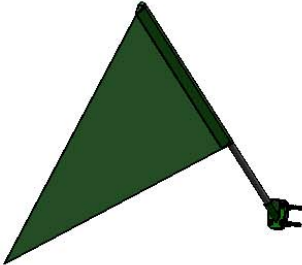
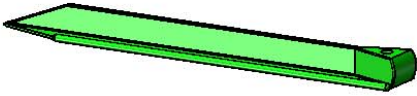
PICTURE	DESCRIPTION	QTY.
	<p>2 X 4 X 58" SWING LEG CROSS MEMBER</p> <p>2-4-5800-SLCM</p>	<p>1</p>
	<p>2 X 4 X 66" CENTER TARP SUPPORT</p> <p>2-4-6600-CTS</p>	<p>2</p>
	<p>2 X 6 X 42" SANDBOX & BOTTOM PANEL BOARD</p> <p>2-6-4200-SBPB</p>	<p>4</p>
	<p>2 X 6 X 54" DECK PANEL BOARD</p> <p>2-6-5400-DPB</p>	<p>1</p>
	<p>2 X 6 X 54" SANDBOX & BOTTOM PANEL BOARD</p> <p>2-6-5400-SBPB</p>	<p>3</p>
	<p>4 X 4 X 77-1/2" SIDE RAIL</p> <p>4-4-7750-SR</p>	<p>1</p>
	<p>4 X 4 X 77-1/2" SWING BEAM SIDE RAIL</p> <p>4-4-7750-SBSR</p>	<p>1</p>

PICTURE	DESCRIPTION	QTY.
	<p>4 X 4 X 81-1/4" CORNER POST (LEFT)</p> <p>4-4-8125-CPL</p>	<p>2</p>
	<p>4 X 4 X 81-1/4" CORNER POST (RIGHT)</p> <p>4-4-8125-CPR</p>	<p>2</p>
	<p>4 X 4 X 96" TRAPEZE ARM</p> <p>4-4-9600-TA</p>	<p>1</p>
	<p>4 X 4 X 96" SWING LEG</p> <p>4-4-9600-SL</p>	<p>2</p>
	<p>4 X 6 X 96" SWING BEAM</p> <p>4-6-9600-SB</p>	<p>1</p>
	<p>5/4 X 2-5/8" X 17-1/2" TIC TAC TOE MOUNT</p> <p>125-3-1750-TTTM</p>	<p>2</p>
	<p>5/4 X 2-5/8" X 28-1/2" PANEL SLAT</p> <p>125-3-2850-PS</p>	<p>16</p>

PICTURE	DESCRIPTION	QTY.
	5/4 X 3 X 23-7/8" ROCK WALL TOP CAP 125-3-2388-RWTC	1
	5/4 X 3 X 24-1/4" LADDER BACK 125-3-2425-LB	1
	5/4 X 4 X 35" DECK SPACER 125-4-3500-DS	2
	5/4 X 6 X 23-7/8" BOTTOM ROCK WALL BOARD 125-6-2388-BRWB	1
	5/4 X 6 X 23-7/8" ROCK WALL BOARD 125-6-2388-RWB	9
	5/4 X 6 X 41-3/4" DECK BOARD 125-6-4175-DB	8
	90° ANGLE BRACKET 11-5013	3

PICTURE	DESCRIPTION	QTY.
	IRON DUCTILE SWING HANGER 11-4012	6
	SWING BEAM PLATE 11-5002	1
	SWING LEG BRACKET 11-5010	1
	SWING BELT W/CHAINS 04-0002	2
	TRAPEZE W/CHAINS 04-0005	1
	SPRING CLIP 11-4003	6
(NOT SHOWN)	ROCK WALL ROPE 10-1003	15 FT.

PICTURE	DESCRIPTION	QTY.
	ROCK WALL ROCKS(PKG OF 5) (COLOR & SIZE MAY VARY 07-0008	2
	PLASTIC SAFETY HANDLES (PAIR) 07-0005	1
	TIC TAC TOE (UNASSEMBLED) 01-0010	1
	STEERING WHEEL 07-0004	1
	TELESCOPE 07-0001	1
	TARP 05-0009	1
	WAVE SLIDE 03-0010	1

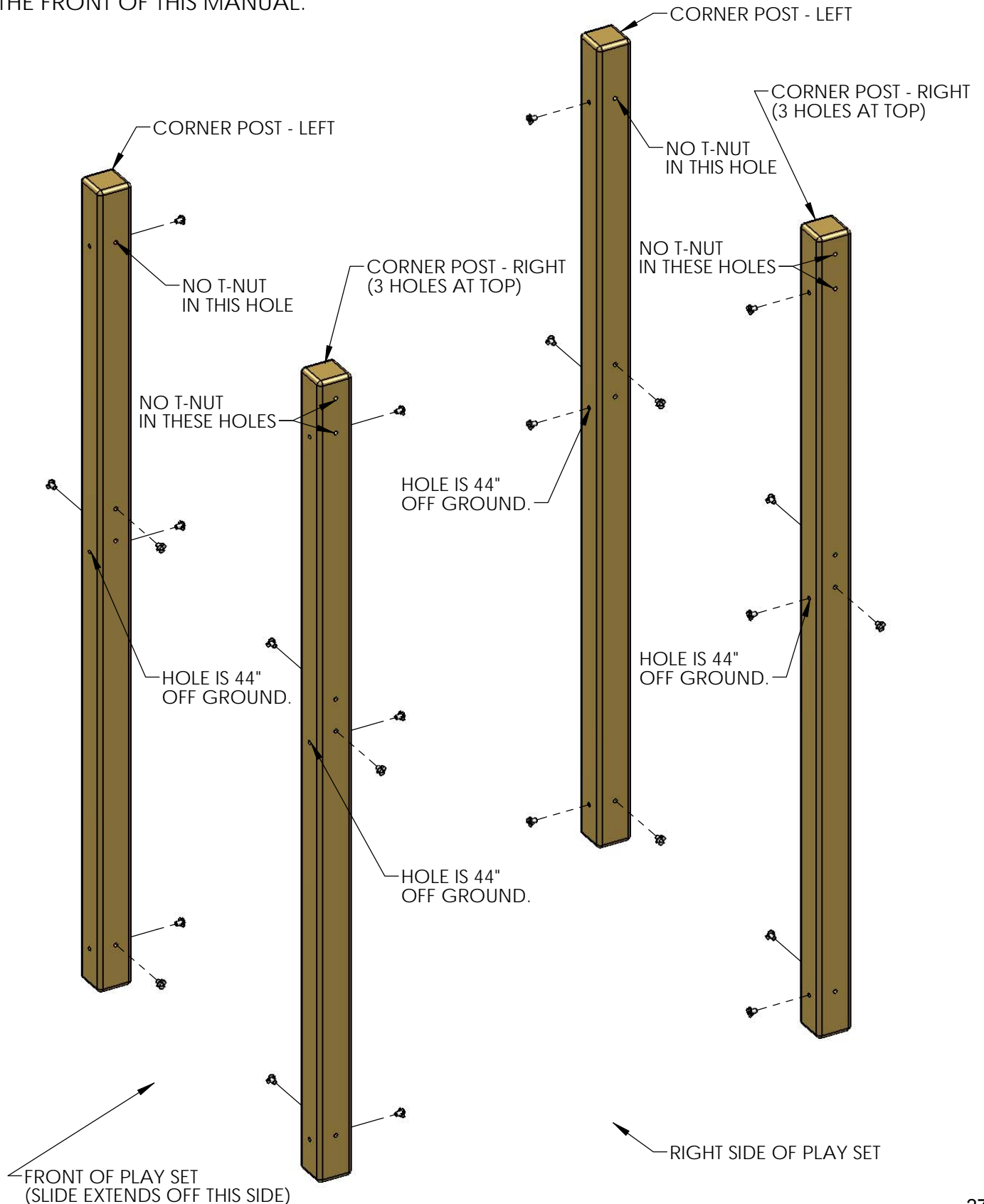
PICTURE	DESCRIPTION	QTY.
	FLAG KIT (PAIR) 09-1007	1
(NOT SHOWN)	LOGO/NAME PLATE	1
 <p data-bbox="94 888 1104 919">NOTE: GROUND STAKES MAY BE METAL, PLASTIC OR WOOD AT OUR DISCRETION.</p>	PLASTIC GROUND STAKES 07-0016	2
		26

STEP 1: CORNER POSTS

1: MAKE SURE ALL HOLES ARE CLEAR OF SAWDUST AND DEBRIS. USE A 3/8" DRILL BIT OR A BOLT TO CLEAR OUT THE HOLES.

2: INSERT T-NUTS INTO THE HOLES OF THE CORNER POSTS AS SHOWN BELOW.

3: SET THE T-NUTS WITH A HAMMER FLUSH TO THE SURFACE OF THE LUMBER AS DESCRIBED AT THE FRONT OF THIS MANUAL.

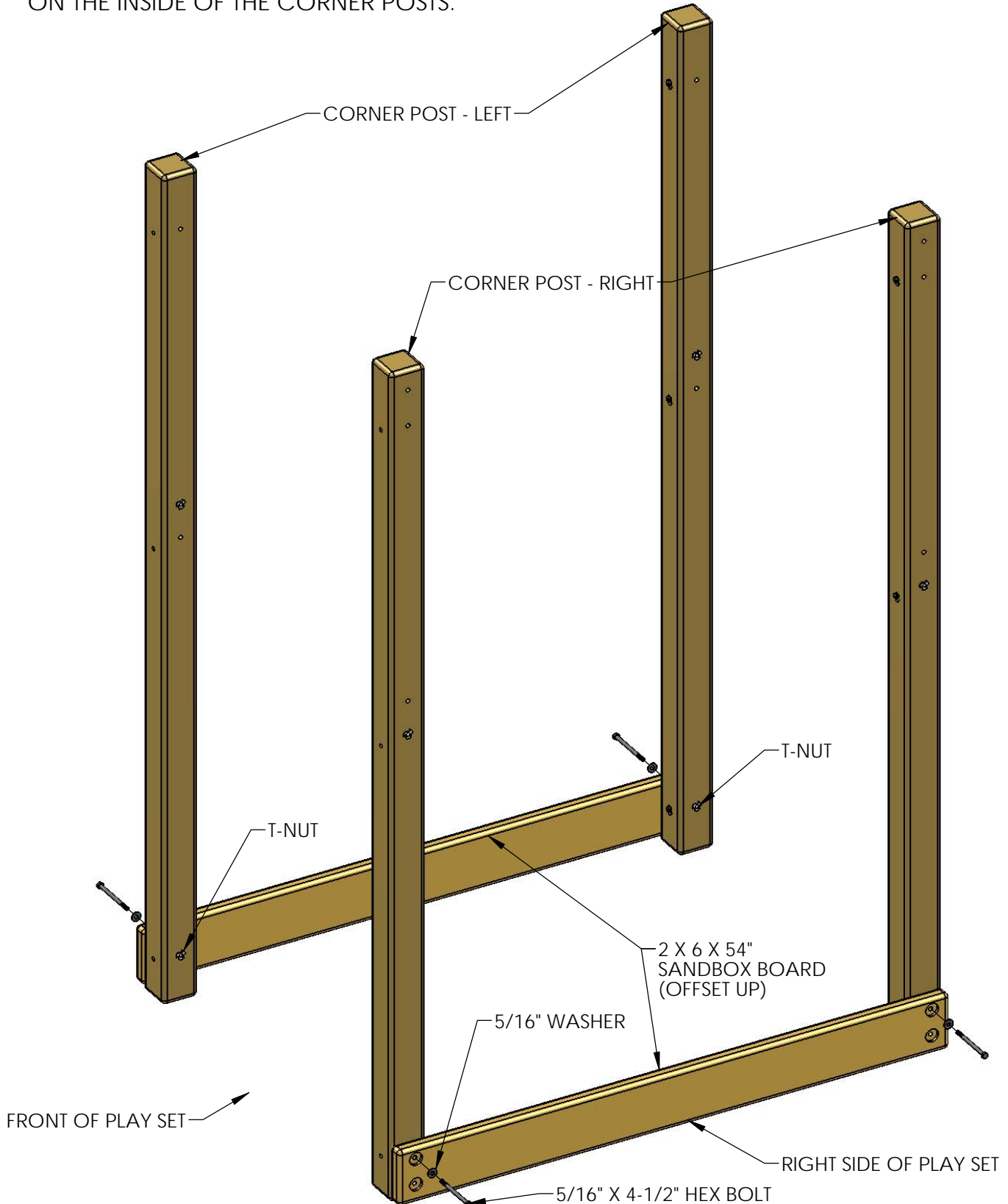


STEP 2: SANDBOX BOARDS

1: LOCATE TWO 2 X 6 X 54" SANDBOX BOARDS.

2: PLACE THE SANDBOX BOARDS (OFFSET UP) ON THE OUTSIDE AT THE BASE OF THE LEFT AND RIGHT CORNER POSTS.

3: ATTACH THE UPPER HOLES IN THE SANDBOX BOARDS TO THE CORNER POSTS WITH 5/16" X 4-1/2" HEX BOLTS AND 5/16" WASHERS. THE HEX BOLTS WILL THREAD INTO THE T-NUTS ON THE INSIDE OF THE CORNER POSTS.

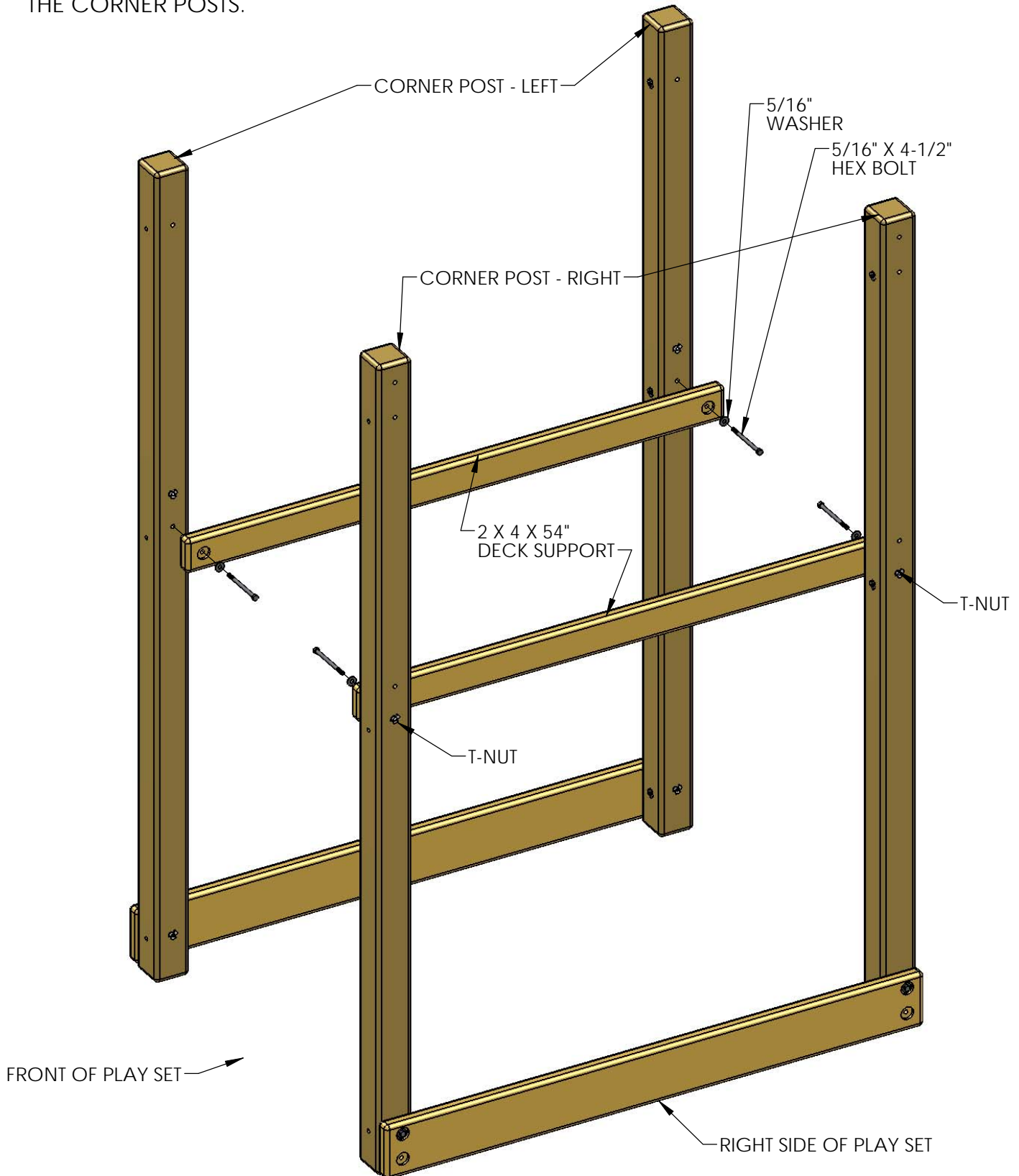


STEP 3: DECK SUPPORTS

1: LOCATE TWO 2 X 4 X 54" DECK SUPPORTS.

2: PLACE THE DECK SUPPORTS AS SHOWN ON THE INSIDE OF THE LEFT AND RIGHT CORNER POSTS. EACH DECK SUPPORT WILL FASTEN TO THE LOWER HOLES IN THE MIDDLE OF THE CORNER POSTS.

3: ATTACH EACH DECK SUPPORT TO THE CORNER POSTS WITH 5/16" X 4-1/2" HEX BOLTS AND 5/16" WASHERS. THE HEX BOLTS WILL THREAD INTO THE T-NUTS ON THE OUTSIDE OF THE CORNER POSTS.

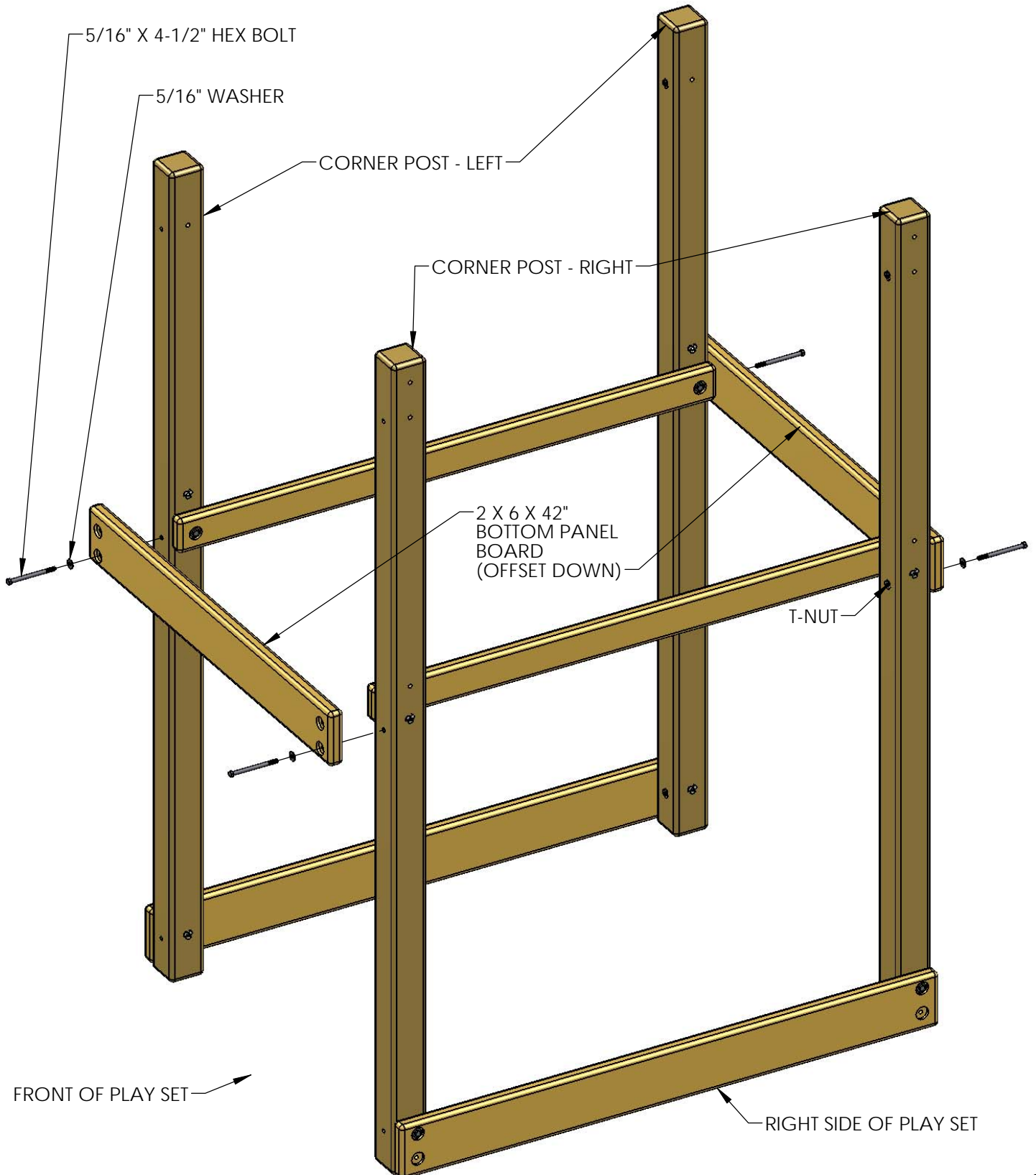


STEP 4: BOTTOM PANEL BOARDS

1: LOCATE TWO 2 X 6 X 42" BOTTOM PANEL BOARDS.

2: PLACE THE BOTTOM PANEL BOARDS (OFFSET DOWN) AGAINST THE CORNER POSTS AT THE FRONT AND REAR OF THE PLAY SET IN THE MIDDLE.

3: ATTACH EACH BOTTOM PANEL BOARD THROUGH THE LOWER HOLES TO THE CORNER POSTS WITH 5/16" X 4-1/2" HEX BOLTS AND 5/16" WASHERS. THE HEX BOLTS WILL THREAD INTO THE T-NUTS ON THE INSIDE OF THE CORNER POSTS.

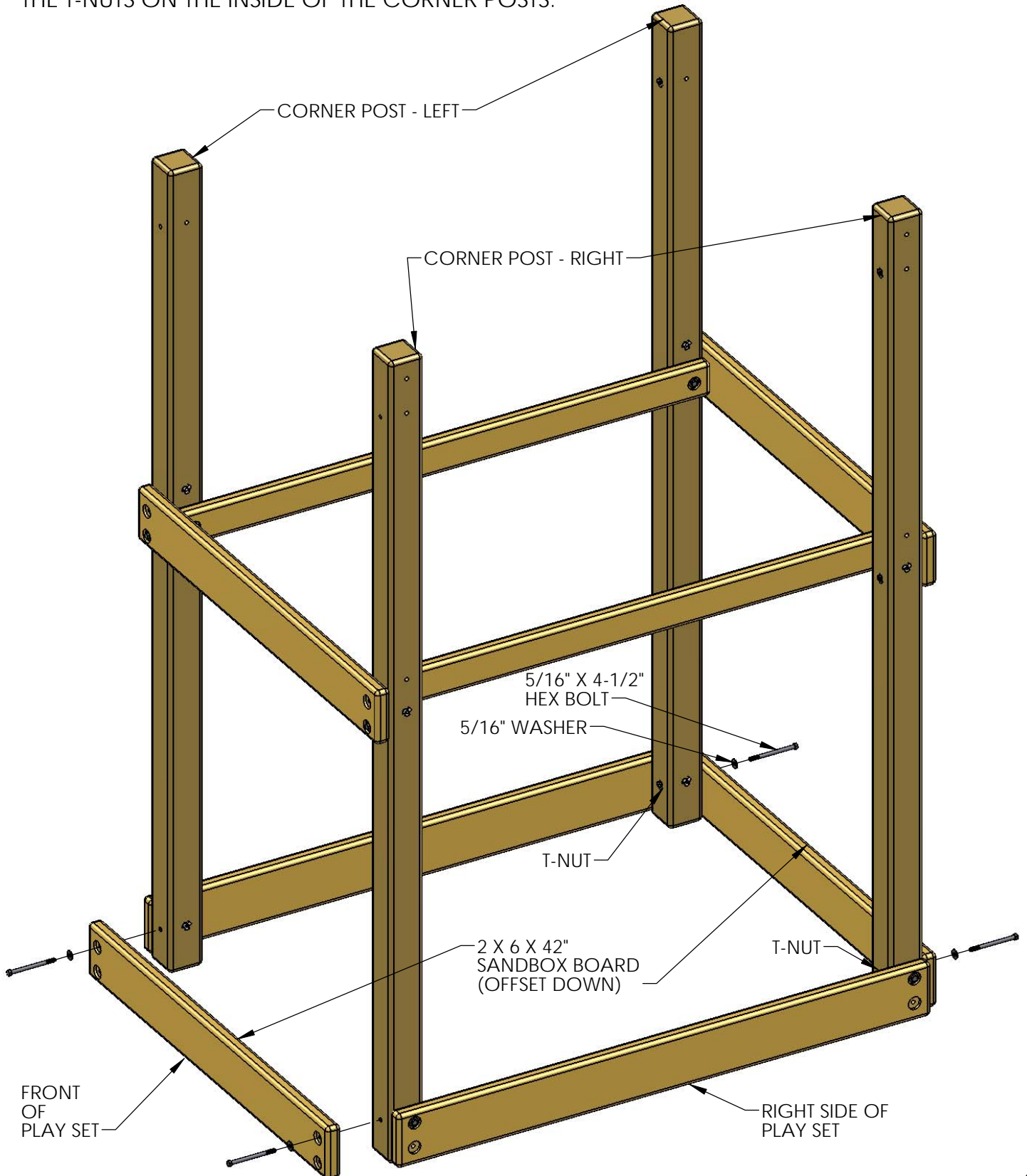


STEP 5: SANDBOX BOARDS

1: LOCATE TWO 2 X 6 X 42" SANDBOX BOARDS.

2: PLACE THE SANDBOX BOARDS (OFFSET DOWN) AGAINST THE BOTTOM OF THE CORNER POSTS ON THE FRONT AND REAR OF THE PLAY SET.

3: ATTACH EACH SANDBOX BOARD THROUGH THE UPPER HOLES TO THE CORNER POSTS WITH 5/16" X 4-1/2" HEX BOLTS AND 5/16" WASHERS. THE HEX BOLTS WILL THREAD INTO THE T-NUTS ON THE INSIDE OF THE CORNER POSTS.

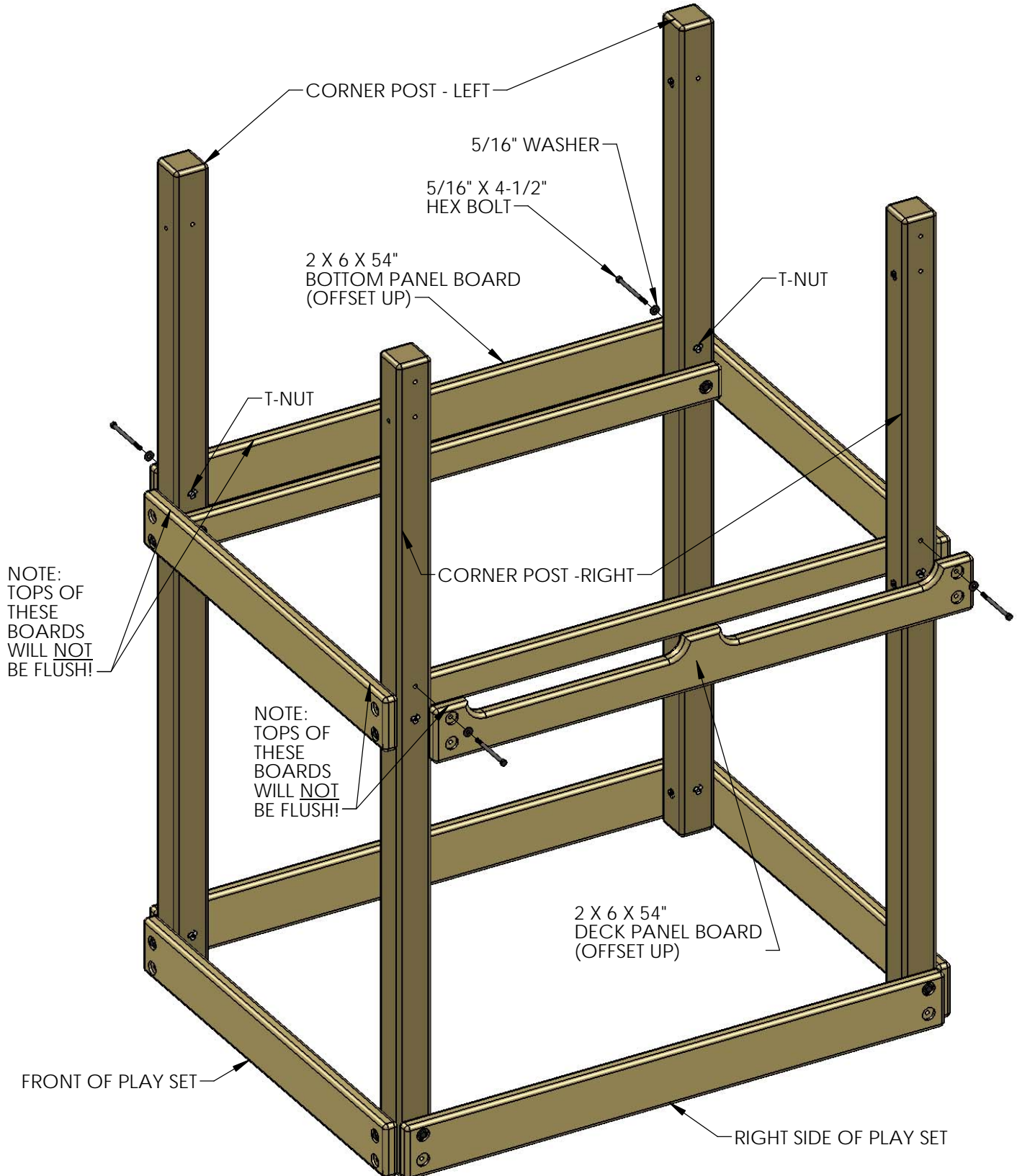


STEP 6: BOTTOM AND DECK PANEL BOARDS

1: LOCATE ONE 2 X 6 X 54" BOTTOM PANEL BOARD AND ONE 2 X 6 X 54" DECK PANEL BOARD.

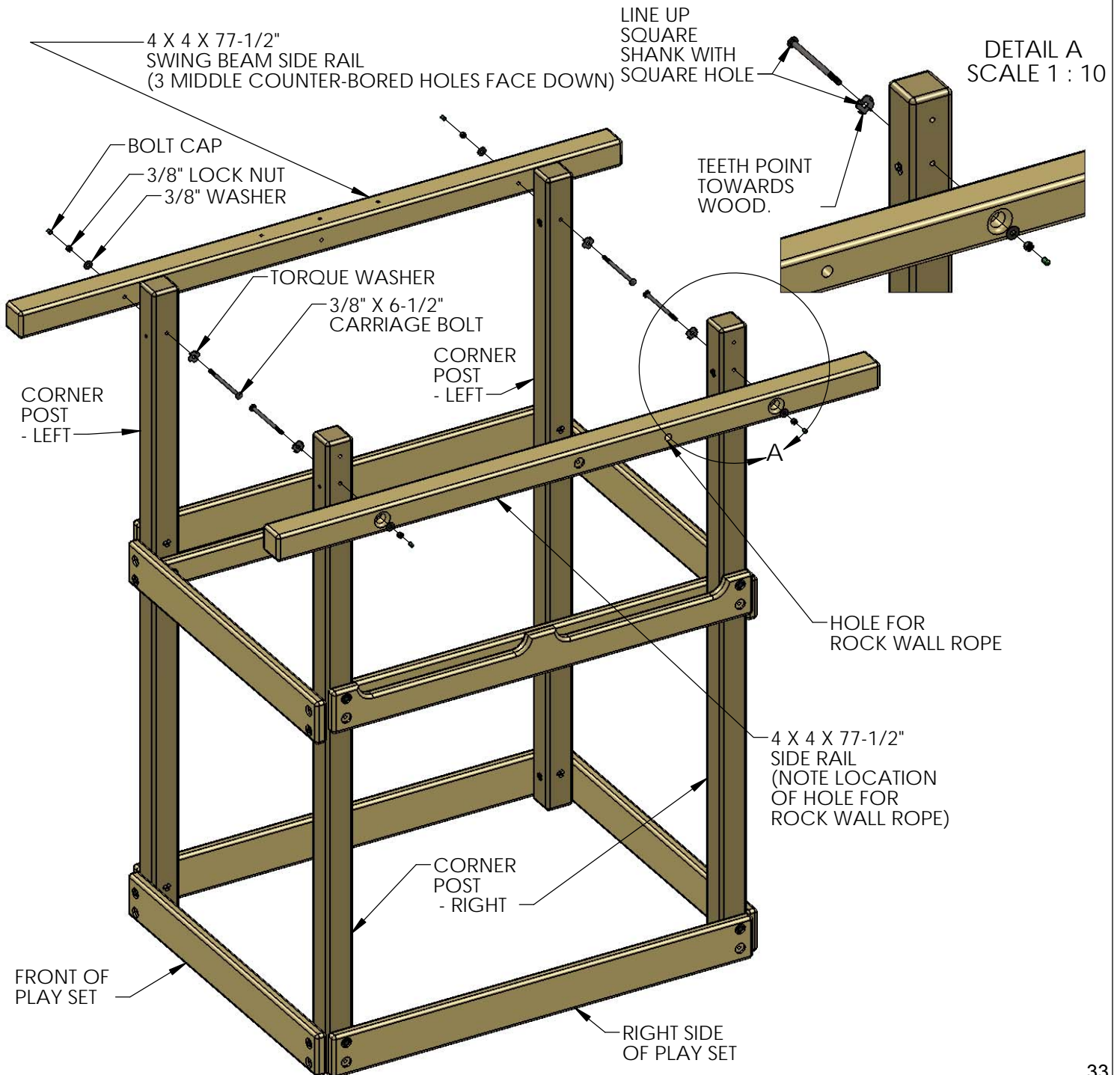
2: PLACE THE BOTTOM PANEL BOARD AND DECK PANEL BOARD (OFFSET UP) ON THE LEFT AND RIGHT OF THE PLAY SET AS SHOWN. EACH BOARD WILL ATTACH TO THE UPPER HOLES IN THE MIDDLE OF THE CORNER POSTS ON THE OUTSIDE.

3: ATTACH EACH BOARD THROUGH ITS UPPER HOLES WITH 5/16" X 4-1/2" HEX BOLTS AND 5/16" WASHERS. THE HEX BOLTS WILL THREAD INTO THE T-NUTS ON THE INSIDE OF THE CORNER POSTS.



STEP 7: SIDE RAILS

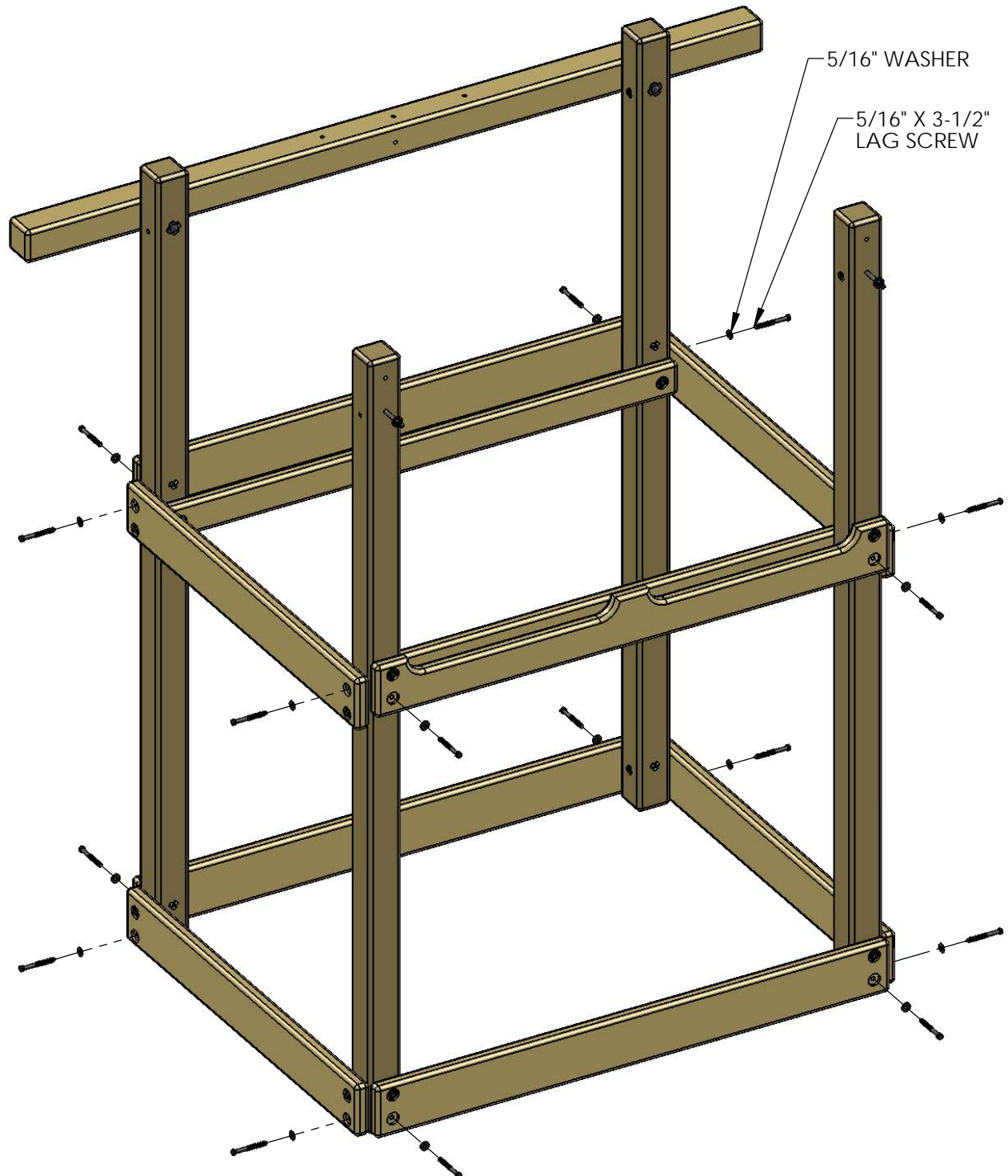
- 1: LOCATE THE 4 X 4 X 77-1/2" SIDE RAIL AND 4 X 4 X 77-1/2" SWING BEAM SIDE RAIL.
- 2: PLACE THE SWING BEAM SIDE RAIL AGAINST THE LEFT CORNER POSTS ON THE OUTSIDE. THE THREE COUNTER-BORED HOLES AT THE MIDDLE OF THE SWING BEAM SIDE RAIL WILL FACE DOWN.
- 3: LINE UP THE SQUARE HOLE IN THE TORQUE WASHER WITH THE SQUARE SHANK OF THE CARRIAGE BOLT AND INSERT THE CARRIAGE BOLT INTO THE HOLE IN THE CORNER POST. USE A HAMMER TO HIT THE CARRIAGE BOLT IN ORDER TO SEAT THE TEETH OF THE TORQUE WASHERS INTO THE WOOD OF THE CORNER POSTS.
- 4: ATTACH THE SWING BEAM SIDE RAIL TO THE LEFT CORNER POSTS WITH 3/8" X 6-1/2" CARRIAGE BOLTS AND TORQUE WASHERS FROM THE INSIDE OF THE CORNER POSTS. USE 3/8" WASHERS, 3/8" LOCK NUTS AND BOLT CAPS IN THE COUNTER-BORED HOLES ON THE OUTSIDE OF THE SWING BEAM SIDE RAIL.
- 5: PLACE THE SIDE RAIL AGAINST THE RIGHT CORNER POST ON THE OUTSIDE. USE THE SAME FASTENERS AND METHODS DESCRIBED IN SUBSTEPS 3 & 4 FOR THE SIDE RAIL PAYING CAREFUL ATTENTION TO THE HOLE LOCATION FOR ROCK WALL ROPE.



STEP 8: LEVEL AND SQUARE PLAY SET

1: FOLLOW THE DIRECTIONS IN THE FRONT OF THE MANUAL TO LEVEL AND SQUARE YOUR PLAY SET. A LEVEL AND CARPENTER'S SQUARE WILL BE USEFUL FOR THIS TASK.

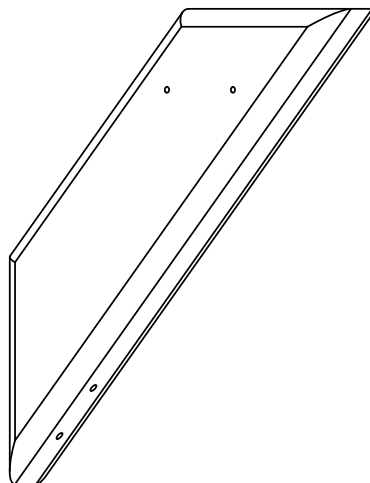
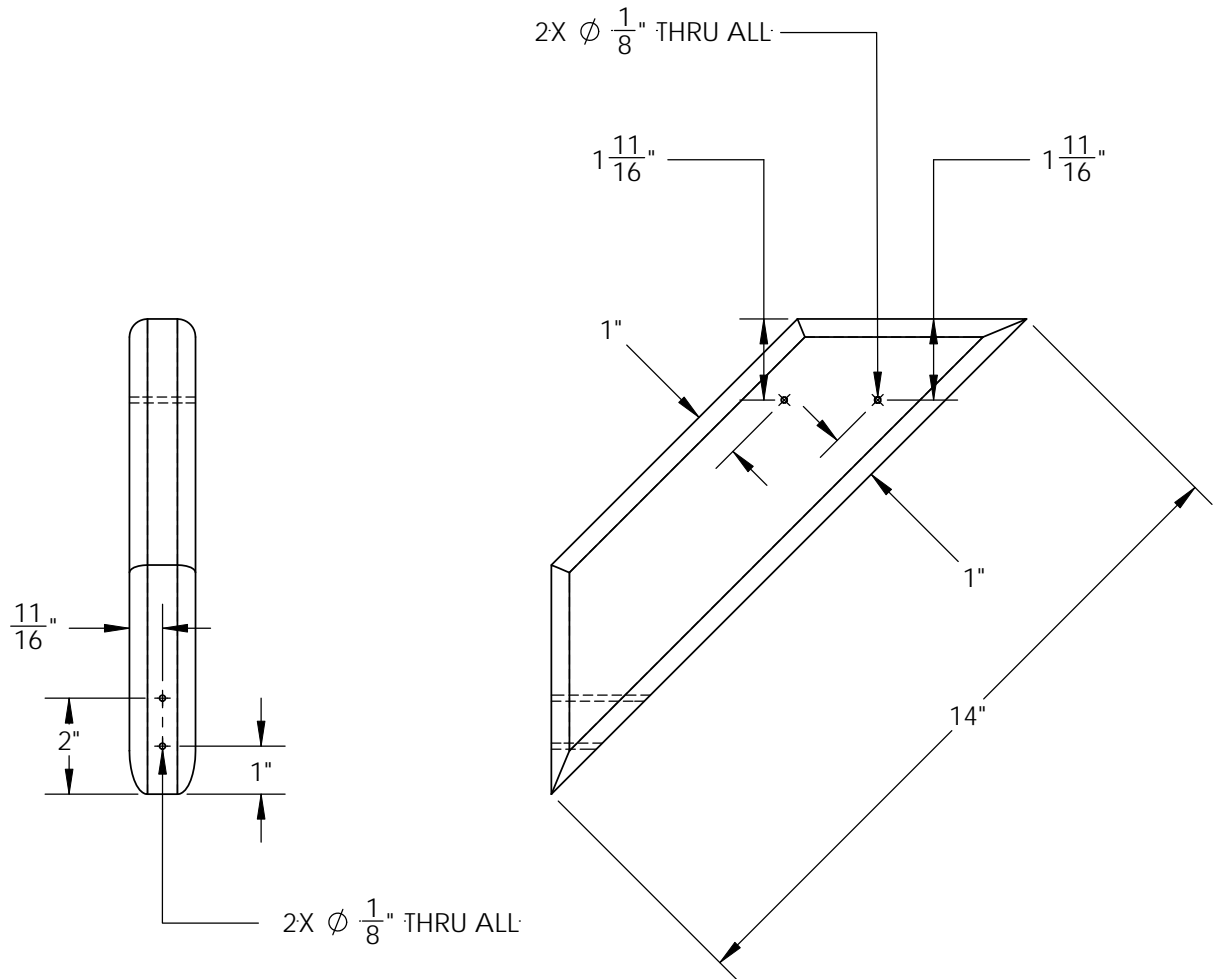
2: ONCE THE PLAY SET IS LEVEL AND SQUARE PLACE 5/16" X 3-1/2" LAG SCREWS WITH 5/16" WASHERS INTO THE EMPTY HOLES IN ALL THE 2 X 6 BOARDS AS SHOWN.



STEP 9: DRILL HOLES FOR 14" ANGLE SUPPORTS

1: USE A 1/8" DRILL BIT TO DRILL HOLES IN FOUR 2 X 4 X 14" ANGLE SUPPORTS.

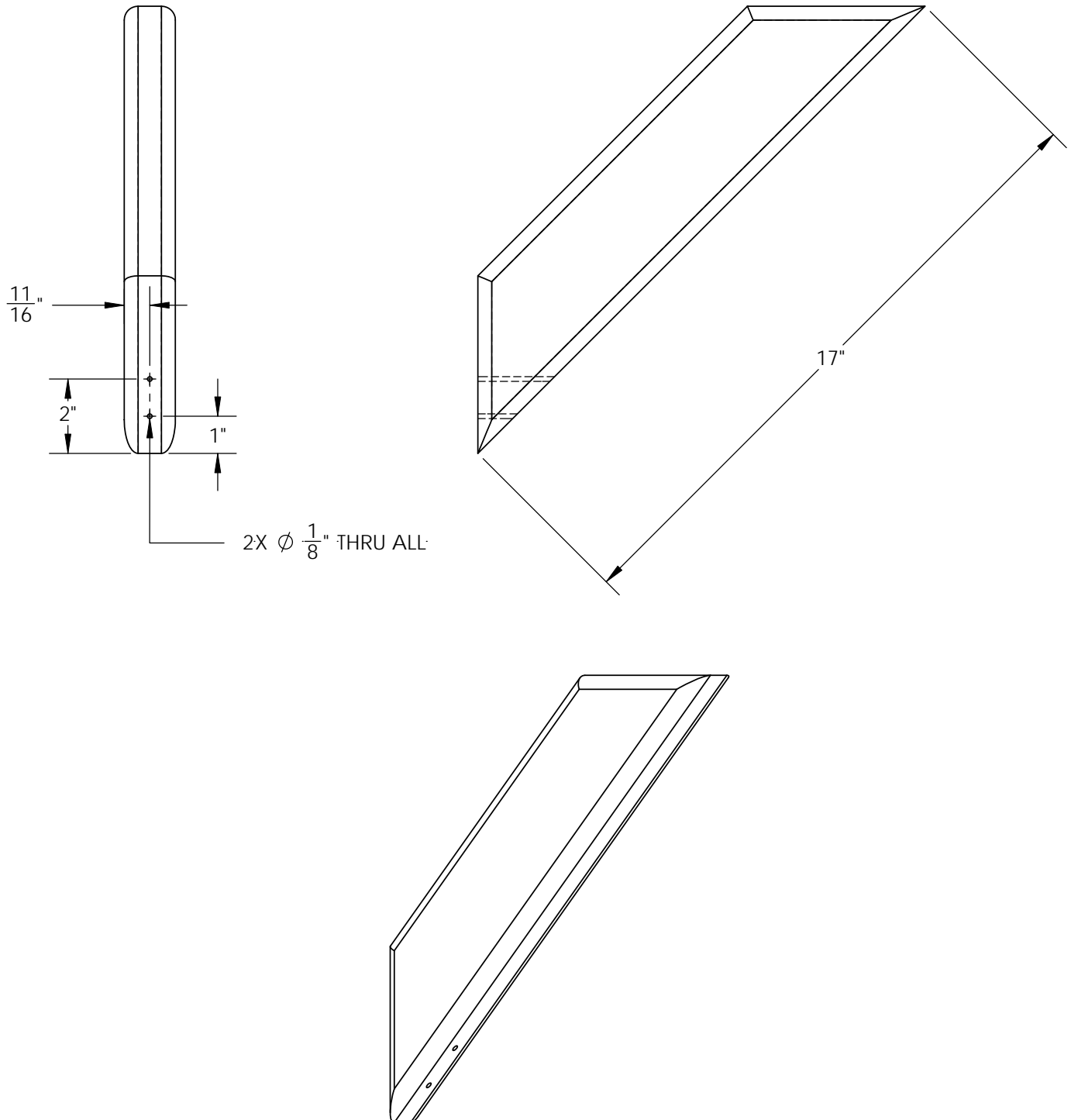
2: DRILL HOLES AT THE DIMENSIONS SHOWN BELOW.



STEP 10: DRILL HOLES FOR 17" ANGLE SUPPORTS

1: USE A 1/8" DRILL BIT TO DRILL HOLES IN FOUR 2 X 4 X 17" ANGLE SUPPORTS.

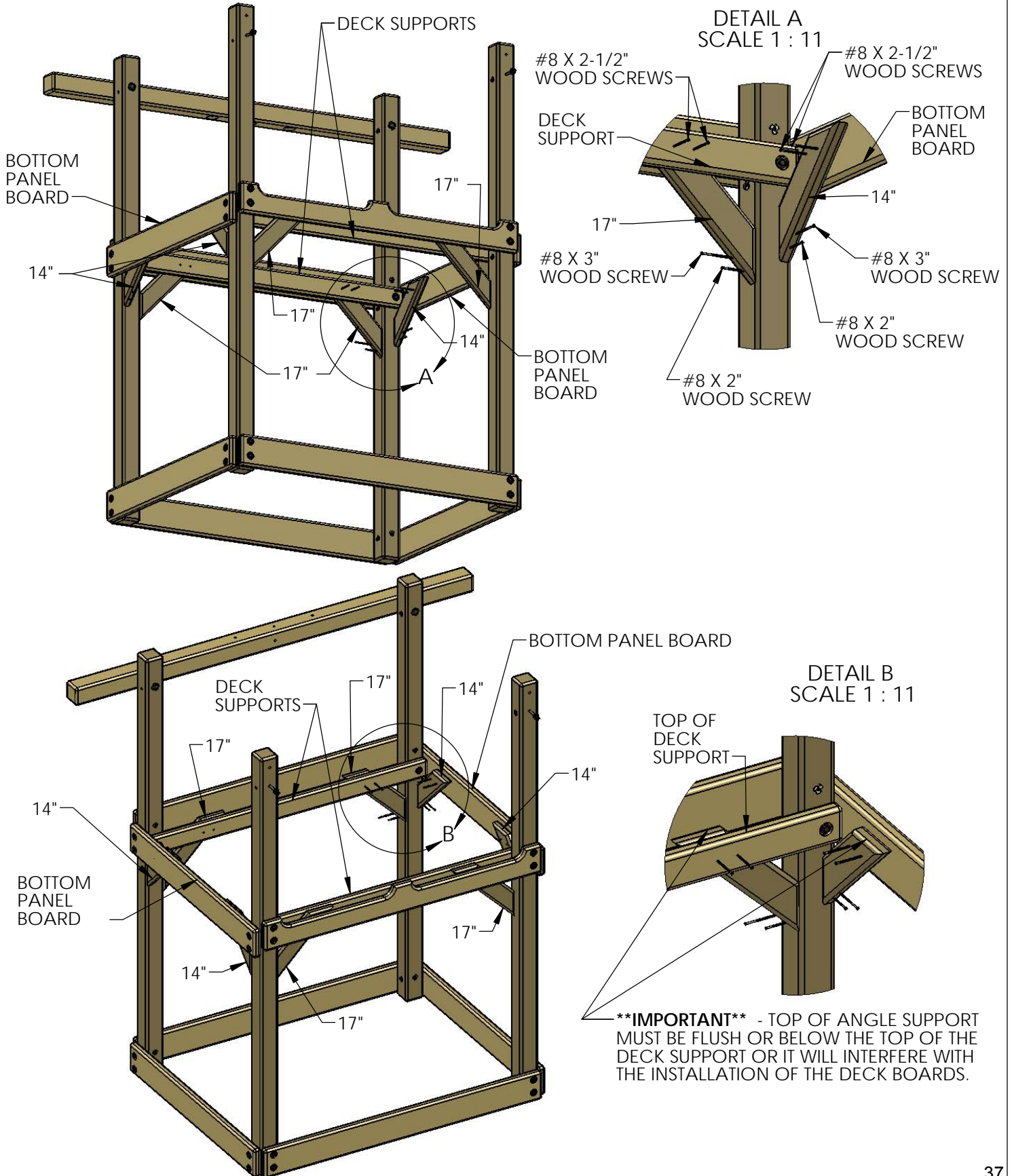
2: DRILL HOLES AT THE DIMENSIONS SHOWN BELOW.



STEP 11: ANGLE SUPPORTS

1: ATTACH THE 2 X 4 X 17" ANGLE SUPPORTS TO THE DECK SUPPORTS AND CORNER POSTS AS SHOWN. TOP OF SUPPORT MUST BE FLUSH OR BELOW TOP OF DECK SUPPORT.

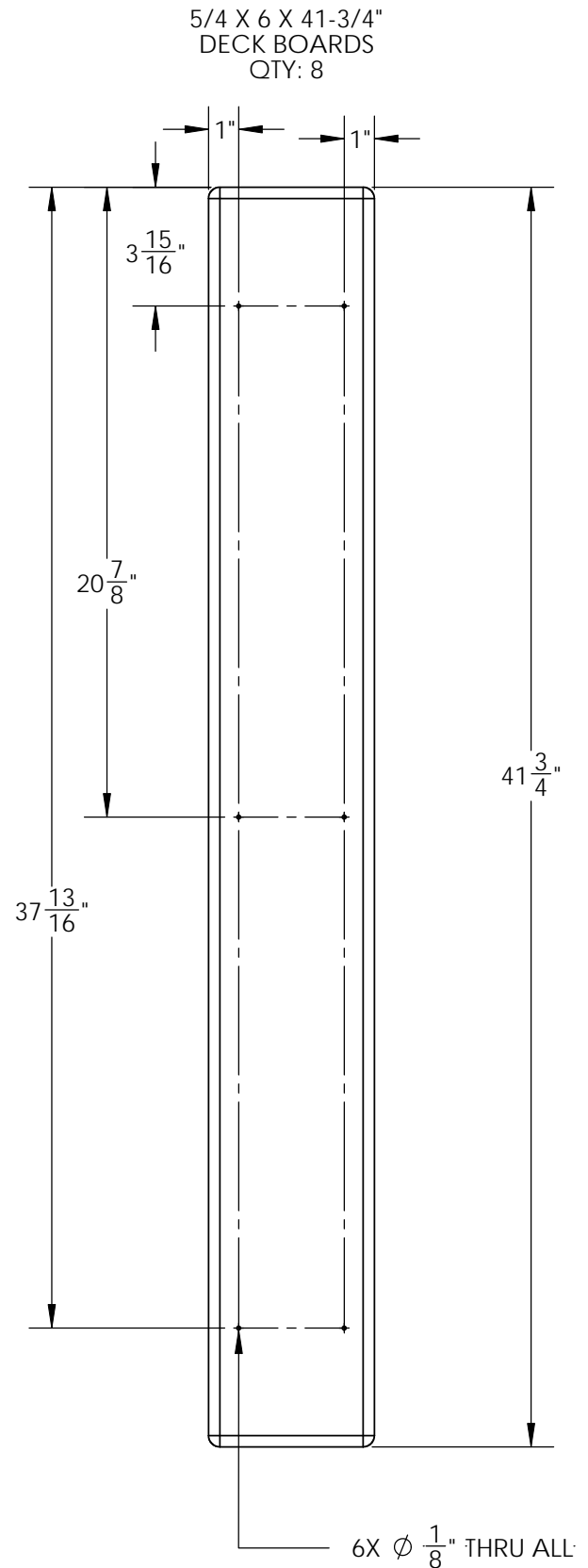
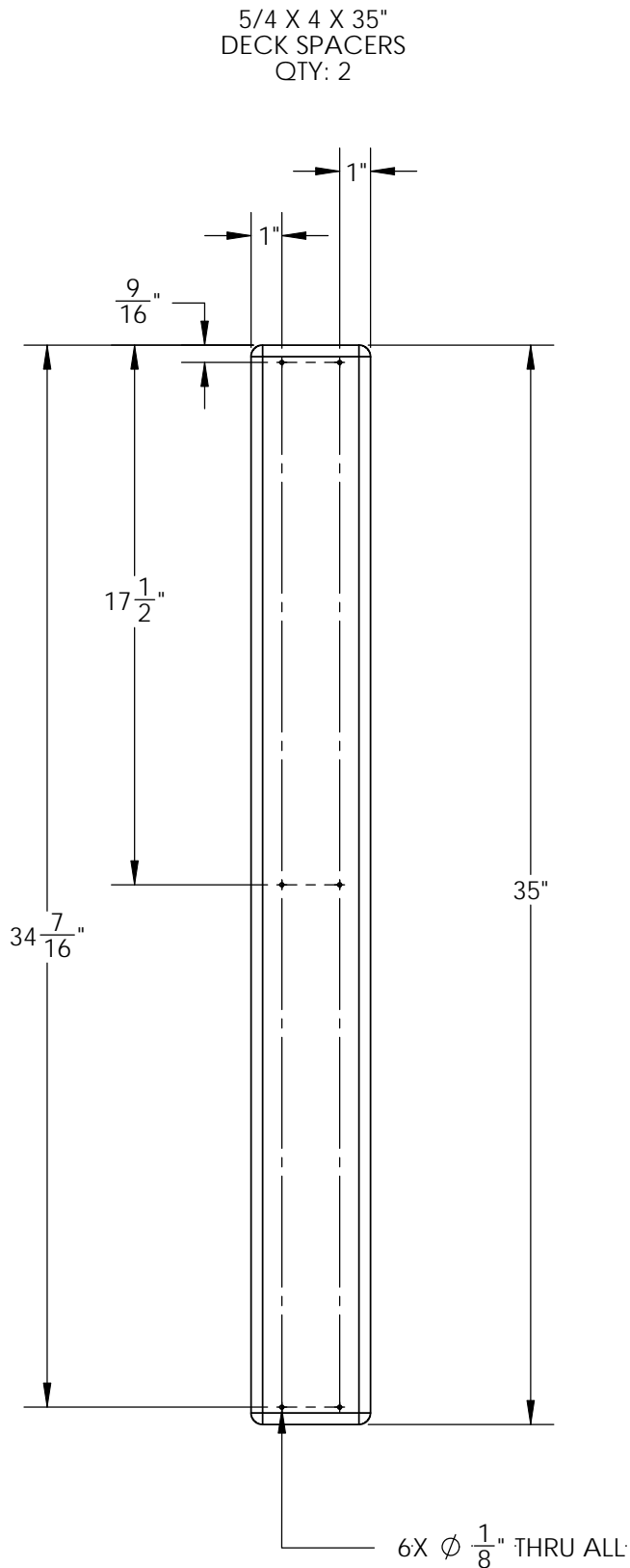
2: ATTACH THE 2 X 4 X 14" ANGLE SUPPORTS TO THE BOTTOM PANEL BOARDS AND CORNER POSTS AS SHOWN. TOP OF SUPPORT MUST BE FLUSH OR BELOW TOP OF DECK SUPPORT.



STEP 12: DRILL HOLES FOR DECK SPACERS/BOARDS

1: LOCATE TWO 5/4 X 4 X 35" DECK SPACERS AND EIGHT 5/4 X 6 X 41-3/4" DECK BOARDS.

2: DRILL 1/8" HOLES AT THE DIMENSIONS SHOWN BELOW.

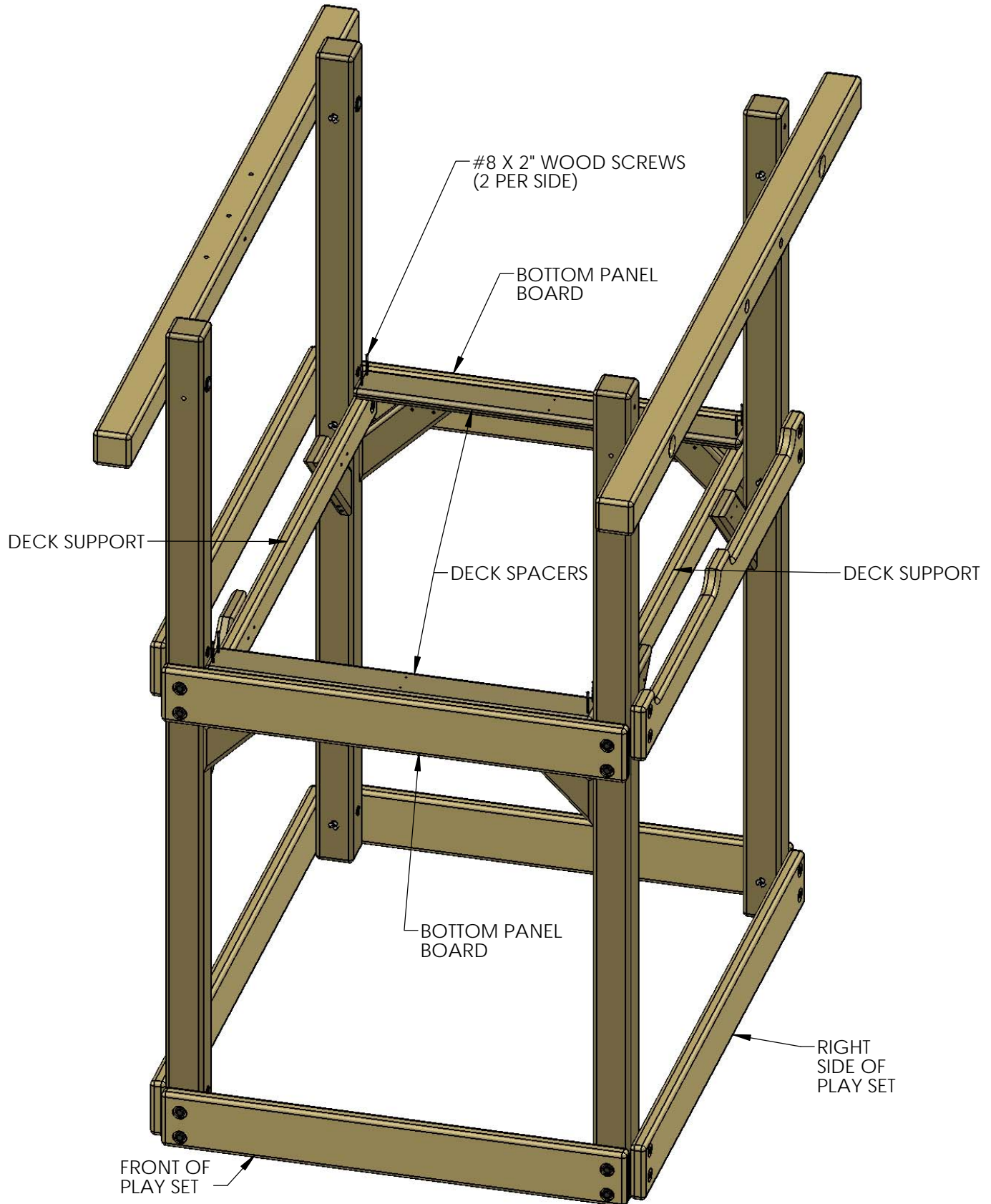


STEP 13: DECK SPACERS

1: LOCATE TWO 5/4 X 4 X 35" DECK SPACERS YOU DRILLED IN STEP 12.

2: PLACE THE DECK SPACERS ON TOP OF THE DECK SUPPORTS FLUSH TO THE INSIDE OF THE BOTTOM PANEL BOARD.

3: ATTACH EACH DECK SPACER TO THE DECK SUPPORTS WITH FOUR #8 X 2" WOOD SCREWS.

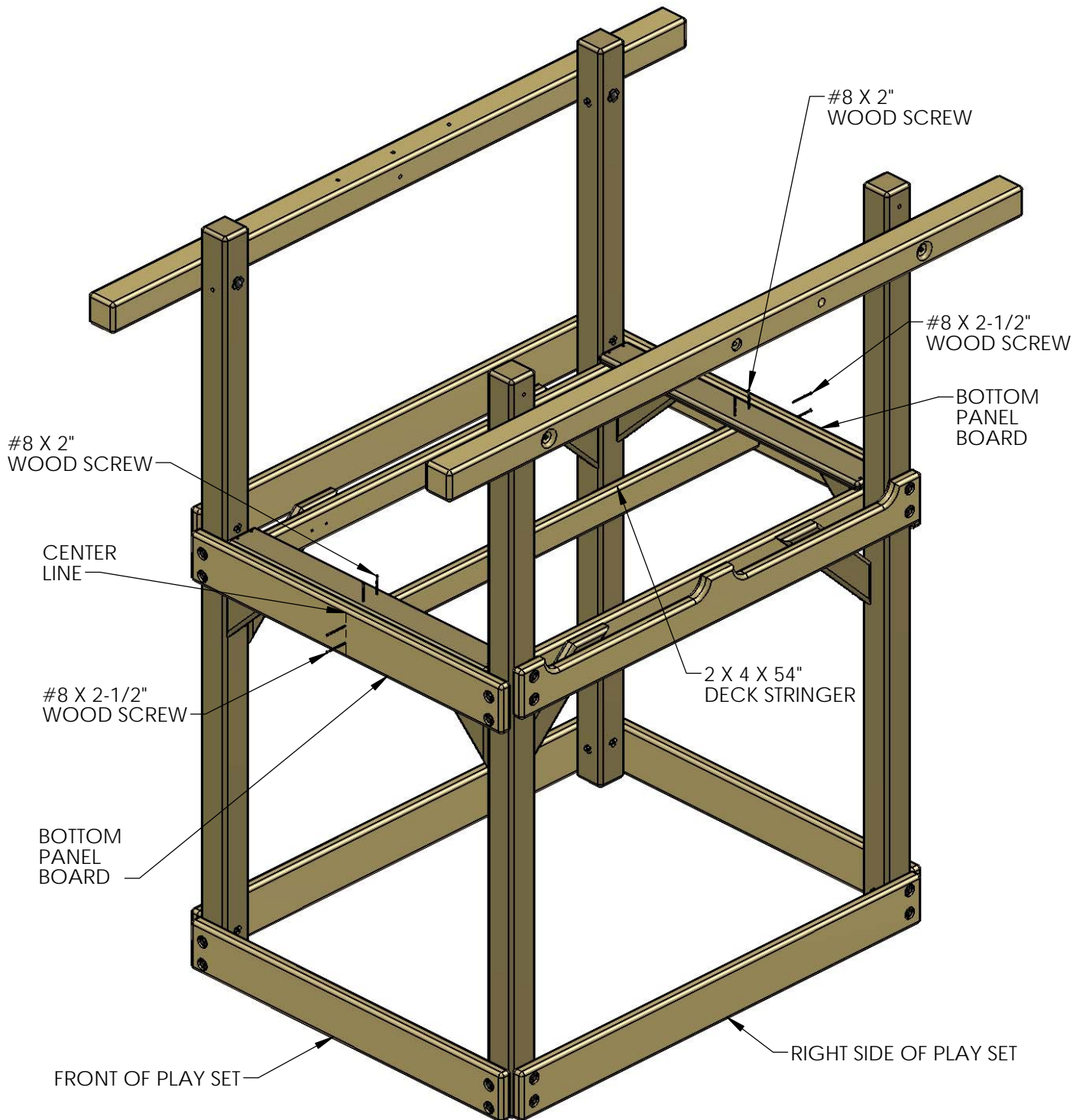


STEP 14: DECK STRINGER

1: PLACE THE 2 X 4 X 54" DECK STRINGER UNDERNEATH THE DECK SPACERS.

2: CENTER THE MIDDLE HOLES IN THE DECK SPACERS OVER THE CENTER OF THE DECK STRINGER. ATTACH THE DECK SPACERS TO THE DECK STRINGER WITH #8 X 2" WOOD SCREWS.

3: AT THE MIDDLE OF THE BOTTOM PANEL BOARDS DRAW A CENTER LINE. DRIVE TWO #8 X 2-1/2" WOOD SCREWS THROUGH THE BOTTOM PANEL BOARD INTO THE END OF THE CENTER DECK SUPPORT. DO THIS ON BOTH SIDES OF THE PLAY SET.

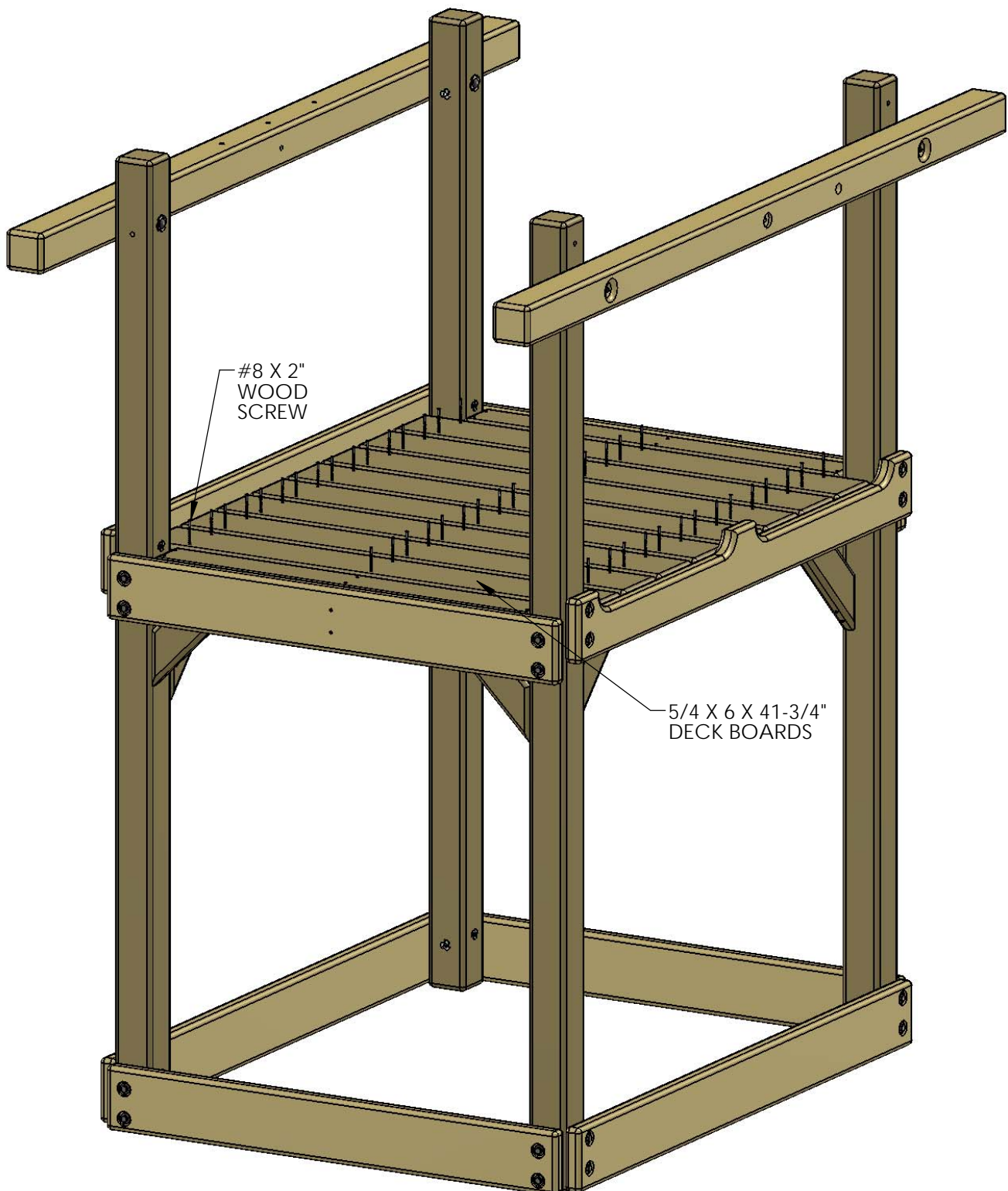


STEP 15: DECK BOARDS

1: LOCATE EIGHT 5/4 X 6 X 41-3/4" DECK BOARDS THAT WERE DRILLED IN STEP 12.

2: LAY THE DECK BOARDS EVENLY ACROSS THE TOP OF THE DECK SUPPORTS. THERE WILL BE A GAP OF APPROXIMATELY 1/4" BETWEEN BOARDS.

3: ATTACH EACH DECK BOARD TO THE DECK SUPPORTS AND DECK STRINGER WITH SIX 2" WOOD SCREWS.

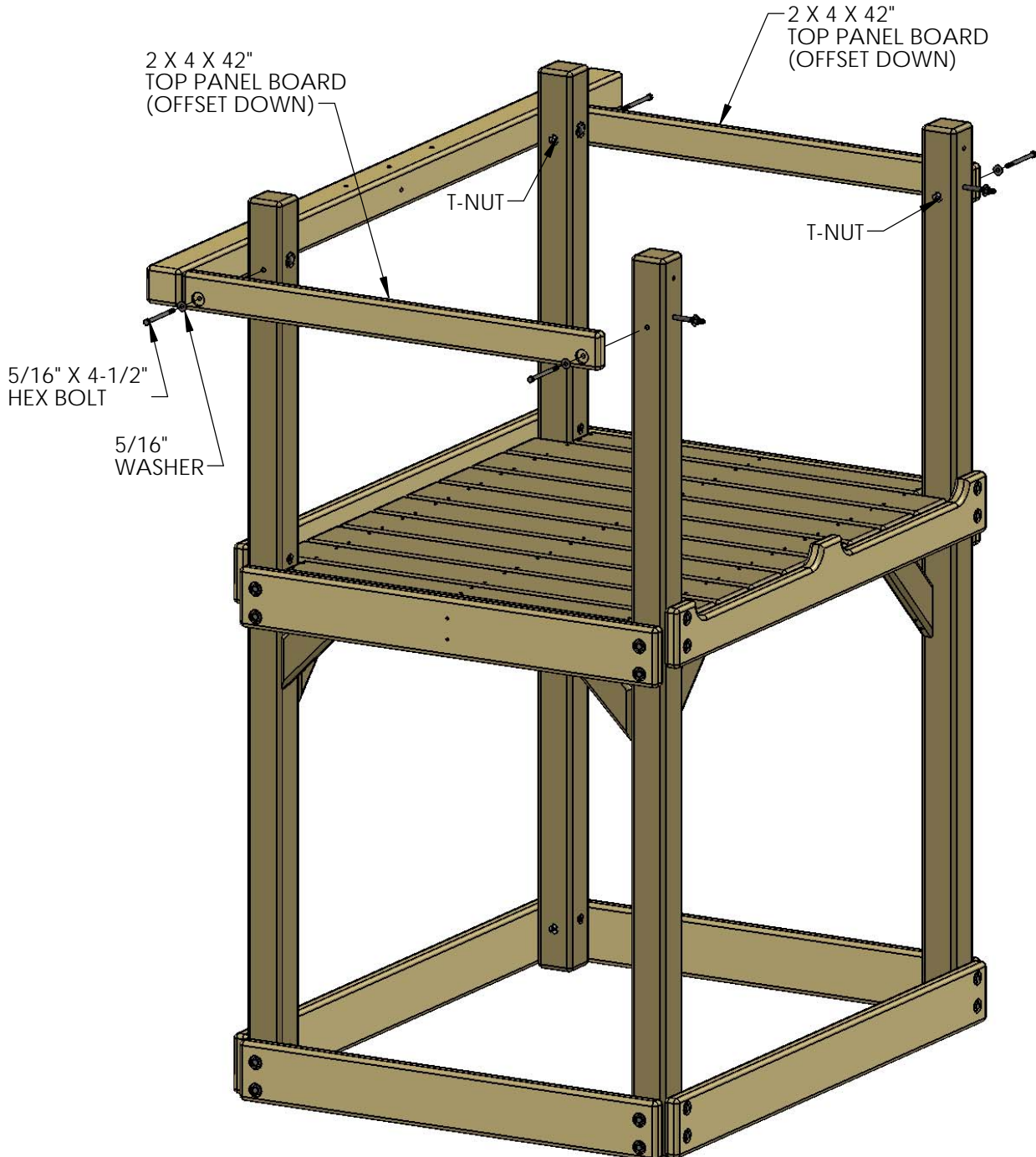


STEP 16: TOP PANEL BOARDS

1: LOCATE TWO 2 X 4 X 42" TOP PANEL BOARDS.

2: PLACE THE TOP PANEL BOARD (OFFSET DOWN) AGAINST THE CORNER POSTS AT THE TOP ON THE OUTSIDE. LINE UP THE HOLES IN THE TOP PANEL BOARD WITH THE HOLES AT THE TOP OF THE CORNER POSTS.

3: ATTACH THE TOP PANEL BOARD TO THE CORNER POSTS WITH 5/16" X 4-1/2" HEX BOLTS AND 5/16" WASHERS. THE HEX BOLTS WILL THREAD INTO THE T-NUTS ON THE INSIDE OF THE CORNER POSTS.

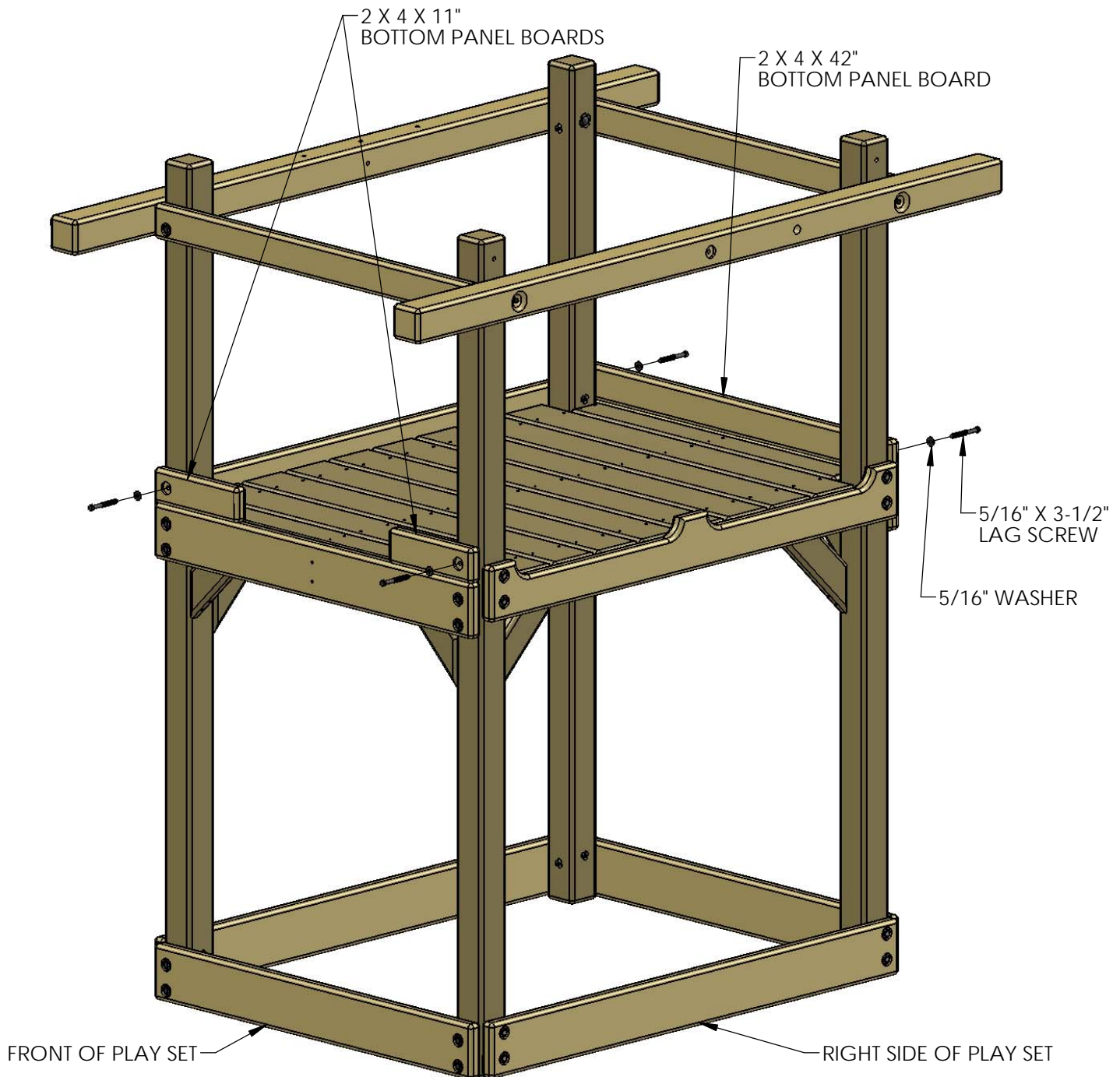


STEP 17: BOTTOM PANEL BOARDS

1: LOCATE TWO 2 X 4 X 11" BOTTOM PANEL BOARDS AND ONE 2 X 4 X 42" BOTTOM PANEL BOARD.

2: PLACE THE 2 X 4 X 11" BOTTOM PANEL BOARDS DIRECTLY ON TOP OF THE 2 X 6 X 42" BOTTOM PANEL BOARD AT THE FRONT OF THE PLAY SET. THE END OF THE 2 X 4 X 11" BOTTOM PANEL BOARD SHOULD BE FLUSH TO THE SIDE OF THE CORNER POST. ATTACH THE 2 X 4 X 11" BOTTOM PANEL BOARD TO THE CORNER POST WITH A 5/16" X 3-1/2" LAG SCREW AND A 5/16" WASHER.

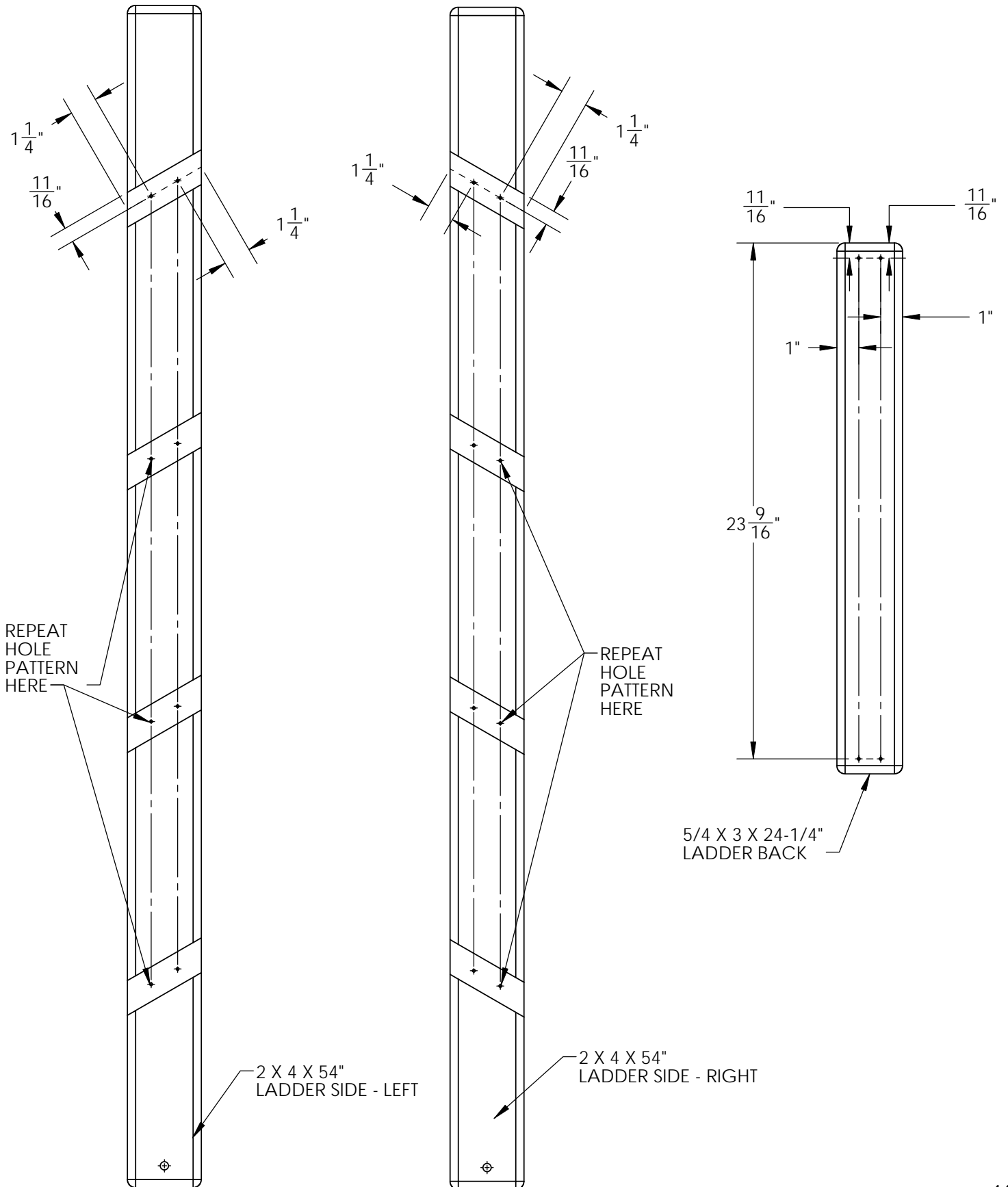
3: PLACE THE 2 X 4 X 42" BOTTOM PANEL BOARD DIRECTLY ON TOP OF THE 2 X 6 X 42" BOTTOM PANEL BOARD AT THE REAR OF THE PLAY SET. THE END OF THE 2 X 4 X 42" BOTTOM PANEL BOARD SHOULD BE FLUSH TO THE END OF THE 2 X 6 X 42" BOTTOM PANEL BOARD. ATTACH THE 2 X 4 X 42" BOTTOM PANEL BOARD TO THE CORNER POSTS WITH 5/16" X 3-1/2" LAG SCREWS AND 5/16" WASHERS.



STEP 18: DRILLING LADDER PARTS

1: LOCATE ONE 2 X 4 X 54" LADDER SIDE - LEFT, ONE 2 X 4 X 54" LADDER SIDE - RIGHT AND ONE 5/4 X 3 X 24-1/4" LADDER BACK.

2: DRILL 1/8" HOLES AT THE DIMENSIONS SHOWN BELOW.



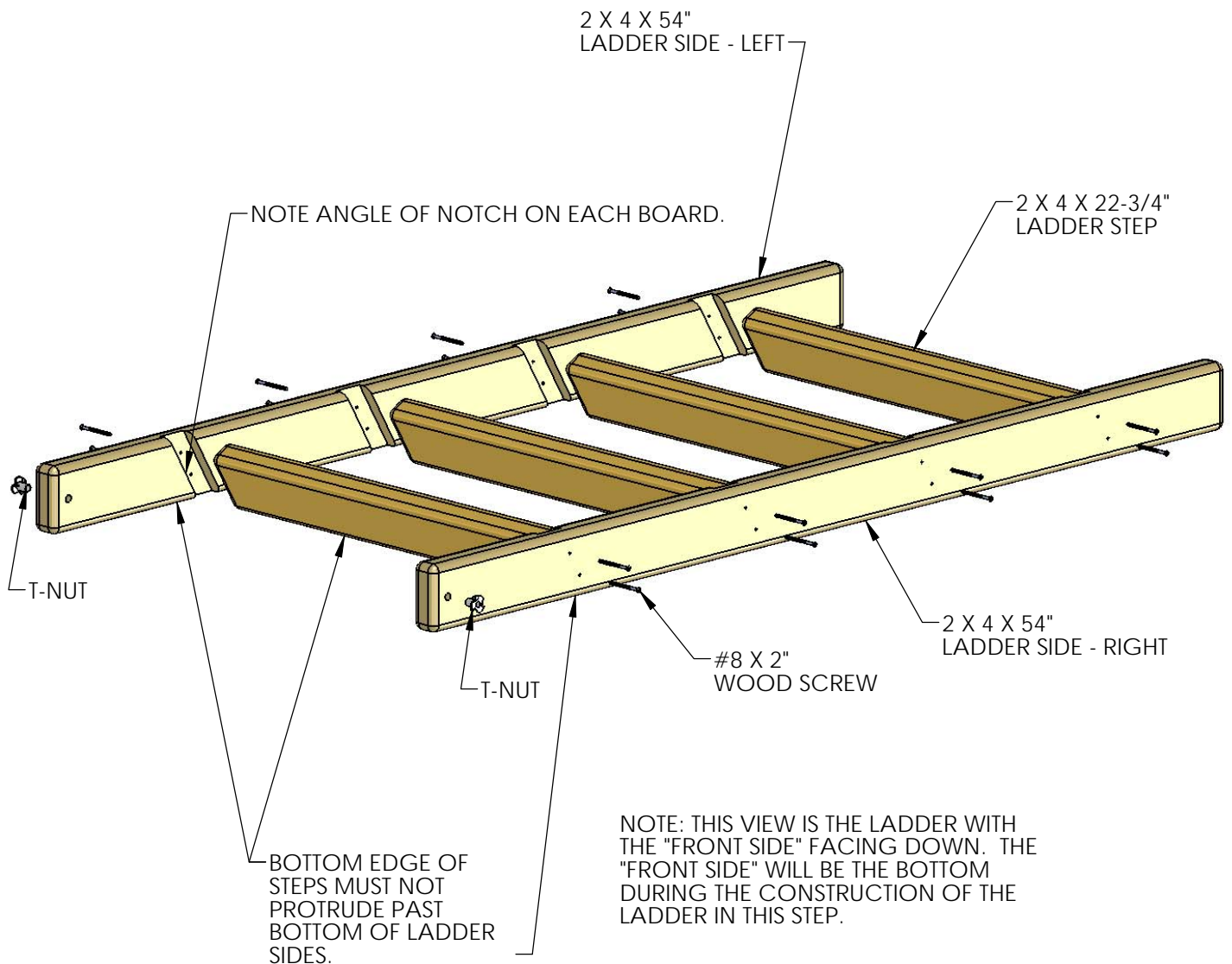
STEP 19: LADDER/ROCK WALL ASSEMBLY

1: PLACE THE 2 X 4 X 54" LADDER SIDE - LEFT AND THE 2 X 4 X 54" LADDER SIDE - RIGHT ON A FLAT SURFACE. THE LADDER IS SHOWN BELOW WITH THE "FRONT SIDE" FACING DOWN. NOTE THE ANGLE OF THE NOTCHES. THE NOTCHES FOR THE STEPS SHOULD FACE EACH OTHER ON THE INSIDE.

2: INSERT T-NUTS INTO THE HOLES ON THE OUTSIDE OF THE LADDER SIDES. HAMMER THEM INTO PLACE.

3: PLACE A 2 X 4 X 22-3/4" STEP IN EACH NOTCH. MAKE SURE THE BOTTOM EDGE OF EACH STEP DOES NOT PROTRUDE PAST THE BOTTOM OF THE LADDER SIDES.

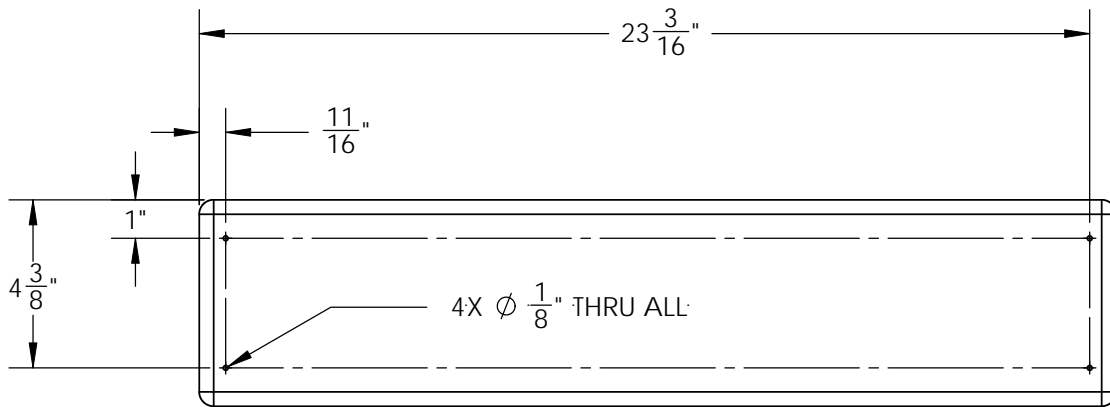
4: ATTACH EACH STEP TO THE LADDER SIDES WITH FOUR #8 X 2" WOOD SCREWS.



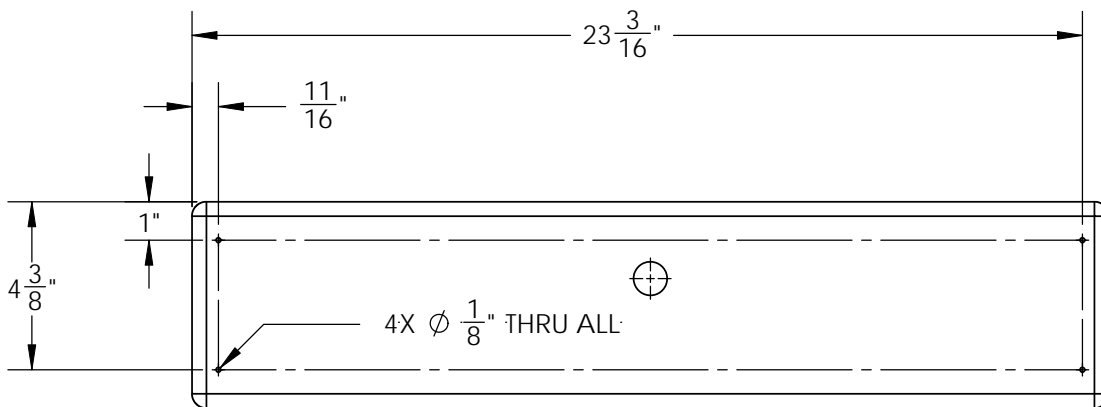
STEP 20: DRILLING ROCK WALL PARTS

1: LOCATE NINE 5/4 X 6 X 23-7/8" ROCK WALL BOARDS, ONE 5/4 X 6 X 23-7/8" BOTTOM ROCK WALL BOARD AND ONE 5/4 X 3 X 23-7/8" ROCK WALL TOP CAP.

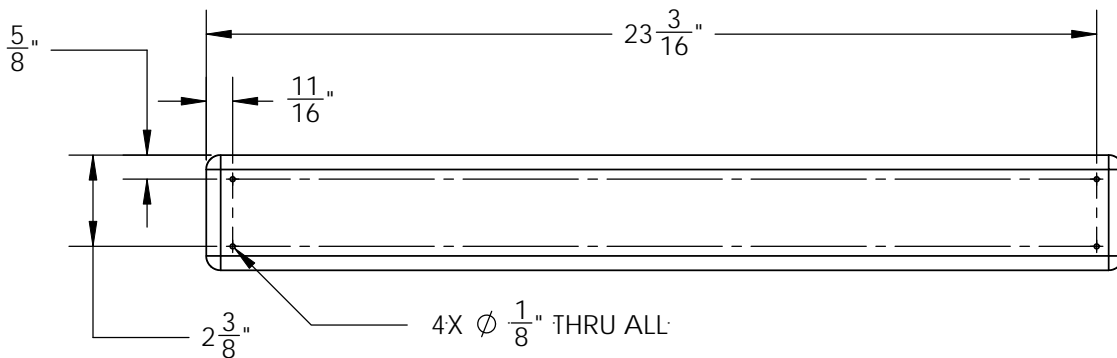
2: DRILL 1/8" DIAMETER HOLES AT THE DIMENSIONS SHOWN BELOW.



5/4 X 6 X 23-7/8"
ROCK WALL BOARDS
QUANTITY: 9



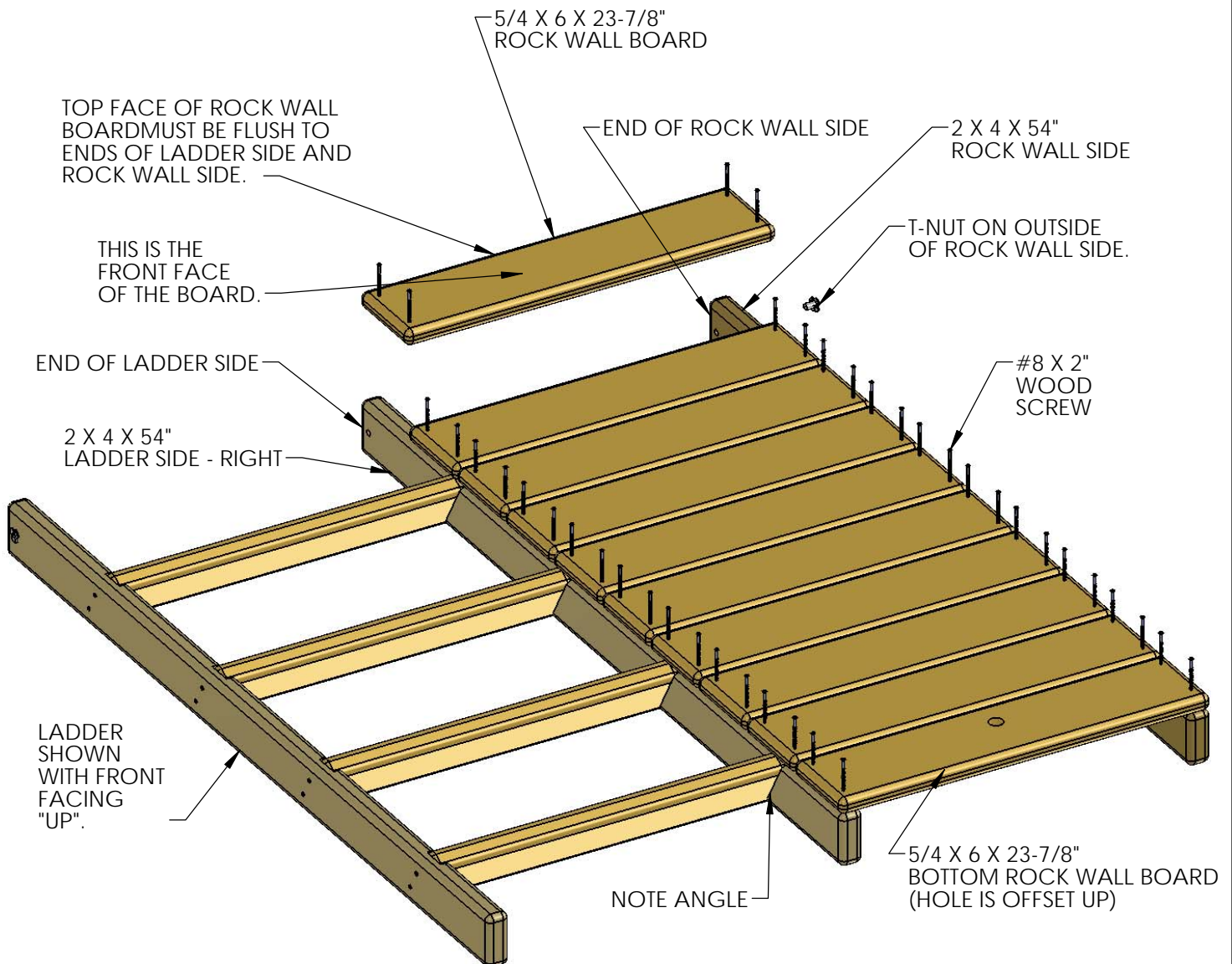
5/4 X 6 X 23-7/8"
BOTTOM ROCK WALL BOARD
QUANTITY: 1



5/4 X 3 X 23-7/8"
ROCK WALL TOP CAP
QUANTITY: 1

STEP 21: ROCK WALL

- 1: FLIP THE LADDER OVER SO THE FRONT SIDE IS FACING "UP".
- 2: PLACE A 2 X 4 X 54" ROCK WALL SIDE TO THE RIGHT OF THE LADDER. PLACE THE LADDER AND THE ROCK WALL SIDE ON A FLAT SURFACE DURING CONSTRUCTION.
- 3: HAMMER A T-NUT INTO THE HOLE IN THE ROCK WALL SIDE ON THE OUTSIDE.
- 4: PLACE A 5/4 X 6 X 23-7/8" ROCK WALL BOARD AT THE TOP OF THE LADDER SIDE-RIGHT AND ROCK WALL SIDE. THE TOP FACE OF THE ROCK WALL BOARD MUST BE FLUSH WITH THE ENDS OF THE LADDER SIDE AND ROCK WALL SIDE.
- 5: PLACE THE REMAINING EIGHT ROCK WALL BOARDS FLUSH TO ONE ANOTHER AND FLUSH TO THE SIDES OF THE LADDER SIDE AND ROCK WALL SIDE. PLACE THE BOTTOM ROCK WALL BOARD FLUSH TO THE LAST ROCK WALL BOARD. THE BOTTOM ROCK WALL BOARD IS ALSO FLUSH TO THE LADDER SIDE AND ROCK WALL SIDE. THE MIDDLE HOLE IN THE BOTTOM ROCK WALL BOARD SHOULD BE OFFSET UP.
- 6: MAKE SURE ALL THE BOARDS ARE SQUARE TO THE ROCK WALL SIDE AND LADDER SIDE. THEN ATTACH THE ROCK WALL BOARDS AND BOTTOM ROCK WALL BOARDS TO THE LADDER SIDE AND ROCK WALL SIDE WITH #8 X 2" WOOD SCREWS.

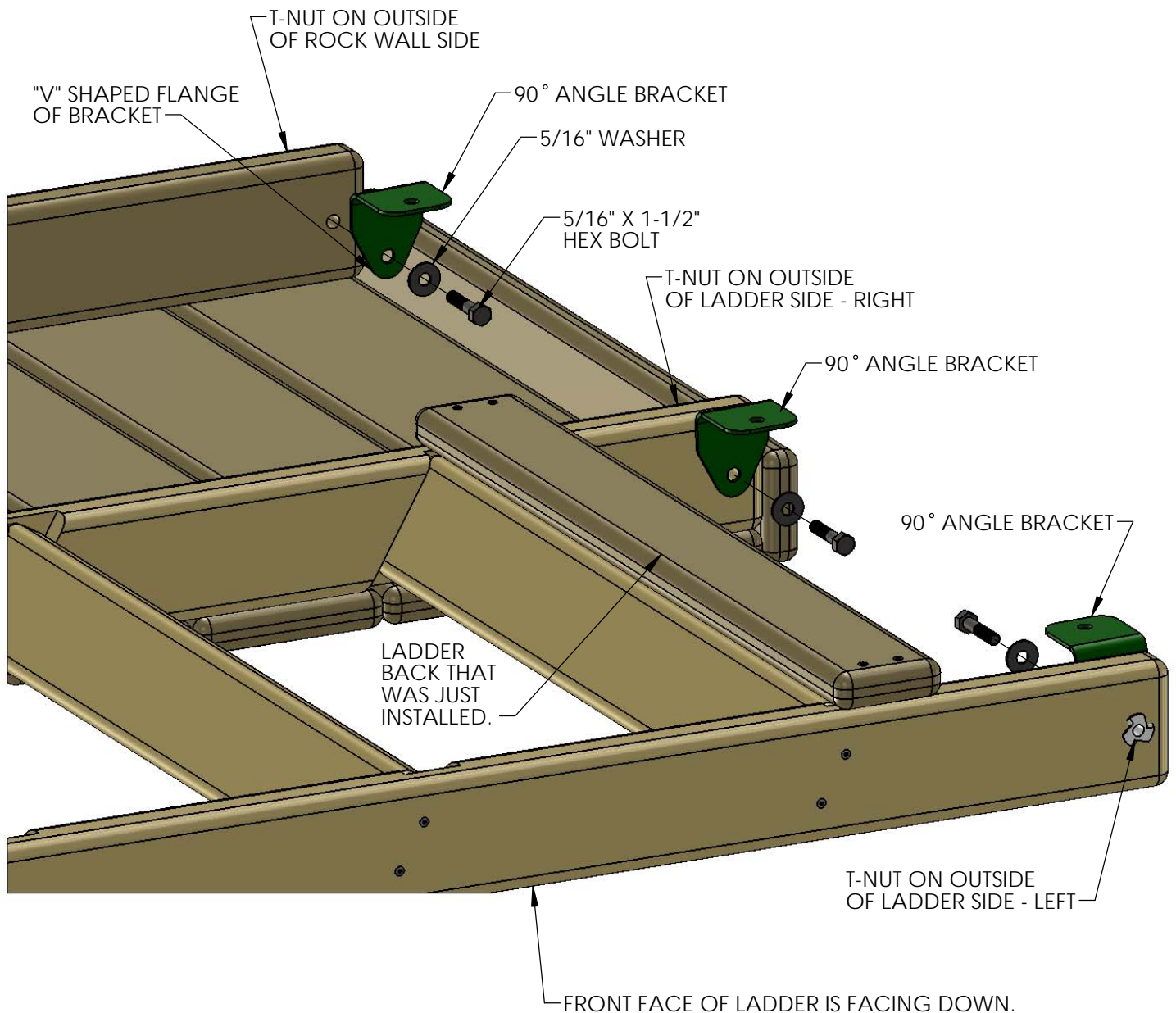


STEP 23: 90 DEGREE ANGLE BRACKETS

1: ATTACH THE "V" SHAPED FLANGE OF A 90° ANGLE BRACKET TO THE LADDER SIDES AND ROCK WALL SIDE AS SHOWN BELOW.

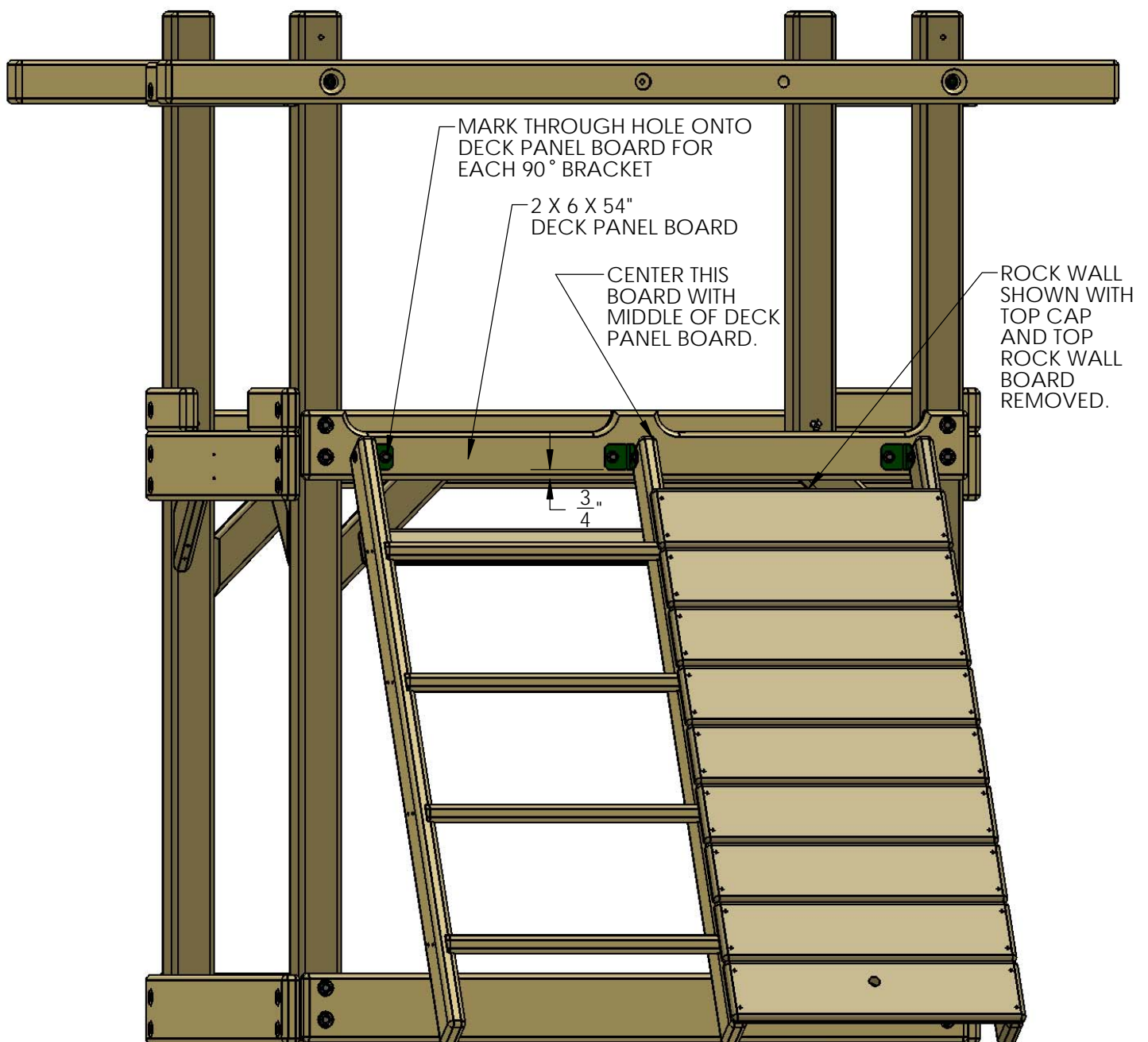
2: EACH 90° ANGLE BRACKET WILL ATTACH TO THE LADDER SIDE OR ROCK WALL SIDE WITH A 5/16" X 1-1/2" HEX BOLT AND A 5/16" WASHER. THE HEX BOLT WILL THREAD INTO THE T-NUT ON THE LADDER SIDE OR ROCK WALL SIDE.

3: SNUG EACH HEX BOLT DOWN SO THAT THE 90° ANGLE BRACKET WILL STILL PIVOT ON THE HEX BOLT.



STEP 24: DRILL HOLES FOR LADDER/ROCK WALL

- 1: REMOVE THE ROCK WALL TOP CAP AND TOP MOST ROCK WALL BOARD.
- 2: PLACE THE LADDER/ROCK WALL AGAINST THE RIGHT SIDE OF THE PLAY SET. CENTER THE LADDER SIDE - RIGHT WITH THE CENTER OF THE 2 X 6 X 54" DECK PANEL BOARD.
- 3: THE BOTTOM OF EACH 90° ANGLE BRACKET SHOULD BE 3/4" FROM THE BOTTOM OF THE DECK PANEL BOARD.
- 4: MARK THROUGH THE HOLE IN EACH 90° ANGLE BRACKET ONTO THE DECK PANEL BOARD WITH A PENCIL OR PEN.
- 5: MOVE THE LADDER/ROCK WALL AWAY FROM THE PLAY SET.
- 6: DRILL 3/8" HOLES AT EACH MARK THROUGH THE DECK PANEL BOARD.



STEP 25: ATTACH LADDER/ROCK WALL

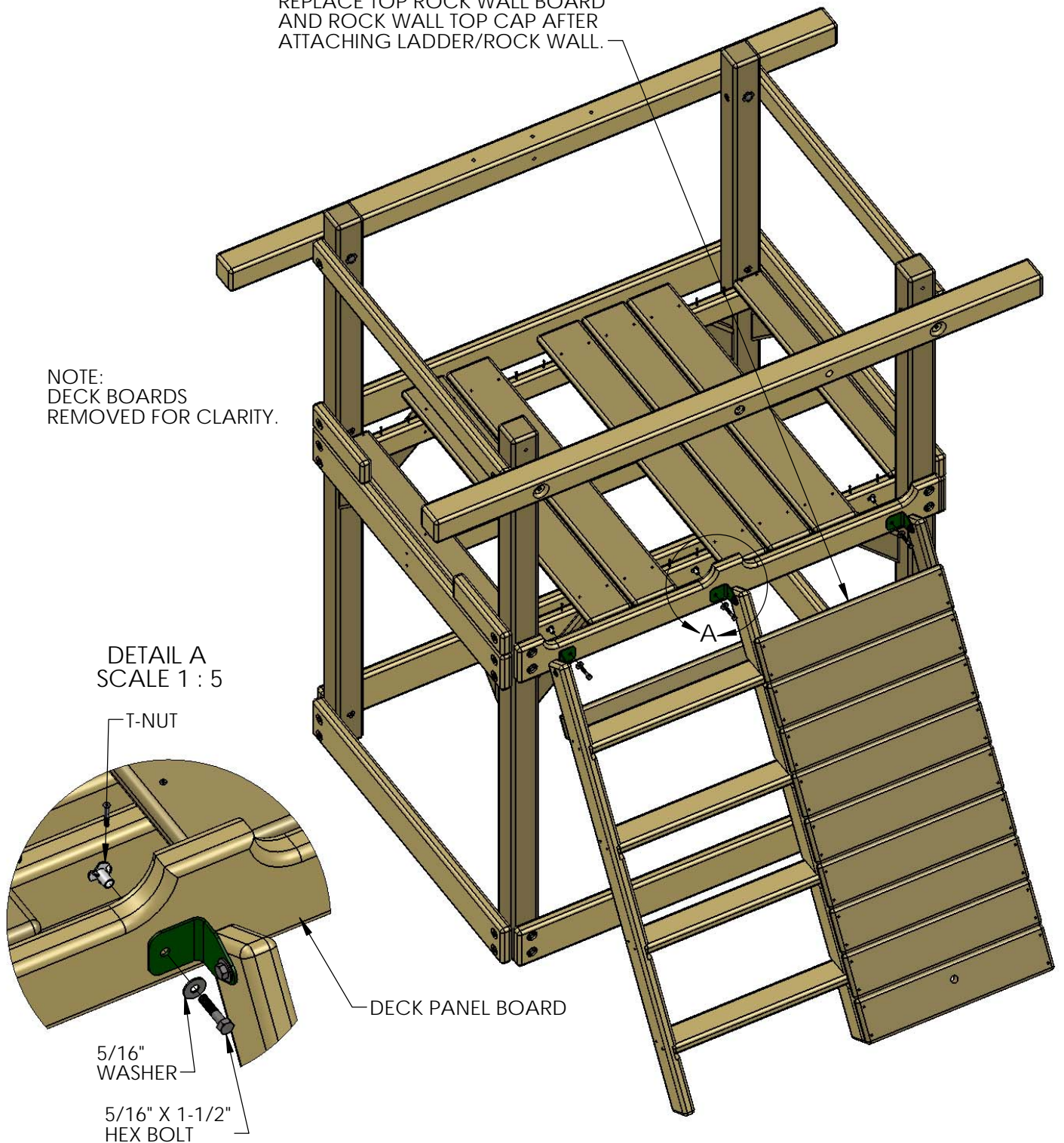
1: PLACE A T-NUT IN THE BACK SIDE OF THE DECK PANEL BOARD INTO EACH OF THE THREE HOLES DRILLED PREVIOUSLY.

2: ATTACH THE 90° ANGLE BRACKETS ON THE LADDER/ROCK WALL TO THE PLAY SET WITH 5/16" X 1-1/2" HEX BOLTS AND 5/16" WASHERS. EACH HEX BOLT WILL THREAD INTO THE T-NUT ON THE INSIDE OF THE DECK PANEL BOARD.

3: REPLACE THE TOP ROCK WALL BOARD. THEN REPLACE THE ROCK WALL TOP CAP.

REPLACE TOP ROCK WALL BOARD
AND ROCK WALL TOP CAP AFTER
ATTACHING LADDER/ROCK WALL.

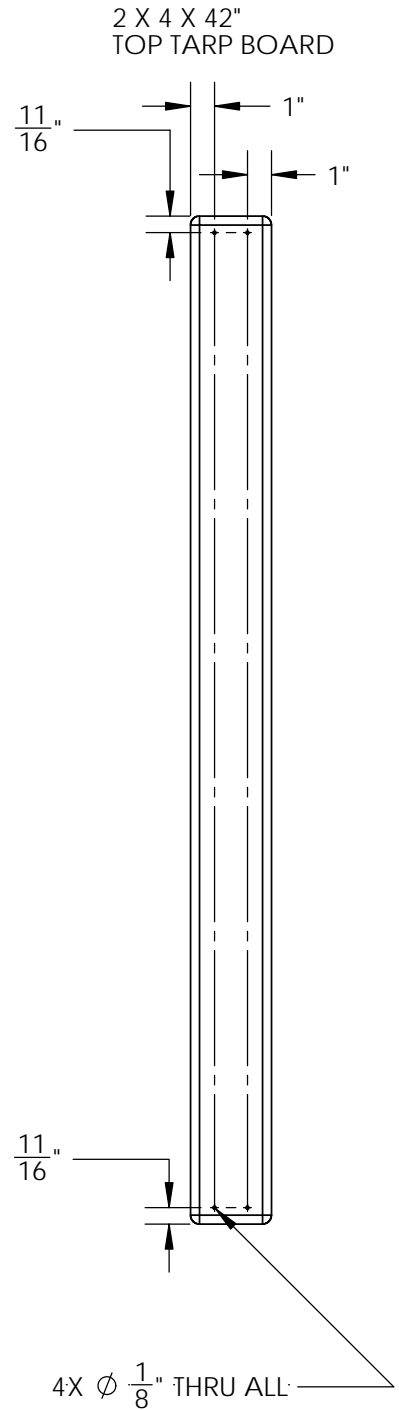
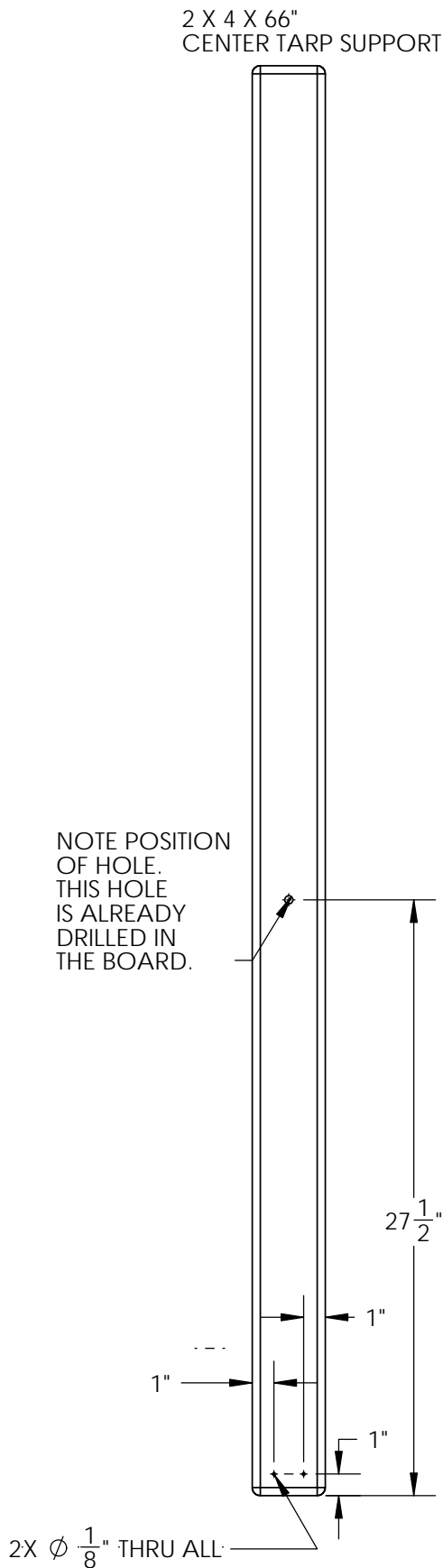
NOTE:
DECK BOARDS
REMOVED FOR CLARITY.



STEP 26: DRILLING TARP PARTS

1: LOCATE TWO 2 X 4 X 66" CENTER TARP SUPPORTS AND ONE 2 X 4 X 42" TOP TARP BOARD.

2: DRILL 1/8" DIAMETER HOLES AT THE DIMENSIONS SHOWN BELOW.

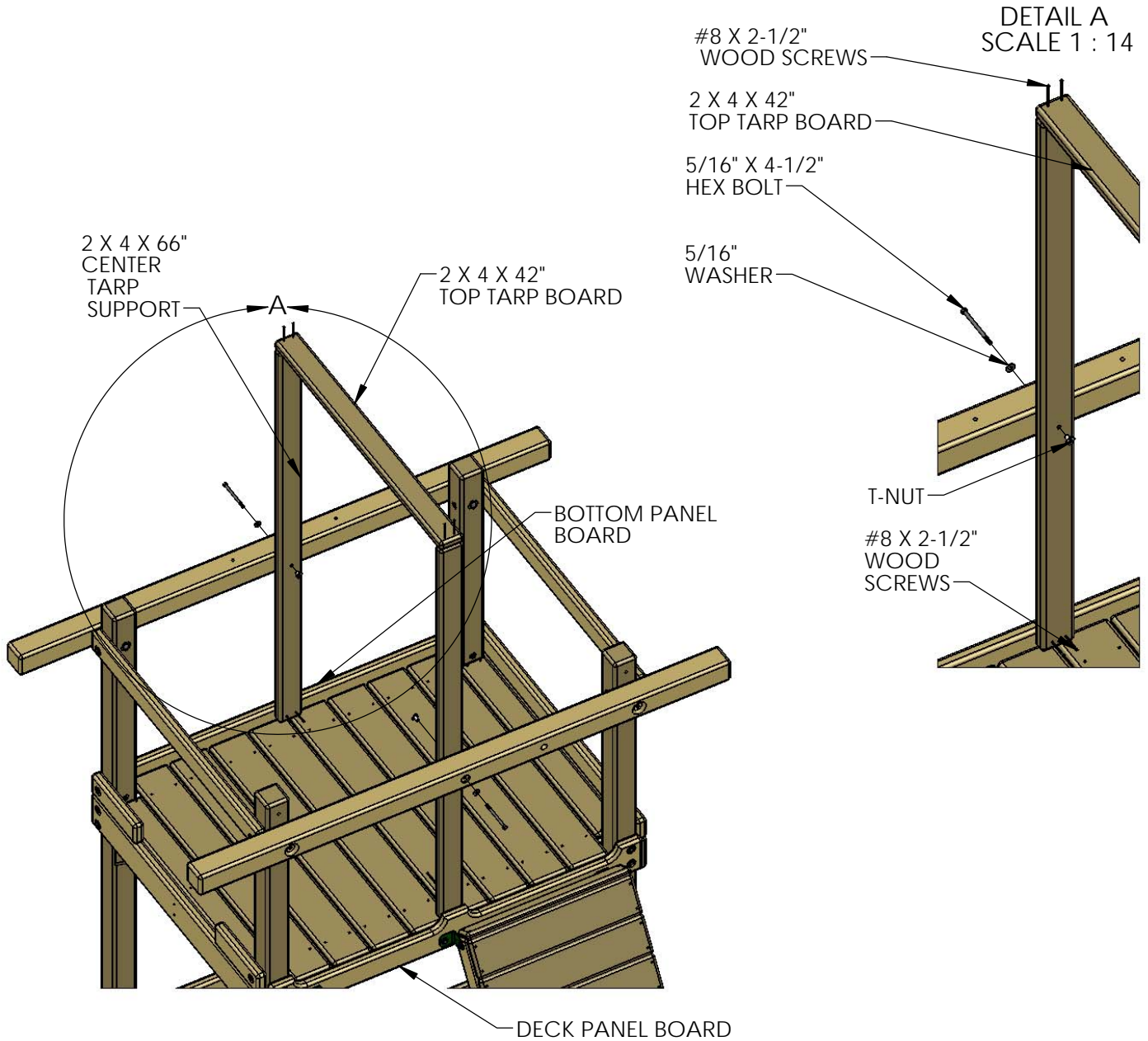


STEP 27: TARP SUPPORTS AND TOP TARP BOARD

1: INSTALL A T-NUT INTO THE HOLE IN THE 2 X 4 X 66" CENTER TARP SUPPORT. PLACE THE CENTER TARP SUPPORT AGAINST THE SWING BEAM SIDE RAIL AND LINE UP THE HOLES. ATTACH THE CENTER TARP SUPPORT TO THE SWING BEAM SIDE RAIL WITH A 5/16" X 4-1/2" HEX BOLT AND A 5/16" WASHER FROM THE OUTSIDE. SQUARE THE CENTER TARP SUPPORT TO THE DECK. ATTACH THE CENTER TARP SUPPORT TO THE BOTTOM PANEL BOARD WITH TWO #8 X 2-1/2" WOOD SCREWS.

2: INSTALL A T-NUT INTO THE HOLE IN THE 2 X 4 X 66" CENTER TARP SUPPORT. PLACE THE CENTER TARP SUPPORT AGAINST THE SIDE RAIL AND LINE UP THE HOLES. ATTACH THE CENTER TARP SUPPORT TO THE SIDE RAIL WITH A 5/16" X 4-1/2" HEX BOLT AND A 5/16" WASHER FROM THE OUTSIDE. SQUARE THE CENTER TARP SUPPORT TO THE DECK. ATTACH THE CENTER TARP SUPPORT TO THE DECK PANEL BOARD WITH #8 X 2-1/2" WOOD SCREWS.

3: ATTACH THE 2 X 4 X 42" TOP TARP BOARD ON TOP OF THE CENTER TARP SUPPORTS WITH FOUR #8 X 2-1/2" WOOD SCREWS.

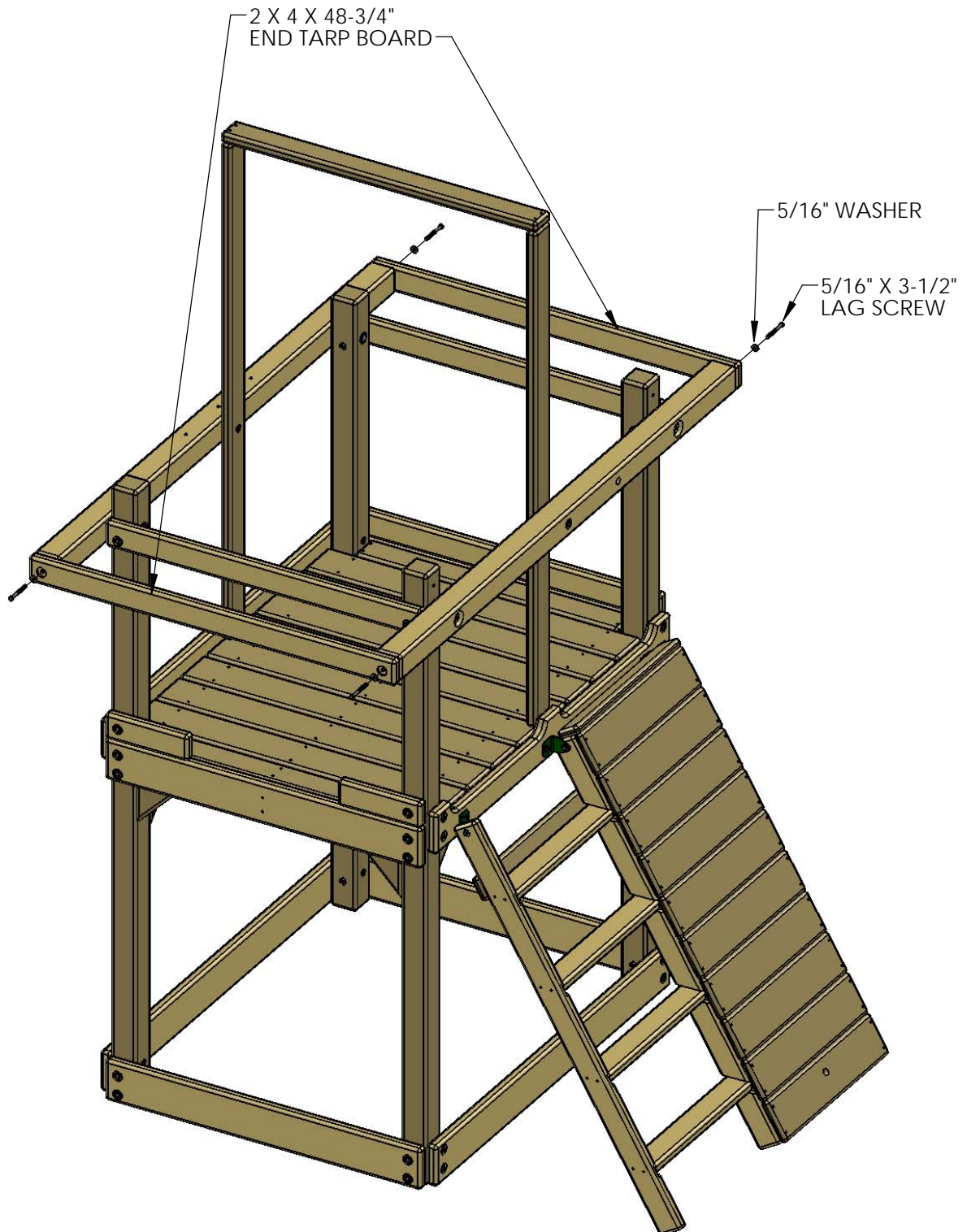


STEP 28: END TARP BOARDS

1: LOCATE TWO 2 X 4 X 48-3/4" END TARP BOARDS.

2: PLACE EACH END TARP BOARD AT THE ENDS OF THE SIDE RAIL AND SWING BEAM SIDE RAIL. COUNTERBORED HOLES FACE OUT FOR EACH END TARP BOARD.

3: ATTACH EACH END TARP BOARD TO THE SIDE RAILS WITH 5/16" X 3-1/2" LAG SCREWS AND 5/16" WASHERS.



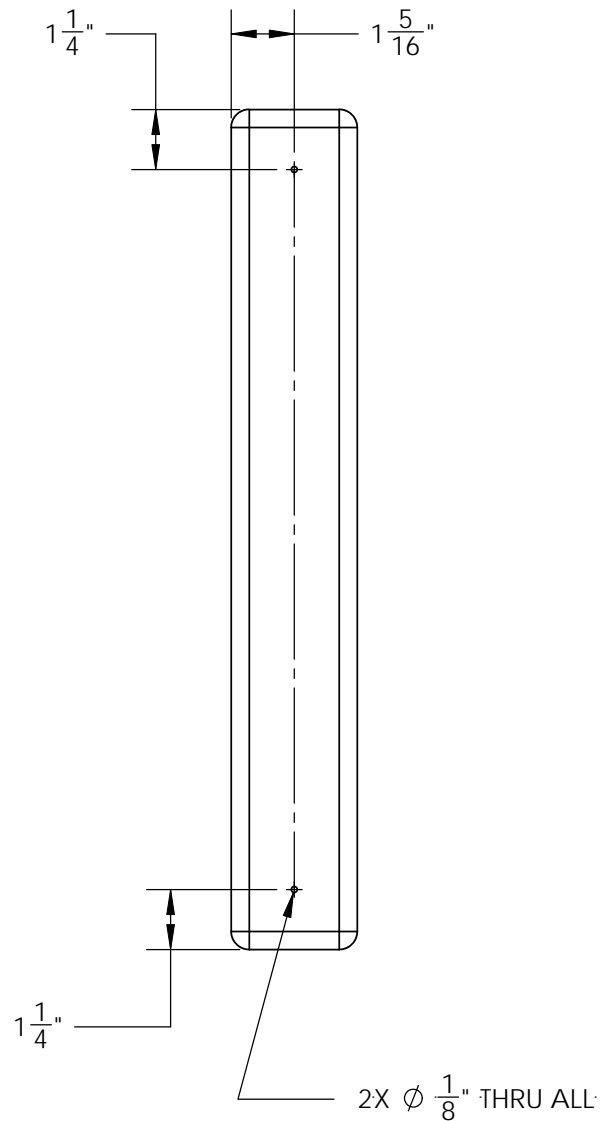
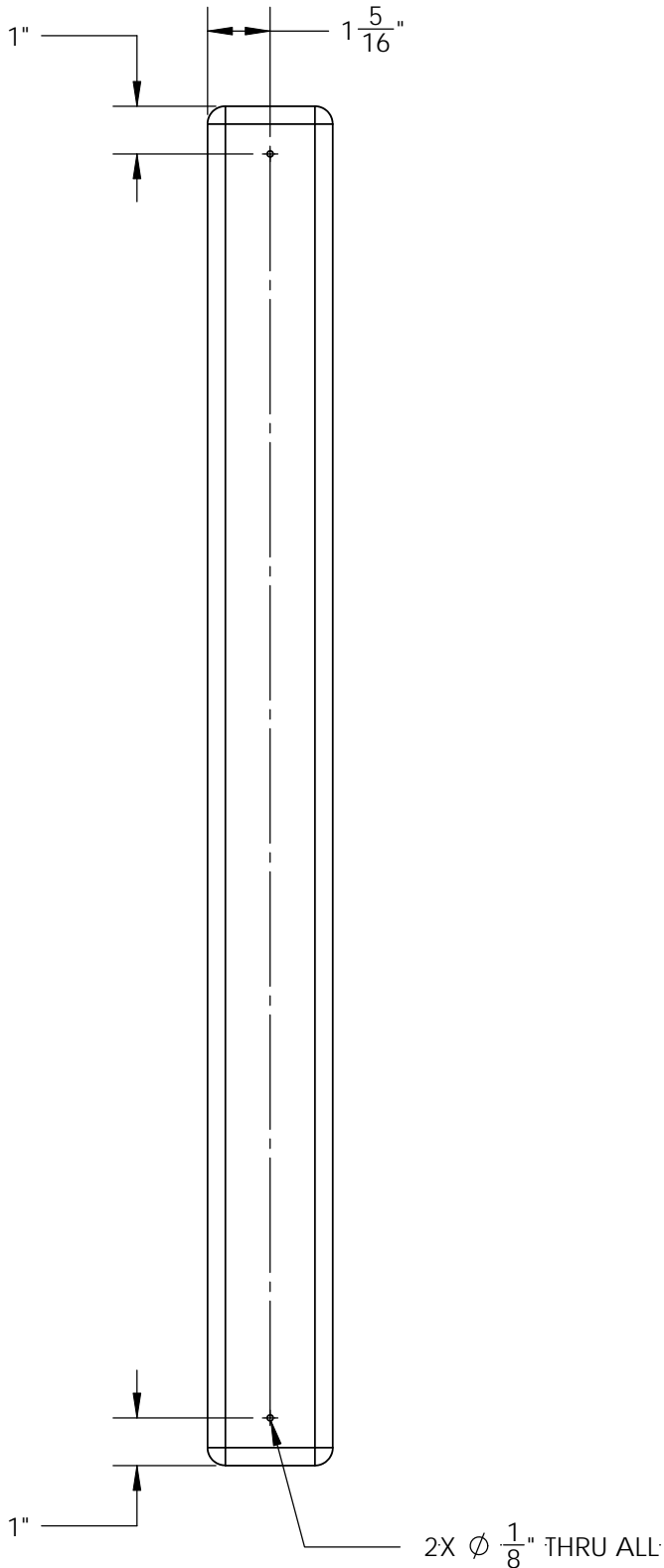
STEP 29: DRILLING PANEL SLATS/TIC TAC TOE MOUNTS

1: LOCATE SIXTEEN 5/4 X 3 X 28-1/2" PANEL SLATS AND TWO 5/4 X 3 X 17-1/2" TIC TAC TOE MOUNTS.

2: DRILL 1/8" DIAMETER HOLES AT THE DIMENSIONS SHOWN BELOW.

5/4 X 3 X 28-1/2"
PANEL SLAT
QUANTITY: 16

5/4 X 3 X 17-1/2"
TIC TAC TOE MOUNT
QUANTITY: 2

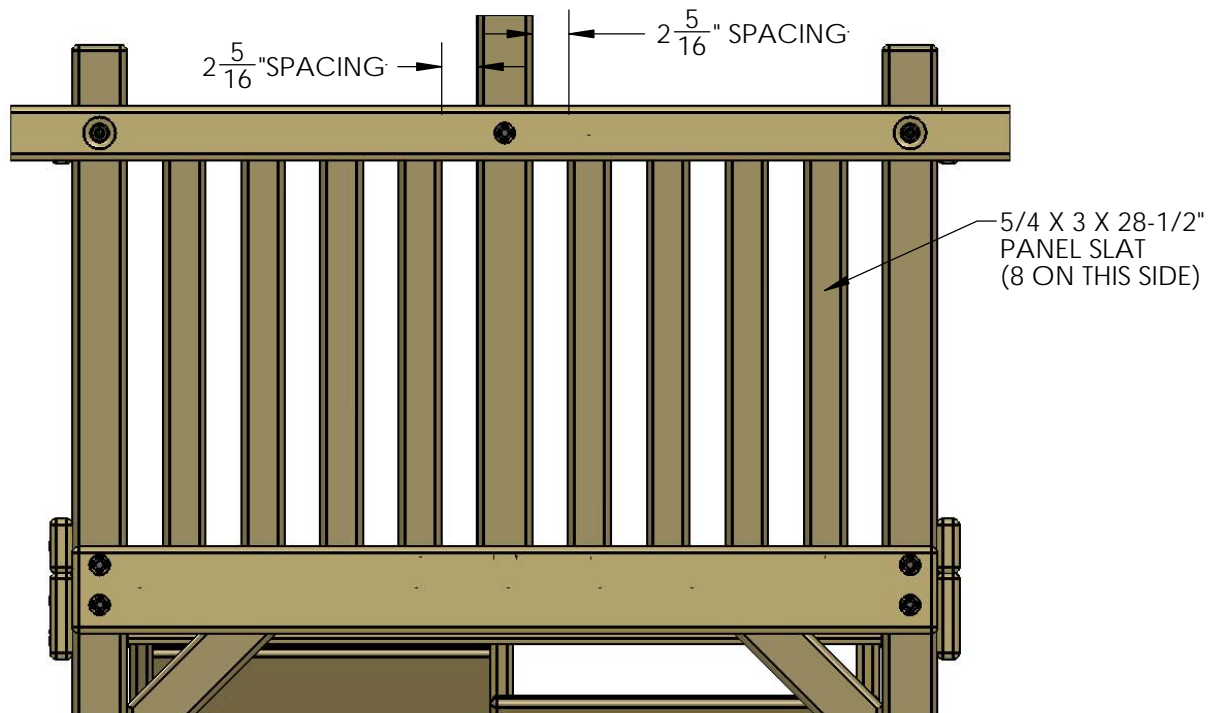
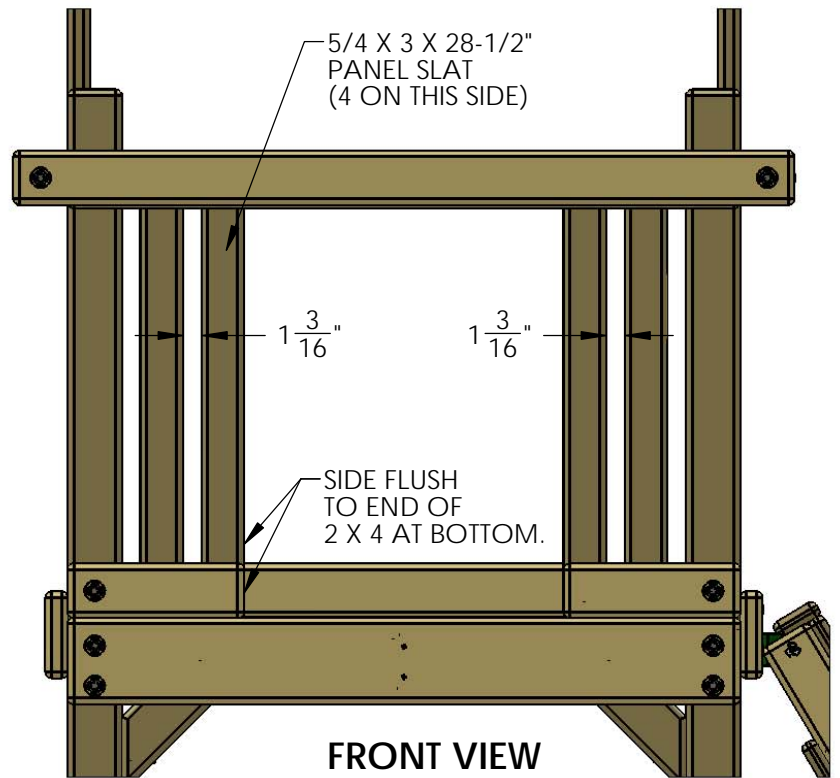
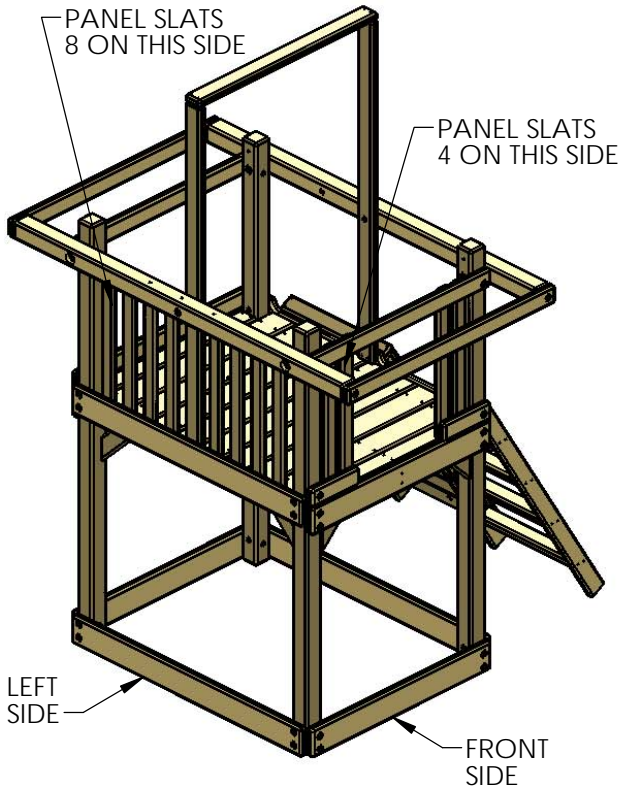


STEP 30: INSTALLING PANEL SLATS

1: LOCATE TWELVE 5/4 X 3 X 28-1/2" PANEL SLATS.

2: PLACE THE PANEL SLATS ON THE FRONT SIDE AND LEFT SIDE OF THE PLAY SET AS SHOWN BELOW USING THE SPACING SHOWN.

3: ATTACH EACH PANEL SLAT TO THE UPPER AND LOWER BOARDS ON THE INSIDE OF THE PLAY SET WITH #8 X 2" WOOD SCREWS. THE BOTTOM OF EACH PANEL SLAT WILL REST ON TOP OF THE DECK BOARDS OR DECK SPACERS.



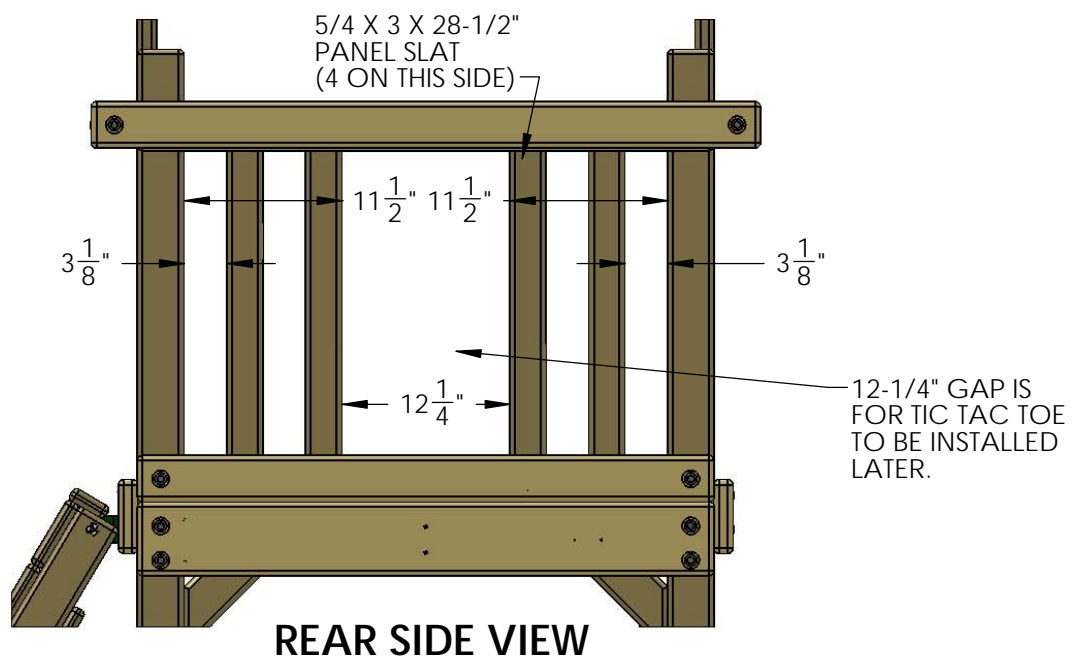
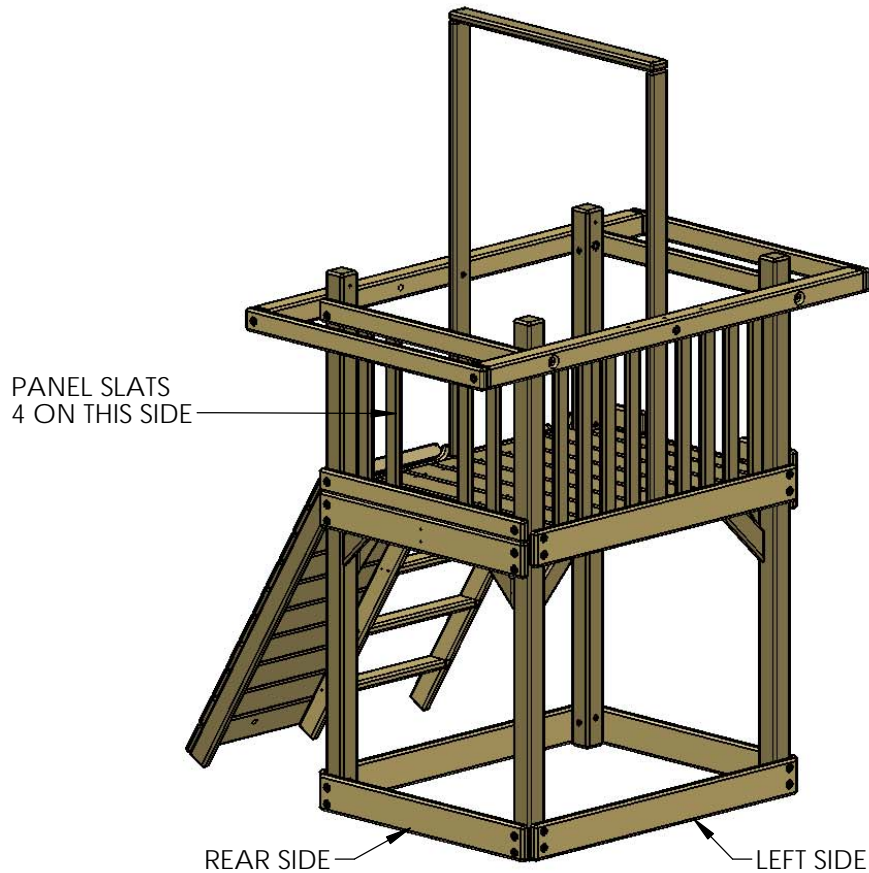
LEFT SIDE VIEW

STEP 31: INSTALLING PANEL SLATS

1: LOCATE FOUR 5/4 X 3 X 28-1/2" PANEL SLATS.

2: PLACE THE PANEL SLATS ON THE REAR SIDE OF THE PLAY SET AS SHOWN BELOW.

3: ATTACH EACH PANEL SLAT TO THE UPPER AND LOWER BOARDS ON THE INSIDE OF THE PLAY SET WITH #8 X 2" WOOD SCREWS. THE BOTTOM OF EACH PANEL SLAT WILL REST ON TOP OF THE DECK SPACER.

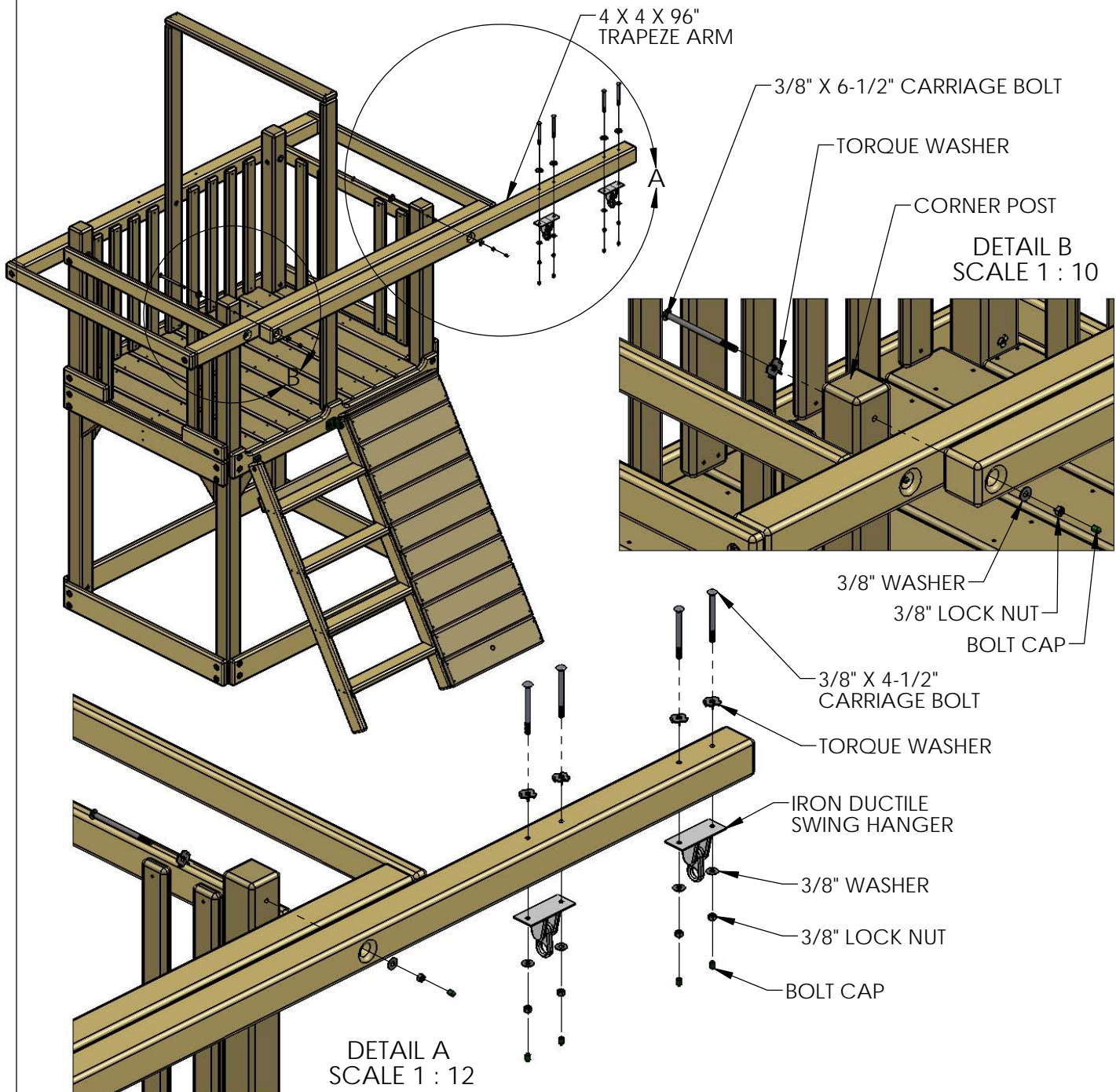


STEP 32: TRAPEZE ARM

1: LOCATE THE 4 X 4 X 96" TRAPEZE ARM AND TWO IRON DUCTILE SWING HANGERS.

2: ATTACH THE SWING HANGERS UNDERNEATH THE TRAPEZE ARM. USE 3/8" X 4-1/2" CARRIAGE BOLTS WITH TORQUE WASHERS ON TOP. HAMMER THE CARRIAGE BOLT TO SET THE TORQUE WASHER INTO THE WOOD AFTER LINING UP THE SQUARE SHANK OF THE CARRIAGE BOLT WITH THE SQUARE HOLE IN THE TORQUE WASHER. FASTEN THE SWING HANGER FROM UNDERNEATH WITH 3/8" WASHERS, 3/8" LOCK NUTS AND BOLT CAPS.

3: PLACE THE TRAPEZE ARM ON TOP OF THE SIDE RAIL. CLIMB UP ON TOP OF THE DECK AND PLACE A 3/8" X 6-1/2" CARRIAGE BOLT WITH TORQUE WASHER INTO THE HOLES IN ON THE INSIDE OF THE CORNER POSTS. LINE UP THE SQUARE SHANK OF THE CARRIAGE BOLT WITH THE SQUARE HOLE IN THE TORQUE WASHER. SHOVE THE CARRIAGE BOLTS THROUGH THE HOLES IN THE TRAPEZE ARM. HAMMER THE CARRIAGE BOLTS TO SET THE TORQUE WASHERS. FASTEN THE TRAPEZE ARM TO THE CORNER POSTS WITH 3/8" WASHERS, 3/8" LOCK NUTS AND BOLT CAPS.

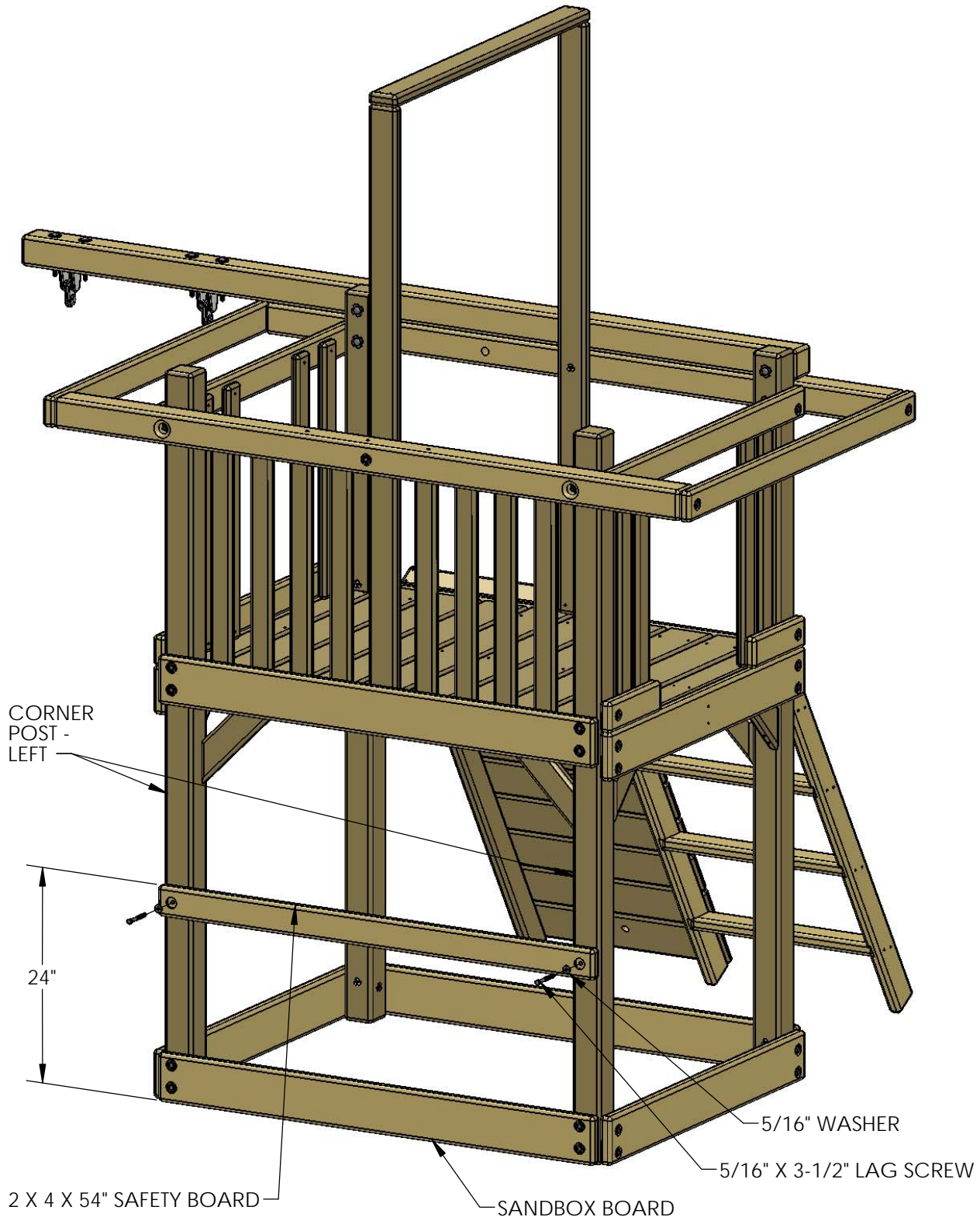


STEP 33: SAFETY BOARD

1: LOCATE THE 2 X 4 X 54" SAFETY BOARD.

2: MEASURE 24" UP FROM THE BOTTOM OF THE SANDBOX BOARD AND MAKE A MARK ONTO THE LEFT CORNER POSTS. PLACE THE TOP OF THE SAFETY BOARD EVEN WITH THE MARKS.

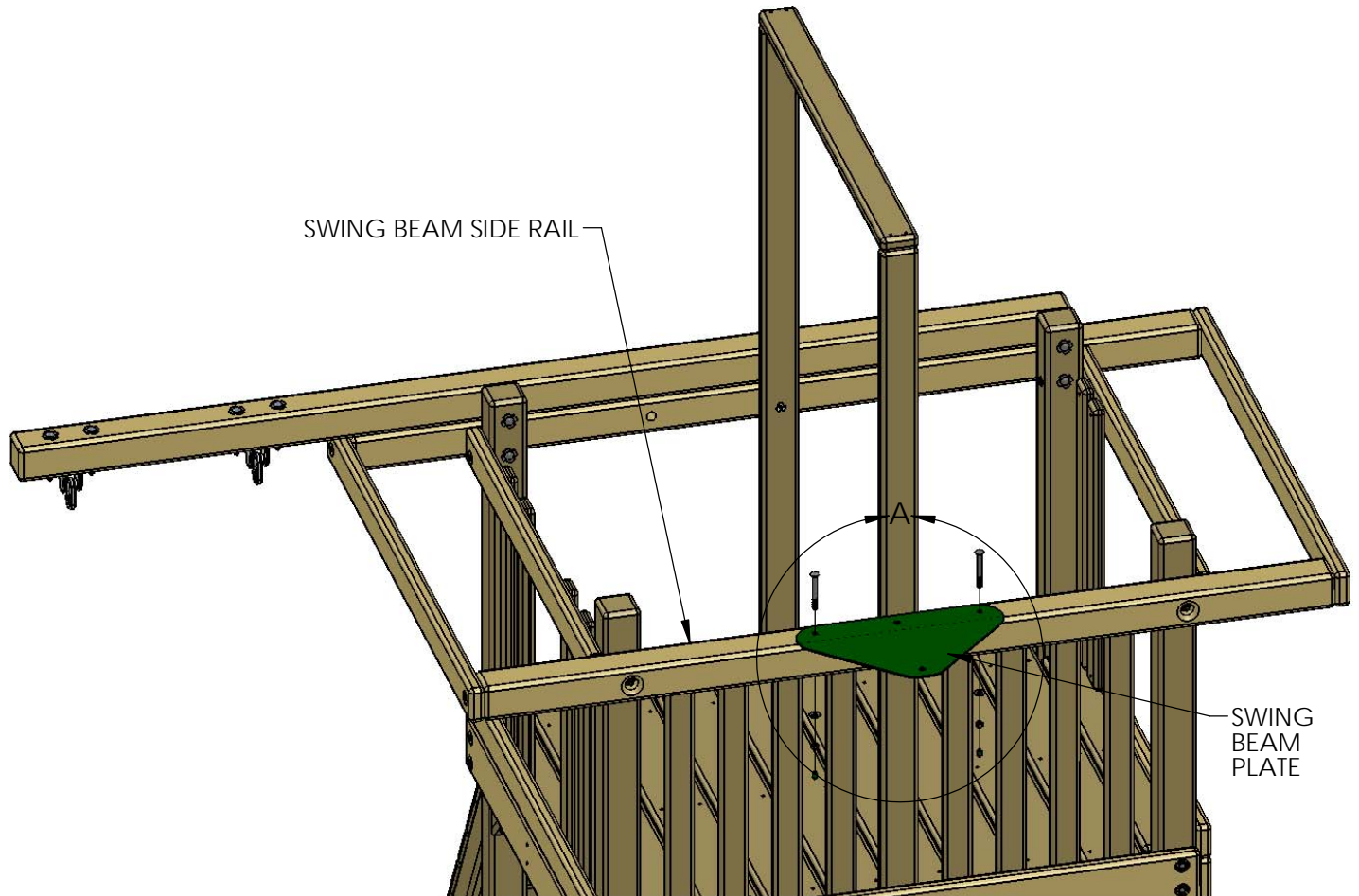
3: ATTACH THE SAFETY BOARD TO THE LEFT CORNER POSTS WITH 5/16" X 3-1/2" LAG SCREWS AND 5/16" WASHERS.



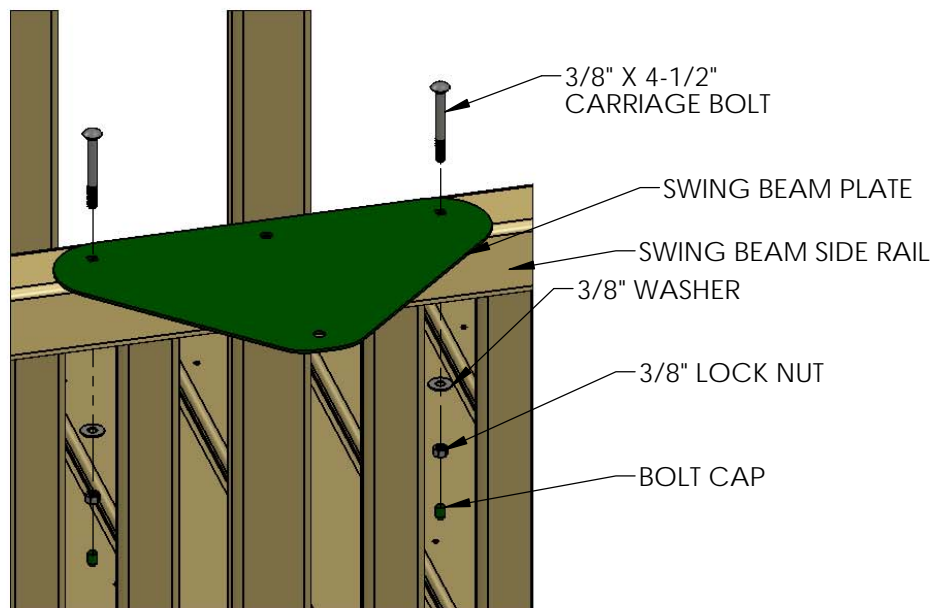
STEP 34: SWING BEAM PLATE

1: LOCATE THE SWING BEAM PLATE AND PLACE IT ON TOP OF THE SWING BEAM SIDE RAIL. LINE UP THE HOLES IN THE SWING BEAM PLATE WITH THE HOLES IN THE SWING BEAM SIDE RAIL.

2: FASTEN THE SWING BEAM PLATE TO THE SWING BEAM SIDE RAIL FROM THE TOP WITH 3/8" X 4-1/2" CARRIAGE BOLTS. USE 3/8" WASHERS, 3/8" LOCK NUTS AND BOLT CAPS ON THE BOTTOM OF THE SWING BEAM SIDE RAIL TO ATTACH THE SWING BEAM PLATE.



DETAIL A
SCALE 1 : 8

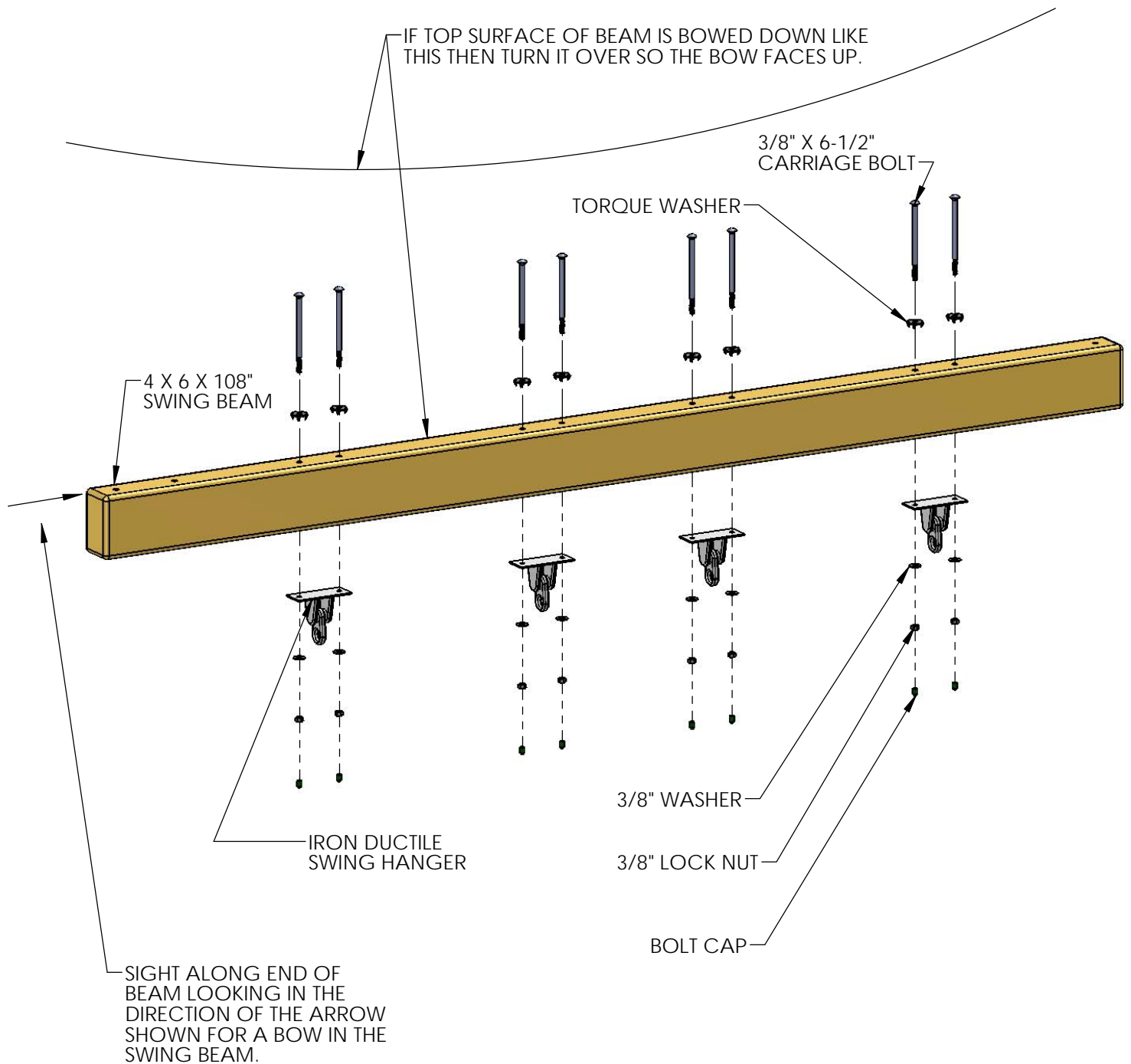


STEP 35: IRON DUCTILE SWING HANGERS.

1: LOCATE THE 4 X 6 X 108" SWING BEAM. SIGHT DOWN THE END OF THE BEAM TO SEE IF IT HAS A NATURAL "BOW" TO IT. IF A "BOW" EXISTS THEN PLACE THE BOW UP WITH THE SWING HANGERS ON THE BOTTOM.

2: PLACE FOUR SWING HANGERS ON THE BOTTOM OF THE SWING BEAM. LINE UP 3/8" X 6-1/2" CARRIAGE BOLTS WITH TORQUE WASHERS AND PLACE THEM IN EACH HOLE SHOWN BELOW. LINE UP THE SQUARE SHANK OF THE CARRIAGE BOLTS WITH THE SQUARE HOLE IN THE TORQUE WASHERS. USE A HAMMER TO HIT THE HEAD OF THE CARRIAGE BOLTS TO SET THE TORQUE WASHERS INTO THE TOP OF THE SWING BEAM.

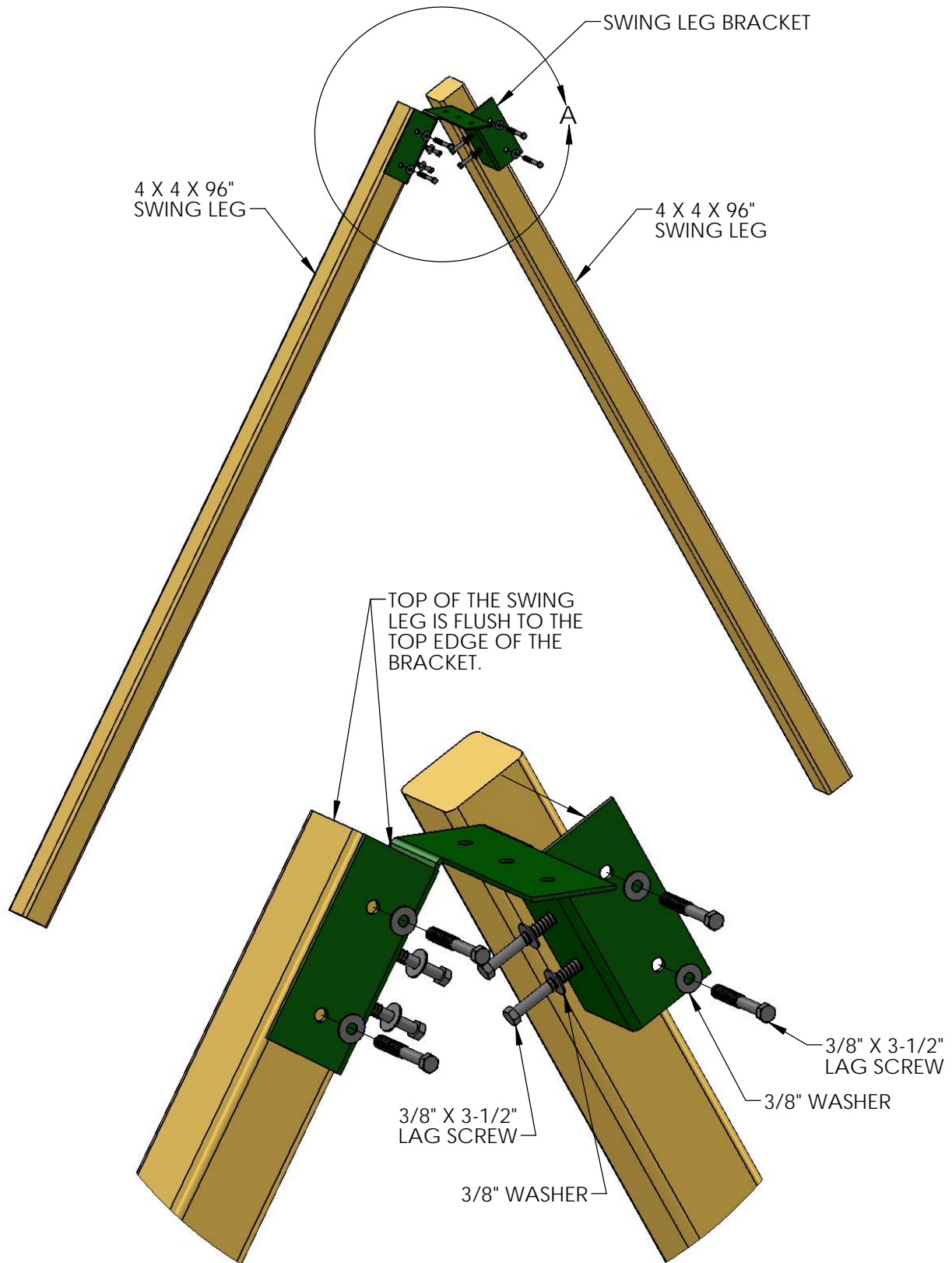
3: FASTEN EACH SWING HANGER FROM UNDERNEATH THE SWING BEAM WITH 3/8" WASHERS, 3/8" LOCK NUTS AND BOLT CAPS.



STEP 36: ATTACH SWING LEGS TO BRACKET

1: PLACE EACH SWING LEG INSIDE THE ANGLED PART OF THE SWING LEG BRACKET AS SHOWN BELOW. THE TOP OF THE SWING LEG SHOULD BE FLUSH TO THE TOP EDGE OF THE BRACKET AS SHOWN BELOW.

2: ATTACH EACH SWING LEG TO THE SWING LEG BRACKET WITH FOUR 3/8" X 3-1/2" LAG SCREWS AND 3/8" WASHERS.



DETAIL A
SCALE 1 : 5

STEP 37: REST SWING BEAM ON FORT

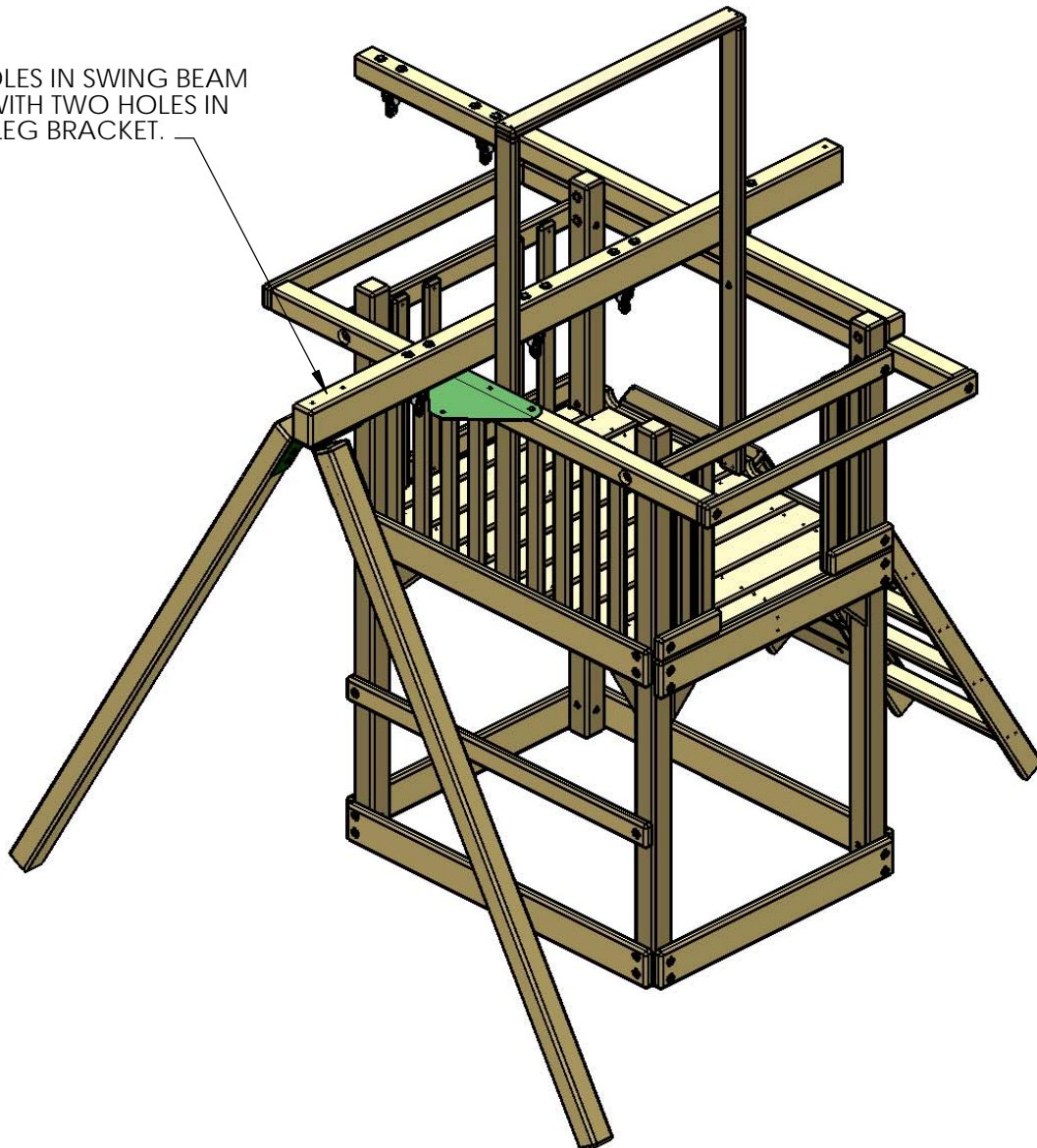
*AN EXTRA PERSON IS REQUIRED FOR THIS STEP.

1: REST THE SWING BEAM ON TOP OF THE SIDE RAILS OF THE FORT.

2: THE END OF THE SWING BEAM WITH TWO HOLES SHOULD OVERHANG THE LEFT SIDE OF THE FORT.

3: LINE UP THE HOLES IN THE SWING LEG BRACKET UNDER THE HOLES IN THE SWING BEAM.

TWO HOLES IN SWING BEAM
ALIGN WITH TWO HOLES IN
SWING LEG BRACKET.

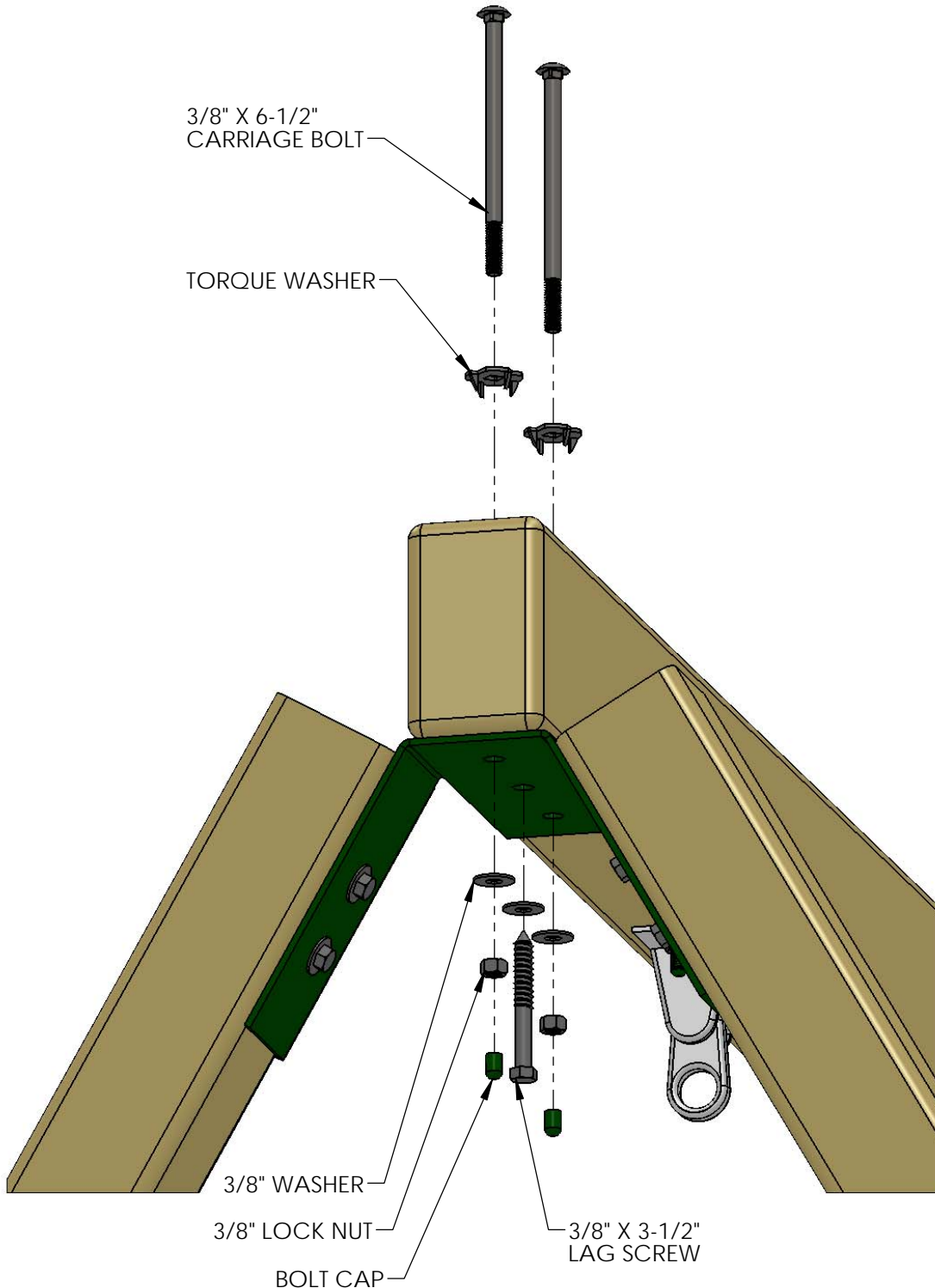


STEP 38: MOUNT SWING BEAM TO SWING BEAM LEGS

1: FASTEN THE SWING BEAM TO THE SWING LEG BRACKET USING 3/8" X 6-1/2" CARRIAGE BOLTS WITH TORQUE WASHERS ON TOP OF THE SWING BEAM AND 3/8" WASHERS WITH 3/8" LOCK NUTS ON THE BOTTOM.

2: FASTEN A 3/8" X 3-1/2" LAG SCREW AND 3/8" WASHER INTO THE MIDDLE HOLE OF THE SWING LEG BRACKET.

3: PLACE A BOLT CAP OVER ANY EXPOSED THREADS.



STEP 39: MOUNT SWING BEAM TO FORT

* AN EXTRA PERSON IS NEEDED FOR THIS STEP.

1: ONE PERSON MUST LIFT THE SWING LEGS AND WALK AWAY FROM THE FORT WHILE A PERSON ON THE DECK LIFTS THE OTHER END OF THE SWING BEAM.

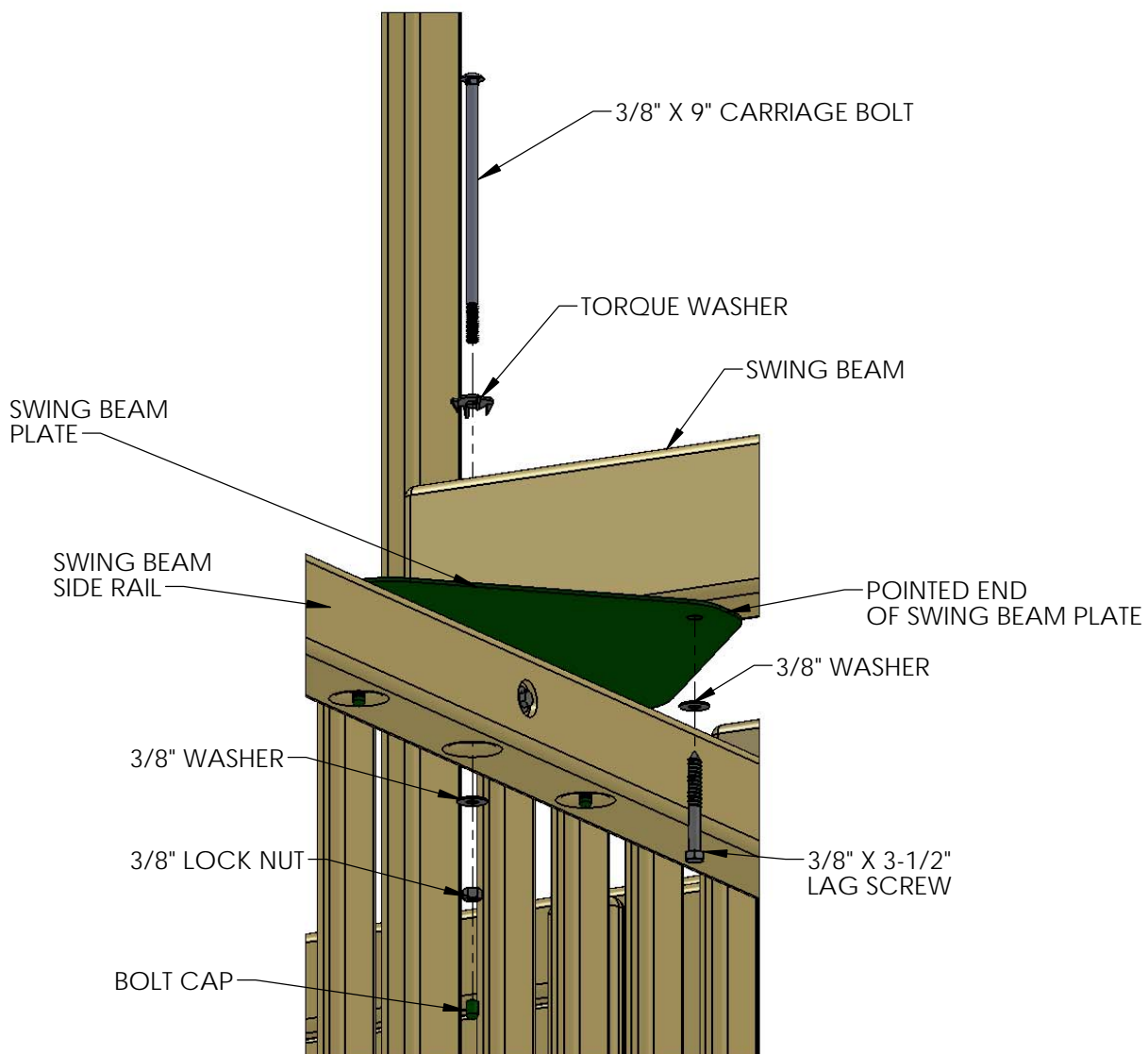
2: ALIGN THE END HOLE OF THE SWING BEAM NEAREST THE FORT WITH THE MIDDLE HOLE IN THE SWING BEAM PLATE.

3: INSERT A 3/8" X 9" CARRIAGE BOLT WITH TORQUE WASHER INTO THE HOLE IN THE SWING BEAM. THE BOLT WILL GO THROUGH THE SWING BEAM, THROUGH THE SWING BEAM PLATE AND THEN THROUGH THE SWING BEAM SIDE RAIL.

4: ALIGN THE SQUARE SHANK OF THE BOLT WITH THE SQUARE HOLE IN THE TORQUE WASHER. SET THE TORQUE WASHER WITH A HAMMER BY STRIKING THE CARRIAGE BOLT.

5: FASTEN THE SWING BEAM TO THE FORT BY PLACING A 3/8" WASHER AND 3/8" LOCK NUT ONTO THE END OF THE 9" CARRIAGE BOLT. PLACE A BOLT CAP OVER ANY EXPOSED THREADS.

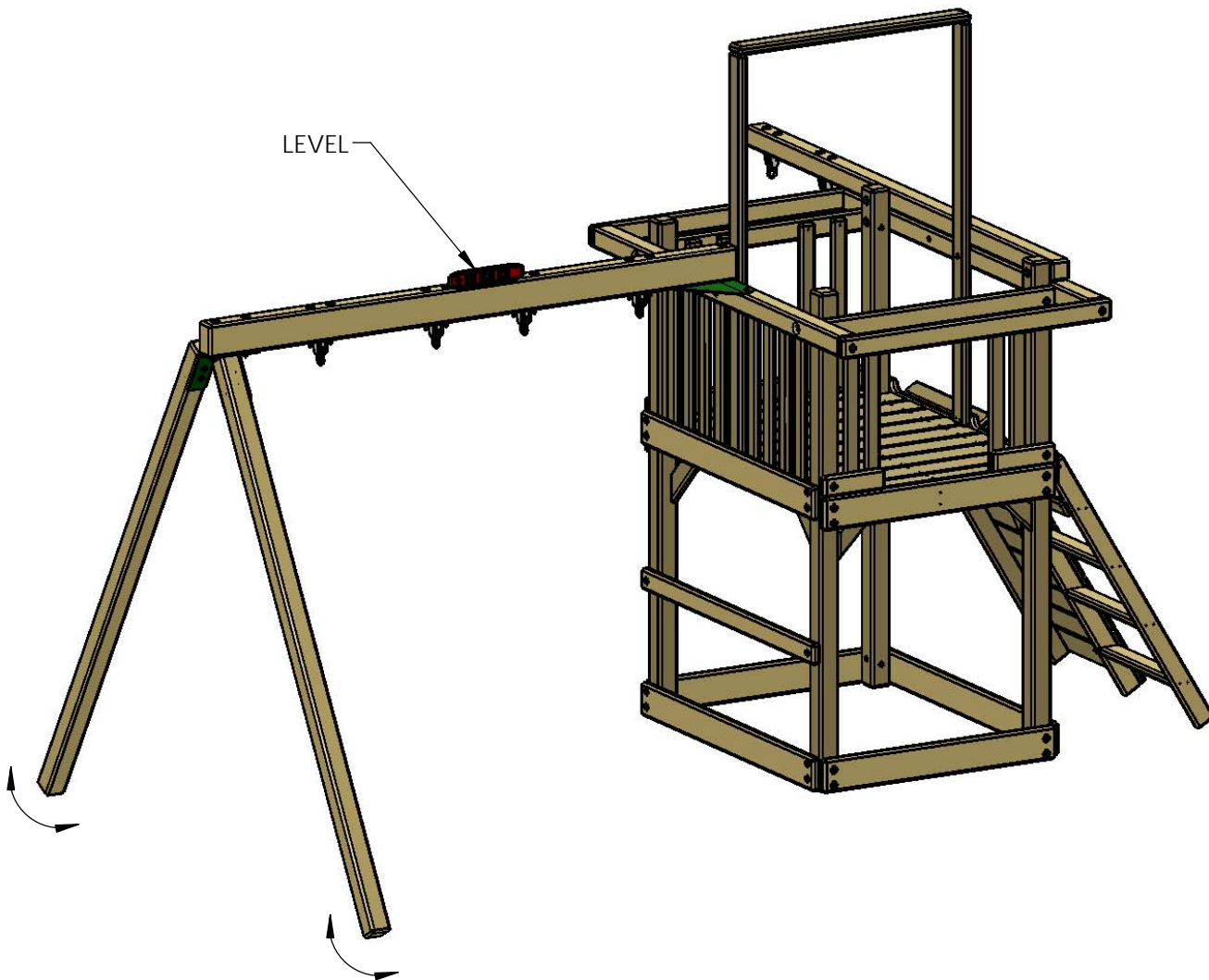
6: MAKE SURE THE SWING BEAM IS SQUARE TO THE SWING BEAM SIDE RAIL. ATTACH THE POINTED END OF THE SWING BEAM PLATE TO THE SWING BEAM WITH A 3/8" X 3-1/2" LAG SCREW AND 3/8" WASHER.



STEP 40: LEVEL SWING BEAM

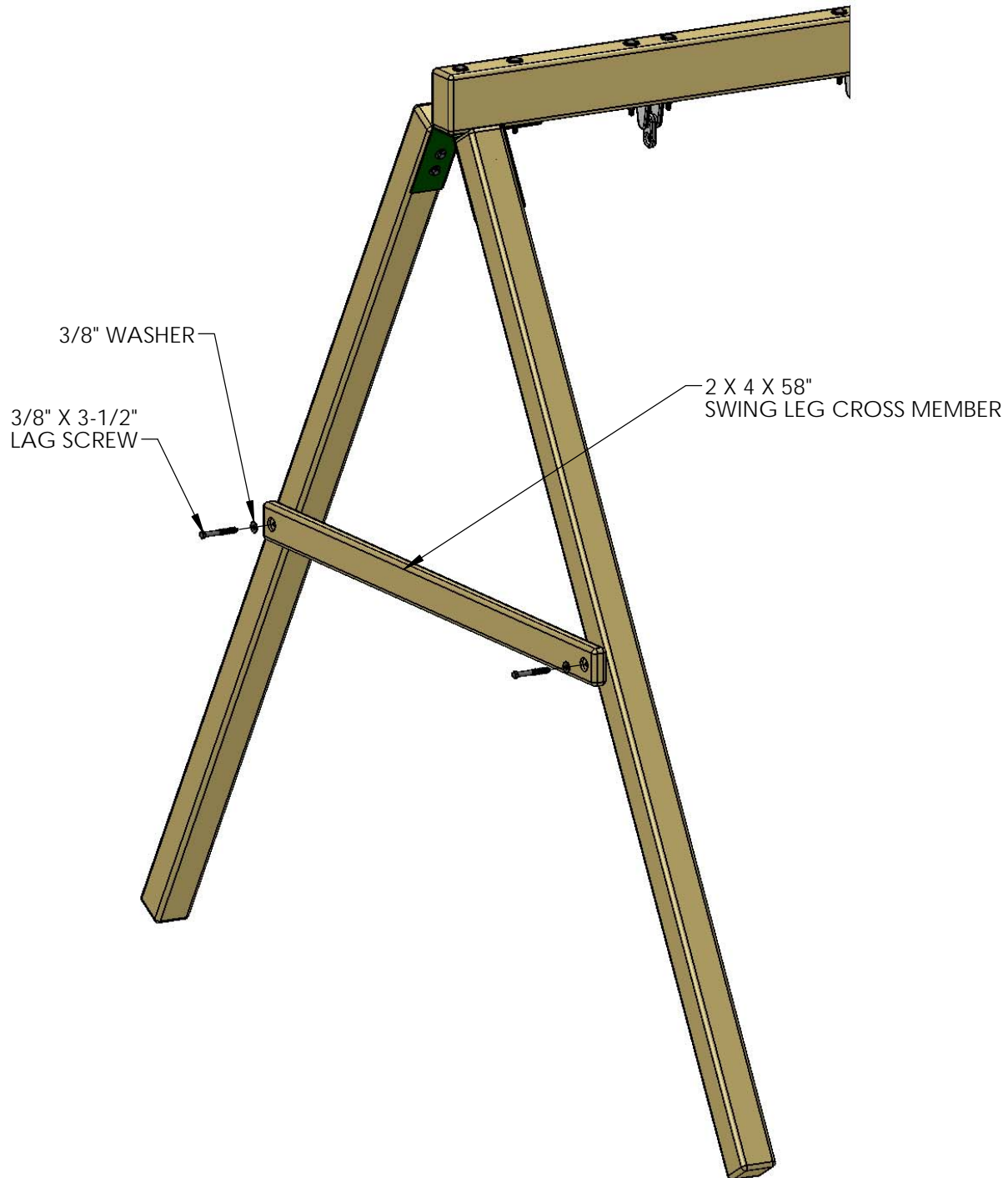
1: PLACE A LEVEL ON TOP OF THE SWING BEAM AND ADJUST THE SWING LEGS IN OR OUT AS NEEDED TO MAKE THE SWING BEAM LEVEL.

NOTE: THE LEGS ARE DESIGNED TO ACCOMODATE SWING BEAMS ON UNEVEN GROUND. THIS MEANS THAT THE LEGS ARE LONGER THAN REQUIRED AND WILL ACCOMODATE GROUND WHICH SLOPES DOWN GOING AWAY FROM THE FORT.



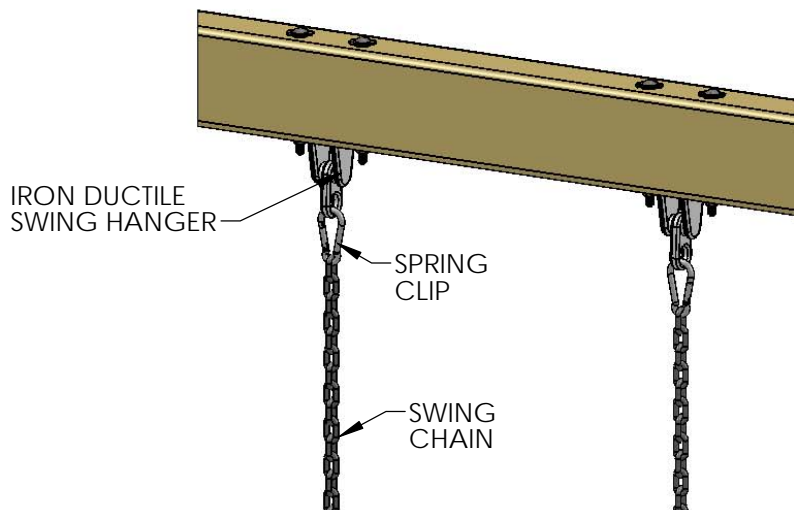
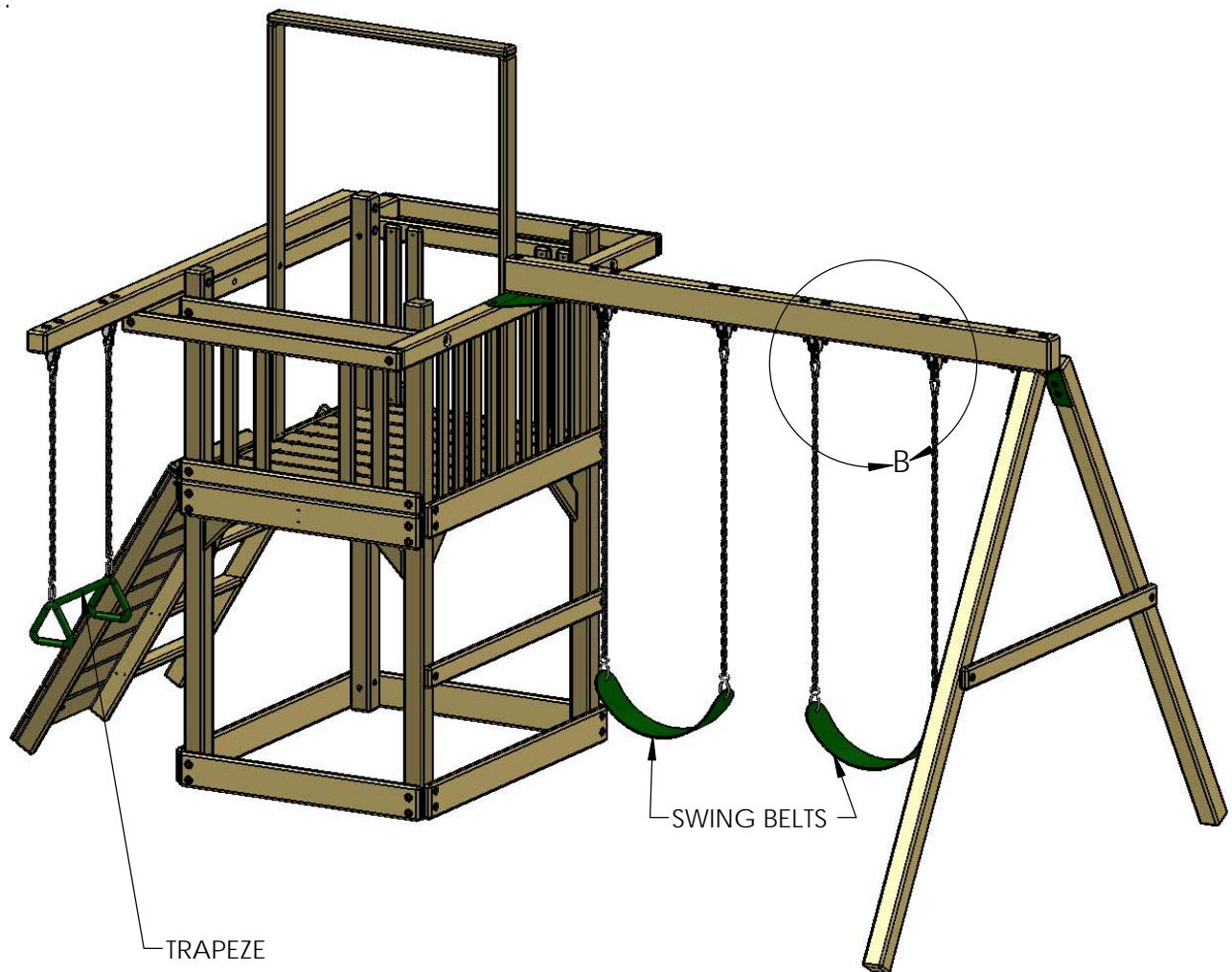
STEP 41: SWING LEG CROSS MEMBER

- 1: POSITION THE 2 X 4 X 58" SWING LEG CROSS MEMBER AGAINST THE SWING LEGS.
- 2: LEVEL THE CROSS MEMBER AND MARK THE LOCATION OF THE HOLES ONTO THE LEGS.
- 3: USE 3/8" X 3-1/2" LAG SCREWS AND 3/8" WASHERS TO ATTACH THE CROSS MEMBER TO THE LEGS.



STEP 42: HANGING SWINGS AND TRAPEZE

- 1: ATTACH ONE SPRING CLIP ONTO EACH LOOP OF THE IRON DUCTILE SWING HANGERS.
- 2: ATTACH ONE CHAIN FROM EACH SWING ONTO ONE SPRING CLIP.
- 3: ADJUST HEIGHT AS NEEDED BY CLIPPING CHAIN LINKS UP OR DOWN ON THE SPRING CLIP.



DETAIL B
SCALE 1 : 10

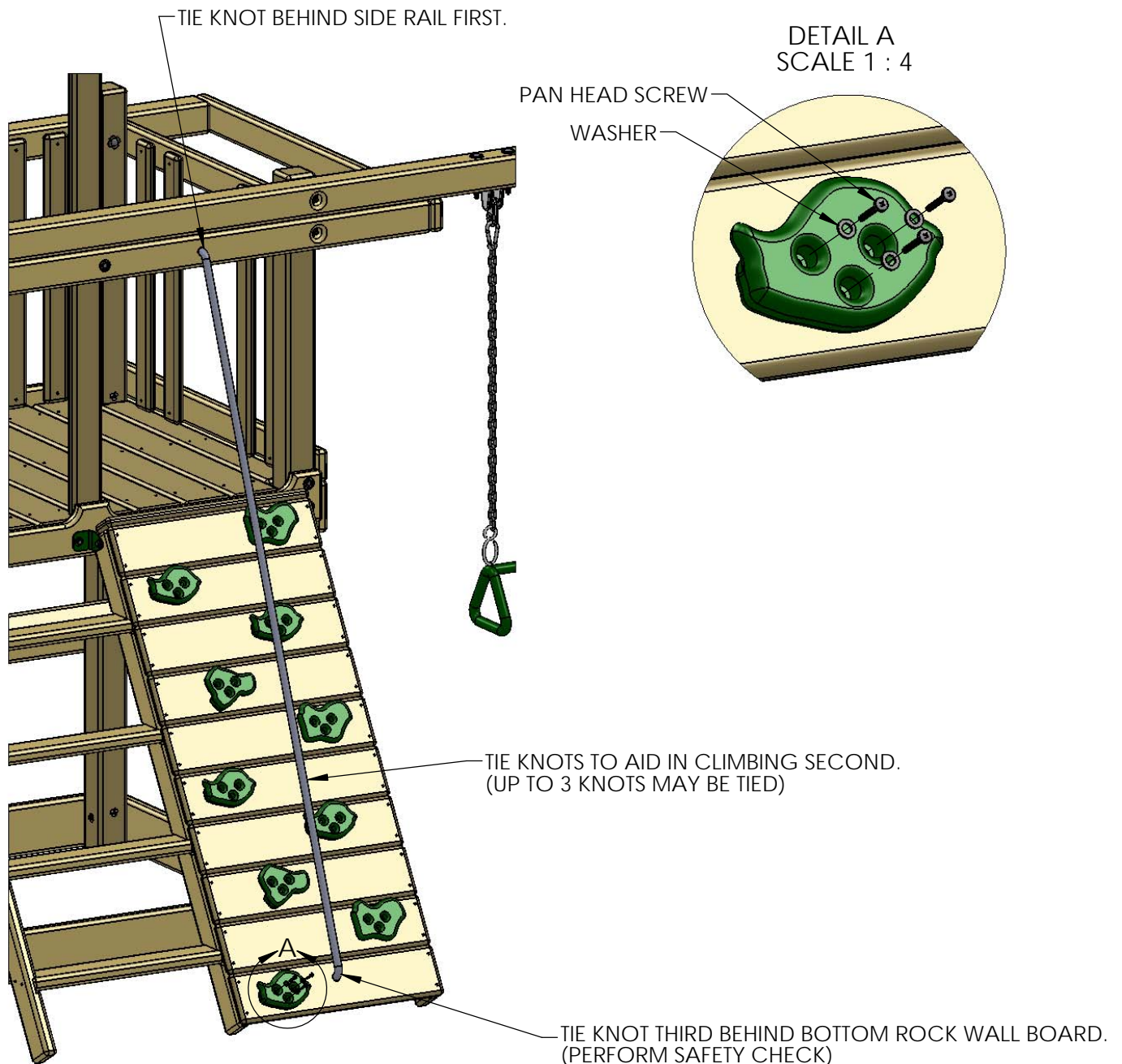
STEP 43: ROCK WALL - ROPE AND ROCKS

1: PLACE ROCKS ON THE ROCK WALL IN A STAGGERED PATTERN AS SHOWN.

2: USE THE PAN HEAD SCREWS AND WASHERS INCLUDED WITH THE ROCK WALL ROCKS TO ATTACH THEM TO THE ROCK WALL BOARDS.

3: SLIP THE ROCK WALL ROPE THROUGH THE HOLE IN THE SIDE RAIL. TIE A KNOT ON THE INSIDE OF THE SIDE RAIL. YOU MAY TIE UP TO 3 KNOTS TO AID IN CLIMBING IF YOU WISH. SLIP THE BOTTOM END OF THE ROCK WALL ROPE THROUGH THE HOLE IN THE BOTTOM ROCK WALL BOARD. TIE A KNOT ON THE BACK SIDE OF THE ROCK WALL BOARD.

SAFETY CHECK - GO TO THE FRONT OF THE ROCK WALL AND GRAB THE ROPE IN YOUR HAND. ATTEMPT TO TWIST THE ROPE AROUND YOUR HAND. IF THE ROPE WRAPS AROUND YOUR HAND IT IS TOO LOOSE. UN-TIE THE KNOT UNDER THE BOTTOM ROCK WALL BOARD AND RETIE IT UNTIL IT NO LONGER WRAPS AROUND YOUR HAND.

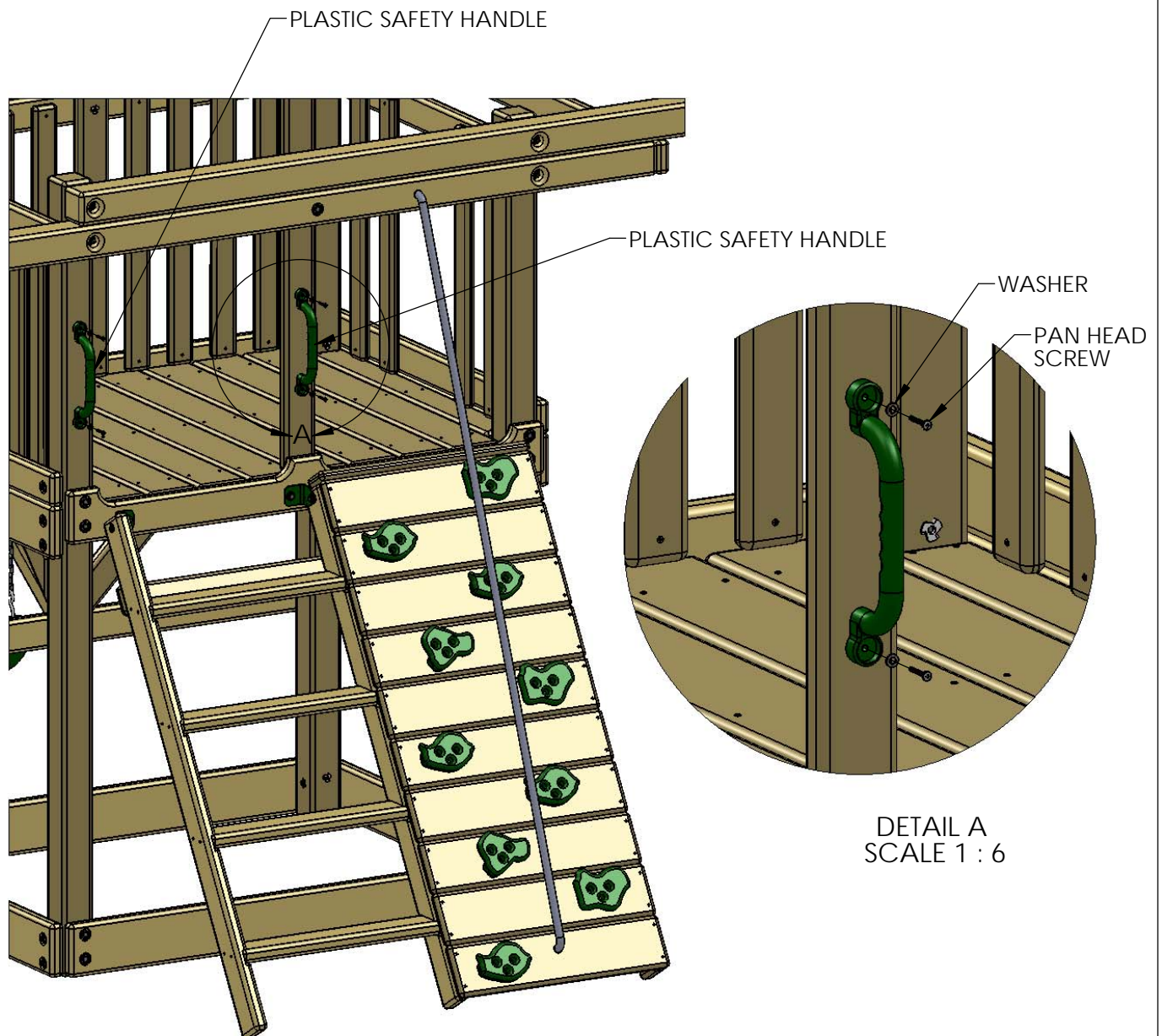


STEP 44: PLASTIC SAFETY HANDLES

1: LOCATE THE BAG WITH TWO SAFETY HANDLES AND HARDWARE INSIDE.

2: PLACE THE SAFETY HANDLES ON THE CORNER POST AND CENTER TARP SUPPORT ABOVE THE LADDER. ADJUST SAFETY HANDLES UP OR DOWN TO SUIT THE NEEDS OF YOUR CHILD.

3: ATTACH EACH SAFETY HANDLE WITH THE PAN HEAD SCREWS AND WASHERS PROVIDED WITH THE SAFETY HANDLES.



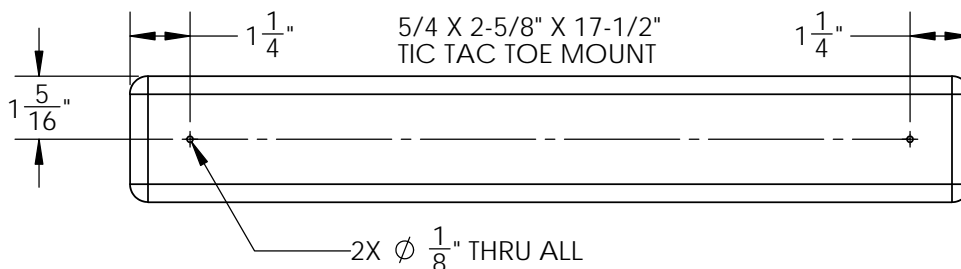
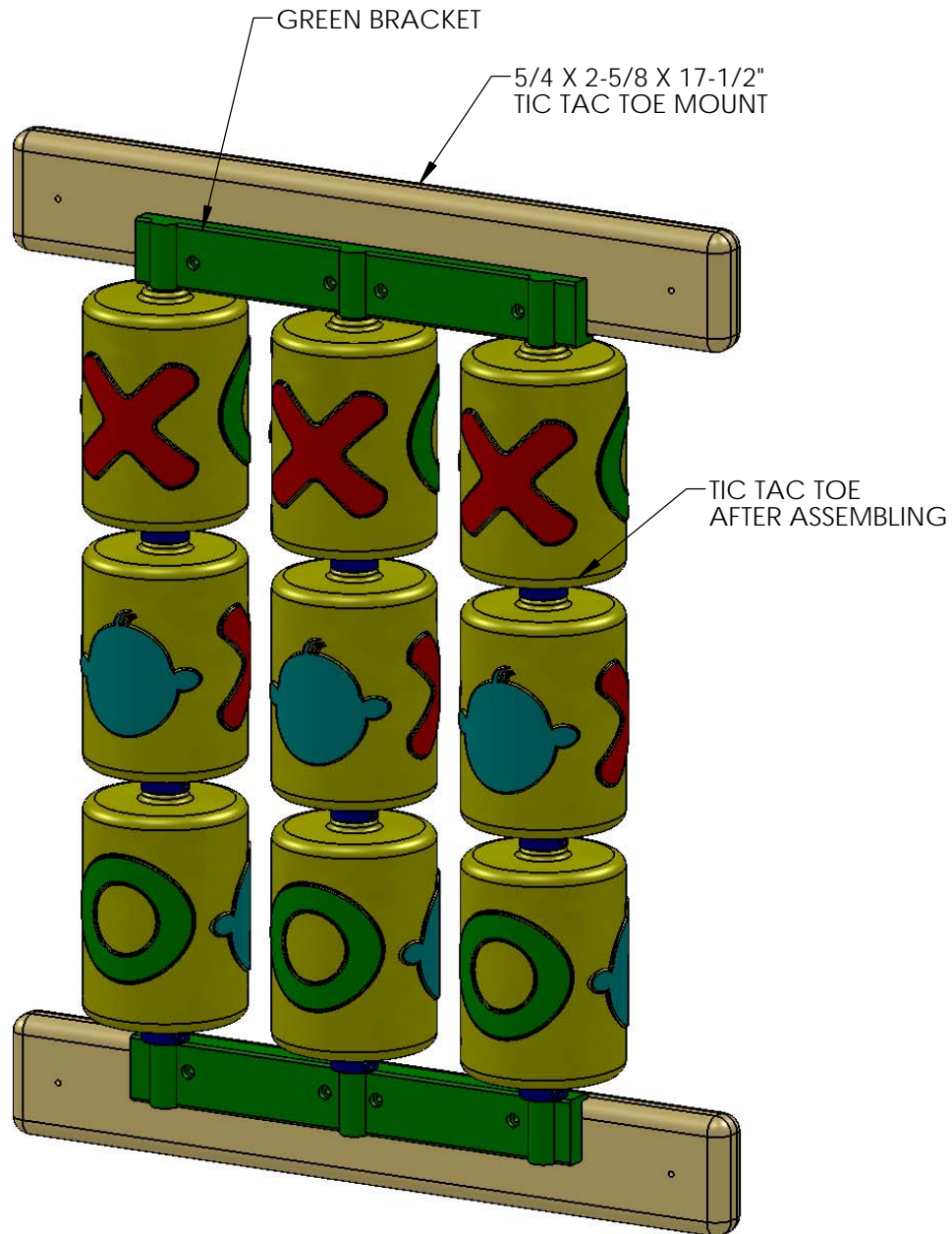
STEP 45: TIC TAC TOE

1: LOCATE THE TIC TAC TOE BOX.

2: FOLLOW THE INSTRUCTIONS IN THE BOX TO ASSEMBLE THE TIC TAC TOE OMITTING STEPS 6 AND 7.

3: LOCATE TWO 5/4 X 2-5/8" X 17-1/2" TIC TAC TOE MOUNTS. DRILL 1/8" HOLES IN THE ENDS OF THE MOUNTS AS SHOWN AT THE BOTTOM OF THIS PAGE.

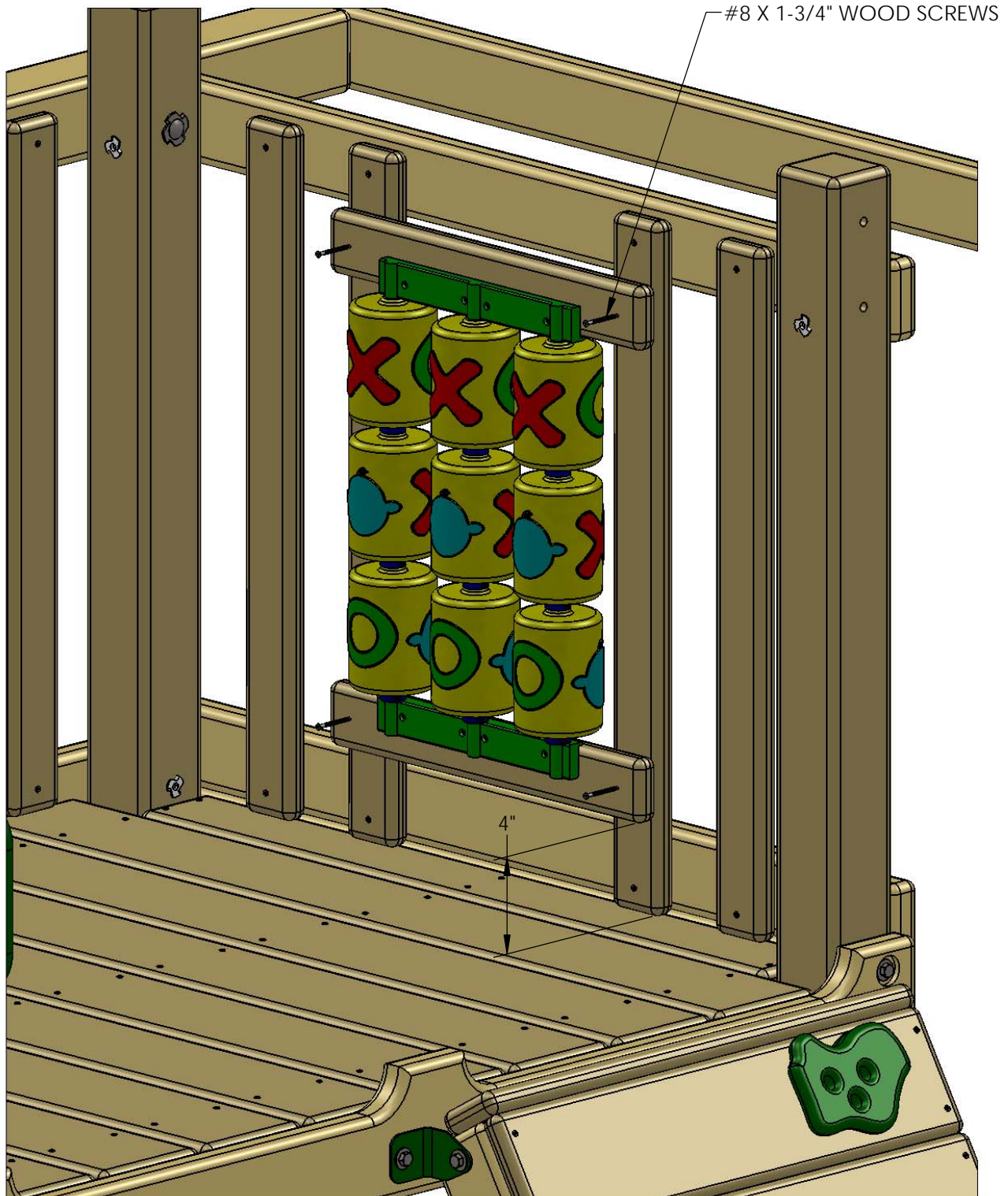
4: USE THE SCREWS INCLUDED WITH THE TIC TAC TOE TO ATTACH THE GREEN BRACKETS TO THE TIC TAC TOE MOUNTS. EACH GREEN BRACKET SHOULD BE CENTERED OVER THE TIC TAC TOE MOUNT.



STEP 46: ATTACHING TIC TAC TOE

1: PLACE THE TIC TAC TOE AGAINST THE PANEL SLATS AT THE REAR OF THE PLAY SET ON THE INSIDE. THE LOWER TIC TAC TOE MOUNT SHOULD BE APPROXIMATELY 4" OFF THE DECK.

2: ATTACH THE TIC TAC TOE MOUNTS TO THE PANEL SLATS WITH #8 X 1-3/4" WOOD SCREWS.



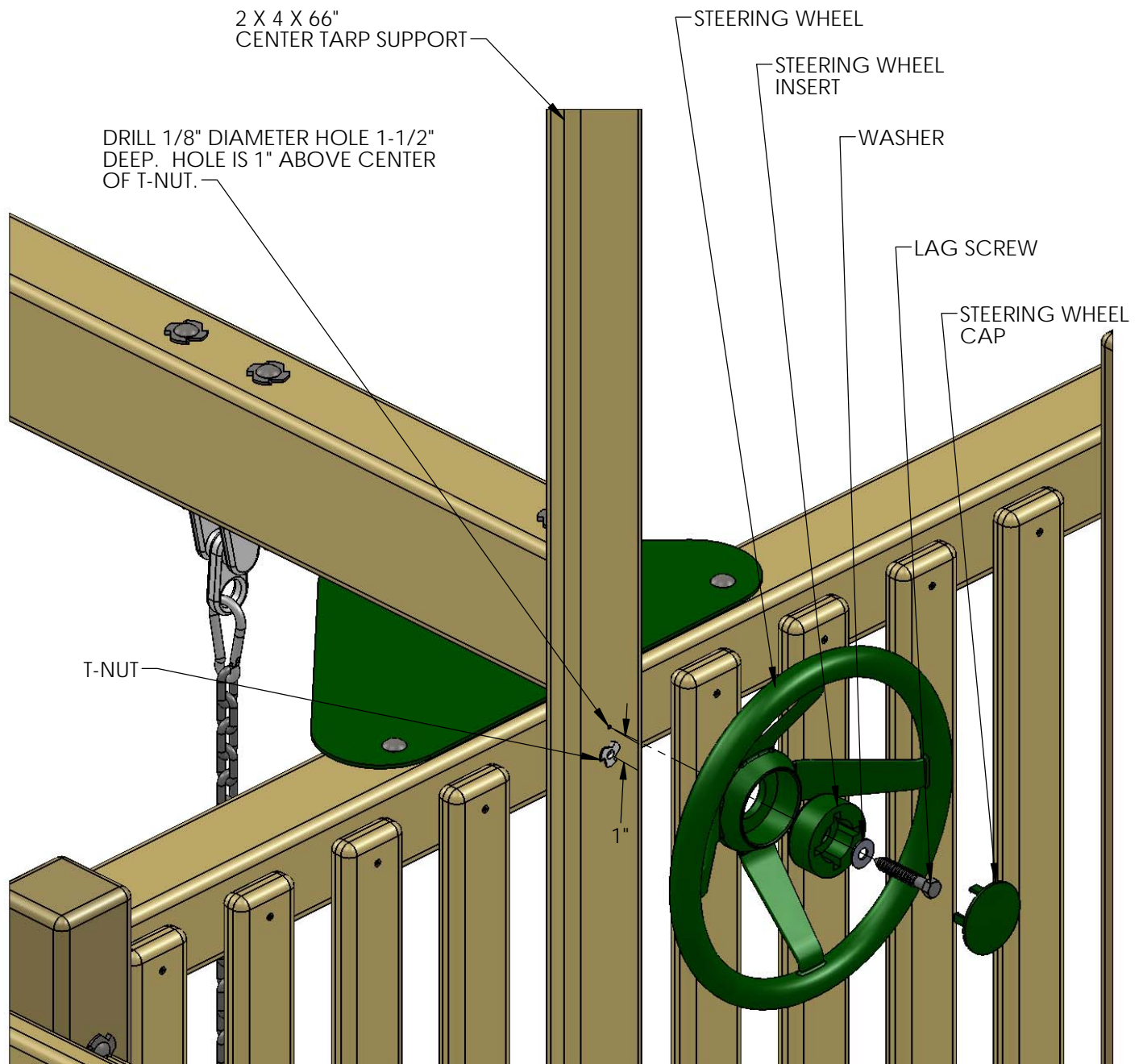
STEP 47: STEERING WHEEL

1: DRILL A 1/8" HOLE 1-1/2" DEEP INTO THE 2 X 4 X 66" CENTER TARP SUPPORT. THE 1/8" HOLE WILL BE LOCATED 1" ABOVE THE CENTER OF THE T-NUT IN THE CENTER TARP SUPPORT.

2: PLACE THE STEERING WHEEL INSERT INSIDE THE STEERING WHEEL.

3: PLACE THE LAG SCREW AND WASHER THROUGH THE HOLE IN THE STEERING WHEEL INSERT AND INTO THE 1/8" HOLE IN THE CENTER TARP SUPPORT. TIGHTEN THE LAG SCREW BUT NOT SO TIGHT THAT THE STEERING WHEEL WILL NOT TURN.

4: SNAP THE STEERING WHEEL CAP ONTO THE STEERING WHEEL INSERT.



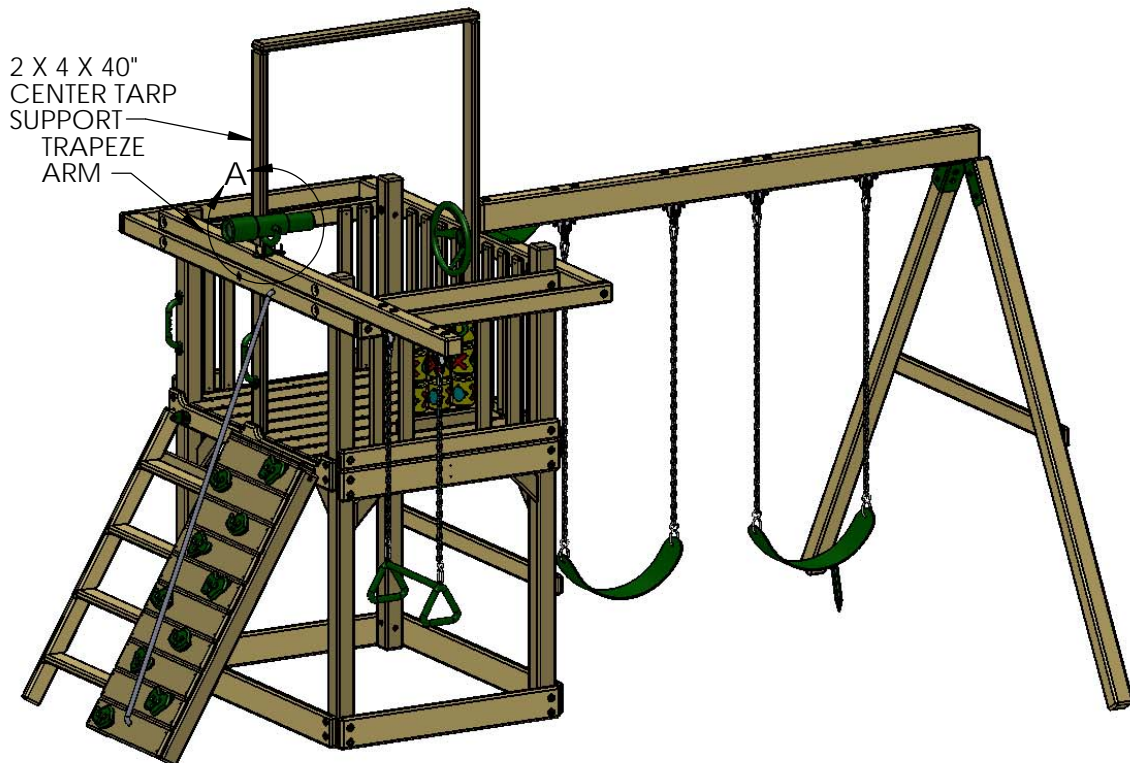
STEP 48: TELESCOPE

1: PLACE THE TELESCOPE BASE CLOSE TO THE 2 X 4 X 40" CENTER TARP SUPPORT ON TOP OF THE TRAPEZE ARM. DO NOT PLACE THE TELESCOPE SO CLOSE TO THE CENTER TARP SUPPORT THAT IT WILL NOT TURN ONCE INSTALLED.

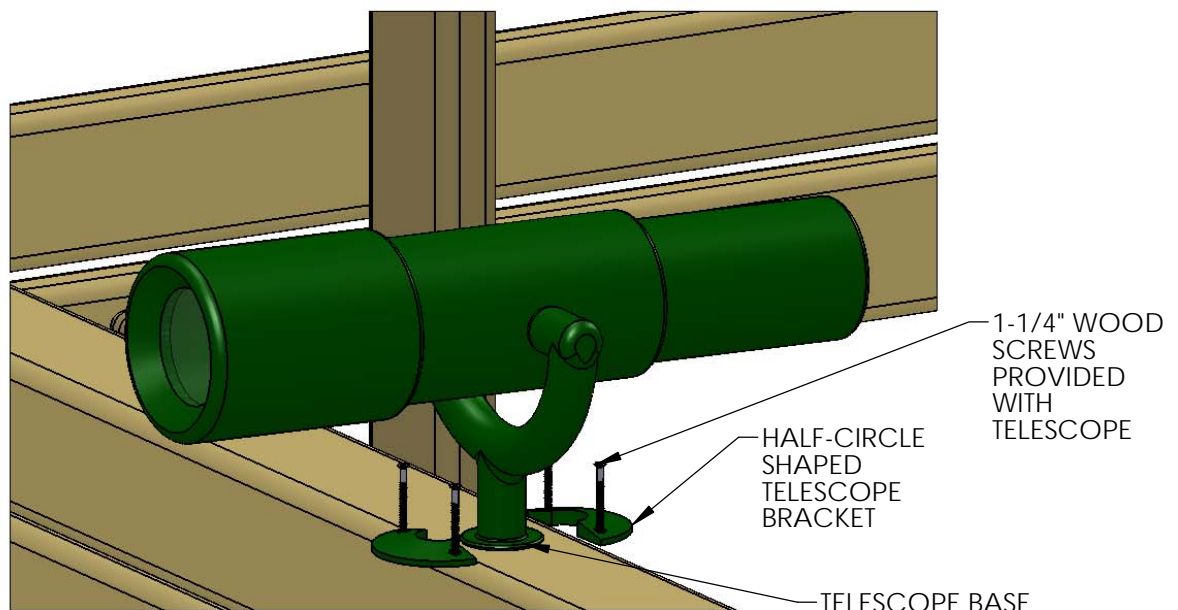
2: USE THE 1-1/4" WOOD SCREWS PROVIDED WITH THE TELESCOPE TO FASTEN ONE OF THE HALF-CIRCLE SHAPED TELESCOPE BRACKETS ON TOP OF THE SIDE RAIL.

3: PLACE THE TELESCOPE STAND AND TELESCOPE INTO THE SLOT OF THE TELESCOPE BRACKET.

4: FASTEN THE REMAINING HALF-CIRCLE SHAPED TELESCOPE BRACKET TO THE OPPOSITE SIDE THAT THE FIRST TELESCOPE BRACKET WAS INSTALLED. USE THE 1-1/4" WOOD SCREWS PROVIDED WITH THE TELESCOPE TO ATTACH THE TELESCOPE BRACKET TO THE TRAPEZE ARM.



DETAIL A
SCALE 1 : 4



STEP 49: TARP

1: LAY THE TARP OVER THE TOP OF THE CENTER TARP BOARD AND MAKE SURE THE HEM SIDE FACES DOWN.

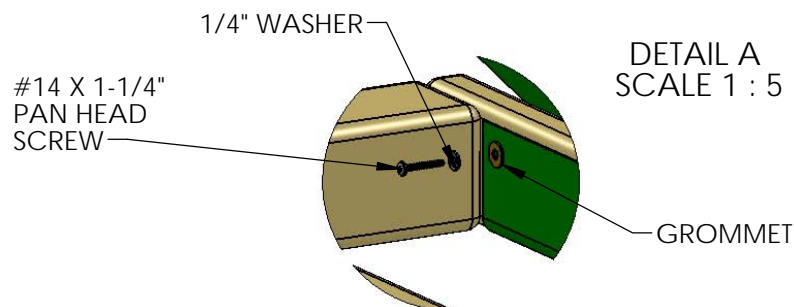
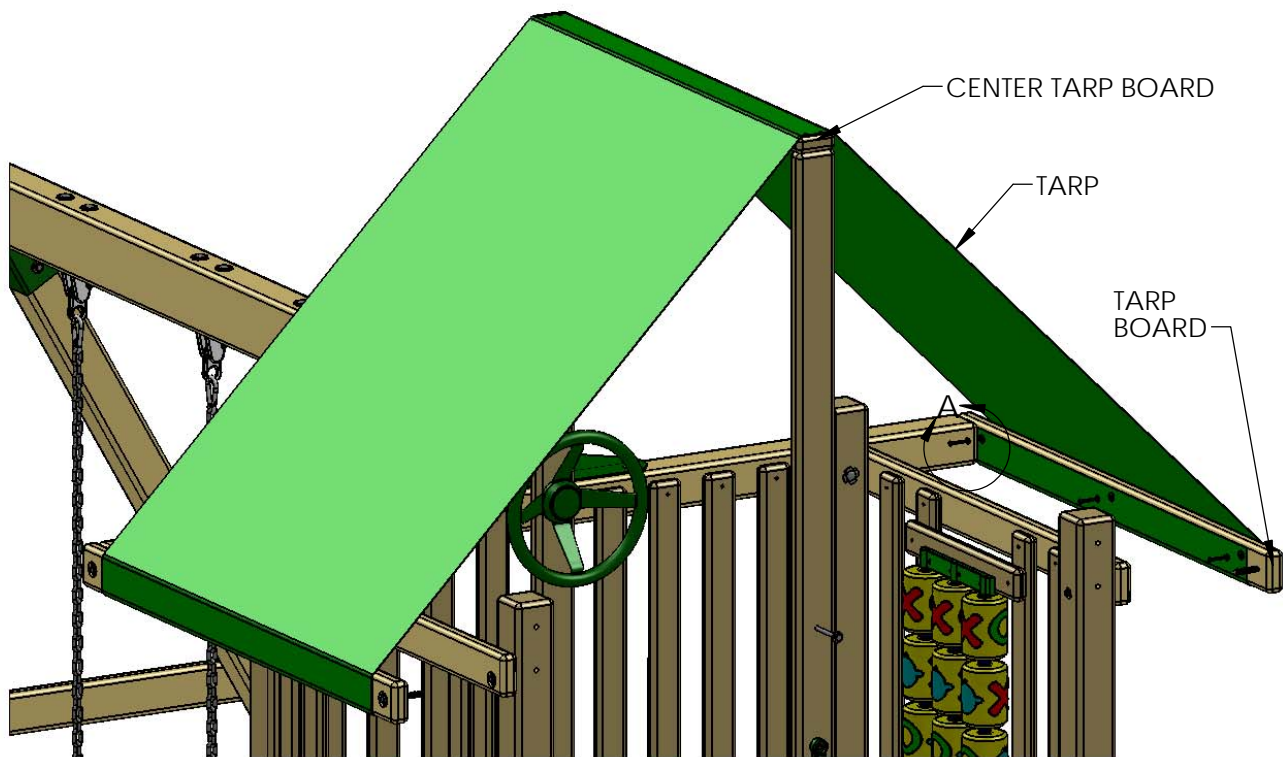
2: WRAP EACH END OF THE TARP AROUND THE END OF THE TARP BOARDS INTO THE INSIDE. IT MAY HELP TO HAVE A HELPER ON ONE SIDE WHILE YOU DO THIS SO THAT YOU CAN MAKE THE ENDS OF THE TARP OVERLAP THE TARP BOARD EVENLY ON EACH END.

3: ONCE BOTH ENDS ARE WRAPPED EVENLY, MARK THE LOCATIONS OF THE GROMMETS ONTO THE TARP BOARD ON **ONE END ONLY**. LET THE TARP END HANG DOWN AND DRILL 1/8" HOLES AT THE MARKS 1" DEEP.

4: FASTEN THE END OF THE TARP TO THE TARP BOARD USING THE HOLES YOU DRILLED WITH #14 X 1-1/4" PAN HEAD SCREWS AND 1/4" WASHERS.

5: GO TO THE OTHER SIDE OF THE TARP AND WRAP THE END AROUND THE TARP BOARD KEEPING THE TARP TIGHT. MAKE MARKS THROUGH THE GROMMETS ONTO THE TARP BOARD. LET THE TARP END HANG DOWN AND DRILL 1/8" HOLES AT THE MARKS 1" DEEP.

6: FASTEN THE END OF THE TARP TO THE TARP BOARD USING THE HOLES YOU DRILLED WITH #14 X 1-1/4" PAN HEAD SCREWS AND 1/4" WASHERS.



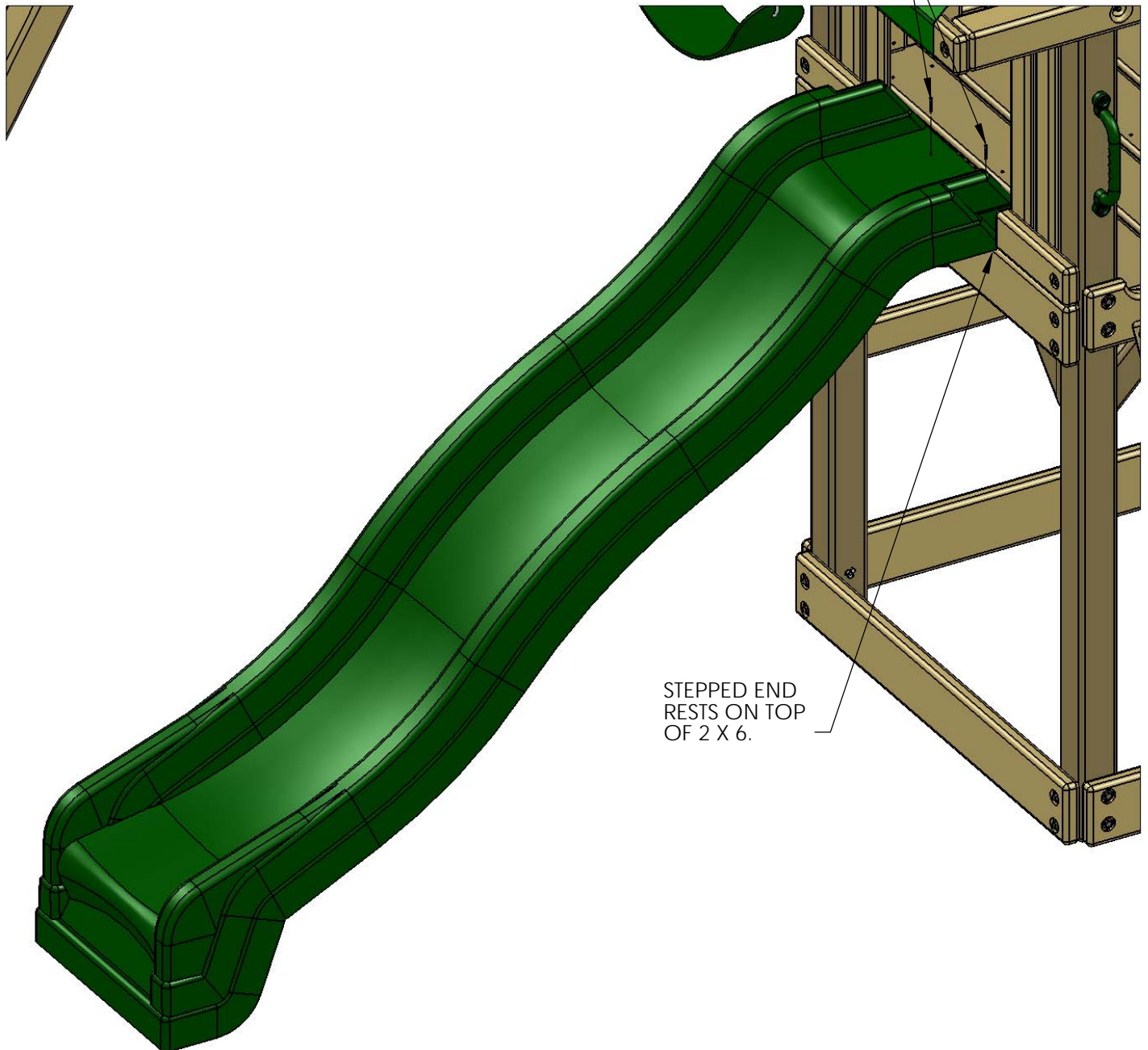
STEP 50: SLIDE INSTALLATION

1: PLACE THE SLIDE IN THE OPENING AT THE FRONT OF THE PLAY SET. THE STEPPED END WILL REST ON TOP OF THE 2 X 6.

2: ATTACH THE SLIDE TO THE DECK BOARDS WITH TWO #8 X 1-1/4" WOOD SCREWS.
****DO NOT OVERTIGHTEN.****

****WARNING - ONCE SLIDE IS INSTALLED DO NOT LIFT END OF SLIDE OR IT MAY CRACK AT THE SCREW HOLES. DO NOT BUMP SLIDE WITH MOWER OR OTHER OBJECTS AS THIS MAY CRACK THE SLIDE AT THE SCREW HOLES.**

#8 X 1-1/4"
WOOD SCREWS
**** DO NOT OVER TIGHTEN ****

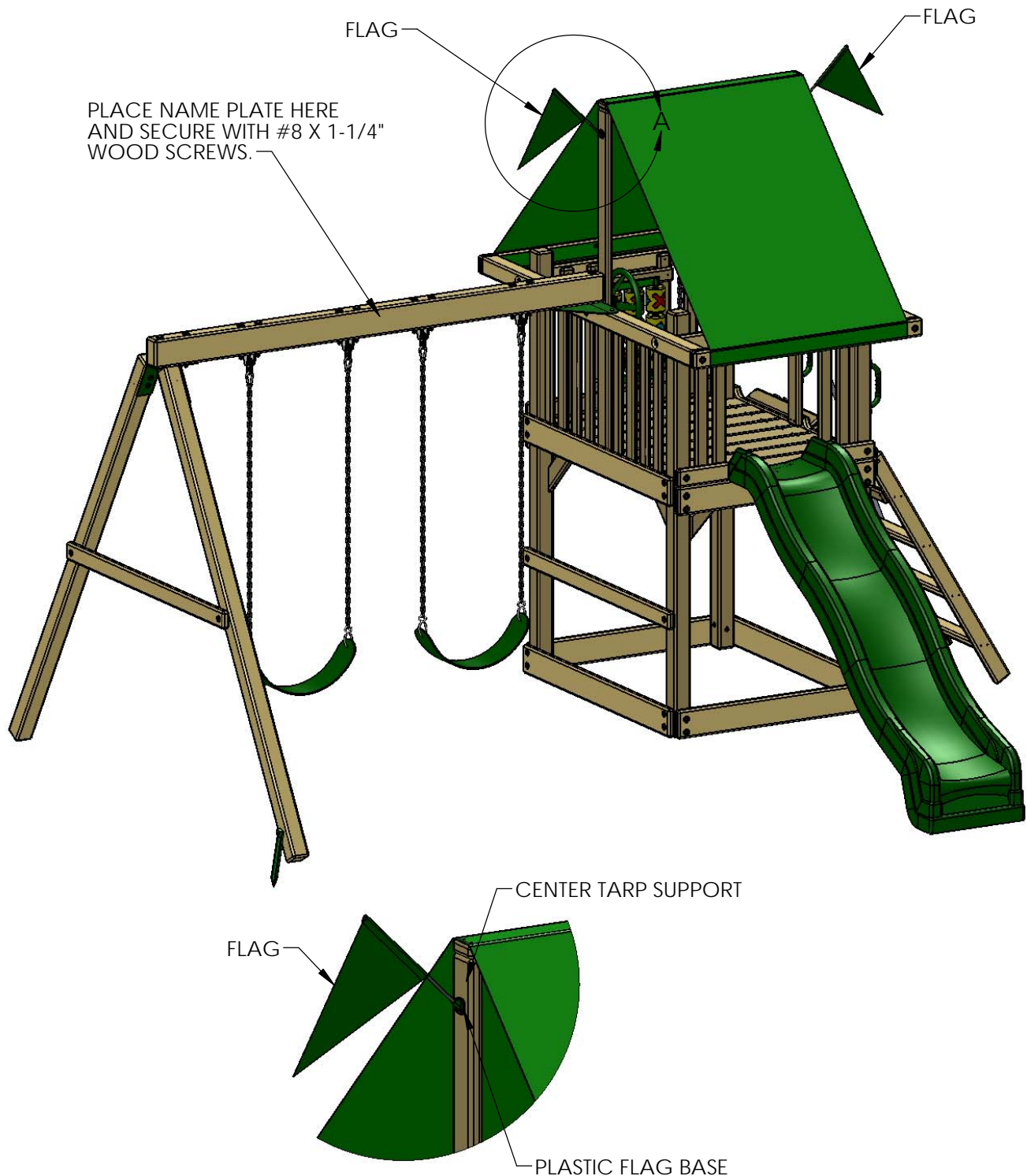


STEP 51: FLAG KIT AND NAME PLATE

1: ATTACH THE PLASTIC FLAG BASE ONTO THE OUTSIDE OF THE CENTER TARP SUPPORTS WITH THE SCREWS PROVIDED IN THE FLAG KIT BAG.

2: PLACE THE MAST OF EACH FLAG INTO THE HOLE IN THE PLASTIC FLAG BASE.

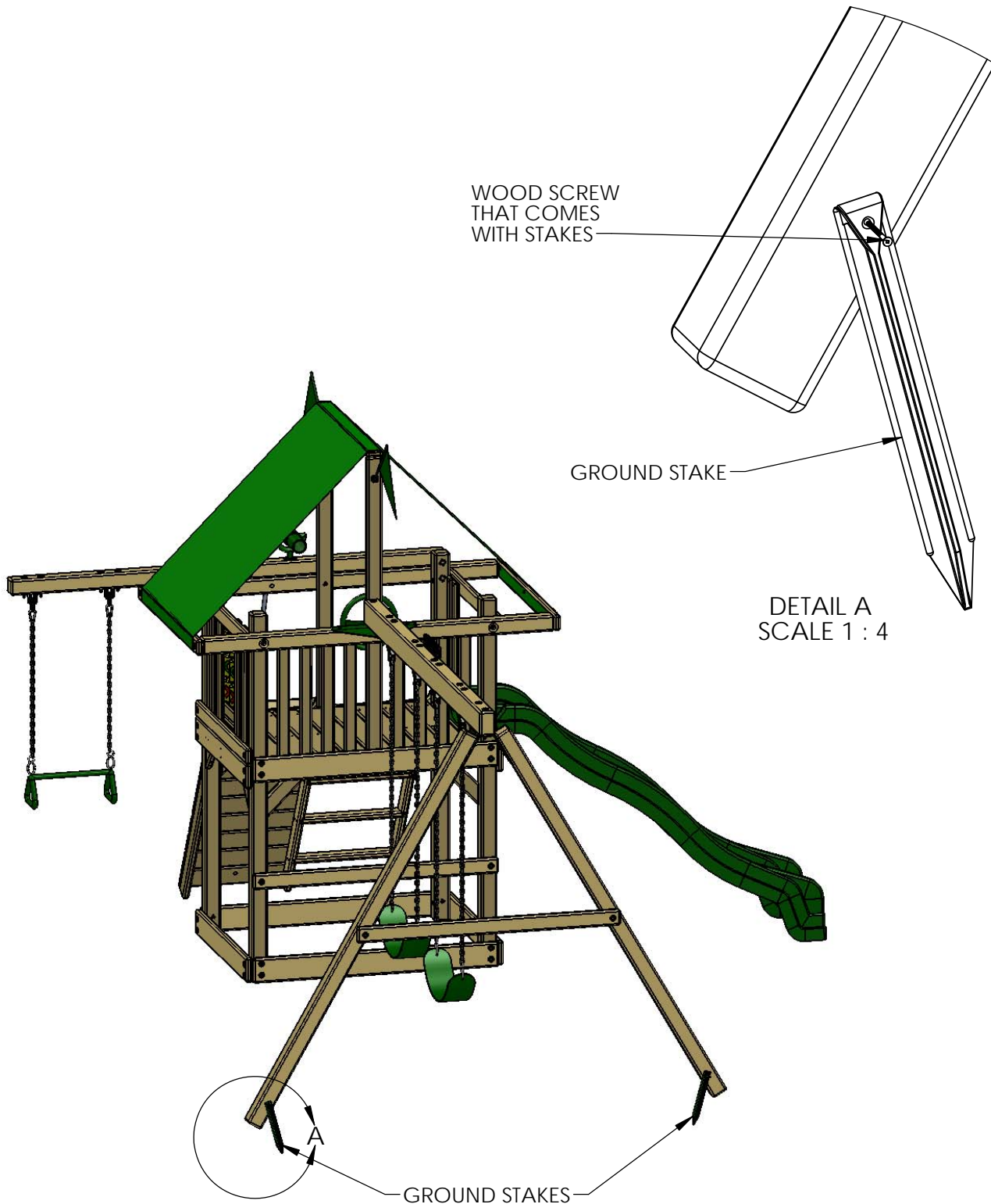
3: ATTACH THE ALUMINUM NAME PLATE CENTERED ON THE FRONT OF THE SWING BEAM. USE A 1/8" DRILL BIT TO ENLARGE THE HOLES IN THE NAME PLATE BEFORE ATTACHING IT. THIS WILL MAKE IT EASIER TO ATTACH THE NAME PLATE. ATTACH NAME PLATE WITH #8 X 1-1/4" WOOD SCREWS



DETAIL A
SCALE 1 : 14

STEP 52: GROUND STAKES


- 1: PLACE THE GROUND STAKES ON THE OUTSIDE OF THE SWING LEGS AS SHOWN BELOW.
- 2: HAMMER EACH GROUND STAKE IN AT AN ANGLE SIMILAR TO WHAT IS SHOWN. LEAVE THE TOP PORTION OF THE GROUND STAKE ABOVE THE GROUND FAR ENOUGH SO THAT YOU CAN STILL GET THE SCREW INTO THE HOLE AT THE TOP OF THE STAKE.
- 3: SECURE EACH STAKE TO THE SWING LEG WITH THE SCREW PROVIDED WITH THE STAKES.



WARRANTY REGISTRATION

- Wildwood -

PlayNation manufactures the finest quality products that are designed for outstanding strength and durability. We back our products with an unparalleled warranty. In the unlikely event that you will need to contact us about covered repairs, we must have a valid Warranty Registration on file.

3 EASY WAYS TO REGISTER	
OPTION 1	Fax this completed form to: (800) 880-3300 OR Mail this completed form to: PlayNation Playsets 190 Etowah Industrial Court Canton, GA 30114
OPTION 2	Complete the online registration form at: http://www.playnation.com/register
OPTION 3	Scan this QR Code with your smart phone to complete the form using your phone 

Where did you buy this product?:

 Date of Purchase Store Store City Store State

Your registration information:

Name: _____ Email: _____

Address: _____
Street City State Zip

Please select your age? 18-30 41-50
 31-40 51+

How old are your children? 2-3 6-7
 4-5 8+

How would you rate the quality of this product?
 ★★★★★ Excellent
 ★★★★ Above Average
 ★★★ Average
 ★★ Below Average
 ★ Poor

Would you recommend this product to friends & family? Yes No

Comments: _____

