

Tahoe and Tahoe Space Saver Wood Roof Add-On ASSEMBLY MANUAL

Tahoe Space Saver Pictured Above

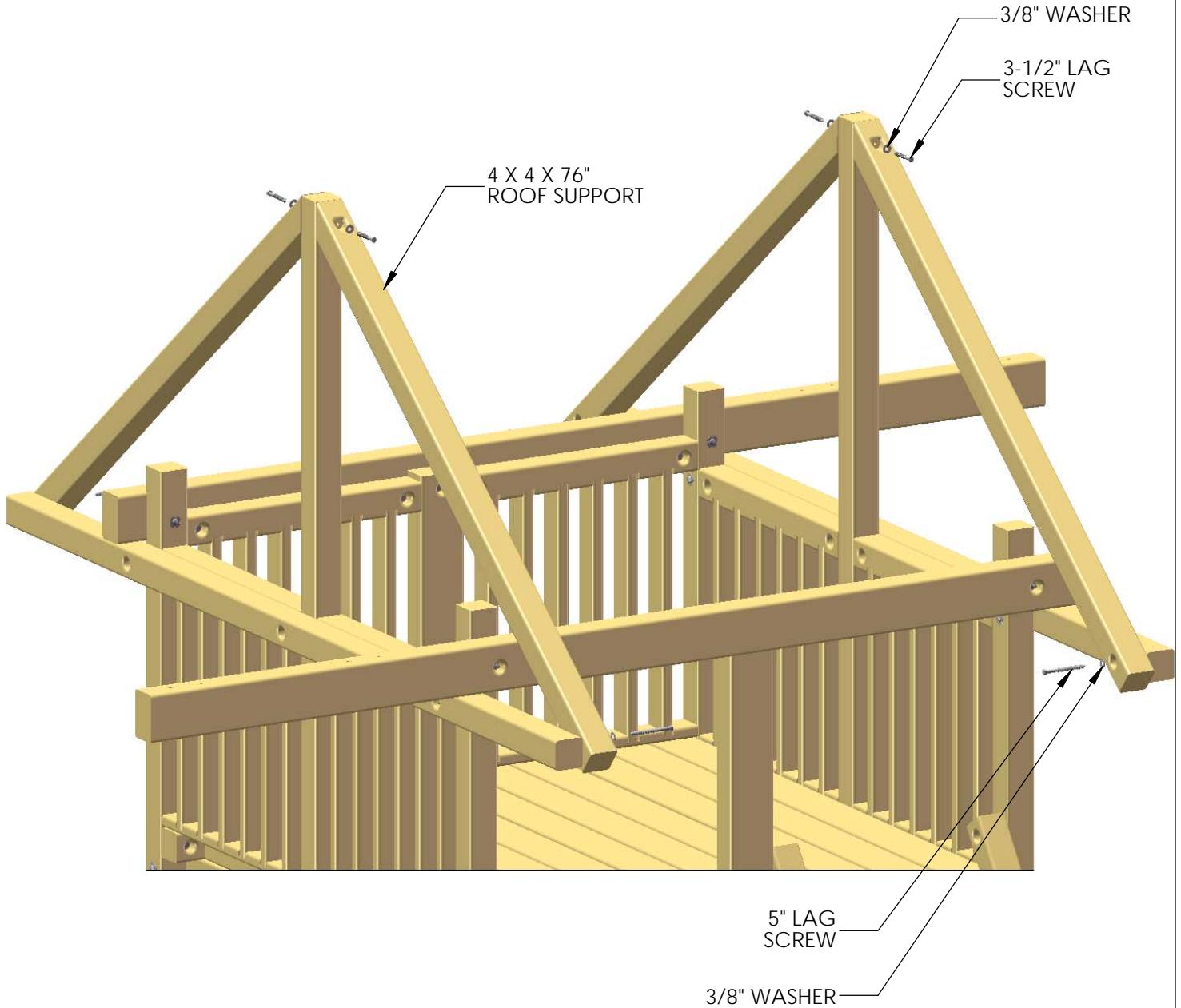
Copyright © 2009 PlayNation Play Systems, Inc.
All Rights Reserved

STEP 1: ROOF SUPPORTS

1: ATTACH THE 4 X 4 X 76" ROOF SUPPORTS AT THE TOP OF THE CENTER POSTS WITH 3-1/2" LAG SCREWS AND 3/8" WASHERS. THE ANGLED ENDS OF THE ROOF SUPPORTS WILL BE FLUSH TO THE TOP OF THE CENTER POSTS.

2: ADJUST THE ROOF SUPPORTS SO THAT THE SIDES ARE FLUSH WITH THE ENDS OF THE SIDE RAILS. IF THIS IS NOT DONE, THE ROOF BOARDS WILL NOT INSTALL PROPERLY.

3: ONCE THE ROOF SUPPORTS ARE ADJUSTED, ATTACH THEM TO THE SIDE RAILS WITH 5" LAG SCREWS AND 3/8" WASHERS.

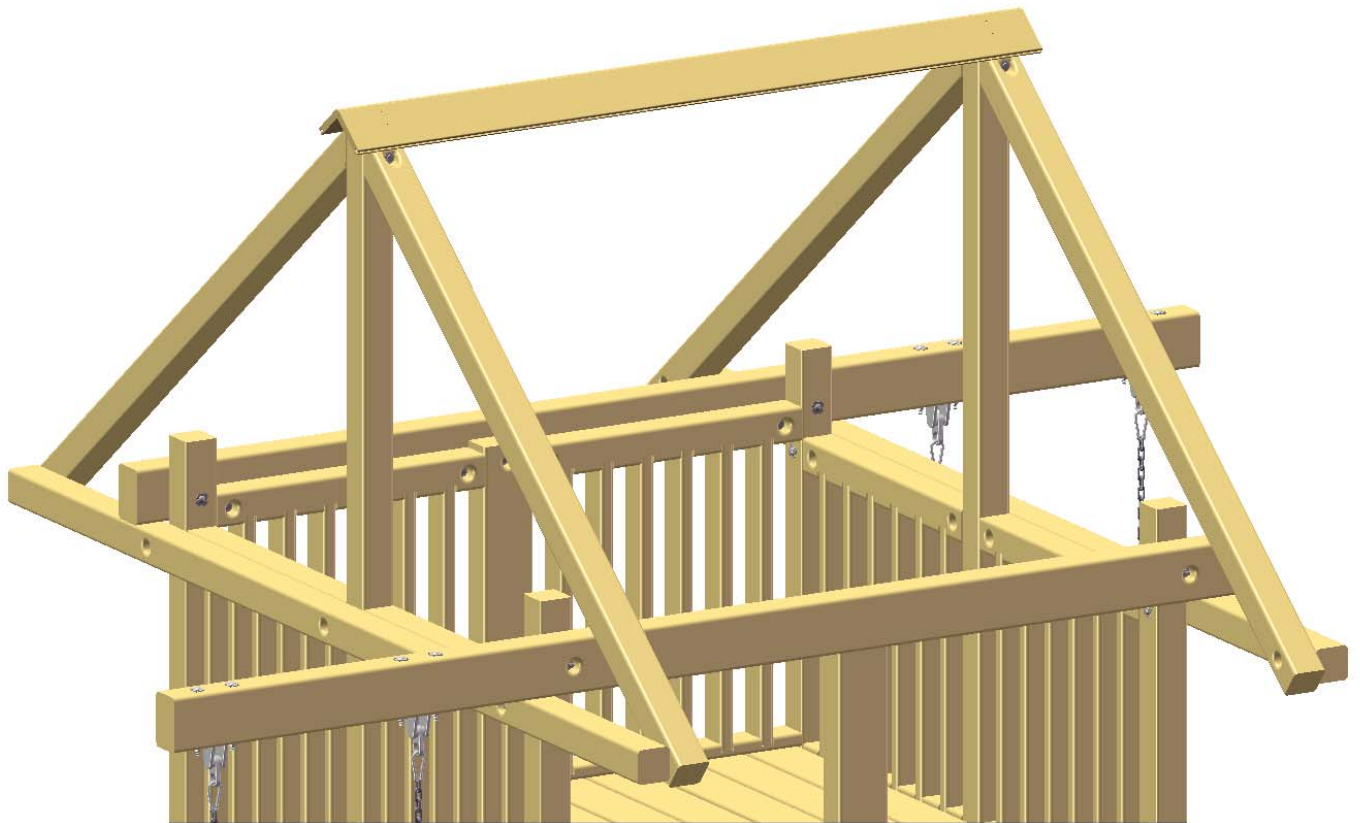
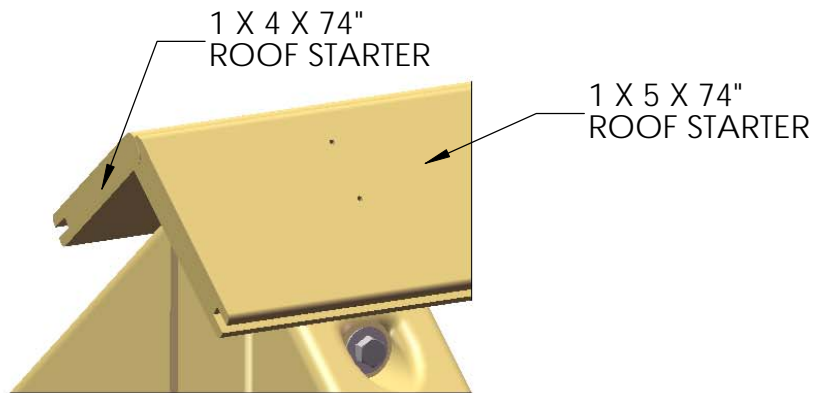


STEP 2: ROOF

1: FIND ONE 1 X 4 X 74" GROOVE-ONLY ROOF STARTER, AND ONE 1 X 5 X 74" GROOVE-ONLY ROOF STARTER.

2: POSITION THE BOARDS AT THE TOP OF THE ROOF SO THAT THE 1 X 5 ROOF STARTER WILL OVERLAP THE 1 X 4 ROOF STARTER.

3: FASTEN THE ROOF STARTERS TO THE ROOF SUPPORTS WITH 1-1/2" WOOD SCREWS.



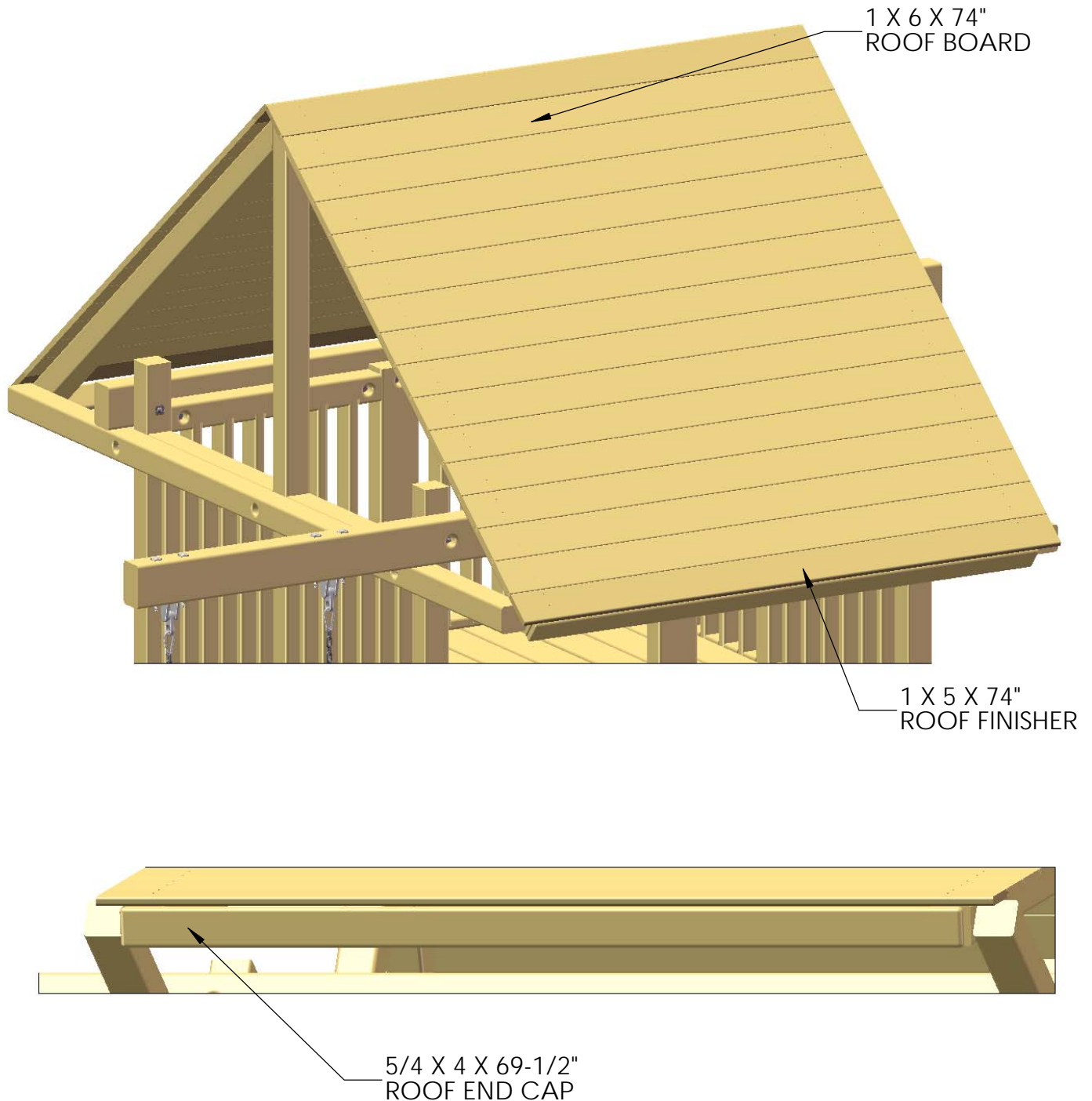
STEP 3: ROOF

1: FIND TWENTY-EIGHT 1 X 6 X 74" TONGUE-IN-GROOVE ROOF BOARDS, TWO 1 X 5 X 74" TONGUE-ONLY ROOF FINISHERS, AND TWO 5/4 X 4 X 69-1/2" ROOF END CAPS.

2: PLACE THE 1 X 6 X 74" ROOF BOARDS ON TOP OF THE ROOF SUPPORTS, FITTING THE TONGUE END INTO THE ROOVE END OF THE ROOF STARTERS. EACH SIDE OF THE ROOF GETS FOURTEEN ROOF BOARDS.

3: FASTEN THE ROOF BOARDS TO THE ROOF SUPPORTS WITH 1-1/2" WOOD SCREWS.

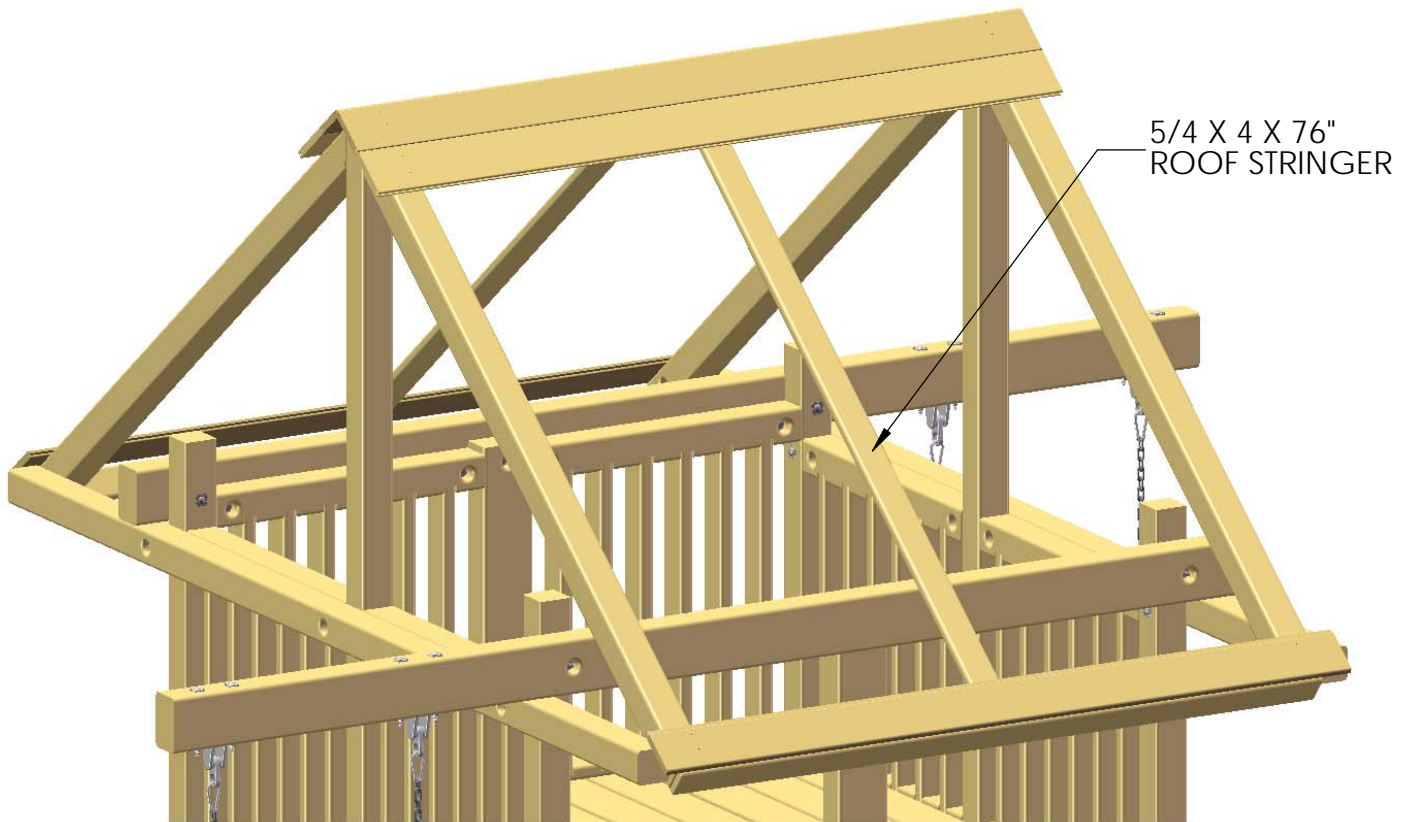
4: PLACE A 1 X 5 X 74" ROOF FINISHER ON EACH END OF THE ROOF, AND FASTEN WITH 1-1/2" WOOD SCREWS.



STEP 4: ROOF STRINGER

- 1: FIND TWO 5/4 X 4 X 76" ROOF STRINGERS.
- 2: CENTER THE ROOF STRINGERS FROM INSIDE THE FORT ON THE ROOF BOARDS.
- 3: ATTACH THE ROOF STRINGER TO THE ROOF BOARDS WITH 1-1/2" WOOD SCREWS, USING TWO SCREWS PER ROOF BOARD.

ROOF BOARDS HIDDEN FROM VIEW
FOR ASSEMBLY CLARITY



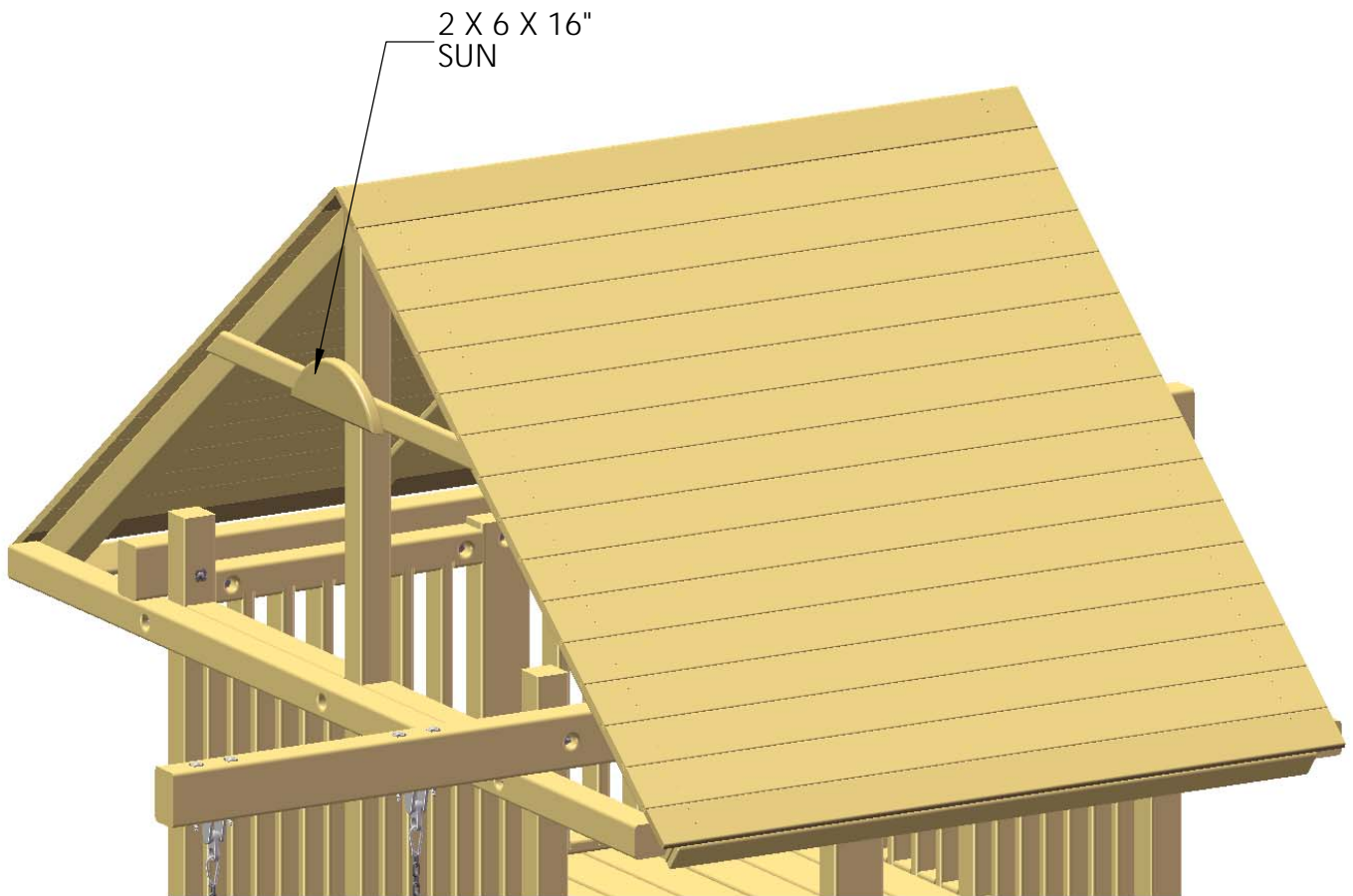
STEP 5: SUNBURST

- 1: FIND TWO 5/4 X 3 X 53" SUN SUPPORTS.
- 2: PLACE THE SUN SUPPORTS ON THE OUTSIDE OF THE FORT, AGAINST THE ROOF SUPPORTS AND CENTER UPRIGHT. THE ANGLED ENDS OF THE SUN SUPPORT WILL REST UNDERNEATH THE ROOF BOARDS.
- 3: BEFORE ATTACHING TO THE FORT, MAKE SURE THE SUN SUPPORT IS LEVEL.
- 4: ATTACH THE SUN SUPPORT TO THE ROOF SUPPORTS WITH 2" WOOD SCREWS.



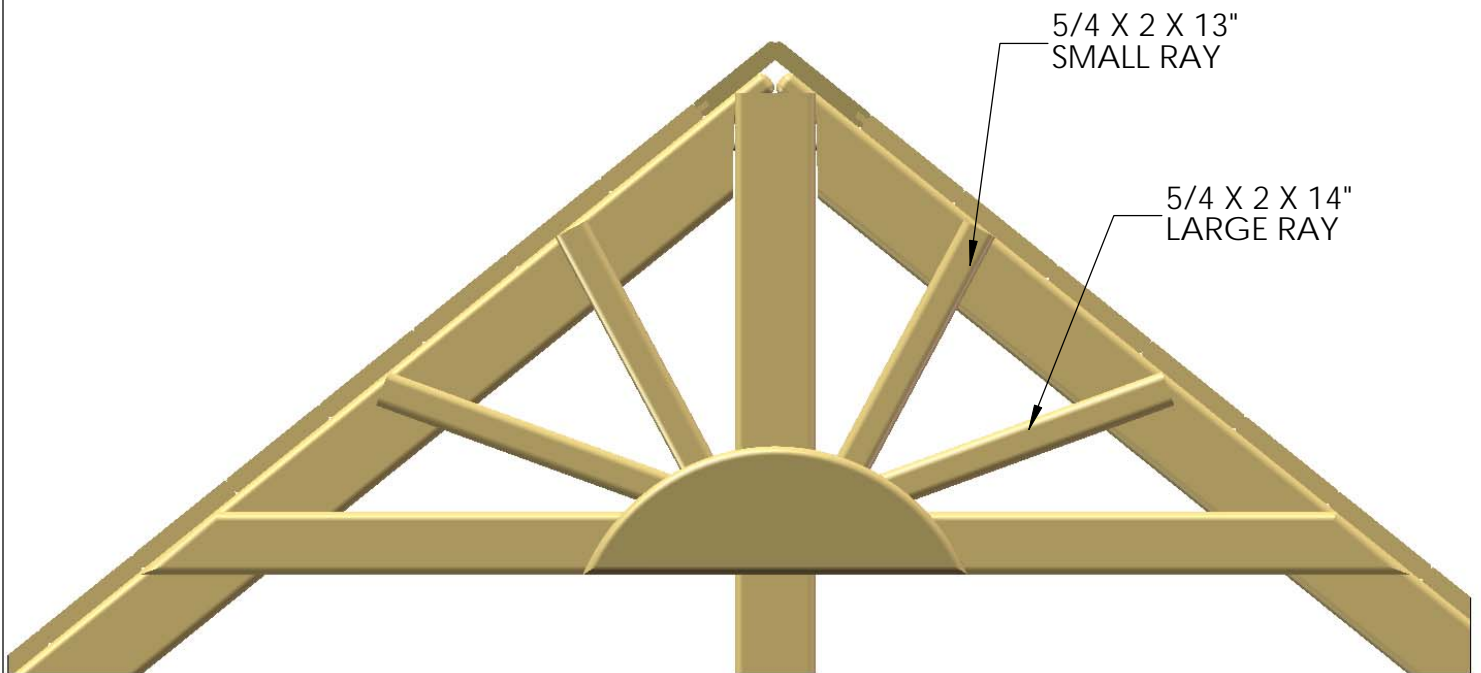
STEP 6: SUNBURST

- 1: FIND TWO 2 X 6 X 16" SUNS.
- 2: PLACE THE SUN ON THE OUTSIDE OF THE SUN SUPPORT, CENTERED TO THE CENTER UPRIGHT.
- 3: ATTACH THE SUN TO THE SUN SUPPORT WITH 2-1/2" WOOD SCREWS.



STEP 7: SUNBURST

- 1: FIND FOUR 5/4 X 2 X 14" LARGE RAYS, AND FOUR 5/4 X 2 X 13" SMALL RAYS.
- 2: PLACE THE LARGE RAYS BETWEEN THE CENTER UPRIGHT AND SUN AT AN ANGLE THAT ALLOWS THEM TO TOUCH THE ROOF PEAK AND NOT EXTEND PAST THE CENTER OF THE SUN. THE SMALL RAYS WILL INSTALL IN THE SAME MANNER AS THE LARGE RAYS. SEE BELOW FOR EXAMPLE.
- 3: ATTACH ALL RAYS WITH 2" WOOD SCREWS



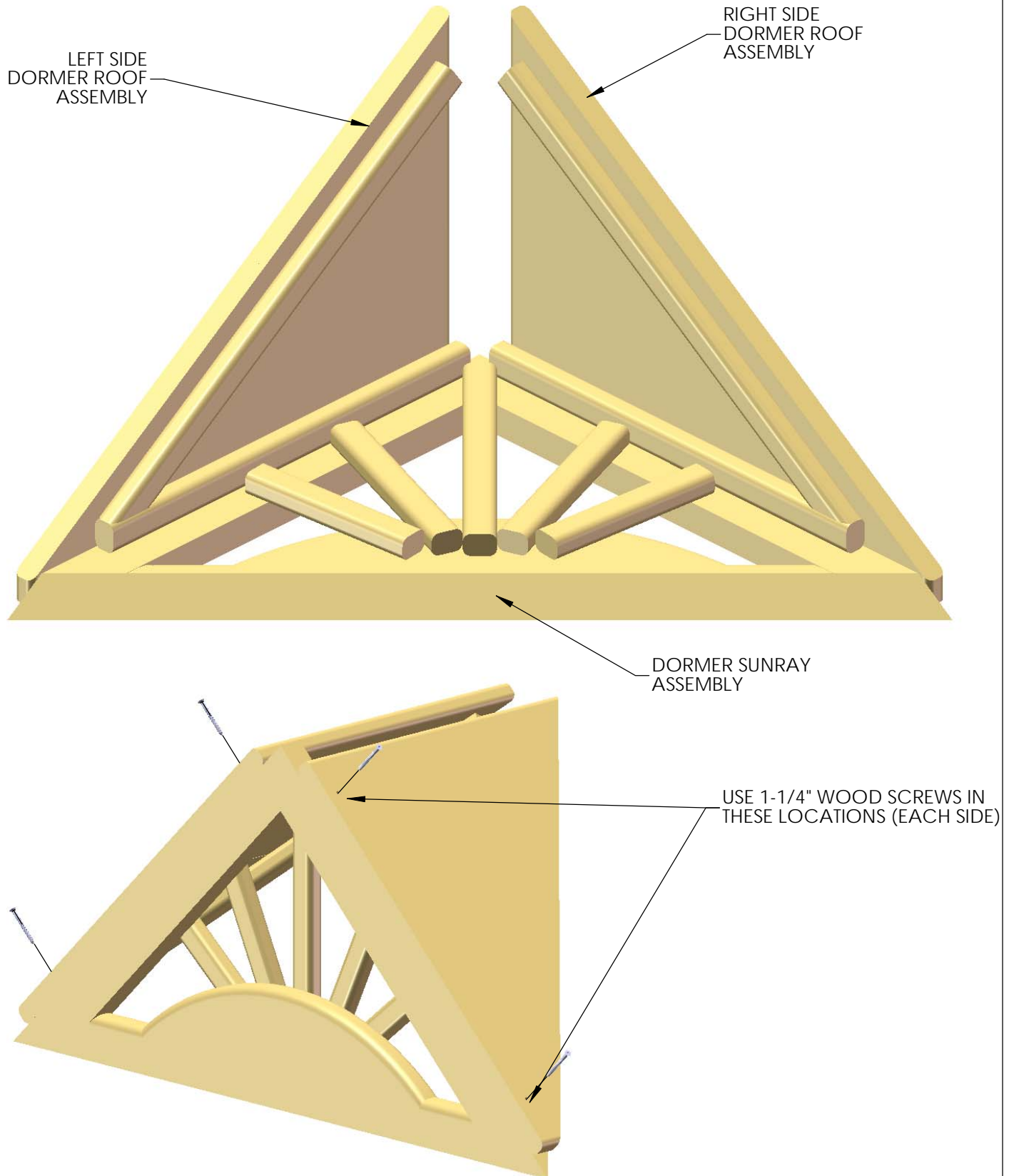
STEP 8: DORMER

1: FIND TWO LEFT SIDE AND TWO RIGHT SIDE DORMER ROOF ASSEMBLIES.

2: FIND TWO DORMER SUNRAY ASSEMBLIES.

3: PLACE THE LEFT AND RIGHT ROOF ASSEMBLIES ON THE BACK SIDE OF THE DORMER SUNRAY ASSEMBLY AS SHOWN BELOW.

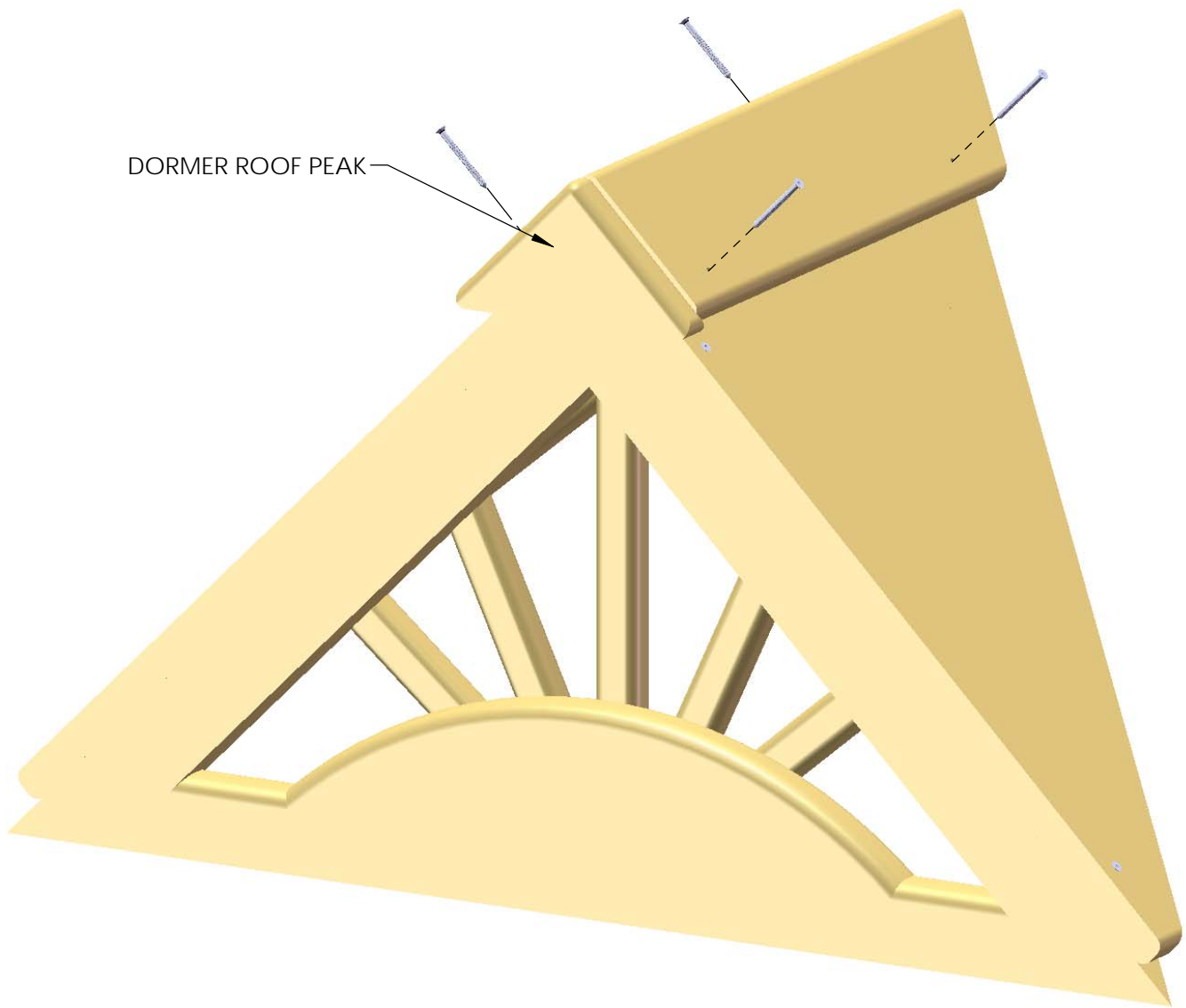
4: ATTACH THE DORMER ROOF SIDES TO THE DORMER SUNRAY WITH 1-1/4" WOOD SCREWS FROM THE ROOF BOARDS OF THE ROOF ASSEMBLIES.



STEP 9: DORMER

1: FIND THE DORMER ROOF PEAK ASSEMBLY.

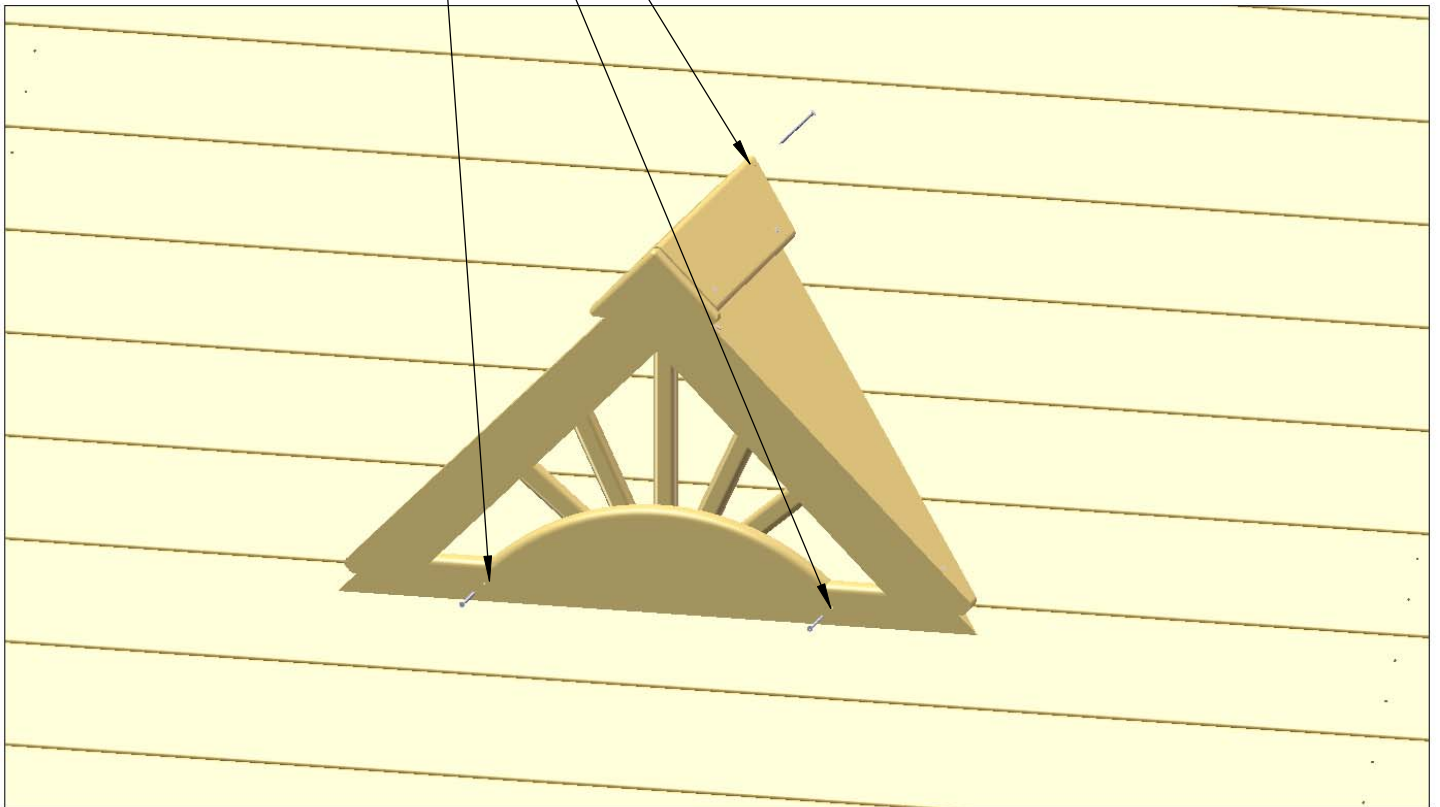
2: PLACE THE ROOF PEAK ASSEMBLY IN THE TOP OF THE ROOF AND FASTEN WITH 1-1/2" WOOD SCREWS.



STEP 10: DORMER

- 1: CENTER THE DORMER ASSEMBLIES ON THE ROOF.
- 2: USE 2" WOOD SCREWS TO FASTEN THE DORMERS TO THE ROOF.

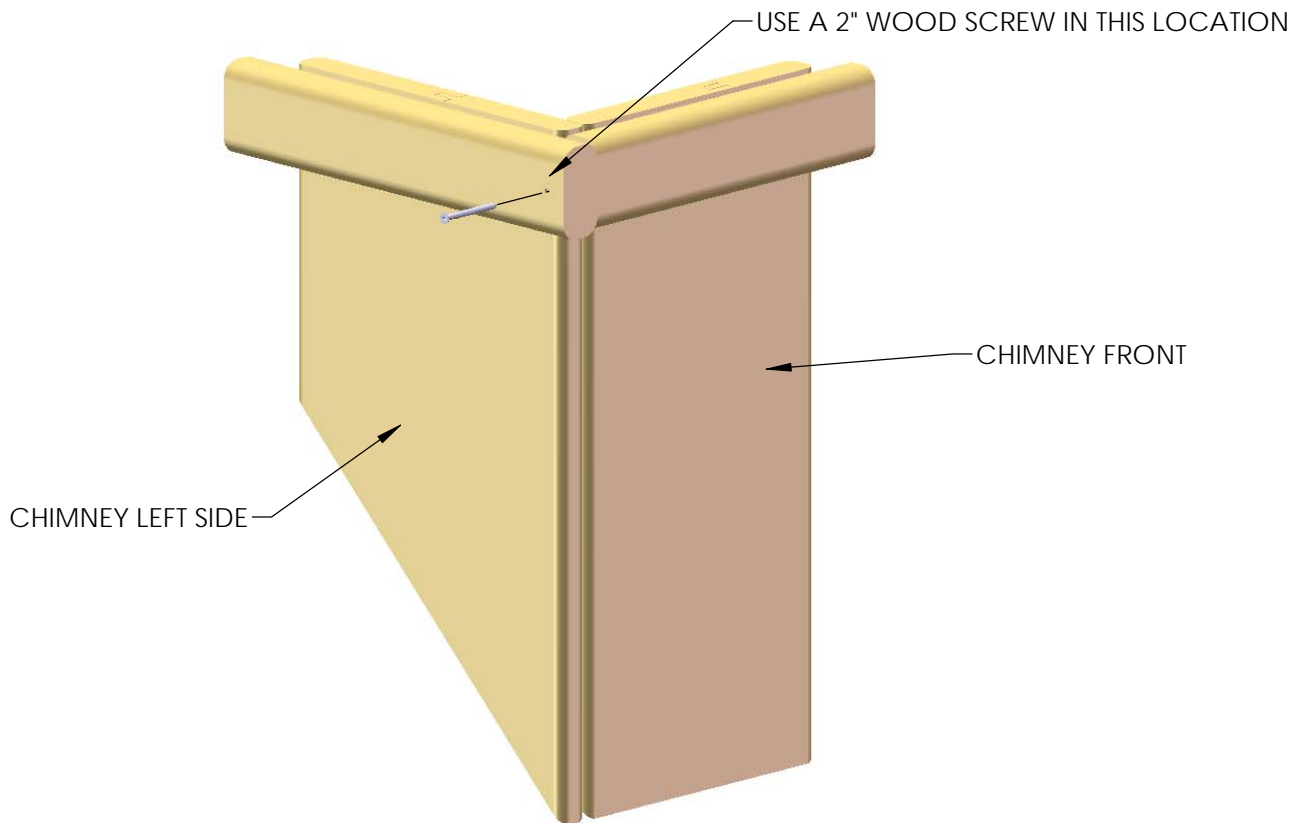
USE 2" WOOD SCREWS IN THESE
LOCATIONS (EACH SIDE)



STEP 11: CHIMNEY

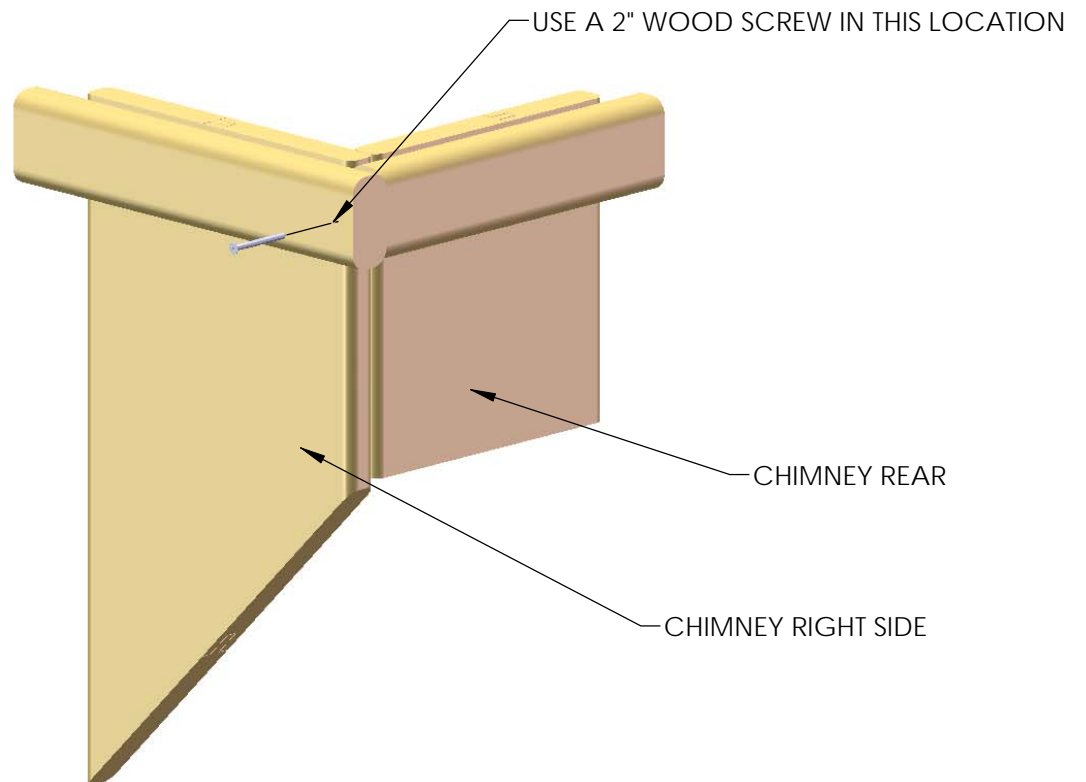
1: FIND THE FRONT AND LEFT SIDE OF THE CHIMNEY.

2: ATTACH THE FRONT AND LEFT SIDES OF THE CHIMNEY WITH A 2" WOOD SCREW.



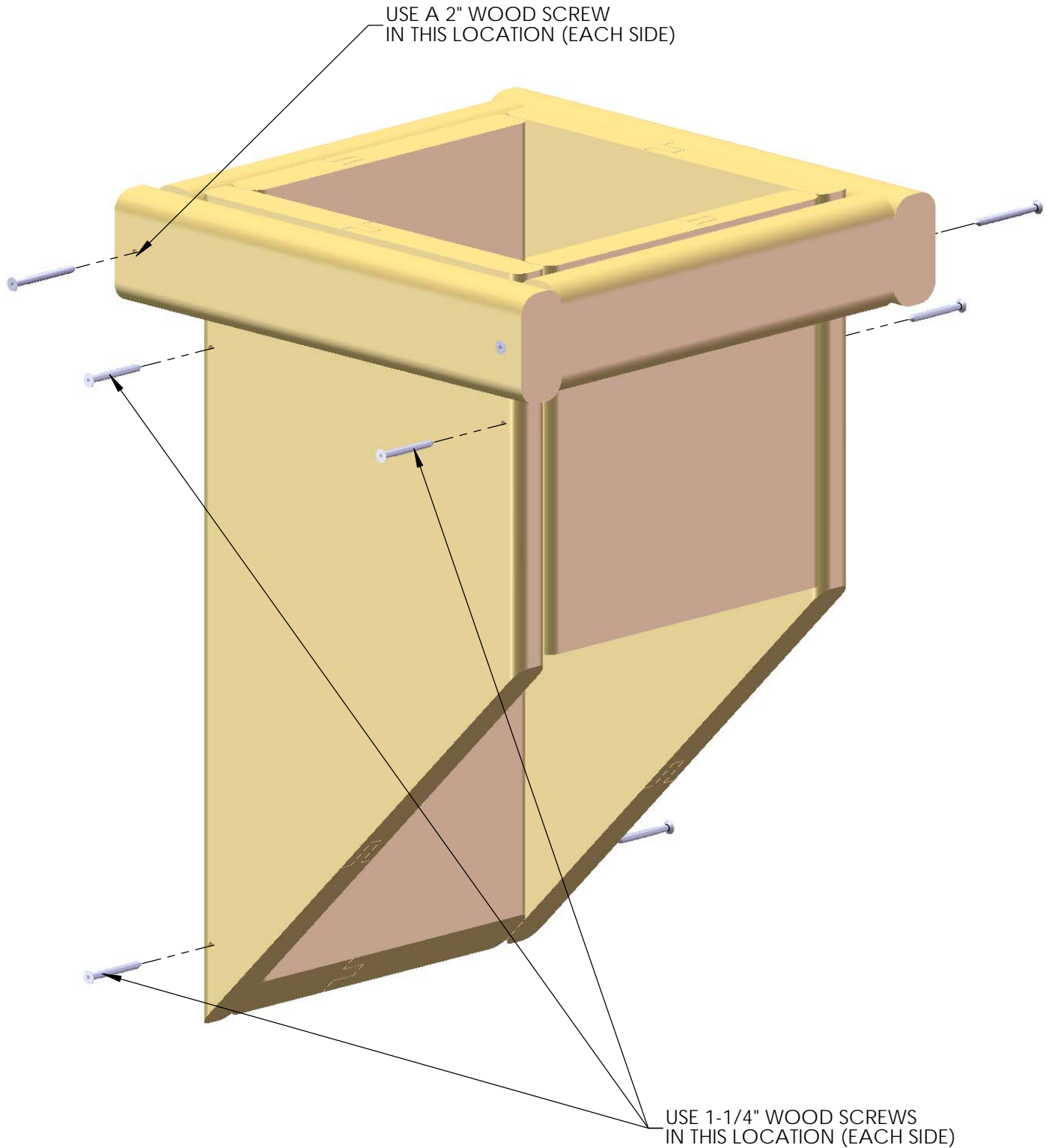
1: FIND THE REAR AND RIGHT SIDE OF THE CHIMNEY.

2: ATTACH THE REAR AND RIGHT SIDES OF THE CHIMNEY WITH A 2" WOOD SCREW.



STEP 12: CHIMNEY

1: ATTACH THE CHIMNEY SIDES FROM THE PREVIOUS SIDES TO FORM THE CHIMNEY WITH 2" AND 1-1/4" WOOD SCREWS.



STEP 13: CHIMNEY

- 1: FASTEN THE 5/4 X 3 X 6-3/4" CHIMNEY MOUNTING BLOCK TO THE ROOF WITH 1-1/2" WOOD SCREWS. YOU CAN PLACE THE BLOCK AT ANY DESIRED PLACE ON THE ROOF. USE THE DIAGRAM BELOW AS A GUIDE AS TO WHERE YOU MIGHT INSTALL YOUR CHIMNEY.
- 2: AFTER INSTALLING THE CHIMNEY MOUNTING BLOCK, PLACE THE CHIMNEY ASSEMBLY ON THE ROOF SO THAT THE INSIDE OF THE BACK WALL RESTS AGAINST THE BLOCK.
- 3: FASTEN THE CHIMNEY TO THE CHIMNEY MOUNTING BLOCK WITH A 2" WOOD SCREW IN EACH SIDE.

