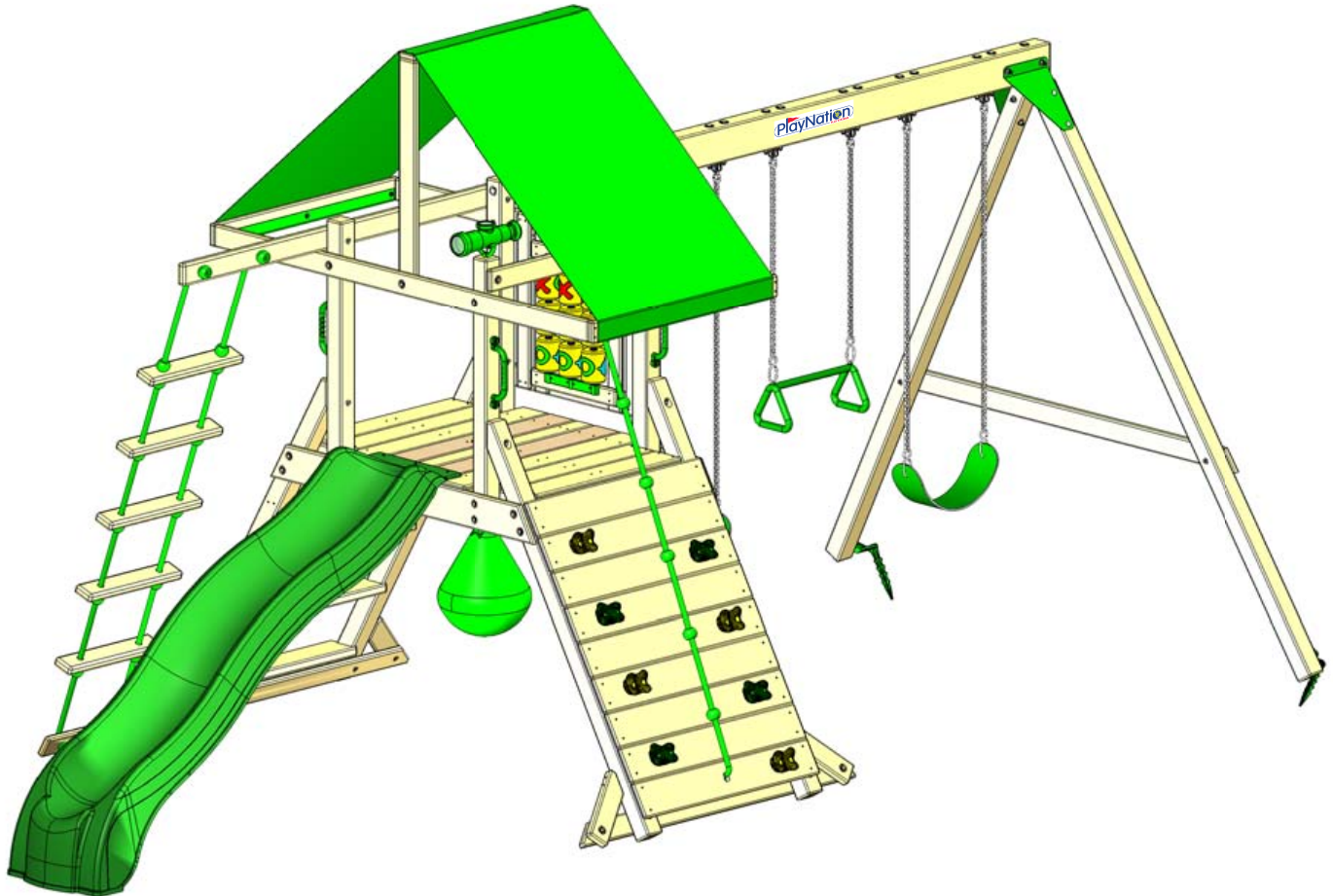


# PlayNation

PLAY SYSTEMS



## Latitude II

**Model: 1150**

(BOXES: 1150-1, 1150-2  
& Slide Box)

Copyright © 2019 PlayNation Play Systems  
All Rights Reserved



**52-2108-T**

190 Etowah Industrial Court  
Canton, GA 30114  
[www.playnation.com](http://www.playnation.com)

REV: 3.20.2019

-NOTICE-

This playset is intended for residential use only. It is not intended nor warranted for either public or commercial use.



Please inspect and inventory all parts immediately upon accepting delivery. Use the inventory pages in the manual to make sure you have received all necessary parts. The quickest method to get any parts that are missing or damaged is use our “Quick Response Center” located at:

**[www.playnation.com/support](http://www.playnation.com/support)**

DO NOT RETURN THIS PRODUCT TO THE RETAILER OR CONTACT THE RETAILER DIRECTLY. THE RETAILER DOES NOT STOCK COMPONENTS.

PLEASE RETAIN ALL INSTRUCTIONS FOR FUTURE REFERENCE. KEEP THEM IN A SAFE PLACE WHERE YOU CAN REFER TO THEM AS NEEDED. CHECK FOR REVISED INSTRUCTIONS AT:

**<http://www.playnation.com/manuals.html>**

PlayNation Play Systems warrants its Regal™, Horizon™ and Empire™ series swing sets to be free from defects in workmanship and materials, under normal use and conditions, for the lifetime of the product for above ground structural wood components and for two years for the following accessories (e.g., swings, hardware, plastics, tarps, rope ladder, etc.).

PlayNation warrants its Premium Redwood swing sets to be free from defects in workmanship and materials, under normal use and conditions, for the lifetime of the product for all Redwood components. All hardware/non-wood components are covered for a period of three years and all ropes and canopies are covered for a period of one year.

PlayNation warrants all of its slides to be free from defects in workmanship and materials, under normal use and conditions, for the lifetime of the product.

PlayNation warrants all remaining products, including but not limited to its Free Standing Swing Set, See-Saw, Children's Picnic Table with Umbrella, Play-Zee-Bo™, Riviera Playhouse, Interlocking Sandbox, Toy Chest, and spring riders to be free from defects in workmanship and materials, under normal use and conditions, for a period of 1 year. All accessories purchased separate from those included with one of our swing set packages have a one year limited warranty.

Cosmetic imperfections and natural tendencies of wood such as peeling, splintering, warping, seasonal checking or cracking, knots or knot holes, etc. are normal characteristics of all outdoor wooden play equipment and are not covered by this warranty. Checks or cracks in wood components that do not affect the intended function of the part, piece or overall swing set functionality are not covered under this warranty.

Wood rot or decay that develops because the product was installed in an area with poor drainage is not covered under this warranty. Lumber that has been damaged by wood boring bees, or conditions that develop as a result of faulty or improper installation of the product, are not covered by this warranty. Fading of stain, discoloration or mold on any wood part or accessory is not covered by this warranty. Cracks in plastic components, surface rust on hardware and chips on powder coated materials are not considered defects in material as long as they do not affect the functionality or structural integrity of the part or component.

It is the swing set owner's responsibility to maintain the swing set. This includes but is not limited to staining and sealing the lumber as needed and regular inspection to be sure all hardware is tight. Instructions for proper maintenance can be found on PlayNation's website. Imperfections or conditions that develop because of a failure to properly maintain the swing set are not covered by this warranty.

PlayNation will, at its discretion, replace any above ground part that is defective in workmanship or materials within the stated warranty period. This decision is subject to verification of the defect, which, at PlayNation's discretion, may be accomplished by submitting photographs or by delivery of the defective part to PlayNation: PlayNation Play Systems; 190 Etowah Industrial Ct.; Canton, GA 30114. Any warranty claim must include proof of purchase, including the date of purchase. Within the first 30 days from the date of purchase, PlayNation will replace any parts discovered to be missing from or damaged in the original packaging.

This warranty is valid only if the product is used for the purpose for which it was designed and installed at a residential, single-family dwelling. This warranty is void if the product is used in a commercial, institutional or multi-family setting. This warranty does not cover normal wear and tear or (a) products that have been damaged by acts of God and/or nature, negligence, misuse or accident; (b) products that have been modified or repaired by unauthorized persons; (c) the cost of labor; or (d) the cost of shipping any replacement product or part.

PLAYNATION DISCLAIMS ALL OTHER REPRESENTATIONS AND WARRANTIES OF ANY KIND, EXPRESSED, IMPLIED, STATUTORY OR OTHERWISE, INCLUDING THE IMPLIED WARRANTIES OF MERCHANTABILITY AND FITNESS FOR A PARTICULAR PURPOSE. PLAYNATION WILL NOT BE LIABLE FOR ANY INCIDENTAL OR CONSEQUENTIAL DAMAGES. This warranty is non-transferable and does not extend to the owners of the product subsequent to the original purchaser. Some states do not allow limitations on implied warranties or exclusion of incidental or consequential damages, so these restrictions may not be applicable to you. This warranty gives you specific legal rights. You may also have other rights which vary from state to state.

# IMPORTANT SAFETY GUIDELINES

This product is recommended for use by children ages 3-11. This product is intended for residential use only and not intended for use in any public setting. A safety surface such as mulch or recycled tire should be used under the play set to prevent injury from falls. Also a 6 foot safety zone should be used around the entire play set.

As with any home project, good judgment and respect for power tools will greatly reduce the risk of injury. PlayNation recommends you follow all tool manufacturers' safety guidelines. Always wear eye protection and safety gloves to prevent injury. In several phases of construction two people may be required for lifting and securing of lumber. While the play set is being constructed, please keep children off the equipment until the project is complete. Bolts and screw heads should be checked regularly for tightness. The ground ladder, rope ladder, slide, swings and other areas where children spend a majority of their playtime should be checked more frequently.

PlayNation shall not be liable for incidental, indirect or consequential damages or injuries that result from the building and/or playing on our play sets. Adult supervision is recommended anytime a play set is being used.

## WEIGHT LIMITS FOR PLAYNATION PLAYSETS

- FORT PLATFORMS: 800 LBS. TOTAL WEIGHT
- SWING BELT: 225 LBS.
- TANDEM SWINGS: 70 LBS. PER CHILD. UP TO 140 LBS TOTAL WEIGHT.
- TRAPEZE: 125 LBS.
- FULL BUCKET SWING/ HALF BUCKET SWING: 50 LBS.
- HEAVY DUTY TODDLER BUCKET SWING: 85 LBS.
- INFANT SWING: 35 LBS.
- TIRE SWING: 125 LBS. TOTAL WEIGHT
- ROPE LADDER: 75 LBS.
- ROCK WALL: 150 LBS.
- CLIMBING RAMP: 150 LBS.
- MONKEY BARS: 175 LBS.
- ALL SLIDES: 150 LBS.

PlayNation recommends that the weight limits for all components must not be exceeded. Failure to adhere to these and other safety guidelines could result in damage to the play set and injury to the users.

**THIS PAGE INTENTIONALLY LEFT BLANK**

# PRODUCT REGISTRATION

- LATITUDE II -

PlayNation™ manufactures the finest quality products that are designed for outstanding strength and durability. We back our products with an unparalleled warranty. In the unlikely event that you will need to contact us about covered repairs, we must have a valid Product Registration on file.

3 EASY WAYS TO REGISTER	
<b>OPTION 1</b>	Complete the online registration form at: <b><a href="http://www.playnation.com/register">http://www.playnation.com/register</a></b>
<b>OPTION 2</b>	Fax this completed form to: <b>(678) 880-3300</b>
<b>OPTION 3</b>	Mail this completed form to: <b>PlayNation Playsets 190 Etowah Industrial Court Canton, GA 30114</b>

## Where did you buy this product?

Date of Purchase \_\_\_\_\_ Store \_\_\_\_\_ Store City \_\_\_\_\_ Store State \_\_\_\_\_

## Your registration information:

Name: \_\_\_\_\_ Email: \_\_\_\_\_

Address: \_\_\_\_\_

Street	City	State	Zip
Please select your age			
<input type="checkbox"/> 18-30			
<input type="checkbox"/> 31-40			
<input type="checkbox"/> 41-50			
<input type="checkbox"/> 51+			
How old are your children?			
<input type="checkbox"/> 2-3			
<input type="checkbox"/> 4-5			
<input type="checkbox"/> 6-7			
<input type="checkbox"/> 8+			
Number of children			
<input type="text"/>			

How would you rate the quality of this product?

<input type="checkbox"/>	★ ★ ★ ★ ★	Excellent
<input type="checkbox"/>	★ ★ ★ ★	Above Average
<input type="checkbox"/>	★ ★ ★	Average
<input type="checkbox"/>	★ ★	Below Average
<input type="checkbox"/>	★	Poor

Would you recommend this product to friends & family?  Yes  No

May we add you to our mailing list?  Yes  No

May we use your comments on websites or other marketing materials?  Yes  No

Comments: \_\_\_\_\_  
\_\_\_\_\_  
\_\_\_\_\_  
\_\_\_\_\_

**THIS PAGE INTENTIONALLY LEFT BLANK**



## **IMPORTANT – PLEASE READ**

Congratulations! You have just purchase one of the finest residential wooden swing sets available today. As with any wooden product that spends its entire life outside, in varying elements, it is important to know what to expect with your new swing set so that your family can enjoy it for many years.

As your swing set acclimates to its new environment, natural characteristics of the wood can show in the form of checks, or “cracks” in the lumber. In almost all cases this is normal and it will not affect the structural integrity of your play set and is not covered under warranty.

## **KEEPING YOUR PLAYSET LIKE NEW**

### **MUST DO's**

The following owner responsibilities are crucial to the safety, integrity and aesthetic appeal of your swing set and may affect the warranty if not adhered to.

#### **WITHIN 60 DAYS**

- Check and tighten Hex Bolts/T-nuts, Carriage Bolts/Lock-nuts, and Lag Screws within the first 60 days and then twice annually – once before each season and then once during the season.

#### **WITHIN 90 DAYS**

- Apply a **sealant** or **semi-transparent stain with sealant** within the first 90 days of owning the swing set. If applicable state laws allow, an oil based product will penetrate and protect the lumber better than a water based product. Because climate conditions can vary drastically from region to region, we suggest asking the product covering specialists at any number of specialty paint stores or home improvement centers for a product that would work best for your local environment. \*\* TIP – while the set is new, take a small board from your swing set to the store with you so they can color match the tint of the stain or sealant. Be sure to replace the board when you get home.

#### **SEASONAL REMINDERS**

- If your area experiences regular snowfall, remove your fabric tarp/canopy to avoid stretching, sagging or tearing of the material. Store it inside, folded up, and it will be as good as new when winter is over.
- If your area experiences extremely cold temperatures, remove swing belts and other pliable features to prolong the lifespan of these play activities.

### **OTHER TIPS**

- Spray swing hangers with Pam, Mazola or olive oil to stop squeaking; do not use petroleum based products such as WD-40 or motor oil.
- To repel yellow jackets and wasps, use a cotton ball and dab interior wooden corners underneath the play set deck with a liquid dish soap. Avoid using insecticides.
- To speed up the slide wipe the center of slide with wax paper every 2 - 3 weeks.

For additional safety and maintenance guidelines, please visit our website.



## **IMPORTANT DOCUMENTS**

### **CUSTOMER MUST READ AND RETAIN**

Please go to the following links and read important SAFETY information prior to using your new play structure.

<http://www.playnation.com/safety-and-maintenance.html>

<http://www.playnation.com/manuals.html> (Click on your specific model)

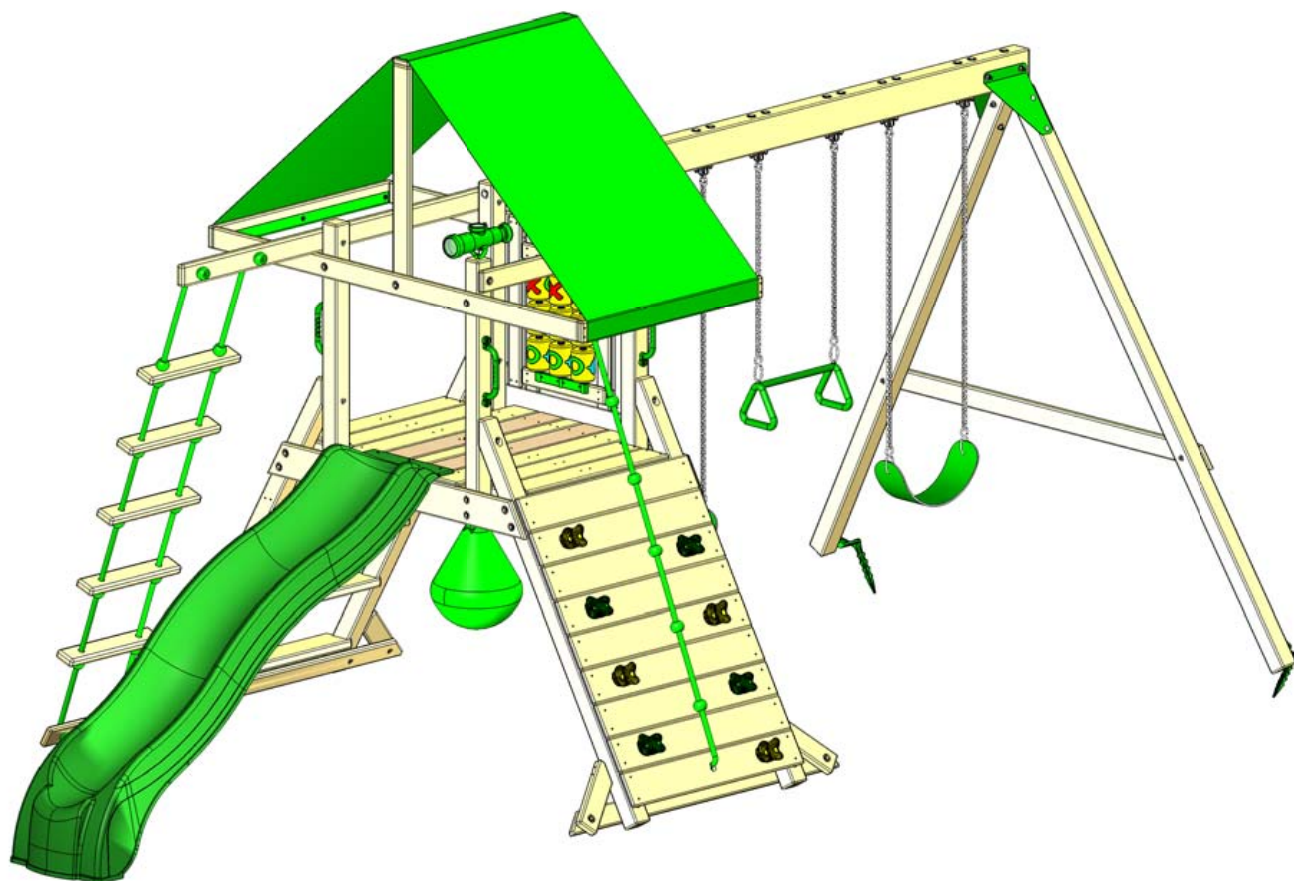
<http://www.playnation.com/warranty.html>

**NOTE:** Your children's safety is our #1 concern. Observing the following statements and warnings reduces the likelihood of serious injury. Please review these safety rules regularly with your children.

#### **WARNING:**

***Children must NOT use this play set until it has been completely assembled and inspected by an adult to ensure it has been properly installed***

PlayNation Play Systems  
190 Etowah Industrial Court  
Canton, GA. 30114



**Model: 1150**

(BOXES: 1150-1, 1150-2,  
and Slide Box)

REV: 3.20.2019

# TABLE OF CONTENTS

Safety Guidelines.....	Pages 3-6
Leveling Fort, General Information and Definitions.....	Pages 6-9
How to Install T-nuts and Swing Beam Loading.....	Pages 10-12
Site Plan, Safety Zone, Required Tool List and Kit Contents.....	Pages 13-15
Hardware, Lumber and Accessory Checklists.....	Pages 16-26
Ladder.....	Steps 1-3
Rock Wall.....	Steps 4-6
Fort Supports and Corner Posts.....	Steps 7-11
Ladder and Rock Wall Completion.....	Step 12
Swing Beam Mount and Side Rails.....	Steps 13-15
Rope ladder Support and Rock Wall Rope Support.....	Step 16
Leveling Play Set and Tightening Bolts.....	Step 17
Tarp Boards and Deck Boards.....	Steps 18-19
Rear Bottom Panel Board, Center Posts and Center Tarp Board.....	Steps 20-22
Panel Slats and Center Deck Support.....	Steps 23-25
Swing Beam Assembly.....	Steps 26-32
Rock Wall Rocks, Climbing Rope and Rope Ladder.....	Steps 33-35
Slide Block and Mounting Slide.....	Steps 36-37
Attaching Tarp.....	Step 38
Telescope, Safety Handles and Hanging Swings.....	Steps 39-41
Punching Ball and Tic Tac Toe.....	Steps 42-44
Name Plate.....	Step 45
Ground Stakes.....	Step 46

**PLEASE READ OWNER'S MANUAL CAREFULLY  
BEFORE STARTING ASSEMBLY!**

# Safety and Maintenance Tips for Your New Play Set:

**NOTE: Your children's safety is our #1 concern. Observing the following statements and warnings reduces the likelihood of serious or fatal injury. Please review these safety rules regularly with your children.**

- This play set is designed for the use of 4 occupants who have a combined weight not exceeding 800 pounds on the elevated floor, 3 occupants who have a combined weight of 425 pounds on the swing area, for a total Unit capacity of 7 occupants who have a combined weight of 1225. (This weight does not include any picnic table area(s).)
- On-site adult supervision is required.
- Teach children not to walk close to, in front of, behind, or between moving swings or other moving playground equipment.
- Teach children to sit in and never stand on swings
- Teach children not to twist the chains and ropes and not to loop them over the swing beam, since this may reduce the strength of the chain or rope.
- Teach children not to jump from swings or other playground equipment in motion.
- Teach children not to push empty seats. The seat may hit them and cause serious injury.
- Teach children to sit in the center of the swings with their full weight on the seats.
- Teach children not to use the equipment in a manner other than intended.
- Teach children to always go down slides feet first. Never slide headfirst.
- Teach children to look before they slide to make sure no one is at the bottom.
- Teach children to never run up a slide, as this increases their chances of falling.
- The parents should have the children dress appropriately with well-fitting shoes. Loose clothing such as scarves and ponchos should not be worn. Always take off, tie up or tuck in cords and drawstrings on children's clothing. These things can get caught on playground equipment and strangle a child.
- Teach children not to climb when the equipment is wet.
- Teach children to never jump from a fort deck. They should always use the ladder, ramp or slide.
- Teach children to never crawl or walk across the top of monkey bars or swing beam.
- Teach children to never crawl on top of a fort roof or on the outside of a tube slide.
- Verify that any suspended climbing ropes, chains, or cables are secured at both ends and that they cannot be looped around an adult hand.
- Teach children not to attach items to the playground equipment that are not specifically designed for use with the equipment, such as, but not limited to, jump ropes, clothesline, pet leashes, cables and chain as they may cause a strangulation hazard.
- Teach children to never wrap their legs around swing chain.
- Teach children to never slide down the swing chain.
- Teach children to remove their bike or other sports helmet before playing on the playground equipment.
- Teach children to NEVER look at the sun or other bright light through any accessory such as but not limited to a telescope, periscope or binoculars.
- Never add extra length to chain or rope. The chains or ropes provided are the maximum length designed for the swings.

**WARNING: Children must NOT use this play set until it has been completely assembled and inspected by an adult to insure it has been properly installed and the swing beam legs are anchored.**

# **Safety and Maintenance Tips for Your New Play Set: (continued)**

Playgrounds should be inspected on a regular basis. If any of the following conditions are noted, they should be removed, corrected, or repaired immediately to prevent injuries.

- Hardware that is loose, worn or that has protrusions or projections.
- Exposed equipment footings.
- Scattered debris, litter, rocks, or tree roots.
- Splinters, large cracks, and decayed wood components.
- Deterioration and corrosion on structural components, which connect to the ground.
- Missing or damaged equipment components, such as handholds, guardrails, swing seats.
- Check all nuts and bolts twice monthly during the usage season and tighten as required. (But not so tight that you crack the wood) We recommend you check the swing beam and hardware often due to wood expansion and contraction. It is particularly important that this procedure be followed at the beginning of each season.
- Remove plastic swing seats and take indoors or do not use when the temperature drops below 32°F. Reinstall swings and other swing equipment at the beginning of the usage season.
- Oil all metallic moving parts monthly during the usage period.
- Check all coverings for bolts and sharp edges twice monthly during usage season to be certain they are in place. Replace when necessary. It is especially important to do this at the beginning of each new season.
- Check swing seats, ropes, cables and chains monthly during usage season for evidence of deterioration. Replacement should be made of any swing seat that has developed cracks in the plastic seats. Ropes, cables and chains should be removed and replaced if excessive wear is found. Contact us for warranted replacement parts.
- Swing chains, rings, ropes, etcetera should always be fastened to a rotating swing hanger. NEVER attach a chain, ring, rope, etcetera to a stationary hanger such as but not limited to an eye bolt. Severe wear could occur leading to an injury.
- For rusted areas on metallic members such as monkey bars, hand supports brackets, etc.; sand and repaint, using a non lead-based paint meeting the requirements of Title 16 C.F.R. Part 1303. These requirements are available at: <http://www.cpsc.gov/>
- Inspect wood parts monthly. The grain of the wood sometimes will lift in the dry season causing splinters to appear. Light sanding may be necessary to maintain a safe playing environment. If you are treating your play set with stain regularly, it will help prevent severe checking/splitting and other weather damage.
- Once or twice a year, depending on your climate conditions, you must apply some type of protection (sealant) to the wood of your unit. Prior to the application of sealant, lightly sand any “rough” spots on your set. Please note this is a requirement of your warranty.
- Creating and maintaining the play set on a level location is very important. As your children play, your play set will slowly dig its way into the soil, and it is very important that it settles evenly. Make sure the play set is level and true once each year or at the beginning of each play season.
- Twice a month during the usage season rake the playground protective surfacing materials to prevent compaction and maintain appropriate depths. Replace the protective surfacing materials as required.
- Disposal Instructions: When the play set is no longer desired, it should be disassembled and disposed of in such away that no unreasonable hazards will exist at the time the play set is discarded.

# PLAYGROUND SURFACING MATERIALS

## SECTION 4 OF THE CONSUMER PRODUCT SAFETY COMMISSION'S OUTDOOR HOME PLAYGROUND SAFETY HANDBOOK<sup>9</sup>

### Select Protective Surfacing

One of the most important things you can do to reduce the likelihood of serious head injuries is to install shock-absorbing protective surfacing under and around your play equipment. The protective surfacing should be applied to a depth that is suitable for the equipment height in accordance with ASTM Specification F 1292. There are different types of surfacing to choose from; whichever product you select, follow these guidelines:

**NOTE:** Do not install home playground equipment over concrete, asphalt, or any other hard surface. A fall onto a hard surface can result in serious injury to the equipment user. Grass and dirt are not considered protective surfacing because wear and environmental factors can reduce their shock absorbing effectiveness. Carpeting and thin mats are generally not adequate protective surfacing. Ground level equipment – such as a sandbox, activity wall, playhouse or other equipment that has no elevated play surface – does not need any protective surfacing.

### Loose-Fill Materials:

- ❑ Maintain a minimum depth of 9 inches of loose-fill materials such as wood mulch/chips, engineered wood fiber (EWF), or shredded/recycled rubber mulch for equipment up to 8 feet high; and 9 inches of sand or pea gravel for equipment up to 5 feet high. NOTE: An initial fill level of 12 inches will compress to about a 9- inch depth of surfacing over time. The surfacing will also compact, displace, and settle, and should be periodically refilled to maintain at least a 9- inch depth.
- ❑ Use a minimum of 6 inches of protective surfacing for play equipment less than 4 feet in height. If maintained properly, this should be adequate. (At depths less than 6 inches, the protective material is too easily displaced or compacted.)
- ❑ Use containment, such as digging out around the perimeter and/or lining the perimeter with landscape edging. Don't forget to account for water drainage. U.S Consumer Product Safety Commission, Washington, D.C., 20207 or call the toll-free hotline :1-800-638-2772
- ❑ Check and maintain the depth of the loose-fill surfacing material. To maintain the right amount of loose-fill materials, mark the correct level on play equipment support posts. That way you can easily see when to replenish and/or redistribute the surfacing.
- ❑ **Do not** install loose fill surfacing over hard surfaces such as concrete or asphalt.

### Poured-In-Place Surfaces or Pre-Manufactured Rubber Tiles:

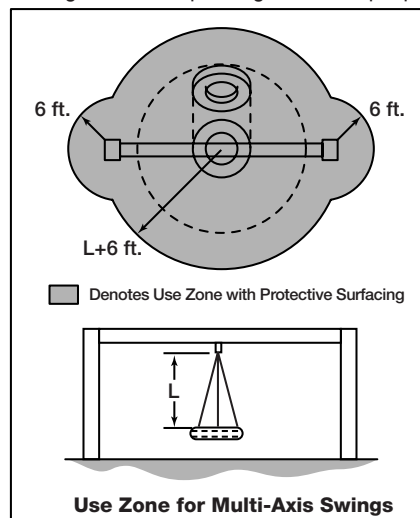
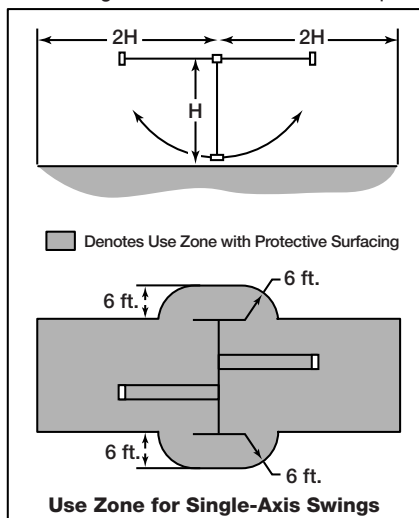
You may be interested in using surfacing other than loose-fill materials – like rubber tiles or poured-in-place surfaces.

- ❑ Installations of these surfaces generally require a professional and are not "do-it-yourself" projects.
- ❑ Review surface specifications before purchasing this type of surfacing. Ask the installer/manufacturer for a report showing that the product has been tested to the following safety standard: ASTM F 1292 Standard Specification for Impact Attenuation of Surfacing Materials within the Use Zone of Playground Equipment. This report should show the specific height for which the surface is intended to protect against serious head injury. This height should be equal to or greater than the fall height – vertical distance between a designated play surface (elevated surface for standing, sitting, or climbing) and the protective surfacing below – of your play equipment.
- ❑ Check the protective surfacing frequently for wear.

### Placement

Proper placement and maintenance of protective surfacing is essential. Be sure to

- ❑ Extend surfacing at least 6 feet from the equipment in all directions.
- ❑ For to-fro swings, extend protective surfacing in front of and behind the swing to a distance equal to twice the height of the top bar from which the swing is suspended.
- ❑ For tire swings, extend surfacing in a circle whose radius is equal to the height of the suspending chain or rope, plus 6 feet in all directions.



<sup>9</sup> This information has been extracted from the CPSC publications "Playground Surfacing—Technical Information Guide" and "Handbook for Public Playground Safety." Copies of these reports can be obtained by sending a postcard to the: Office of Public Affairs, U.S. Consumer Product Safety Commission, Washington, D.C., 20207 or call the toll-free hotline: 1-800-638-2772

# Play Set Surfacing Recommendations:

Below are some of the recommendations that the U.S. Consumer Product Safety Commission (CPSC) offers from its Handbook for Public Playground Safety. The guide can be downloaded in full at [www.cpsc.gov/PageFiles/122149/325.pdf](http://www.cpsc.gov/PageFiles/122149/325.pdf)

**1. Protective Surfacing** - Since almost 60% of all injuries are caused by falls to the ground, protective surfacing under and around all playground equipment is the most critical safety factor on playgrounds.

Certain manufactured synthetic surfaces also are acceptable; however, test data on shock absorbing performance should be requested from the manufacturer.

Asphalt and concrete are unacceptable. They do not have any shock absorbing properties. Similarly, grass and turf should not be used. Their ability to absorb shock during a fall can be reduced considerably through wear and environmental conditions.

Certain loose-fill surfacing materials are acceptable. Surfacing materials are acceptable, such as the types and depths shown in the table.

## Fall Heights and Materials

Type Of Material	6 in. depth	9 in. depth	12 in. depth
Double-Shredded bark mulch	6' Fall Height	10' Fall Height	11' Fall Height
Wood Chips	6' Fall Height	7' Fall Height	12' Fall Height
Fine Sand	5' Fall Height	5' Fall Height	9' Fall Height
Shredded Tires*	10-12' Fall Height	N/A	N/A
Fine Gravel	6' Fall Height	7' Fall Height	10' Fall Height

\*This data is from tests conducted by independent testing laboratories on a 6-inch depth of uncompressed shredded tire samples produced by four manufacturers. The tests reported critical heights, which varied from 10 feet to greater than 12 feet. It is recommended that persons seeking to install shredded tires as a protective surface request test data from the supplier showing the critical height of the material when it was tested in accordance with ASTM F1292.

*It should be recognized that all injuries due to falls cannot be prevented no matter what surfacing material is used.*



**2. Fall Zones** - A fall zone, covered with a protective surfacing material, is essential under and around equipment where a child might fall. This area should be free of other equipment and obstacles onto which a child might fall. Stationary climbing equipment and slides should have a fall zone extending a Minimum of 6' in all directions from the perimeter of the equipment.

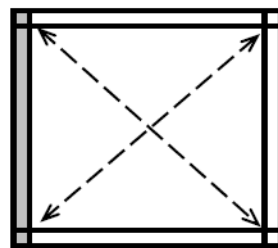
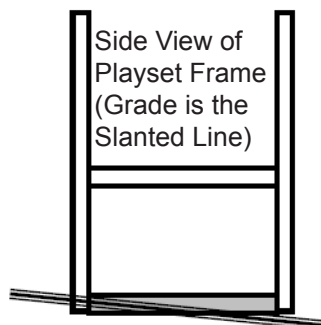
Swings should have a fall zone extending a minimum of 6' from the outer edge of the support structure on each side. The fall zone in front and back of the swing should extend out a minimum distance of twice the height of the swing as measured from the ground to the top of the swing support structure.

## LEVELING YOUR FORT DURING ASSEMBLY

- Complete the steps which will be the basic frame of the fort. {i.e. four corner posts with base (sand box boards) and deck supports}
- Position in the most level area chosen for the play set, keeping in mind the location and size of the swing beam, ladder, slides, etc. that extend off the fort.
- Once the frame is in the final position, check for vertical and horizontal levelness to determine which side(s) will need to be dug into the ground to level the play set.
- With a shovel, score the ground around the outside edges of the sandbox boards on the 'high' side of the fort. This is the area that will be dug in. Make sure to score deep enough; the scored lines will be your digging template.
- Push the frame off and away from the scored area, far enough to dig and remove dirt to reach the appropriate depth.
- Dig a channel along the scored line(s) for the base of the fort (corner post and sandbox boards) to rest into. Dig the channel(s) to the same level depth. The bottom of the channel(s) should be level to each other so your frame doesn't teeter or rock because the channel(s) are uneven.
- Once you have removed enough grass and dirt, slide/push the frame into the channel(s). Place a level on the vertical and horizontal boards of the frame to determine if enough soil, or too much, was removed.
- Repeat this process until the basic frame is plumb and level and in its final position before completing the rest of the assembly.
- Measure to make sure fort is square.

**Important: if you require a channel depth of more than 6", then we recommend you have your play set area professionally graded before completing assembly.**

*Example Play area:*

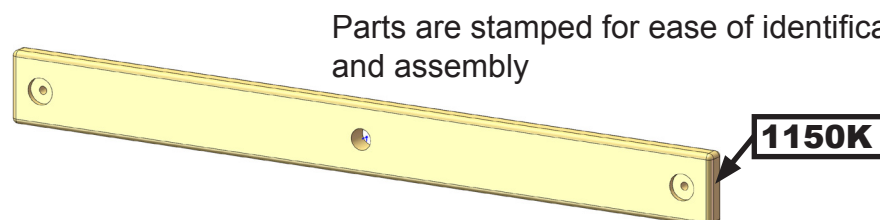


The diagonal measurements should be the same from corner post to corner post. If not, adjust corner posts so that the distance is equal.

■ = Area to be scored and channeled for levelness

# General Info to Review Before Installation

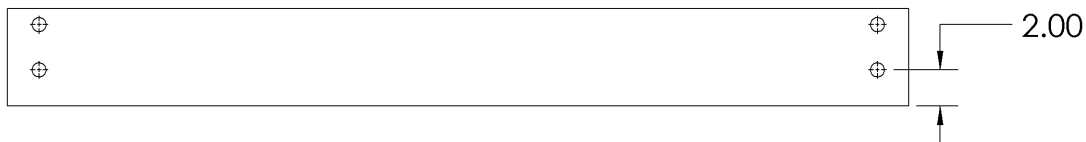
- Depending on your experience, assembly of the playset can take as little as 6 hours up to 24 hours, depending on size, after inventory of parts; therefore, we recommend you set aside a full two days for assembly.
- Identify all of the parts for your play set. Empty each box and lay out boards so you can see each part. Your instruction book will have detailed drawings that will make it easy for you to recognize individual parts. Keep all hardware and metal parts separate from wooden pieces.
- After everything is laid out, check carefully to ensure all parts are present. Make sure there are no broken boards.
- Find an area to sort your hardware. It is best to open the hardware on a solid surface so that you do not lose any pieces in the grass. This will save time and familiarize you with all the different pieces in the hardware bag.
- Important note: Wood has some natural defects such as knots, surface cracks, etc... We reject parts that are structurally defective. We use a high quality lumber in our structures; however, you should inspect each part for splinters or rough spots and sand them smooth to prevent injury.
- After familiarizing yourself with all of the components, read all instructions thoroughly. Reading instructions after you have studied the parts will help you understand the installation process, and help to eliminate unnecessary mistakes.
- Pay close attention to the diameter and length of each bolt and screw.
- Never tighten hardware completely at first. It helps to have some adjustment for bolt alignment while you are attaching parts together. After everything is square, tighten each joint.
- After the main unit is assembled it is critical that the floor is level and square. If the main frame is not level, the walls and floor will be out of square.
- After you complete installation, make sure every bolt, screw, and nut is tight, and every board is secure. Wood will expand and contract with the seasons.
- Place the set on level ground, not less than 6 feet from any structure or obstruction such as a fence, garage, house, overhanging branches, laundry lines, or electrical wires.



**This page is a list of definitions and explanations used throughout our instructions to aid you in the assembly of your play set.**

**Offset Holes-** Throughout the installation procedures we will refer to parts with offset holes. This refers to the orientation of the holes on the board. An offset hole is one that is closer to one side than it is the other or in other words, it is not centered on the board. In the procedures you will be instructed to attach the boards with the holes offset up or with the holes offset down. This refers to which side of the board the hole/holes should be closer to. Offset holes up= hole/holes will be closer to the top of the board. Offset holes down= hole/holes will be closer to the bottom of the board. Note: some parts do not have offset holes, but instead the holes are on center. Therefore there will not be any reference on how to offset these parts.

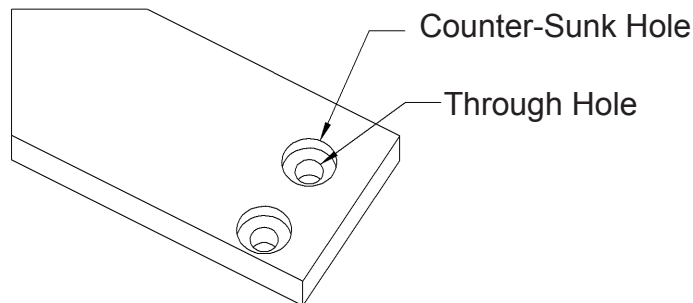
**EXAMPLE OF OFFSET HOLES UP**



**EXAMPLE OF OFFSET HOLES DOWN**



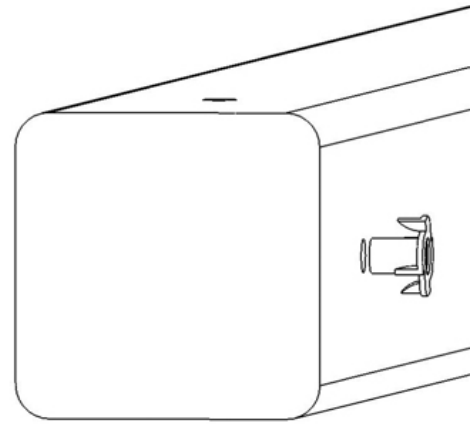
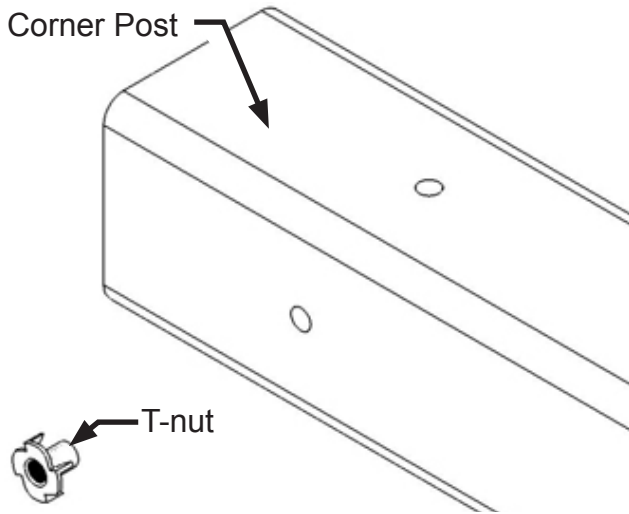
**Counter-sunk holes** - Many of the parts that will be used have counter-sunk holes. A counter-sunk hole is one that surrounds one side of a through hole, but does not extend through the wood it's self. When using a counter-sunk hole the bolt will be inserted through the through hole and either the head of the bolt and washer or nut and washer will occupy the counter sunk hole.



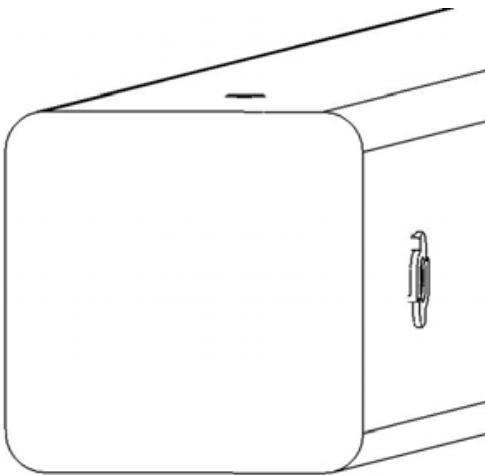
**Lag Screws-** Lag screws are used in the construction of our play sets to enhance the structural integrity of the unit. There will not be predrilled holes in the post for lag screw installation. Lag screws are self-tapping, though if you are using a manual socket wrench it may be advantageous to pre-drill a hole first. Instructions for this are provided on a separate page in the front of the manual. Be sure to tighten the lags completely when driving them in by hand. Power tools such as a heavy duty impact driver or large power drill should have enough torque to drive in the lag screws, but make sure not to over tighten as this can cause the threads to “strip out” in the post.

# Common Installation Practice Installing T-nuts

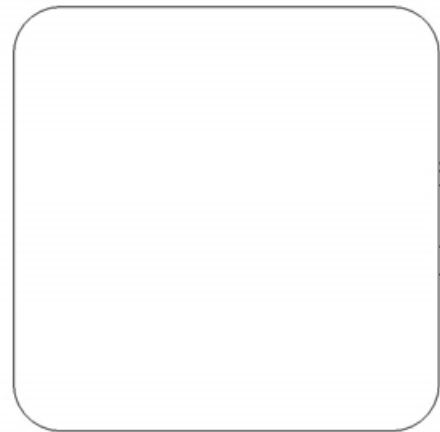
When installing T-nuts into the wood, use a smooth faced hammer to set the face of the T-nut flush into the wood.



Insert the barrel of the T-nut into the predrilled hole. Using a smooth faced hammer, drive the T-nut until the face of the T-nut is flush to the wood.

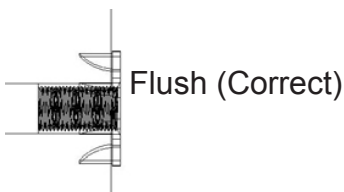


This picture shows the T-nut inserted and installed flush to the wood.



This picture shows an end view of the T-nut installed flush to the wood.

**WARNING: DO NOT EMBED THE TOP OF THE T-NUT INTO THE FACE OF THE WOOD**



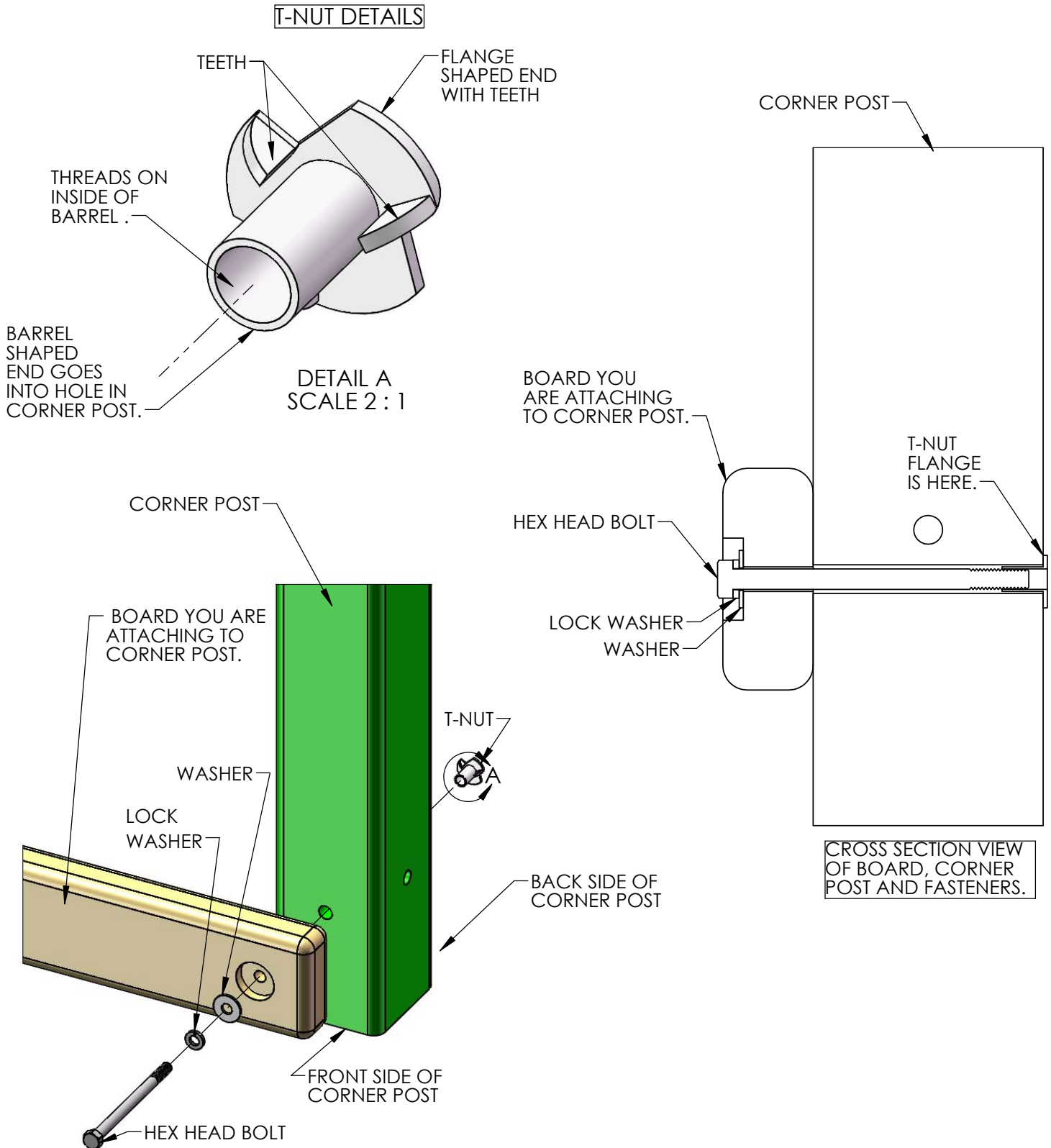
Cross Section end view, you are looking at an X-ray view of the post and T-nut. The barrel of the T-nut is in the corner post the line is the face of the wood.

# HOW A T-NUT WORKS

USUALLY THE FIRST STEP IN OUR ASSEMBLY INSTRUCTIONS IS TO INSERT T-NUTS INTO THE CORNER POSTS. A T-NUT IS A FASTENER WHICH IS THREADED ON THE INSIDE AND IT FUNCTIONS JUST LIKE A STANDARD HEX NUT. YOU INSERT THE T-NUTS INTO THE PREDRILLED HOLES IN THE CORNER POSTS.

THE T-NUT HAS A BARREL SHAPED END WHICH GOES INTO THE HOLE IN THE CORNER POST. THE T-NUT ALSO HAS A FLANGE SHAPED END WITH TEETH. THE TEETH PENETRATE INTO THE CORNER POST WOOD TO PREVENT THE T-NUT FROM SPINNING WHEN YOU TIGHTEN THE HEX HEAD BOLT.

SHOWN BELOW YOU WILL SEE THE T-NUT IS HAMMERED INTO THE CORNER POST ON THE BACK SIDE. THE BOARD IS BEING ATTACHED ON THE FRONT SIDE OF THE CORNER POST.



# SWING BEAM LOADING

## Weight Limits for Accessories:

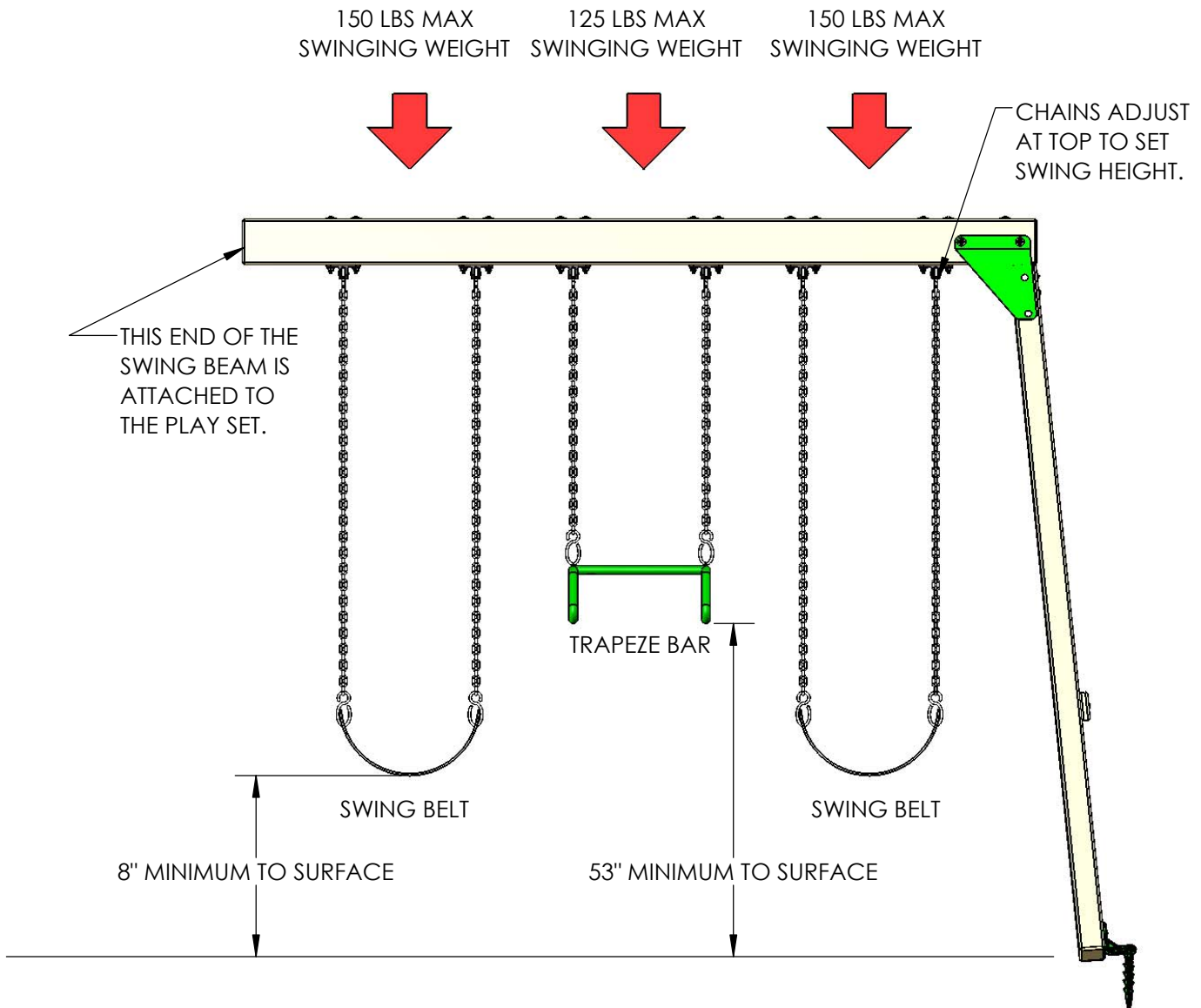
The weight limit for a Swing Belt is 225 lbs. (Although 150lbs is the maximum recommended swinging weight capacity for the swing position.)

The weight limit for a Trapeze Bar is 125 lbs.

## Maximum Allowable swinging weight for a three position swing:

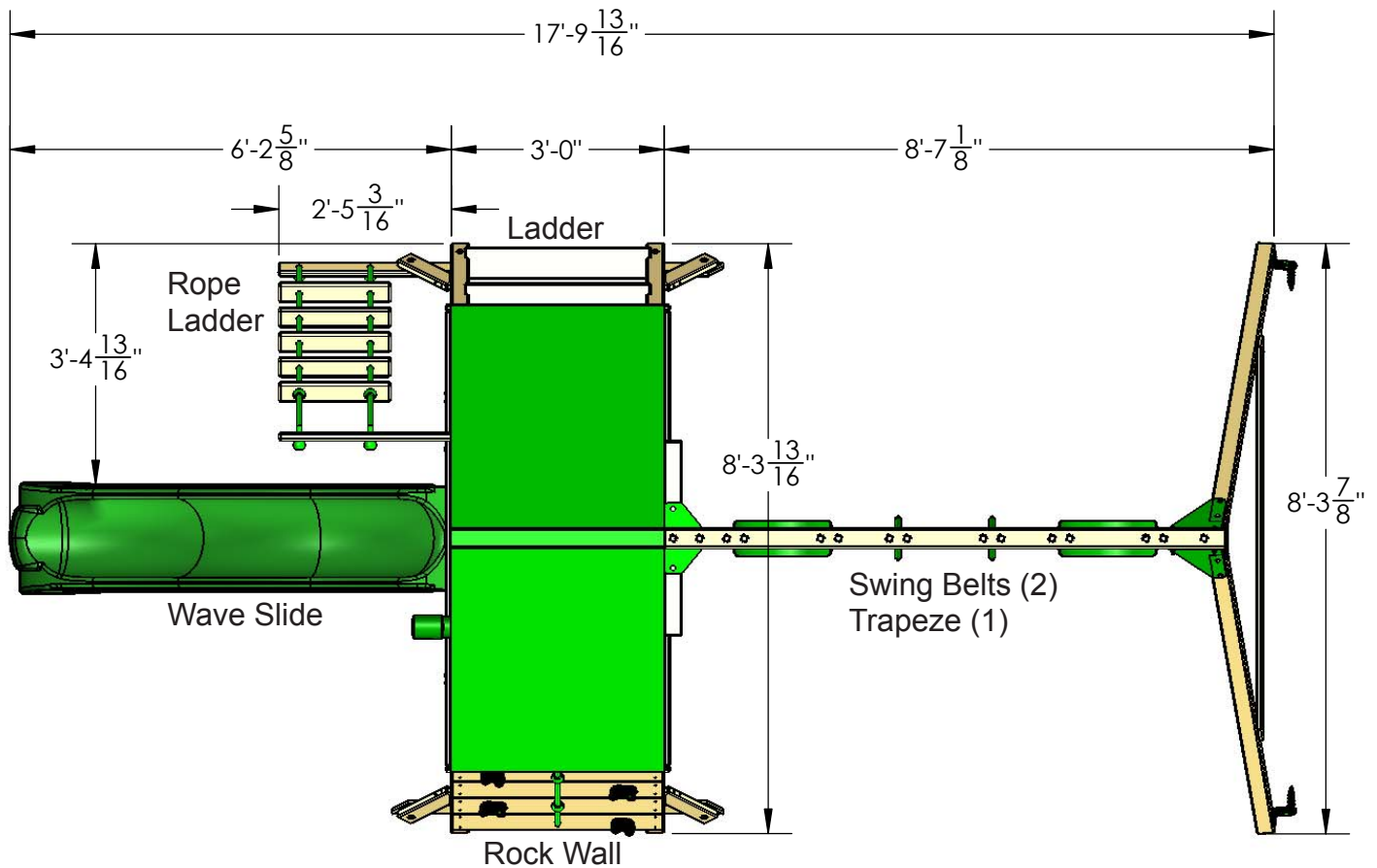
- 1) The maximum allowable swinging weight at each Swing Belt position is 150 lbs.
- 2) The maximum allowable swinging weight at the Trapeze position is 125 lbs.
- 3) The **MAXIMUM SWING BEAM LOAD IS 425 lbs.**

### **MAXIMUM SWING BEAM LOAD IS 425 LBS.**



**Please familiarize yourself with the manual, parts/components and general construction process of your new playset before getting started.**

**SITE PLAN:**

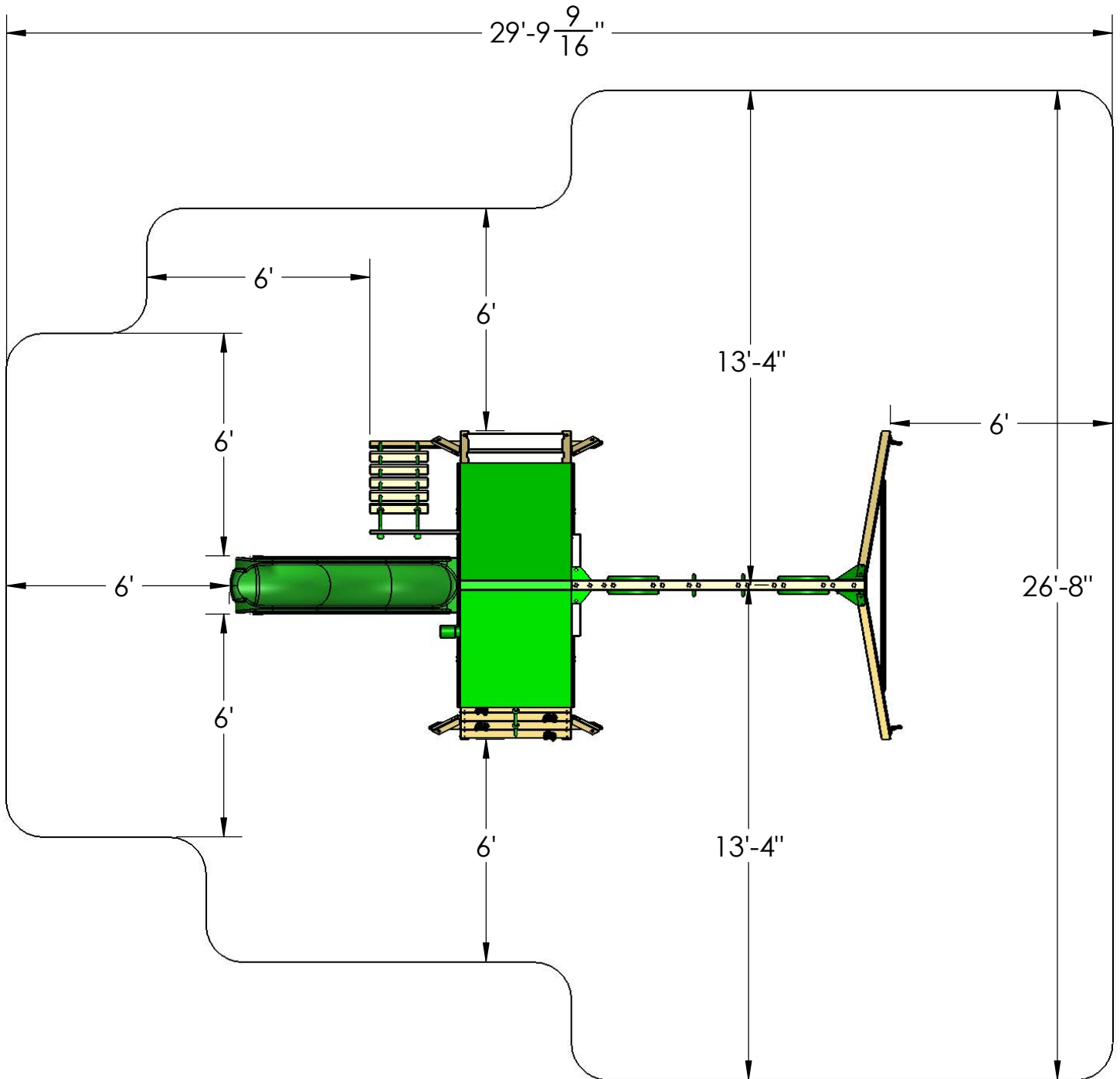


Playset height: 9 feet - 1-1/2 inches  
Swing Beam height: 7 feet - 4-3/4 inches  
Deck height: 4 feet  
Deck Size: 4 feet X 3 feet - 2 inches

Approximate assembly time: 6 to 10 hours

**(6) foot unobstructed safety perimeter around playset recommended**

# SAFETY ZONE



**(6) foot unobstructed safety perimeter around playset recommended**



**REQUIRED TOOL LIST:**

- \_\_\_ Standard or Cordless Drill w/ Phillips Bit (#2 square bit provided)
- \_\_\_ Drill Bits 1/8", 3/8"
- \_\_\_ 9/16" Deep Well Socket
- \_\_\_ 9/16" Wrench and Socket
- \_\_\_ Level
- \_\_\_ Tape Measure
- \_\_\_ Extension Cord (if using standard drill)
- \_\_\_ Hammer
- \_\_\_ Pencil
- \_\_\_ Locking Pliers (Vise Grips)
- \_\_\_ Shovel

**KIT CONTENTS:****Swings, Slides, Accessories:**

- \_\_\_ (Qty ) Description
- \_\_\_ (2) Swingbelts w/ Chains
- \_\_\_ (1) Trapeze Bar w/ Chains
- \_\_\_ (1) Wave Slide
- \_\_\_ (8) Rock Wall Grips (assorted colors)
- \_\_\_ (1) Punching Ball
- \_\_\_ (1) Tic Tac Toe
- \_\_\_ (1) Telescope
- \_\_\_ (2) Plastic Safety Handles (pair)
- \_\_\_ (1) Plastic Ground Stakes (pair)
- \_\_\_ (1) Safety Warning Plate
- \_\_\_ (1) Tarp 36" x 117"

**Fort Hardware:**

*see following pages*

**Swing Beam Hardware:**

*see following pages*

**Wood Components:**

*see following pages*

#8 X 1-1/4"  
 WOOD SCREW 1325Z  
 QTY: 28



#8 X 1-1/2"  
 WOOD SCREW 1701Z  
 QTY: 33



#8 X 2"  
 WOOD SCREW 1342Z  
 QTY: 78



#8 X 2-1/2"  
 WOOD SCREW 1327Z  
 QTY: 32



#8 X 3"  
 WOOD SCREW 1077Z  
 QTY: 12



#8 X 3-1/2"  
 WOOD SCREW 1721Z  
 QTY: 22



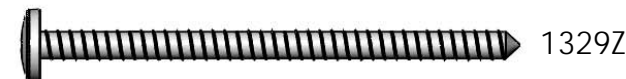
#14 X 1"  
 PAN HEAD  
 SCREW 1711Z  
 QTY: 6



#14 X 1-1/2"  
 PAN HEAD  
 SCREW 1712Z  
 QTY: 3



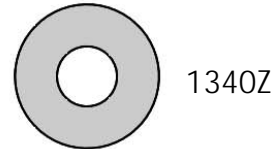
#14 X 2-1/2"  
 PAN HEAD  
 SCREW 1329Z  
 QTY: 2



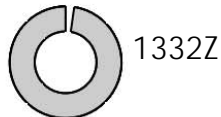
1/4" SPLIT  
 LOCK WASHER 1341Z  
 QTY: 2



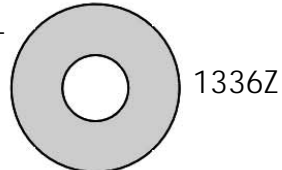
1/4" FLAT  
 WASHER 1340Z  
 QTY: 6



5/16" SPLIT  
 LOCK WASHER 1332Z  
 QTY: 44



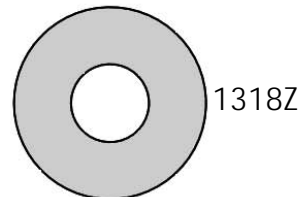
5/16" FLAT  
 WASHER 1336Z  
 QTY: 44



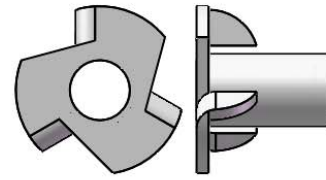
3/8" LOCK  
 NUT 1320Z  
 QTY: 30



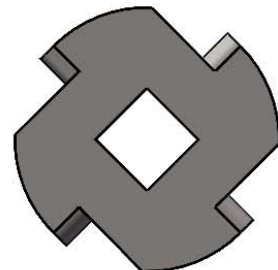
3/8" FLAT  
 WASHER 1318Z  
 QTY: 32



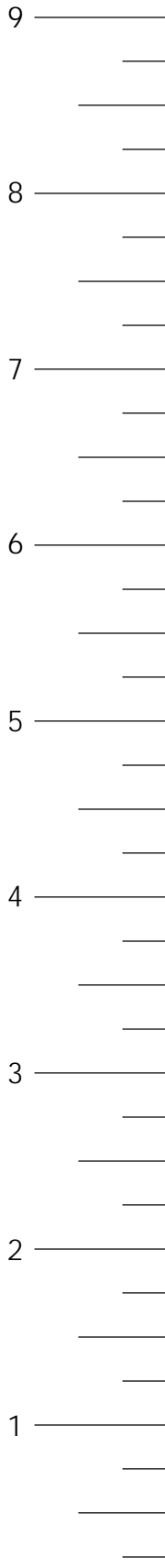
#2 SQUARE  
 DRIVE BIT FS 2824  
 QTY: 1



5/16" T-NUT  
 QTY: 41  
 1381Z



3/8" TORQUE  
 WASHER  
 QTY: 20  
 1370Z



USE THE RULER TO THE RIGHT TO MEASURE YOUR BOLTS AND SCREWS. PICTURE VIEWS SHOWN ABOVE ARE 1:1 SCALE AND CAN BE USED TO MATCH BOLT AND SCREW SIZES.



1475Z

3/8" X 8-1/2"  
 CARRIAGE BOLT  
 QTY: 1



1368Z

3/8" X 6-1/2"  
 CARRIAGE BOLT  
 QTY: 14



1367Z

3/8" X 6"  
 CARRIAGE BOLT  
 QTY: 2



1375Z

3/8" X 4-1/2"  
 CARRIAGE BOLT  
 QTY: 2



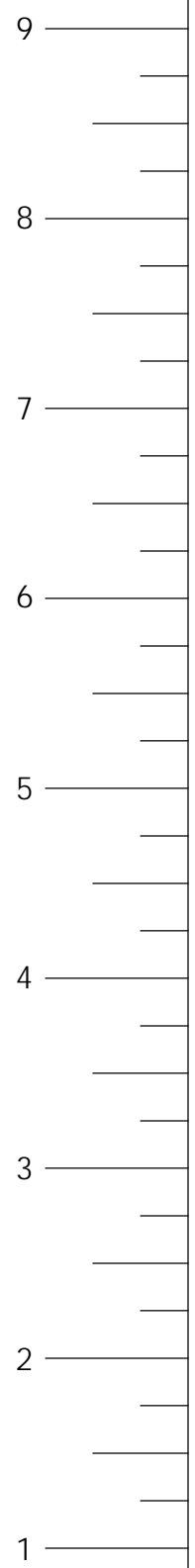
1384Z

3/8" X 3-3/4"  
 CARRIAGE BOLT  
 QTY: 6



1478Z

3/8" X 3"  
 CARRIAGE BOLT  
 QTY: 4



USE THE RULER TO THE RIGHT TO MEASURE YOUR BOLTS AND SCREWS. PICTURE VIEWS SHOWN ABOVE ARE 1:1 SCALE AND CAN BE USED TO MATCH BOLT AND SCREW SIZES.

5/16" X 5-1/2"  
HEX BOLT  
QTY: 4



9

5/16" X 4-1/2"  
HEX BOLT  
QTY: 16



8

5/16" X 4"  
HEX BOLT  
QTY: 2



7

5/16" X 3-3/4"  
HEX BOLT  
QTY: 12



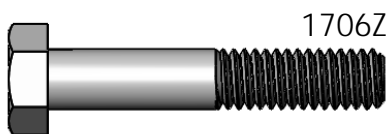
6

5/16" X 2"  
HEX BOLT  
QTY: 4



5

5/16" X 1-3/4"  
HEX BOLT  
QTY: 2



4


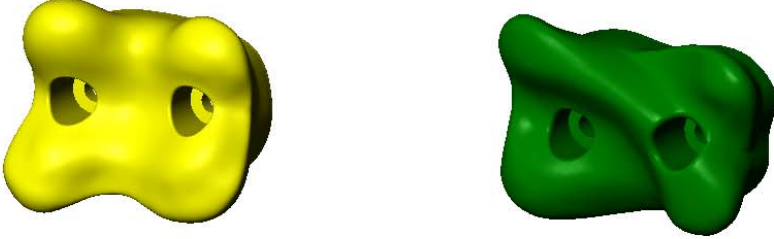

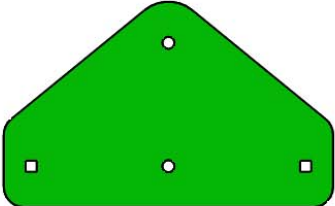
3

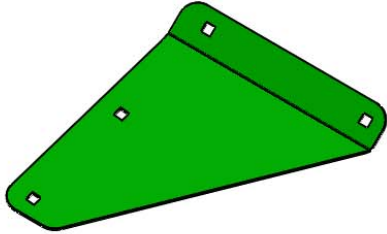
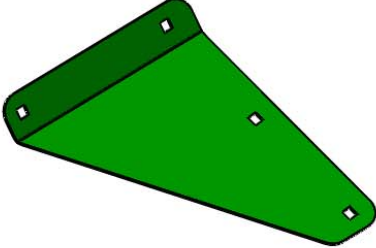
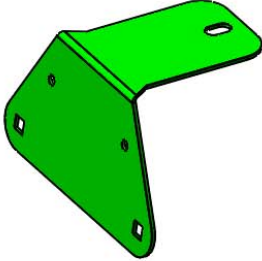
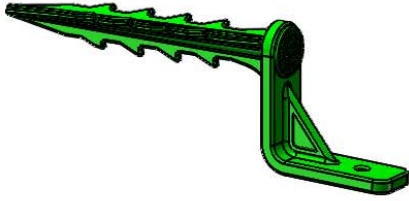
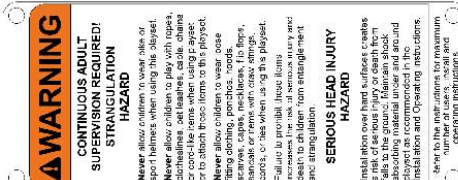
2

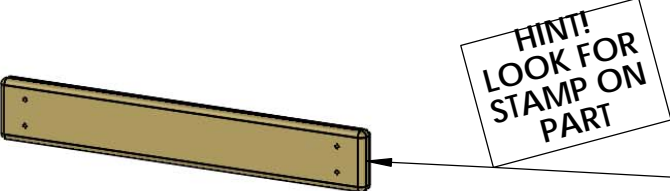
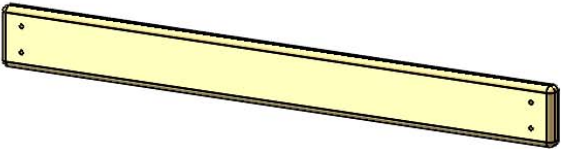
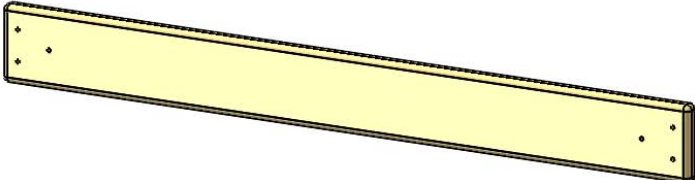
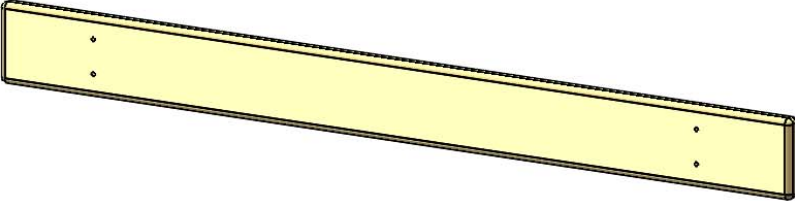
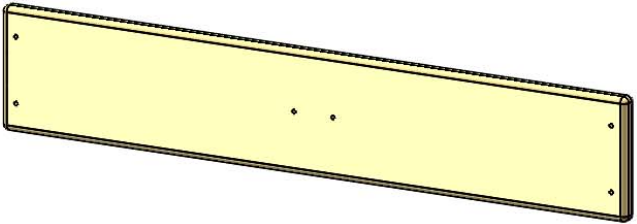
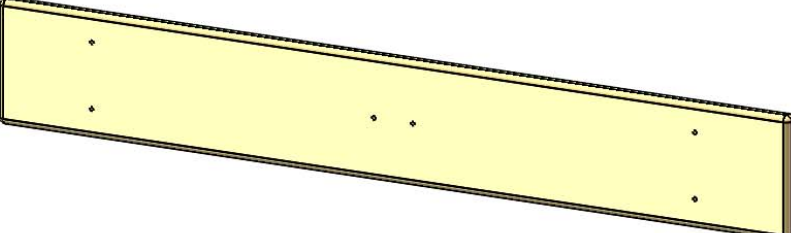
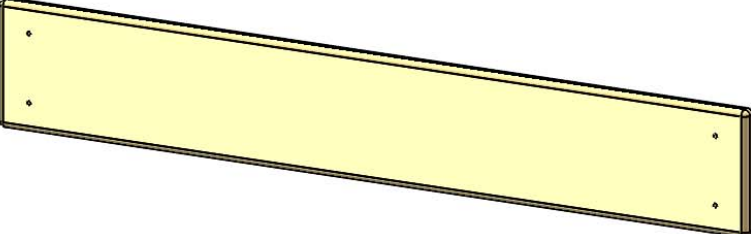
1

USE THE RULER TO THE RIGHT TO MEASURE YOUR BOLTS AND SCREWS. PICTURE VIEWS SHOWN ABOVE ARE 1:1 SCALE AND CAN BE USED TO MATCH BOLT AND SCREW SIZES.

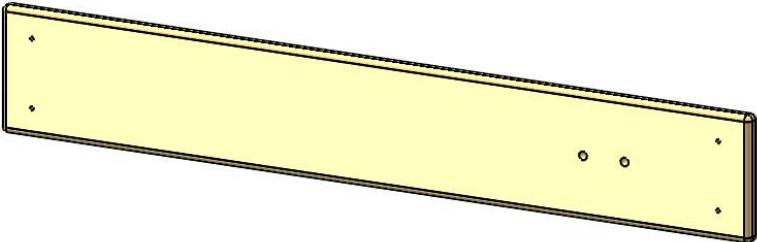
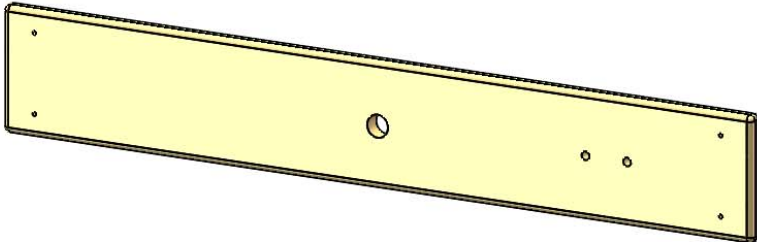
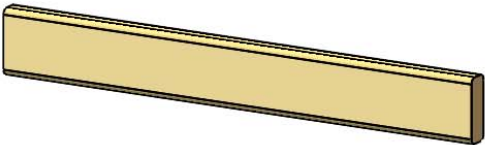
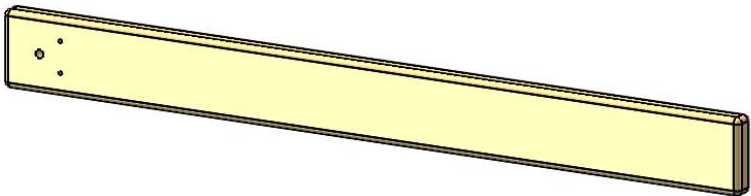
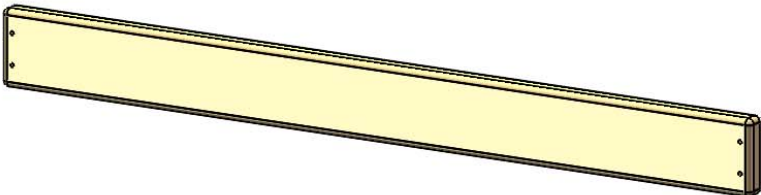
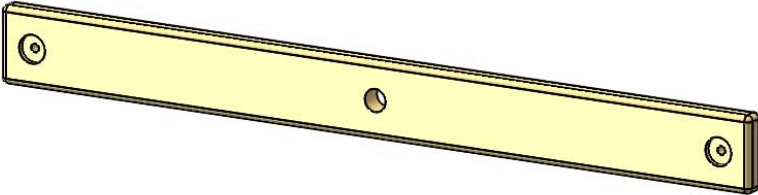
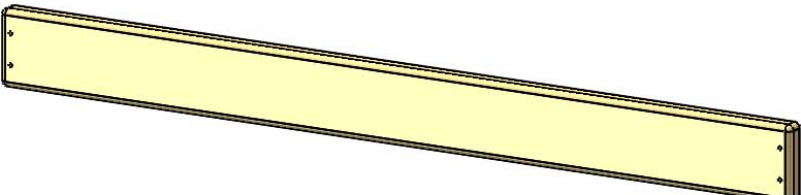
PICTURE	DESCRIPTION	QTY.
	<p>WAVE SLIDE <b>03-0016-G</b></p>	<p>1</p>
	<p>36" X 117" TARP <b>05-0008</b></p>	<p>1</p>
	<p>SWING BELT WITH CHAINS <b>04-0002</b></p>	<p>2</p>
	<p>TRAPEZE SWING WITH CHAINS <b>04-0006</b></p>	<p>1</p>
	<p>PUNCHING BALL <b>04-0027-G</b></p>	<p>1</p>
	<p>TIC TAC TOE (UNASSEMBLED) <b>01-0010</b></p>	<p>1</p>
	<p>TELESCOPE W/ COMPASS <b>07-0037-G</b> <b>WS 4610</b></p>	<p>1</p>

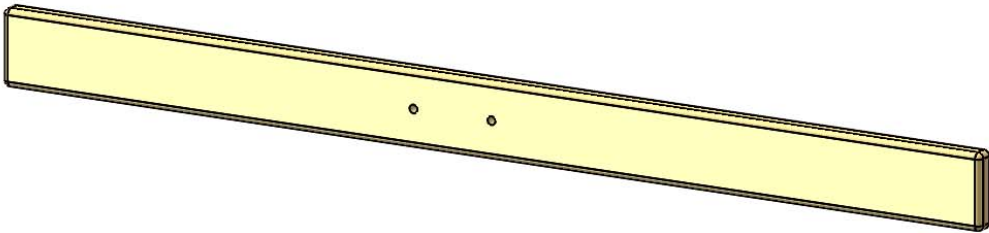
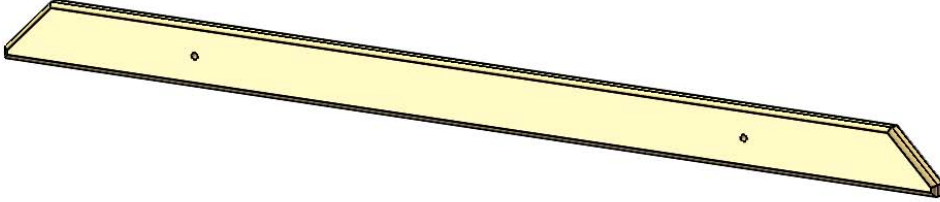
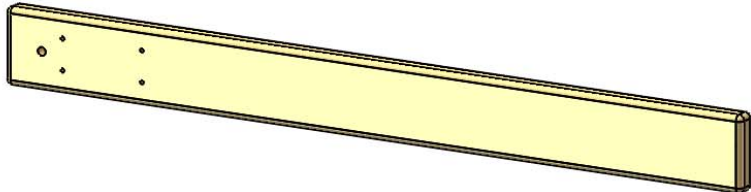
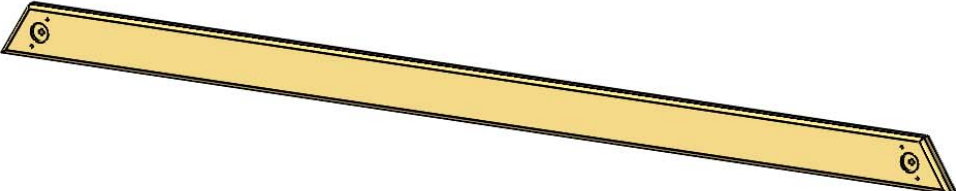
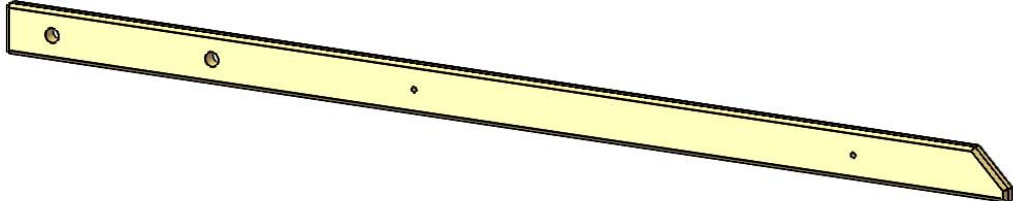
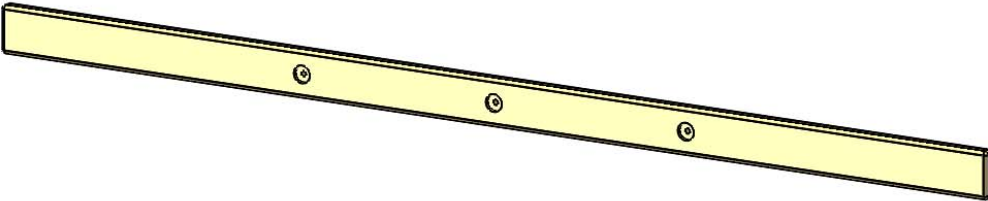
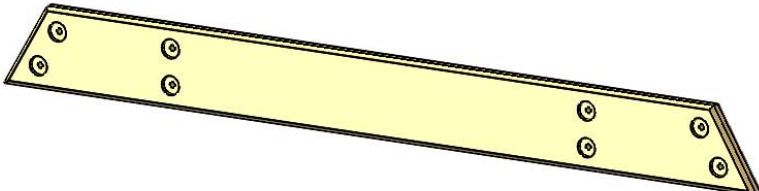
PICTURE	DESCRIPTION	QTY.
	PLASTIC SAFETY HANDLES (PAIR) <b>07-0005</b>	2 pr
	ROCK WALL ROCKS (COLOR & SIZE MAY VARY) <b>07-0038-G/Y</b> <b>WS 4545</b>	8 rocks
	SPRING CLIP <b>11-4003</b>	1
<p>(CHAIN NOT SHOWN)</p>	CHAIN <b>08-1002</b>	1 ft
	IRON DUCTILE SWING HANGER <b>11-4012</b>  IRON DUCTILE SWING HANGER <b>11-4024</b>	1  6
<p>(3/4" DIAMETER ROPE NOT SHOWN)</p>	13 FT. ROPE-ROPE LADDER <b>10-1008</b>	3 PCS.
	SWING BEAM PLATE <b>11-5025</b> <b>2411</b>	1

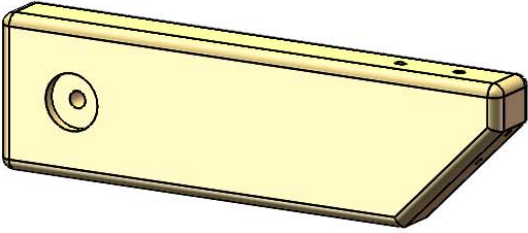
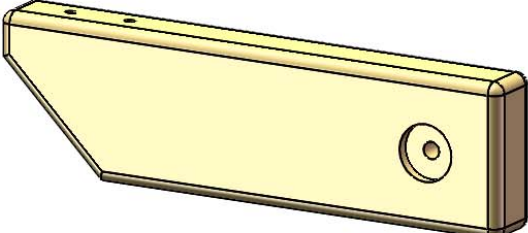
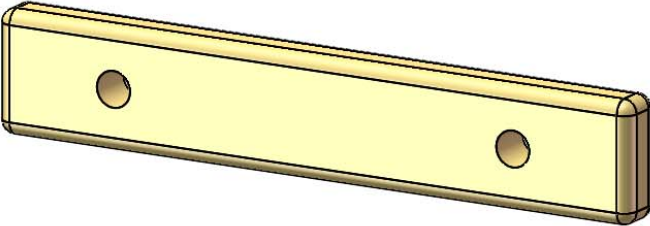
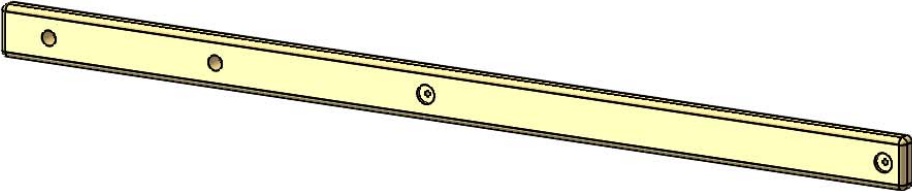
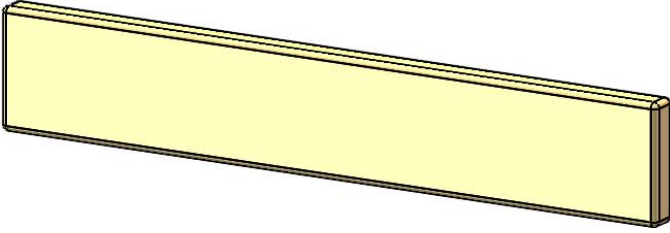
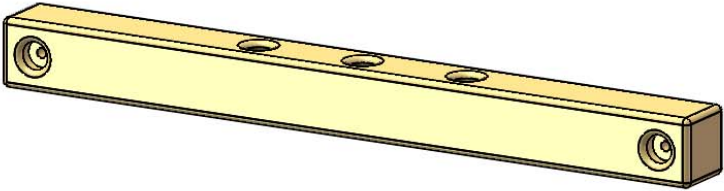
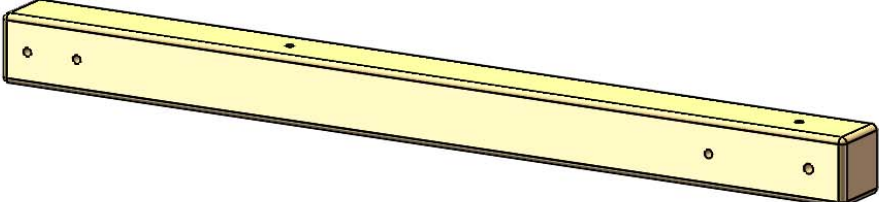
PICTURE	DESCRIPTION	QTY.
	SWING BEAM ANGLED PLATE RIGHT <b>11-5019</b> <b>2447</b>	1
	SWING BEAM ANGLED PLATE LEFT <b>11-5020</b> <b>2448</b>	1
	SWING BEAM 90° PLATE <b>11-5021</b> <b>2449</b>	1
	PLASTIC GROUND STAKES (PAIR) <b>07-0016-P</b>	1 pr
(NOT SHOWN)	LOGO PLATE <b>11-4018</b>	1
(NOT SHOWN)	1150 HARDWARE KIT <b>11-0096</b>	1
	SAFETY WARNING PLATE <b>11-5023</b> <b>SA 4294</b>	1

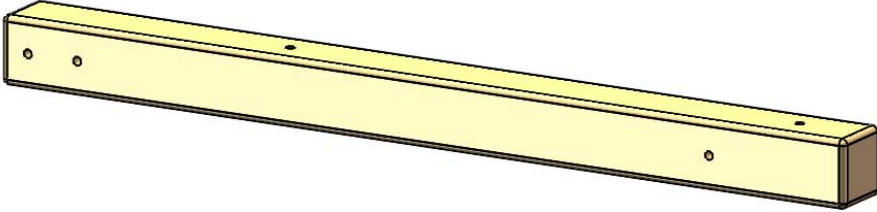
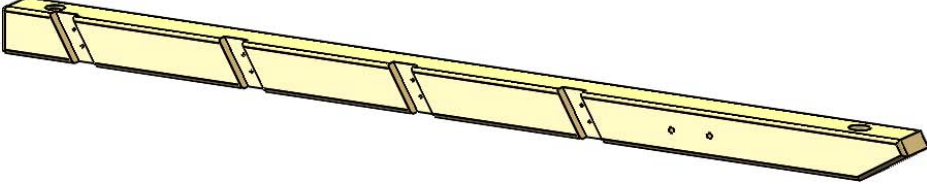
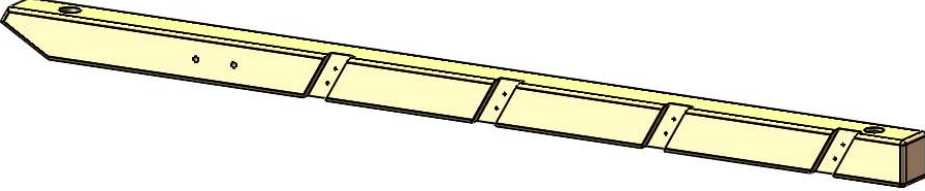
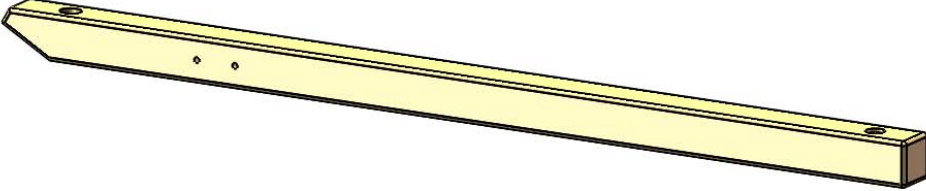
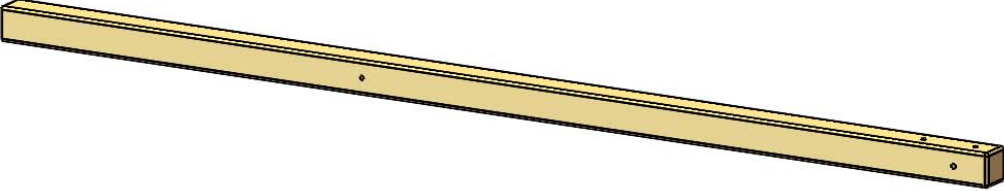
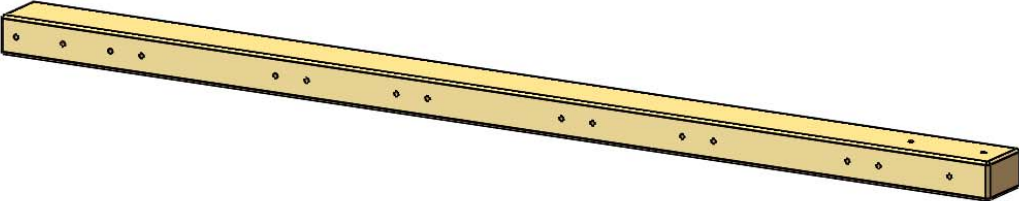
	PICTURE	STAMPED ID & DESCRIPTION	QTY.
1150		1 X 3 X 17-1/2" TIC TAC TOE MOUNT <b>1150AG</b>	2
		1 X 3 X 26-1/2" PANEL SLAT <b>1150A</b>	4
		1 X 4 X 33" REAR BOTTOM PANEL BOARD <b>1150B</b>	1
		1 X 4 X 38" CENTER DECK BOARD <b>1150C</b>	1
		1 X 6 X 30" DECK SPACER <b>1150D</b>	4
		1 X 6 X 38" DECK BOARD <b>1150E</b>	4
		1 X 6 X 36" ROCK WALL SPACER BOARD <b>1150F</b>	1



PICTURE	STAMPED ID & DESCRIPTION	QTY.
	1 X 6 X 36" ROCK WALL BOARD <b>1150G</b>	7
	1 X 6 X 36" BOTTOM ROCK WALL BOARD <b>1150H</b>	1
	5/4 X 3 X 22-1/2" SLIDE BLOCK <b>1150AH</b>	1
	5/4 X 4 X 35-3/8" FRONT CENTER POST <b>1150I</b>	1
	5/4 X 4 X 36" CENTER TARP BOARD <b>1150J</b>	1
	5/4 X 4 X 36" ROCK WALL ROPE SUPPORT <b>1150K</b>	1
	5/4 X 4 X 38" TARP BOARD <b>1150L</b>	2

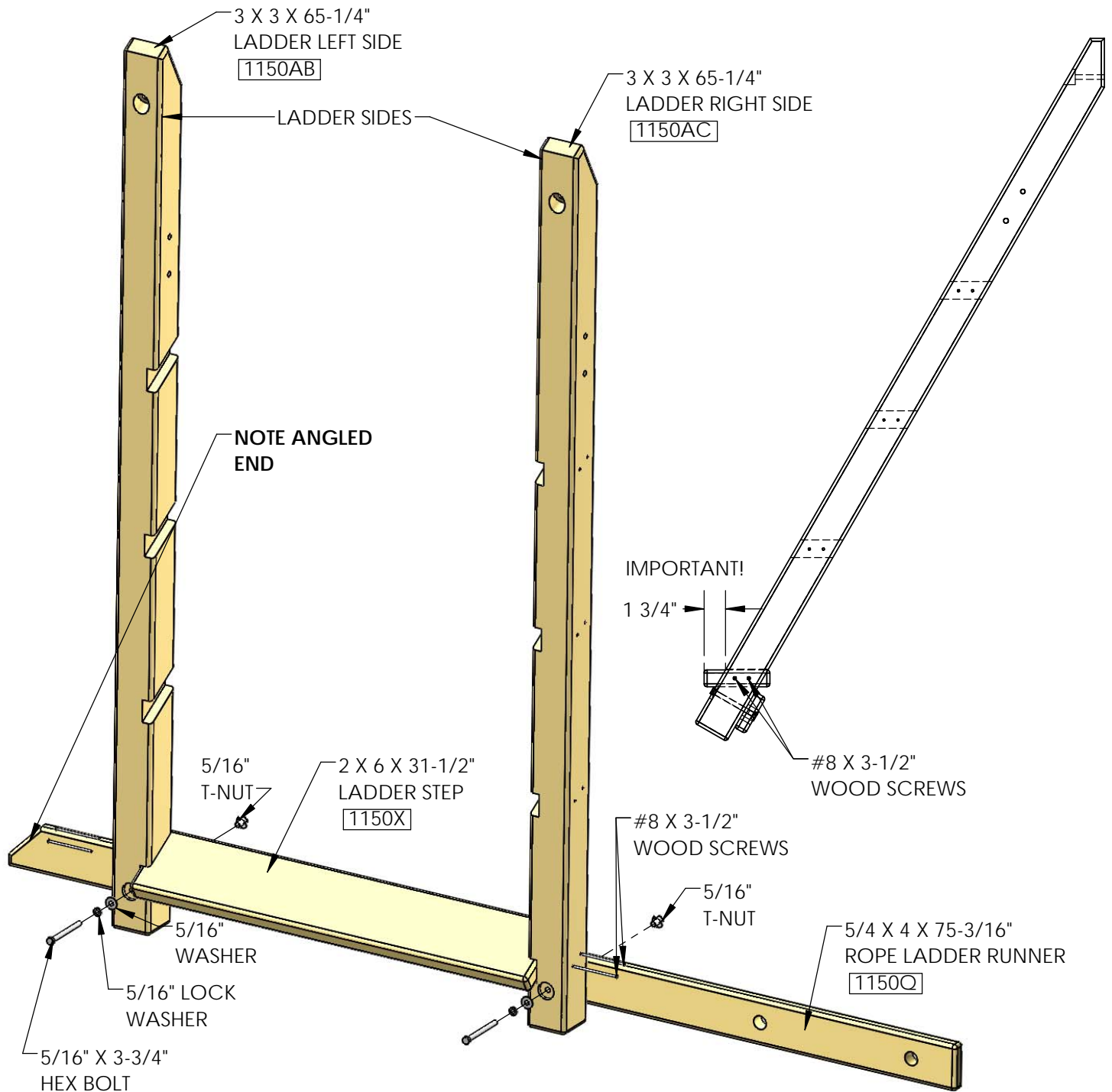
PICTURE	STAMPED ID & DESCRIPTION	QTY.
	5/4 X 4 X 47" CENTER DECK SUPPORT <b>1150M</b>	1
	5/4 X 4 X 56" ROCK WALL BOTTOM SUPPORT <b>1150N</b>	1
	5/4 X 4 X 35-38" REAR CENTER POST <b>1150O</b>	1
	5/4 X 4 X 68-1/2" CROSS MEMBER <b>1150P</b>	1
	5/4 X 4 X 75-3/16" ROPE LADDER RUNNER <b>1150Q</b>	1
	5/4 X 4 X 77" SIDE RAIL <b>1150R</b>	2
	5/4 X 6 X 54-1/4" FORT SUPPORT <b>1150S</b>	4

PICTURE	STAMPED ID & DESCRIPTION	QTY.
	2 X 4 X 12" ANGLE SUPPORT LEFT SIDE <b>1150T</b>	2
	2 X 4 X 12" ANGLE SUPPORT RIGHT SIDE <b>1150U</b>	2
	2 X 4 X 19" ROPE LADDER STEP <b>1150V</b>	5
	2 X 4 X 65-3/16" ROPE LADDER SUPPORT <b>1150W</b>	1
	2 X 6 X 31-1/2" STEP <b>1150X</b>	4
	3 X 3 X 33" SWING BEAM MOUNT <b>1150Y</b>	1
	3 X 3 X 40-1/2" CORNER POST RIGHT <b>1150Z</b>	2

PICTURE	STAMPED ID & DESCRIPTION	QTY.
	3 X 3 X 40-1/2" CORNER POST LEFT <b>1150AA</b>	2
	3 X 3 X 65-1/4" LADDER LEFT SIDE <b>1150AB</b>	1
	3 X 3 X 65-1/4" LADDER RIGHT SIDE <b>1150AC</b>	1
	3 X 3 X 65-1/4" ROCK WALL SIDE <b>1150AD</b>	2
	3 X 3 X 95" SWING LEG <b>1150AE</b>	2
	4 X 6 X 95" SWING BEAM <b>1150AF</b>	1
		26

# STEP 1: LADDER

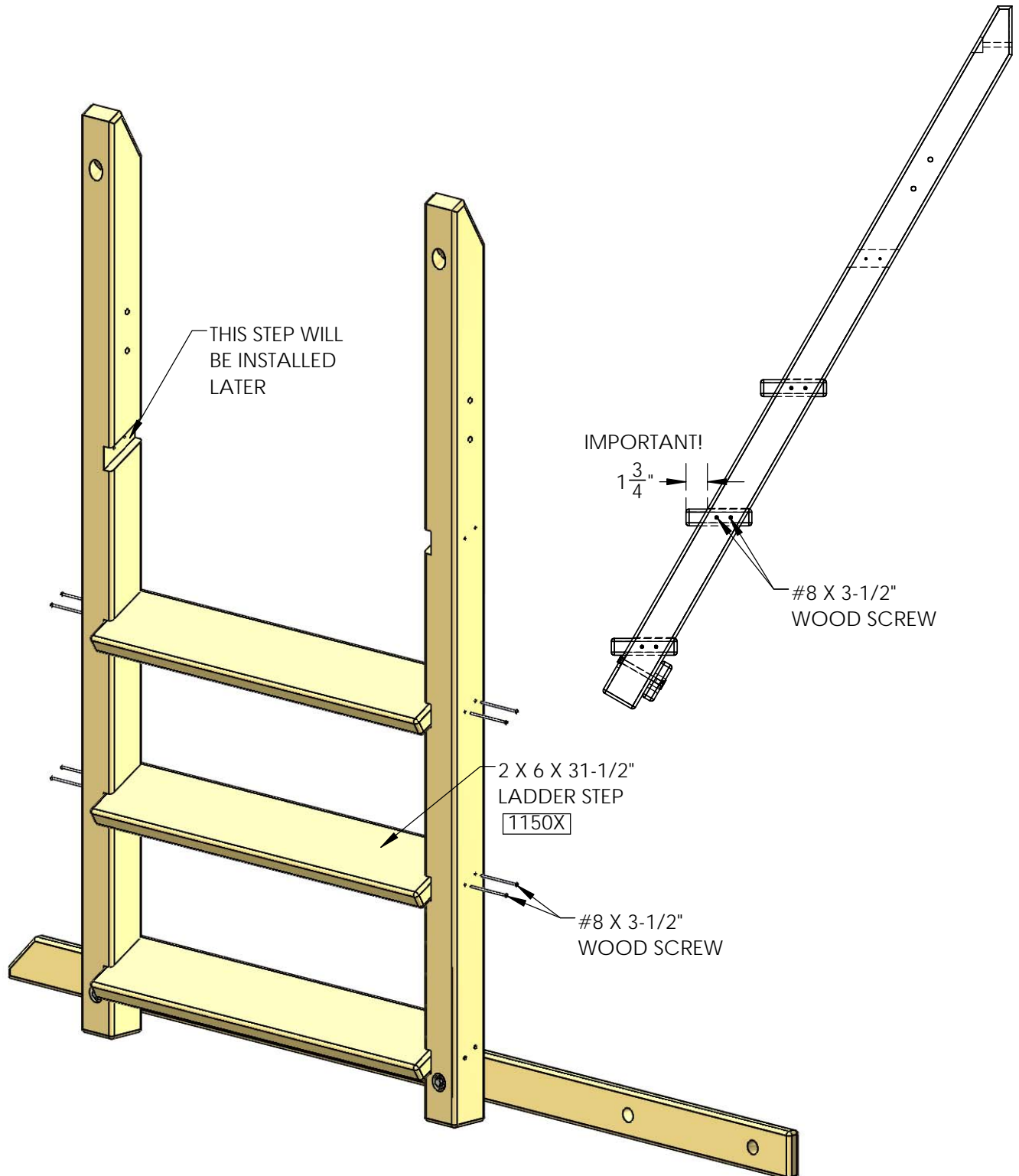
- 1: HAMMER TWO T-NUTS INTO THE BACK SIDE OF THE ROPE LADDER RUNNERS.
- 2: FASTEN THE LADDER SIDES TO THE ROPE LADDER RUNNER AS SHOWN.
- 3: PLACE A LADDER STEP INTO THE LOWEST NOTCH IN THE LADDER SIDES. MAKE THE FRONT EDGE OF THE LADDER STEP STICK OUT 1-3/4" BEYOND THE FRONT FACE OF THE LADDER SIDES.
- 4: FASTEN THE LADDER STEP AS SHOWN.



## STEP 2: ASSEMBLING THE LADDER

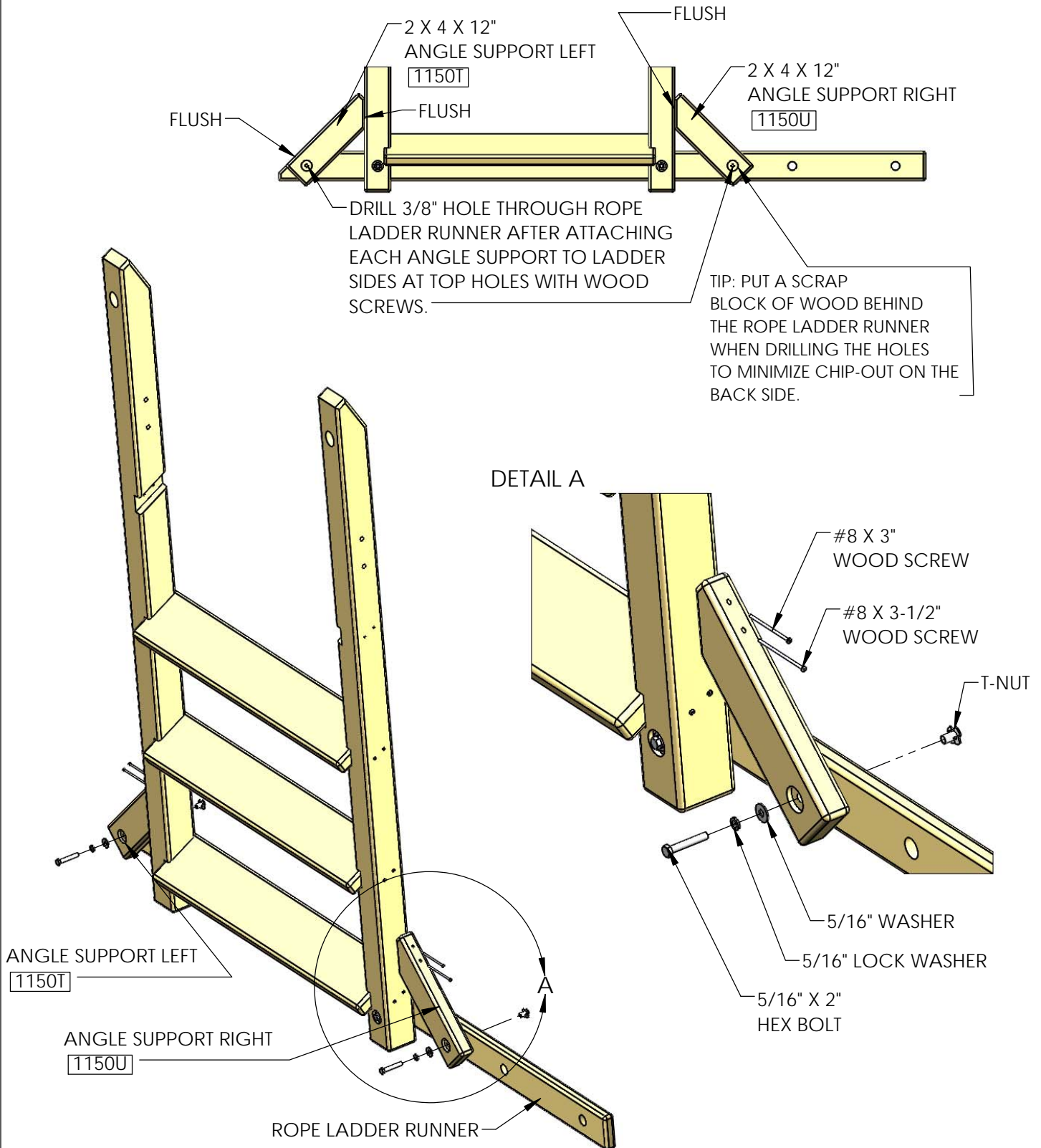
1: PLACE THE NEXT TWO LADDER STEPS INTO THE NOTCHES AS SHOWN.

2: MAKE THE FRONT EDGE OF THE LADDER STEP STICK OUT 1-3/4" BEYOND THE FRONT FACE OF THE LADDER SIDES AS SHOWN. FASTEN THE LADDER SIDES TO THE LADDER STEPS AS SHOWN.



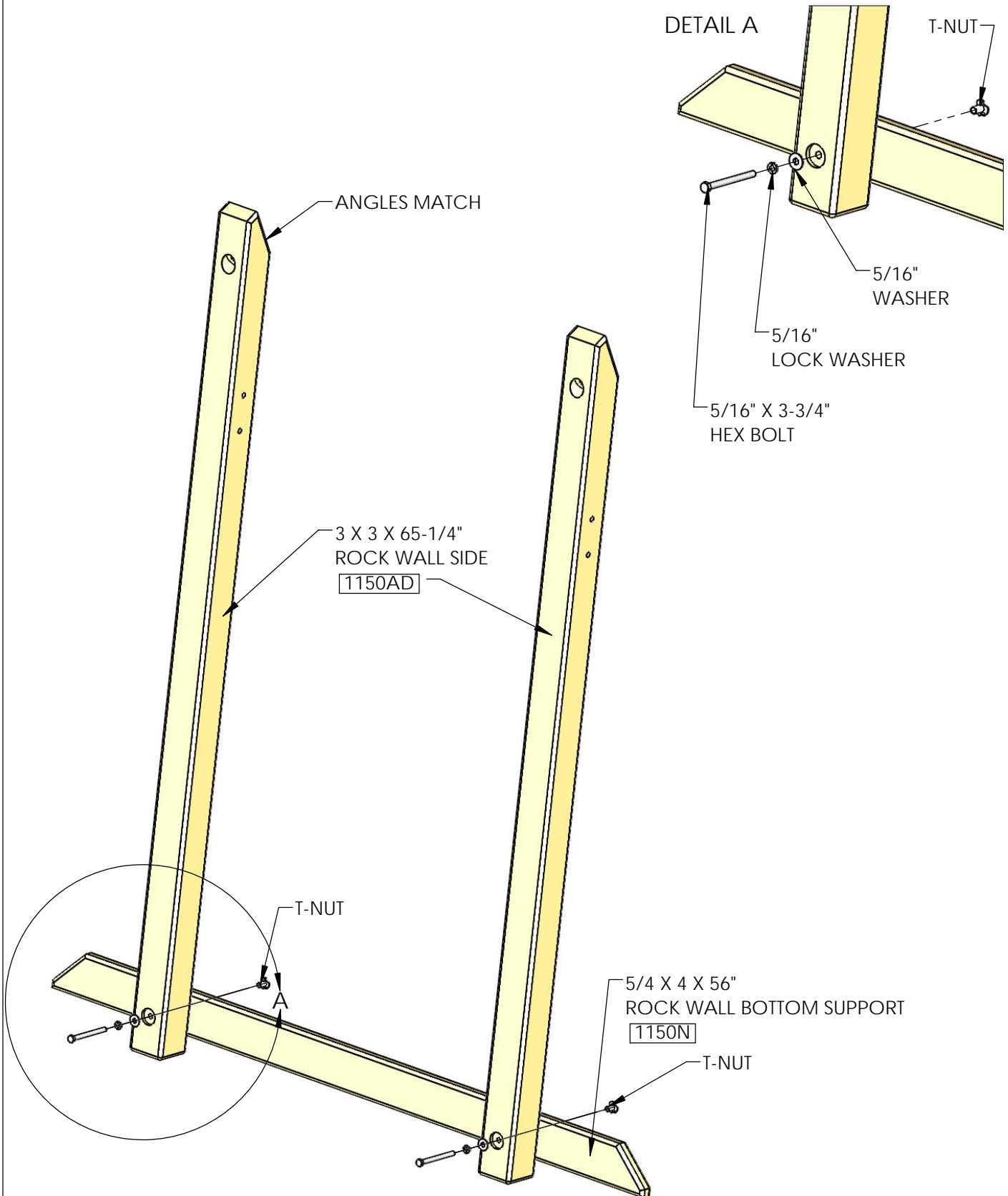
# STEP 3: ANGLE SUPPORTS

- 1: ATTACH ANGLE SUPPORTS AS SHOWN.
- 2: USE SCREWS SPECIFIED TO ATTACH.
- 3: DRILL 3/8" HOLE INTO ROPE LADDER RUNNER USING ANGLE SUPPORT AS A GUIDE.
- 4: ATTACH USING HARDWARE SHOWN.



# STEP 4: ROCK WALL

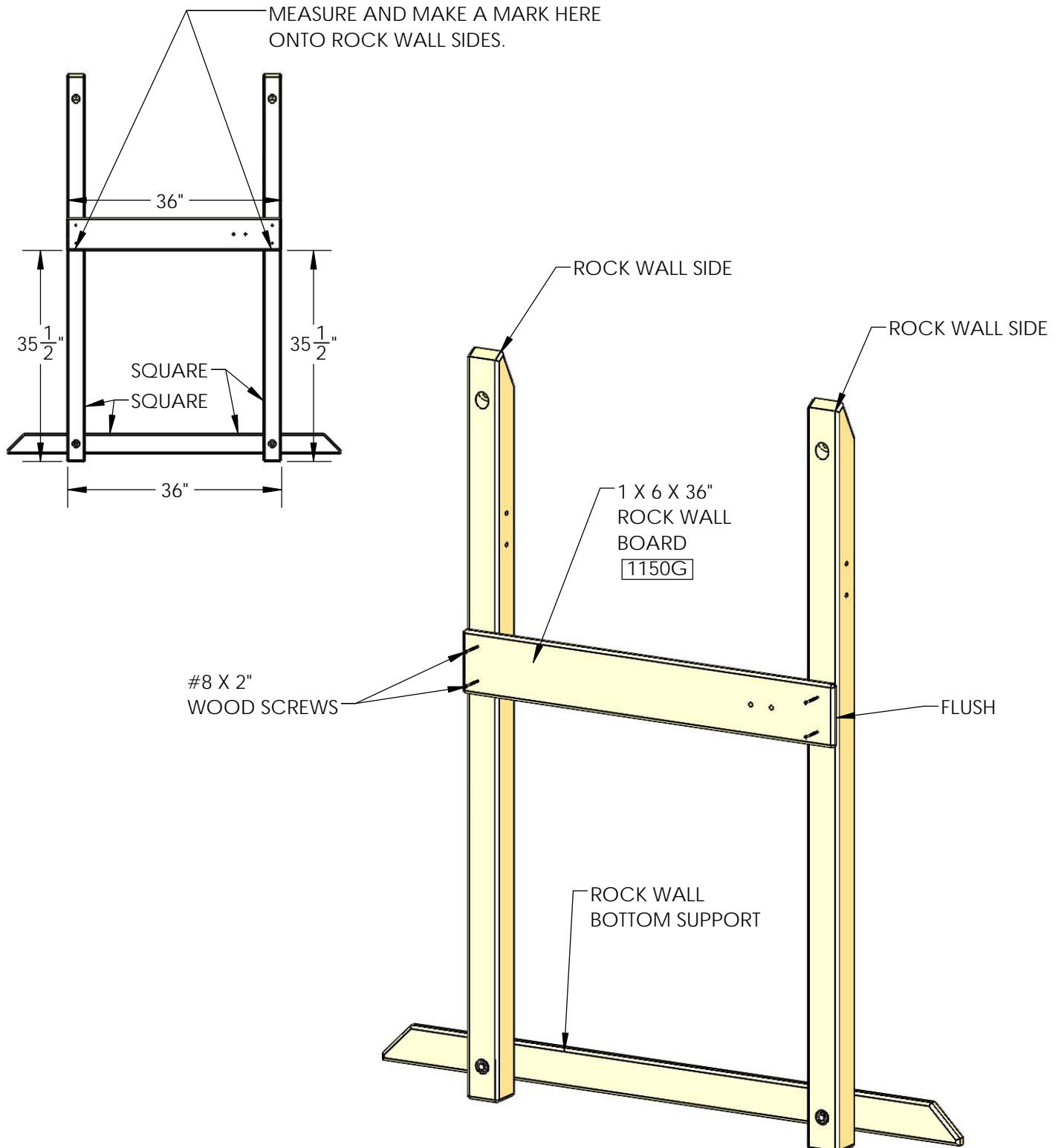
- 1: HAMMER TWO T-NUTS INTO THE BACK SIDE OF THE ROCK WALL BOTTOM SUPPORT.
- 2: FASTEN THE BOARDS AS SHOWN.





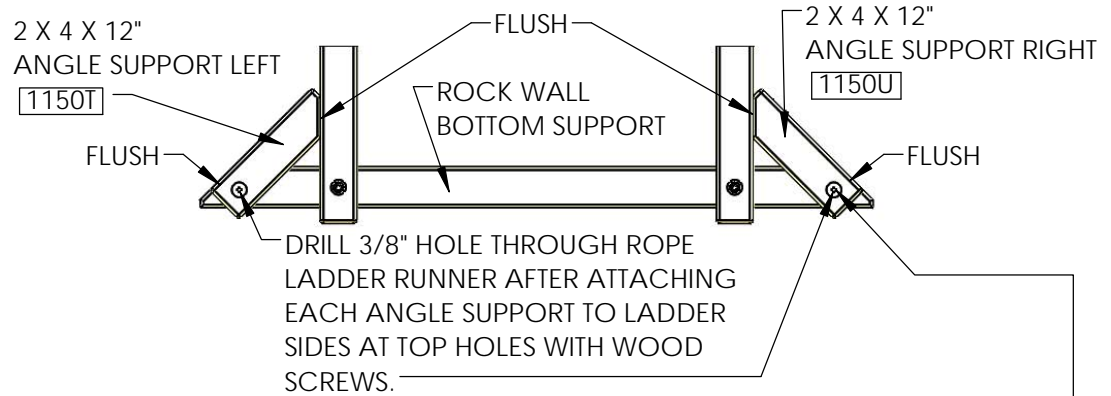
## STEP 5: ROCK WALL SPACER BOARD

- 1: MEASURE 35-1/2" FROM THE BOTTOM OF EACH OF THE ROCK WALL SIDES AND MAKE A MARK ONTO THE ROCK WALL SIDES.
- 2: MAKE SURE THAT THE ROCK WALL SIDES ARE SQUARE TO THE ROCK WALL BOTTOM SUPPORT.
- 3: ALIGN THE BOTTOM SURFACE OF THE ROCK WALL BOARD WITH THE MARKS.
- 4: FASTEN THE ROCK WALL BOARD AS SHOWN.



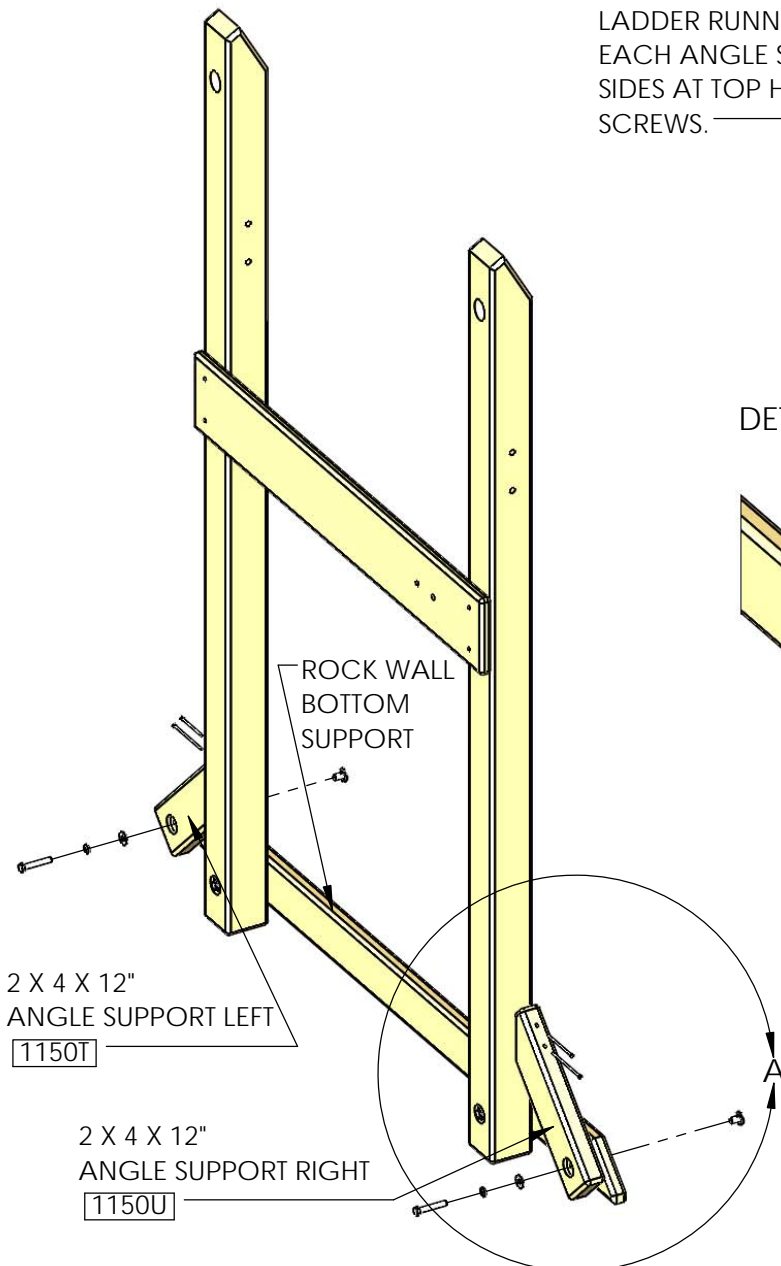
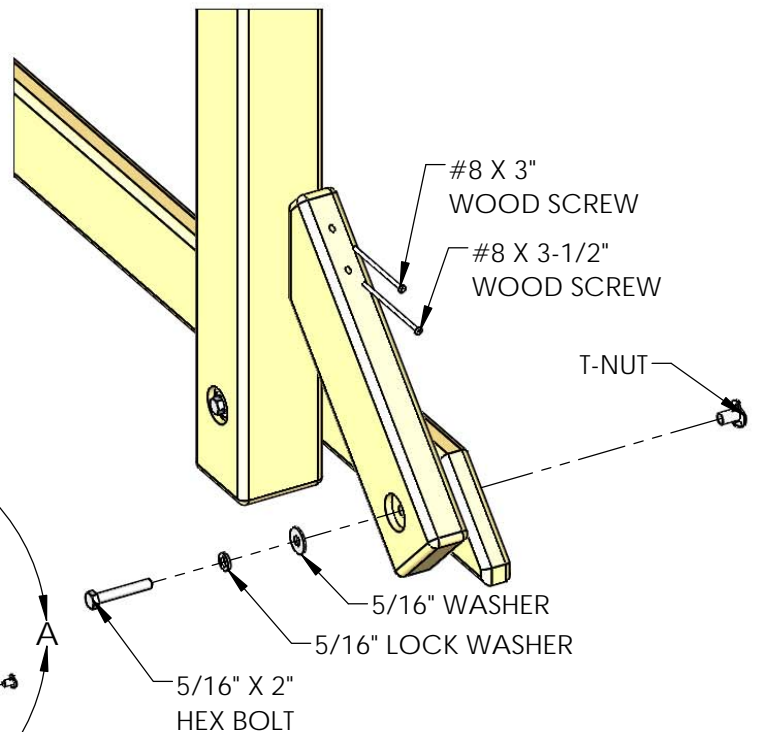
# STEP 6: ANGLE SUPPORTS

- 1: ATTACH ANGLE SUPPORTS AS SHOWN.
- 2: USE SCREWS SPECIFIED TO ATTACH.
- 3: DRILL 3/8" HOLE INTO ROPE LADDER RUNNER USING ANGLE SUPPORT AS A GUIDE.
- 4: ATTACH USING HARDWARE AS SHOWN.



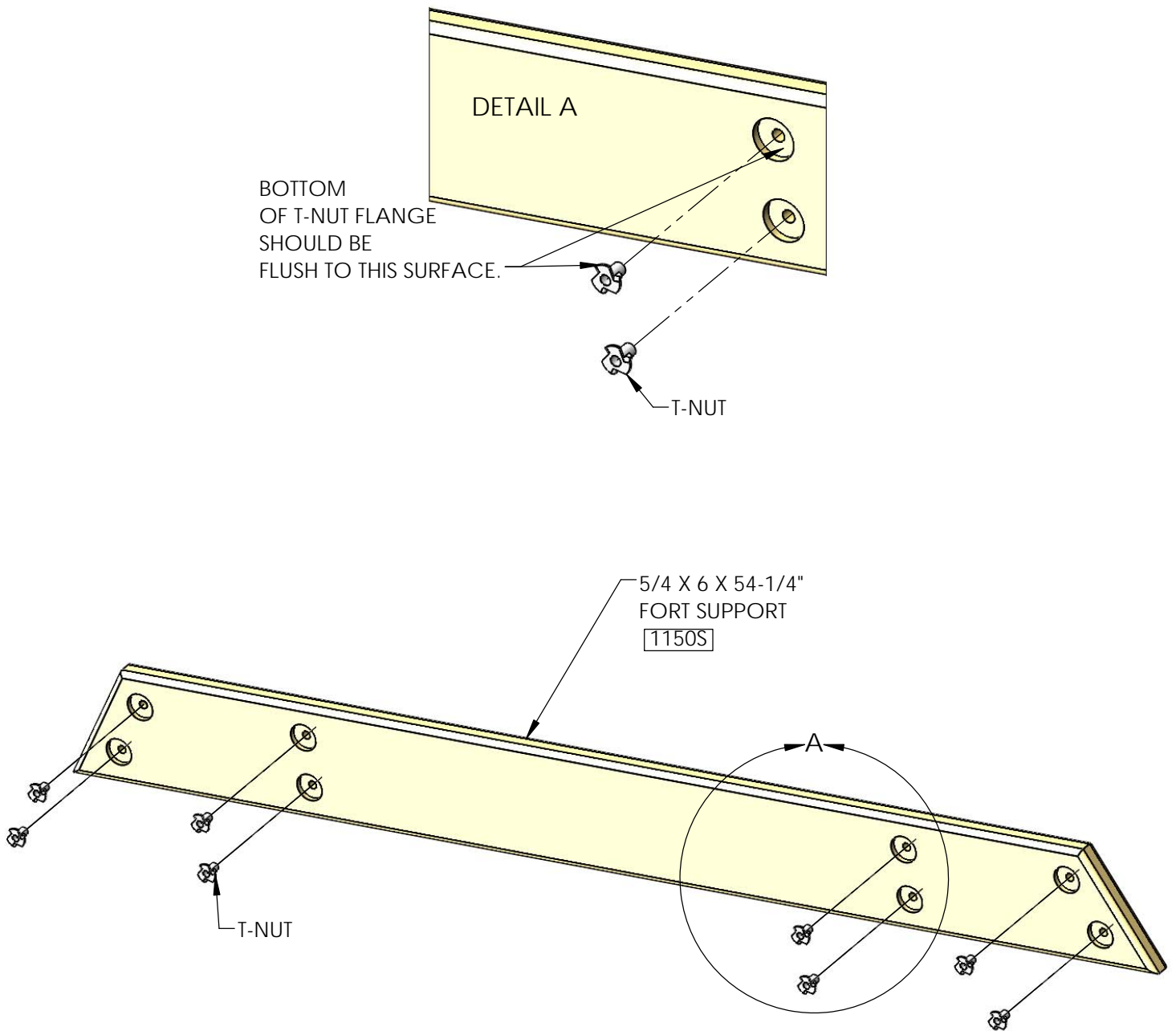
TIP: PUT A SCRAP BLOCK OF WOOD BEHIND THE ROCK WALL BOTTOM SUPPORT WHEN DRILLING THE HOLES TO MINIMIZE CHIP-OUT ON THE BACK SIDE.

DETAIL A



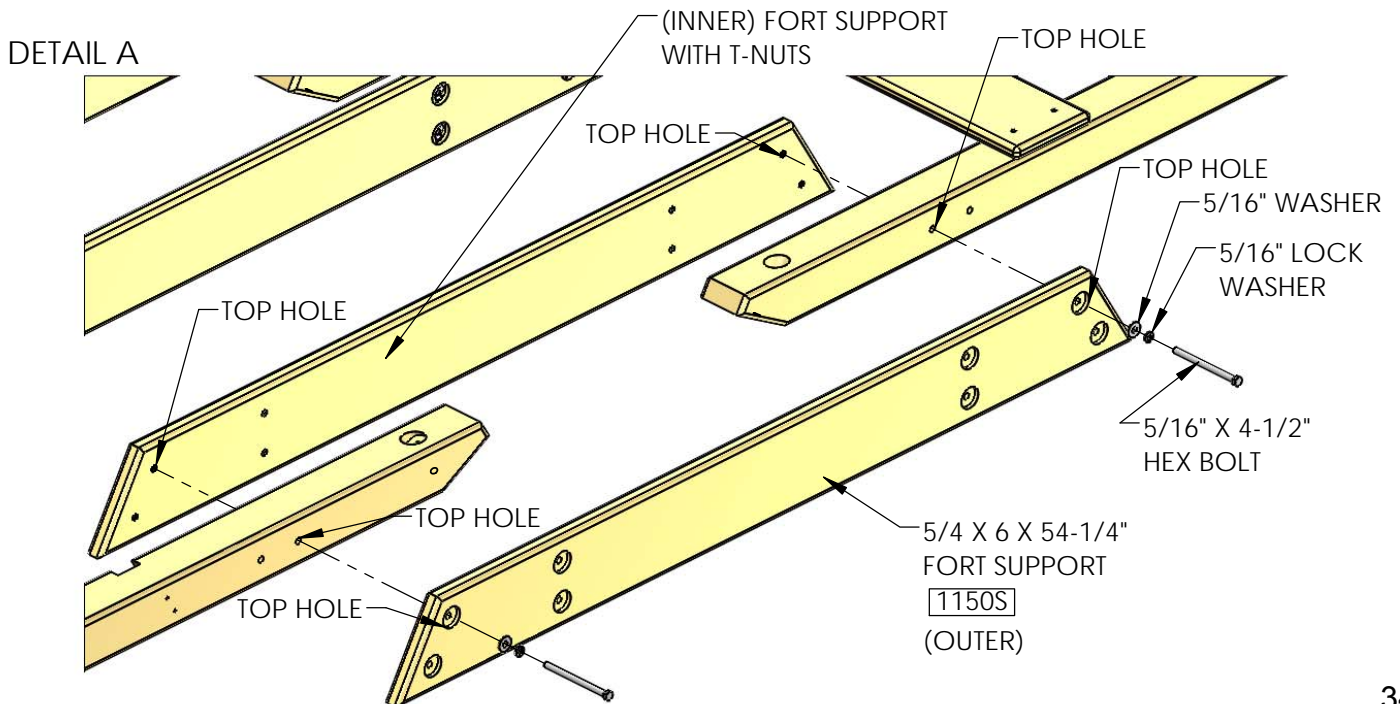
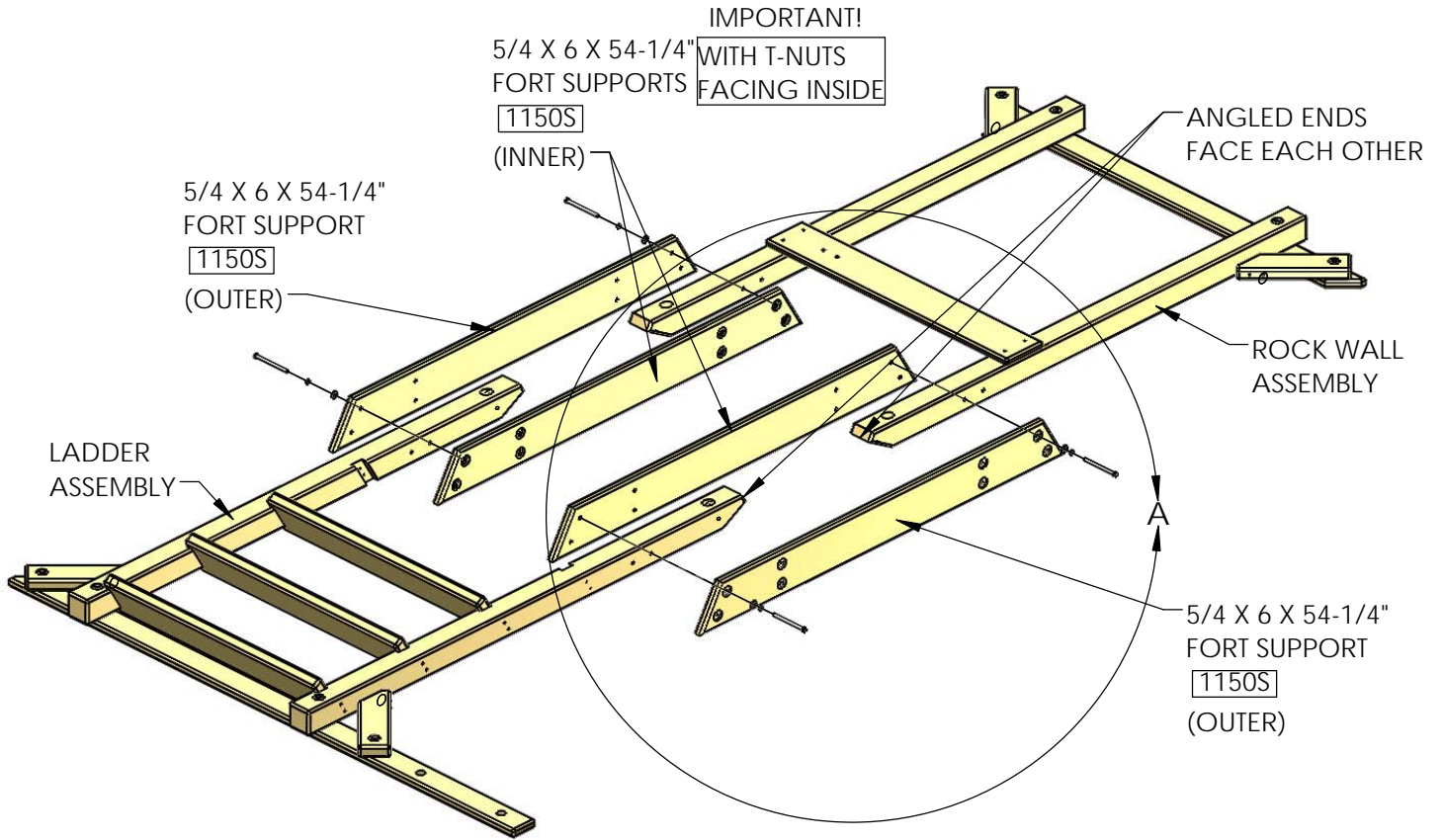
# STEP 7: INNER FORT SUPPORTS

1: HAMMER T-NUTS INTO THE COUNTERBORES OF TWO 1150S BOARDS AS SHOWN.



# STEP 8: OUTER FORT SUPPORTS

- 1: LAY THE ROCK WALL ASSEMBLY AND THE LADDER ASSEMBLY DOWN ON A FLAT SURFACE AS SHOWN.
- 2: PLACE A FORT SUPPORT ON EITHER SIDE OF LEGS. IMPORTANT: T-NUTS ON THE INSIDE OF THE LEGS.
- 3: ATTACH AT POINTS SHOWN BELOW.
- 4: DO NOT OVERTIGHTEN AT THIS TIME.



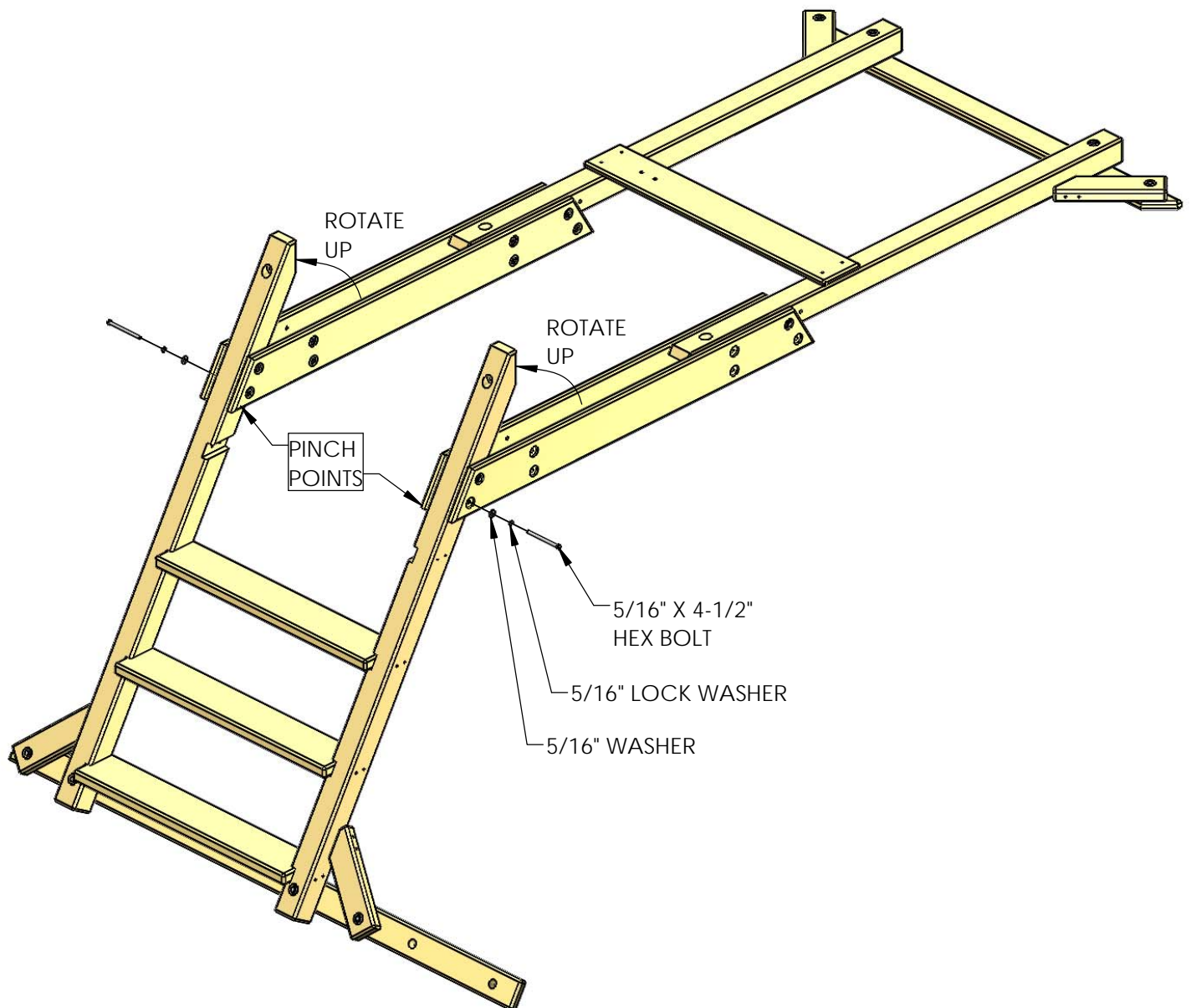
## STEP 9: ROTATE THE LADDER

**!!BEFORE ROTATING THE LADDER PLEASE OBSERVE THE PINCH POINTS SHOWN. KEEP AWAY FROM THESE POINTS WHEN ROTATING THE LADDER!!**

1: ROTATE THE TOP OF THE LADDER UP.

2: ALIGN THE BOTTOM HOLES AND INSERT HARDWARE AS SHOWN.

DO NOT TIGHTEN BOLTS AT THIS TIME.



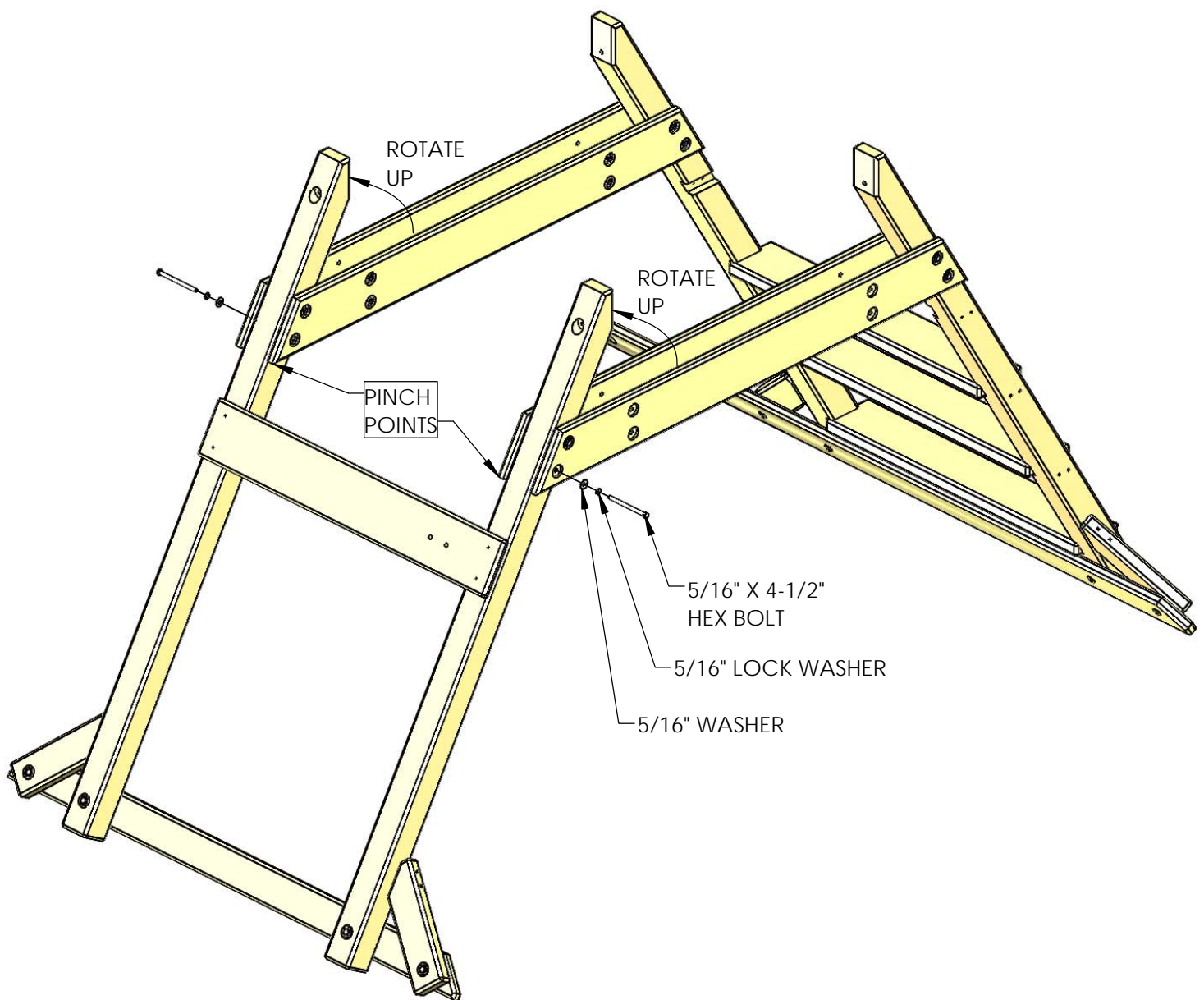
## STEP 10: ROTATE THE ROCK WALL

**!! BEFORE ROTATING THE ROCK WALL PLEASE OBSERVE THE PINCH POINTS SHOWN.  
KEEP AWAY FROM THESE POINTS WHEN ROTATING THE ROCK WALL!!!**

1: ROTATE THE TOP OF THE ROCK WALL UP.

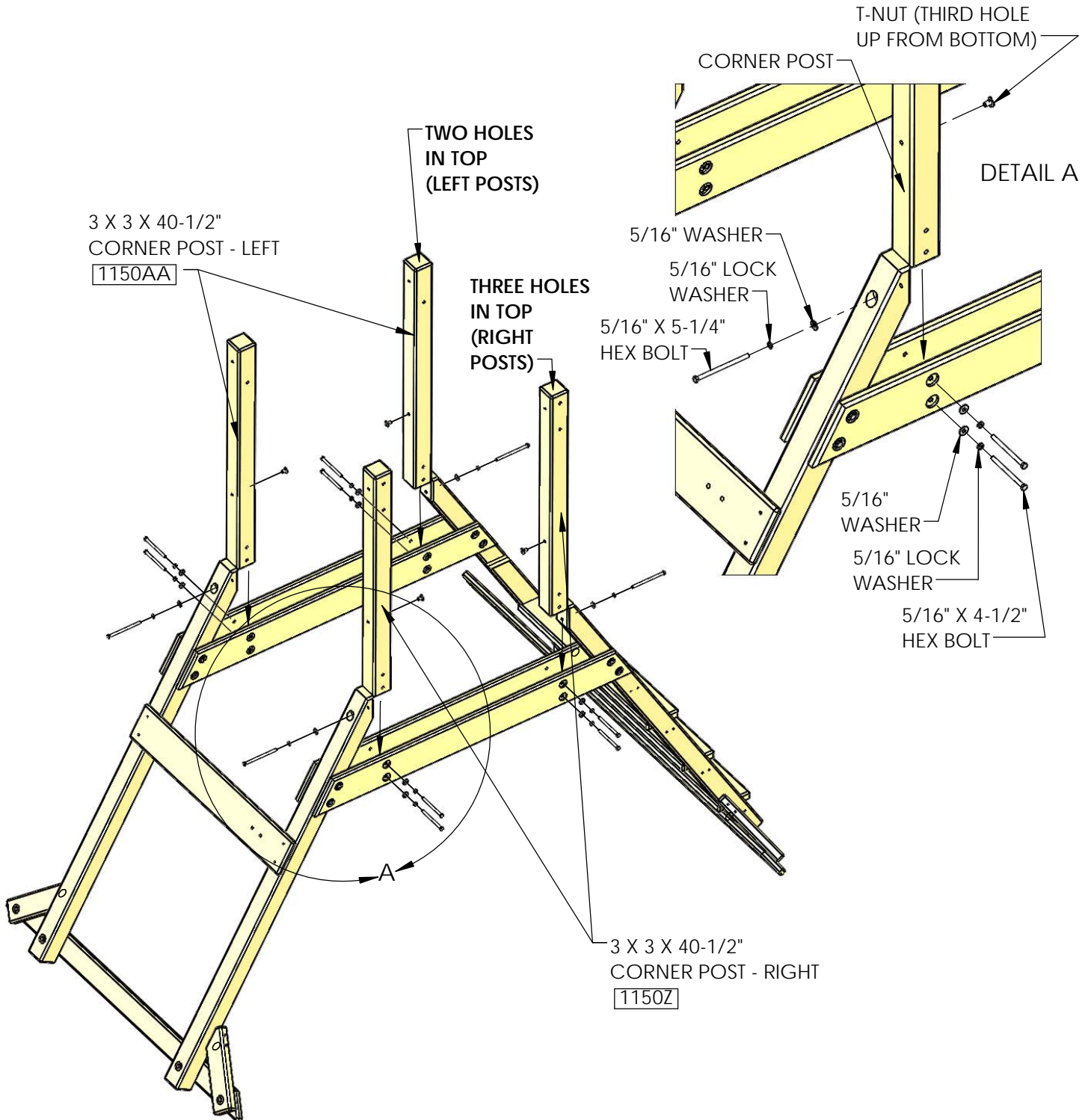
2: ALIGN THE BOTTOM HOLES AND INSERT HARDWARE AS SHOWN.

DO NOT TIGHTEN BOLTS AT THIS TIME.



# STEP 11: CORNER POSTS

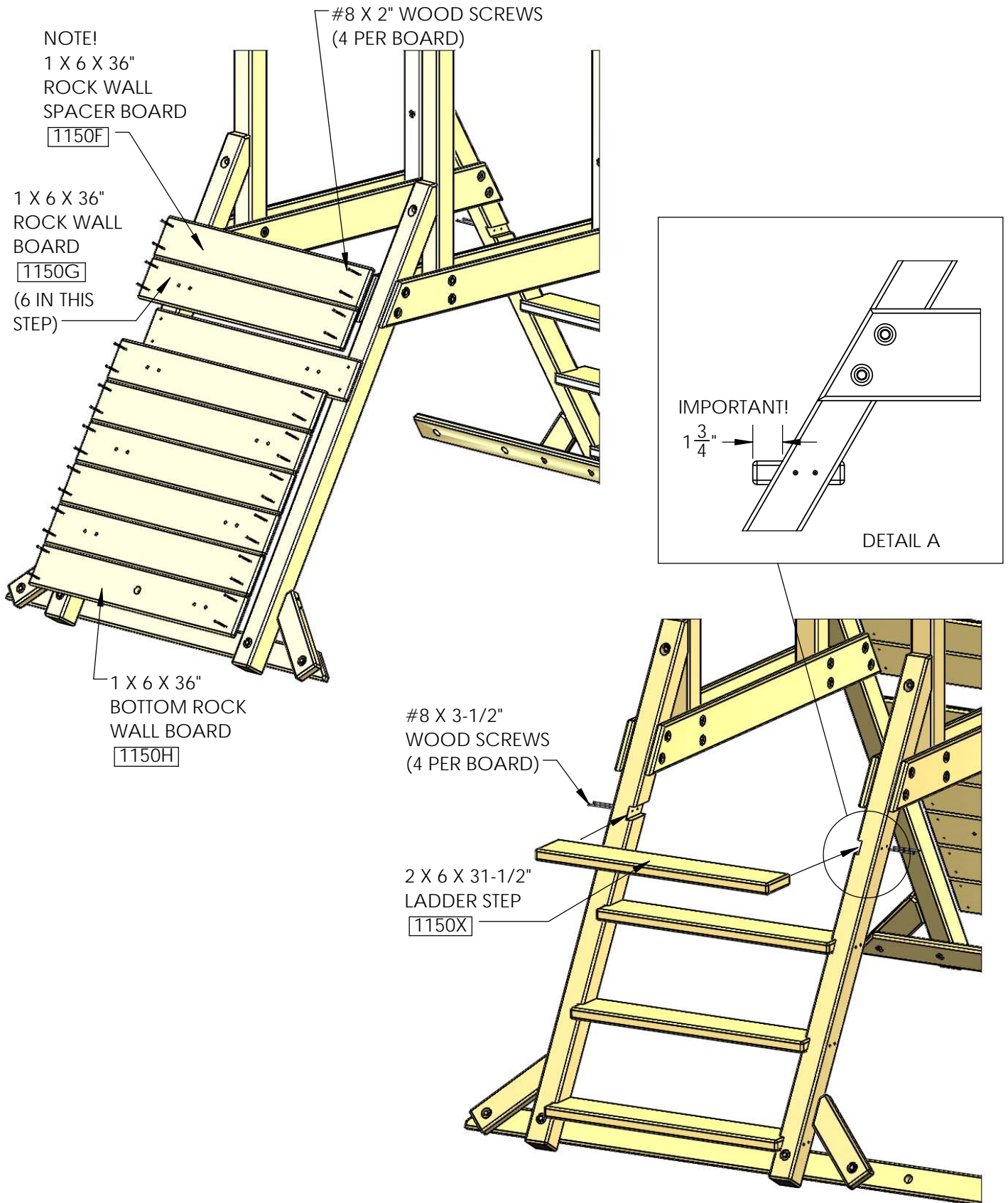
- 1: LOCATE TWO CORNER POST - RIGHT AND TWO CORNER POST LEFT. ORIENT THE POSTS AS SHOWN BELOW.
- 2: INSTALL T-NUTS AS SHOWN IN THE DETAIL IMAGE BELOW.
- 3: SEE DETAIL A FOR INSTALLING THE FOUR CORNER POSTS.



# STEP 12: LADDER AND ROCK WALL COMPLETION

1: ATTACH REMAINING ROCKWALL BOARDS AND SPACER AS SHOWN. ATTACH WITH SCREWS SPECIFIED.

2: INSTALL LAST LADDER STEP AS SHOWN. (NOTE DETAIL A)

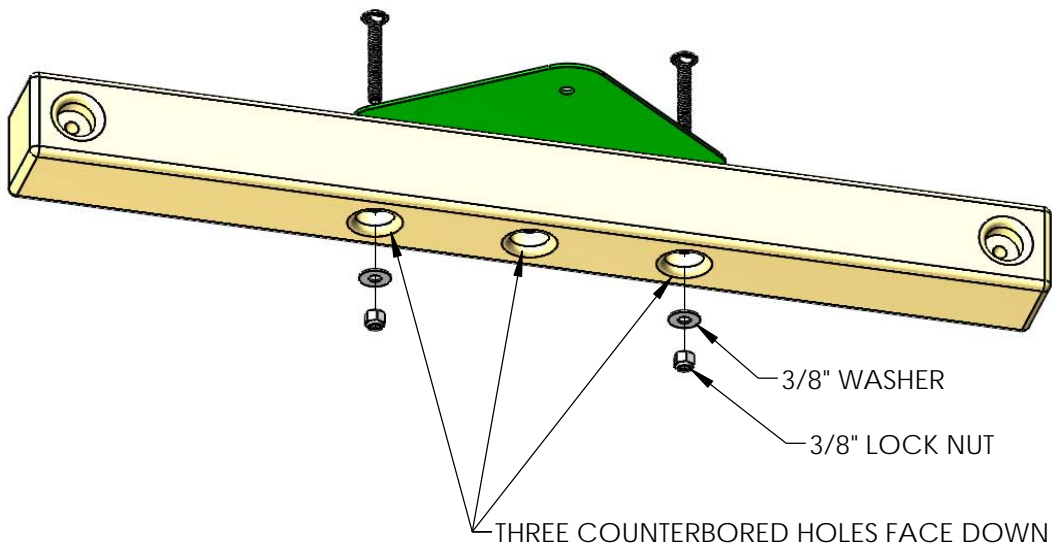
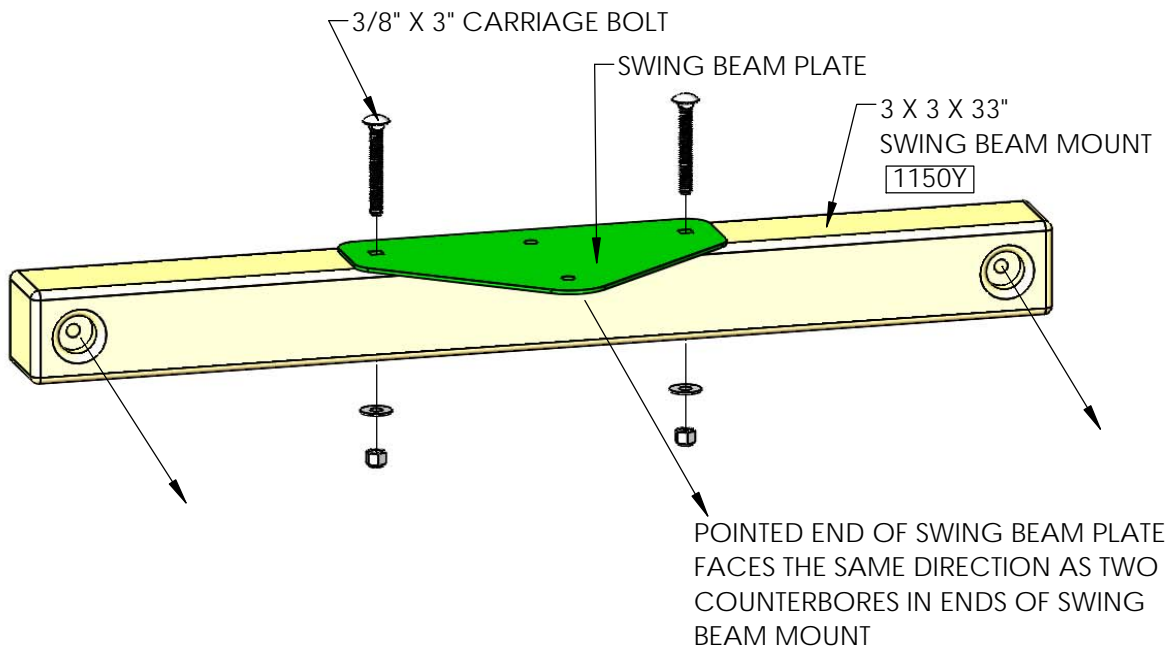




## STEP 13: ATTACH SWING BEAM PLATE TO THE SWING BEAM MOUNT

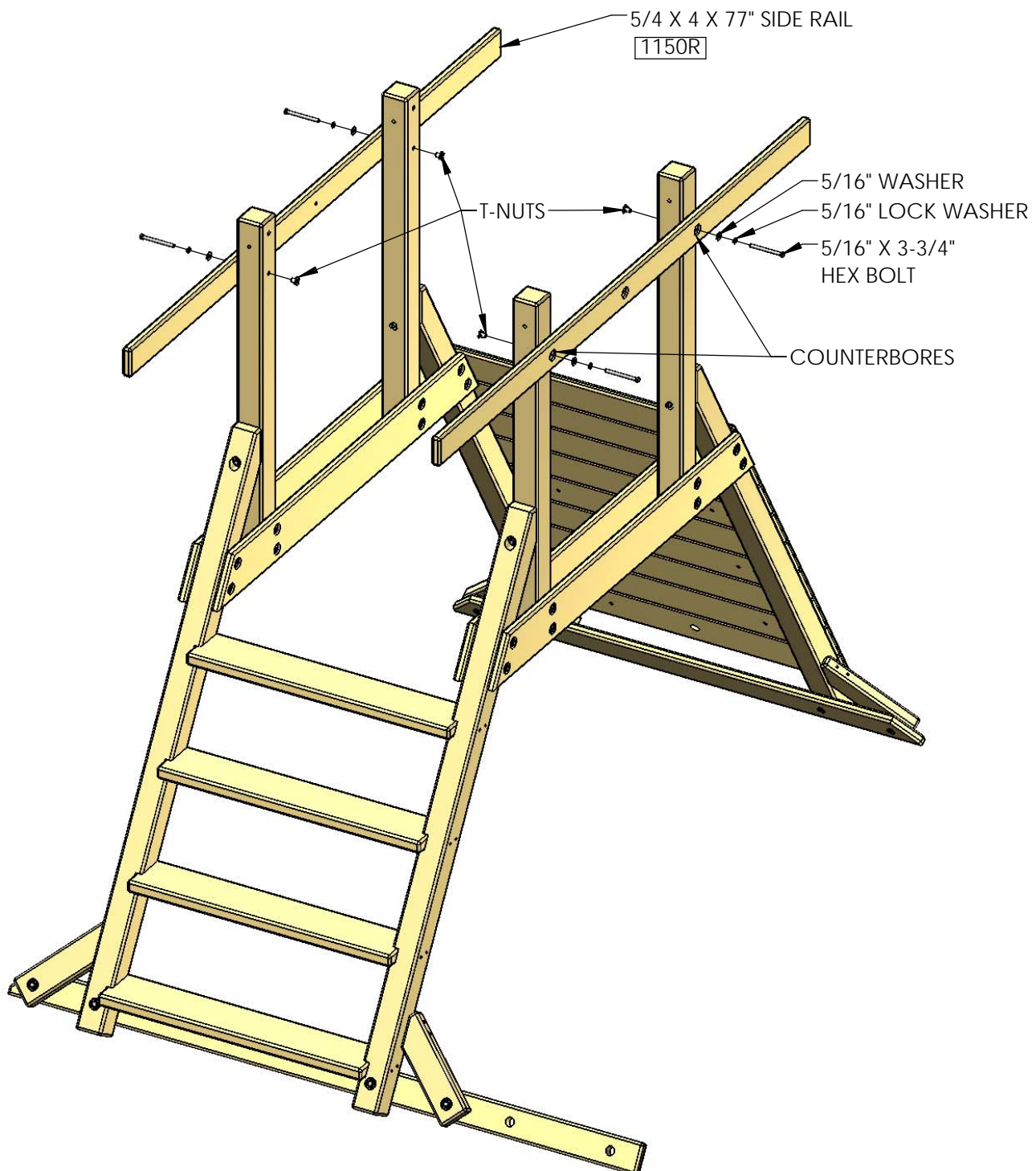
1: PLACE THE SWING BEAM PLATE OVER THE THREE SMALL HOLES IN THE SWING BEAM MOUNT.

2: FASTEN THE SWING BEAM PLATE TO THE SWING BEAM SIDE RAIL WITH THE HARDWARE SHOWN.



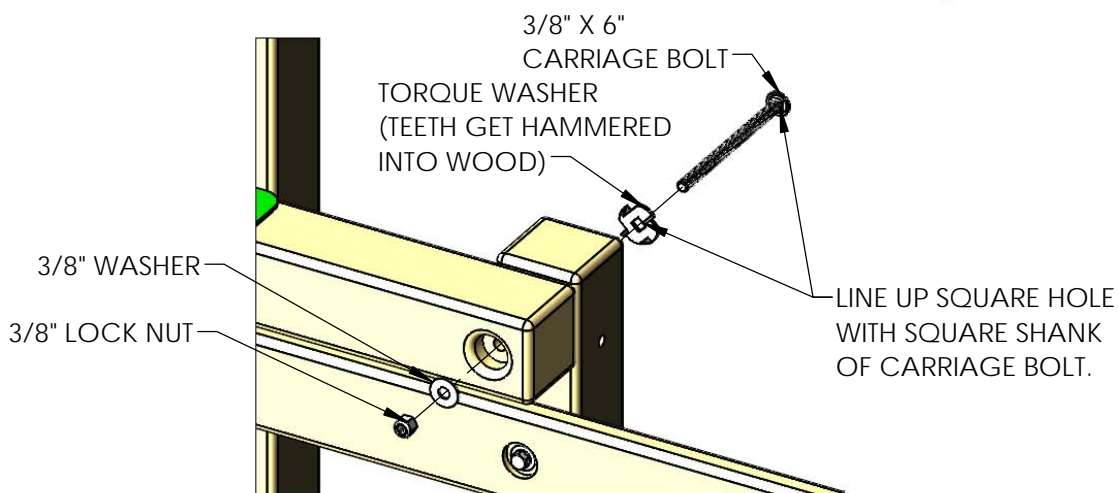
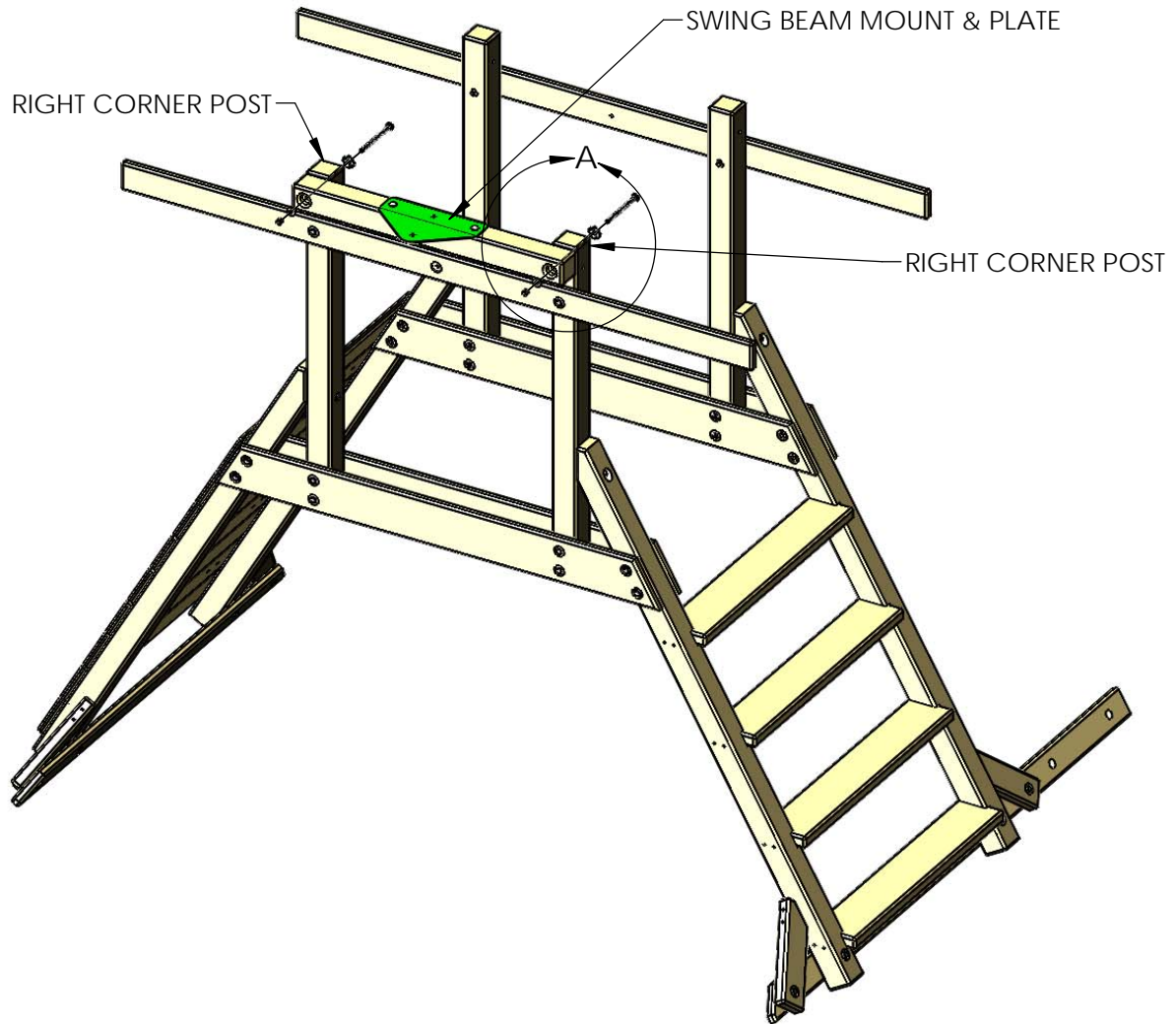
## STEP 14: SIDE RAILS

- 1: HAMMER A T-NUT INTO THE HOLE ON THE INSIDE OF EACH CORNER POST AS SHOWN.
- 2: PLACE EACH SIDE RAIL AGAINST THE CORNER POSTS ON THE OUTSIDE AS SHOWN.
- 3: ASSEMBLE USING THE HARDWARE SHOWN BELOW.



# STEP 15: ATTACHING SWING BEAM MOUNT

1: ATTACH SWING BEAM MOUNT AS SHOWN.



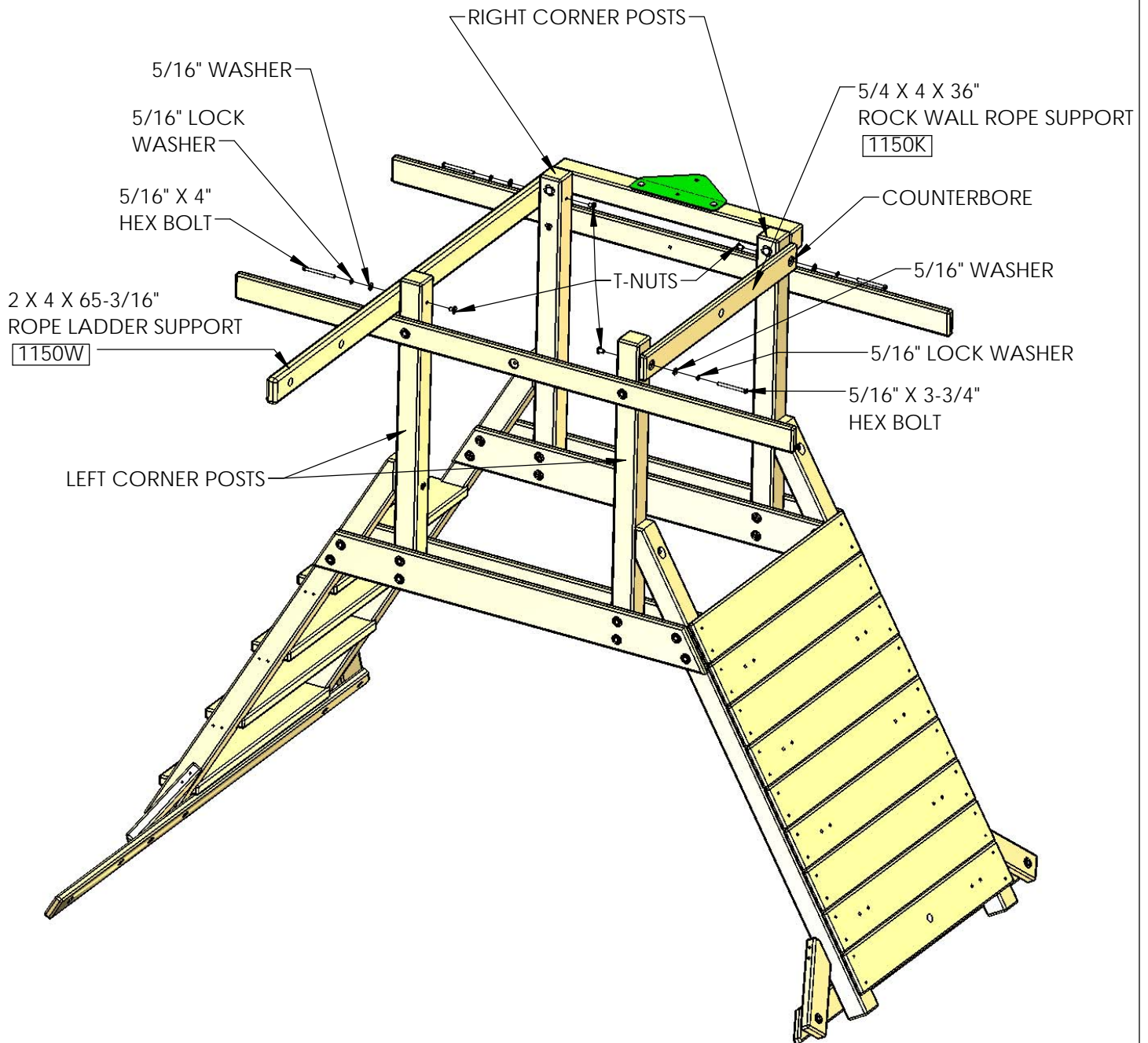
DETAIL A

# STEP 16: ATTACHING ROPE LADDER SUPPORT AND ROCK WALL ROPE SUPPORT

1: HAMMER T-NUTS INTO THE TOP HOLES OF EACH CORNER POST.

2: ATTACH ROPE LADDER AND ROCK WALL ROPE SUPPORT AS SHOWN.

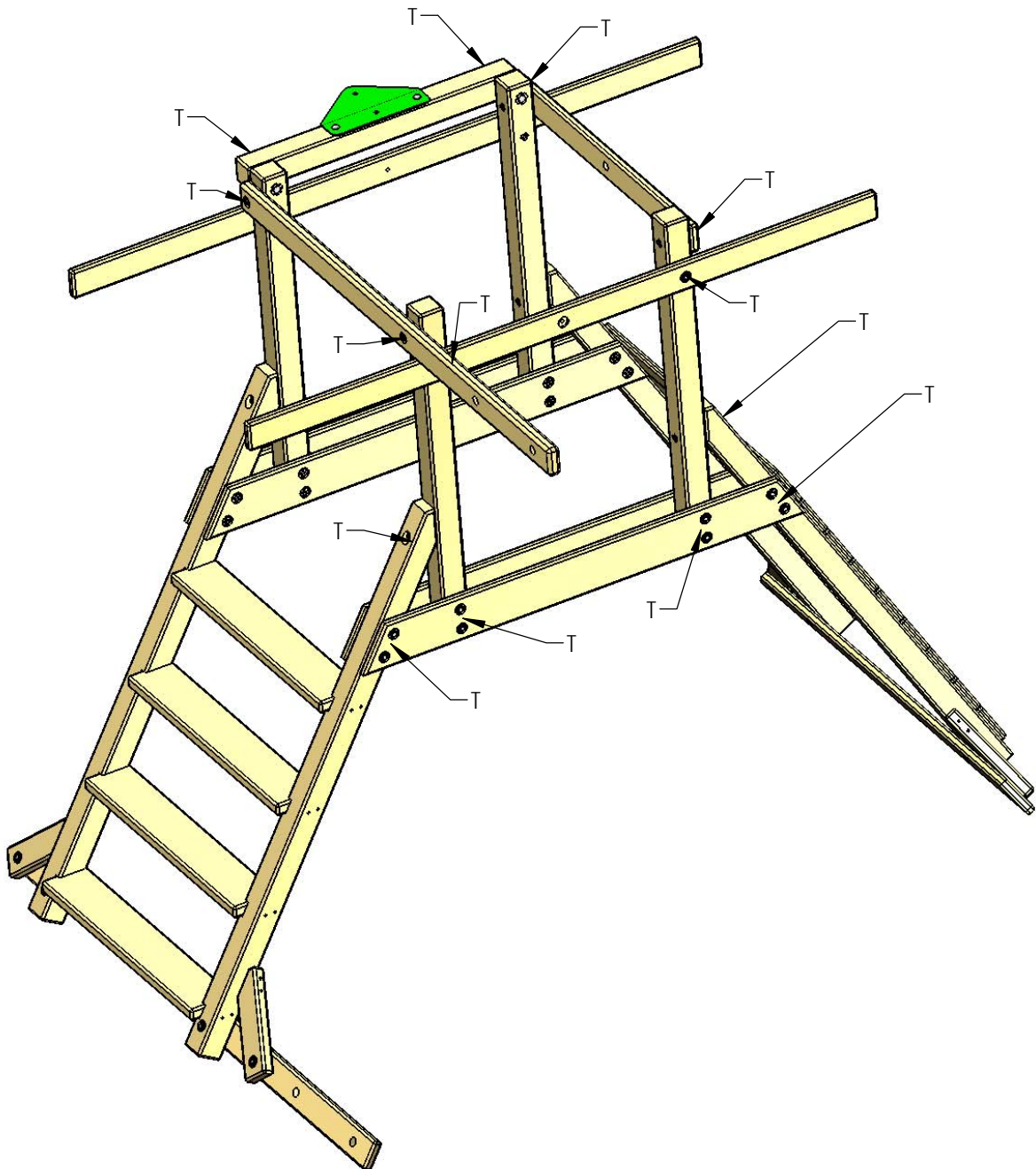
NOTE: COUNTERBORES SHOULD BE FACING OUT.



## STEP 17: TIGHTENING BOLTS AND LEVELING

1: MAKE SURE THE FRAME IS LEVEL AND SQUARE.

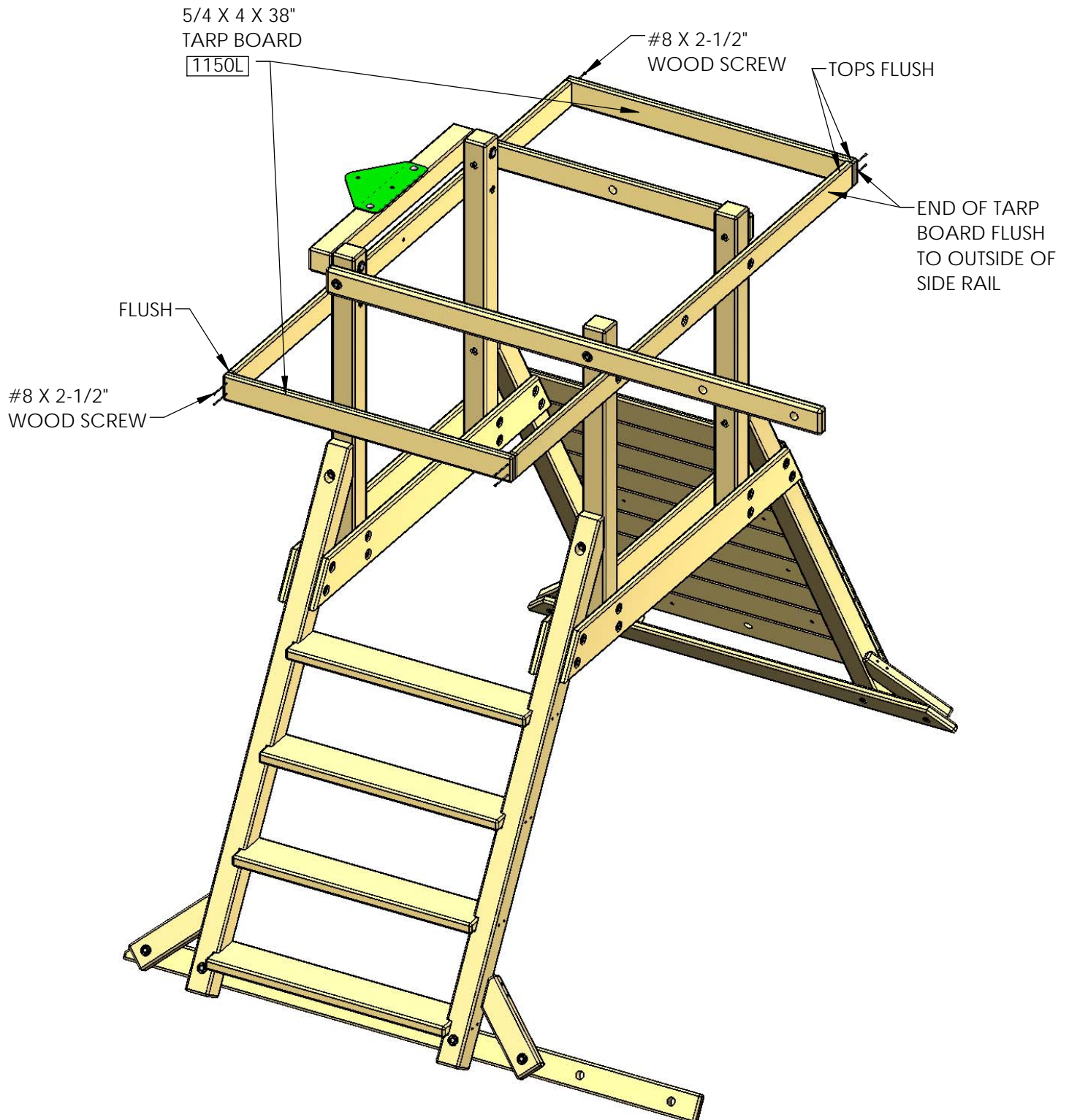
2: TIGHTEN ALL OF THE BOLTS WHERE INDICATED ON **BOTH SIDES** OF THE PLAYSET.



## STEP 18: INSTALLING TARP BOARDS

1: INSTALL TARP BOARDS FLUSH WITH THE SIDE RAILS.

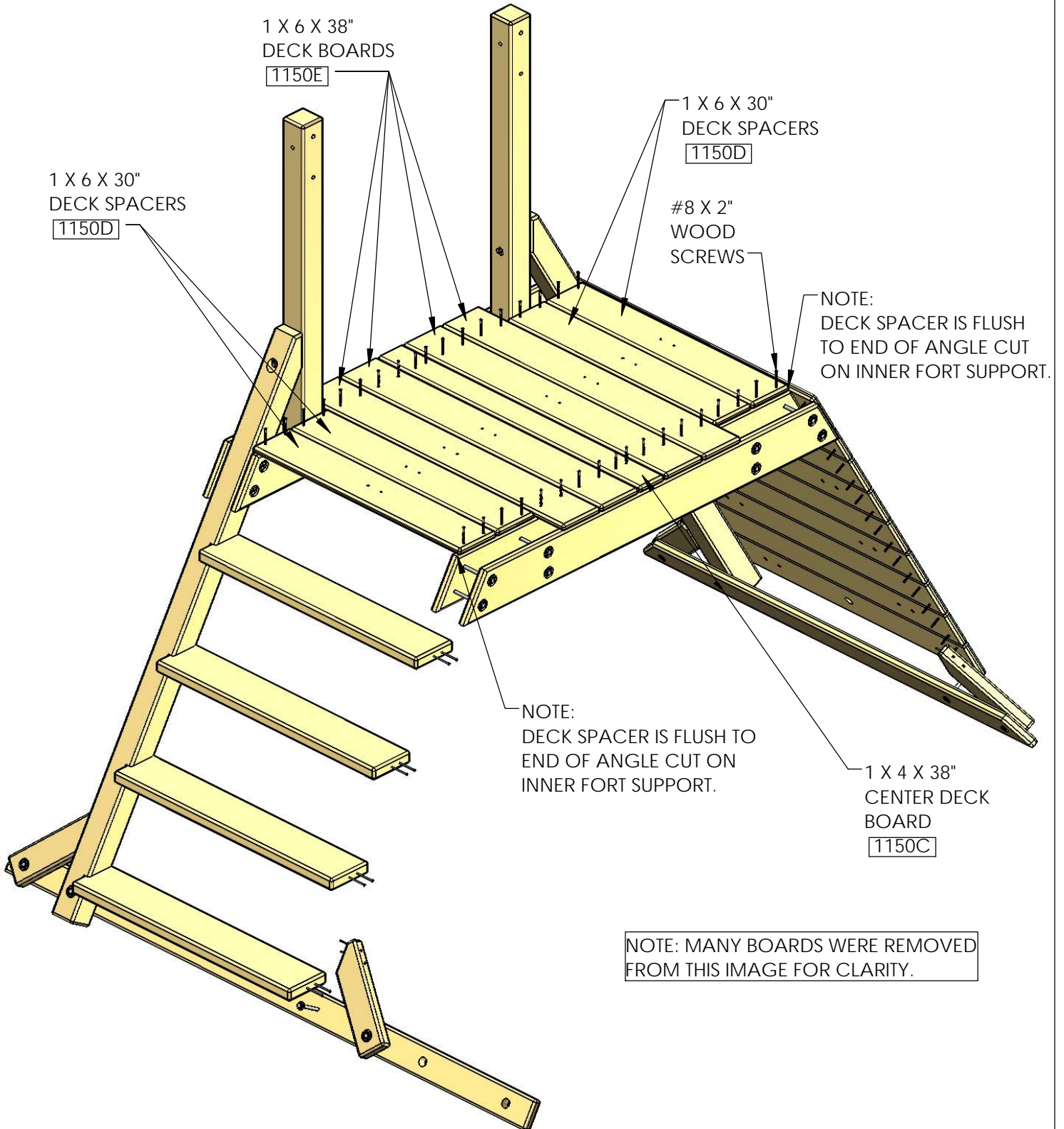
2: FASTEN EACH TARP BOARD TO THE SIDE RAILS WITH THE HARDWARE SHOWN.



# STEP 19: DECK

1: LAY OUT THE DECK BOARDS ACROSS THE INNER AND OUTER FORT SUPPORTS AS SHOWN BELOW. EVENLY SPACE BOARDS LEAVING AN APPROXIMATE 1/8" GAP BETWEEN BOARDS.

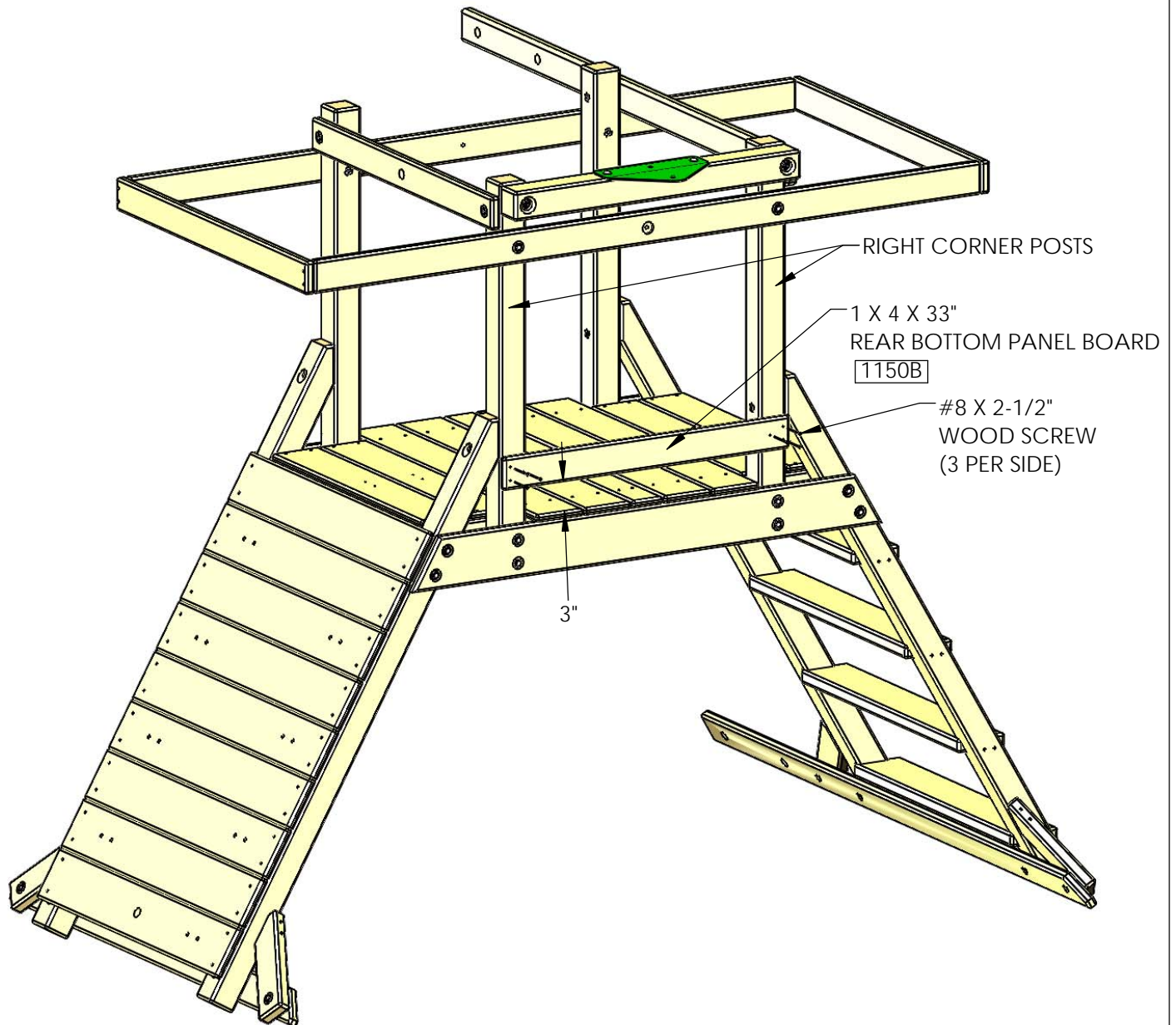
2: ATTACH EACH BOARD AS SHOWN.



## STEP 20: REAR BOTTOM PANEL BOARD

1: PLACE THE REAR BOTTOM PANEL BOARD 3" ABOVE THE TOP OF THE DECK BOARDS.

2: ATTACH THE BOARD AS SHOWN.

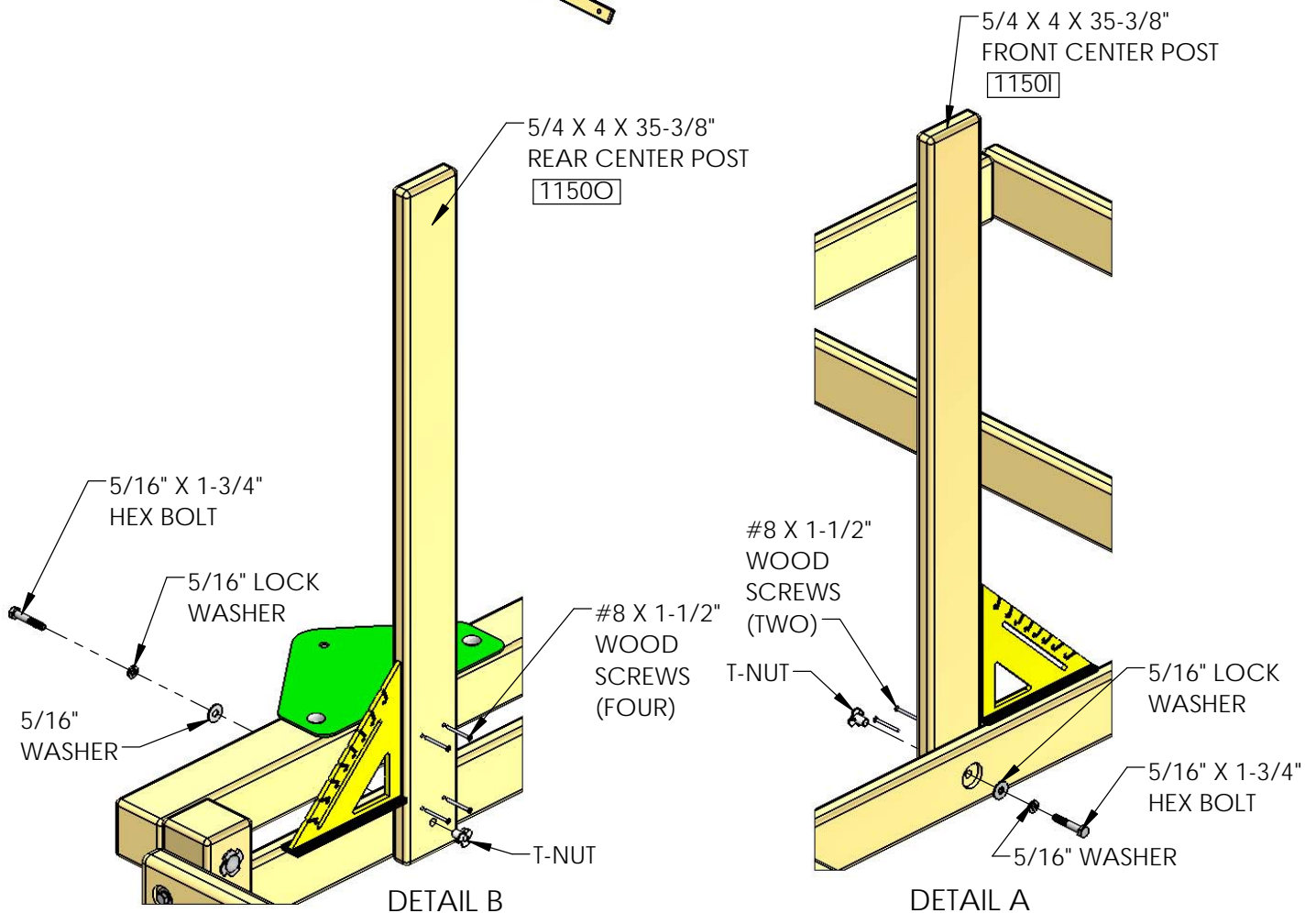
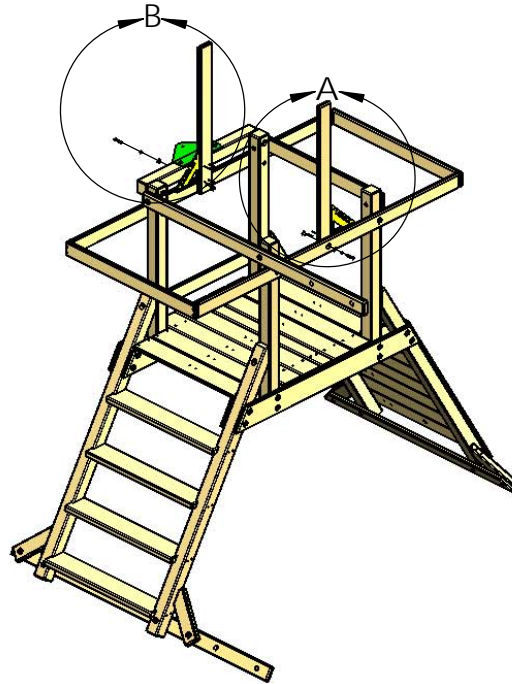




# STEP 21: CENTER POSTS

1: (SEE DETAIL A) HAMMER A T-NUT INTO THE HOLE IN THE FRONT CENTER POST. ATTACH AS SHOWN. MAKE SURE THE FRONT CENTER POST IS SQUARE.

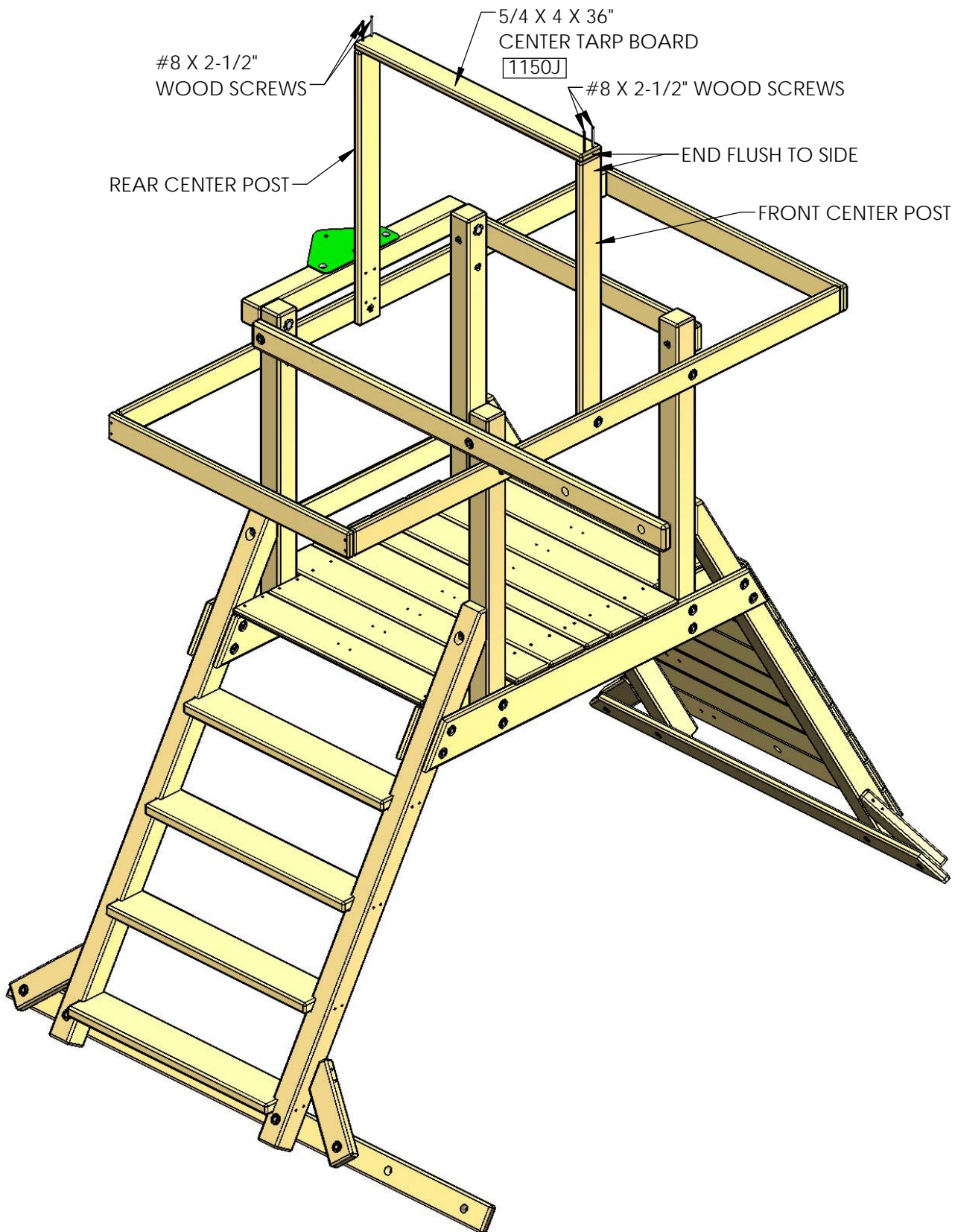
2: (SEE DETAIL B) HAMMER A T-NUT INTO THE HOLE IN THE REAR CENTER POST. ATTACH AS SHOWN. MAKE SURE THE REAR CENTER POST IS SQUARE.



## STEP 22: CENTER TARP BOARD

1: INSTALL THE CENTER TARP BOARD ON TOP OF THE FRONT CENTER POST AND REAR CENTER POST. NOTE: FLUSH TO THE SIDES OF THE FRONT AND REAR CENTER POSTS.

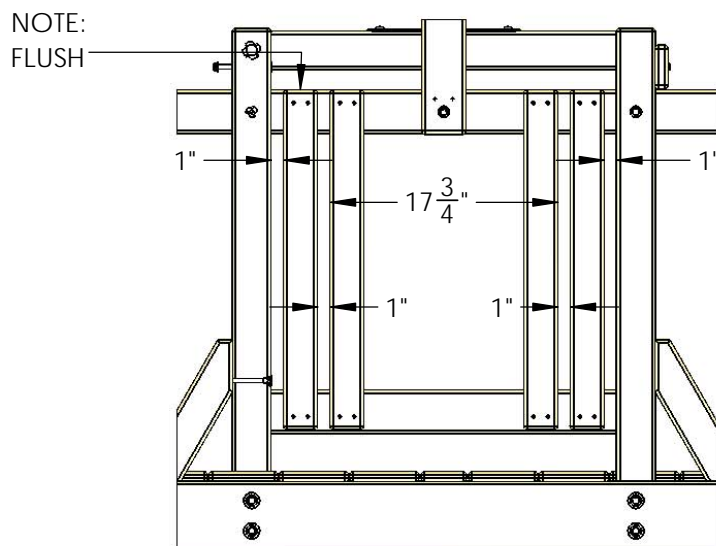
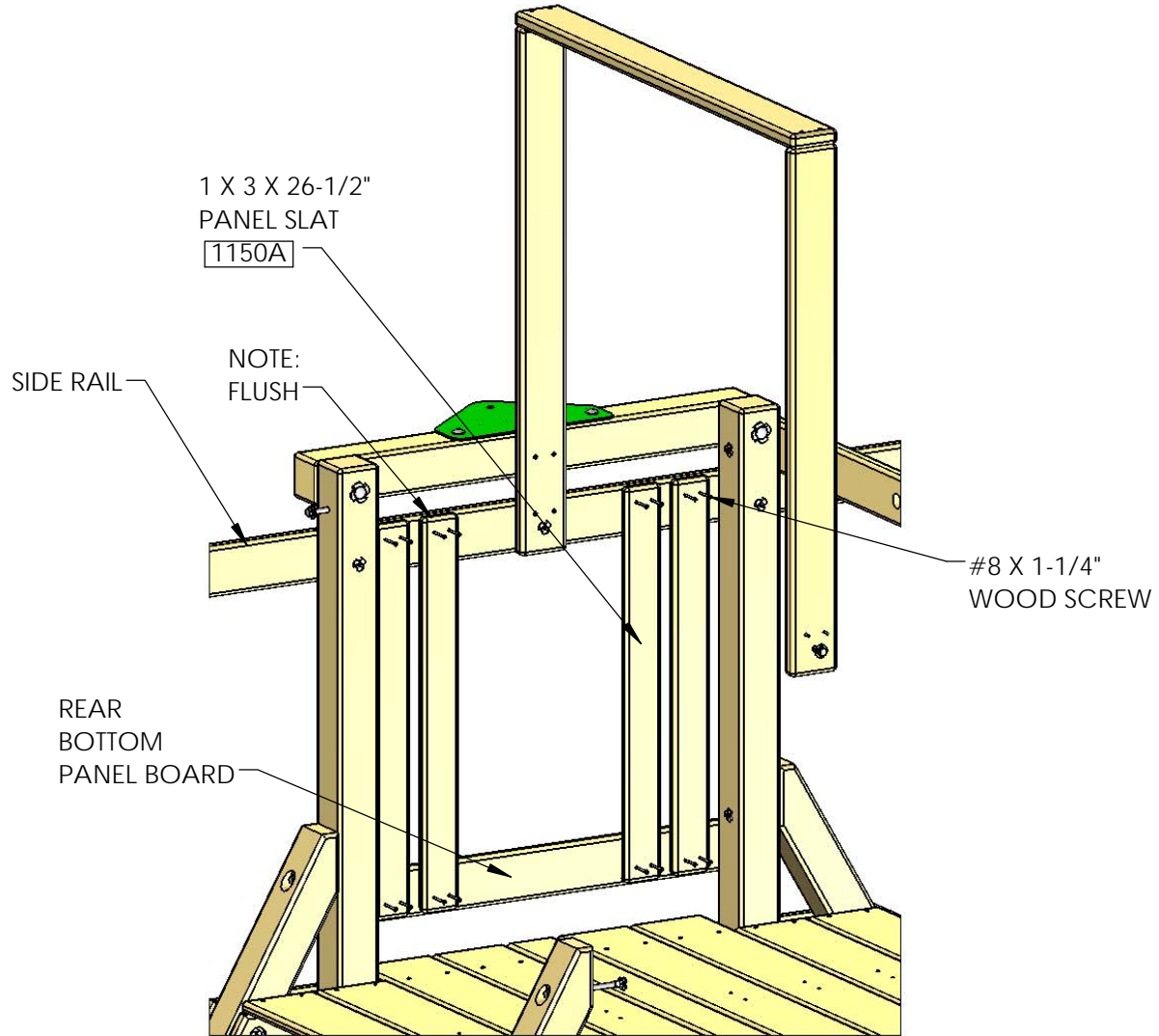
2: ATTACH THE BOARDS AS SHOWN.



# STEP 23: PANEL SLATS

1: SPACE THE PANEL SLATS AS INDICATED. THE TOP OF EACH SLAT IS FLUSH TO THE TOP OF THE SIDE RAIL.

2: ATTACH EACH SLAT AS SHOWN.

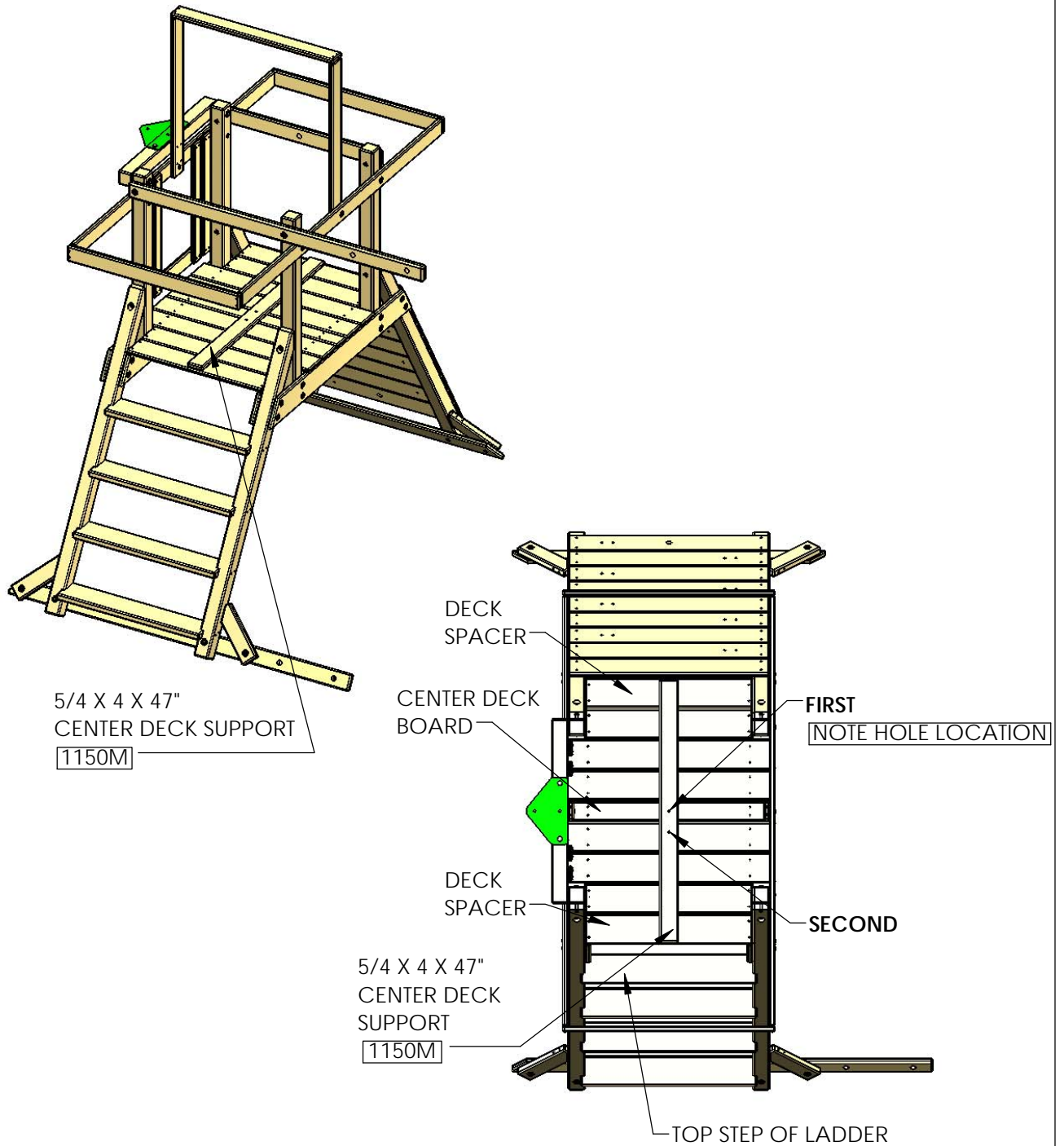


## STEP 24: CENTER DECK SUPPORT

1: PLACE THE CENTER DECK SUPPORT CENTERED BETWEEN THE CORNER POSTS ON TOP OF THE DECK BOARDS. **NOTE: HOLE LOCATION**

2: USE THE CENTER DECK SUPPORT AS A GUIDE TO DRILL TWO 3/8" HOLES INTO THE DECK BOARDS.

3: REMOVE THE CENTER DECK SUPPORT.



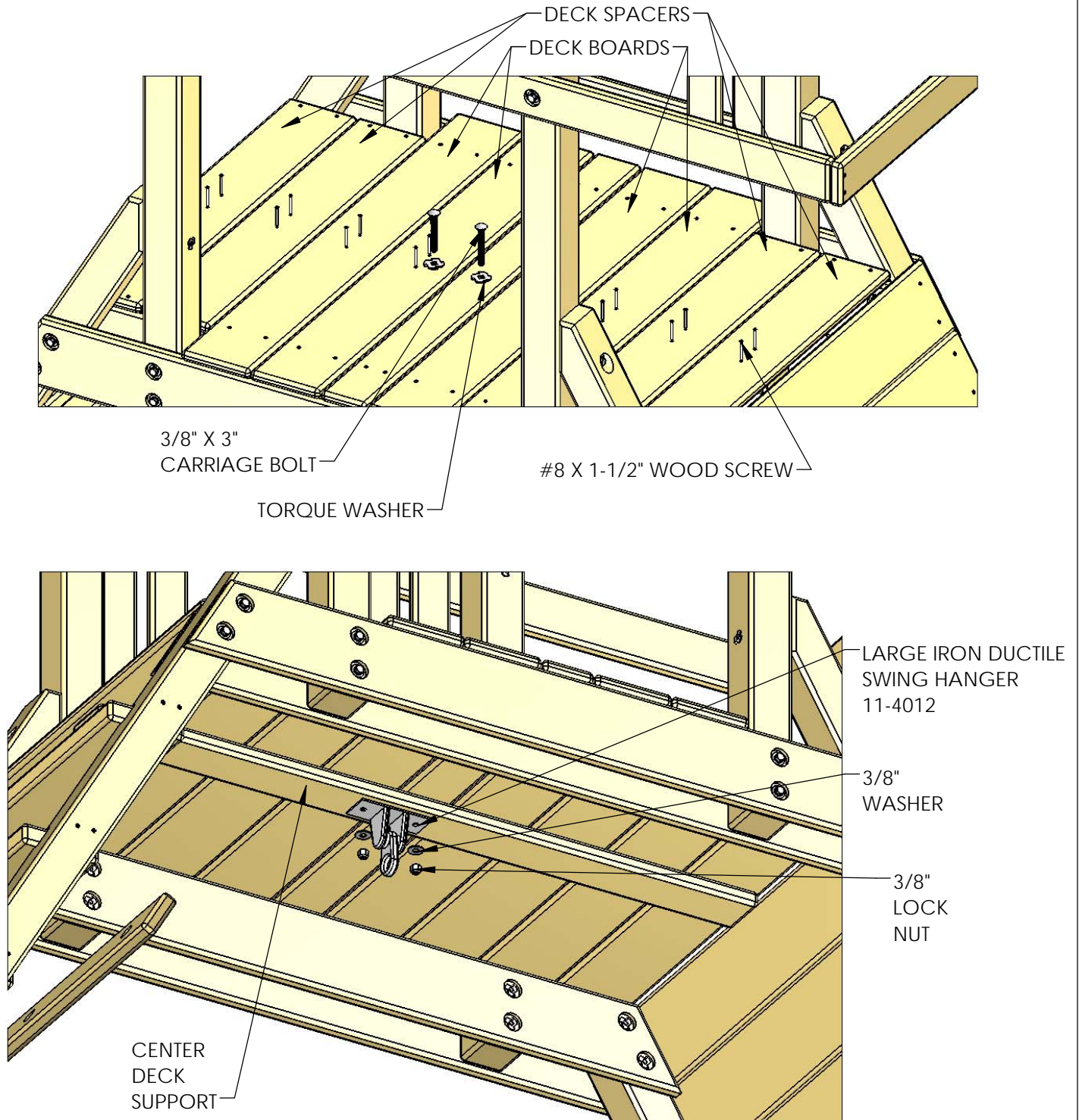
THIS IS THE **TOP VIEW** LOOKING DOWN OVER THE DECK.

## STEP 25: CENTER DECK SUPPORT AND HANGER

1: PLACE TWO 3/8" X 3" CARRIAGE BOLTS THROUGH A TORQUE WASHER AS SHOWN. USE HAMMER TO SET THE CARRIAGE BOLT AND TORQUE WASHER.

2: LINE THE CENTER DECK SUPPORT WITH THE CARRIAGE BOLTS UNDER THE DECK. PLACE THE LARGE IRON DUCTILE SWING HANGER OVER THE END OF THE CARRIAGE BOLTS. SECURE THE SWING HANGER WITH THE HARDWARE SHOWN.

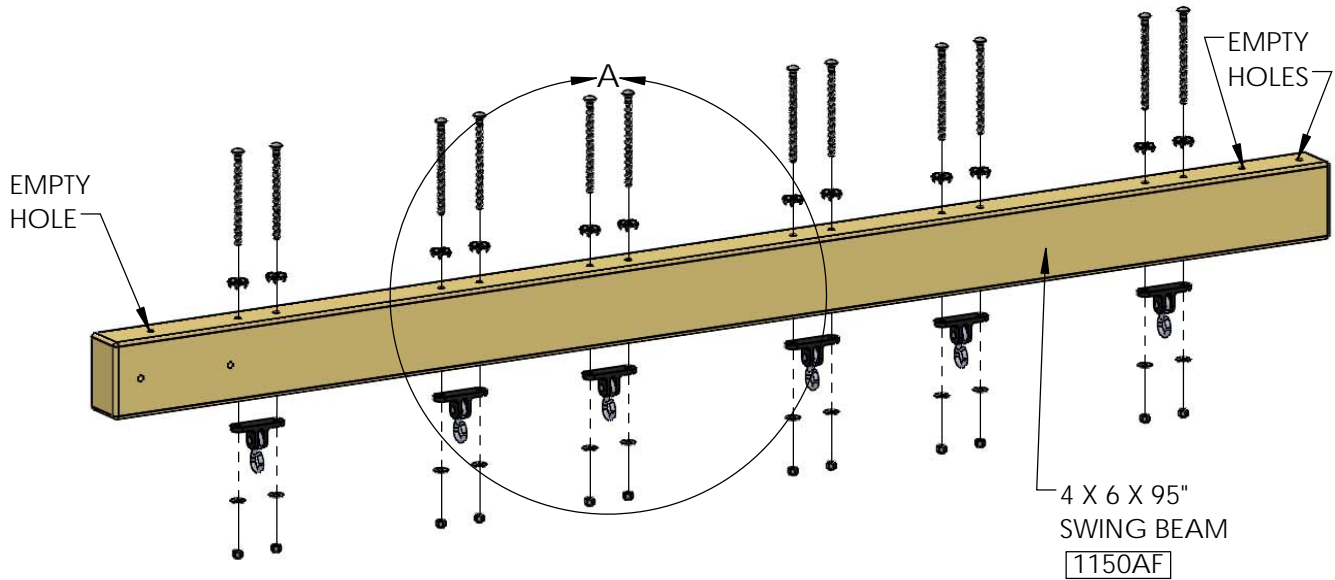
3: SECURE EACH DECK BOARD AND DECK SPACERS TO THE CENTER DECK SUPPORT WITH THE SCREWS SHOWN.



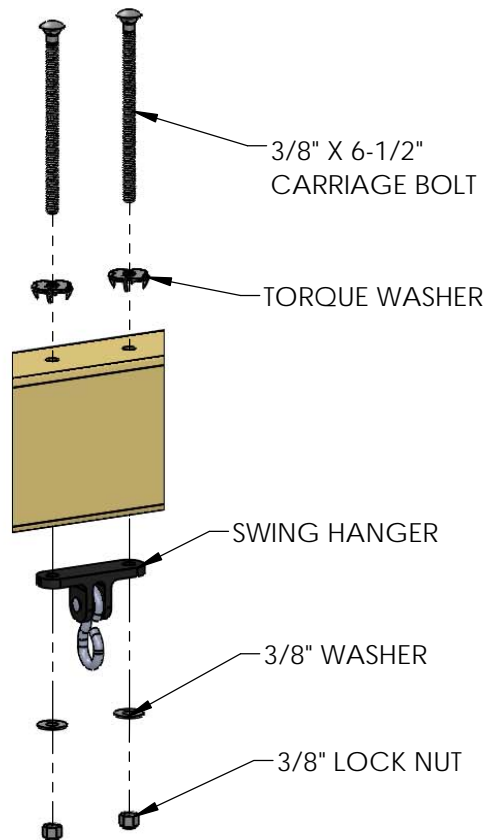
# STEP 26: SWING HANGERS

1: INSTALL SWING HANGERS AS SHOWN.

HINT: USE HAMMER TO TAP BOLT TO SEAT THE TORQUE WASHER TEETH.



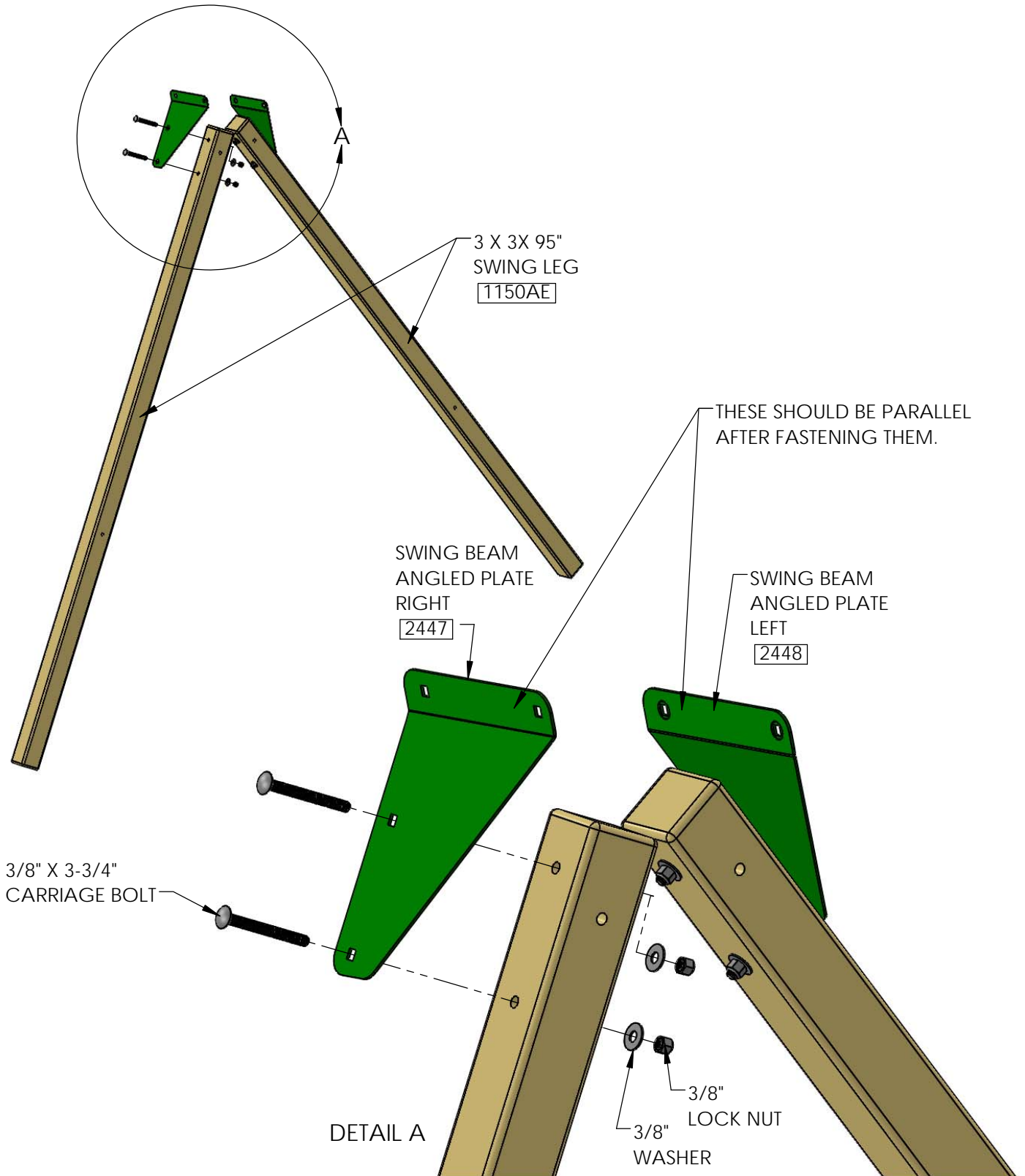
## DETAIL A



# STEP 27: SWING BEAM - ANGLED PLATES

1: INSTALL BRACKETS TO SWING LEGS AS SHOWN.

2: DO NOT TIGHTEN HARDWARE AT THIS POINT.

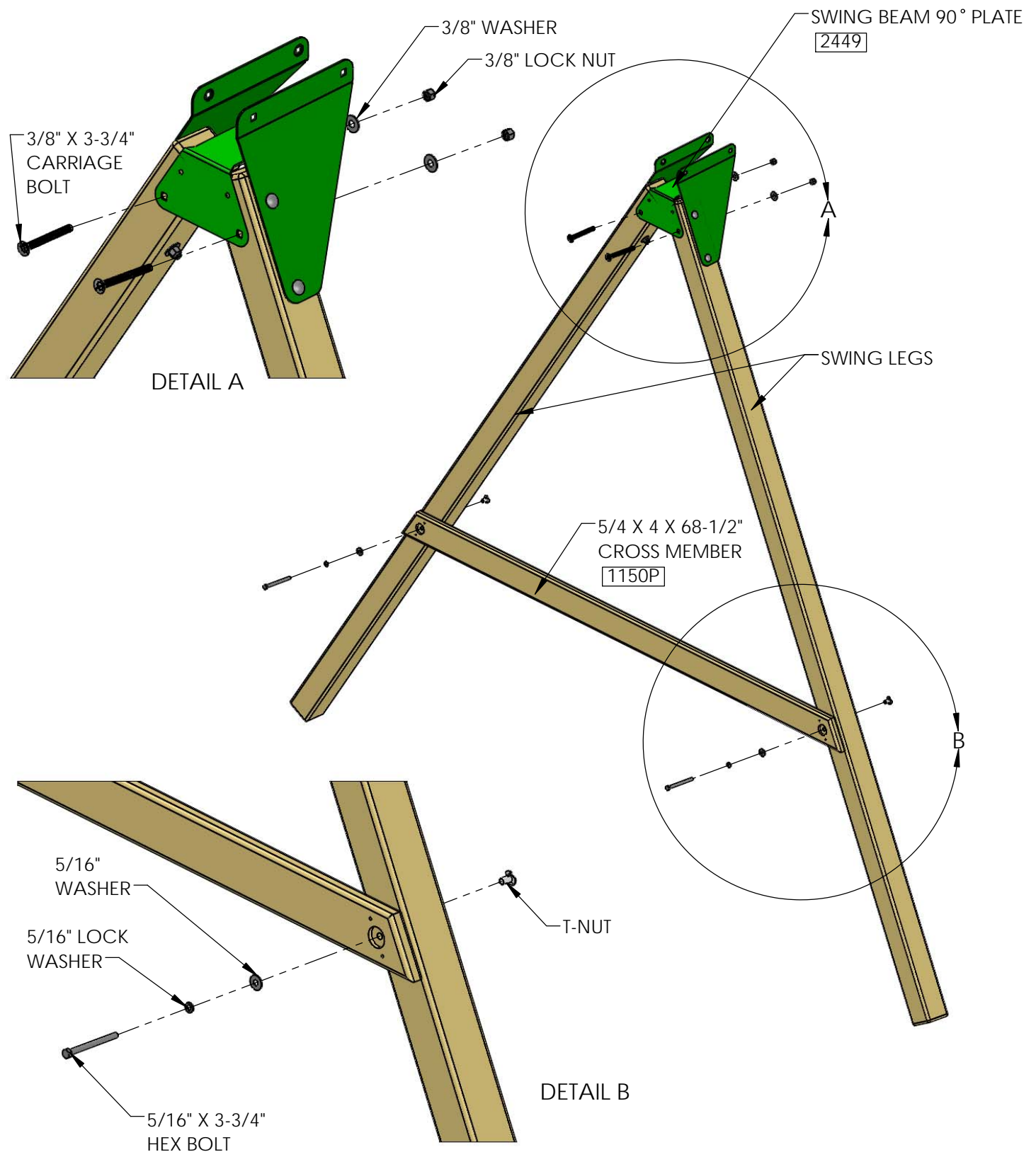


## STEP 28: SWING BEAM - LEGS

1: INSTALL BEAM 90° PLATE AS SHOWN.

2: ATTACH CROSS MEMBER AS SHOWN.

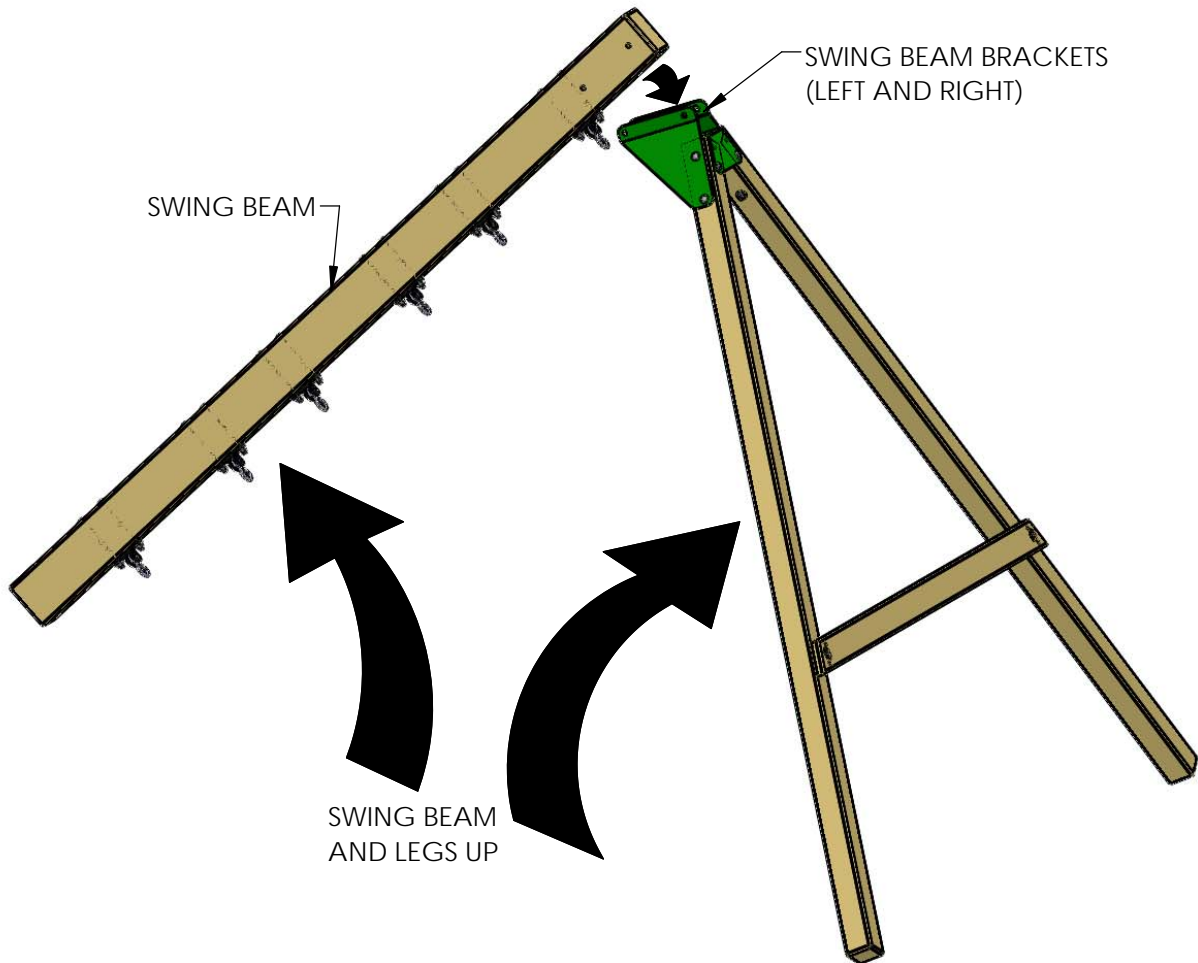
HINT: USE HAMMER TO INSTALL T-NUTS.





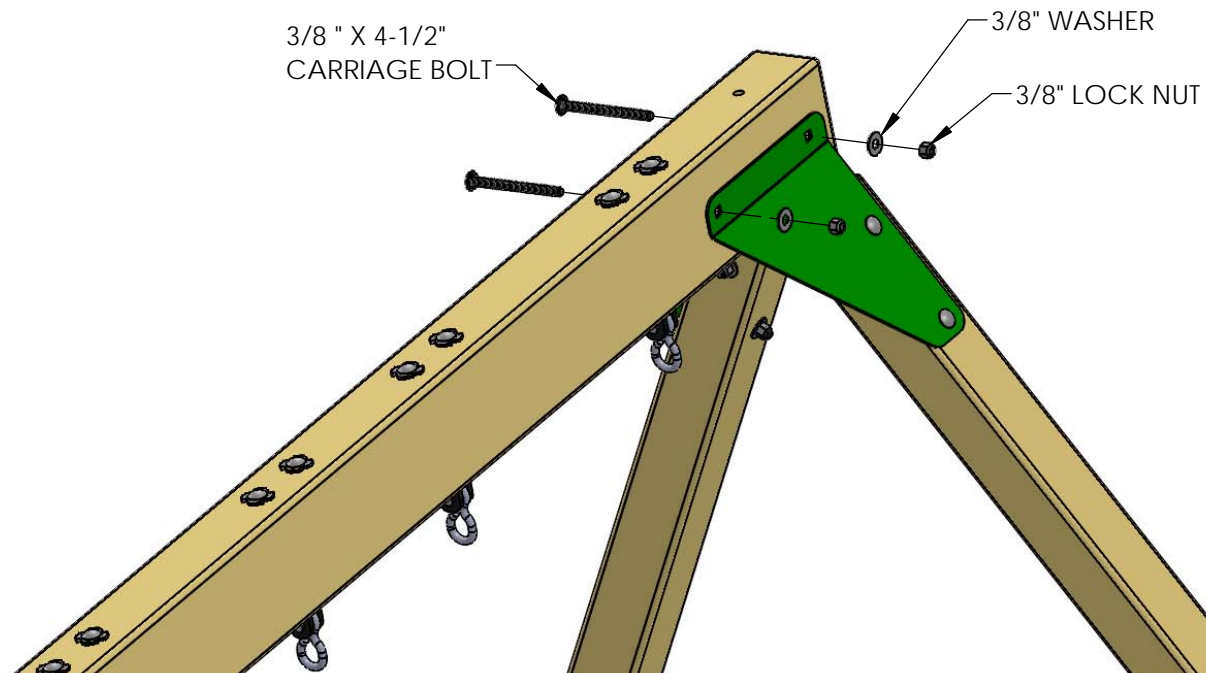
## STEP 29: SWING BEAM TO SWING BEAM LEGS

1: CAREFULLY PLACE THE SWING BEAM BETWEEN THE SWING BEAM BRACKETS (LEFT AND RIGHT) AS SHOWN IN THE DIAGRAM BELOW



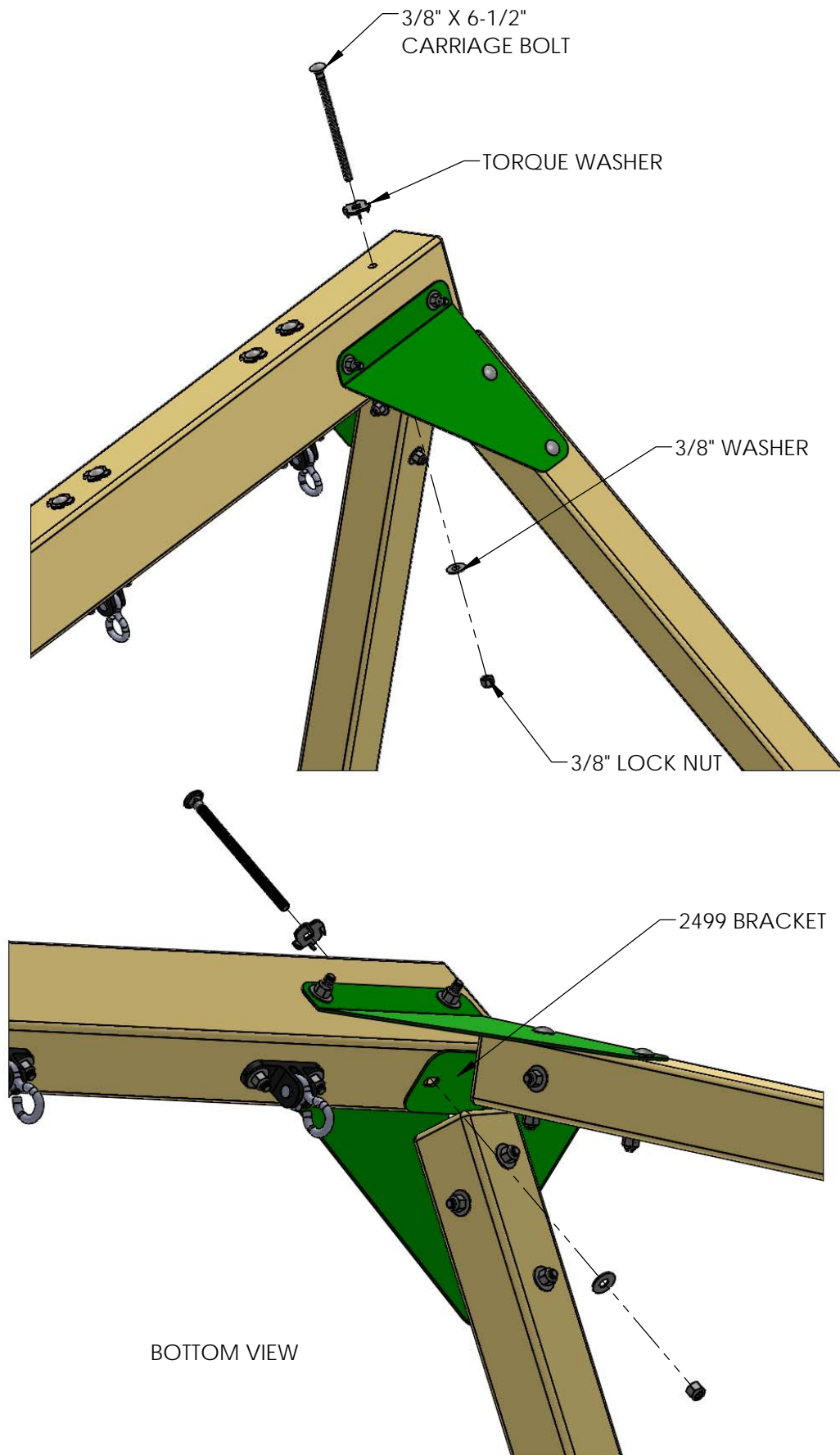
2: ASSEMBLE WITH FASTENERS AS SHOWN

**\*\*DO NOT FULLY TIGHTEN FASTENERS AT THIS POINT.**



# STEP 30: SWING BEAM TO SWING BEAM LEGS

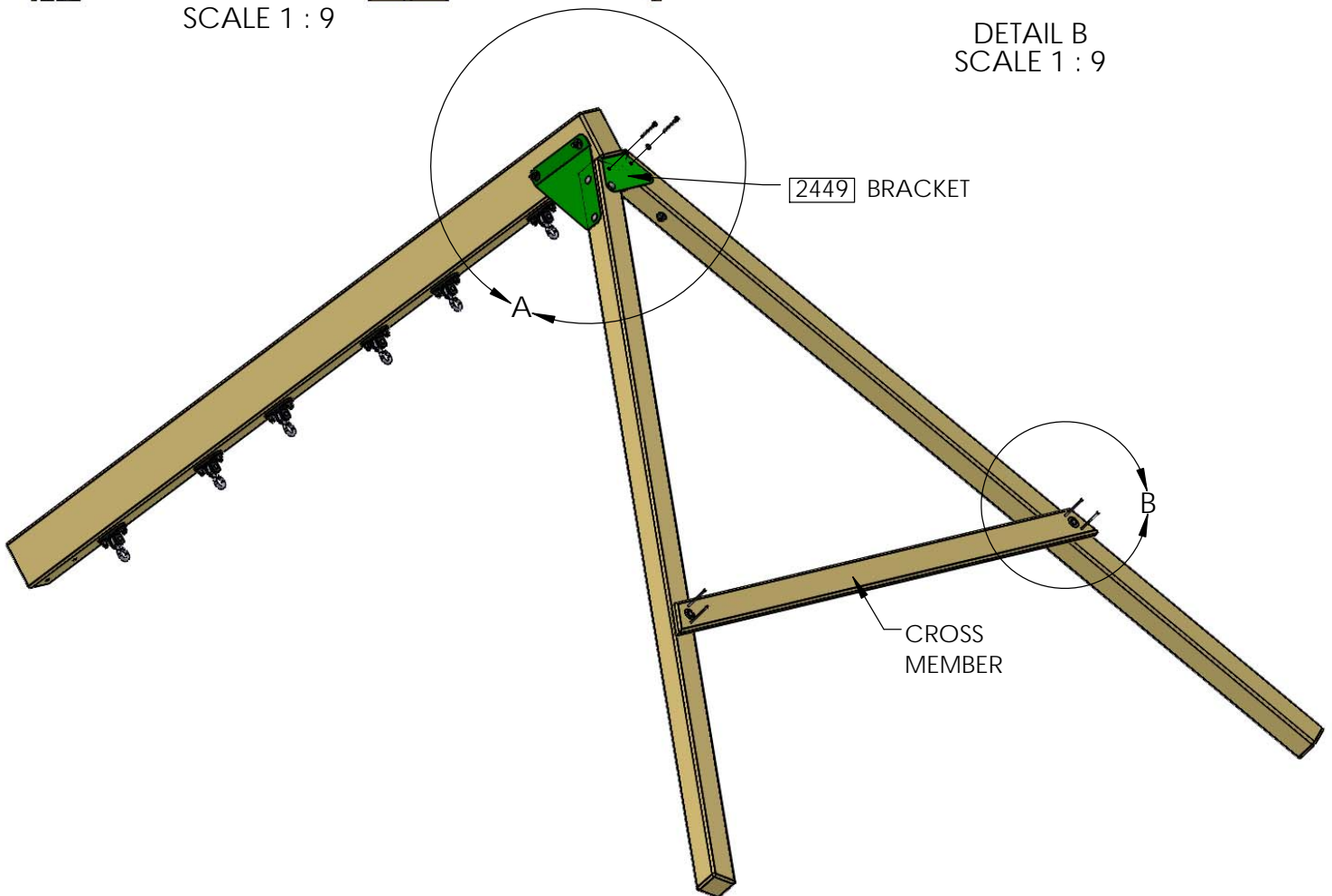
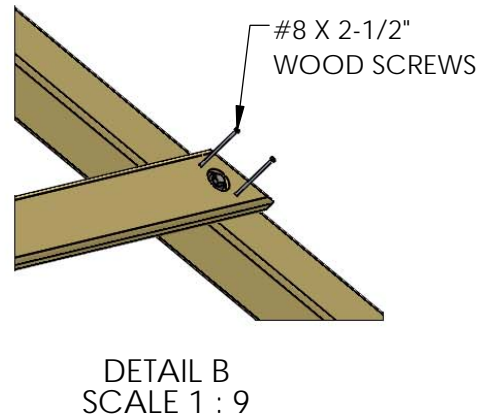
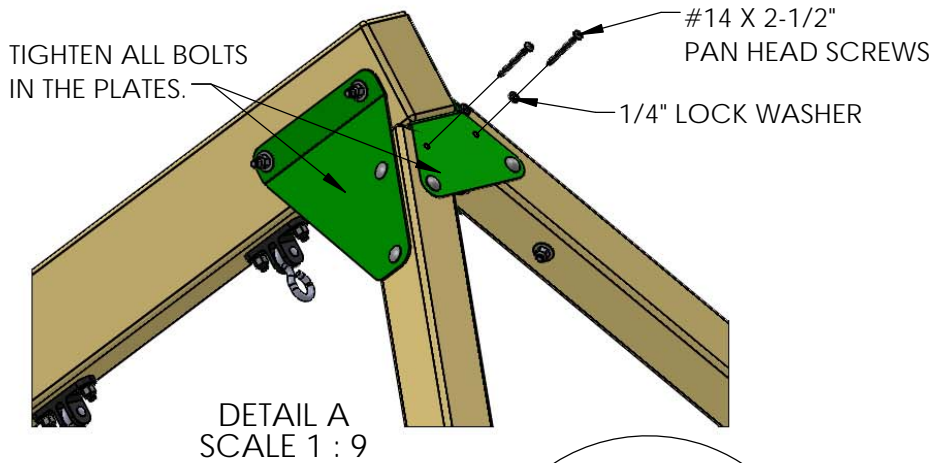
1: FASTEN THE SWING BEAM TO THE 2499 BRACKET WITH THE HARDWARE SHOWN.



# STEP 31: SWING BEAM - SCREWS

1: TIGHTEN UP ALL OF THE BOLTS AT THIS TIME.

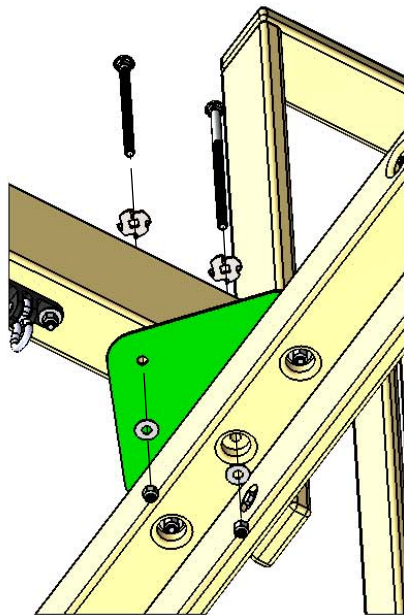
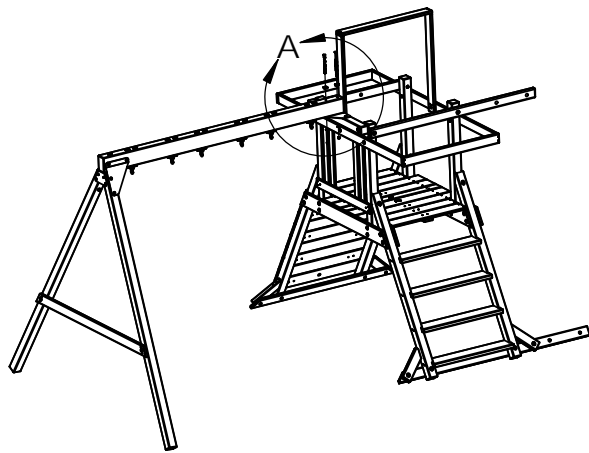
2: INSTALL SCREWS AS SHOWN BELOW.



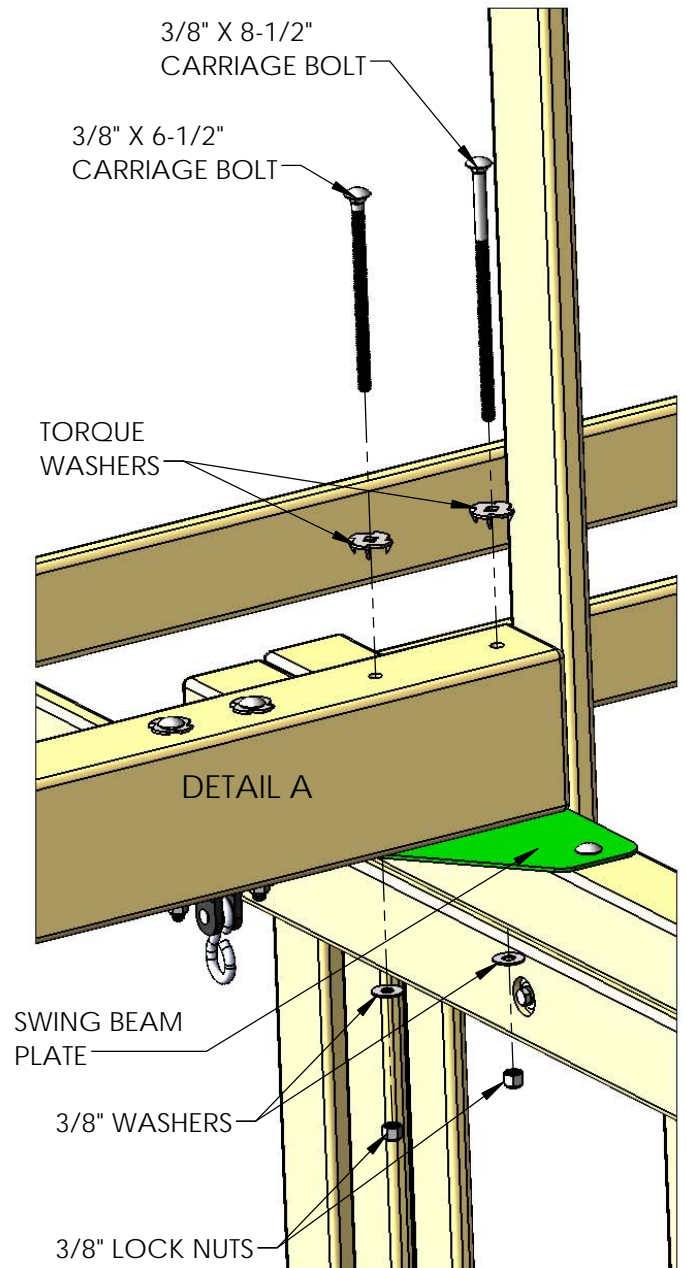
# STEP 32: SWING BEAM - ATTACH TO PLAY SET

1: PLACE SWING BEAM ON SWING BEAM PLATE AND ATTACH AS SHOWN.

HINT: USE HAMMER TO TAP BOLT TO SEAT THE TORQUE WASHER.



BOTTOM VIEW

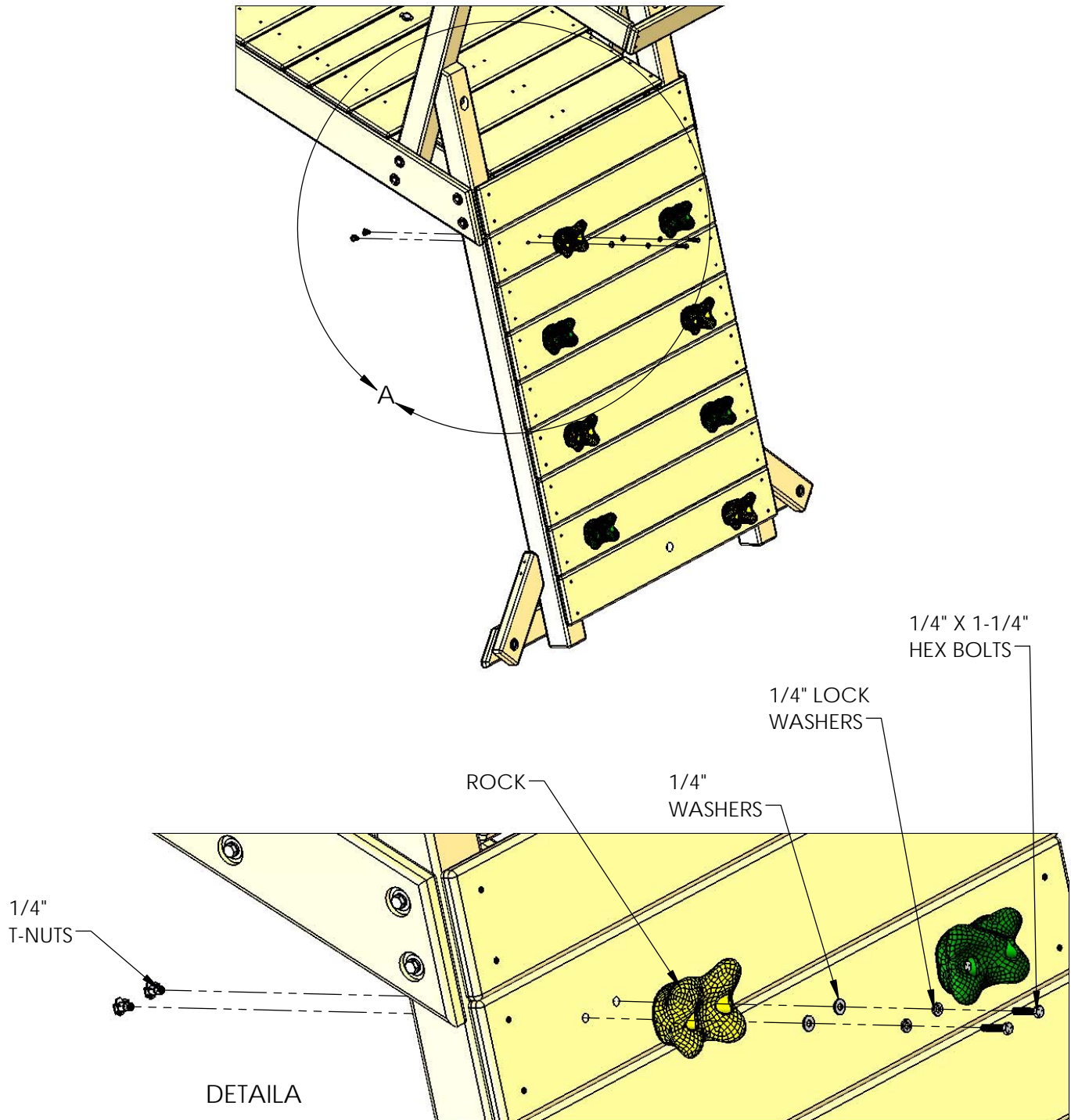


## STEP 33: INSTALLING THE ROCKS

THE ROCK BAG INCLUDES THE HARDWARE REQUIRED TO FASTEN THE ROCKS TO THE BOARDS.

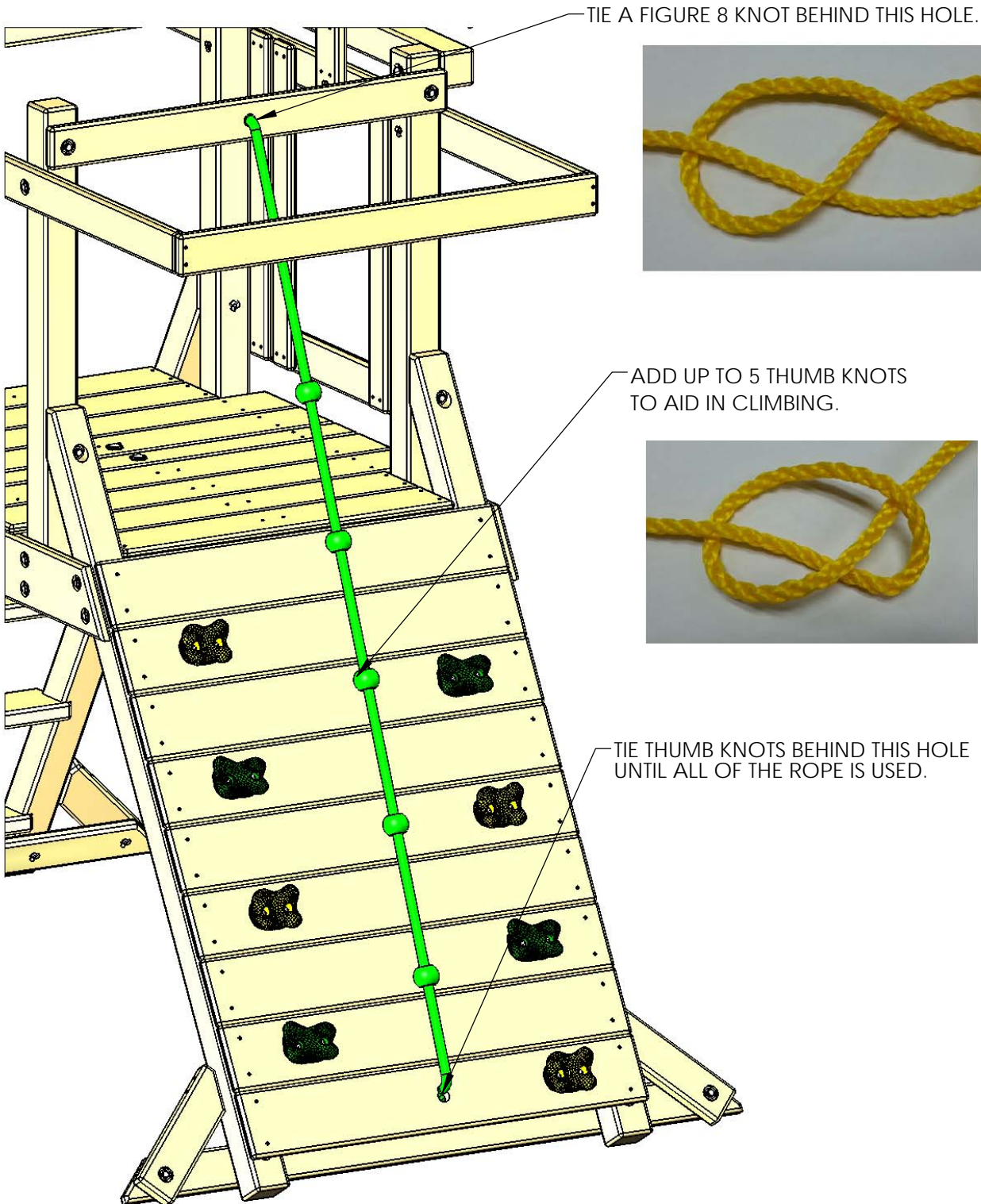
1: HAMMER TWO T-NUTS INTO THE BACK SIDE OF THE ROCK WALL BOARDS WITH PRE-DRILLED HOLES

2: FASTEN EACH ROCK TO THE ROCK WALL BOARD WITH THE HARDWARE SHOWN.



## STEP 34: CLIMBING ROPE

1: THREAD THE ROPE AS SHOWN IN THE DIAGRAM BELOW.



**FOR SAFETY, ENSURE THAT THE ROPE IS TIGHT ENOUGH SO THAT IT CANNOT BE LOOPED BACK ON ITSELF.**

KEEP TYING THUMB KNOTS AT THE BOTTOM END OF ROPE UNTIL THERE IS NO REMAINING LOOSE ROPE.

**DO NOT CUT ENDS OF ROPE.**

## STEP 35: ROPE LADDER

1: MAKE A FIGURE 8 KNOT IN THE END OF EACH ROPE AND THREAD THE FREE END THROUGH THE BACK SIDE OF THE ROPE LADDER SUPPORT. PULL EACH ROPE TAUT.

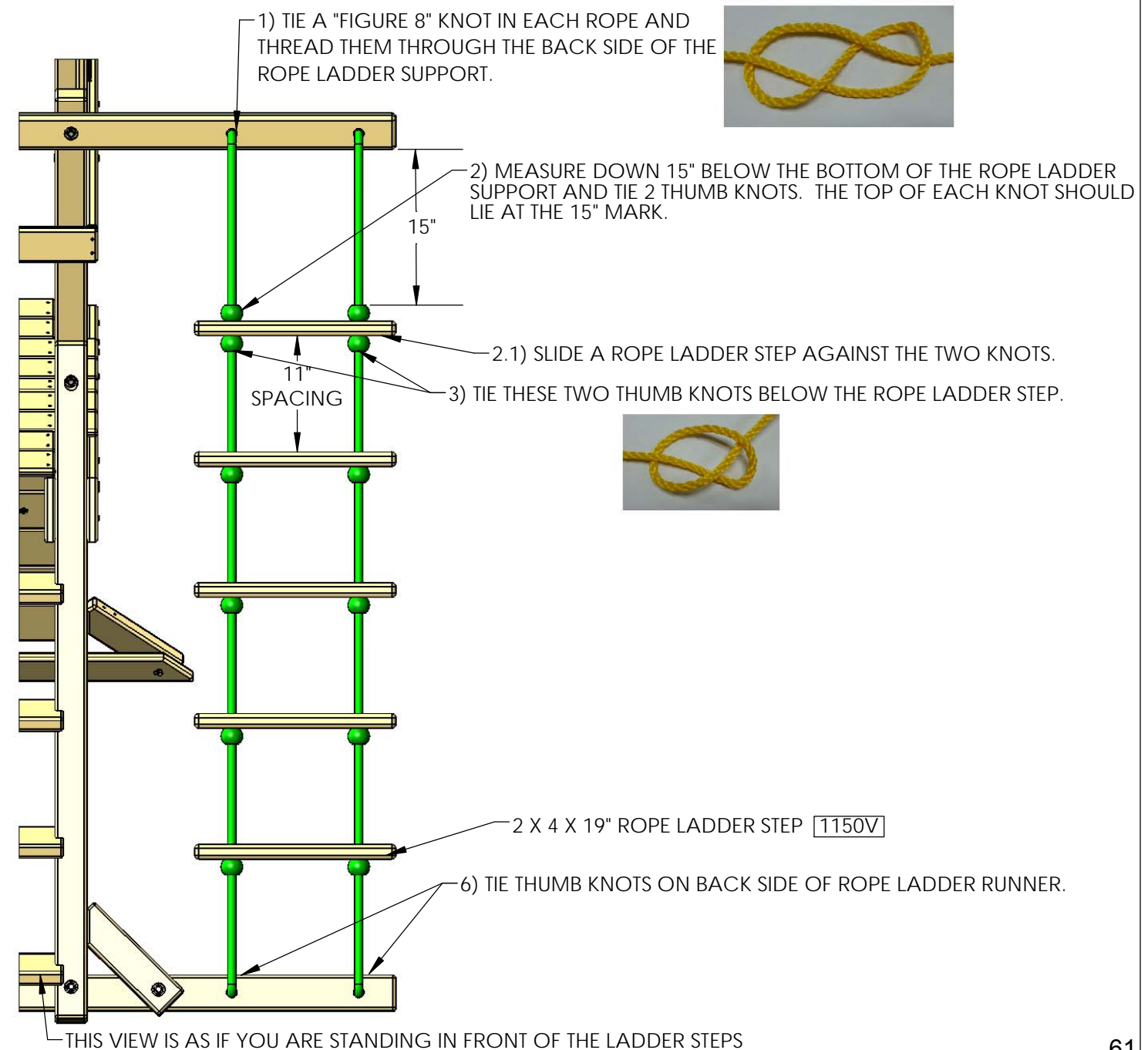
2: MEASURE FROM THE BOTTOM OF THE ROPE LADDER SUPPORT DOWN 15 INCHES AND TIE A THUMB KNOT. THE TOP OF THE KNOT SHOULD BE 15 INCHES BELOW THE BOTTOM OF THE ROPE LADDER SUPPORT. SLIDE EACH ROPE THROUGH THE HOLES IN ONE ROPE LADDER STEP. SLIDE THE STEP UP AGAINST THE BOTTOM OF THE KNOTS.

3: TIE TWO THUMB KNOTS BELOW THE ROPE LADDER STEP.

4: SPACE THE ROPE LADDER STEPS 11 INCHES APART. TIE TWO GRANNY KNOTS BELOW THE SECOND LADDER STEP.

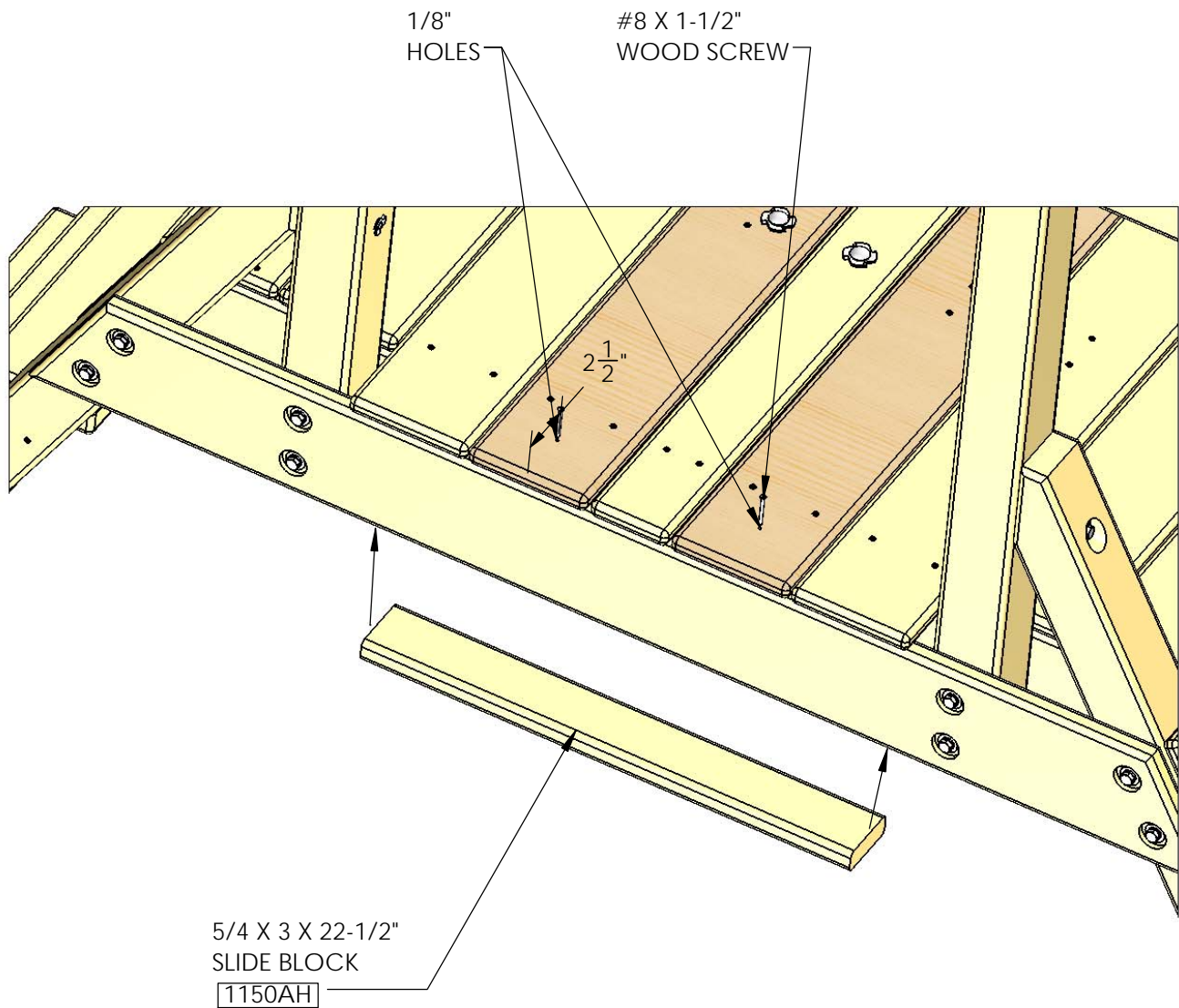
5: REPEAT SUBSTEP 4 FOR THE REMAINING LADDER STEPS.

6: THREAD ROPES THROUGH THE HOLES IN THE ROPE LADDER RUNNER AND TIE A GRANNY KNOT. GRAB EACH ROPE AND ATTEMPT TO WRAP IT AROUND YOUR HAND. IF THE ROPE WRAPS AROUND YOUR HAND IT IS TOO LOOSE. IF THE ROPE IS TOO LOOSE UNTIE THE KNOT BEHIND THE ROPE LADDER RUNNER AND RETIE IT UNTIL YOU CAN NO LONGER WRAP THE ROPE AROUND YOUR HAND. TIE GRANNY KNOTS IN THE ROPE UNTIL ALL OF IT IS USED.



## STEP 36: SLIDE BLOCK

- 1: DRILL TWO 1/8" PILOT HOLES AS SHOWN CENTERED ON THE WIDTH OF THE BOARD 2-1/2" FROM THE END.
- 2: PLACE THE SLIDE BLOCK UNDERNEATH THE DECK BETWEEN THE FORT SUPPORTS.
- 3: FASTEN THE SLIDE BLOCK TO THE DECK WITH THE SCREWS AS SHOWN.





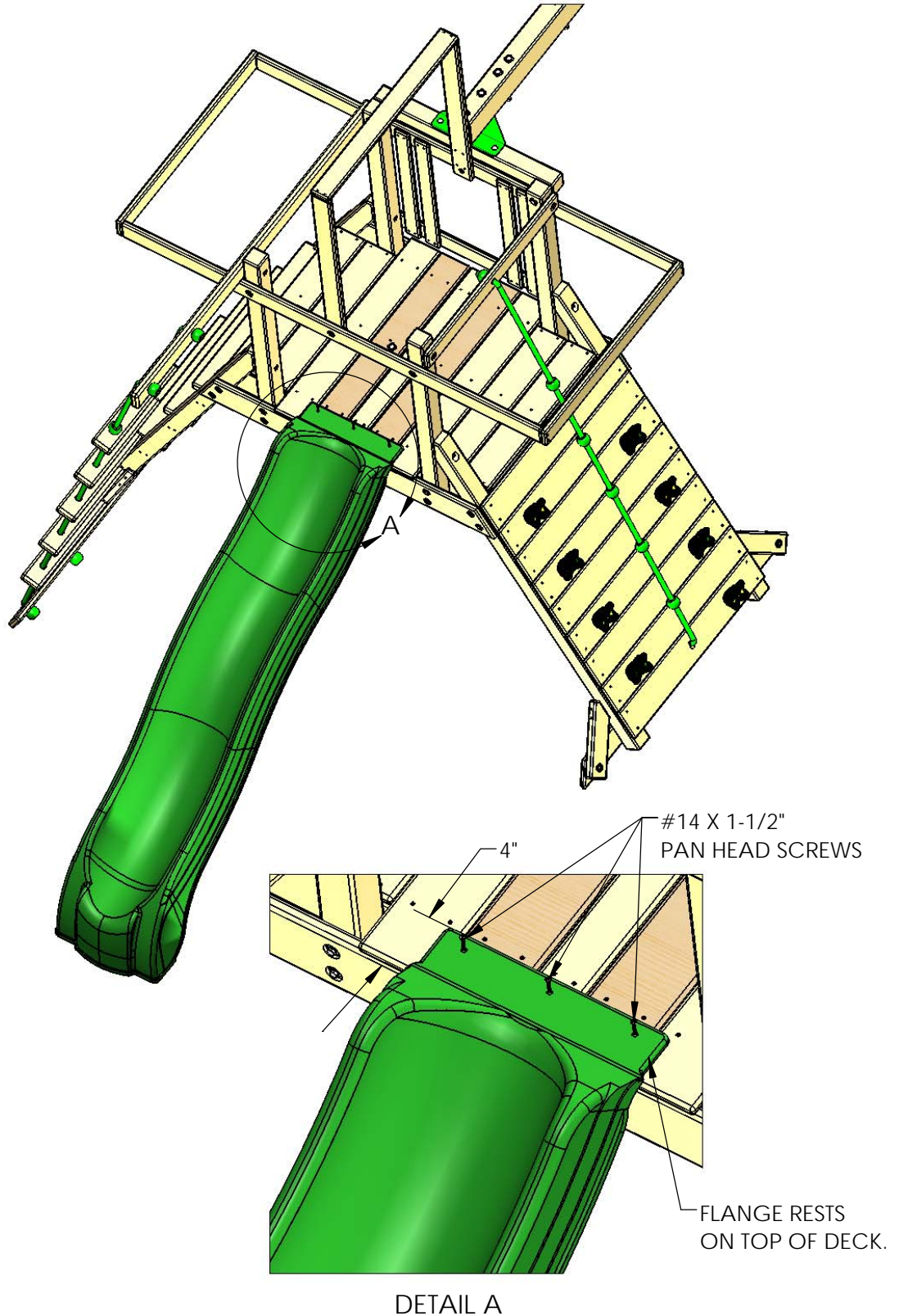
## STEP 37: INSTALLING THE SLIDE

1: PLACE THE SLIDE CENTERED IN THE OPENING AS SHOWN BELOW.

2: PLACE THE FLANGE END ABOUT 4" BACK FROM THE END OF THE DECK BOARDS.

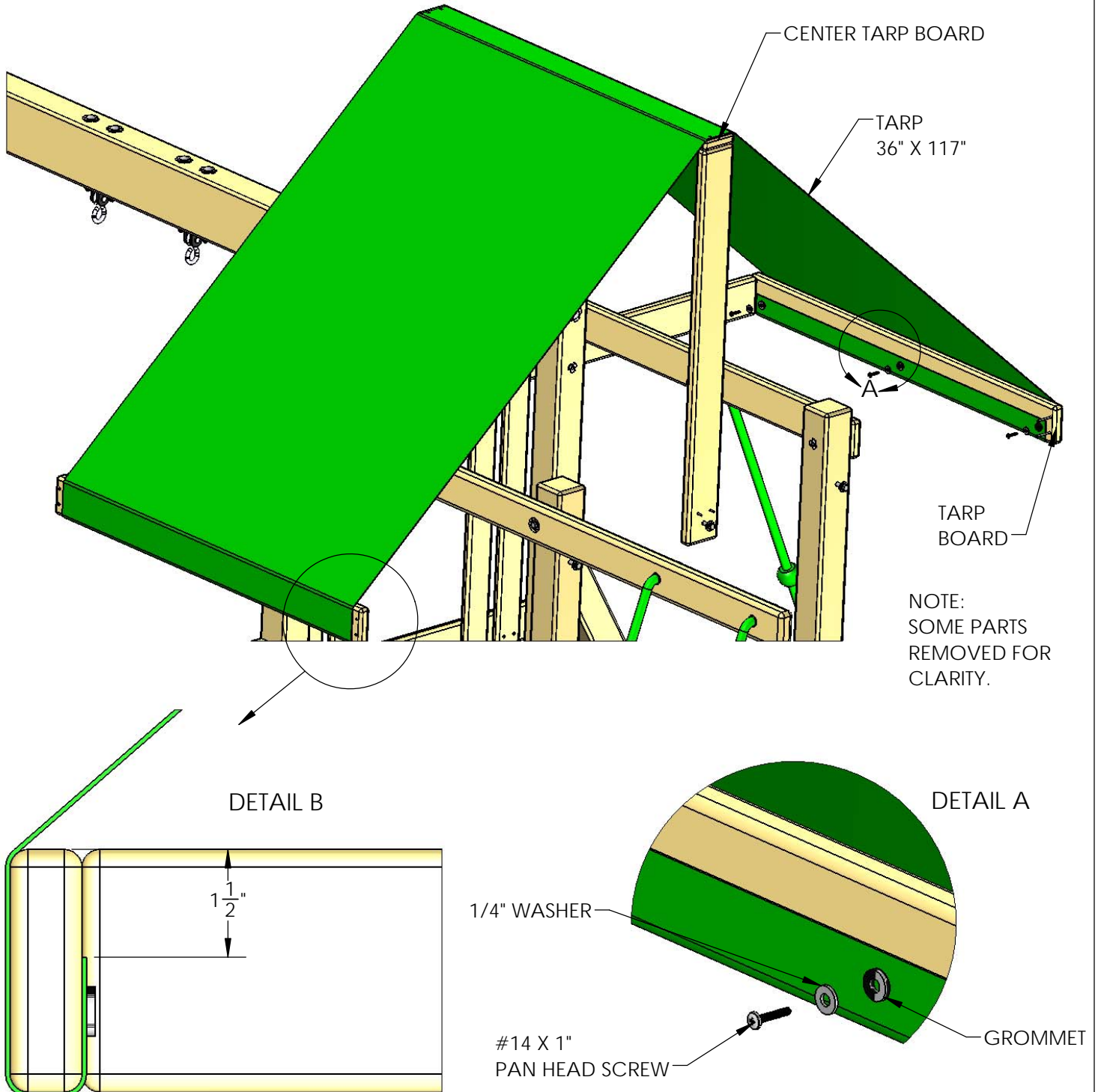
3: ATTACH THE SLIDE TO THE DECK BOARDS WITH THE SCREWS SHOWN.

NOTE: PREDRILL 1/8" HOLES THROUGH THE CENTER OF THE INDENTATIONS IN THE SLIDE FOR EASIER ASSEMBLY.



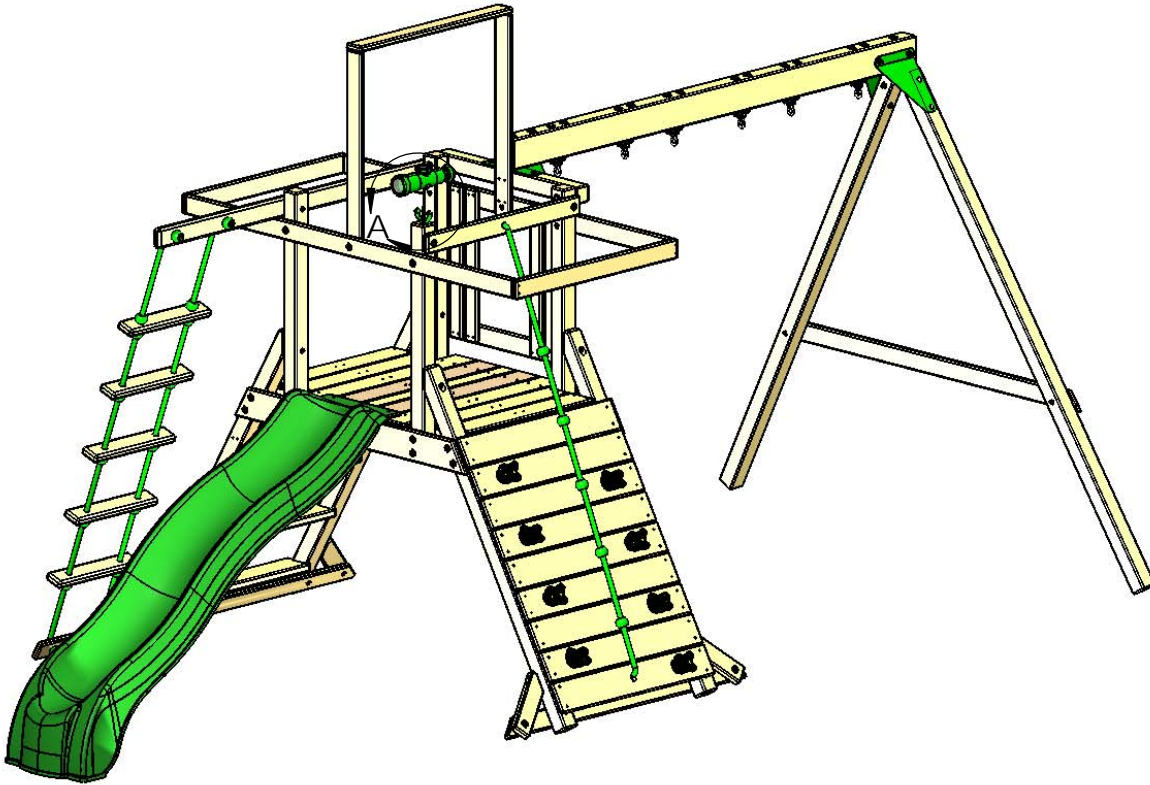
## STEP 38: TARP

- 1: LAY THE TARP OVER THE TOP OF THE CENTER TARP BOARD AND MAKE SURE THE HEM SIDE FACES DOWN.
- 2: WRAP TARP AT ONE END HOLDING TARP END 1-1/2" (DETAIL B) FROM TOP.
- 3: PRE-DRILL 1/8" HOLES AT THE GROMMETS AND ATTACH AS SHOWN (DETAIL A).
- 4: PULL TARP TIGHT AT THE OTHER END. MARK AND THEN PRE-DRILL 1/8" HOLES AT GROMMETS. ATTACH AS SHOWN.

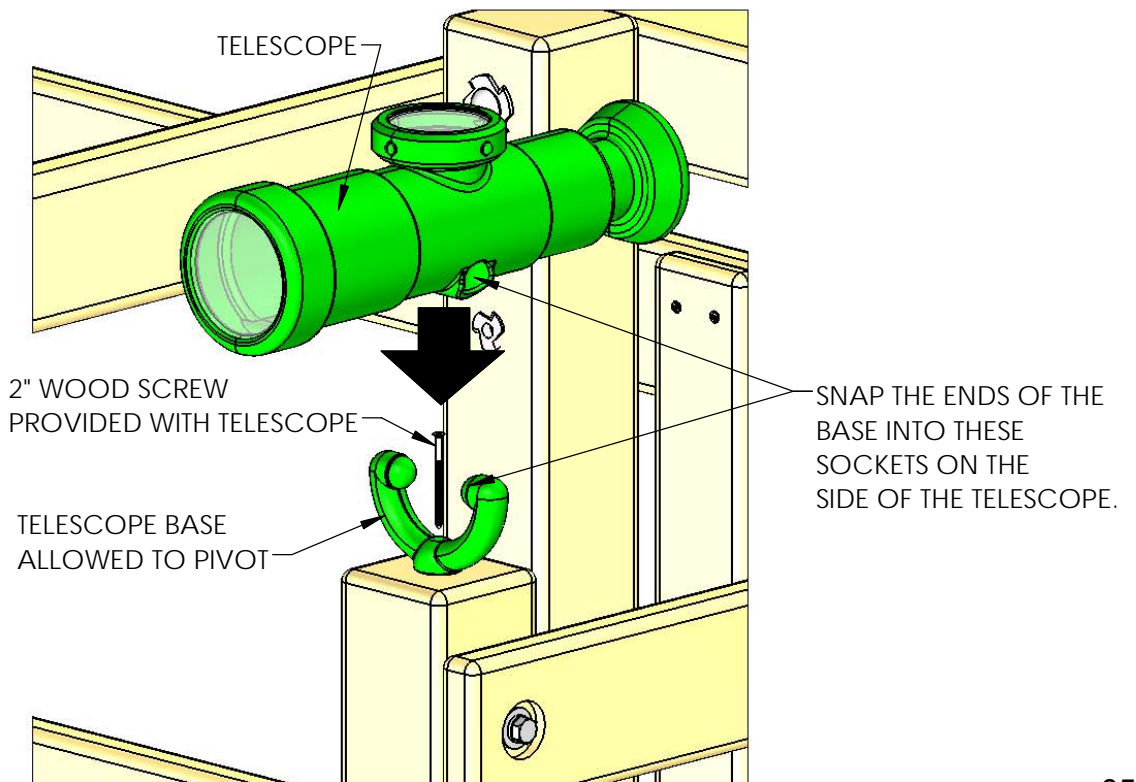


# STEP 39: TELESCOPE

1: MOUNT TELESCOPE AS SHOWN.

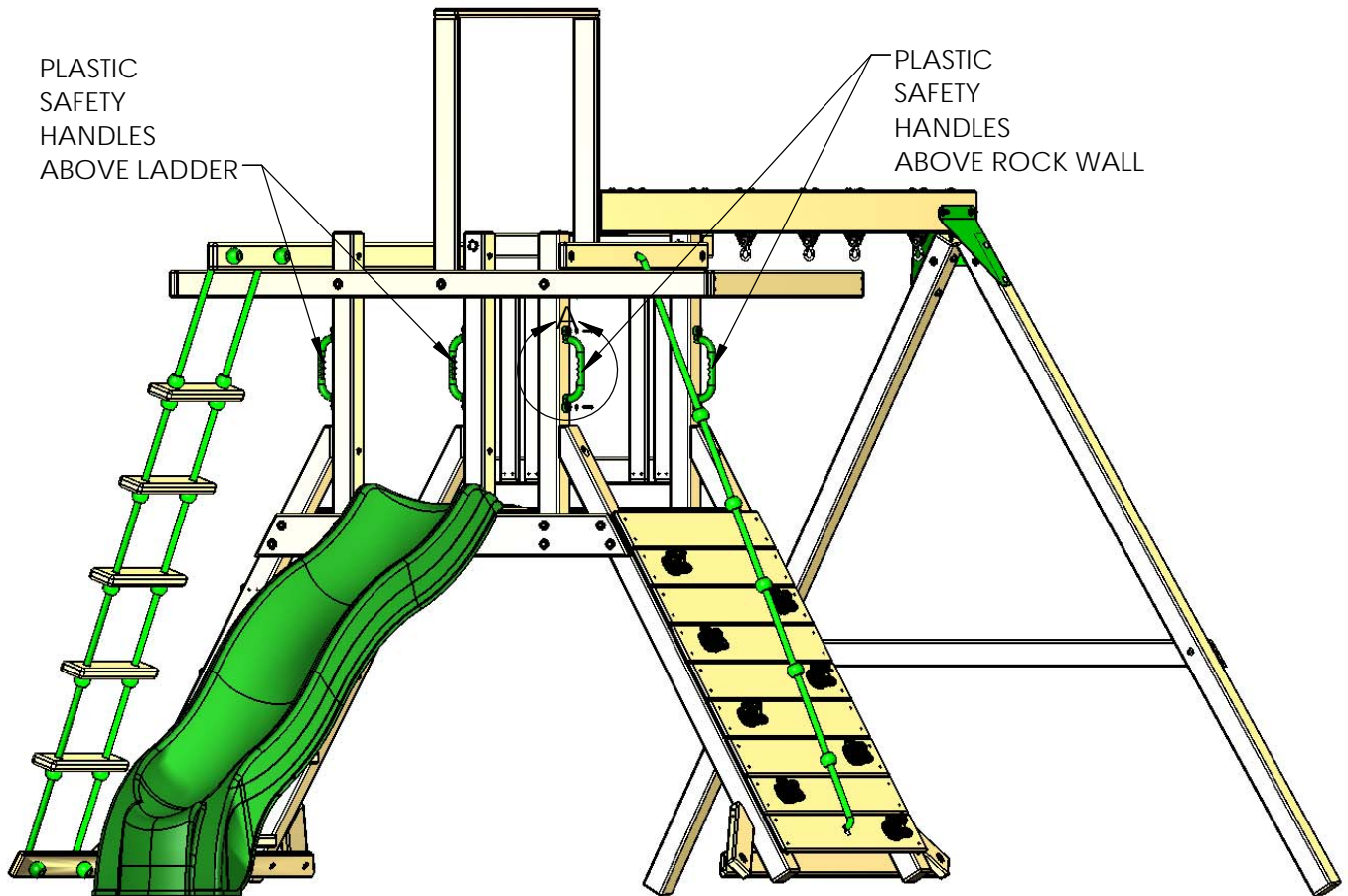


DETAIL A

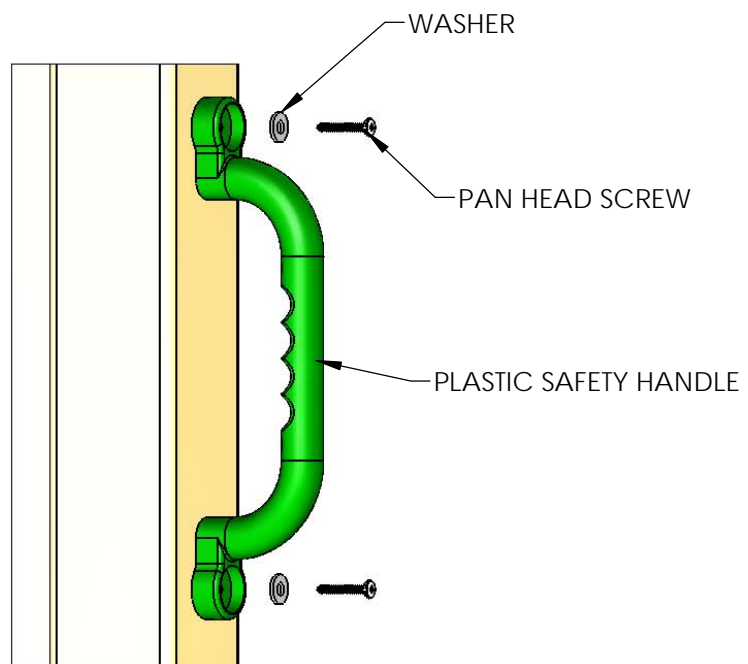


# STEP 40: SAFETY HANDLES

1: INSTALL SAFETY HANDLES AS SHOWN WITH THE HARDWARE INCLUDED.



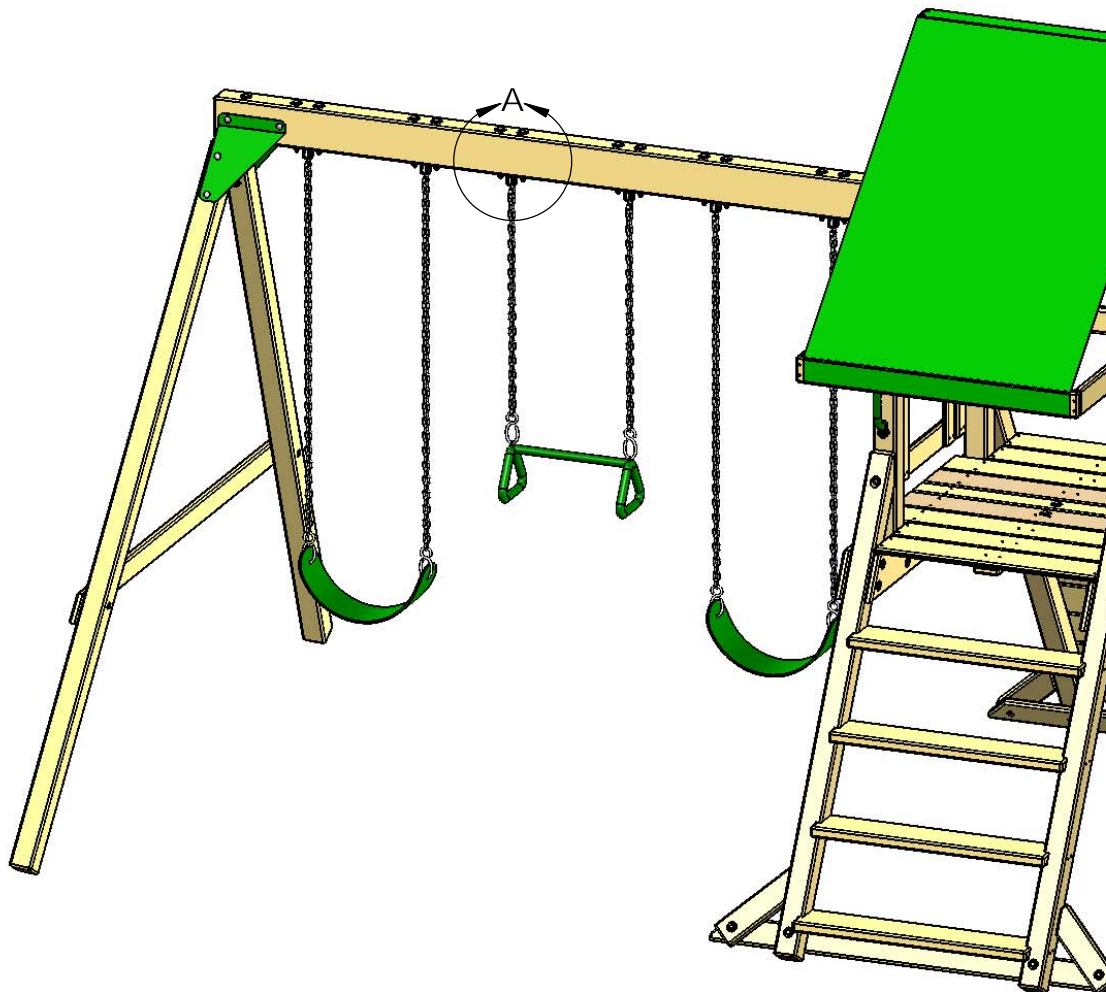
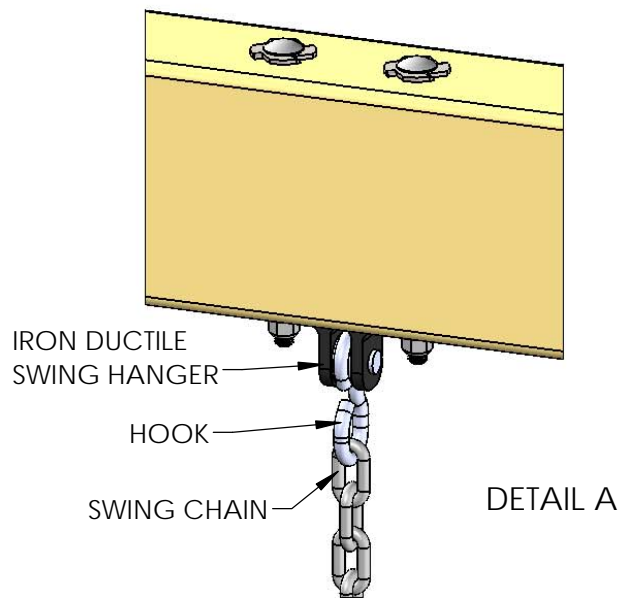
DETAIL A



## STEP 41: HANGING THE SWINGS

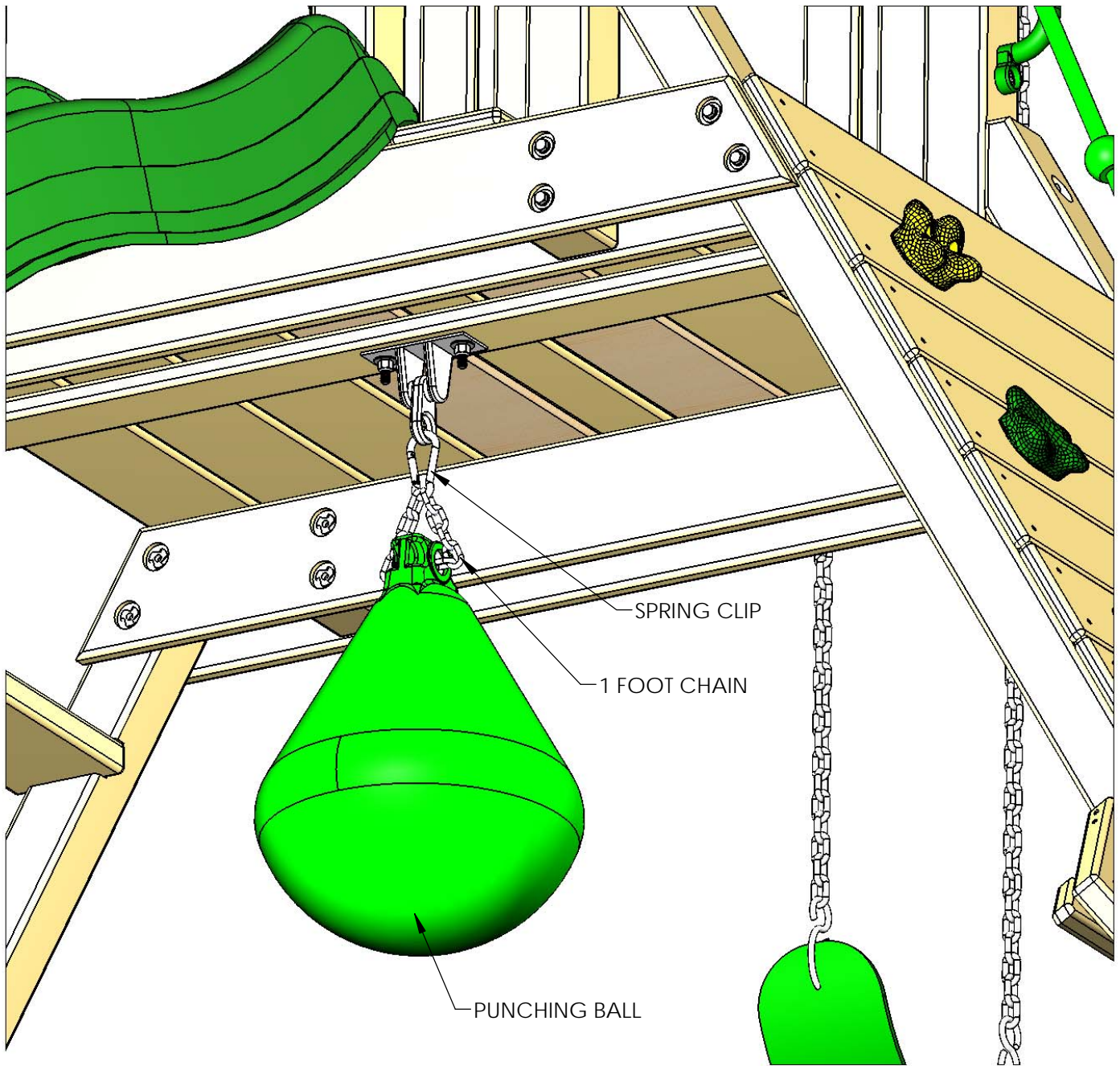
1: PLACE CHAINS ON SWING HANGER.

2: ADJUST HEIGHT AS REQUIRED.



## STEP 42: PUNCHING BALL

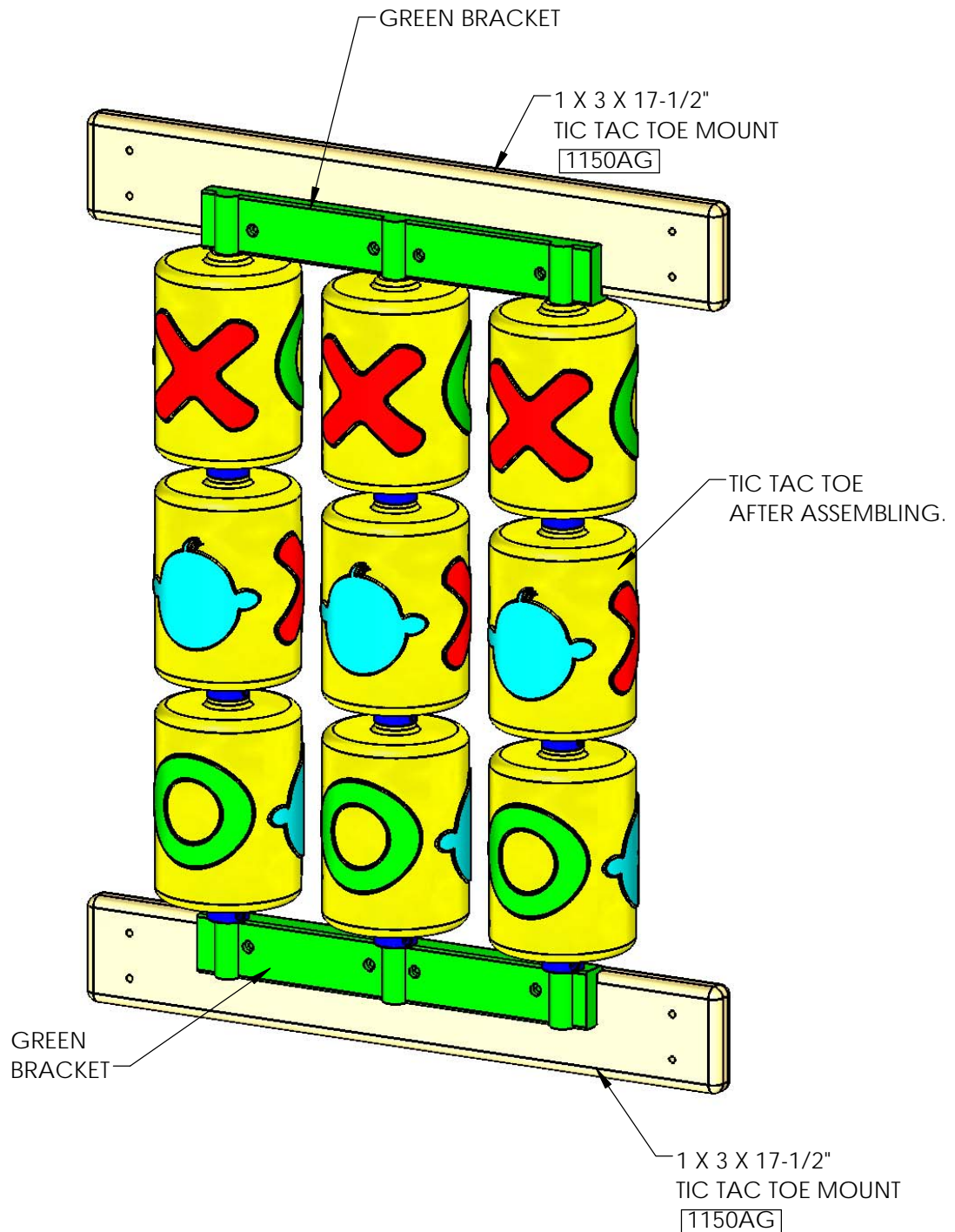
- 1: PLACE THE 1 FOOT SECTION OF CHAIN THROUGH THE HOLE IN THE PUNCHING BALL.
- 2: SNAP THE SPRING CLIP ONTO THE IRON DUCTILE SWING HANGER UNDER THE PLAY SET DECK.
- 3: SNAP THE ENDS OF THE CHAIN ONTO THE SPRING CLIP.



## STEP 43: TIC TAC TOE ASSEMBLY

1: FOLLOW THE INSTRUCTIONS IN THE BOX TO ASSEMBLE THE TIC TAC TOE OMITTING STEPS 6 AND 7.

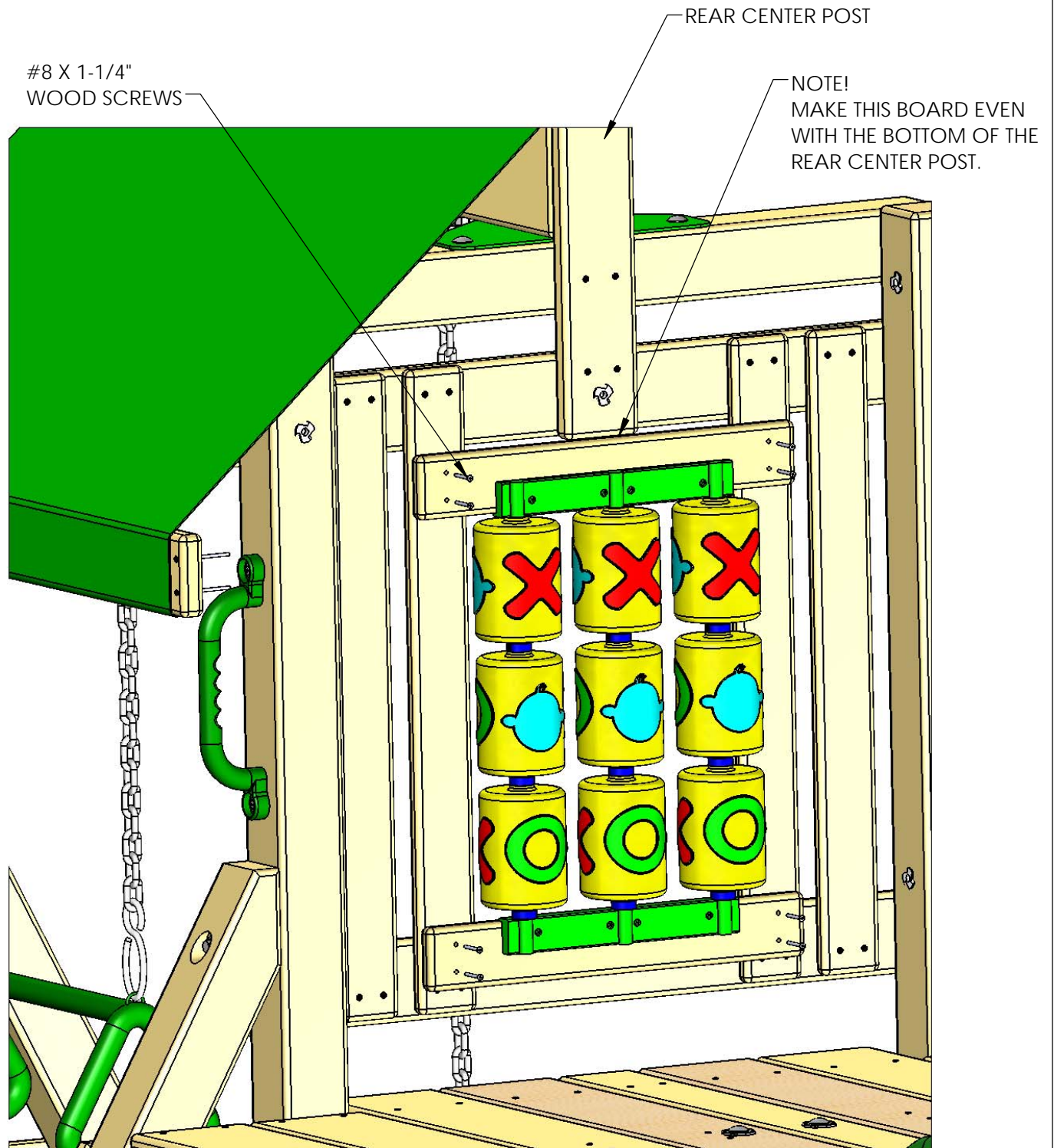
2: USE THE SCREWS INCLUDED WITH THE TIC TAC TOE TO ATTACH THE GREEN BRACKETS TO THE TIC TAC TOE MOUNTS. EACH GREEN BRACKET SHOULD BE CENTERED OVER THE TIC TAC TOE MOUNT.



## STEP 44: TIC TAC TOE INSTALLATION

1: CENTER THE TIC TAC TOE SIDE TO SIDE.

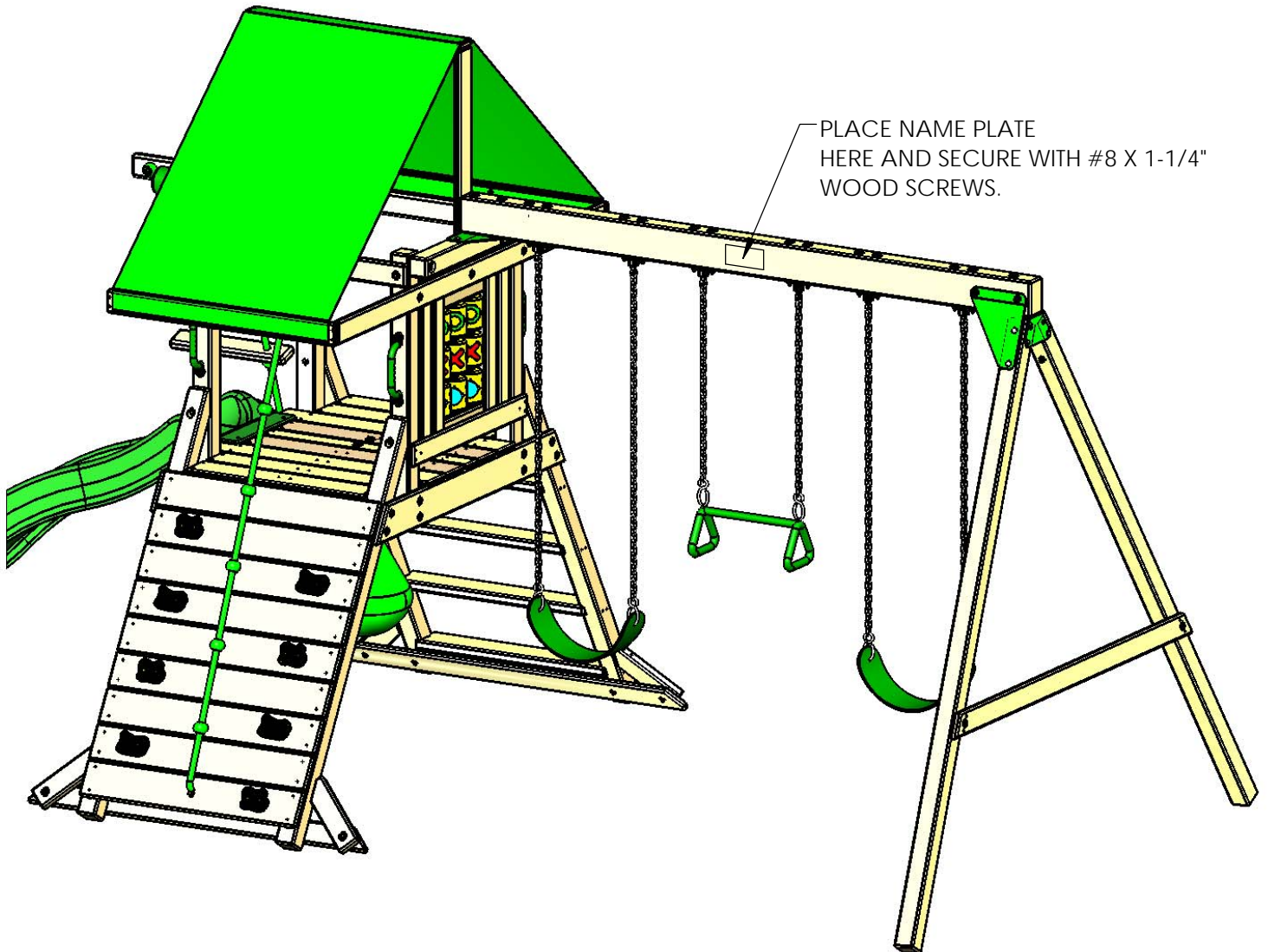
2: FASTEN THE TIC TAC TOE TO THE PANEL SLATS WITH SCREWS SHOWN.





## STEP 45: NAME PLATE

1: ATTACH THE ALUMINUM NAME PLATE CENTERED ON THE FRONT OF THE SWING BEAM WITH #8 X 1-1/4" WOOD SCREWS.



## STEP 46: GROUND STAKES

1: HAMMER A GROUND STAKE INTO THE EARTH NEXT TO EACH SWING LEG AT AN ANGLE. DO NOT HOLD THE UPPER PORTION OF THE STAKE.

2: ATTACH TO THE SWING LEG WITH THE HARDWARE PROVIDED WITH THE GROUND STAKE.

