



Kingdom Deluxe

ASSEMBLY MANUAL

Copyright © 2010 PlayNation Play Systems, Inc.

All Rights Reserved

www.PlayNation.com • 190 Etowah Industrial Court • Canton, GA 30114 • (800) 661-7295

8/20/2010

TABLE OF CONTENTS

Warranty and Safety Guidelines.....	Pages 3-10
Leveling Fort, General Information and Installation Guidelines.....	Pages 10-14
Kit Contents and Tool List.....	Page 15
Hardware and Lumber Checklist.....	Pages 16-24
Framing Fort.....	Steps 1-4
Mounting Deck	Step 5
Attaching Tire Swivel, Uprights and Side Rails.....	Step 6-8
Attaching Rope Ladder Support and Cross Support.....	Steps 9-10
Adding Wall Panels.....	Step 11
Attaching Tarp Boards and Tarp.....	Steps 12-14
Attaching Angle Supports.....	Step 15
Adding Climbing Rocks to Rock Wall.....	Step 16
Rope Ladder.....	Step 17
Swing Beam Assembly.....	Steps 18-25
Hanging Swings.....	Step 26
Attaching Safety Handles.....	Step 27
Flag Kits.....	Step 28
Tic Tac Toe Panel.....	Steps 29-31
Telescope.....	Step 32
Steering Wheel.....	Step 33
Dinner Bell.....	Step 34
Assembling Monkey Bars and Crow's Nest. Attaching Super Scoop Slide...	Step 35-50
Warranty Card.....	Last Page



**PLEASE READ OWNER'S MANUAL CAREFULLY
BEFORE STARTING ASSEMBLY!**

IMPORTANT – PLEASE READ

As fresh lumber acclimates to its new environment, the natural tendencies of the tree can show itself in the form of checks, or “cracks” in the lumber. In almost all cases this is normal and it will not affect the structural integrity of your play set.

Cosmetic defects that do not affect the structural integrity of the product, or natural defects of wood such as warping, checking or any other physical properties of wood that do not present a safety hazard, are not covered by this warranty. Defects that develop because the product is exposed to extreme climate conditions are not covered by this warranty. Defects that develop as a result of faulty or improper installation of the product are also not covered by this warranty.

Most cracks are not warrantable, however if you believe that the integrity of your play set is compromised by this natural occurrence, please follow the warranty claim procedure found at www.playnation.com. Click on the “Customer Care” tab on the left hand side of the page, then click on “Warranty Claim” and follow the instructions.

We appreciate your purchase and know that you will enjoy your play system for many years to come.

IF YOU HAVE MISSING OR DAMAGED PARTS OR NEED ASSISTANCE ASSEMBLING, PLEASE CALL PlayNation Play Systems, Inc. MANUFACTURING DIRECT.(800) 445-7529 FACTORY HOURS – MON.–FRI., 8AM-5PM EST DO NOT RETURN THIS PRODUCT TO THE RETAILER OR CONTACT THE RETAILER DIRECT. THE RETAILER DOES NOT STOCK COMPONENTS. PLEASE RETAIN THESE INSTRUCTIONS FOR FUTURE REFERENCE. KEEP THEM IN A SAFE PLACE WHERE YOU CAN REFER TO THEM AS NEEDED.

CONTACT INFO:

PlayNation Play Systems, Inc.
190 Etowah Industrial Court
Canton, GA 30114
Tel. (770) 704-9300
Fax. (678) 880-3300
custsrv@playnation.com

Check for revised instructions at www.playnation.com/instructions.html



Thank you for choosing Playnation Play Systems, Inc.

We've included everything you need, except tools, to build your very own professional looking play set. When complete, your new play set should far exceed the quality of play set kits from other build-your-own companies. Our engineers and design team have over 30 years of playground experience. What we've developed is a play set that doesn't compromise quality for simplicity. Yet you'll appreciate how quick and easy construction really is! Our play set kits are designed for children ages 3 to 11. Playnation Play Systems, Inc. believes every child should have a play set and with our kits they can! You can rest assured your new play set is safe, durable and designed to hold up to the elements. As parents ourselves, we know how important the security and well-being of our children is, and this shows in all of our products.

Each play set features our step-by-step 3D illustrated manual, patented powder coated swing beam bracket, heavy-duty swing belts with chains, slide(s), accessories, plus all the required hardware and pre-milled lumber.

NOTES FOR BUILDING THIS PLAYSET: Our 2010 Catalog photographs and online photographs show this playset with the Swing Set on the LEFT of the playset. This manual is written for building the playset with the Swing Set on the RIGHT of the playset.

If you wish to build your playset as depicted in our 2010 Catalog photographs and online photographs please do the following:

In Step 1: Reverse the 4 x 4 x 108" Rope Ladder Runner so it extends to the RIGHT instead of the LEFT as shown.

In Step 8: Reverse the placement of the 4 x 4 x 96" Side Rail and the 4 x 4 x 96" Swing Beam Rail.

In Step 9: Reverse the 4 x 6 x 103" Rope Ladder Support so it extends off the RIGHT side of the fort instead of the LEFT side as shown.

In Step 11: Place the Wall Panel above the Rock Wall to the RIGHT SIDE instead of the LEFT SIDE as shown.

In Step 17: Install Rope Ladder. The picture will show it on the LEFT side of the fort but you will install it on the RIGHT side of the fort.

Should you have any difficulties please contact us.

Limited Manufacturers Warranty

PlayNation Play Systems, Inc. (“PlayNation”) warrants its play sets to be free from defects in workmanship and materials, under normal use and conditions at its original installation, for 10 years for structural wood components and for one year for all other components (e.g., hardware, plastics, tarps, rope ladder, etc.)

Cosmetic defects or natural defects of wood (e.g., warping, seasonal checking or cracking, knots, or knot holes, etc.) that do not affect the structural integrity of the product are not covered by this warranty. Defects that develop because the product is exposed to extreme climate conditions, or that develop as a result of faulty or improper installation of the product, are not covered by this warranty. Fading or discoloration of any part or accessory, cracks in plastic components, surface rust on hardware, and chips on powder coated materials are not considered defects in material as long as they do not affect the functionality or structural integrity of the part or component.

It is the owner’s responsibility to properly maintain the play set. Instructions for proper maintenance can be found on PlayNation’s website. Imperfections or defects that develop because of a failure to properly maintain the play set are not covered by this warranty.

PlayNation will repair or, at its discretion, replace any part within the stated warranty period that is defective in workmanship or materials. This decision is subject to verification of the defect, which, at PlayNation’s discretion, may be accomplished by submitting photographs or by delivery of the defective part to PlayNation. Any warranty claim must include proof of purchase, including the date of purchase.

This warranty is valid only if the product is used for the purpose for which it was designed and installed at a residential, single-family dwelling. This warranty is void if the product is used for commercial, institutional or multi-family dwelling use. This warranty does not cover (a) products that have been damaged by acts of God, negligence, misuse, or accident, or that have been modified or repaired by unauthorized persons; (b) the cost of labor; or (c) the cost of shipping the product, any part, or any replacement product or part.

PLAYNATION DISCLAIMS ALL OTHER REPRESENTATIONS AND WARRANTIES OF ANY KIND, EXPRESS, IMPLIED, STATUTORY, OR OTHERWISE, INCLUDING THE IMPLIED WARRANTIES OF MERCHANTABILITY AND FITNESS FOR A PARTICULAR PURPOSE. GORILLA WILL NOT BE LIABLE FOR ANY INCIDENTAL OR CONSEQUENTIAL DAMAGES. This warranty is valid only in the United States of America, is nontransferable and does not extend to the owners of the product subsequent to the original purchaser, and only applies to the product as originally installed (in other words, installing the product and then later disassembling and reinstalling the product at the same or another location voids the warranty). Some states do not allow limitations on implied warranties or exclusion of incidental or consequential damages, so these restrictions may not be applicable to you. This warranty gives you specific legal rights. You may also have other rights which vary from state to state.

Important Safety Guidelines

This product is intended for residential use only and not intended for use in any public setting. A safety surface such as mulch or recycled tire should be used under the play set to prevent injury from falls. Also a 6 foot safety zone should be used around the entire play set.

As with any home project, good judgment and respect for power tools will greatly reduce the risk of injury. PlayNation recommends you follow all tool manufacturers' safety guidelines. Always wear eye protection and safety gloves to prevent injury. In several phases of construction two people may be required for lifting and securing of lumber. While play set is being constructed, please keep children off the equipment until the project is complete. Bolts and screw heads should be checked regularly for tightness. The ground ladder, rope ladder, slide, swings and other areas where children spend a majority of their playtime should be checked more frequently.

PlayNation shall not be liable for incidental, indirect or consequential damages or injuries that result from the building and/or playing on our play sets. Adult supervision is recommended anytime a play set is being used.

WEIGHT LIMITS FOR PlayNation Play Systems

- FORT PLATFORMS: 800 LBS. TOTAL WEIGHT
- SWING BELTS: 175 LBS.
- GLIDER SWINGS: 70 LBS. PER CHILD
- TRAPEZE: 125 LBS.
- FULL BUCKET SWING: 50 LBS.
- TODDLER BUCKET SWING: 50 LBS.
- INFANT SWING: 35 LBS.
- TIRE SWING: 125 LBS. TOTAL WEIGHT
- ROPE LADDER: 75 LBS.
- ROCK WALL: 150 LBS.
- ALL SLIDES: 125 LBS.

PlayNation recommends that the weight limits for all components must not be exceeded. Failure to adhere to these and other safety guidelines could result in damage to the play set and injury to the users.

Safety and Maintenance Tips for Your New Play Set:

NOTE: Your children's safety is our #1 concern. Observing the following statements and warnings reduces the likelihood of serious or fatal injury. Please review these safety rules regularly with your children.

- This play set is designed for the use of 4 occupants who have a combined weight not exceeding 800 pounds on the elevated floor, 3 occupants who have a combined weight of 525 pounds on the swing area, for a total unit capacity of 7 occupants who have a combined weight of 1325. (this weight is not including the picnic table area)
- On-site adult supervision is required.
- Teach children not to walk close to, in front of, behind, or between moving swings or other moving playground equipment.
- Teach children to sit in and never stand on swings.
- Teach children not to twist the chains and ropes and not to loop them over the swing beam, since this may reduce the strength of the chain or rope.
- Teach children not to jump from swings or other playground equipment in motion.
- Teach children not to push empty seats. The seat may hit them and cause serious injury.
- Teach children to sit in the center of the swings with their full weight on the seats.
- Teach children not to use the equipment in a manner other than intended.
- Teach children to always go down slides feet first. Never slide headfirst.
- Teach children to look before they slide to make sure no one is at the bottom.
- Teach children to never run up a slide, as this increases their chances of falling.
- The parents should have the children dress appropriately with well-fitting shoes. Loose clothing such as scarves and ponchos should not be worn. Always take off, tie up or tuck in cords and drawstrings on children's clothing. These things can get caught on playground equipment and strangle a child.
- Teach children not to climb when the equipment is wet.
- Teach children to never jump from a fort deck. They should always use the ladder, ramp or slide.
- Teach children to never crawl or walk across the top of monkey bars.
- Teach children to never crawl on top of a fort roof.
- Verify that any suspended climbing ropes, chains, or cables are secured at both ends.
- Verify climbing ropes are tight enough that they cannot be wrapped around an adult hand.
- Teach children not to attach items to the playground equipment that are not specifically designed for use with the equipment, such as, but not limited to, jump ropes, clothesline, pet leashes, cables and chain as they may cause a strangulation hazard.
- Teach children to never wrap their legs around swing chain.
- Teach children to never slide down the swing chain.

WARNING: Children must NOT use this play set until unit has been completely assembled and inspected by an adult to insure set has been properly installed and anchored.

Safety and Maintenance Tips for Your New Play Set: (continued)

Playgrounds should be inspected on a regular basis. If any of the following conditions are noted, they should be removed, corrected, or repaired immediately to prevent injuries.

- Hardware that is loose, worn or that has protrusions or projections.
- Exposed equipment footings.
- Scattered debris, litter, rocks, or tree roots.
- Splinters, large cracks, and decayed wood components.
- Deterioration and corrosion on structural components, which connect to the ground.
- Missing or damaged equipment components, such as handholds, guardrails, swing seats.
- Check all nuts and bolts frequently during the usage season and tighten as required. (But not so tight that you crack the wood) We recommend you check the swing beam and hardware often due to wood expansion and contraction. It is particularly important that this procedure be followed at the beginning of each season.
- Remove plastic swing seats and take indoors or do not use when the temperature drops below 32°F.
- Oil all metallic moving parts monthly during the usage period.
- Check all coverings for bolts and sharp edges twice monthly during usage season to be certain they are in place. Replace when necessary. It is especially important to do this at the beginning of each new season.
- Check swing seats, ropes, cables and chains monthly during usage season for evidence of deterioration. Replacement should be made of any swing seat that has developed cracks in the plastic seats or has exposed metal in the edges of the swing seat. If there are already exposed metal inserts on the edge of the seat, immediately remove the seats and chains to prevent serious injury. Ropes, cables and chains should be removed and replaced if excessive wear is found. Contact PlayNation for warranted replacement parts.
- For rusted areas on metallic members such as monkey bars, hand supports brackets, etc.; sand and repaint, using a non lead-based paint meeting the requirements of Title 16 CRF Part 1303.
- Inspect wood parts monthly. The grain of the wood sometimes will lift in the dry season causing splinters to appear. Light sanding may be necessary to maintain a safe playing environment. If you are treating your play set with stain regularly, it will help prevent severe checking/splitting and other weather damage.
- Once or twice a year, depending on your climate conditions, you must apply some type of protection (sealant) to the wood of your unit. Prior to the application of sealant, lightly sand any “rough” spots on your set. Please note this is a requirement of your warranty.
- Creating and maintaining the play set on a level location is very important. As your children play, your play set will slowly dig its way into the soil, and it is very important that it settles evenly. Make sure the play set is level and true once each year or at the beginning of each play season.
- Rake the playground surface periodically to prevent compaction and maintain appropriate depths. Disposal Instructions: When the play set is no longer desired, it should be disassembled and disposed of in such away that no unreasonable hazards will exist at the time the unit is discarded.

Play Set Surfacing Recommendations:

Below are some of the recommendations that the U.S. Consumer Product Safety Commission (CPSC) offers from its *Handbook for Public Playground Safety*. The guide can be downloaded in full at www.cpsc.gov/cpscpub/pubs/325.pdf

1. Protective Surfacing - Since almost 60% of all injuries are caused by falls to the ground, protective surfacing under and around all playground equipment is the most critical safety factor on playgrounds.

Certain manufactured synthetic surfaces also are acceptable; however, test data on shock absorbing performance should be requested from the manufacturer.

Asphalt and concrete are unacceptable. They do not have any shock absorbing properties. Similarly, grass and turf should not be used. Their ability to absorb shock during a fall can be reduced considerably through wear and environmental conditions.

Certain loose-fill surfacing materials are acceptable such as the types and depths shown in the table.

Fall Heights and Recommended Materials

Type Of Material	6 in. depth	9 in. depth	12 in. depth
Double-Shredded bark mulch	6' Fall Height	10' Fall Height	11' Fall Height
Wood Chips	6' Fall Height	7' Fall Height	12' Fall Height
Fine Sand	5' Fall Height	5' Fall Height	9' Fall Height
Shredded Tires*	10-12' Fall Height	n/a	n/a
Fine Gravel	6' Fall Height	7' Fall Height	10' Fall Height

*This data is from tests conducted by independent testing laboratories on a 6-inch depth of uncompressed shredded tire samples produced by four manufacturers. The tests reported critical heights, which varied from 10 feet to greater than 12 feet. It is recommended that persons seeking to install shredded tires as a protective surface request test data from the supplier showing the critical height of the material when it was tested in accordance with ASTM F1292.

It should be recognized that all injuries due to falls cannot be prevented no matter what surfacing material is used.

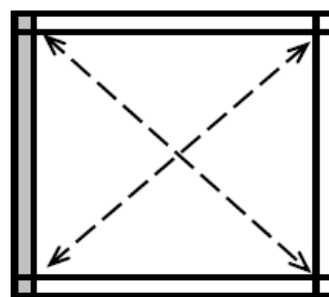
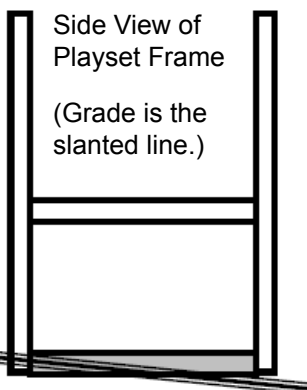
2. Fall Zones - A fall zone, covered with a protective surfacing material, is essential under and around equipment where a child might fall. This area should be free of other equipment and obstacles onto which a child might fall. Stationary climbing equipment and slides should have a fall zone extending a Minimum of 6' in all directions from the perimeter of the equipment.

Swings should have a fall zone extending a minimum of 6' from the outer edge of the support structure on each side. The fall zone in front and back of the swing should extend out a minimum distance of twice the height of the swing as measured from the ground to the top of the swing support structure.

Leveling Your Fort During Assembly


- Complete the steps which will be the basic frame of the fort {i.e. four corner posts with base (sand box boards) and deck supports}
- Position in the most level area chosen for the play set, keeping in mind the location and size of the swing beam, ladder, slides, etc. that extend off the fort.
- Once the frame is in the final position, check for vertical and horizontal levelness to determine which side(s) will need to be dug into the ground to level the play set.
- With a shovel, score the ground around the outside edges of the sandbox boards on the 'high' side of the fort. This is the area that will be dug in. Make sure to score deep enough; the scored lines will be your digging template.
- Push the frame off and away from the scored area, far enough to dig and remove dirt to reach the appropriate depth.
- Dig a channel along the scored line(s) for the base of the fort (corner post and sandbox boards) to rest into. Dig the channel(s) to the same level depth. The bottom of the channel(s) should be level to each other so your frame doesn't teeter or rock because the channel(s) are uneven.
- Once you have removed enough grass and dirt, slide/push the frame into the channel(s). Place a level on the vertical and horizontal boards of the frame to determine if enough soil, or too much, was removed.
- Repeat this process until the basic frame is plumb and level and in its final position before completing the rest of the assembly.
- Measure diagonally make sure fort is square.

Important: if you require a channel depth of more than 6", then we recommend you have your play set area professionally graded before completing assembly.



Top View of Playset Frame showing diagonal measurements.

THE DIAGONAL MEASUREMENTS SHOULD BE THE SAME FROM CORNER POST TO CORNER POST. IF NOT, ADJUST FORT SO THAT THE DISTANCE IS EQUAL.

 = AREA TO BE SCORED AND CHanneled FOR LEVELNESS

General Info to Review Before Installation

- Depending on your experience, assembly of PlayNation Playsets can take as little as 6 hours up to 24 hours, depending on size, after inventory of parts; therefore, we recommend you set aside a full two days for assembly.
- Identify all of the parts for your play set. Empty each box and lay out boards so you can see each part. Your instruction book will have detailed drawings that will make it easy for you to recognize individual parts. Keep all hardware and metal parts separate from wooden pieces.
- After everything is laid out, check carefully to ensure all parts are present. Make sure there are no broken boards.
- Find an area to sort your hardware. It is best to open the hardware on a solid surface so that you do not lose any pieces in the grass. This will save time and familiarize you with all the different pieces in the hardware bag.
- Important note: Wood has some natural defects such as knots, surface cracks, etc... We reject parts that are structurally defective. We use a high quality lumber in our structures; however, you should inspect each part for splinters or rough spots and sand them smooth to prevent injury.
- After familiarizing yourself with all of the components, read all instructions thoroughly. Reading instructions after you have studied the parts will help you understand more clearly the installation process, and help to eliminate unnecessary mistakes.
- Pay close attention to the diameter and length of each bolt and screw.
- Never tighten hardware completely at first. It helps to have some adjustment for bolt alignment while you are attaching parts together. After everything is square, tighten each joint.
- After the main unit is assembled it is critical that the floor is **level** and **square**. If the main frame is not level, the walls and floor will be out of square.
- After you complete installation, make sure every bolt, screw, and nut is tight, and every board is secure. Wood will expand and contract with the seasons.
- Check all bolt connections and swing hangers seasonally.
- Place the set on level ground, not less than 6ft from any structure or obstruction such as a fence, garage, house, overhanging branches, laundry lines, or electrical wires.

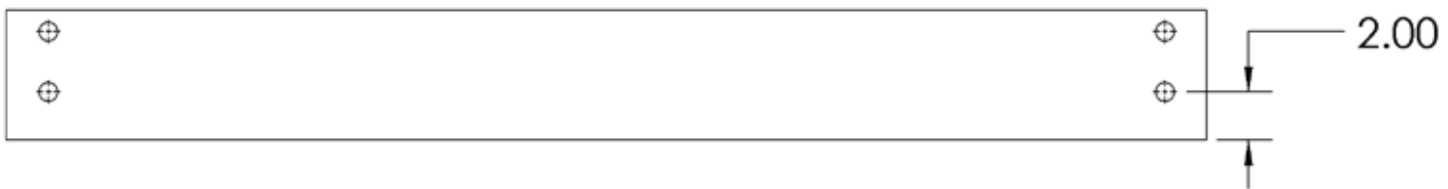
This page is a list of definitions and explanations used throughout our instructions to aid you in the assembly of your play set.

Offset Holes- Throughout the installation procedures we will refer to parts with offset holes. This refers to the orientation of the holes on the board. An offset hole is one that is closer to one side than it is to the other or in other words, it is not centered on the board. In the procedures you will be instructed to attach the boards with the holes “offset up” or with the holes “offset down”. This refers to which side of the board the hole/holes should be closer to. Offset Holes Up= hole/holes will be closer to the top of the board. Offset Holes Down= hole/holes will be closer to the bottom of the board. Note: some parts do not have offset holes, but instead the holes are on center. Therefore there will not be any reference to how to offset these parts.

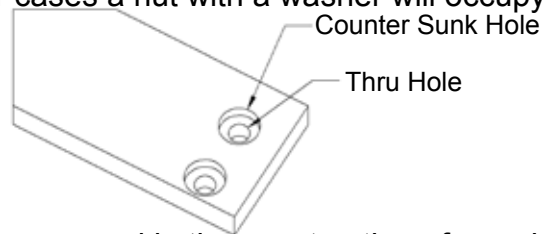
EXAMPLE OF OFFSET HOLES DOWN



EXAMPLE OF OFFSET HOLES UP



Counter-sunk holes- Many of the parts that will be used have counter-sunk holes. A counter-sunk hole is one that surrounds one side of a thru hole, but does not extend through the wood it's self. When using a counter-sunk hole the bolt will be inserted through the thru hole. In some cases the bolt head with a washer will occupy the counter-sunk hole. In other cases a nut with a washer will occupy the counter-sunk hole.

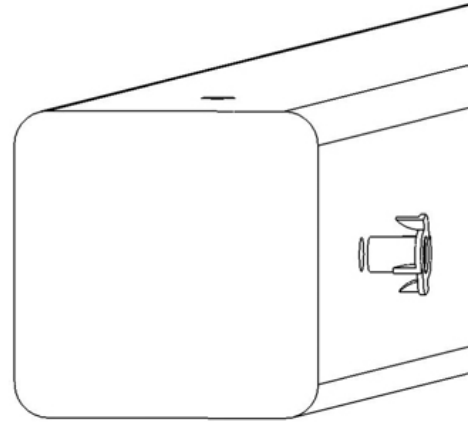
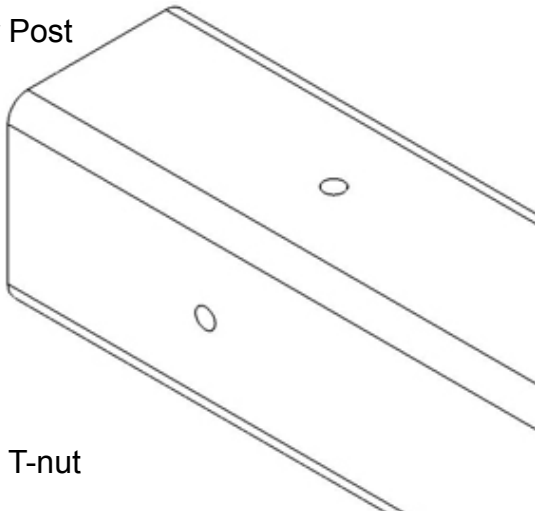


Lag Screws- Lag screws are used in the construction of our play sets to enhance the structural integrity of the unit. There will not be predrilled holes in the post for lag screw installation. Lag screws are self-tapping, though if you are using a manual socket wrench it may be necessary to tap the head of the lag screw with a hammer. You should also be sure to tighten the lag screws completely. Power tools such as an impact wrench or power drill should have enough torque to drive the lag screws without using a hammer, but make sure not to over tighten as this can cause the threads to “strip out” in the post.

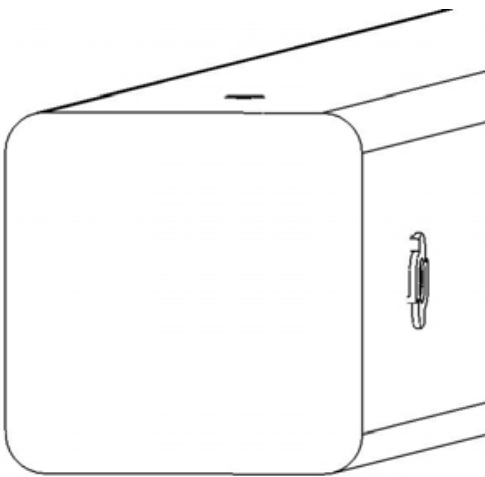
Common Installation Practice Installing T-nuts

When installing T-nuts into the wood, use a smooth faced hammer to set the face of the T-nut flush into the wood

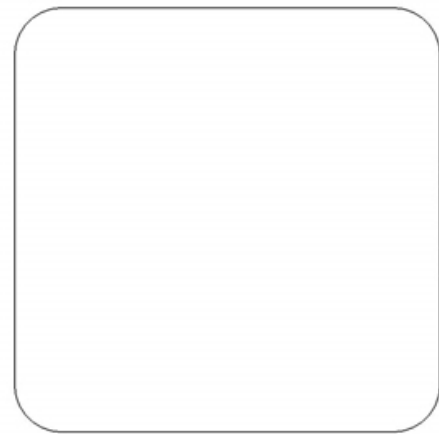
Corner Post



Insert the barrel of the T-nut into the predrilled hole. Using a smooth faced hammer, drive the T-nut until the face of the T-nut is flush to the wood.

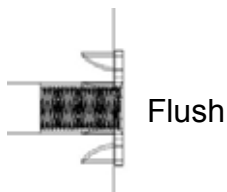


This picture shows the T-nut insert and installed flush to the wood.



This picture shows an end view of the T-nut insert and installed flush to the wood.

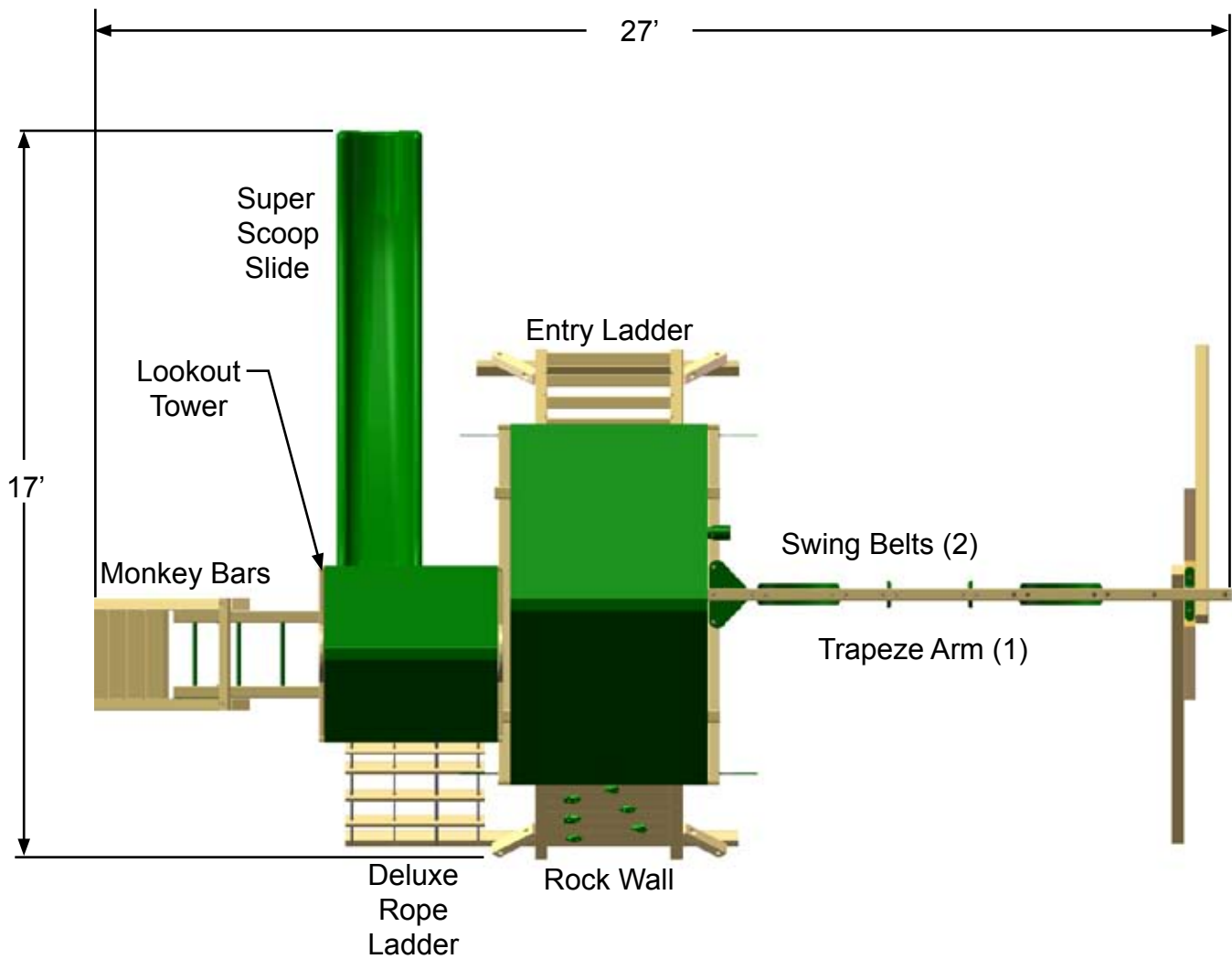
WARNING: DO NOT EMBED THE TOP OF THE T-NUT INTO THE FACE OF THE WOOD



Cross Section end views, you are looking at an Xray view of the post and T-nut. The barrel of the T-nut is in the corner post. The line is the face of the wood.

Please familiarize yourself with the manual, parts/components and general construction process of your new playset before getting started.

SITE PLAN:



Playset height: 13'-2"

Approximate assembly time: 10-12 hours

6 foot unobstructed safety perimeter around playset recommended

REQUIRED TOOL LIST:

- ___ Standard or Cordless Drill w/ Phillips Bit (#2 square bit provided)
- ___ 1/8" Drill Bit
- ___ 3/8" Drill Bit
- ___ 1/2" Wrench and Socket
- ___ 1/2" Deep Well Socket
- ___ 9/16" Deep Well Socket
- ___ 9/16" Wrench and Socket
- ___ Level
- ___ Tape Measure
- ___ Extension Cord (if using standard drill)
- ___ Hammer
- ___ Pencil
- ___ Locking Pliers (Vise Grips)
- ___ Shovel

KIT CONTENTS

Swings, Slides, Accessories:

- ___ (Qty) Description
- ___ (1) Super Scoop Slide
- ___ (1) Kingdom Deluxe Assembly Manual
- ___ (10) Rock Wall Grips (assorted colors)
- ___ (1) Rope Ladder
- ___ (2) Swingbelts w/Chains
- ___ (1) Trapeze Bar w/Chains
- ___ (1) Tire Swing w/Chains
- ___ (1) Telescope
- ___ (1) Steering Wheel
- ___ (4) Safety Handles
- ___ (4) Flag Kit
- ___ (1) Tic Tac Toe Panel
- ___ (1) Dinner Bell

Fort Hardware:

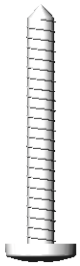
see following pages

Wood Components:

see following pages

Swing Beam Hardware:

see following pages

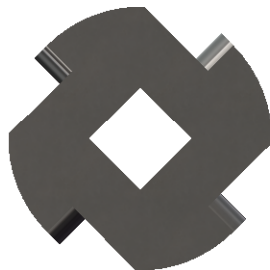


#14 X 1-1/4"
PAN HEAD SCREW
QTY: 14

#8 X 2"
WOOD SCREW
QTY: 48



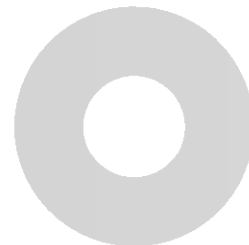
#8 X 2-1/2"
WOOD SCREW
QTY: 62



TORQUE WASHER
QTY: 46



3/8" LOCK NUT
QTY: 55



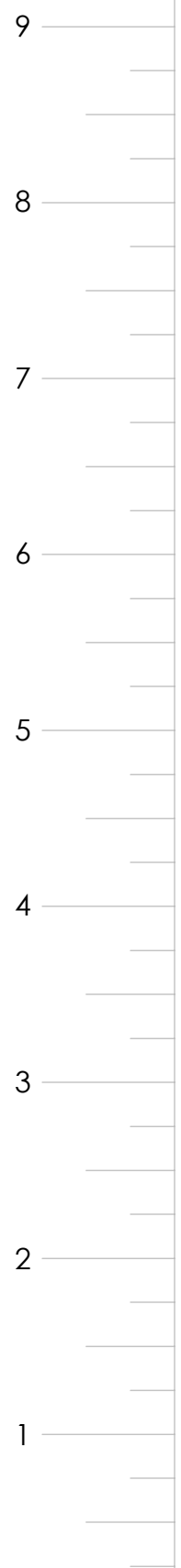
1/2" WASHER
QTY: 7



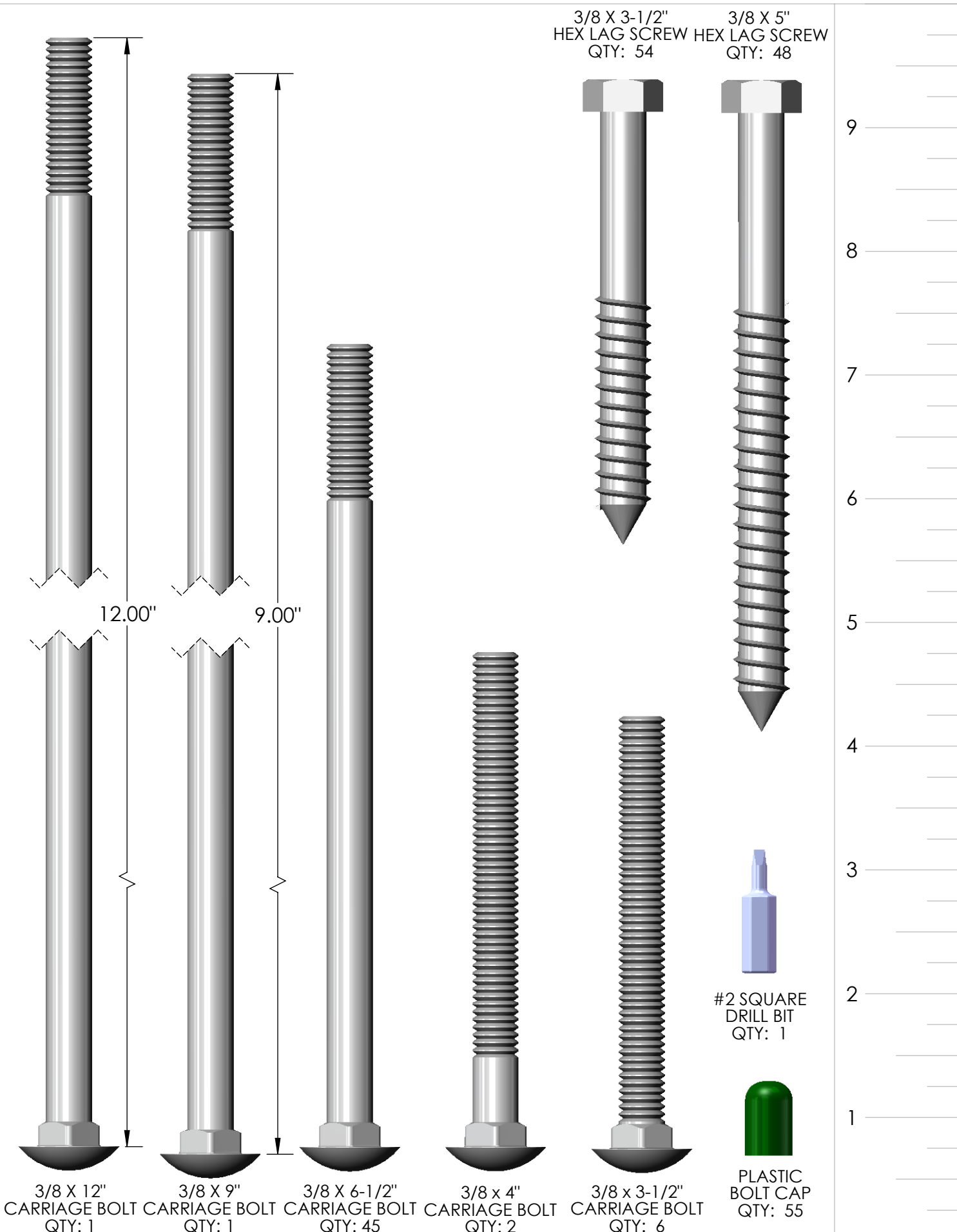
3/8" WASHER
QTY: 156



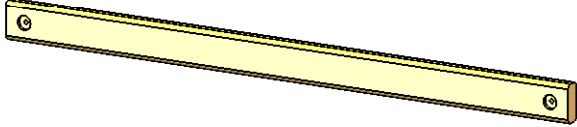
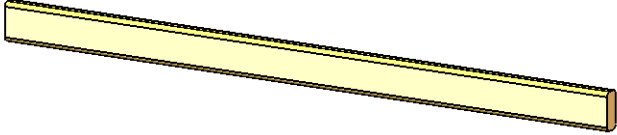
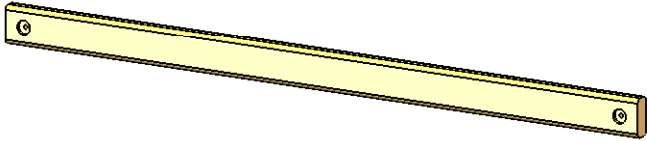
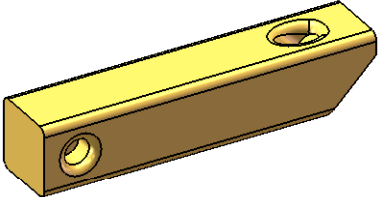
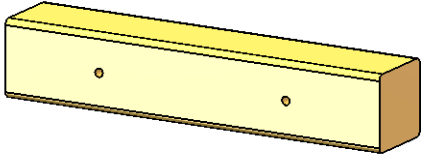
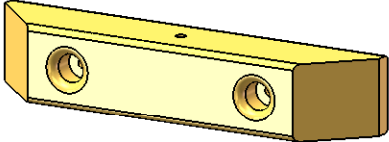
1/4" WASHER
QTY: 8

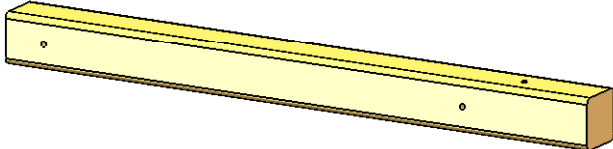
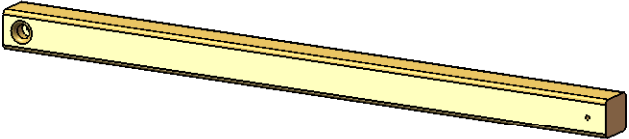
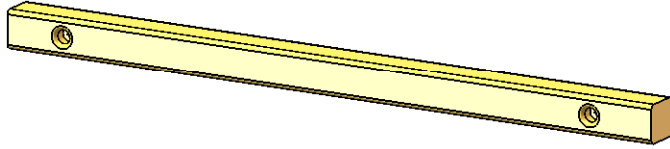
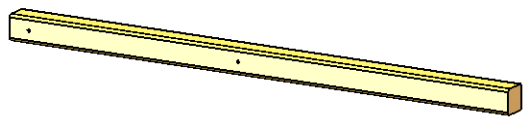
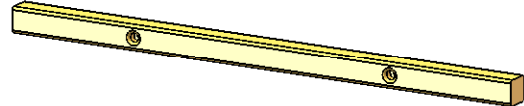
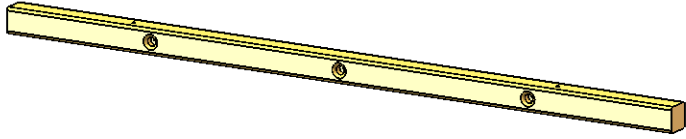
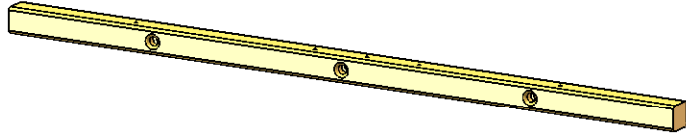


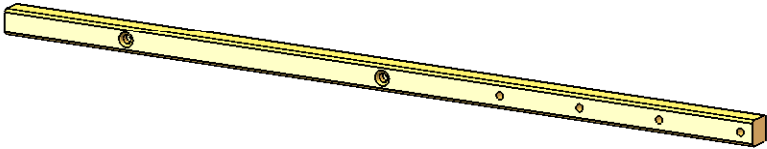
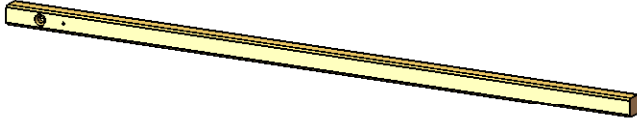
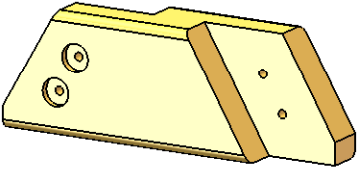
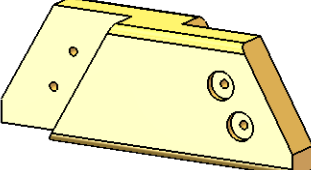
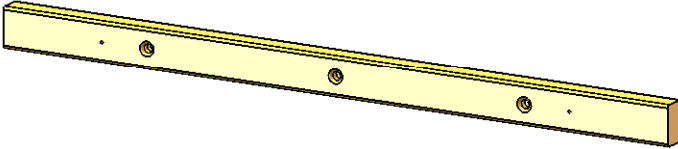
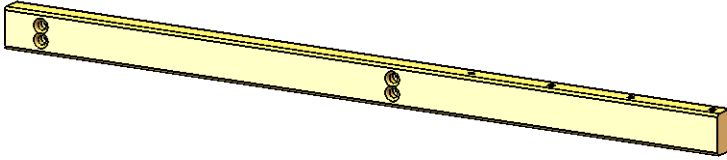
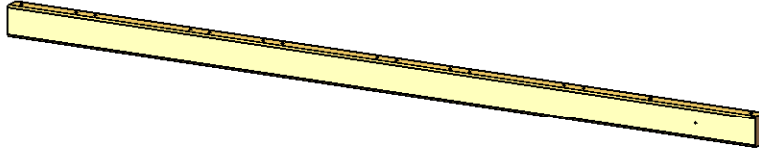
USE THE RULER TO THE RIGHT TO MEASURE YOUR BOLTS AND SCREWS. PICTURE VIEWS SHOWN ABOVE ARE 1:1 SCALE AND CAN BE USED TO MATCH BOLT AND SCREW SIZES.

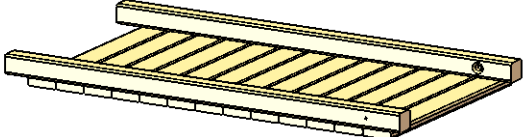
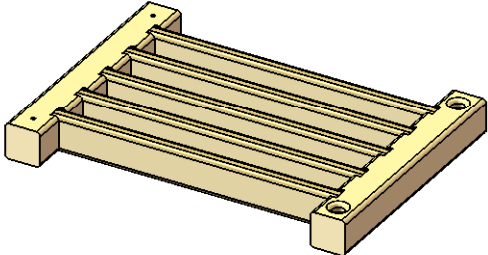
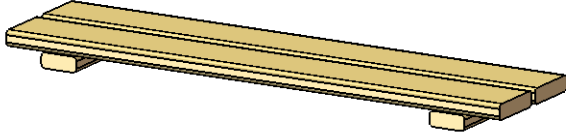
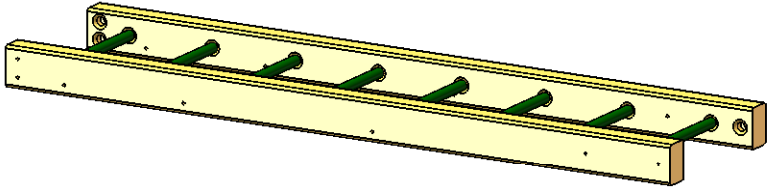


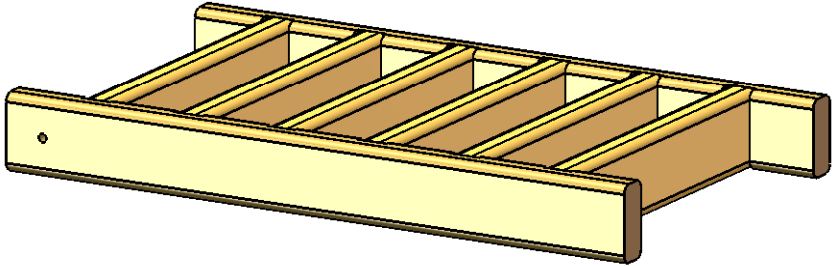
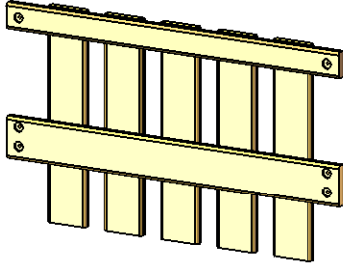
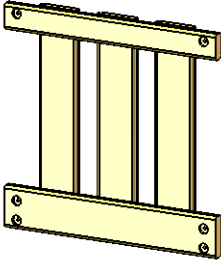
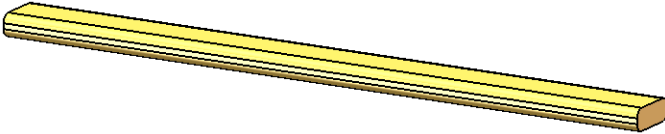
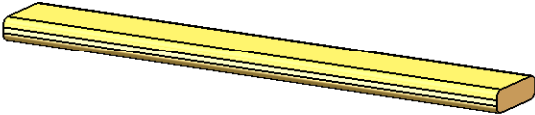
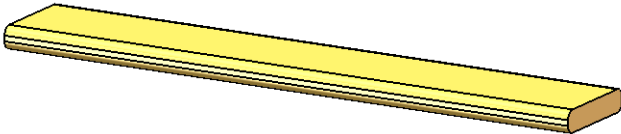
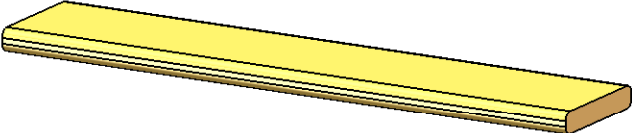
USE THE RULER TO THE RIGHT TO MEASURE YOUR BOLTS AND SCREWS. PICTURE VIEWS SHOWN ABOVE ARE 1:1 SCALE AND CAN BE USED TO MATCH BOLT AND SCREW SIZES.

PICTURE	DESCRIPTION	QTY.
	<p>2 x 4 x 54-1/8" Center Tarp Board</p>	<p>1</p>
	<p>2 x 4 x 58" Center Stringer</p>	<p>1</p>
	<p>2 x 4 x 60-7/8" Lower Tarp Board</p>	<p>2</p>
	<p>4 x 4 x 16" Angle Brace (LEFT)</p>	<p>4</p>
	<p>4 x 4 x 16" Angle Brace (RIGHT)</p>	<p>4</p>
	<p>4 x 4 x 18" Swing Block (No Angle)</p>	<p>1</p>
	<p>4 x 4 x 18" Swing Block (Angle)</p>	<p>1</p>

PICTURE	DESCRIPTION	QTY.
	4 X 4 X 42" Corner Upright	4
	4 x 4 x 58" Cross Member	1
	4 x 4 x 62" Cross Support	1
	4 x 4 x 72" Center Upright	2
	4 x 4 x 72" Ground Runner	1
	4 x 4 x 96" Side Rail	1
	4 x 4 x 96" Swing Beam Side Rail	1


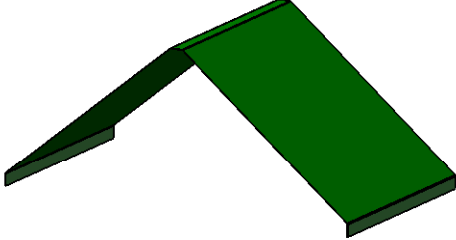

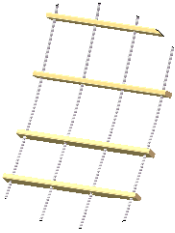
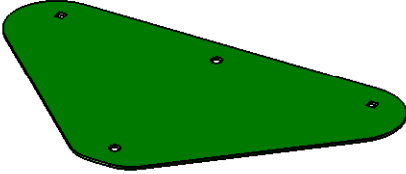
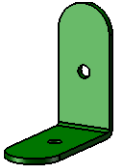

PICTURE	DESCRIPTION	QTY.
	<p>4 x 4 x 108" Rope Ladder Runner</p>	<p>1</p>
	<p>4 x 4 x 120 Swing Leg</p>	<p>2</p>
	<p>4 x 6 x 15" Fat Freddie (RIGHT)</p>	<p>2</p>
	<p>4 x 6 x 15" Fat Freddie (LEFT)</p>	<p>2</p>
	<p>4 X 6 X 96" Main Deck Beam</p>	<p>2</p>
	<p>4 x 6 x 103" Top Rope Ladder Support</p>	<p>1</p>
	<p>4 x 6 x 144" Swing Beam</p>	<p>1</p>

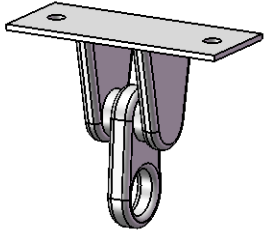

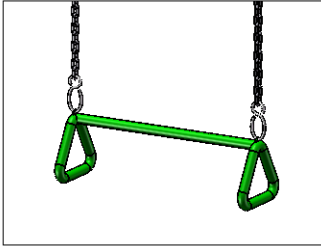

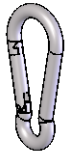
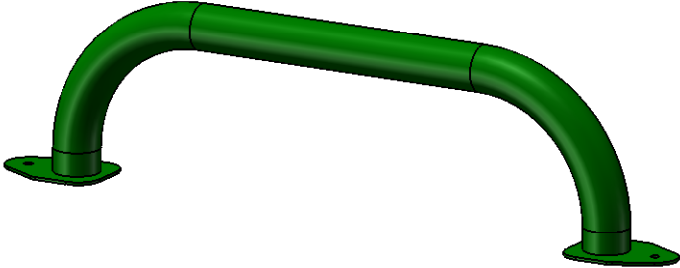
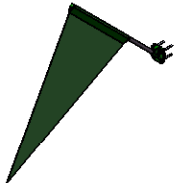
PICTURE	DESCRIPTION	QTY.
	<p>4 x 40-5/8" x 76" Ladder</p>	<p>1</p>
	<p>4 x 40-5/8" x 76" Rock Wall</p>	<p>1</p>
	<p>4 x 23-1/2" x 32.75" Wall Panel</p>	<p>3</p>
	<p>2-3/4" x 11-1/4" x 47-1/2" Deck Panel (2 Board)</p>	<p>1</p>
	<p>2-3/4" x 23-1/4" x 47-1/2" Deck Panel (4 Board)</p>	<p>2</p>
	<p>Monkey Bar Assembly</p>	<p>1</p>
	<p>Monkey Bar Ladder Assembly</p>	<p>1</p>


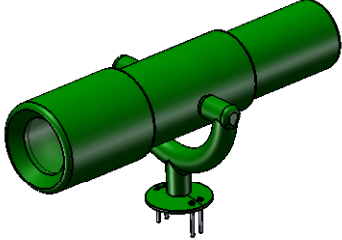
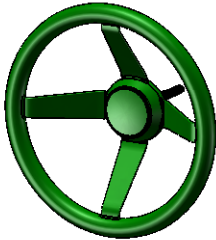

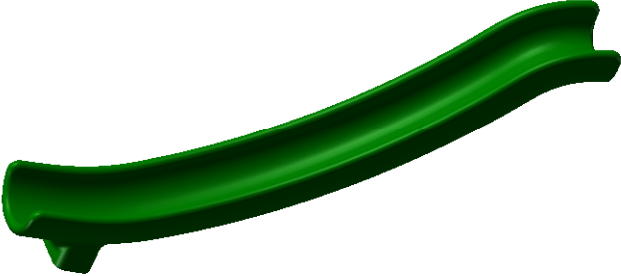
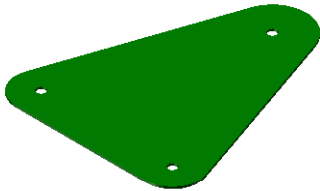
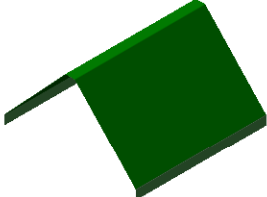
PICTURE	DESCRIPTION	QTY.
 <p>A perspective view of a rectangular wooden entry panel. It features a solid front and back rail, with four vertical dividers creating three compartments. The top edge is finished with a decorative crown molding.</p>	<p>Crow's Nest Entry Panel 4 x 17-1/8" x 29-3/4"</p>	<p>1</p>
 <p>A perspective view of a rectangular wall panel. It consists of two horizontal rails connected by six vertical balusters. The top rail has a decorative crown molding.</p>	<p>Wall Panel 2-3/8 x 28" x 48"</p>	<p>1</p>
 <p>A perspective view of a rectangular rear wall panel. It features four vertical balusters between two horizontal rails. The top rail has a decorative crown molding.</p>	<p>Rear Wall Panel 2-3/8 x 29" x 30-1/2"</p>	<p>1</p>
 <p>A perspective view of a long, narrow wooden spacer with a decorative crown molding on top.</p>	<p>Deck Spacer 5/4 x 2-1/2 x 30-1/2"</p>	<p>1</p>
 <p>A perspective view of a long, narrow wooden spacer with a decorative crown molding on top.</p>	<p>Deck Spacer 5/4 x 3-1/4 x 23-3/4"</p>	<p>2</p>
 <p>A perspective view of a long, narrow wooden spacer with a decorative crown molding on top.</p>	<p>Deck Spacer 5/4 x 4-1/2 x 27-1/8"</p>	<p>1</p>
 <p>A perspective view of a long, narrow wooden deck board with a decorative crown molding on top.</p>	<p>Deck Board 5/4 x 5-1/2 x 27-1/8"</p>	<p>4</p>

PICTURE	DESCRIPTION	QTY.
	Deck Board 5/4 x 5-1/2 x 30-1/2"	2
	Panel Slat 5/4 x 6 x 28"	2
	Center Tarp Support 2 x 4 x 26"	2
	Side Tarp Support 2 x 4 x 45-1/2"	2
	Top Panel Board (3 hole) 2 x 4 x 48"	2
	Top Panel Board (2 hole) 2 x 4 x 48"	1
	Center Tarp Board 2 x 4 x 48"	1

PICTURE	DESCRIPTION	QTY.
	Side Tarp Board 2 x 4 x 50-1/4"	2
	Sun 2 x 6 x 16"	2
	Bottom Panel Board 2 x 6 x 20-3/4"	2
	Monkey Bar Support (LEFT) 4 x 4 x 25-3/4"	1
	Monkey Bar Support (RIGHT) 4 x 4 x 25-3/4"	1
	Corner Post 4 x 4 x 50"	5

PICTURE	DESCRIPTION	QTY.
	Tire Swivel	1
	Tarp	1
	Climbing Rocks	10
	Rope Ladder	1
	Swing Beam Plate	1
	90° Angle Bracket	2
	45° Angle Bracket	2

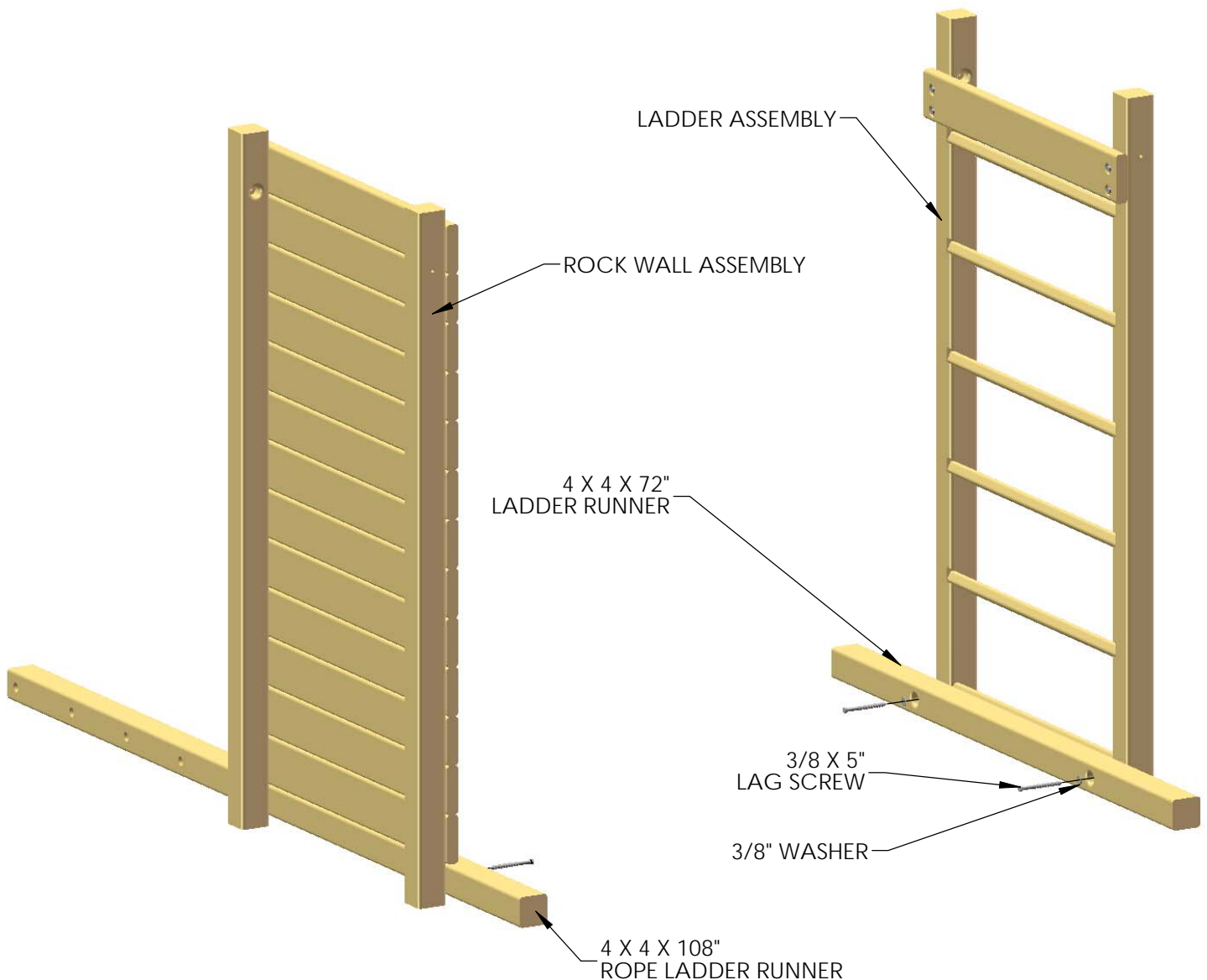
PICTURE	DESCRIPTION	QTY.
	<p>Iron Ductile Swing Hanger</p>	<p>6</p>
	<p>Swing Belt w/Chains</p>	<p>2</p>
	<p>Trapeze Bar w/Chains</p>	<p>1</p>
	<p>Tire Swing w/Chains</p>	<p>1</p>
	<p>Spring Clip</p>	<p>9</p>
	<p>Safety Handle</p>	<p>2</p>
	<p>Plastic Flag Kit</p>	<p>4</p>

PICTURE	DESCRIPTION	QTY.
	<p>Tic Tac Toe Panel</p> <p>1-3/8" x 1-5/8" x 10-1/2" Tic Tac Toe Boards</p>	<p>1</p> <p>2</p>
	<p>Telescope</p>	<p>1</p>
	<p>Steering Wheel</p>	<p>1</p>
	<p>Dinner Bell</p>	<p>1</p>
	<p>Super Scoop Slide</p>	<p>1</p>
	<p>Monkey Bar Plate</p>	<p>2</p>
	<p>Crow's Nest Tarp</p>	<p>1</p>

STEP 1: LADDER AND ROPE LADDER RUNNERS

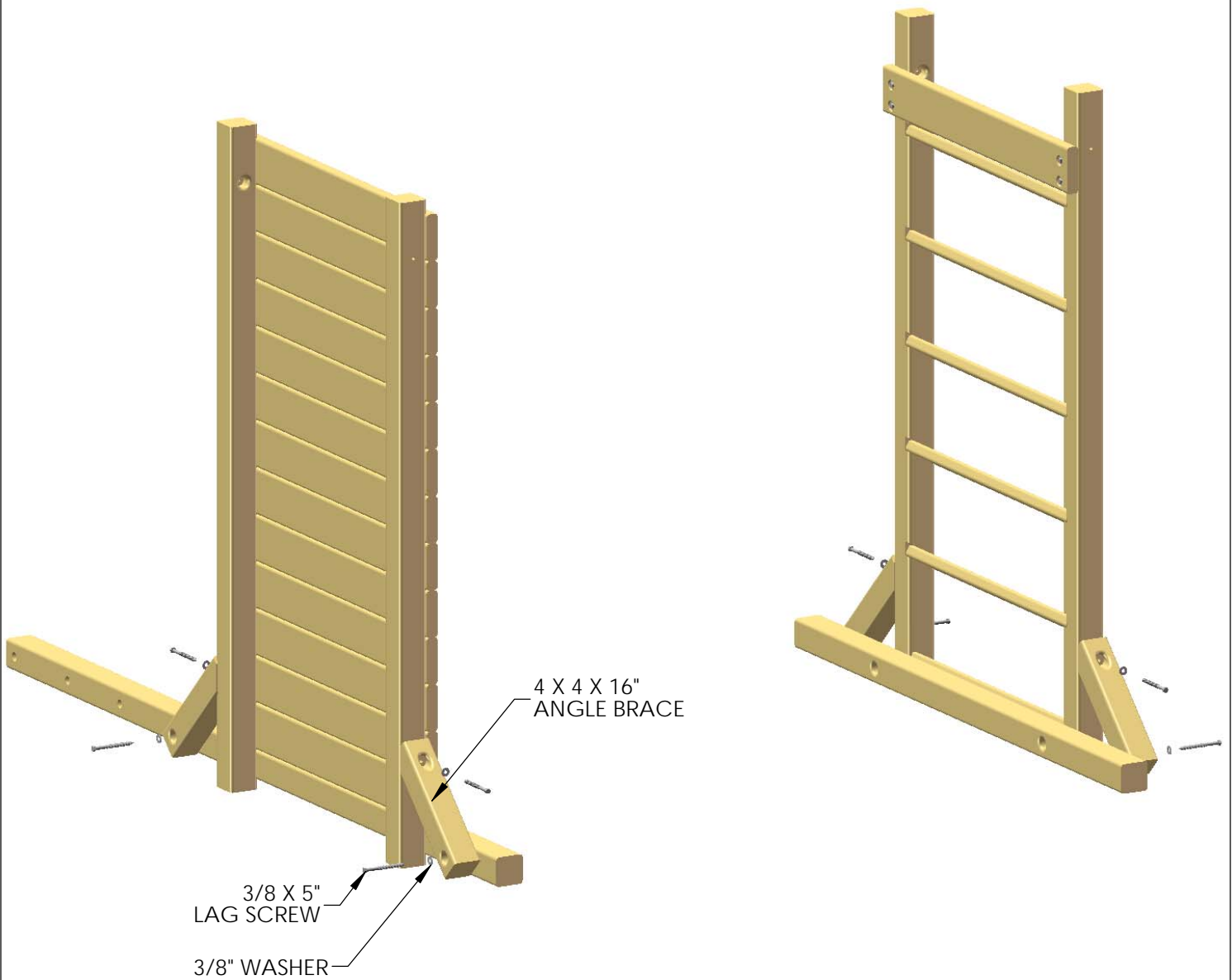
1: PLACE THE 4 X 4 X 72" LADDER RUNNER APPROXIMATELY 1" FROM THE BOTTOM OF THE LADDER ASSEMBLY, TO THE INSIDE OF THE LADDER. ALLOW THE LADDER RUNNER TO EXTEND EQUALLY PAST THE LADDER RAILS. FASTEN THE LADDER RUNNER TO THE LADDER WITH 3/8 X 5" LAG SCREWS AND 3/8" WASHERS.

2: PLACE THE 4 X 4 X 108" ROPE LADDER RUNNER APPROXIMATELY 1" FROM THE BOTTOM OF THE ROCK WALL ASSEMBLY. MAKE SURE THAT THE HOLES FOR THE ROPE LADDER ARE HORIZONTAL. FASTEN THE ROPE LADDER RUNNER TO THE ROCK WALL WITH 3/8 X 5" LAG SCREWS AND 3/8" WASHERS.



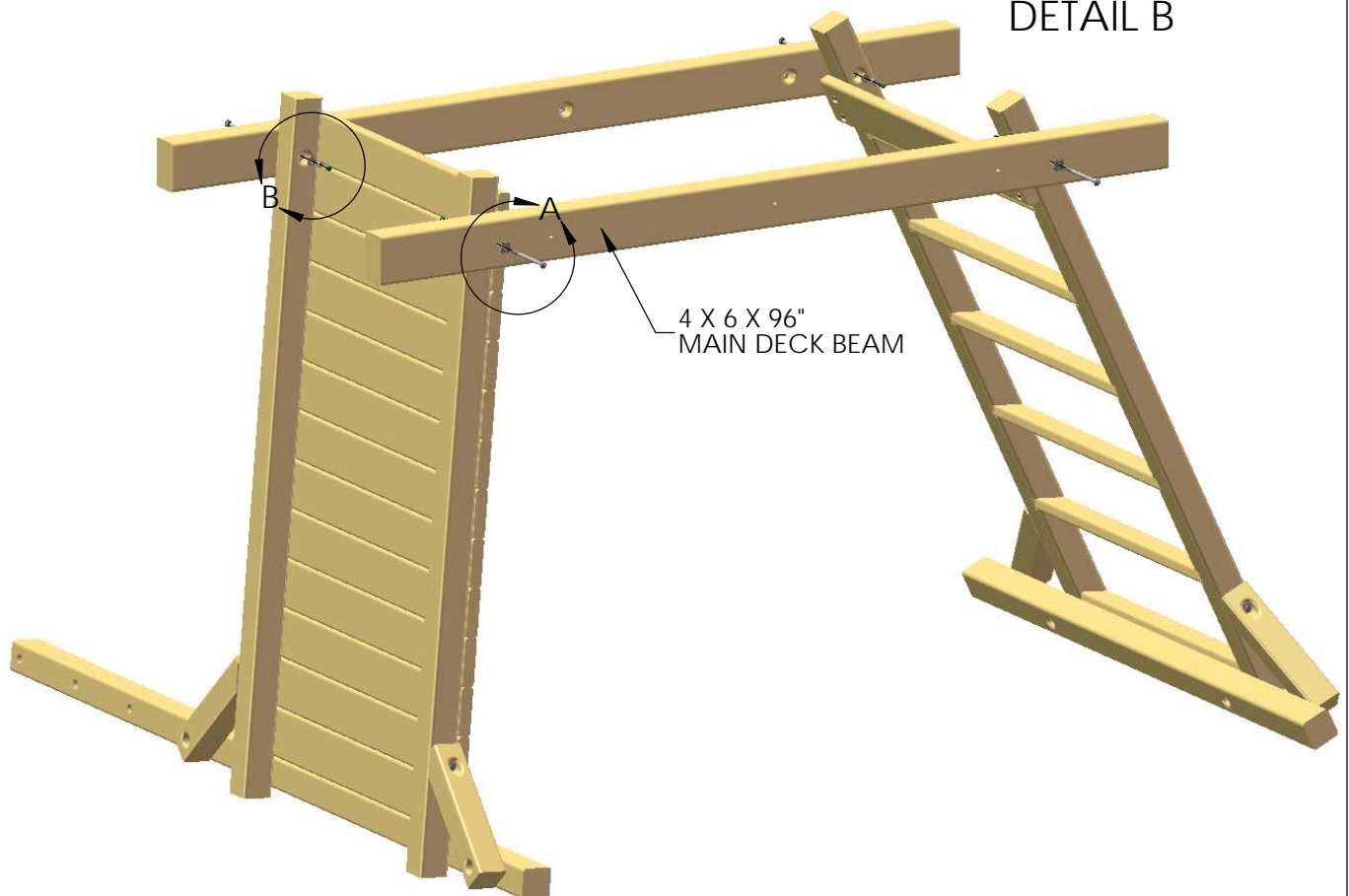
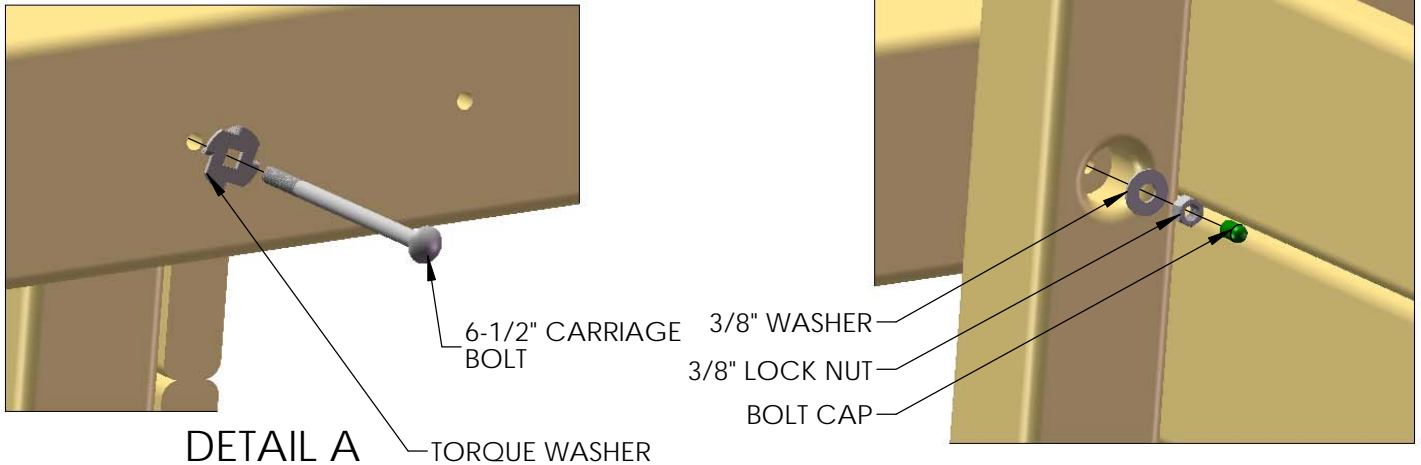
STEP 2: ANGLE BRACES

1: PLACE THE 4 X 4 X 16" ANGLE BRACES FLUSH TO THE SIDES OF THE LADDER AND ROCK WALL ASSEMBLIES WITH 3/8 X 5" LAG SCREWS AND 3/8" WASHERS.



STEP 3: MAIN DECK BEAMS

- 1: PLACE THE 4 X 6 X 96" MAIN DECK BEAMS FLUSH TO THE OUTSIDE OF THE LADDER AND ROCK WALL ASSEMBLIES, LINING UP THE PILOT HOLES AT EACH END TO THE COUNTER-SUNK HOLES ON THE LADDER AND ROCK WALL SIDES.
- 2: FIND FOUR 6-1/2" CARRIAGE BOLTS AND FOUR TORQUE WASHERS. PLACE THE CARRIAGE BOLT INSIDE THE TORQUE WASHER SO THAT THE TEETH ARE FACING THE SAME DIRECTION AS THE THREADS OF THE CARRIAGE BOLT.
- 3: PLACE THE CARRIAGE BOLT/TORQUE WASHER ASSEMBLY IN THE HOLE ON THE MAIN DECK BEAMS, OUT THROUGH THE COUNTER-SUNK HOLES ON THE LADDER AND ROCK WALL SIDES, AND SET WITH A HAMMER.
- 4: USE 3/8" LOCK NUTS WITH 3/8" WASHERS TO SECURE THE MAIN BEAMS. **DO NOT FULLY TIGHTEN CARRIAGE BOLTS AT THIS TIME.**
- 5: USE GREEN BOLT CAPS TO COVER ANY EXPOSED THREADS.



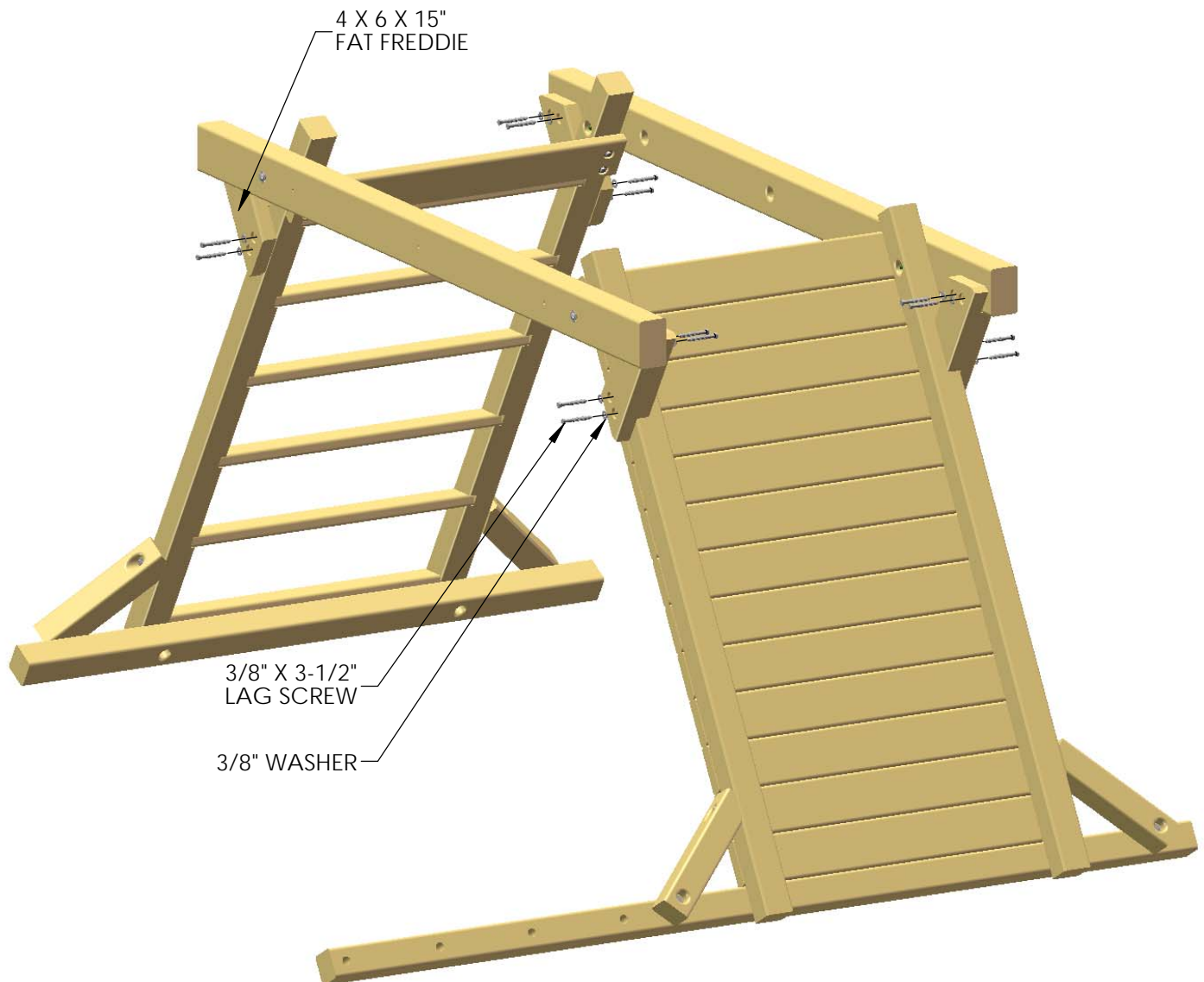
STEP 4: FAT FREDDIES

1: PLACE THE 4 X 6 X 15" FAT FREDDIES AT THE ENDS OF THE MAIN BEAMS. NOTE THAT THERE ARE TWO FOR THE LEFT SIDE AND TWO FOR THE RIGHT.

2: THE NOTCHES IN THE FAT FREDDIES WILL FIT WITH THE LADDER AND ROCK WALL ASSEMBLIES WHEN THEY ARE SCISSORED OUT. THE FAT FREDDIES WILL FASTEN TO THE INSIDE OF THE MAIN BEAM, AND TO THE OUTSIDE OF THE LADDER AND ROCK WALL SIDES.

3: USE 3/8 X 3-1/2" LAG SCREWS WITH 3/8" WASHERS TO FASTEN THE FAT FREDDIES TO THE LADDER, ROCK WALL, AND MAIN BEAMS.

4: GO BACK AND TIGHTEN THE 3/8" LOCK NUTS INSTALLED ON THE PREVIOUS PAGE.

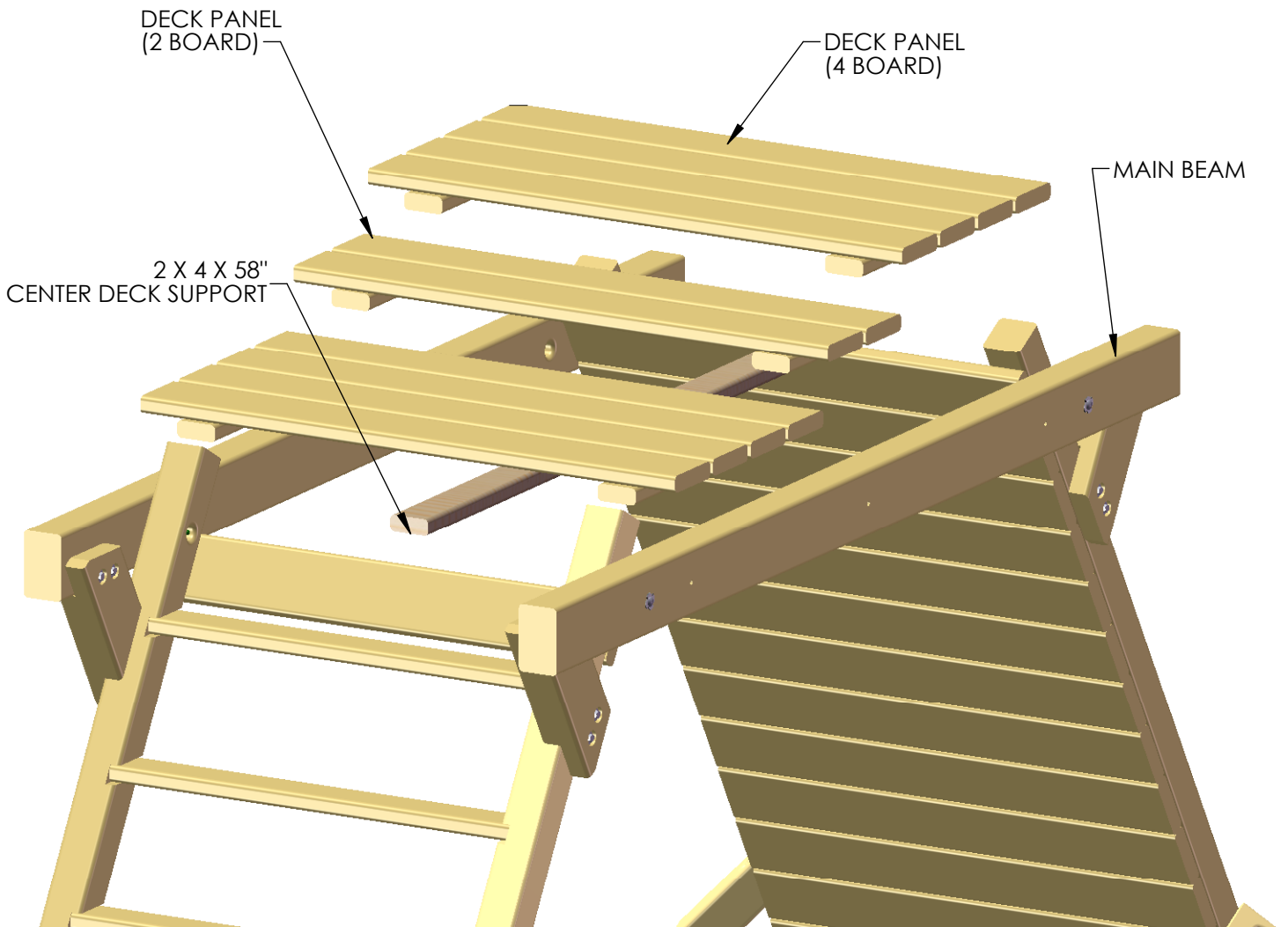


STEP 5: DECK

1: PLACE THE (2-BOARD) DECK PANEL AND (4-BOARD) DECK PANELS ON TOP OF THE MAIN BEAMS, ALLOWING THE 2 X 4 DECK STREAMERS TO FIT INSIDE OF THE MAIN BEAMS.

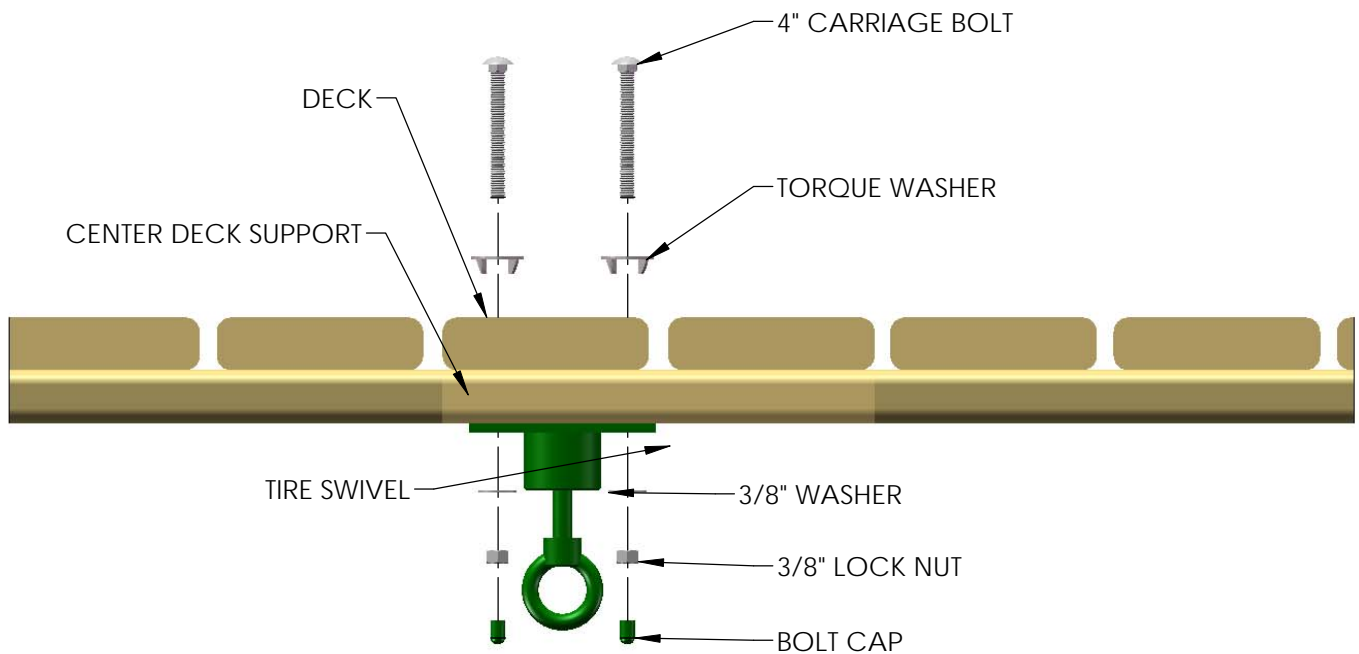
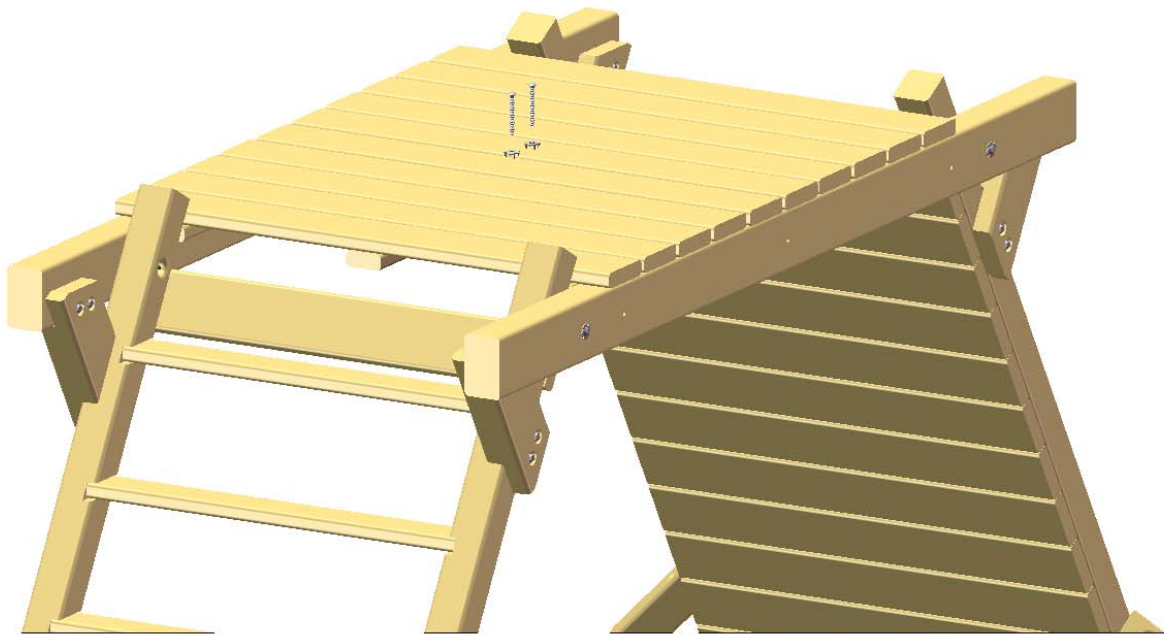
2: FASTEN THE DECK PANELS TO THE MAIN BEAMS WITH ONE 2-1/2" WOOD SCREW ON BOTH ENDS OF EACH BOARD.

3: GO UNDERNEATH THE DECK PANELS. PLACE THE 2 X 4 X 58" CENTER DECK SUPPORT UNDERNEATH THE CENTER OF THE DECK AND FASTEN WITH ONE 2-1/2" WOOD SCREW IN EACH END. GO TO THE TOP OF THE DECK. FASTEN THE CENTER OF EACH DECK PANEL BOARD TO THE CENTER DECK SUPPORT WITH ONE 2-1/2" WOOD SCREW.



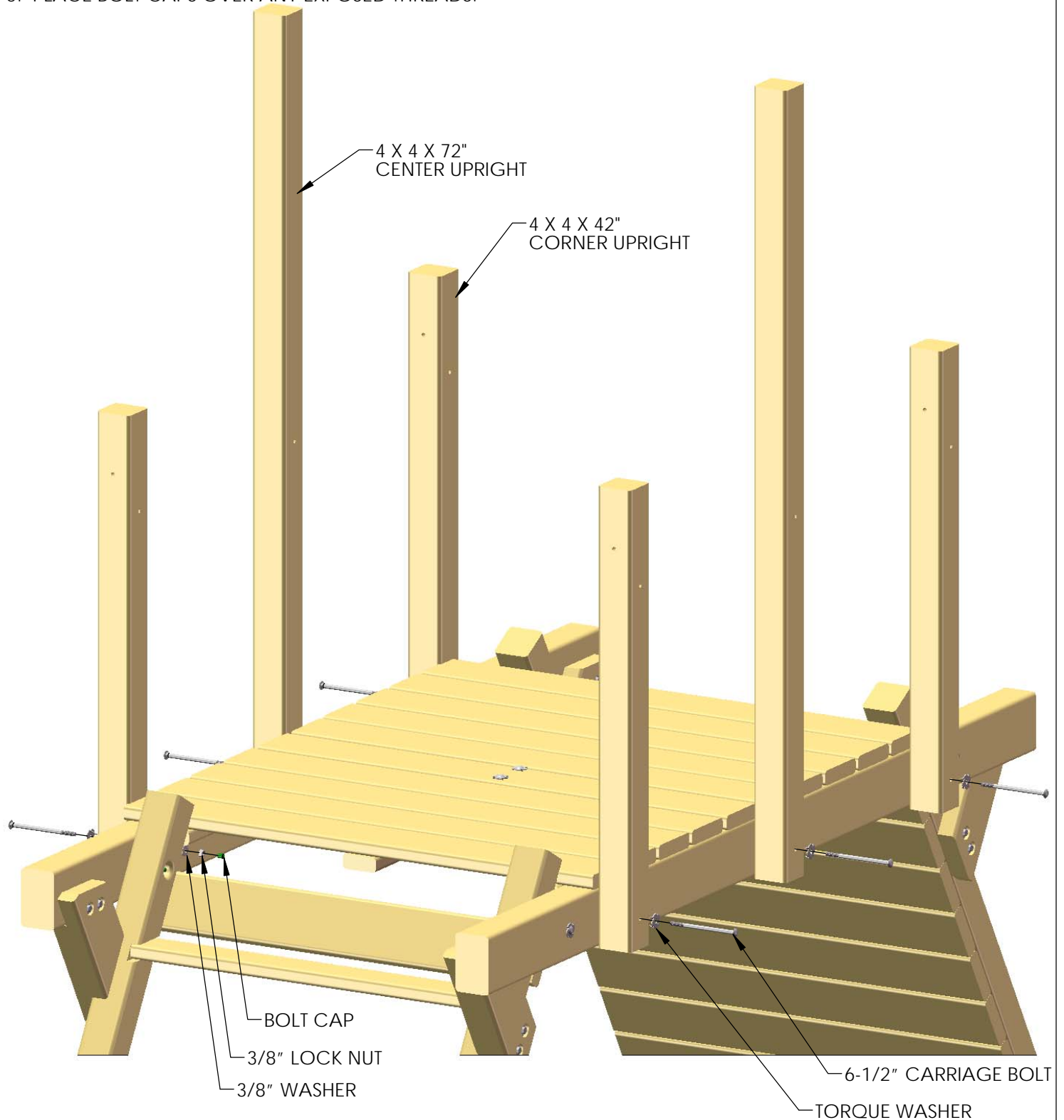
STEP 6: TIRE SWIVEL

- 1: REST THE TIRE SWIVEL ON TOP OF THE DECK AND, USING THE HOLES IN THE TIRE SWIVEL AS A GUIDE, MARK THE LOCATION OF THE HOLES.
- 2: DRILL 3/8" HOLES IN THE BRIDGE DECK WHERE THE MARKS WERE MADE.
- 3: FASTEN THE TIRE SWIVEL TO THE DECK WITH 4" CARRIAGE BOLTS AND TORQUE WASHERS FROM THE TOP, AND 3/8" LOCK NUTS WITH 3/8" WASHERS FROM UNDERNEATH.
- 4: PLACE BOLT CAPS ON ANY EXPOSED THREADS.



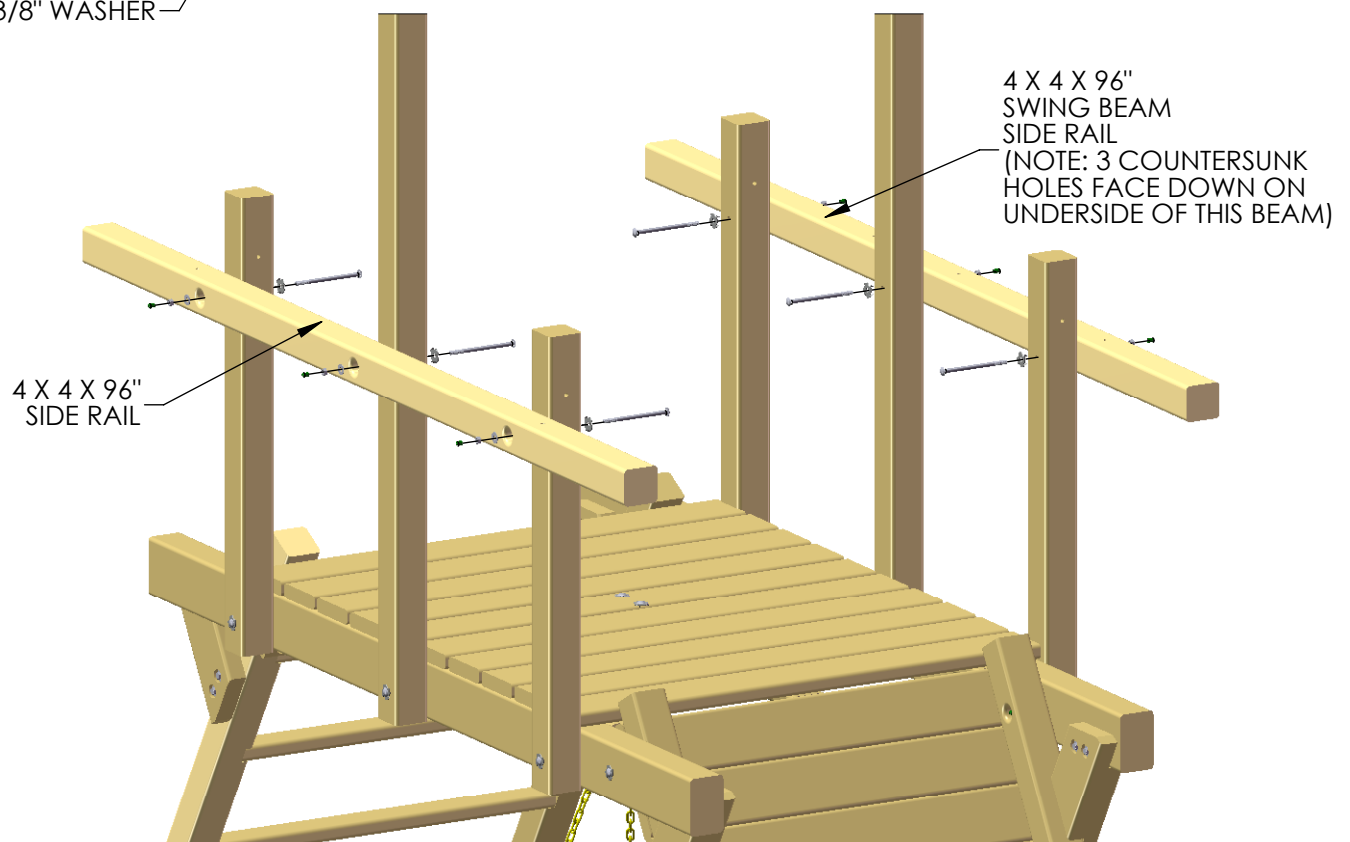
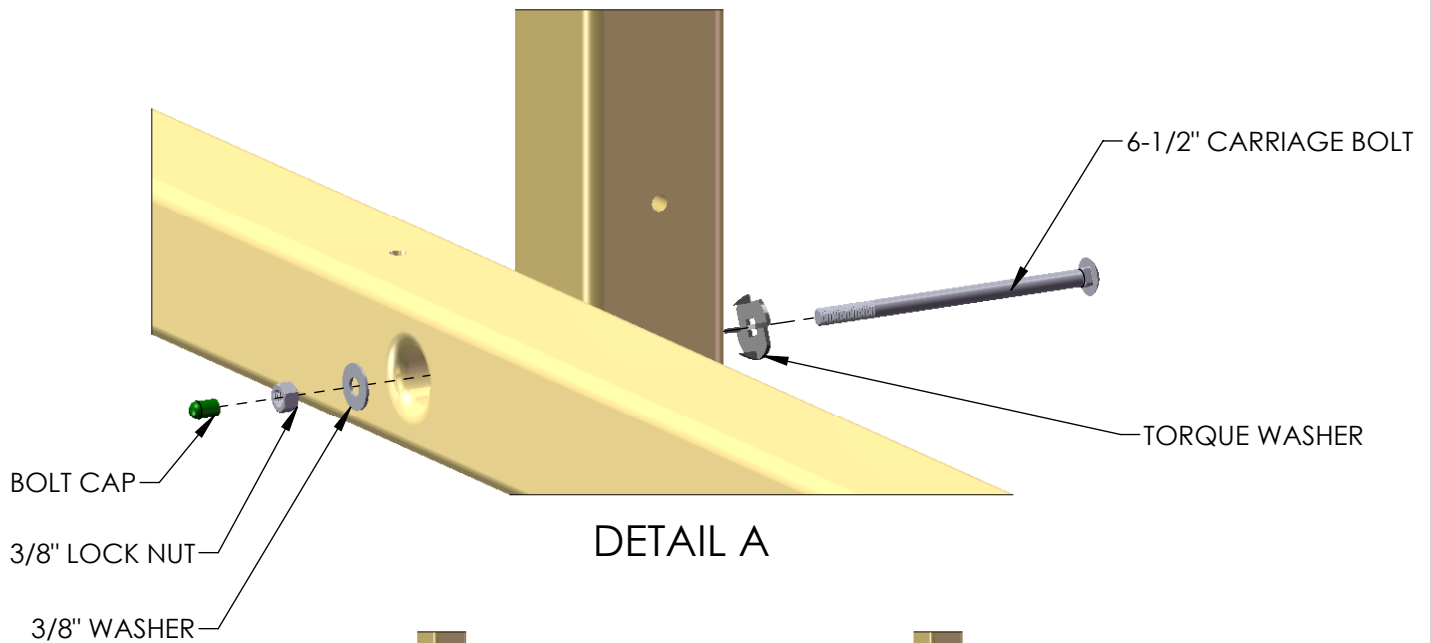
STEP 7: UPRIGHTS

- 1: LINE UP THE PILOT HOLES OF THE 4 X 4 X 42" CORNER UPRIGHTS WITH THE HOLES AT EACH END OF THE MAIN FLOOR BEAMS.
- 2: FASTEN THE CORNER UPRIGHTS TO THE MAIN FLOOR BEAMS USING 6-1/2" CARRIAGE BOLTS WITH TORQUE WASHERS FROM THE OUTSIDE, AND 3/8" LOCK NUTS WITH 3/8" WASHERS FROM THE INSIDE.
- 3: LINE UP THE PILOT HOLES OF THE 4 X 4 X 72" CENTER UPRIGHTS WITH THE HOLES AT THE CENTER OF THE MAIN FLOOR BEAMS.
- 4: FASTEN THE CENTER UPRIGHTS TO THE MAIN FLOOR BEAMS USING 6-1/2" CARRIAGE BOLTS WITH TORQUE WASHERS FROM THE OUTSIDE, AND 3/8" LOCK NUTS WITH 3/8" WASHERS FROM THE INSIDE.
- 5: PLACE BOLT CAPS OVER ANY EXPOSED THREADS.



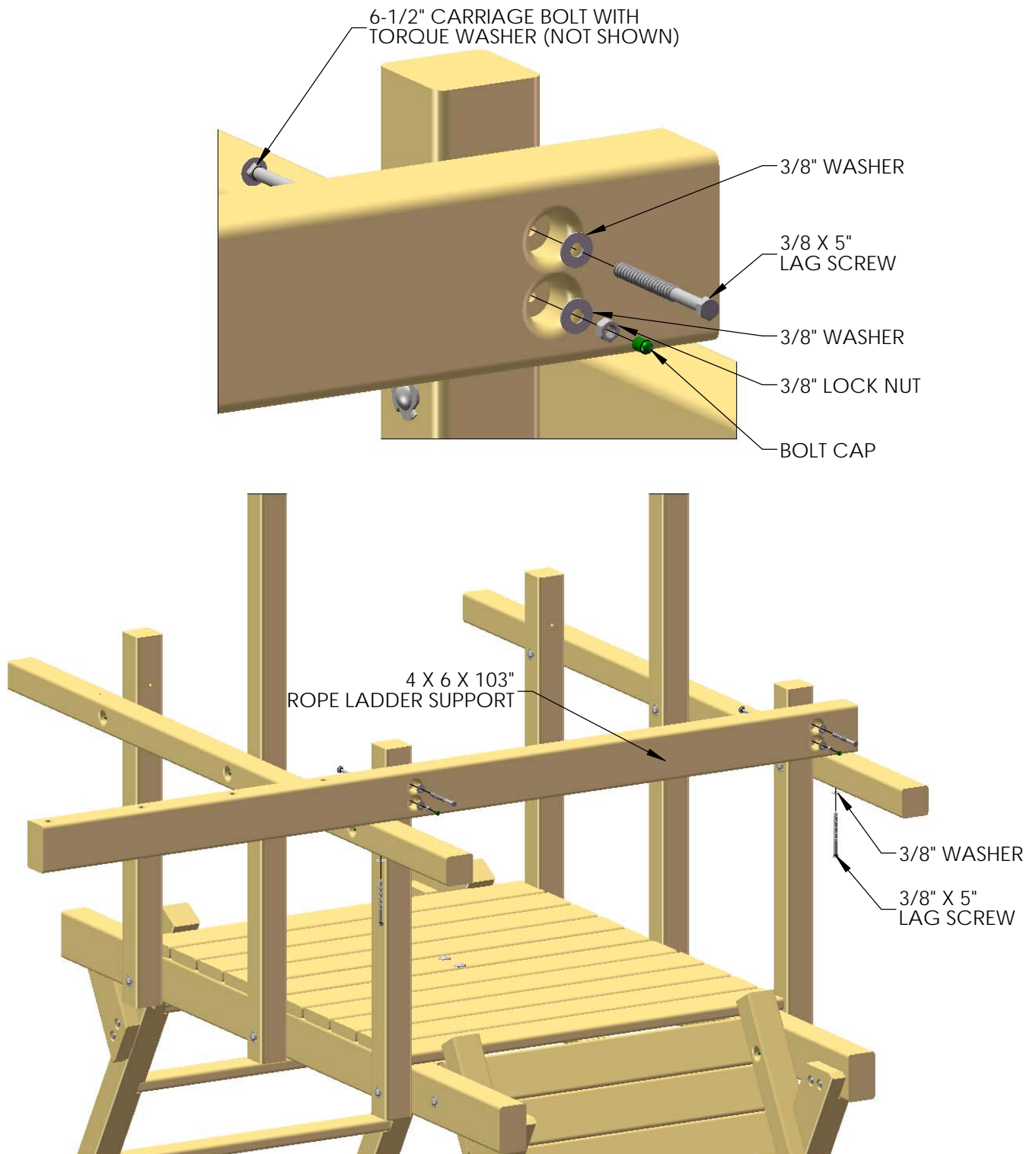
STEP 8: SIDE RAILS

- 1: PLACE THE 4 X 4 X 96" SWING BEAM SIDE RAIL FLUSH TO THE CORNER UPRIGHTS, LINING UP THE PILOT HOLES. MAKE SURE THAT THE SIDE WITH THREE CLOSELY PATTERNED COUNTER-SUNK HOLES IS FACING DOWN.
- 2: ATTACH THE SWING BEAM SIDE RAIL TO THE CORNER AND CENTER UPRIGHTS USING 6-1/2" CARRIAGE BOLTS WITH TORQUE WASHERS FROM THE INSIDE OF THE FORT, AND 3/8" LOCK NUTS WITH 3/8" WASHERS FROM THE OUTSIDE.
- 3: PLACE THE 4 X 4 X 96" SIDE RAIL FLUSH TO THE CORNER UPRIGHTS, LINING UP THE PILOT HOLES.
- 4: ATTACH THE SIDE RAIL TO THE CORNER AND CENTER UPRIGHTS USING 6-1/2" CARRIAGE BOLTS WITH TORQUE WASHERS FROM THE INSIDE OF THE FORT, AND 3/8" LOCK NUTS WITH 3/8" WASHERS FROM THE OUTSIDE.
- 5: USE BOLT CAPS TO COVER ANY EXPOSED THREADS.
- 6: SEE DETAIL "A" FOR A MORE DETAILED VIEW OF ASSEMBLY.



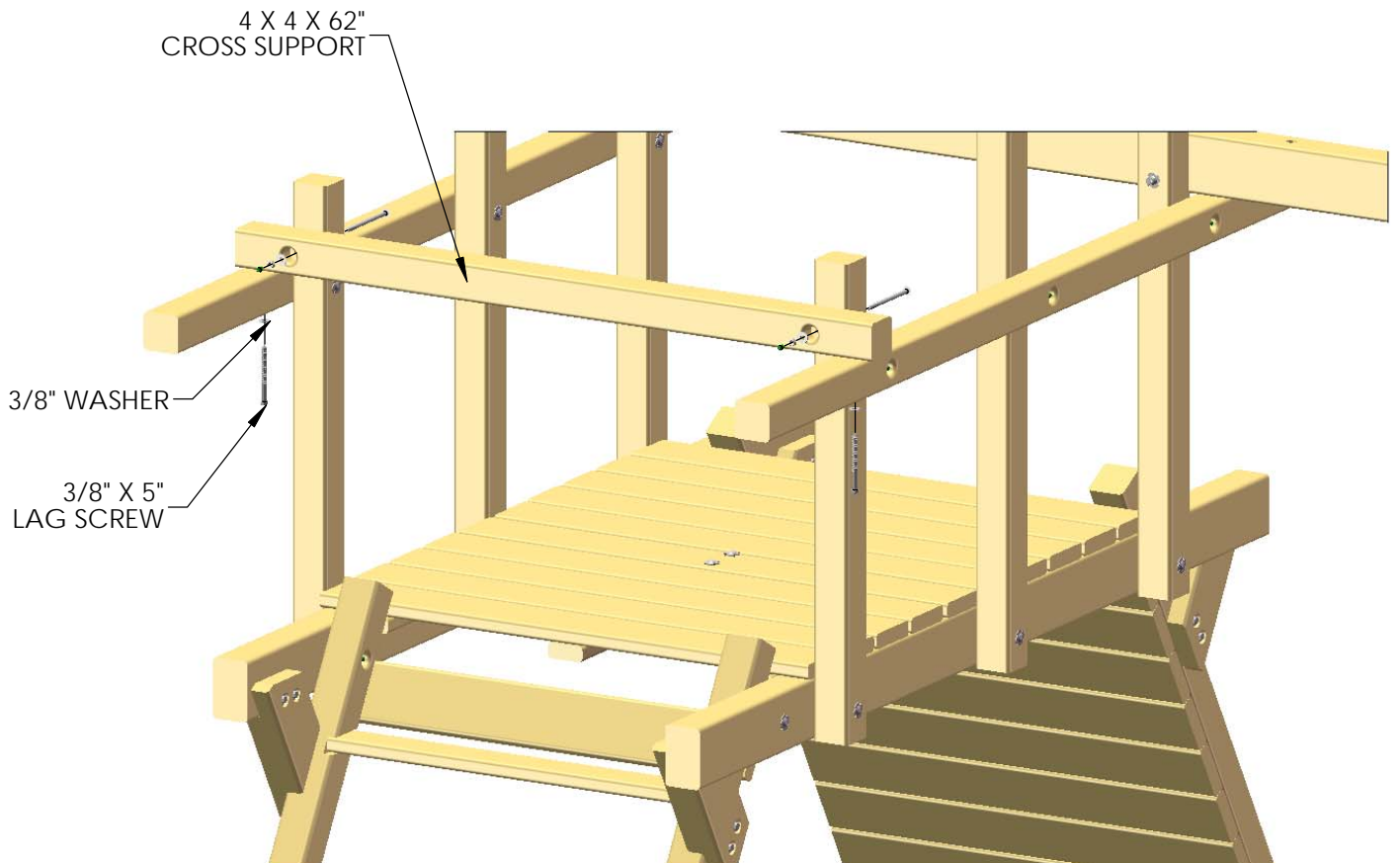
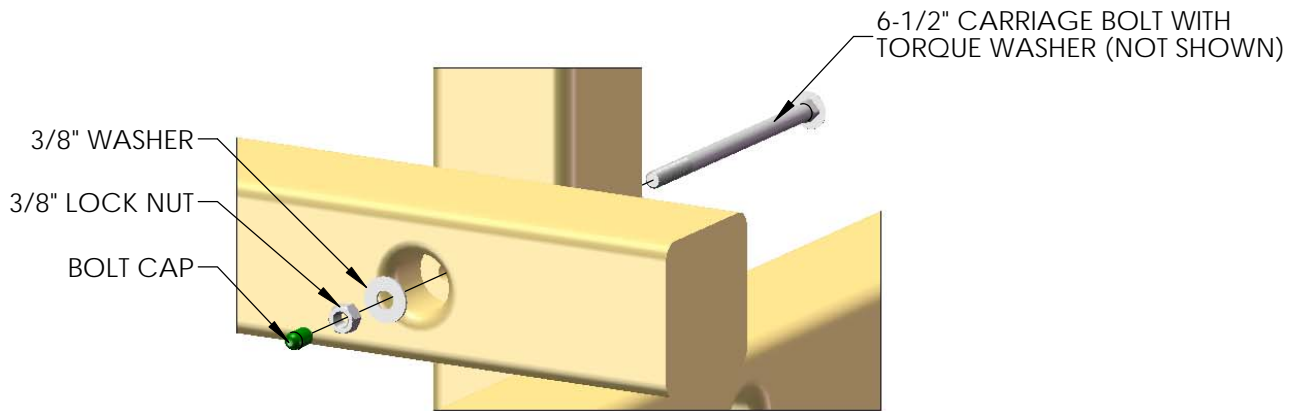
STEP 9: ROPE LADDER SUPPORT

- 1: PLACE THE 4 X 6 X 103" ROPE LADDER SUPPORT TO THE CORNER UPRIGHTS ON THE SAME SIDE THAT THE ROPE LADDER RUNNER WAS INSTALLED, LINING UP THE PILOT HOLES.
- 2: FASTEN THE ROPE LADDER SUPPORT TO THE CORNER UPRIGHTS USING 6-1/2" CARRIAGE BOLTS WITH TORQUE WASHERS FROM THE INSIDE OF THE FORT, AND 3/8" LOCK NUTS WITH 3/8" WASHERS FROM THE OUTSIDE.
- 3: USE 3/8 X 5" LAG SCREWS WITH 3/8" WASHERS IN THE TOP HOLES OF THE ROPE LADDER SUPPORT.
- 4: AFTER SECURING THE ROPE LADDER SUPPORT, USE 3/8 X 5" LAG SCREWS WITH 3/8" WASHERS FROM UNDERNEATH THE SIDE RAILS IN THE COUNTER-SUNK HOLES TO FULLY SECURE THE ROPE LADDER SUPPORT TO THE FORT.
- 5: COVER ANY EXPOSED THREADS WITH BOLT CAPS.



STEP 10: CROSS SUPPORT

- 1: PLACE THE 4 X 4 X 62" CROSS SUPPORT AGAINST THE CORNER UPRIGHTS ON THE OPPOSITE SIDE OF THE ROPE LADDER SUPPORT, LINING UP THE PILOT HOLES.
- 2: FASTEN THE CROSS SUPPORT TO THE CORNER UPRIGHTS USING 6-1/2" CARRIAGE BOLTS WITH TORQUE WASHERS FROM THE INSIDE OF THE FORT, AND 3/8" LOCK NUTS WITH 3/8" WASHERS FROM THE OUTSIDE.
- 3: AFTER SECURING THE CROSS SUPPORT, USE 3/8 X 5" LAG SCREWS WITH 3/8" WASHERS FROM UNDERNEATH THE SIDE RAILS IN THE COUNTER-SUNK HOLES TO FULLY SECURE THE CROSS SUPPORT TO THE FORT.
- 4: COVER ANY EXPOSED THREADS WITH BOLT CAPS.



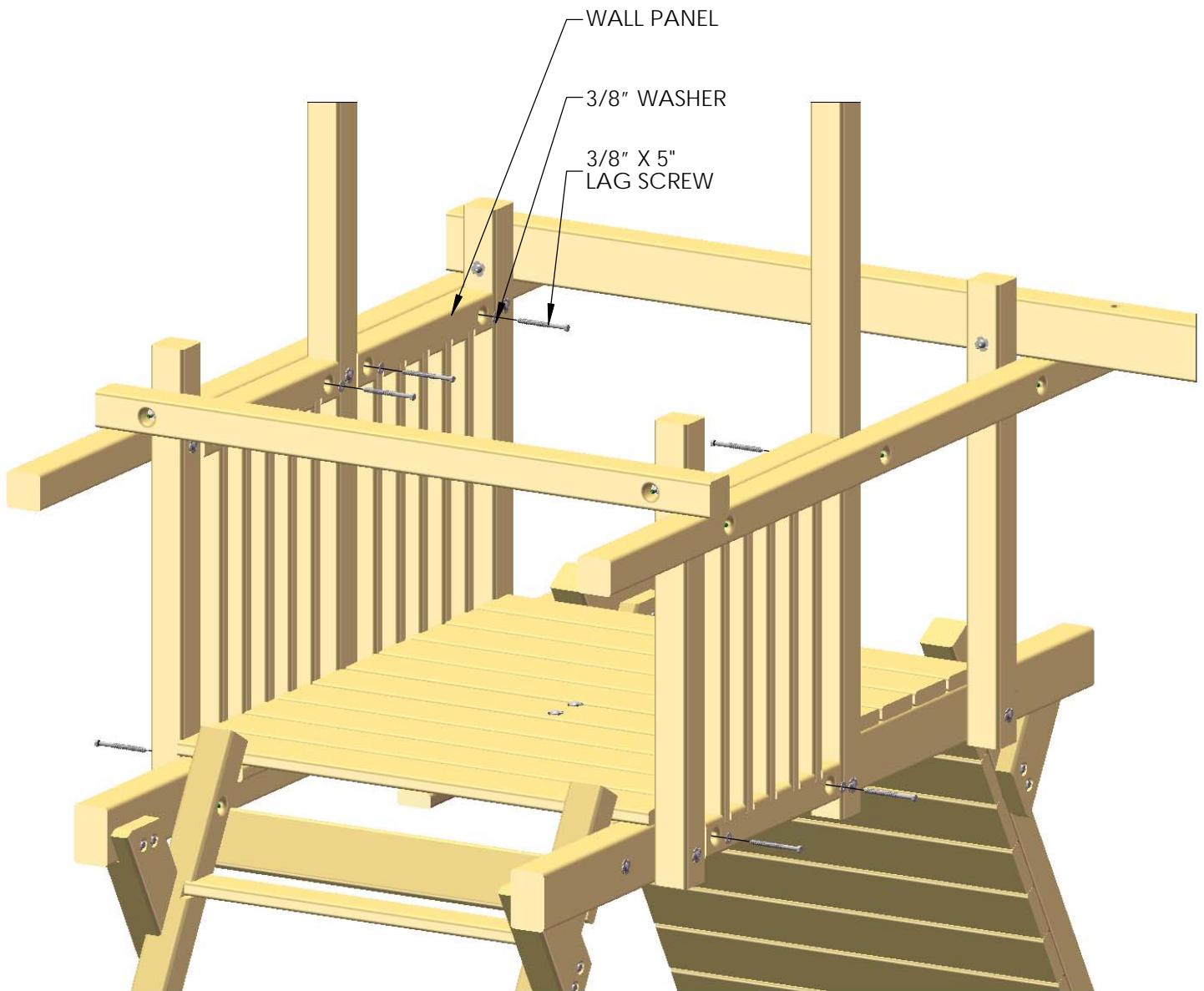
STEP 11: WALL PANELS

1: FIND THE THREE WALL PANELS.

2: THE TOPS OF THE WALL PANELS WILL MOUNT FLUSH TO THE TOP OF THE SIDE RAILS BETWEEN THE CENTER AND CORNER UPRIGHTS WITH 3/8 X 5" LAG SCREWS WITH 3/8" WASHERS.

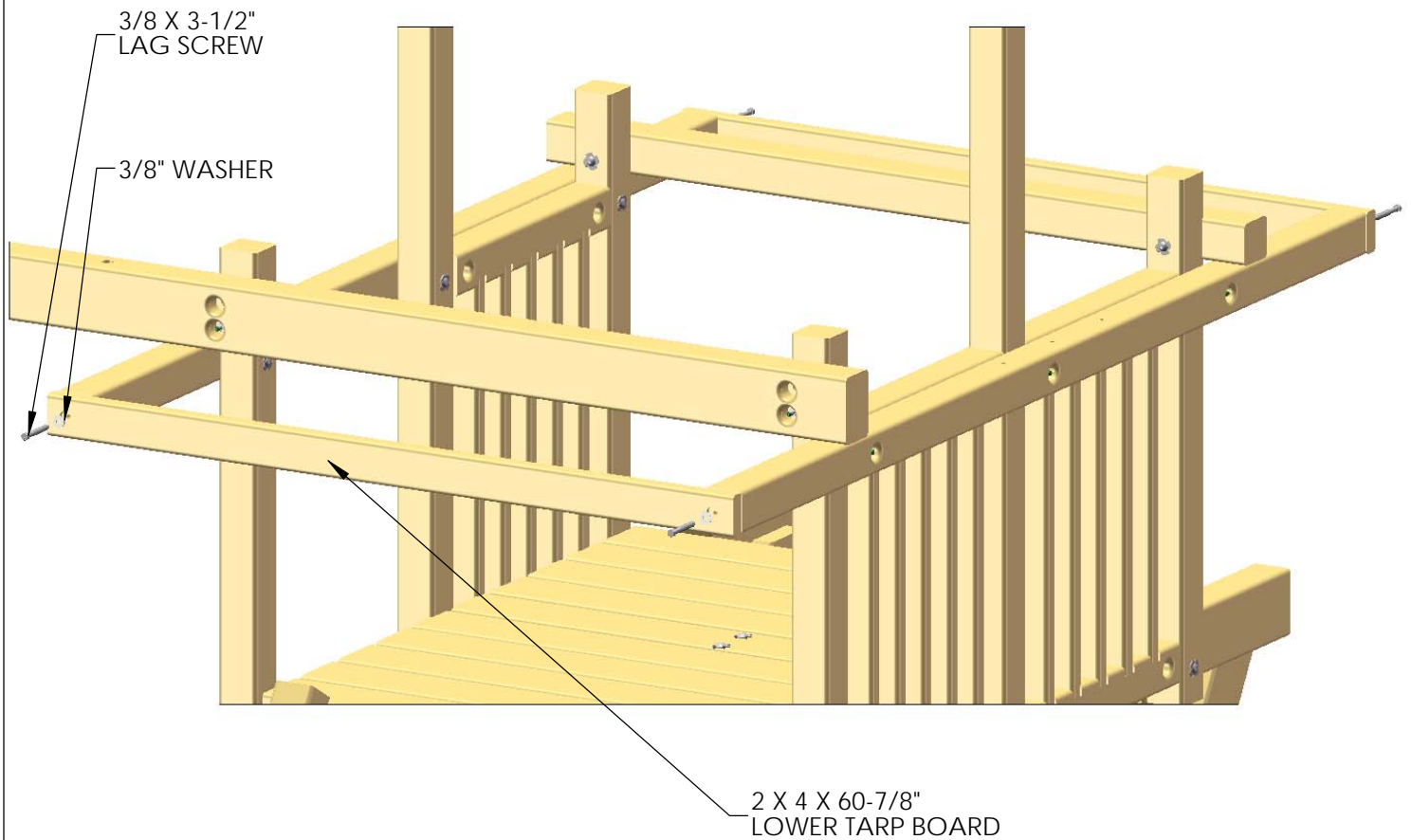
3: FINISH ATTACHING THE WALL PANELS TO THE UNIT WITH 3/8 X 5" LAG SCREWS INTO THE MAIN FLOOR SUPPORTS.

4: BE SURE TO LEAVE THE SIDE OPEN NEXT TO THE ROCK WALL ON THE OPPOSITE SIDE OF THE SWING BEAM SIDE RAIL.



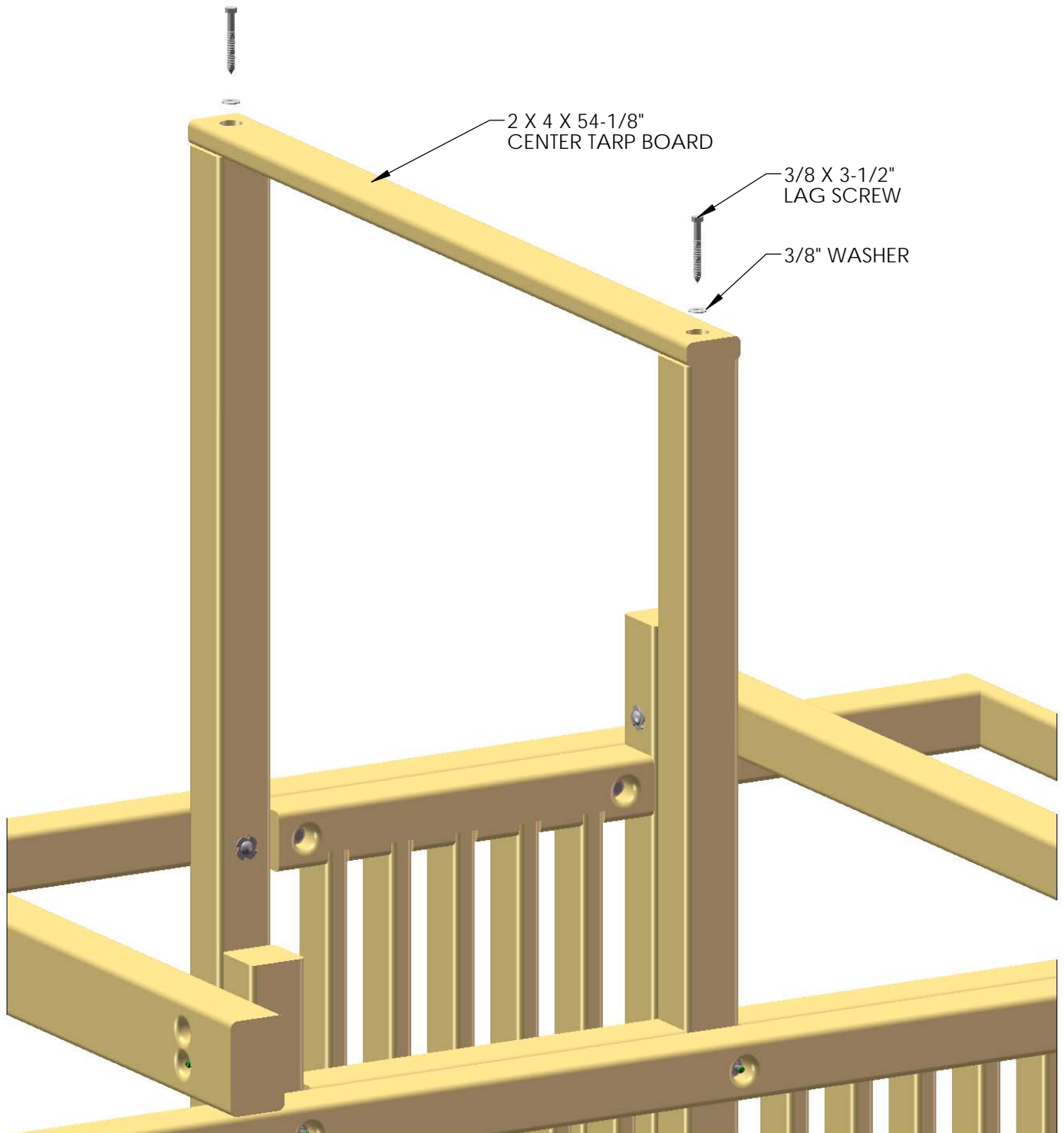
STEP 12: TARP BOARDS

- 1: FIND TWO 2 X 4 X 60-7/8" LOWER TARP BOARDS. THE TARP BOARDS WILL INSTALL AT THE ENDS OF THE SIDE RAILS.
- 2: ATTACH THE LOWER TARP BOARDS TO THE SIDE RAILS WITH 3/8 X 3-1/2" LAG SCREWS AND 3/8" WASHERS



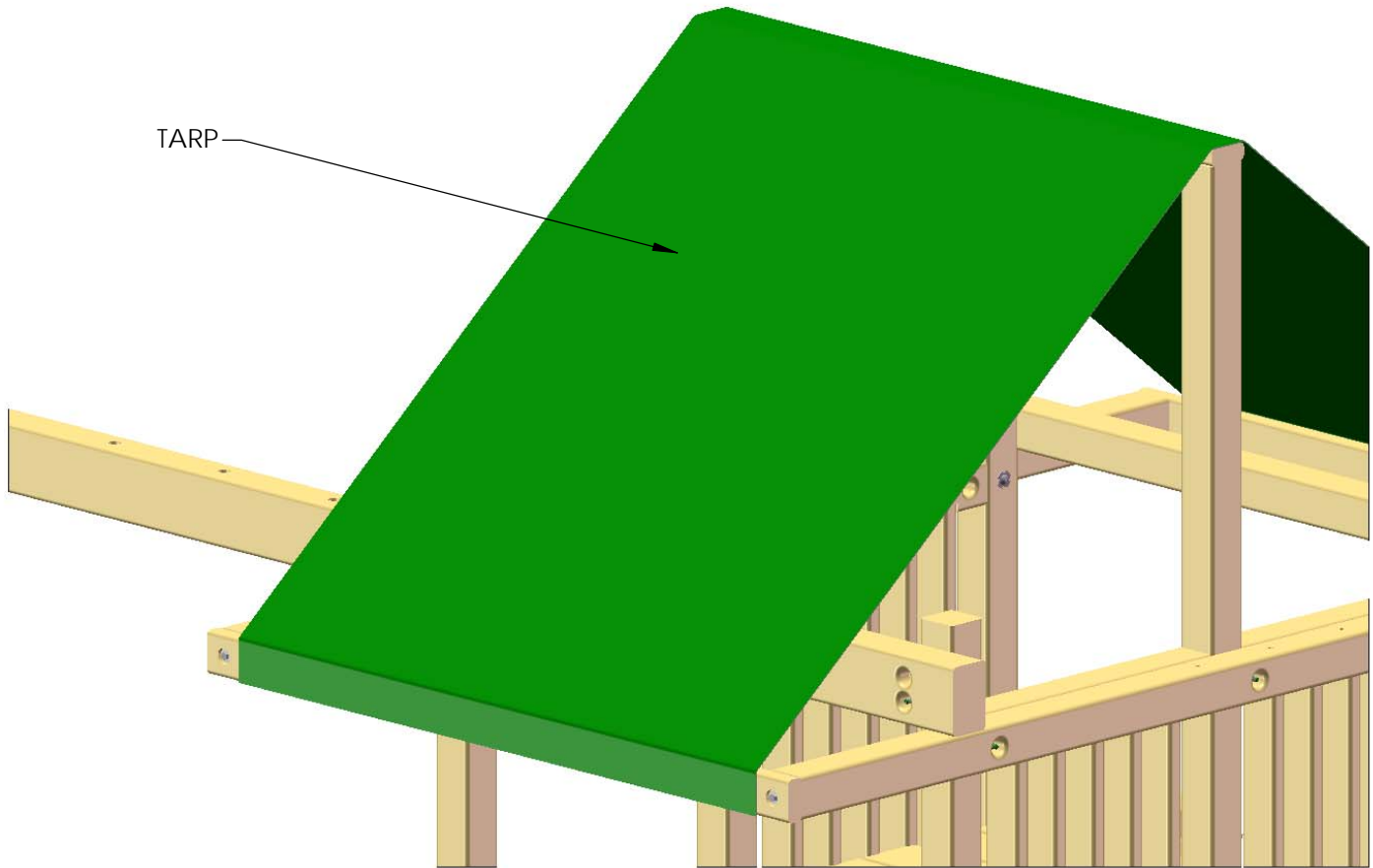
STEP 13: CENTER TARP BOARD

- 1: FIND ONE 2 X 4 X 54-1/8" CENTER TARP BOARD. PLACE THE CENTER TARP BOARD ON TOP OF THE CENTER UPRIGHTS.
- 2: FASTEN THE CENTER TARP BOARD TO THE CENTER UPRIGHTS WITH 3/8 X 3-1/2" LAG SCREWS AND 3/8" WASHERS.



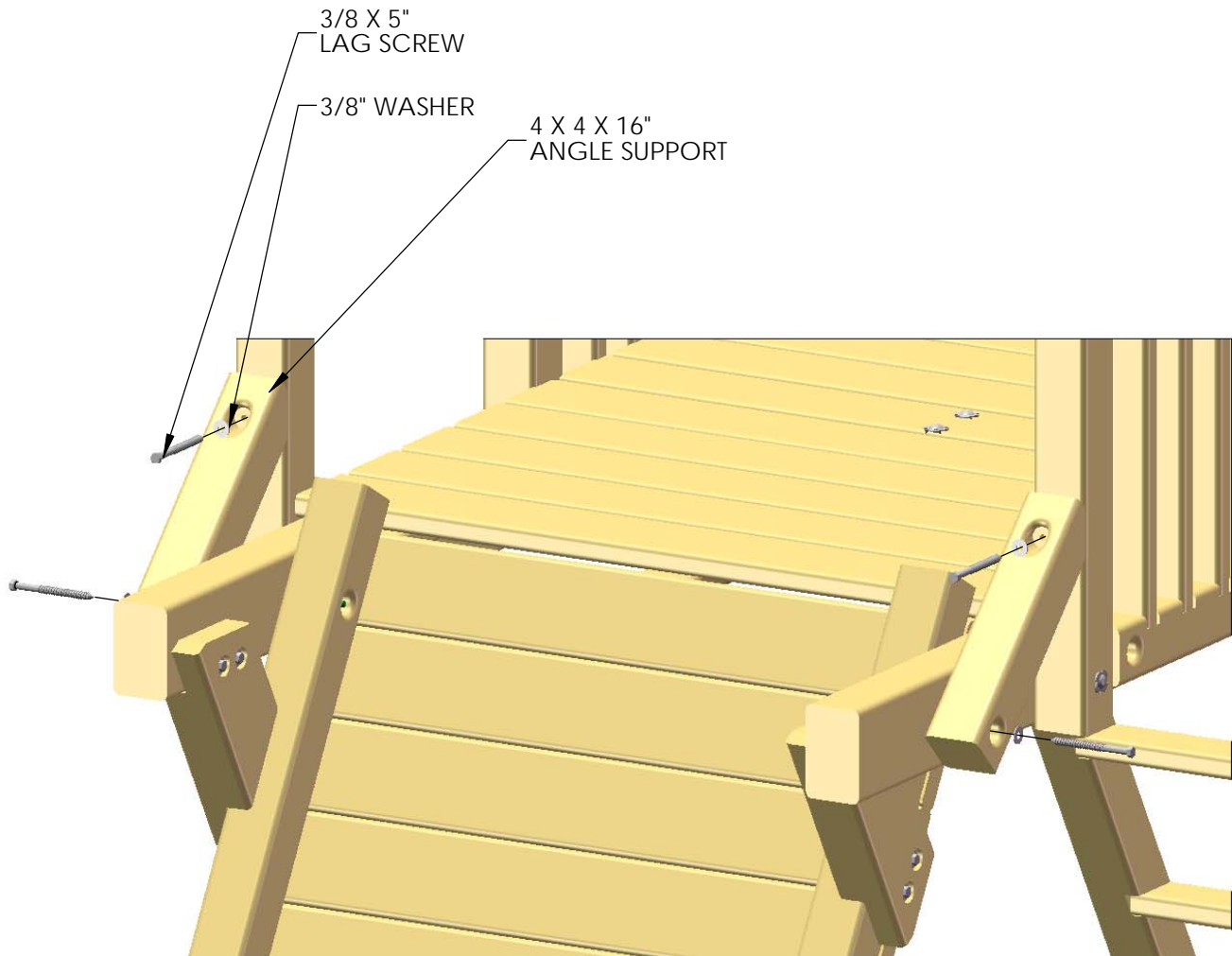
STEP 14: TARP

- 1: LAY THE TARP ACROSS THE CENTER TARP BOARDS AND THE END TARP BOARDS.
- 2: CENTER THE TARP ACROSS THE BOARDS, AND MARK THE LOCATION OF THE TARP SNAPS WITH A PENCIL.
- 3: PLACE A SNAP SCREW IN THE FRONT LEFT LOWER TARP BOARD IN THE MARK THAT WAS MADE. SNAP THE TARP INTO PLACE IN THIS LOCATION. MOVE TO THE RIGHT SIDE OF THE FORT, AND PLACE A SNAP SCREW IN THE RIGHT FRONT LOWER TARP BOARD IN THE MARK MADE.
- 4: CONTINUE INSTALLING THE TARP SNAPS IN THE SAME FASHION AS THE PREVIOUS STEP, WORKING DOWN THE TARP AND KEEPING IT TIGHT AT ALL TIMES.



STEP 15: ANGLE SUPPORTS

- 1: FIND FOUR 4 X 4 X 16" ANGLE SUPPORTS. THERE ARE TWO FOR THE LEFT SIDE AND TWO FOR THE RIGHT.
- 2: POSITION THE ANGLE SUPPORTS SO THAT THE ANGLED END WILL REST FLUSH AGAINST THE CORNER UPRIGHTS, AND THE COUNTER-SUNK HOLES WILL BE FACING TOWARDS THE OUTSIDE OF THE UNIT.
- 3: USE 3/8 X 5" LAG SCREWS WITH 3/8" WASHERS TO ATTACH THE ANGLE SUPPORTS TO THE FORT.

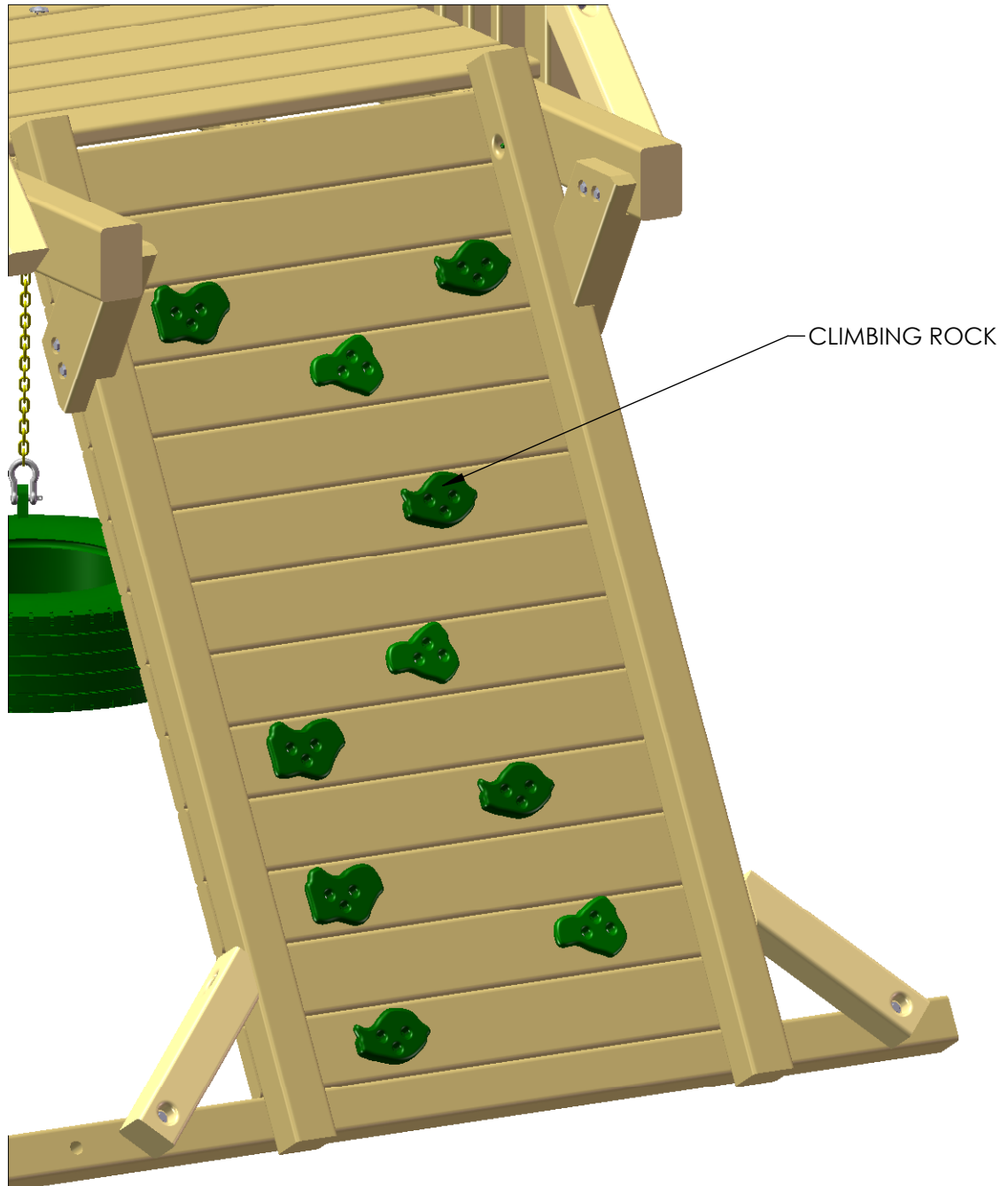


STEP 16: CLIMBING ROCKS

1: FIND TEN ROCKS AND THE THIRTY 1-1/4" PAN HEAD SCREWS WITH THIRTY WASHERS INCLUDED WITH THEM..

2: MOUNT THE ROCKS IN A STAGGERED MANNER ON THE ROCK WALL BOARDS. THREE PAN HEAD SCREWS WITH THREE WASHERS WILL SECURE EACH ROCK TO THE WALL.

NOTE: THE IMAGE SHOWN BELOW IS A GENERIC ARRANGEMENT OF ROCKS ON THE ROCK WALL. YOUR ACTUAL CONFIGURATION MAY BE DIFFERENT THAN WHAT YOU SEE BELOW. ROCKS CAN BE ARRANGED IN ANY PATTERN AS LONG AS THEY WILL ALLOW PROPER ACCESS TO THE FORT. BE CREATIVE!



STEP 17: ROPE LADDER

- 1: THREAD THE ROPE THROUGH THE HOLES IN THE ROPE LADDER SUPPORT FROM THE BOTTOM THROUGH THE TOP. FORM A SECURE KNOT AT THE TOP OF THE ROPE LADDER SUPPORT.
- 2: THREAD THE ROPE THROUGH THE HOLES IN THE ROPE LADDER RUNNER FROM THE FRONTSIDE OF THE ROPE LADDER RUNNER, THROUGH THE BACK SIDE. TIE A SECURE KNOT AT THE BACK SIDE OF THE ROPE LADDER RUNNER.
- 3: MAKE SURE THAT ALL THE RUNGS ARE LEVEL, AND THAT THE ROPES ARE TIED TIGHT. IDEAL TIGHTNESS IS WHEN YOU CAN NO LONGER WRAP THE ROPE AROUND YOUR HAND.

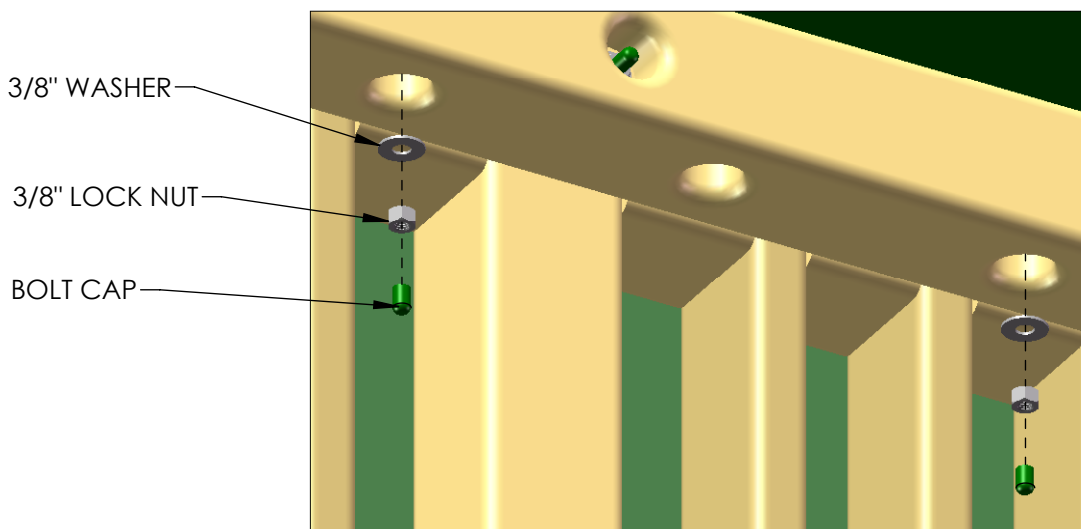
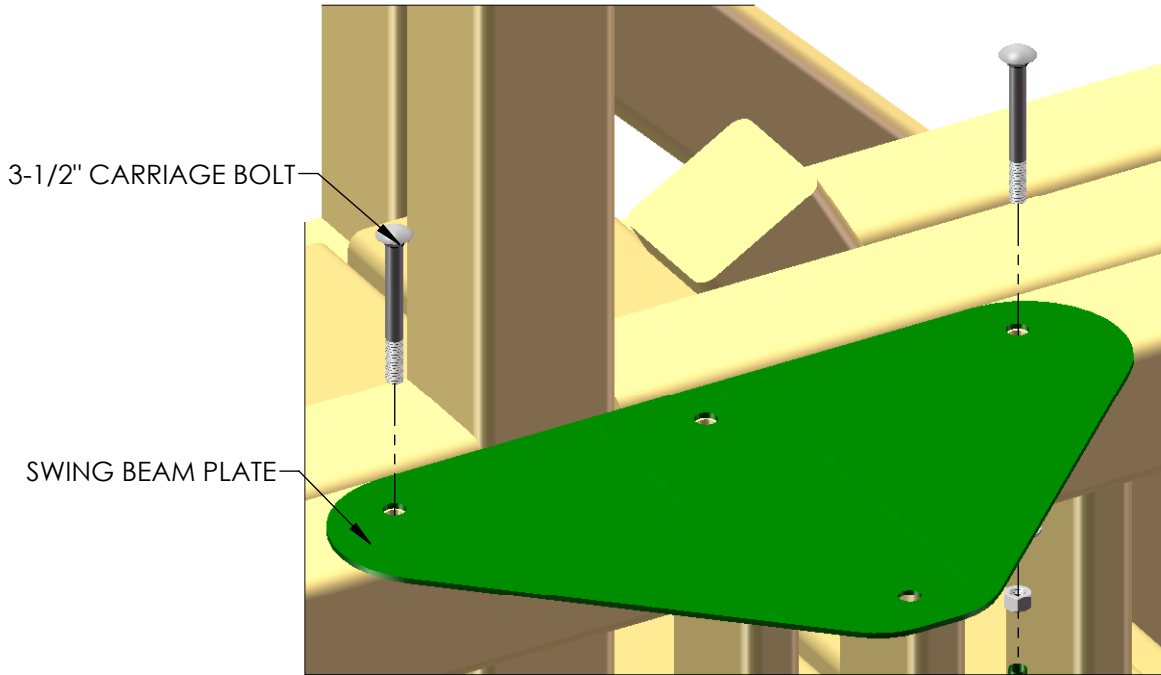


STEP 18: SWING BEAM PLATE

1: PLACE THE SWING BEAM PLATE ON TOP OF THE SWING BEAM SIDE RAIL, LINING UP PILOT HOLES.

2: FASTEN THE SWING BEAM PLATE TO THE SWING BEAM SIDE RAIL ON THE OUTSIDE HOLES USING 3-1/2" CARRIAGE BOLTS ON TOP, AND 3/8" WASHERS AND 3/8" LOCK NUTS ON THE BOTTOM. PLACE GREEN BOLT COVERS OVER EXPOSED THREADS AFTER SECURING.

3: LEAVE THE MIDDLE HOLE EMPTY, IT WILL BE USED LATER.

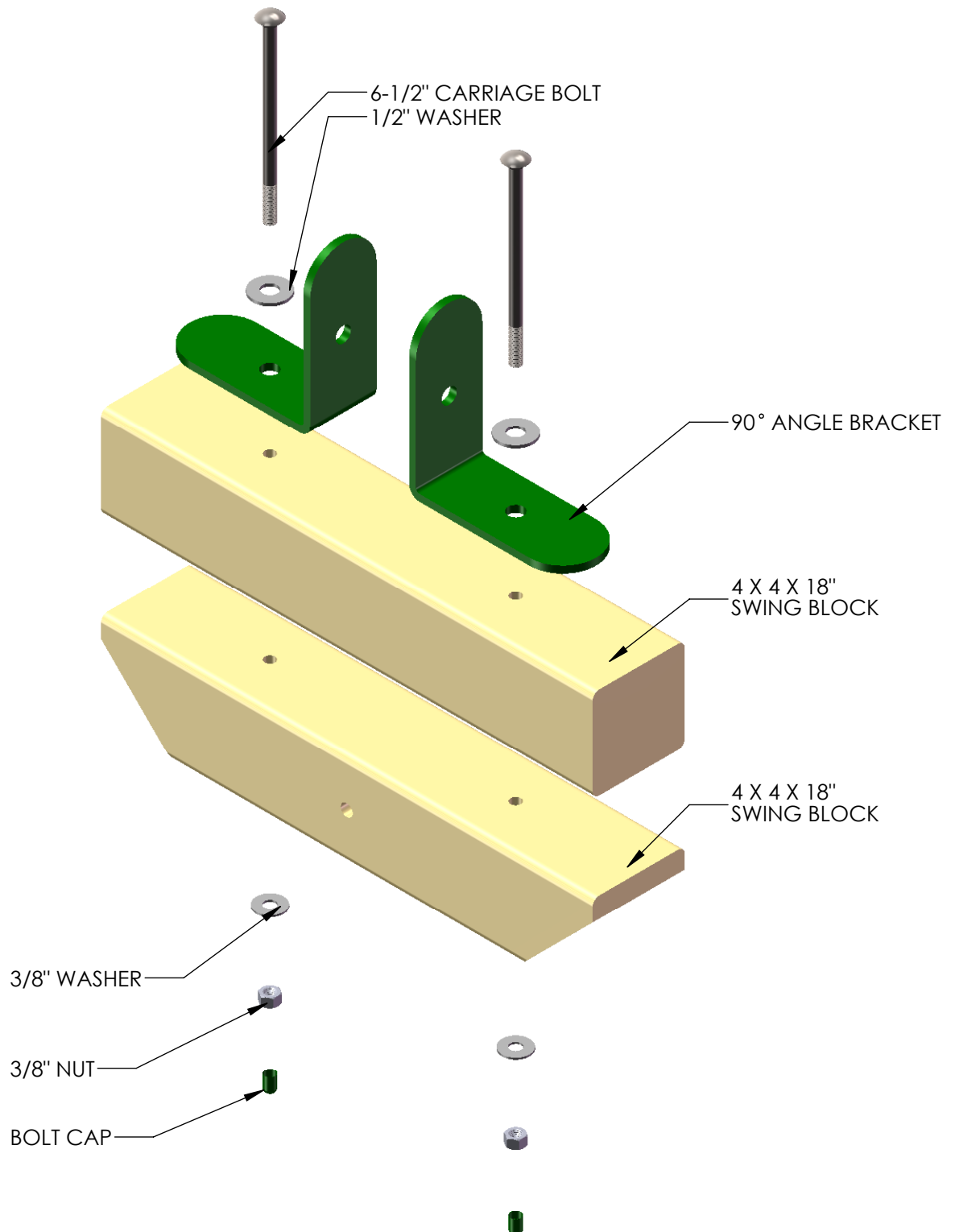


STEP 19: SWING BEAM

1: BOLT SWING BEAM BLOCK SUPPORTS TOGETHER WITH 6-1/2" CARRIAGE BOLTS AND 1/2" WASHERS THROUGH THE 90° ANGLE BRACKETS.

2: USE 3/8" WASHERS AND 3/8" LOCK NUTS ON BOTTOM SIDE OF BLOCK.

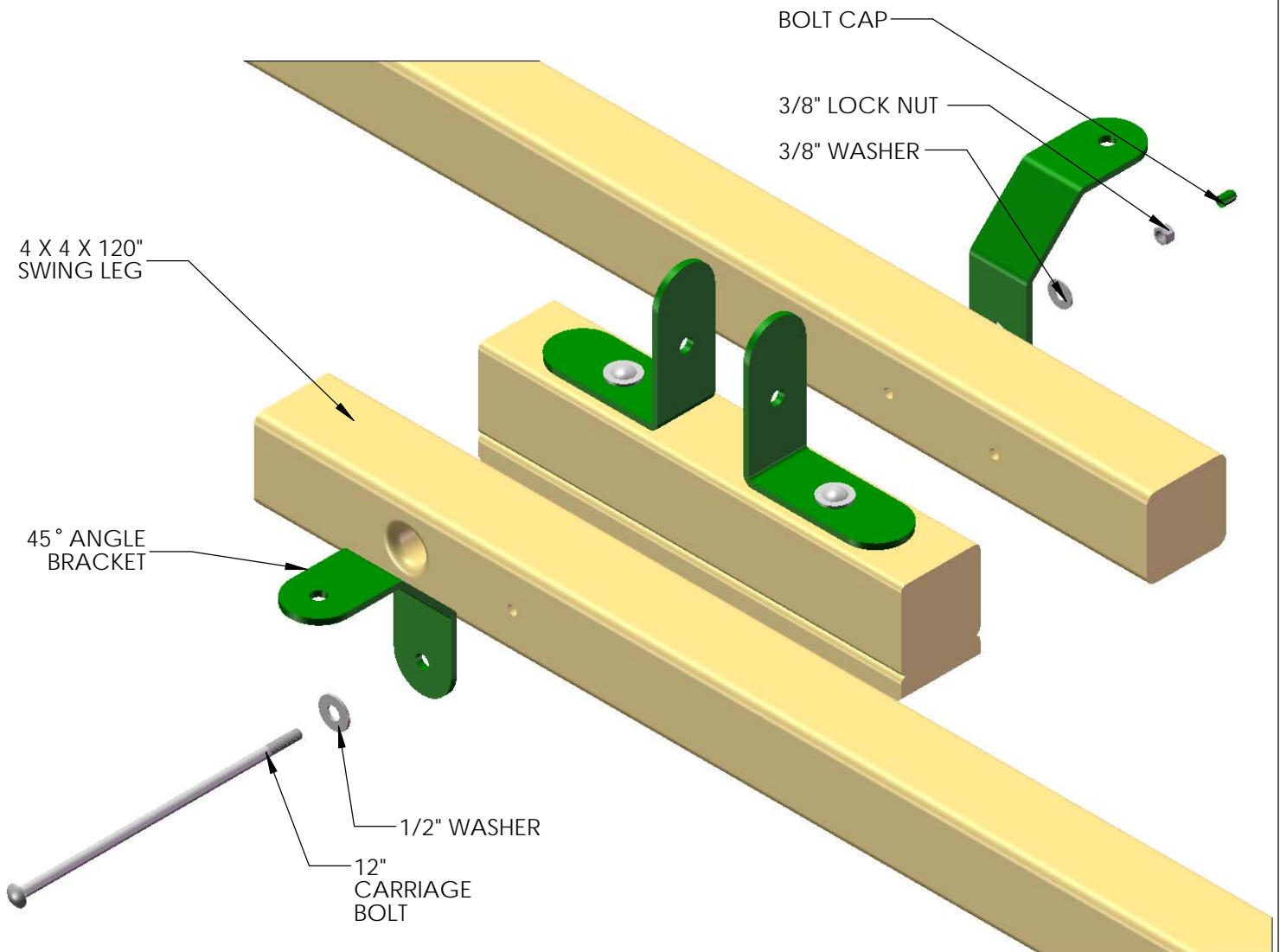
3: USE BOLT CAPS TO COVER ANY EXPOSED THREADS



STEP 20: SWING BEAM

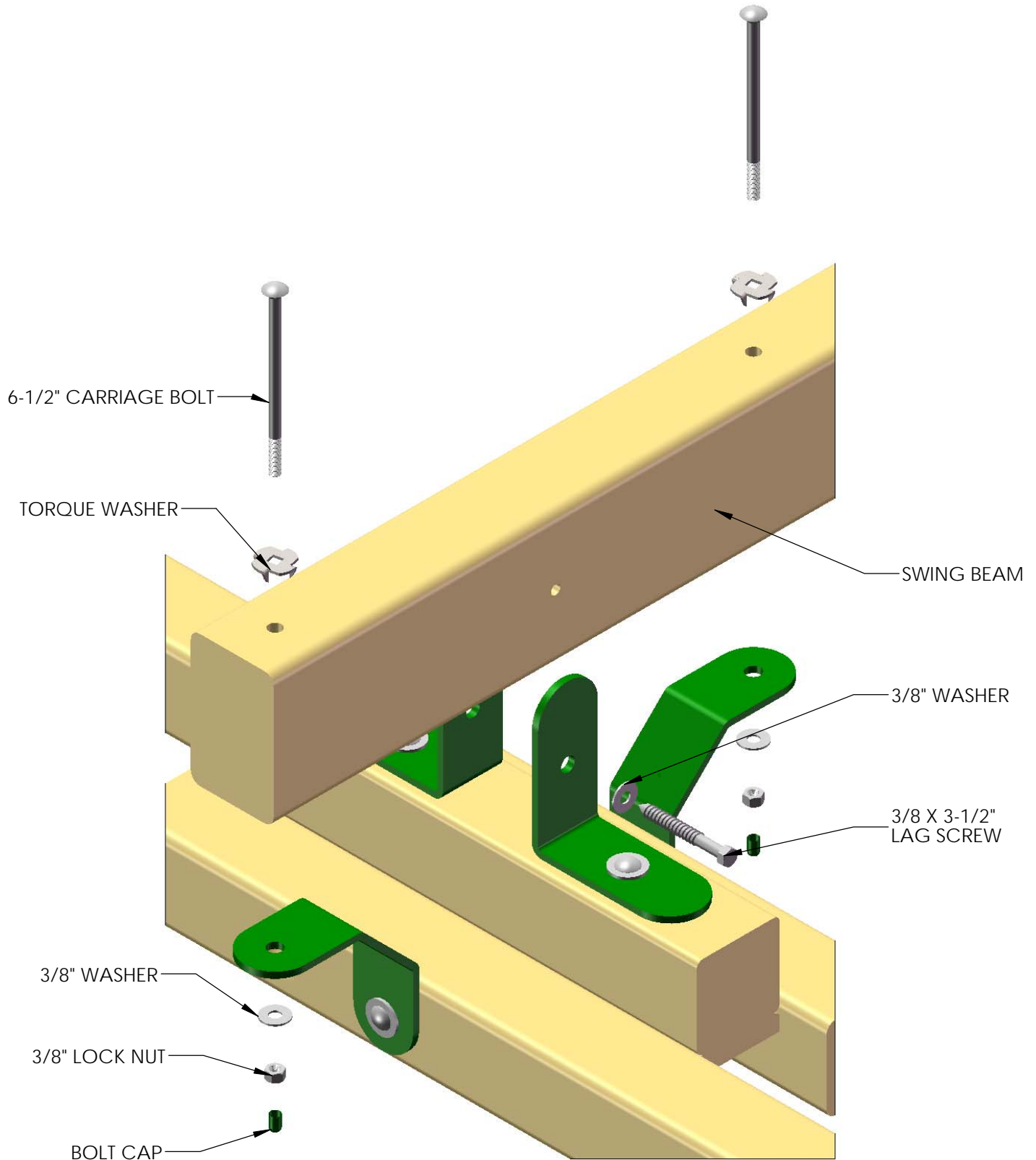
- 1: PLACE SWING BEAM BLOCK ASSEMBLY ON THE GROUND.
- 2: PLACE THE 4 X 4 X 120" SWING BEAM LEGS BESIDE THE BEAM BLOCK WITH THE COUNTER-SUNK HOLES FACING OUT.
- 3: HOLD IN PLACE AND SLIDE 12" CARRIAGE BOLT WITH 1/2" WASHER THROUGH THE 45 ° ANGLE BRACE, 4 X 4 LEG, SWING BEAM BLOCK ASSEMBLY, 4 X 4 LEG, AND 45 ° ANGLE BRACE.
- 4: USE A 3/8" LOCK NUT WITH A 3/8" WASHER ON THE OPPOSITE SIDE. USE A BOLT CAP TO COVER ANY EXPOSED THREADS.

NOTE: DO NOT FULLY TIGHTEN THE LOCK NUT AT THIS TIME. THE LEGS WILL NEED TO BE ABLE TO BE ADJUSTED LATER



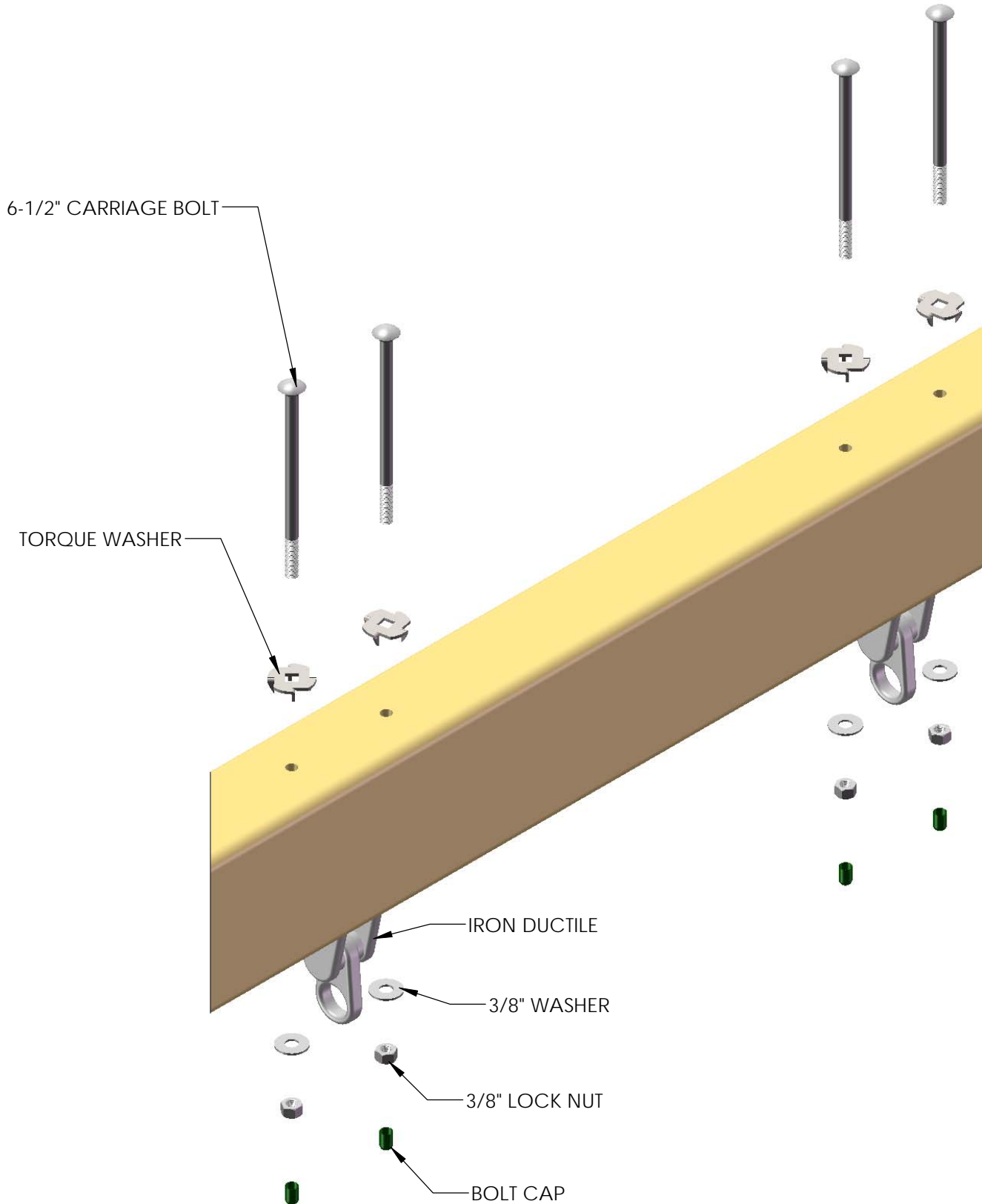
STEP 21: SWING BEAM

- 1: PLACE SWING BEAM BETWEEN 90° SWING BEAM BRACES.
- 2: FASTEN THE SWING BEAM TO THE SWING LEGS FROM THE TOP OF THE SWING BEAM USING 6-1/2" CARRIAGE BOLTS WITH TORQUE WASHERS. USE 3/8" LOCK NUTS WITH 3/8" WASHERS ON THE 45° ANGLE BRACES.
- 3: PLACE BOLT CAPS OVER ANY EXPOSED THREADS.
- 4: USE 3/8 X 3-1/2" LAG SCREWS WITH 3/8" WASHERS IN THE 90° ANGLE BRACKETS. ANGLE THE SCREWS UP OR DOWN SLIGHTLY ON EACH END TO PREVENT INTERFERENCE.



STEP 22: SWING BEAM

- 1: LINE UP THE HOLES OF THE IRON DUCTILES WITH THE HOLES IN THE SWINGBEAM.
- 2: FASTEN THE SWING HANGER TO THE SWING BEAM USING 6-1/2" CARRIAGE BOLTS WITH TORQUE WASHERS, AND 3/8" WASHERS WITH 3/8" LOCK NUTS.
- 3: PLACE BOLT CAPS OVER EXPOSED THREADS.



STEP 23: MOUNT SWING BEAM TO FORT

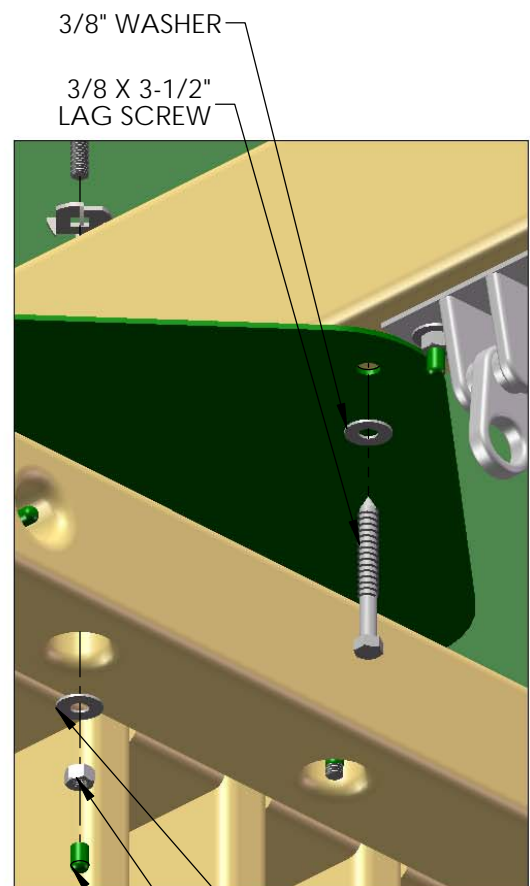
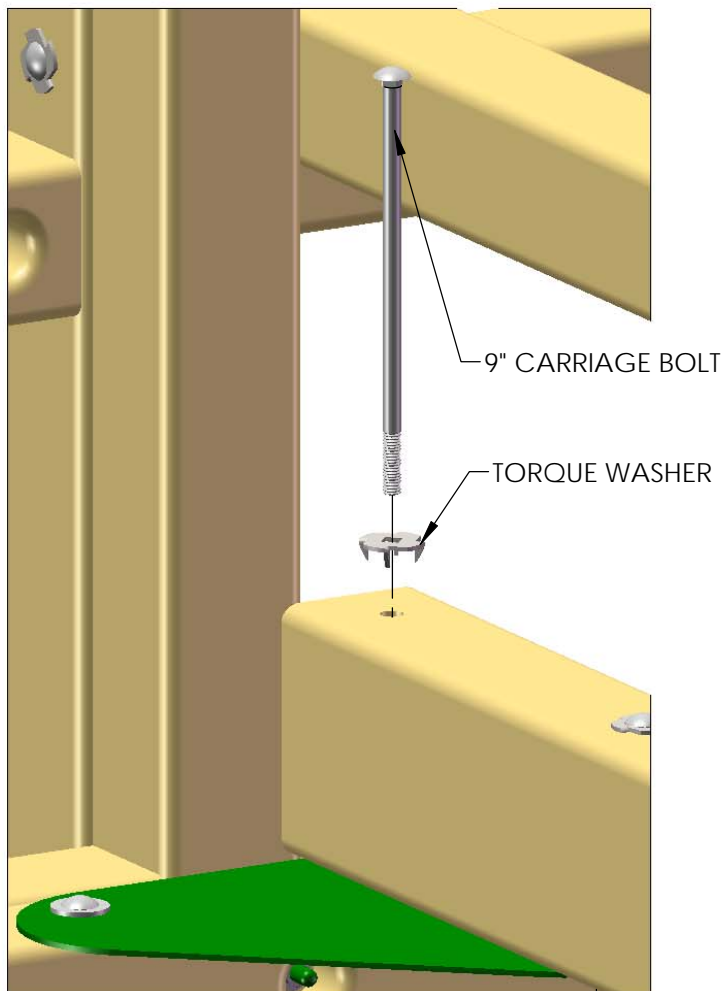
*AN EXTRA PERSON IS REQUIRED FOR THIS STEP

1: PICK UP THE SWING BEAM AND LEG ASSEMBLY. AS YOU LIFT THE BEAM, THE LEGS WILL SCISSOR CLOSER TOGETHER. **KEEP CHILDREN AWAY DURING THIS STEP. AS THE LEGS CLOSE, THEY CREATE A PINCH POINT AND COULD CAUSE SERIOUS INJURY!** PLACE THE END OF THE SWING BEAM ON TOP OF THE SWING BEAM PLATE.

2: LINE UP THE PILOT HOLE ON THE END OF THE SWING BEAM WITH THE MIDDLE HOLE ON THE SWING BEAM PLATE.

3: FASTEN THE SWING BEAM TO THE SWING BEAM PLATE AND SWING BEAM SIDE RAIL USING A 9" CARRIAGE BOLT WITH A TORQUE WASHER ON TOP AND A 3/8" LOCK NUT AND WASHER ON THE BOTTOM. PLACE GREEN BOLT CAPS OVER EXPOSED THREADS AFTER SECURING.

4: FASTEN THE SWING BEAM TO THE SWING BEAM PLATE FROM UNDERNEATH WITH A 3/8 X 3-1/2" LAG SCREW AND A 3/8" WASHER.



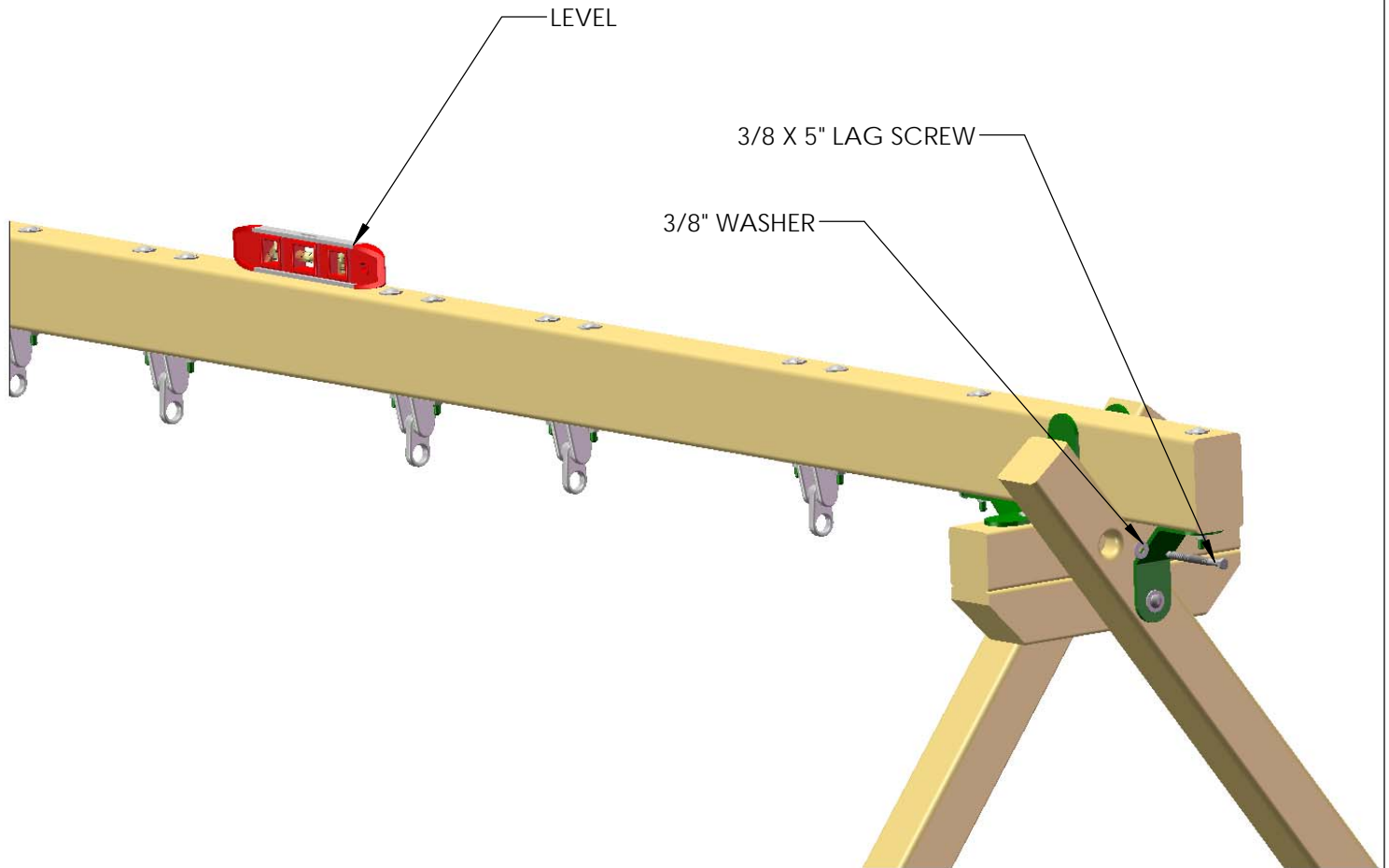
3/8" WASHER

3/8" LOCK NUT

BOLT CAP

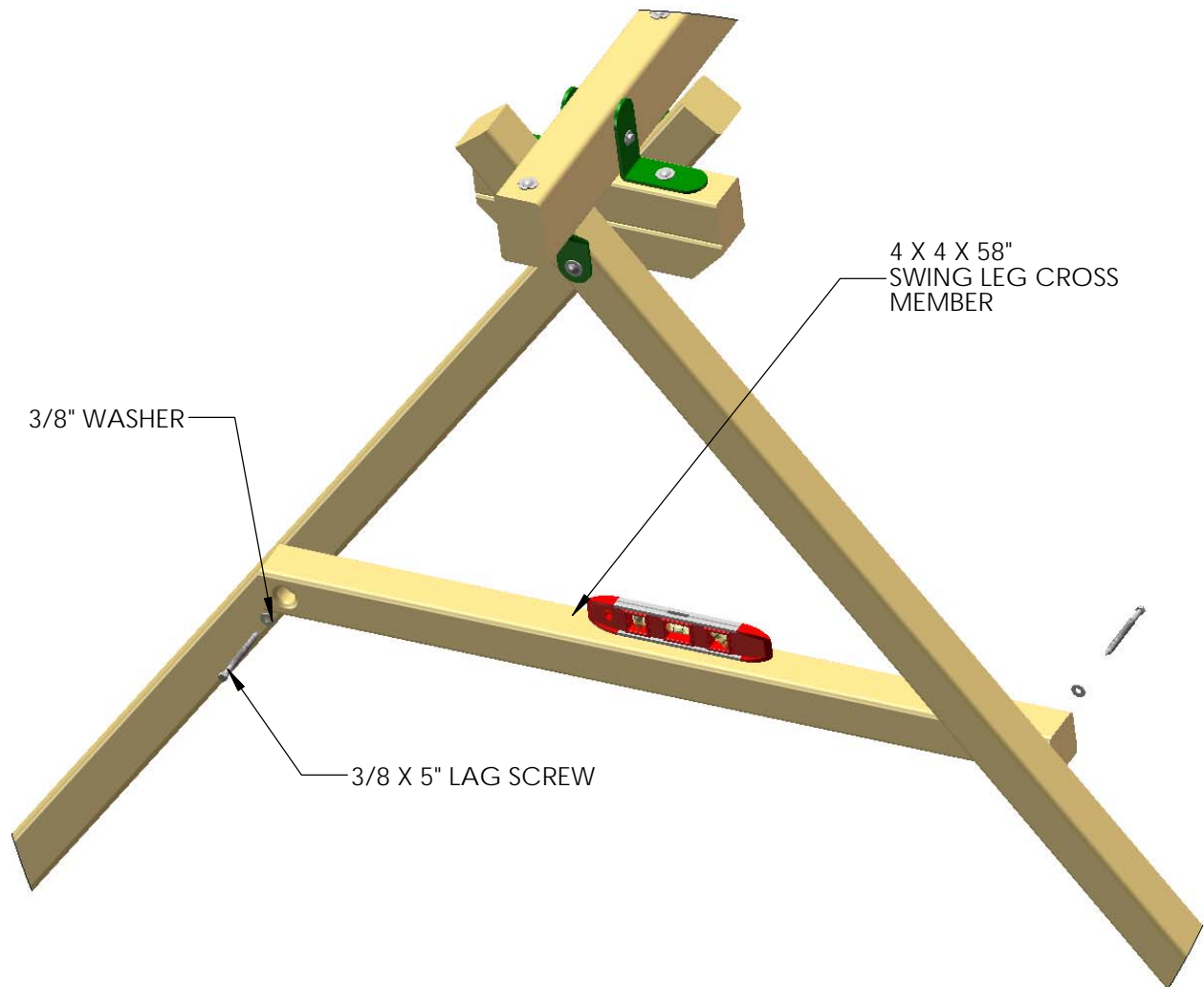
STEP 24: SWING BEAM LEGS

- 1: USE THE SWING BEAM LEGS TO LEVEL THE SWING BEAM.
- 2: FASTEN THE SWING BEAM LEGS TO THE SWING BLOCK ASSEMBLY WITH 3/8 X 5" LAG SCREWS AND 3/8" WASHERS.
- 3: TIGHTEN THE 12" CARRIAGE BOLT THAT WAS INSTALLED EARLIER. YOU MAY NEED TO USE LOCKING PLIERS TO HOLD THE CARRIAGE BOLT IN PLACE WHEN INSTALLING.



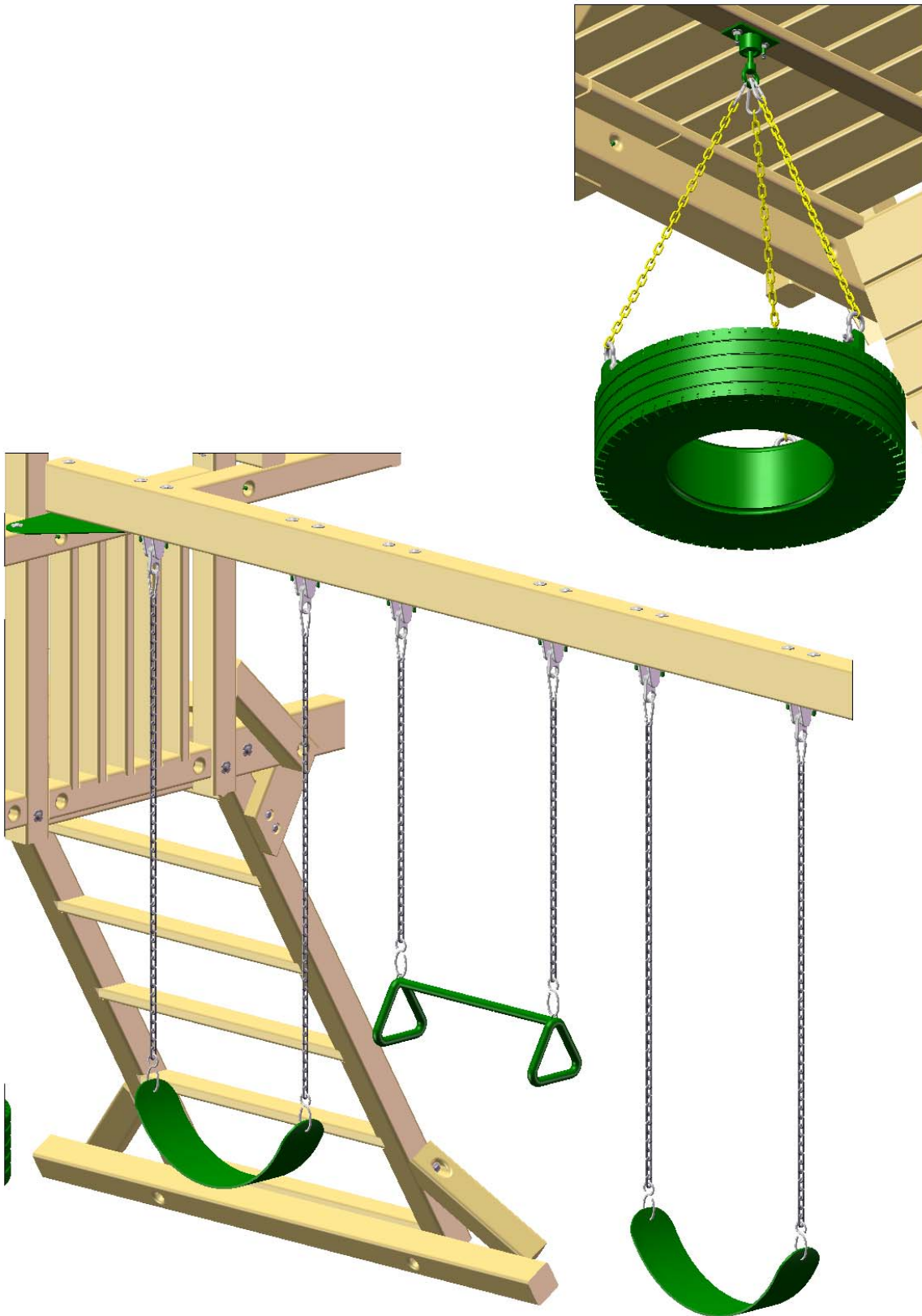
STEP 25: SWING BEAM CROSS MEMBER

1: PLACE THE 4 X 4 X 58" SWING LEG CROSS MEMBER ON THE SWING BEAM LEGS AND LEVEL. FASTEN 4 X 4 CROSS MEMBER TO 4 X 4 LEGS WITH 3/8 X 5" LAG SCREWS AND 3/8" WASHERS.



STEP 26: HANGING THE SWINGS

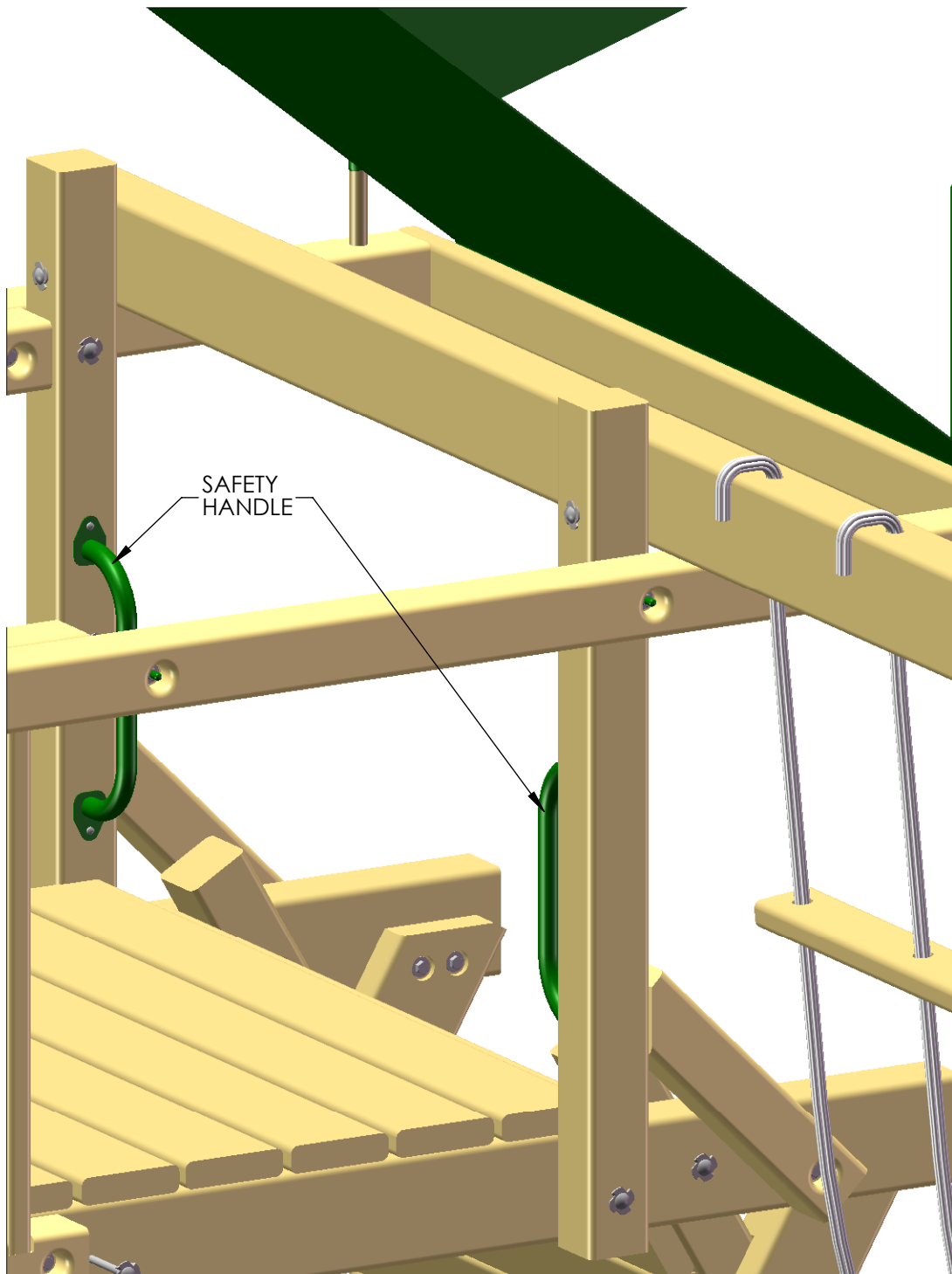
- 1: PLACE THE SPRING CLIPS ON THE CHAINS OF THE SWINGS, TRAPEZE , AND TIRE SWING.
- 2: HANG THE SWINGS BY THE SWING CLIPS FROM THE DUCTILES ON THE SWING BEAM. EACH CHAIN ON THE TIRE SWING WILL GET A SPRING CLIP; AND THESE WILL BE HUNG FROM THE TIRE SWIVEL.
- 3: ADJUST CHAIN HEIGHT AS NECESSARY.



STEP 27: SAFETY HANDLES

1: PLACE THE SAFETY HANDLES ABOVE THE DECK, CENTERED ON THE CORNER UPRIGHTS. TWO SAFETY HANDLES WILL BE PLACED ABOVE THE ROCK WALL AND TWO SAFETY HANDLES WILL BE PLACED ABOVE THE ENTRY LADDER.

2: ATTACH THE SAFETY HANDLES TO THE CORNER UPRIGHTS WITH 1-1/4" PAN HEAD SCREWS AND 1/4" FLAT WASHERS.

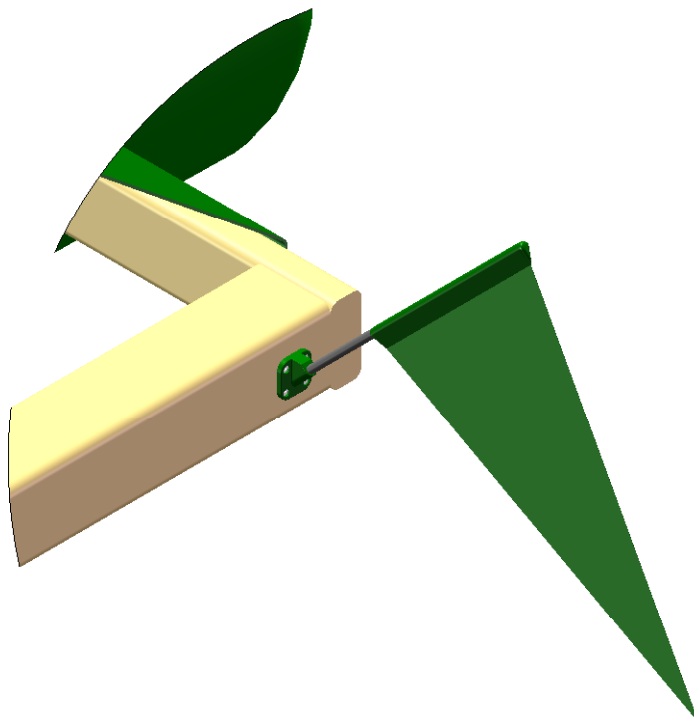
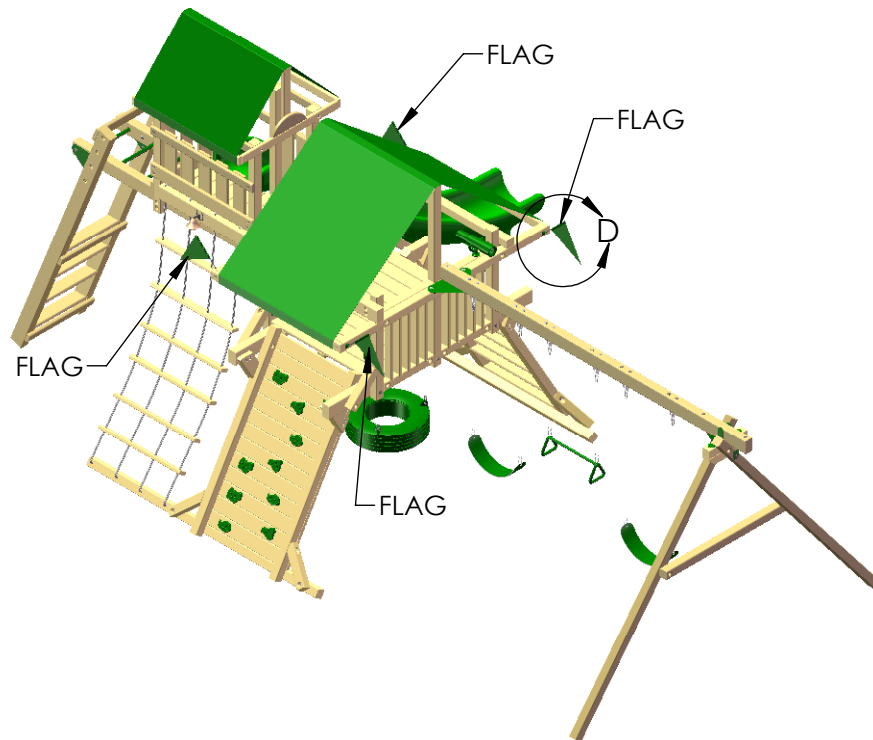


STEP 28: FLAG KITS

1: THE FLAG KITS WILL INSTALL ON THE OUTER FACE OF THE SIDE RAILS.

2: NO SPECIFIC MEASUREMENTS ARE NEEDED, BUT THE TOP SURFACE OF THE BASE OF EACH FLAG SHOULD BE LOCATED DOWN APPROXIMATELY 1" BELOW THE TOP OF THE SIDE RAIL.

3: ATTACH THE FLAGS WITH THE SCREWS PROVIDED WITH THEM.

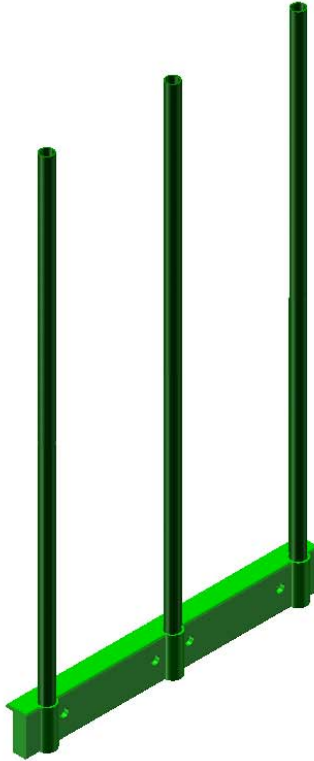


STEP 29: TIC TAC TOE

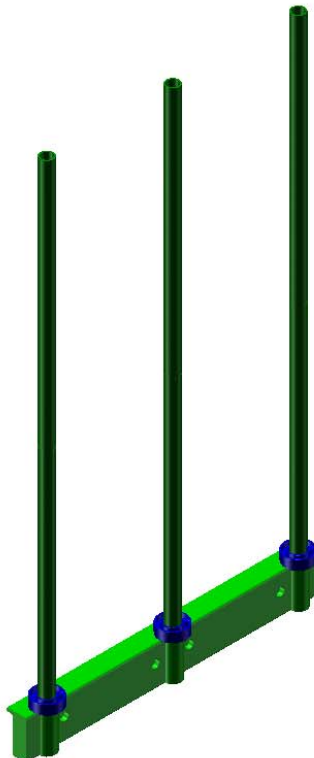
- 1: LOCATE THE GREEN DOWELS AND MATCH THEM AS FOLLOWS: ONE THREADED STUD END, AND ONE THREADED INSERT.
- 2: SCREW THE STUDS INTO THE INSERTS UNTIL TIGHT.
- 3: REPEAT STEPS 1 AND 2 WITH THE REMAINING TWO SETS



- 4: LOCATE ONE OF THE GREEN BRACKETS AND PLACE THE DOWELS IN AS SHOWN.



- 5: LOCATE THE BLUE COLLARS AND SLIDE THEM OVER THE DOWELS



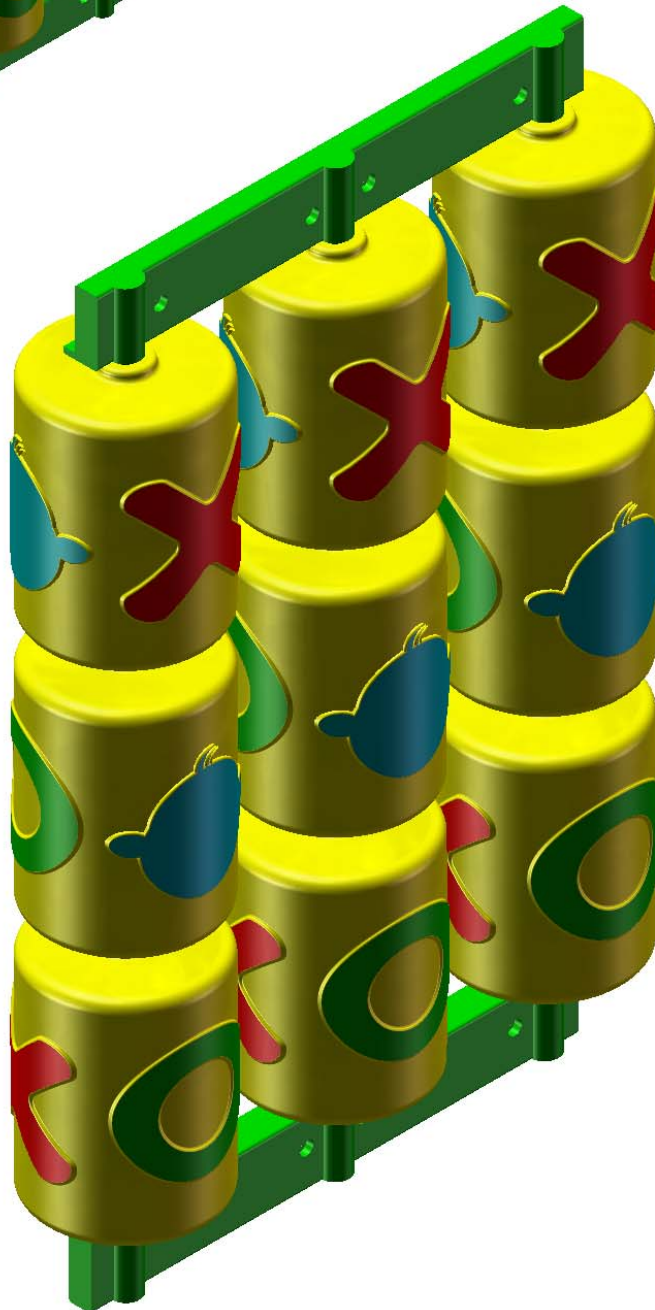
STEP 30: TIC TAC TOE

1: LOCATE THE TIC-TAC-TOE TUMBLERS AND PLACE ONE ON EACH DOWEL ABOVE THE COLLARS.

2: CONTINUE PLACING COLLARS AND TUMBLERS ON THE DOWELS UNTIL NONE REMAIN.



3: LOCATE THE GREEN BRACKET AND PLACE ON TOP OF ASSEMBLY. LINE UP THE HOLES IN THE BRACKET WITH THE DOWELS ON THE UNIT.



STEP 31: TIC-TAC-TOE PANEL

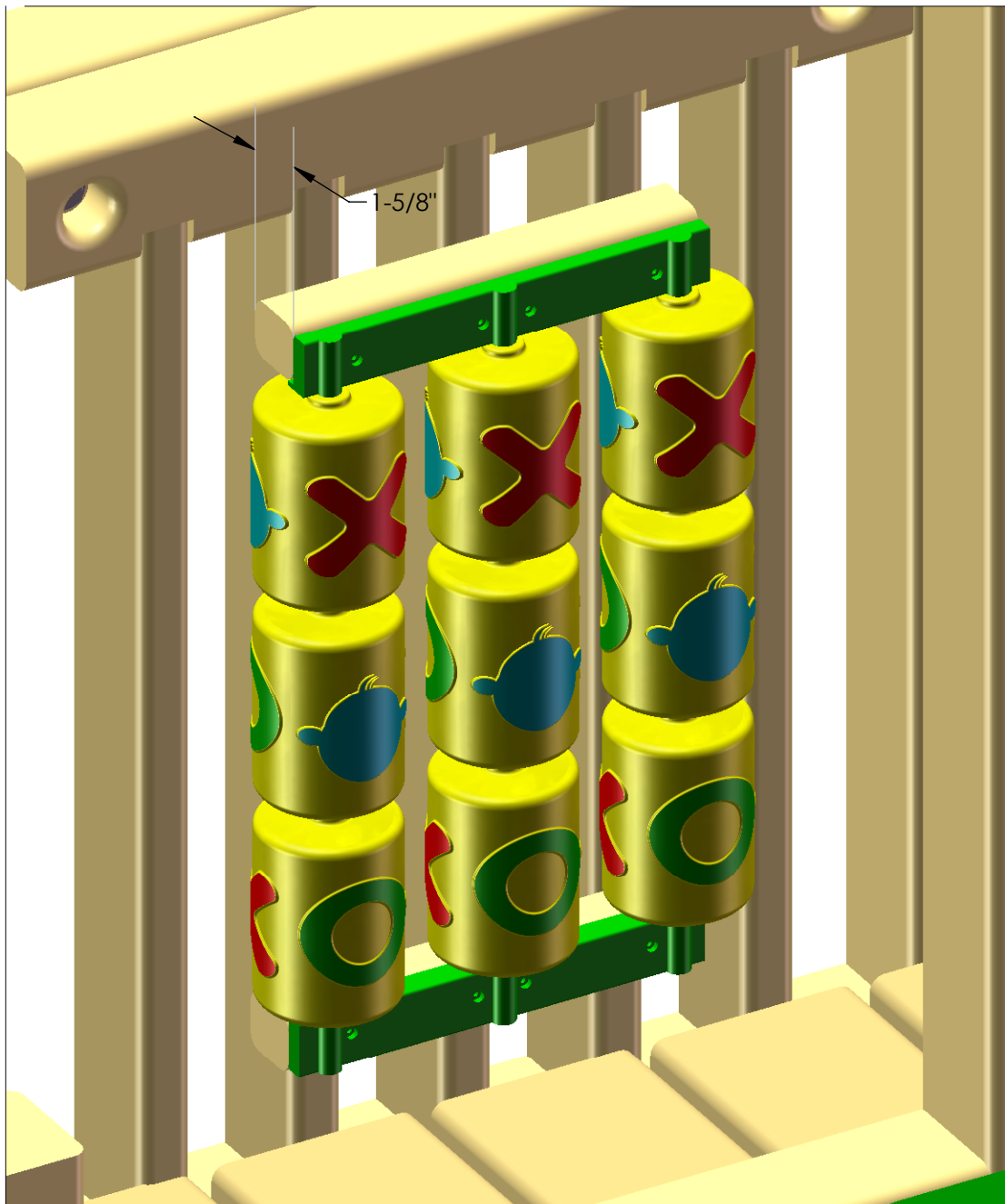
1: CENTER THE 1-3/8" X 1-5/8" X 10-1/2" BLOCK BETWEEN THE PANEL SLATS ON THE SLIDE SIDE PANEL WALL, 4" FROM THE DECK, AND ATTACH WITH 2-1/2" WOOD SCREWS. MAKE SURE THE BOARD HAS THE 1-5/8" SIDE FACING UP BEFORE SECURING IT.

2: PLACE THE TIC-TAC-TOE PANEL ON THE PREVIOUSLY INSTALLED BOARD, AND THEN PLACE THE OTHER 1-3/8" X 1-5/8" X 10-1/2" BLOCK AT THE TOP OF THE TIC-TAC-TOE PANEL.

3: WITH A PENCIL, MAKE A MARK AT THE TOP OF THE BOARD AND SET THE ASSEMBLY ASIDE.

4: PLACE THE TIC-TAC-TOE PANEL BLOCK BACK AT THE MARK THAT WAS PREVIOUSLY MADE, AND ATTACH IT WITH 2-1/2" WOOD SCREWS. MAKE SURE THE BOARD HAS THE 1-5/8" SIDE FACING UP BEFORE SECURING IT.

5: PLACE THE TIC-TAC-TOE PANEL ON THE INSTALLED BLOCKS, AND ATTACH IT TO THE BLOCKS WITH THE PROVIDED WOOD SCREWS IN THE TIC TAC TOE BOX.

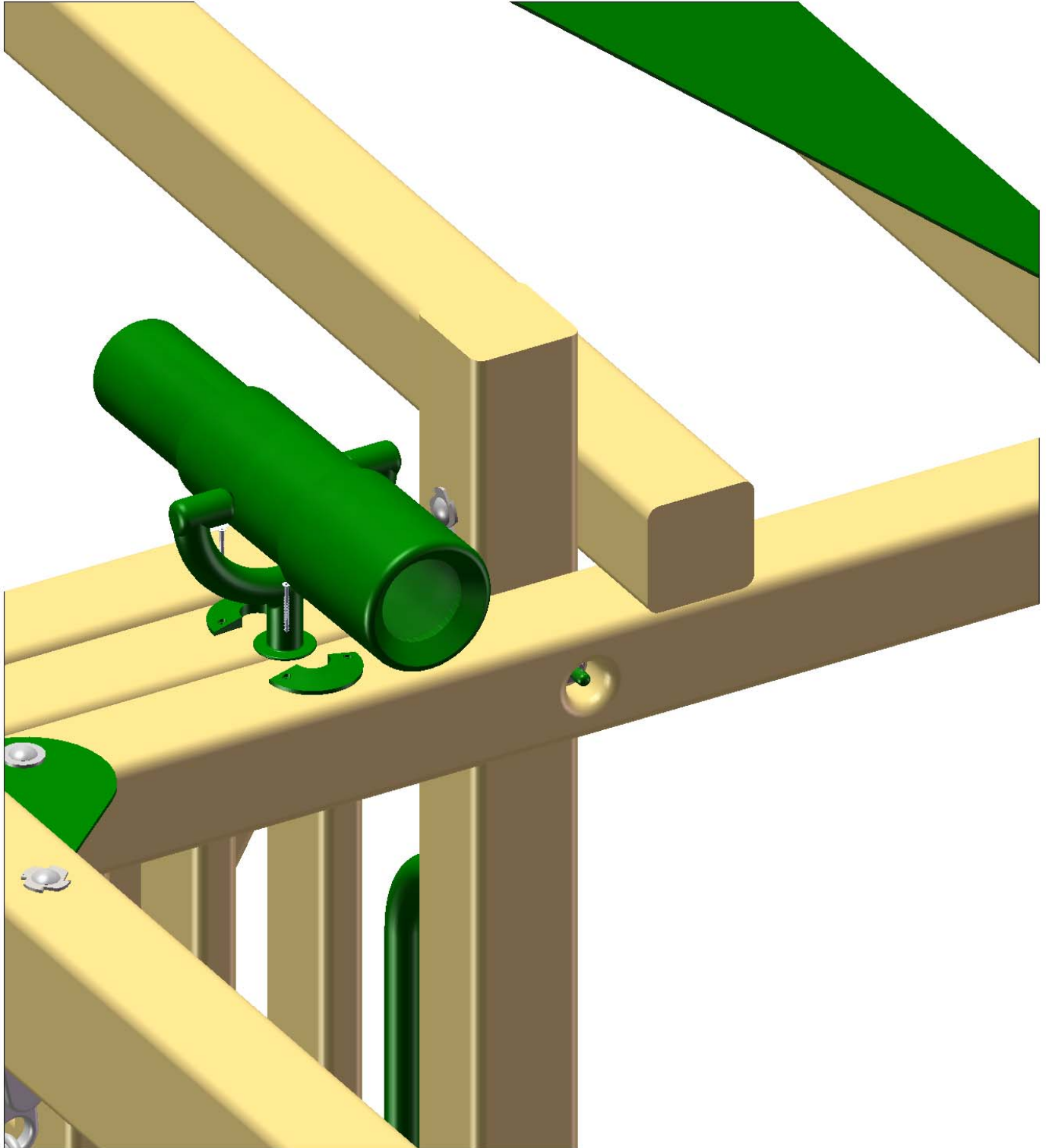


STEP 32: TELESCOPE

1: WITH THE 1-1/4" WOOD SCREWS PROVIDED IN THE TELESCOPE BAG, FASTEN ONE OF THE CIRCLE TELESCOPE BRACKETS ONTO THE SWING BEAM SIDE RAIL.

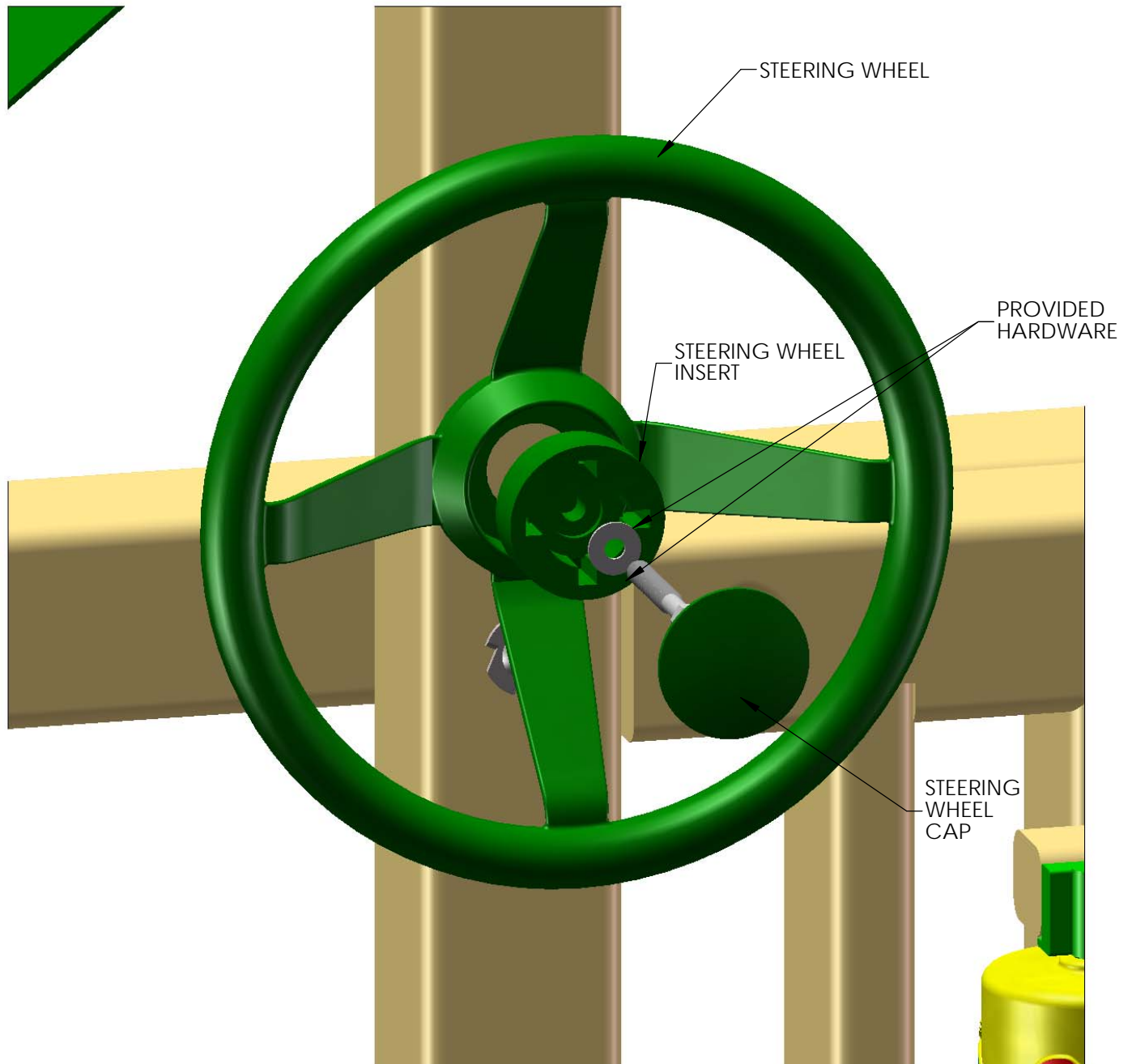
2: PLACE THE TELESCOPE STAND AND TELESCOPE INTO THE SLOT OF THE TELESCOPE BRACKET.

3: FASTEN THE REMAINING TELESCOPE BRACKET TO THE OPPOSITE SIDE THAT THE FIRST TELESCOPE BRACKET WAS INSTALLED ON WITH 1-1/4" WOOD SCREWS.



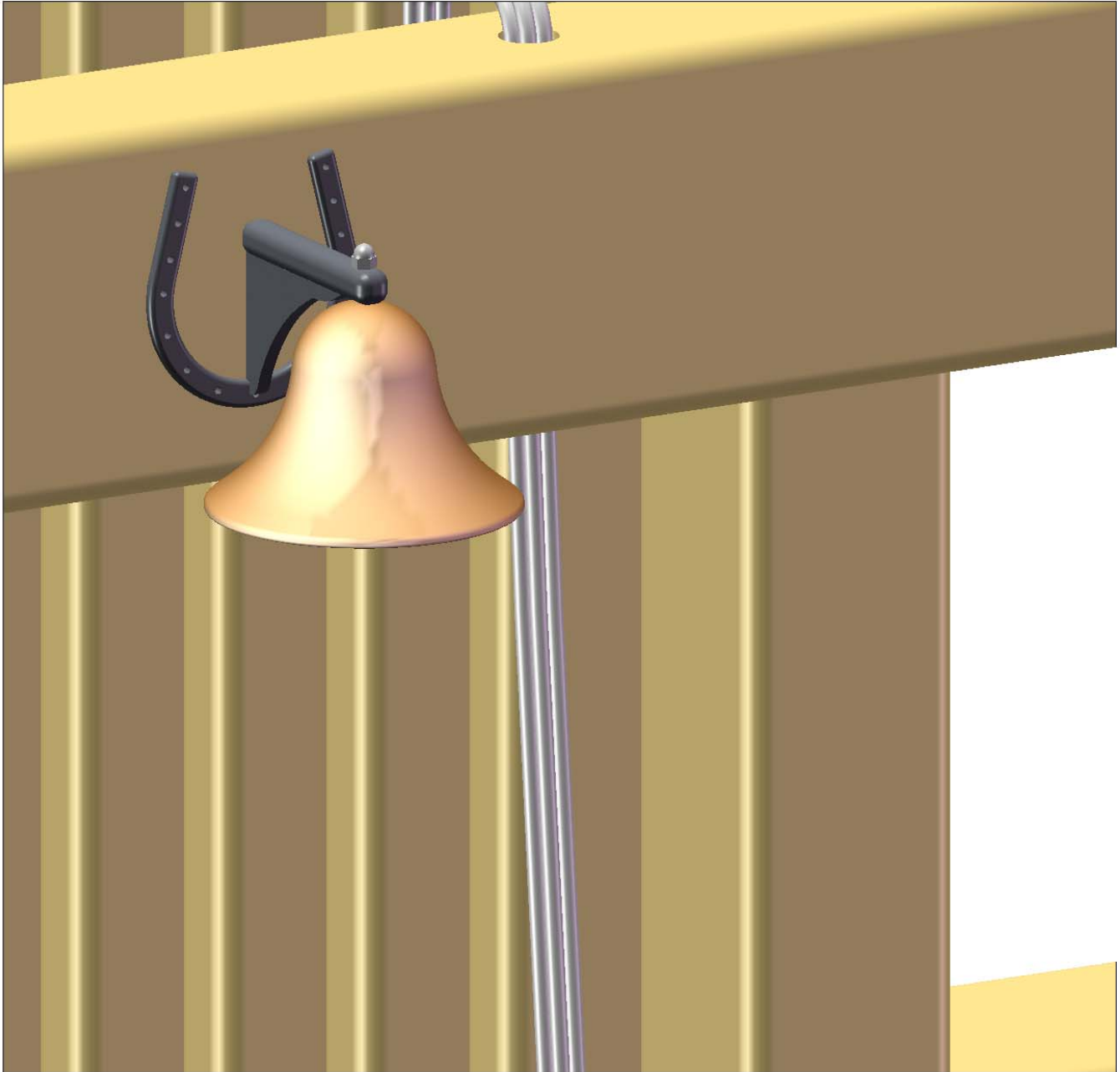
STEP 33: STEERING WHEEL

- 1: PLACE THE STEERING WHEEL INSERT INSIDE THE STEERING WHEEL.
- 2: USE THE HARDWARE INCLUDED WITH THE STEERING WHEEL TO MOUNT THE STEERING WHEEL TO THE FRONT CENTER UPRIGHT. DO NOT OVER-TIGHTEN THE LAG SCREW INTO THE STEERING WHEEL, OR IT WILL NOT TURN.
- 3: PLACE THE STEERING WHEEL CAP OVER THE CENTER OF THE STEERING WHEEL.



STEP 34: DINNER BELL

- 1: CENTER THE BASE OF THE DINNER BELL ON THE ROPE LADDER SUPPORT AND ATTACH WITH PROVIDED SCREWS.
- 2: ASSEMBLE THE BELL AND TIGHTEN TO THE BASE WITH THE PROVIDED NUT.



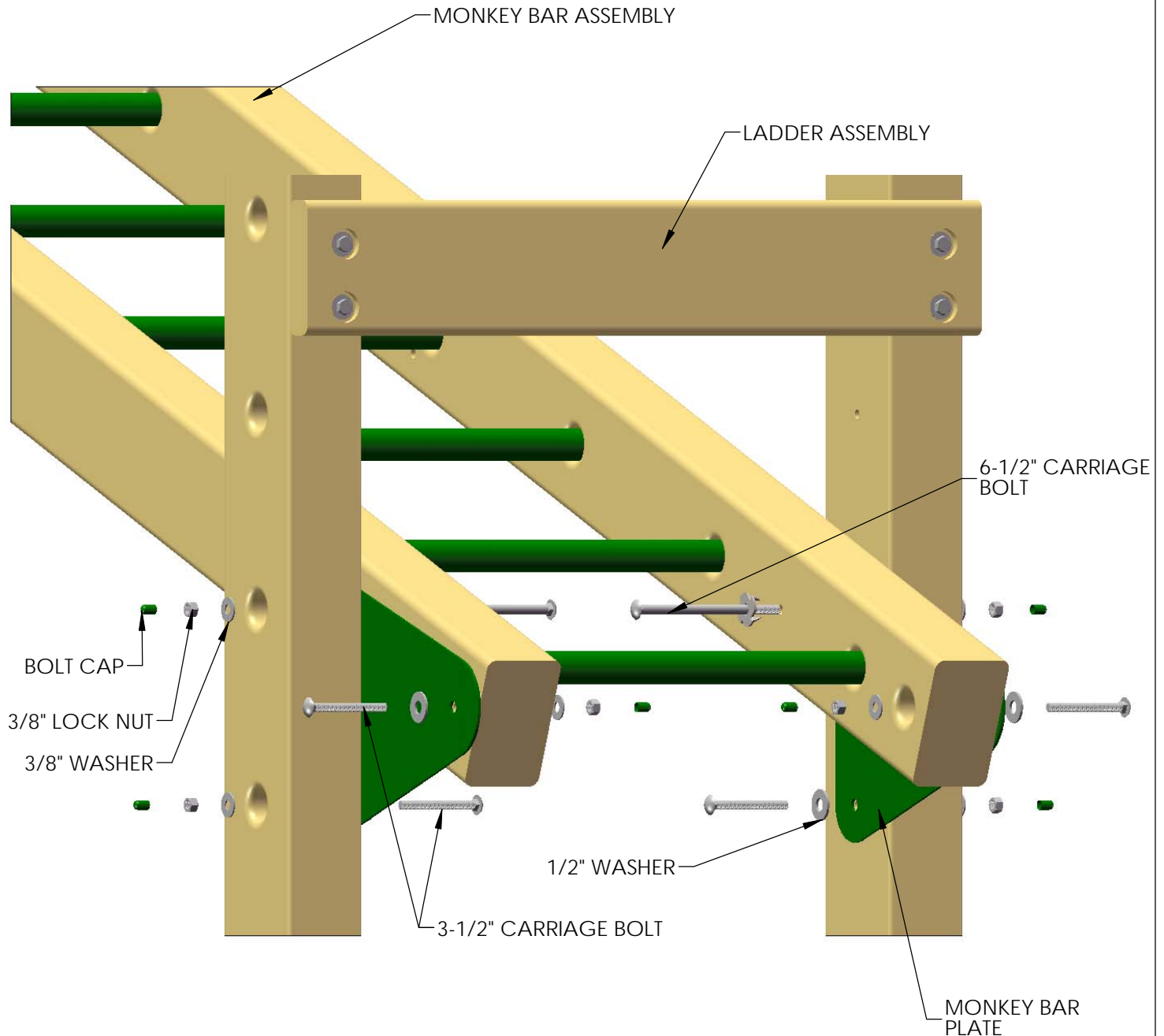
STEP 35: MONKEY BARS

1: PLACE THE MONKEY BAR ASSEMBLY IN THE LOWER HOLES OF THE LADDER ASSEMBLY.

2: POSITION THE MONKEY BAR PLATE BETWEEN THE MONKEY BAR ASSEMBLY AND THE LADDER ASSEMBLY AND LINE THE PLATE HOLES UP WITH THE TWO LOWER HOLES OF THE LADDER ASSEMBLY.

3: SEE BELOW FOR EXACT PLACEMENT OF THE 6-1/2", AND 3-1/2" CARRIAGE BOLTS. THE 6-1/2" CARRIAGE BOLT WILL BE PAIRED WITH A TORQUE WASHER, WHILE THE 3-1/2" CARRIAGE BOLTS WILL BE PAIRED WITH A 1/2" WASHER.

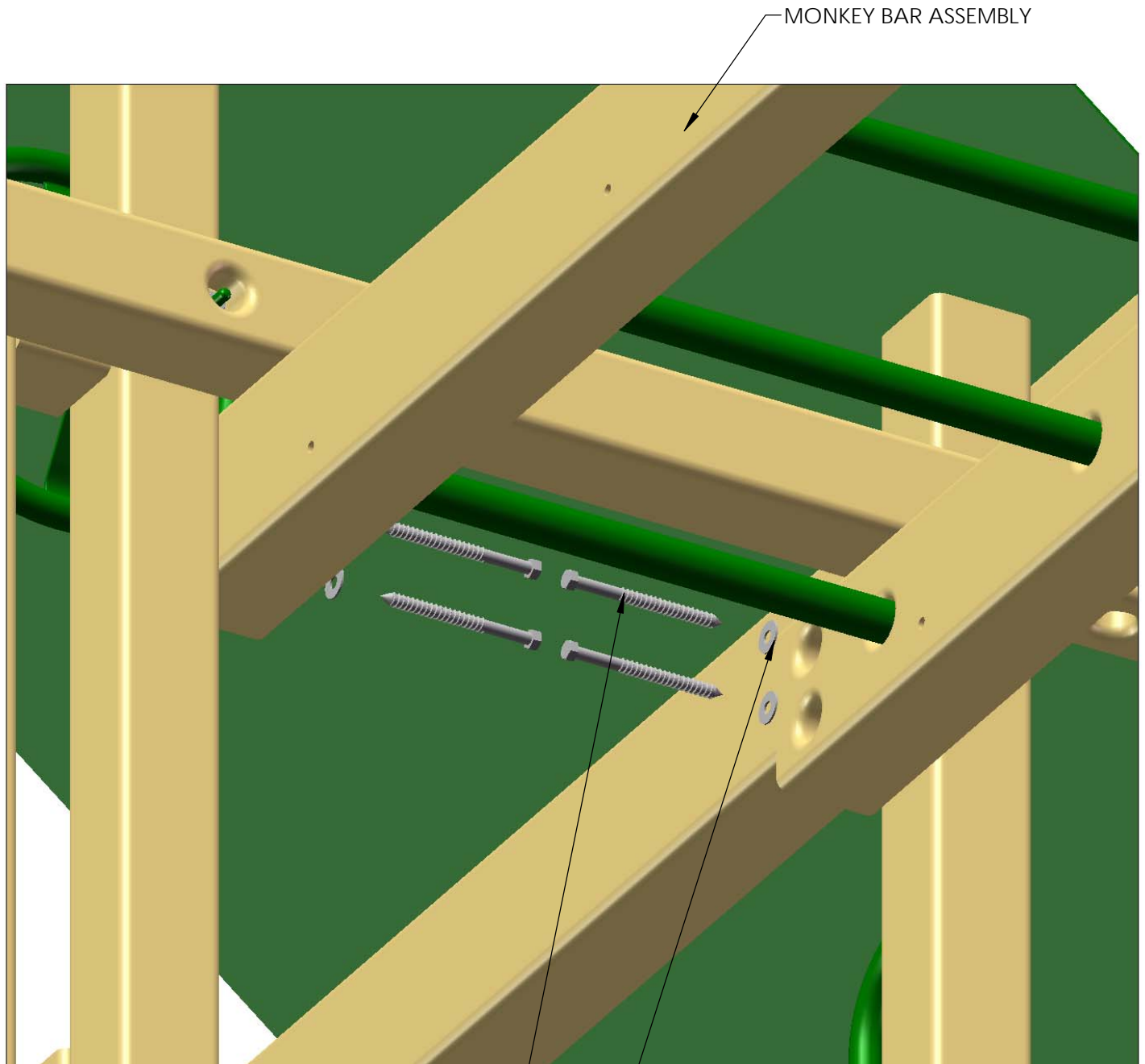
NOTE: THE FOUR HOLES IN THE LADDER ASSEMBLY ARE FOR VARIANCES IN GRADE IN YOUR YARD. IF YOUR YARD IS RELATIVELY LEVEL, USE THE BOTTOM HOLES FOR ASSEMBLY.



STEP 36: MONKEY BAR

1: TAKE THE MONKEY BAR ASSEMBLY CREATED IN THE PREVIOUS STEP AND MOVE IT TO THE OPENING ON THE OPPOSITE SIDE OF THE SWING BEAM. MAKE SURE THAT THE FACE OF THE RUNG ASSEMBLY IS FLUSH WITH THE CORNER AND CENTER UPRIGHTS.

2: LEVEL AND SQUARE THE ASSEMBLY IN THE OPENING, AND ATTACH IT WITH 3/8 X 5" LAG SCREWS WITH 3/8" WASHERS INTO THE COUNTER-SUNK HOLES.



MONKEY BAR ASSEMBLY

3/8 X 5"
LAG SCREW

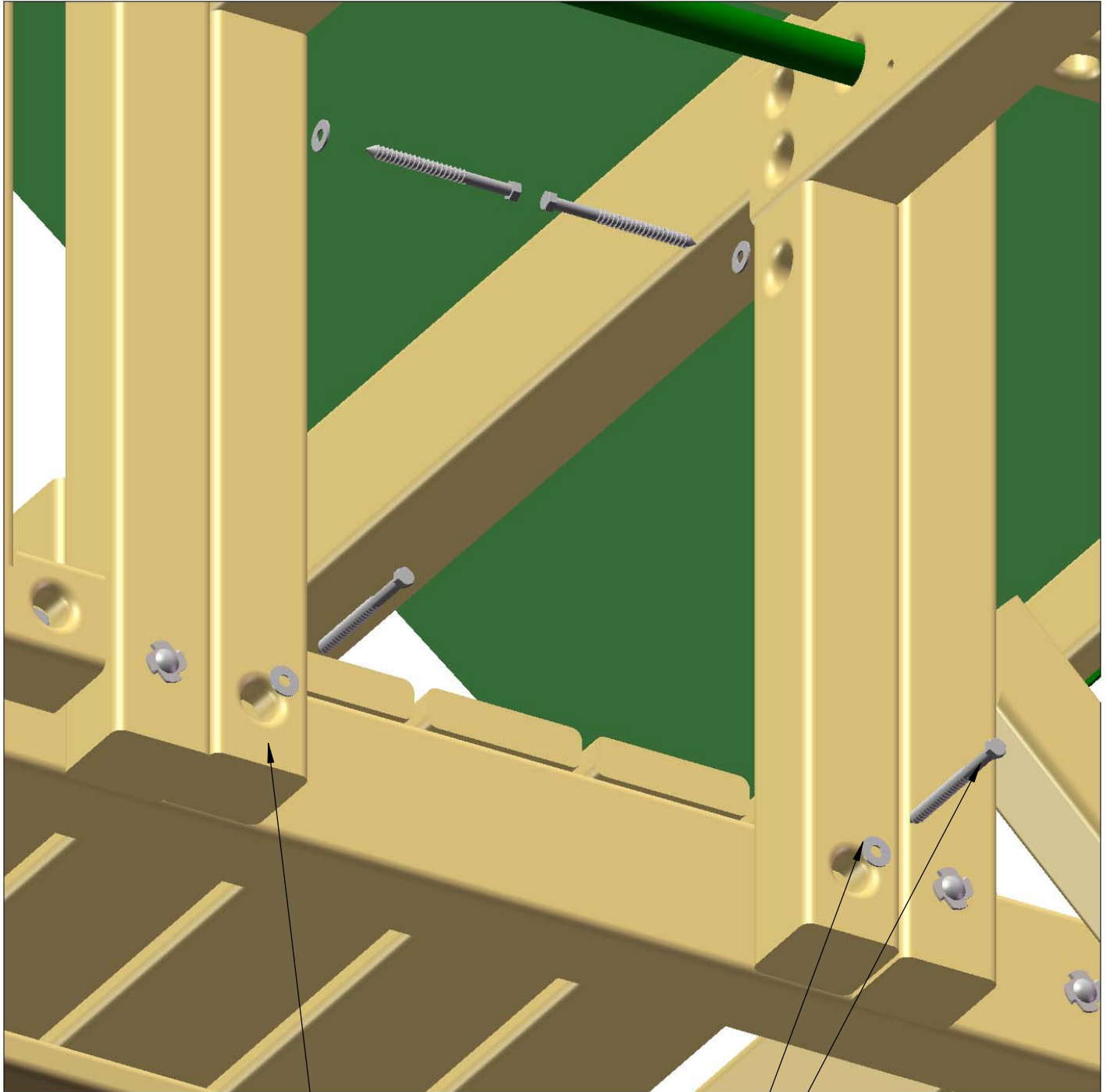
3/8" WASHER

STEP 37: MONKEY BAR SUPPORTS

1: FIND THE TWO 4 X 4 X 25-3/4" MONKEY BAR SUPPORTS. THERE WILL BE ONE FOR THE LEFT SIDE, AND ONE FOR THE RIGHT.

2: PLACE THE MONKEY BAR SUPPORTS ON THEIR APPROPRIATE SIDES, FLUSH TO THE BOTTOM OF THE MONKEY BAR ASSEMBLY, AND AGAINST THE CENTER AND CORNER UPRIGHTS.

3: ATTACH THE MONKEY BAR SUPPORTS TO THE CENTER AND CORNER UPRIGHTS WITH 3/8 X 5" LAG SCREWS, AND 3/8" WASHERS. THE BOTTOM HOLES WILL GET A 3/8 X 5" LAG SCREW WITH A 3/8" WASHER, INTO THE MAIN FLOOR BEAMS.



4 X 4 X 25-3/4"
MONKEY BAR SUPPORT

3/8" WASHER

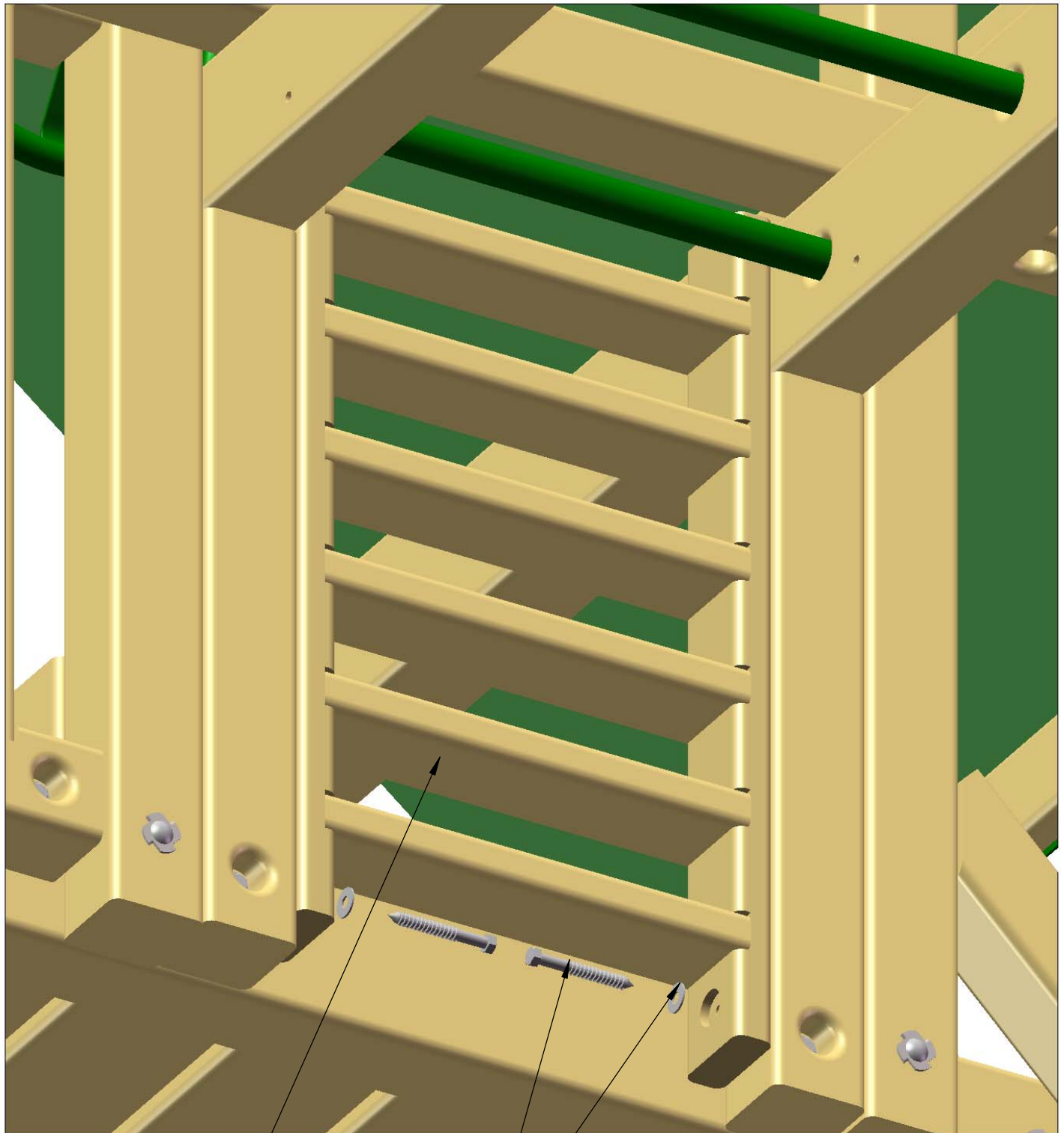
3/8 X 5"
LAG SCREW

STEP 38: CROW'S NEST ENTRY PANEL

1: FIND THE CROW'S NEST ENTRY PANEL. THE ENTRY PANEL WILL MOUNT TO THE UNIT WITH THE COUNTER-SUNK HOLES TOWARDS THE BOTTOM, WITH THE TOP OF THE PANEL FLUSH TO THE TOP OF THE MONKEY BAR ASSEMBLY.

2: ATTACH THE ENTRY PANEL WITH 3/8 X 3-1/2" LAG SCREWS AND 3/8" WASHERS.

3: AT THE TOP OF THE PANEL, ATTACH THE PANEL TO THE MONKEY BAR ASSEMBLY WITH TWO 2-1/2" WOOD SCREWS IN EACH SIDE.



CROW'S NEST
ENTRY PANEL

3/8 X 3-1/2"
LAG SCREW

3/8" WASHER

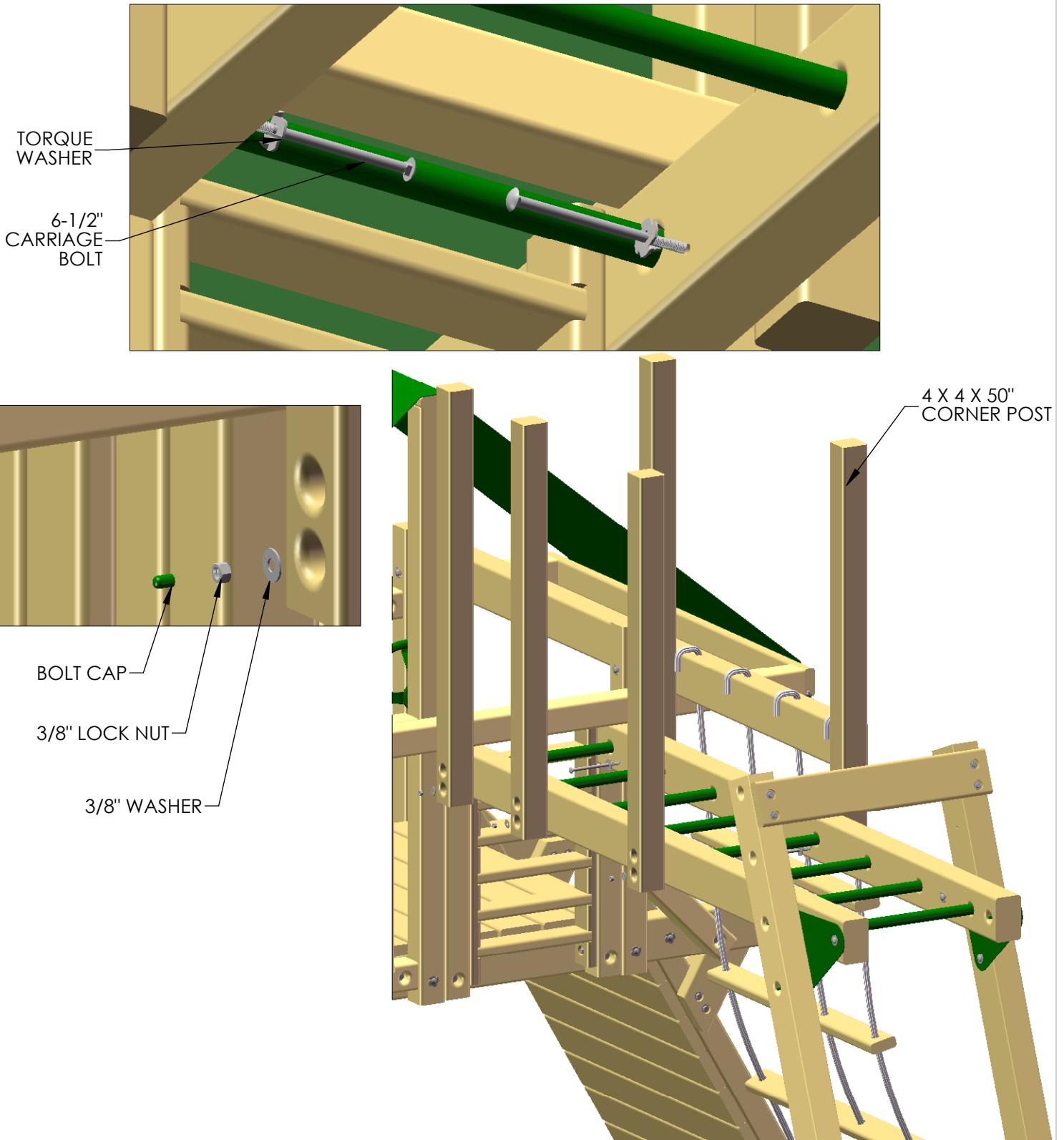
STEP 39: CROW'S NEST CORNER POSTS

1: FIND FIVE 4 X 4 X 50" CORNER POSTS. THE ORIENTATION OF THE POSTS ARE IMPORTANT IN THIS STEP. THE SIDE THAT GETS THREE CORNER POSTS WILL BE ON THE OPPOSITE SIDE OF THE ROPE LADDER.

2: THE CORNER POSTS WILL ATTACH IN THE PRE-DRILLED HOLES WITH THE BOTTOM COUNTER-SUNK HOLE OF THE CORNER POSTS LINING UP WITH THE HOLES IN THE MONKEY BAR ASSEMBLY.

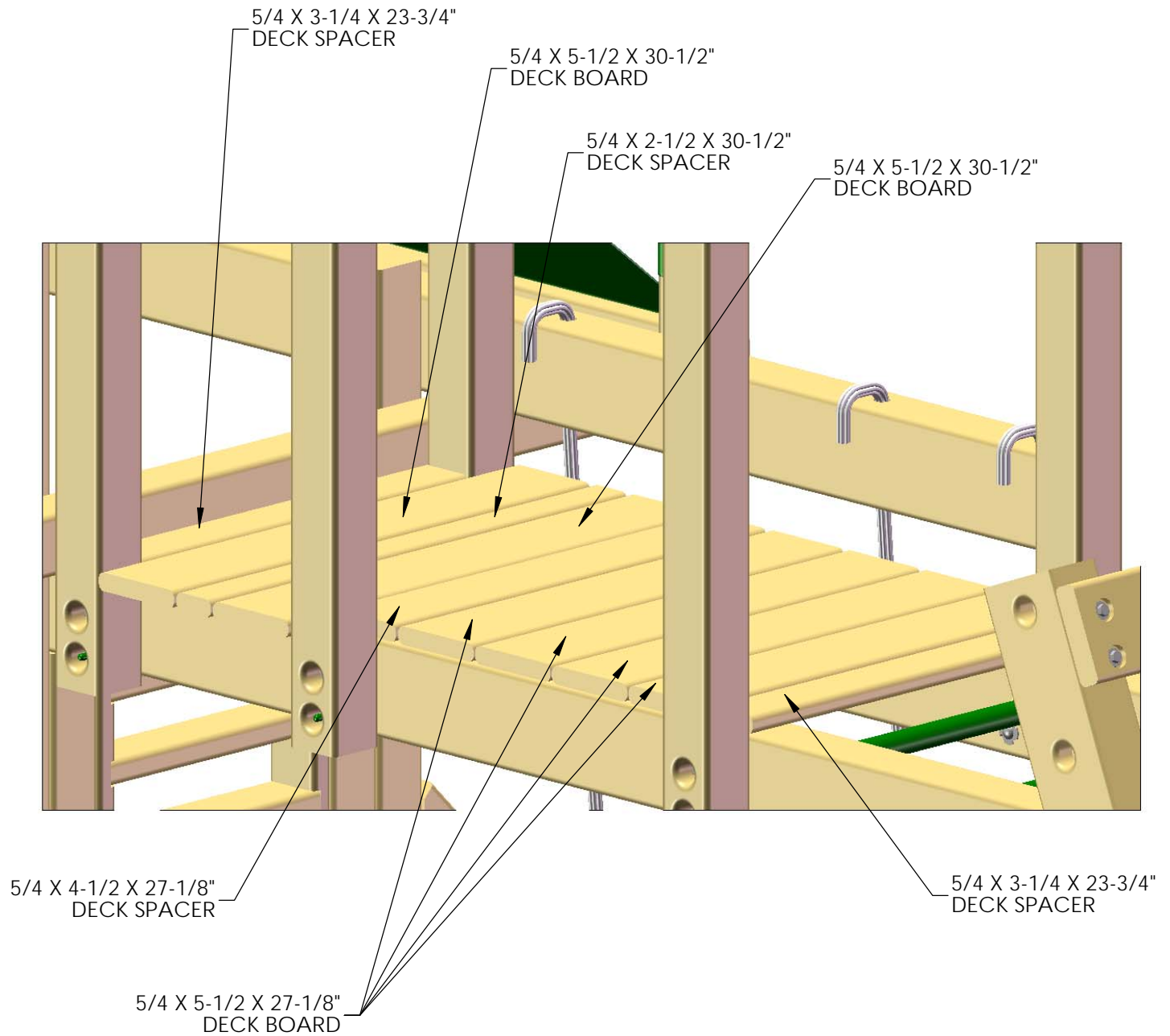
3: ATTACH THE CORNER POSTS WITH A 6-1/2" CARRIAGE BOLT WITH A TORQUE WASHER FROM THE INSIDE OF THE MONKEY BARS, AND 3/8" LOCK NUTS WITH 3/8" WASHERS FROM THE OUTSIDE. PLACE GREEN BOLT CAPS OVER ANY EXPOSED THREADS.

4: DO NOT USE ANY HARDWARE IN THE TOP HOLES OF THE CORNER POSTS AT THIS TIME, THEY WILL BE USED LATER.



STEP 40: CROW'S NEST DECK

- 1: FIND TWO 5/4 X 5-1/2 X 30-1/2" DECK BOARDS, ONE 5/4 X 2-1/2 X 30-1/2" DECK SPACER, TWO 5/4 X 3-1/4 X 23-3/4" DECK SPACERS, FOUR 5/4 X 5-1/2 X 27-1/8" DECK BOARDS, AND ONE 5/4 X 4-1/2 X 27-1/8" DECK SPACER.
- 2: THE DECK BOARDS WILL FASTEN TO THE MONKEY BAR ASSEMBLY WITH TWO 2" WOOD SCREWS PER SIDE.
- 3: SEE THE PICTURE BELOW FOR LOCATIONS.
- 4: LAY OUT ALL DECK BOARDS BEFORE ATTACHING TO THE MONKEY BARS.

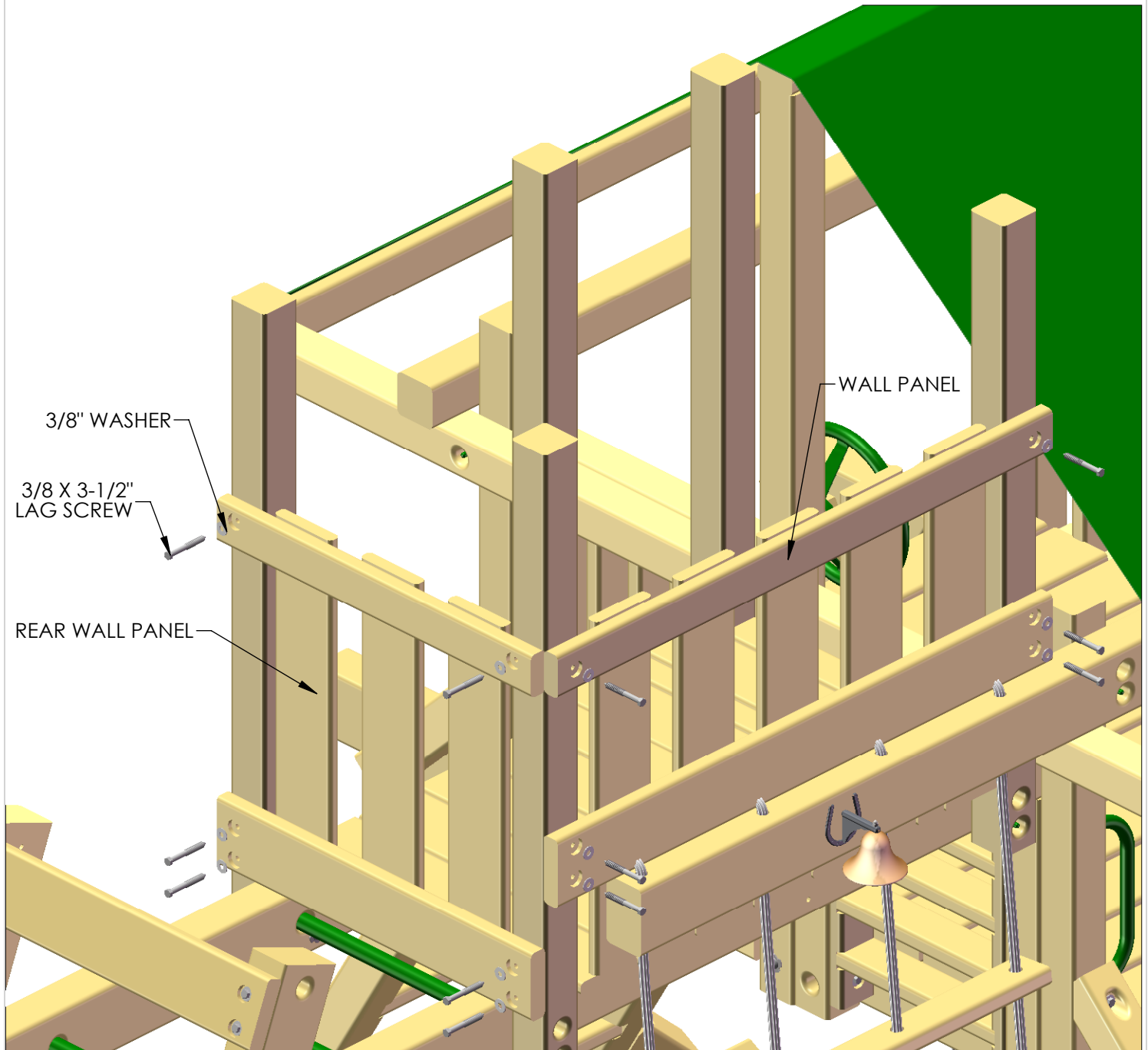


STEP 41: CROW'S NEST PANELS

1: FIND THE TWO PANEL ASSEMBLIES. THERE IS ONE LONG PANEL, AND ONE SHORT PANEL.

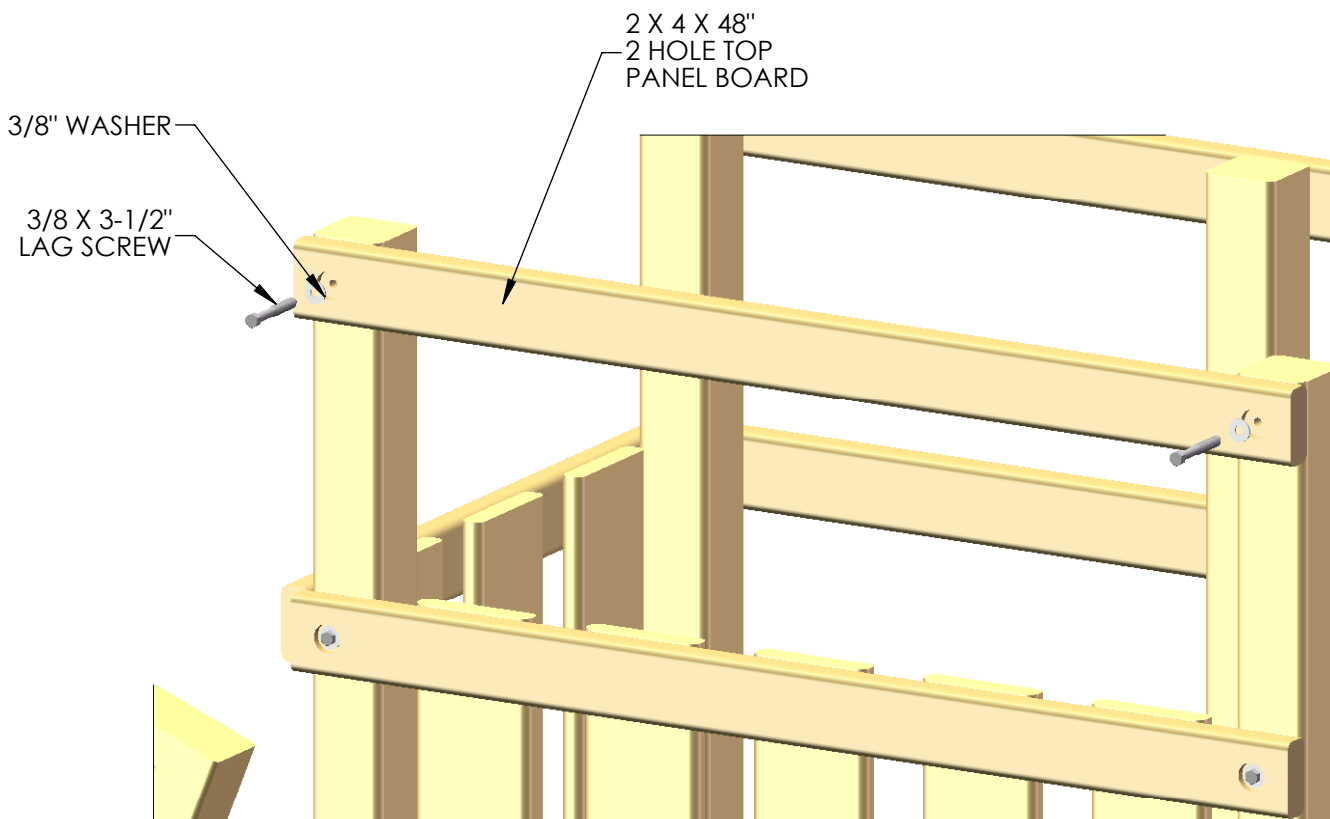
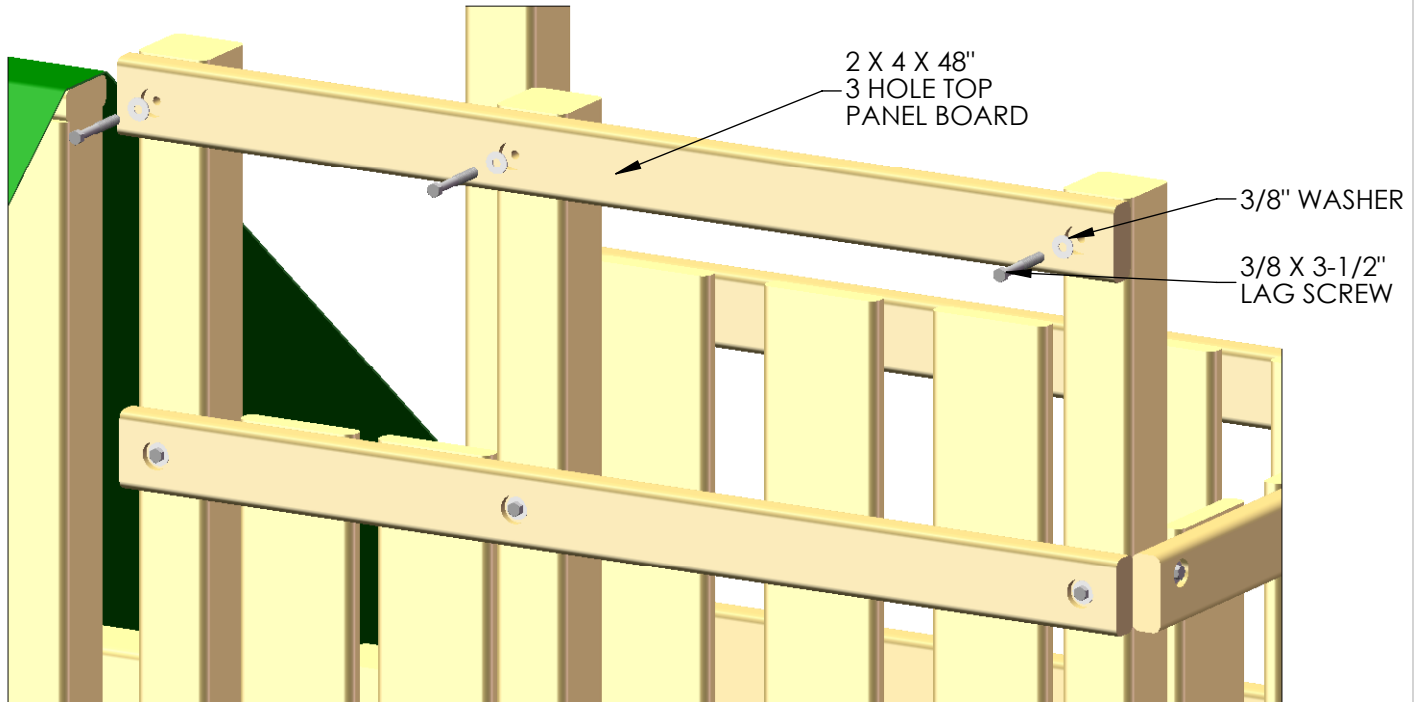
2: THE WALL PANEL WILL MOUNT BETWEEN THE TWO CORNER POSTS NEXT TO THE ROPE LADDER. THE BOTTOM OF THE PANEL SLATS WILL REST ON THE DECK BOARDS. ATTACH THE WALL PANEL WITH 3/8 X 3-1/2" LAG SCREWS WITH 3/8" WASHERS.

3: THE REAR WALL PANEL WILL MOUNT BETWEEN THE TWO CORNER POSTS AT THE END OF THE DECK. THE BOTTOM OF THE PANEL SLATS WILL REST ON THE DECK BOARDS. ATTACH THE REAR WALL PANEL WITH 3/8 X 3-1/2" LAG SCREWS AND 3/8" WASHERS.



STEP 43: CROW'S NEST TOP PANEL BOARD

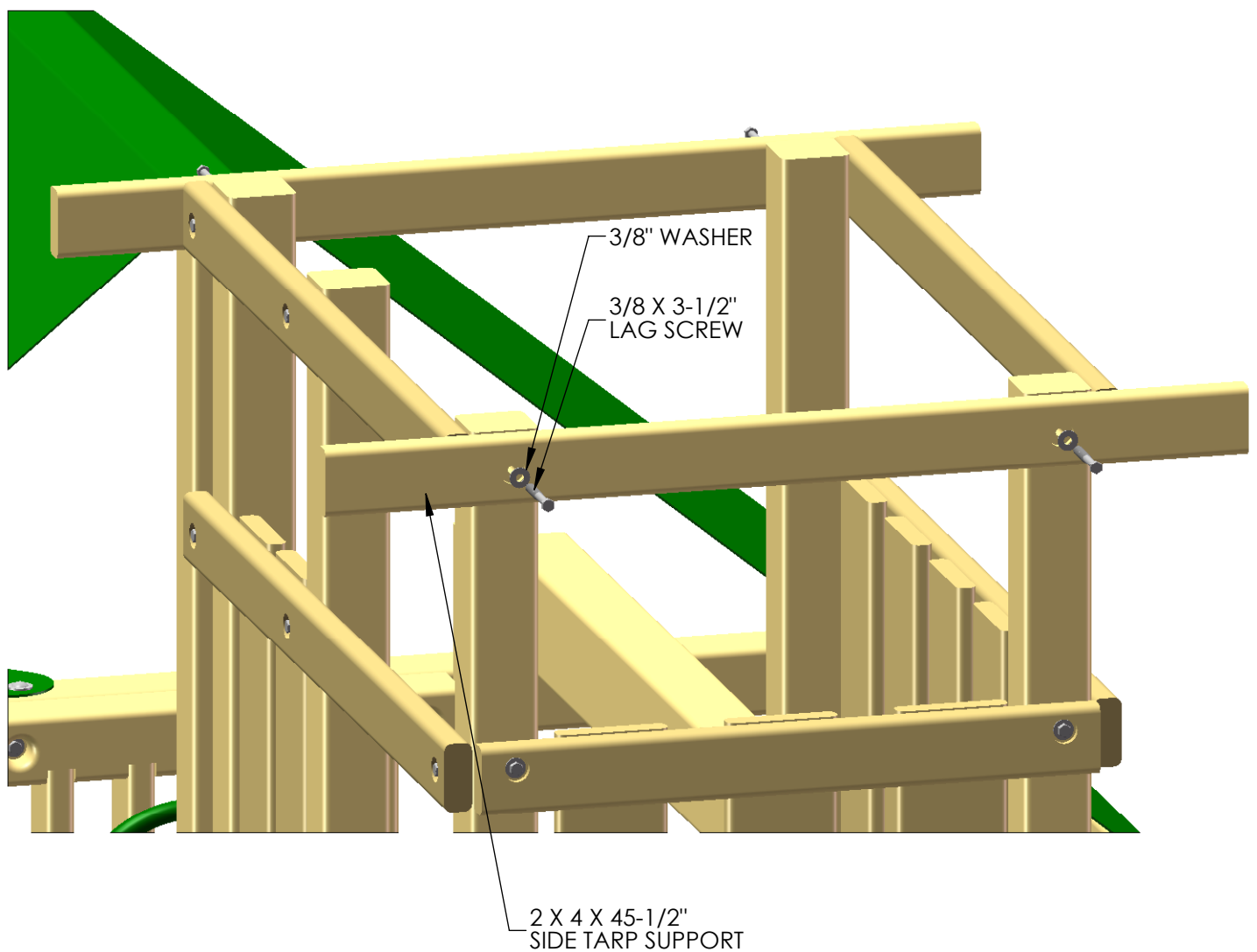
- 1: FIND THE 2 X 4 X 48" 3 HOLE TOP PANEL BOARD. THE 3 HOLE TOP PANEL BOARD WILL MOUNT ACROSS THE THREE CORNER POSTS, FLUSH TO THE TOP OF THE CORNER POSTS.
- 2: ATTACH THE 3 HOLE TOP PANEL BOARD TO THE CORNER POSTS WITH 3/8 X 3-1/2" LAG SCREWS AND 3/8" WASHERS.
- 3: FIND THE 2 X 4 X 48" 2 HOLE TOP PANEL BOARD. THE 2 HOLE TOP PANEL BOARD WILL MOUNT ACROSS THE TWO CORNER POSTS, FLUSH TO THE TOP OF THE CORNER POSTS.
- 4: ATTACH THE 2 HOLE TOP PANEL BOARD TO THE CORNER POSTS WITH 3/8 X 3-1/2" LAG SCREWS AND 3/8" WASHERS.



STEP 44: CROW'S NEST SIDE TARP SUPPORT

1: FIND THE TWO 2 X 4 X 45-1/2" SIDE TARP SUPPORTS. PLACE THE SIDE TARP SUPPORTS ON THE CORNER POSTS AT EACH END OF THE CROW'S NEST; FLUSH TO THE TOP OF THE CORNER POSTS; WITH THE HOLES CENTERED ON THE CORNER POSTS.

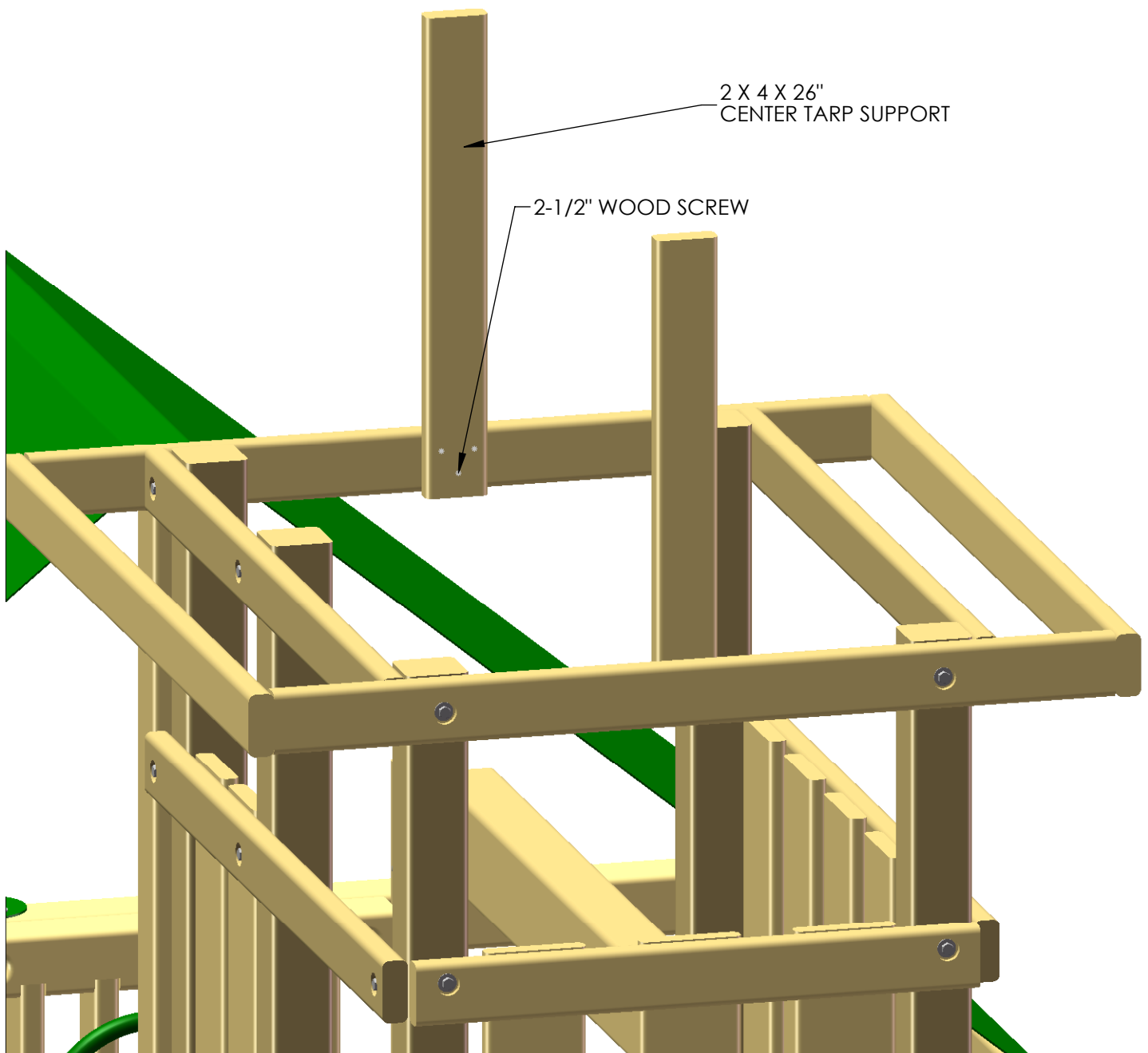
2: ATTACH THE SIDE TARP SUPPORTS TO THE CORNER POSTS WITH 3/8 X 3-1/2" LAG SCREWS AND 3/8" WASHERS.



STEP 46: CROW'S NEST CENTER TARP SUPPORT

1: FIND THE TWO 2 X 4 X 26" CENTER TARP SUPPORTS. THE CENTER TARP SUPPORTS WILL MOUNT IN THE CENTER OF THE SIDE TARP SUPPORTS; FLUSH TO THE BOTTOM OF THE SIDE TARP SUPPORTS.

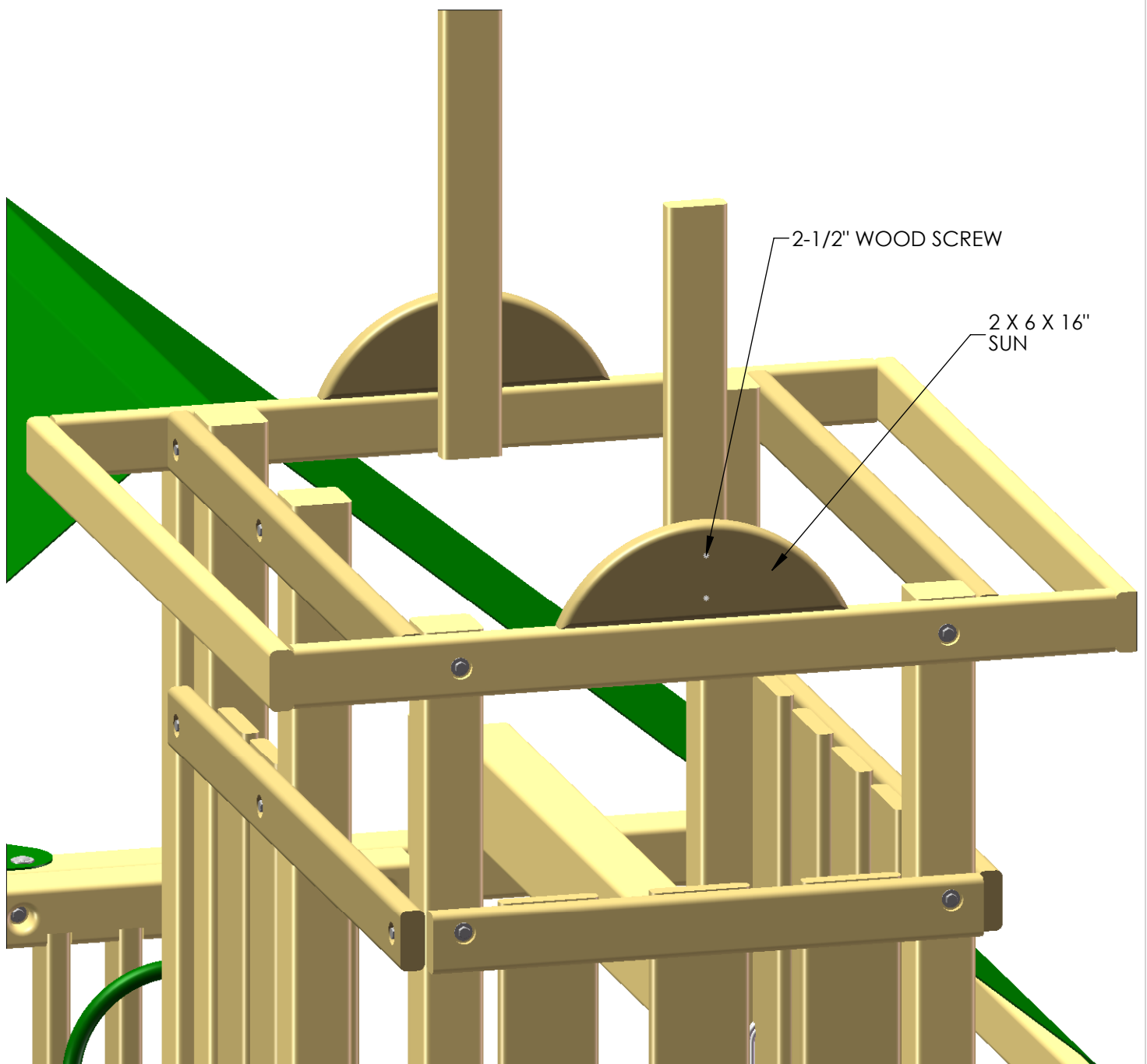
2: ATTACH THE CENTER TARP SUPPORTS TO THE SIDE TARP SUPPORTS WITH THREE 2-1/2" WOOD SCREWS IN EACH BOARD.



STEP 47: CROW'S NEST SUN

1: FIND THE TWO 2 X 6 X 16" SUNS. THE SUNS WILL MOUNT IN THE CENTER OF THE CENTER TARP SUPPORTS; RESTING ON TOP OF THE SIDE TARP SUPPORTS.

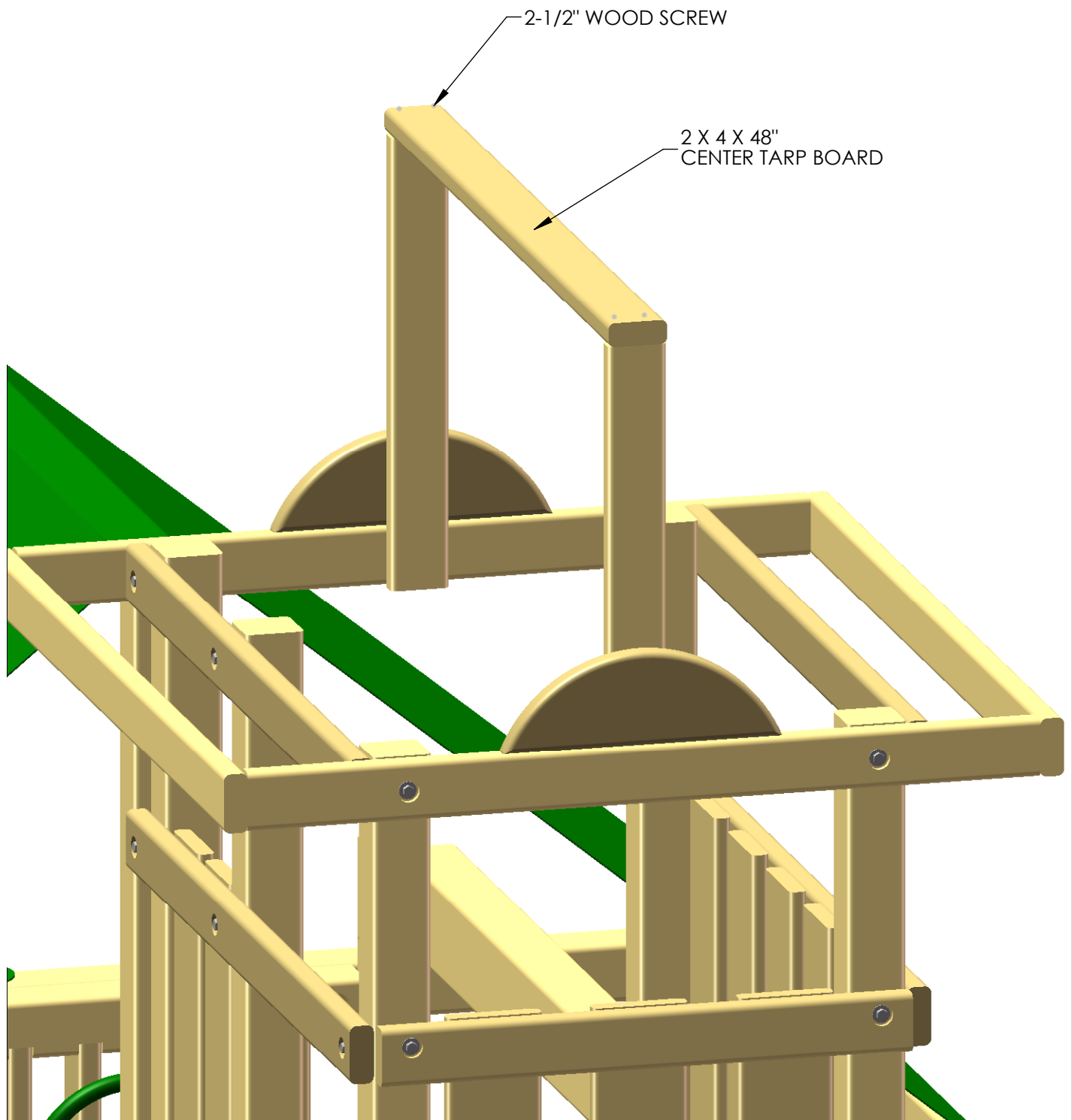
2: ATTACH THE SUNS TO THE CENTER TARP SUPPORTS WITH TWO 2-1/2" WOOD SCREWS IN EACH BOARD.



STEP 48: CROW'S NEST CENTER TARP BOARD

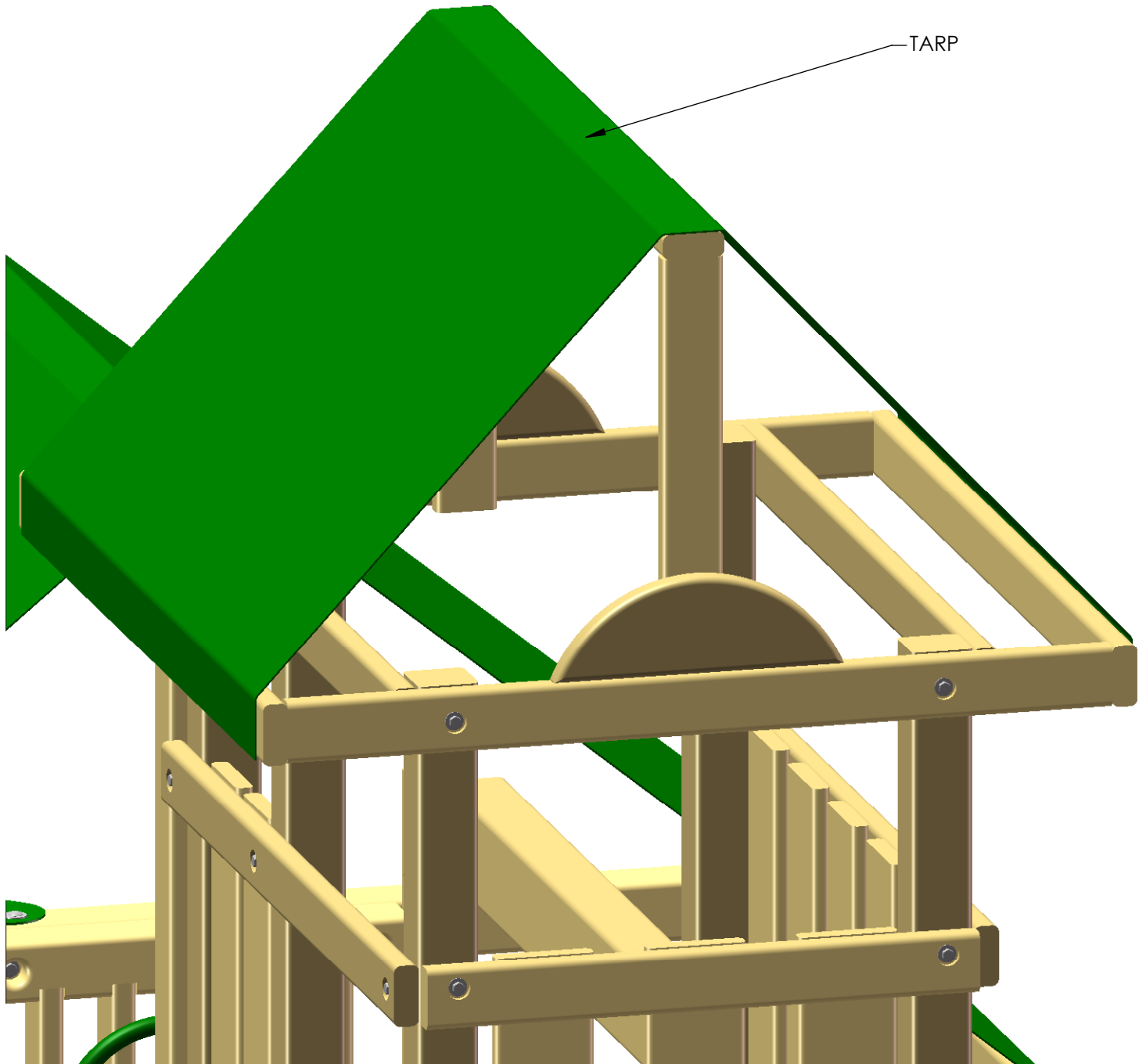
1: FIND THE 2 X 4 X 48" CENTER TARP BOARD. THE CENTER TARP BOARD WILL MOUNT ON TOP OF THE CENTER TARP SUPPORTS.

2: ATTACH THE CENTER TARP BOARD TO THE CENTER TARP SUPPORTS WITH TWO 2-1/2" WOOD SCREWS PER SIDE.



STEP 49: CROW'S NEST TARP

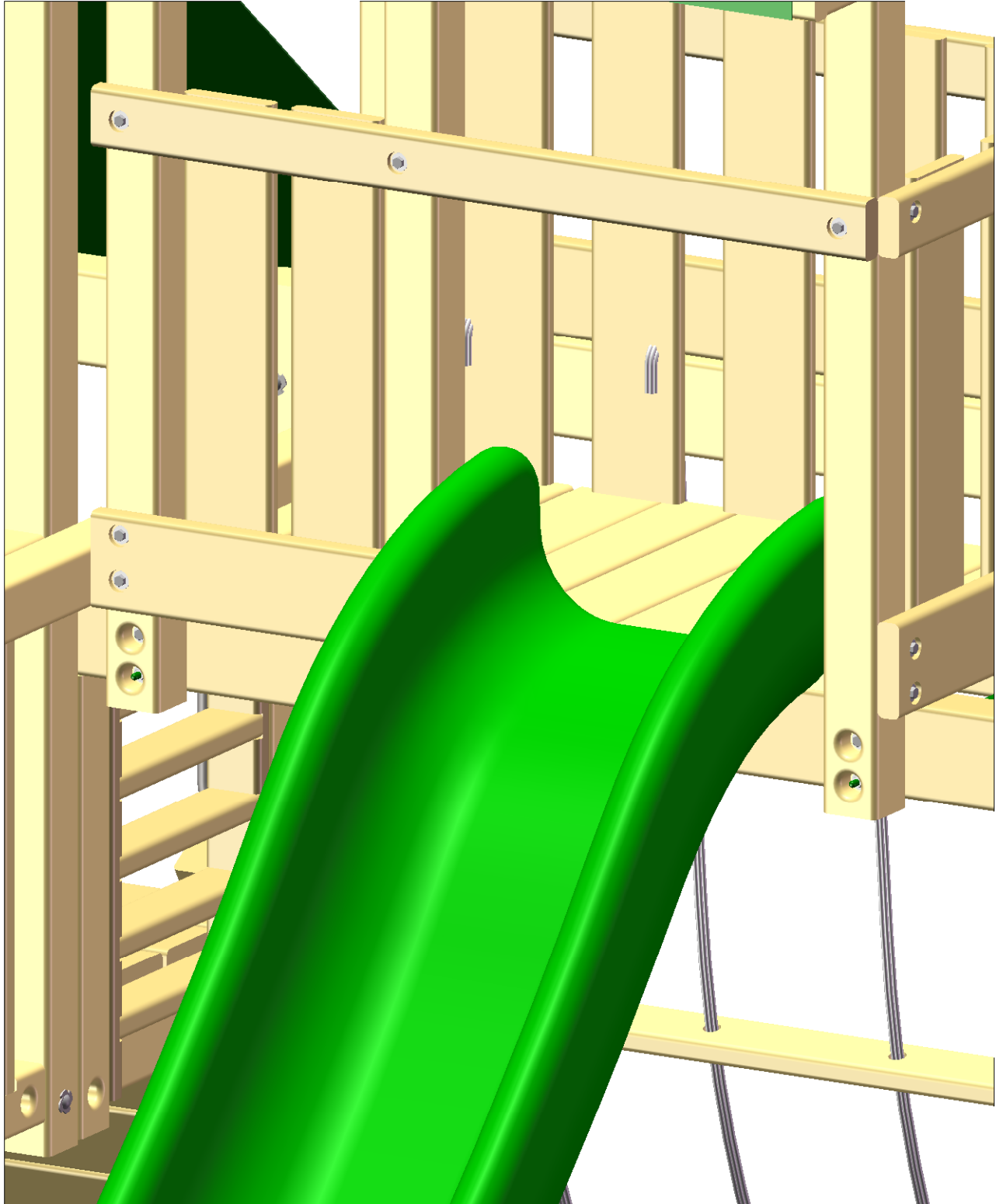
- 1: LAY THE TARP ACROSS THE CENTER TARP BOARD AND THE SIDE TARP BOARDS.
- 2: CENTER THE TARP ACROSS THE BOARDS, AND MARK THE LOCATION OF THE TARP SNAPS WITH A PENCIL.
- 3: PLACE A SNAP SCREW IN THE FRONT LEFT SIDE TARP BOARD IN THE MARK THAT WAS MADE. SNAP THE TARP INTO PLACE IN THIS LOCATION. MOVE TO THE RIGHT SIDE OF THE FORT, AND PLACE A SNAP SCREW IN THE RIGHT FRONT SIDE TARP BOARD IN THE MARK MADE.
- 4: CONTINUE INSTALLING THE TARP SNAPS IN THE SAME FASHION AS THE PREVIOUS STEP, WORKING DOWN THE TARP AND KEEPING IT TIGHT AT ALL TIMES.



STEP 50: CROW'S NEST SLIDE

1: LOOK ON THE BOTTOM OF THE SLIDE, YOU WILL NOTICE THAT ONE END HAS A SMALL NOTCH. REST THIS ON THE DECK AND PUSH THE SLIDE AS FAR BACK ON THE DECK AS THE NOTCH WILL ALLOW.

2: PLACE THE SLIDE IN THE OPENING BETWEEN THE CORNER AND CENTER POSTS AND ATTACH WITH 1-1/4" PAN HEAD SCREWS.



WARRANTY REGISTRATION CARD - Kingdom Deluxe

Name: _____

Address: _____

City, State, Zip: _____

Email: _____

Date of Purchase: _____

Place of Purchase: _____

City, State, Zip: _____

Please, check the boxes below.

Your age?

- 18-25 26-30 31-35 36-40 41-45 46-50 51-55 56-60
 61-65 66+

How old are your children?

- 2-3 4-5 6-7 8+

How would you rate the quality of our product?

- Excellent Above average Average Below average Poor

Would you recommend this product?

- Yes No

Comments:

Thank you for registering with Playnation Play Systems Inc.™ The information you provided will be kept confidential and will ONLY be used to better serve our customers. Remove this page from the manual and mail to the address below. Thank you from everyone here at Playnation™!

Mail to:

Playnation Play Systems Inc,
190 Etowah Industrial Court
Canton, GA 30114
or fax: (678) 880-3329

