

Colossal Kingdom Deluxe

Copyright © 2014 PlayNation Play Systems, Inc.
All Rights Reserved

190 Etowah Industrial Court
Canton, GA 30114

www.playnation.com

Latest Revision: 12/19/2014



Please inspect and inventory all parts immediately upon accepting delivery. Use the inventory pages in the manual to make sure you have received all necessary parts. The quickest method to get any parts that are missing or damaged is use our “Quick Response Center” located at:

www.playnation.com/support

DO NOT RETURN THIS PRODUCT TO THE RETAILER OR CONTACT THE RETAILER DIRECTLY. THE RETAILER DOES NOT STOCK COMPONENTS.

PLEASE RETAIN ALL INSTRUCTIONS FOR FUTURE REFERENCE. KEEP THEM IN A SAFE PLACE WHERE YOU CAN REFER TO THEM AS NEEDED. CHECK FOR REVISED INSTRUCTIONS AT:

<http://www.playnation.com/manuals.html>

PLAYNATION WARRANTY

MANUFACTURER'S LIMITED LIFETIME WARRANTY

PlayNation Play Systems, Inc. warrants its Lifetime™ series of swing sets to be free from defects in workmanship and materials, under normal use and conditions, for the lifetime of the product for above ground structural wood components and for two years for all other components (e.g., swings, hardware, plastics, tarps, rope ladder, etc.) except PlayNation's Super Scoop Slides™ and Super Tube Spiral Slides™.

PlayNation warrants its Super Scoop Slides™ and Super Tube Spiral Slides™ to be free from defects in workmanship and materials, under normal use and conditions, for the lifetime of the product.

PlayNation warrants its Regal™, Imperial™, and Empire™ series swing sets to be free from defects in workmanship and materials, under normal use and conditions, for a period of 15 years for above ground structural wood components and for two years for all other components (e.g., swings, hardware, plastics, tarps, rope ladder, etc.).

PlayNation warrants all remaining products, including but not limited to its Free Standing Swing Set, Free Standing Tire Swing, See-Saw, Children's Picnic Table with Umbrella, Play-Zee-Bo™ and spring riders to be free from defects in workmanship and materials, under normal use and conditions, for a period of 1 year. All accessories purchased separate from those included with one of our swing set packages have a one year limited warranty. The Crazy Clubhouse is warranted for a period of 6 months.

Cosmetic imperfections and natural tendencies of wood such as peeling, splintering, warping, seasonal checking or cracking, knots or knot holes, etc. are normal characteristics of all outdoor wooden play equipment and are not covered by this warranty. Checks or cracks in wood components that do not affect the intended function of the part, piece or overall swing set are not covered under this warranty.

Wood rot or decay that develops because the product was installed in an area with poor drainage is not covered under this warranty. Lumber that has been damaged by wood boring bees, or conditions that develop as a result of faulty or improper installation of the product, are not covered by this warranty. Fading of stain, discoloration or mold on any wood part or accessory is not covered by this warranty. Cracks in plastic components, surface rust on hardware and chips on powder coated materials are not considered defects in material as long as they do not affect the functionality or structural integrity of the part or component.

It is the owner's responsibility to maintain the swing set. This includes but is not limited to staining and sealing the lumber as needed and regular inspection to be sure all hardware is tight. Instructions for proper maintenance can be found on PlayNation's website. Imperfections or conditions that develop because of a failure to properly maintain the swing set are not covered by this warranty.

PlayNation will, at its discretion, replace any above ground part within the stated warranty period that is defective in workmanship or materials. This decision is subject to verification of the defect, which, at PlayNation's discretion, may be accomplished by submitting photographs or by delivery of the defective part to PlayNation. Any warranty claim must include proof of purchase, including the date of purchase.

PLAYNATION WARRANTY

In addition, within the first 30 days from the date of purchase, PlayNation will replace any parts discovered to be missing from or damaged in the original packaging.

This warranty is valid only if the product is used for the purpose for which it was designed and installed at a residential, single-family dwelling. This warranty is void if the product is used in a commercial, institutional or multi-family setting. This warranty does not cover normal wear and tear or (a) products that have been damaged by acts of God and/or nature, negligence, misuse or accident; (b) products that have been modified or repaired by unauthorized persons; (c) the cost of labor; or (d) the cost of shipping any replacement product or part.

PLAYNATION DISCLAIMS ALL OTHER REPRESENTATIONS AND WARRANTIES OF ANY KIND, EXPRESSED, IMPLIED, STATUTORY OR OTHERWISE, INCLUDING THE IMPLIED WARRANTIES OF MERCHANTABILITY AND FITNESS FOR A PARTICULAR PURPOSE. PLAYNATION WILL NOT BE LIABLE FOR ANY INCIDENTAL OR CONSEQUENTIAL DAMAGES. This warranty is non-transferable and does not extend to the owners of the product subsequent to the original purchaser. Some states do not allow limitations on implied warranties or exclusion of incidental or consequential damages, so these restrictions may not be applicable to you. This warranty gives you specific legal rights. You may also have other rights which vary from state to state.

IMPORTANT SAFETY GUIDELINES

This product is recommended for use by children ages 3-11. This product is intended for residential use only and not intended for use in any public setting. A safety surface such as mulch or recycled tire should be used under the play set to prevent injury from falls. Also a 6 foot safety zone should be used around the entire play set.

As with any home project, good judgment and respect for power tools will greatly reduce the risk of injury. PlayNation recommends you follow all tool manufacturers' safety guidelines. Always wear eye protection and safety gloves to prevent injury. In several phases of construction two people may be required for lifting and securing of lumber. While the play set is being constructed, please keep children off the equipment until the project is complete. Bolts and screw heads should be checked regularly for tightness. The ground ladder, rope ladder, slide, swings and other areas where children spend a majority of their playtime should be checked more frequently.

PlayNation shall not be liable for incidental, indirect or consequential damages or injuries that result from the building and/or playing on our play sets. Adult supervision is recommended anytime a play set is being used.

WEIGHT LIMITS FOR PLAYNATION PLAYSETS

- FORT PLATFORMS: 800 LBS. TOTAL WEIGHT
- SWING BELT: 225 LBS.
- GLIDER SWINGS: 70 LBS. PER CHILD. UP TO 140 LBS TOTAL WEIGHT.
- TRAPEZE: 125 LBS.
- FULL BUCKET SWING/ HALF BUCKET SWING: 50 LBS.
- HEAVY DUTY TODDLER BUCKET SWING: 85 LBS.
- INFANT SWING: 35 LBS.
- TIRE SWING: 125 LBS. TOTAL WEIGHT
- ROPE LADDER: 75 LBS.
- ROCK WALL: 150 LBS.
- CLIMBING RAMP: 150 LBS.
- MONKEY BARS: 175 LBS.
- ALL SLIDES: 150 LBS.

PlayNation recommends that the weight limits for all components must not be exceeded. Failure to adhere to these and other safety guidelines could result in damage to the play set and injury to the users.

THIS PAGE INTENTIONALLY LEFT BLANK

WARRANTY REGISTRATION

- 5A>AEE3> =;@96A? 67>GJ7-

PlayNation manufactures the finest quality products that are designed for outstanding strength and durability. We back our products with an unparalleled warranty. In the unlikely event that you will need to contact us about covered repairs, we must have a valid Warranty Registration on file.

3 EASY WAYS TO REGISTER	
OPTION 1	Fax this completed form to: (800) 880-3300 OR Mail this completed form to: PlayNation Playsets 190 Etowah Industrial Court Canton, GA 30114
OPTION 2	Complete the online registration form at: http://www.playnation.com/register
OPTION 3	Scan this QR Code with your smart phone to complete the form using your phone 

Where did you buy this product?:

Date of Purchase _____ Store _____ Store City _____ Store State _____

Your registration information:

Name: _____ Email: _____

Address: _____
Street City State Zip

Please select your age? 18-30 31-40 41-50 51+

How old are your children? 2-3 4-5 6-7 8+

How would you rate the quality of this product?
 ★★★★★ Excellent
 ★★★★ Above Average
 ★★★ Average
 ★★ Below Average
 ★ Poor

Would you recommend this product to friends & family? Yes No

Comments: _____

THIS PAGE INTENTIONALLY LEFT BLANK

Safety and Maintenance Tips for Your New Play Set:

NOTE: Your children's safety is our #1 concern. Observing the following statements and warnings reduces the likelihood of serious or fatal injury. Please review these safety rules regularly with your children.

- This play set is designed for the use of 4 occupants who have a combined weight not exceeding 800 pounds on the elevated floor, 3 occupants who have a combined weight of 425 pounds on the swing area, for a total Unit capacity of 7 occupants who have a combined weight of 1225. (This weight does not include any picnic table area(s).)
- On-site adult supervision is required.
- Teach children not to walk close to, in front of, behind, or between moving swings or other moving playground equipment.
- Teach children to sit in and never stand on swings
- Teach children not to twist the chains and ropes and not to loop them over the swing beam, since this may reduce the strength of the chain or rope.
- Teach children not to jump from swings or other playground equipment in motion.
- Teach children not to push empty seats. The seat may hit them and cause serious injury.
- Teach children to sit in the center of the swings with their full weight on the seats.
- Teach children not to use the equipment in a manner other than intended.
- Teach children to always go down slides feet first. Never slide headfirst.
- Teach children to look before they slide to make sure no one is at the bottom.
- Teach children to never run up a slide, as this increases their chances of falling.
- The parents should have the children dress appropriately with well-fitting shoes. Loose clothing such as scarves and ponchos should not be worn. Always take off, tie up or tuck in cords and drawstrings on children's clothing. These things can get caught on playground equipment and strangle a child.
- Teach children not to climb when the equipment is wet.
- Teach children to never jump from a fort deck. They should always use the ladder, ramp or slide.
- Teach children to never crawl or walk across the top of monkey bars or swing beam.
- Teach children to never crawl on top of a fort roof or on the outside of a tube slide.
- Teach children to never carry items down a slide with them.
- Verify that any suspended climbing ropes, chains, or cables are secured at both ends and that they cannot be looped around an adult hand.
- Teach children not to attach items to the playground equipment that are not specifically designed for use with the equipment, such as, but not limited to, jump ropes, clothesline, pet leashes, cables and chain as they may cause a strangulation hazard.
- Teach children to never wrap their legs around swing chain.
- Teach children to never slide down the swing chain.
- Teach children to remove their bike or other sports helmet before playing on the playground equipment.
- Teach children to NEVER look at the sun or other bright light through any accessory such as but not limited to a telescope, periscope or binoculars.

WARNING: Children must NOT use this play set until it has been completely assembled and inspected by an adult to insure it has been properly installed and the swing beam legs are anchored. Note some sets may not require anchors on the swing beam legs, see owners manual for details.

Safety and Maintenance Tips for Your New Play Set: (continued)

Playgrounds should be inspected on a regular basis. If any of the following conditions are noted, they should be removed, corrected, or repaired immediately to prevent injuries.

- Hardware that is loose, worn or that has protrusions or projections.
- Exposed equipment footings.
- Scattered debris, litter, rocks, or tree roots.
- Splinters, large cracks, and decayed wood components.
- Deterioration and corrosion on structural components, which connect to the ground.
- Missing or damaged equipment components, such as handholds, guardrails, swing seats.
- Check all nuts and bolts twice monthly during the usage season and tighten as required. (But not so tight that you crack the wood) We recommend you check the swing beam and hardware often due to wood expansion and contraction. It is particularly important that this procedure be followed at the beginning of each season.
- Remove plastic swing seats and take indoors or do not use when the temperature drops below 32°F. Reinstall swings and other swing equipment at the beginning of the usage season.
- Oil all metallic moving parts monthly during the usage period.
- Check all coverings for bolts and sharp edges twice monthly during usage season to be certain they are in place. Replace when necessary. It is especially important to do this at the beginning of each new season.
- Check swing seats, ropes, cables and chains monthly during usage season for evidence of deterioration. Replacement should be made of any swing seat that has developed cracks in the plastic seats. Ropes, cables and chains should be removed and replaced if excessive wear is found. Contact us for warranted replacement parts.
- For rusted areas on metallic members such as monkey bars, hand supports brackets, etc.; sand and repaint, using a non lead-based paint meeting the requirements of Title 16 C.F.R. Part 1303. These requirements are available at: <http://www.cpsc.gov/>
- Inspect wood parts monthly. The grain of the wood sometimes will lift in the dry season causing splinters to appear. Light sanding may be necessary to maintain a safe playing environment. If you are treating your play set with stain regularly, it will help prevent severe checking/splitting and other weather damage.
- Once or twice a year, depending on your climate conditions, you must apply some type of protection (sealant) to the wood of your unit. Prior to the application of sealant, lightly sand any “rough” spots on your set. Please note this is a requirement of your warranty.
- Creating and maintaining the play set on a level location is very important. As your children play, your play set will slowly dig its way into the soil, and it is very important that it settles evenly. Make sure the play set is level and true once each year or at the beginning of each play season.
- Twice a month during the usage season rake the playground protective surfacing materials to prevent compaction and maintain appropriate depths. Replace the protective surfacing materials as required.
- Disposal Instructions: When the play set is no longer desired, it should be disassembled and disposed of in such away that no unreasonable hazards will exist at the time the play set is discarded.

Play Set Surfacing Recommendations:

Below are some of the recommendations that the U.S. Consumer Product Safety Commission (CPSC) offers from its Handbook for Public Playground Safety. The guide can be downloaded in full at www.cpsc.gov/cpscpub/pubs/325.pdf

1. Protective Surfacing - Since almost 60% of all injuries are caused by falls to the ground, protective surfacing under and around all playground equipment is the most critical safety factor on playgrounds.

Certain manufactured synthetic surfaces also are acceptable; however, test data on shock absorbing performance should be requested from the manufacturer.

Asphalt and concrete are unacceptable. They do not have any shock absorbing properties. Similarly, grass and turf should not be used. Their ability to absorb shock during a fall can be reduced considerably through wear and environmental conditions.

Certain loose-fill surfacing materials are acceptable. Surfacing materials are acceptable, such as the types and depths shown in the table.

Fall Heights and Materials

Type Of Material	6 in. depth	9 in. depth	12 in. depth
Double-Shredded bark mulch	6' Fall Height	10' Fall Height	11' Fall Height
Wood Chips	6' Fall Height	7' Fall Height	12' Fall Height
Fine Sand	5' Fall Height	5' Fall Height	9' Fall Height
Shredded Tires*	10-12' Fall Height	N/A	N/A
Fine Gravel	6' Fall Height	7' Fall Height	10' Fall Height

*This data is from tests conducted by independent testing laboratories on a 6-inch depth of uncompressed shredded tire samples produced by four manufacturers. The tests reported critical heights, which varied from 10 feet to greater than 12 feet. It is recommended that persons seeking to install shredded tires as a protective surface request test data from the supplier showing the critical height of the material when it was tested in accordance with ASTM F1292.

It should be recognized that all injuries due to falls cannot be prevented no matter what surfacing material is used.

2. Fall Zones - A fall zone, covered with a protective surfacing material, is essential under and around equipment where a child might fall. This area should be free of other equipment and obstacles onto which a child might fall. Stationary climbing equipment and slides should have a fall zone extending a Minimum of 6' in all directions from the perimeter of the equipment.

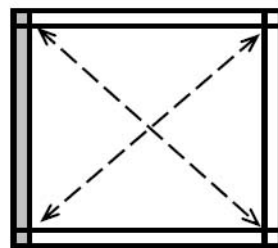
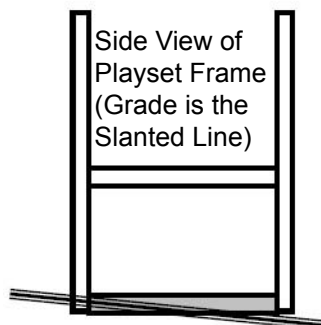
Swings should have a fall zone extending a minimum of 6' from the outer edge of the support structure on each side. The fall zone in front and back of the swing should extend out a minimum distance of twice the height of the swing as measured from the ground to the top of the swing support structure.

LEVELING YOUR FORT DURING ASSEMBLY

- Complete the steps which will be the basic frame of the fort. {i.e. four corner posts with base (sand box boards) and deck supports}
- Position in the most level area chosen for the play set, keeping in mind the location and size of the swing beam, ladder, slides, etc. that extend off the fort.
- Once the frame is in the final position, check for vertical and horizontal levelness to determine which side(s) will need to be dug into the ground to level the play set.
- With a shovel, score the ground around the outside edges of the sandbox boards on the 'high' side of the fort. This is the area that will be dug in. Make sure to score deep enough; the scored lines will be your digging template.
- Push the frame off and away from the scored area, far enough to dig and remove dirt to reach the appropriate depth.
- Dig a channel along the scored line(s) for the base of the fort (corner post and sandbox boards) to rest into. Dig the channel(s) to the same level depth. The bottom of the channel(s) should be level to each other so your frame doesn't teeter or rock because the channel(s) are uneven.
- Once you have removed enough grass and dirt, slide/push the frame into the channel(s). Place a level on the vertical and horizontal boards of the frame to determine if enough soil, or too much, was removed.
- Repeat this process until the basic frame is plumb and level and in its final position before completing the rest of the assembly.
- Measure to make sure fort is square.

Important: if you require a channel depth of more than 6", then we recommend you have your play set area professionally graded before completing assembly.

Example Play area:



The diagonal measurements should be the same from corner post to corner post. If not, adjust corner posts so that the distance is equal.

■ = Area to be scored and channeled for levelness

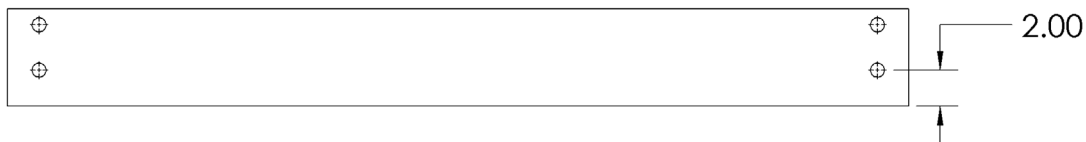
General Info to Review Before Installation

- Depending on your experience, assembly of the playset can take as little as 6 hours up to 24 hours, depending on size, after inventory of parts; therefore, we recommend you set aside a full two days for assembly.
- Identify all of the parts for your play set. Empty each box and lay out boards so you can see each part. Your instruction book will have detailed drawings that will make it easy for you to recognize individual parts. Keep all hardware and metal parts separate from wooden pieces.
- After everything is laid out, check carefully to ensure all parts are present. Make sure there are no broken boards.
- Find an area to sort your hardware. It is best to open the hardware on a solid surface so that you do not lose any pieces in the grass. This will save time and familiarize you with all the different pieces in the hardware bag.
- Important note: Wood has some natural defects such as knots, surface cracks, etc... We reject parts that are structurally defective. We use a high quality lumber in our structures; however, you should inspect each part for splinters or rough spots and sand them smooth to prevent injury.
- After familiarizing yourself with all of the components, read all instructions thoroughly. Reading instructions after you have studied the parts will help you understand the installation process, and help to eliminate unnecessary mistakes.
- Pay close attention to the diameter and length of each bolt and screw.
- Never tighten hardware completely at first. It helps to have some adjustment for bolt alignment while you are attaching parts together. After everything is square, tighten each joint.
- After the main unit is assembled it is critical that the floor is level and square. If the main frame is not level, the walls and floor will be out of square.
- After you complete installation, make sure every bolt, screw, and nut is tight, and every board is secure. Wood will expand and contract with the seasons.
- Place the set on level ground, not less than 6 feet from any structure or obstruction such as a fence, garage, house, overhanging branches, laundry lines, or electrical wires.

This page is a list of definitions and explanations used throughout our instructions to aid you in the assembly of your play set.

Offset Holes- Throughout the installation procedures we will refer to parts with offset holes. This refers to the orientation of the holes on the board. An offset hole is one that is closer to one side than it is the other or in other words, it is not centered on the board. In the procedures you will be instructed to attach the boards with the holes offset up or with the holes offset down. This refers to which side of the board the hole/holes should be closer to. Offset holes up= hole/holes will be closer to the top of the board. Offset holes down= hole/holes will be closer to the bottom of the board. Note: some parts do not have offset holes, but instead the holes are on center. Therefore there will not be any reference on how to offset these parts.

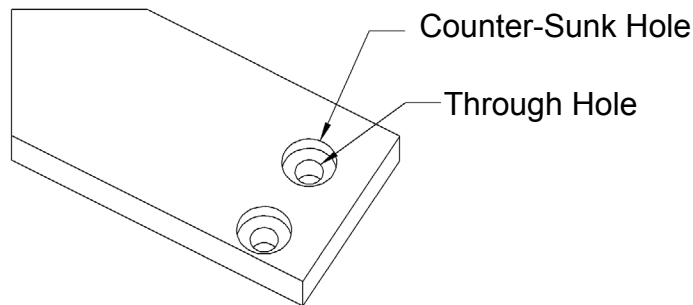
EXAMPLE OF OFFSET HOLES UP



EXAMPLE OF OFFSET HOLES DOWN



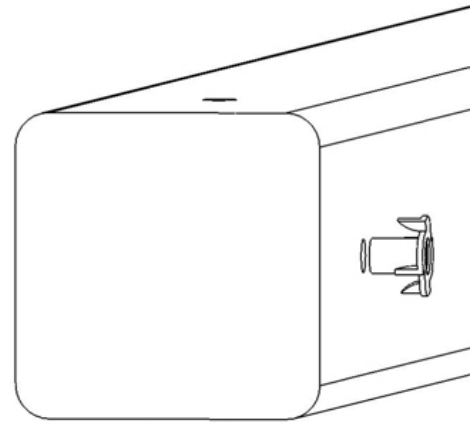
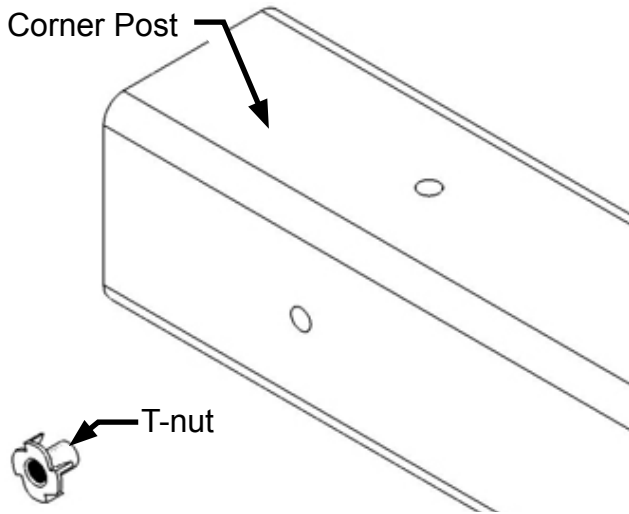
Counter-sunk holes - Many of the parts that will be used have counter-sunk holes. A counter-sunk hole is one that surrounds one side of a through hole, but does not extend through the wood it's self. When using a counter-sunk hole the bolt will be inserted through the through hole and either the head of the bolt and washer or nut and washer will occupy the counter sunk hole.



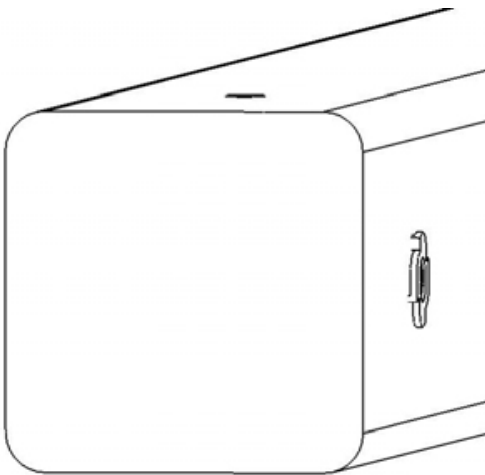
Lag Screws- Lag screws are used in the construction of our play sets to enhance the structural integrity of the unit. There will not be predrilled holes in the post for lag screw installation. Lag screws are self-tapping, though if you are using a manual socket wrench it may be advantageous to pre-drill a hole first. Instructions for this are provided on a separate page in the front of the manual. Be sure to tighten the lags completely when driving them in by hand. Power tools such as a heavy duty impact driver or large power drill should have enough torque to drive in the lag screws, but make sure not to over tighten as this can cause the threads to “strip out” in the post.

Common Installation Practice Installing T-nuts

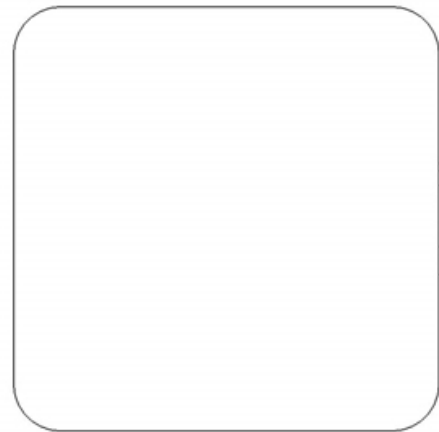
When installing T-nuts into the wood, use a smooth faced hammer to set the face of the T-nut flush into the wood



Insert the barrel of the T-nut into the predrilled hole. Using a smooth faced hammer, drive the T-nut until the face of the T-nut is flush to the wood.

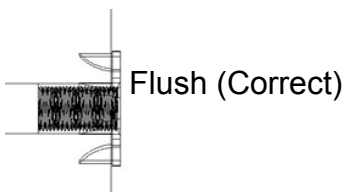


This picture shows the T-nut inserted and installed flush to the wood.



This picture shows an end view of the T-nut installed flush to the wood.

WARNING: DO NOT EMBED THE TOP OF THE T-NUT INTO THE FACE OF THE WOOD



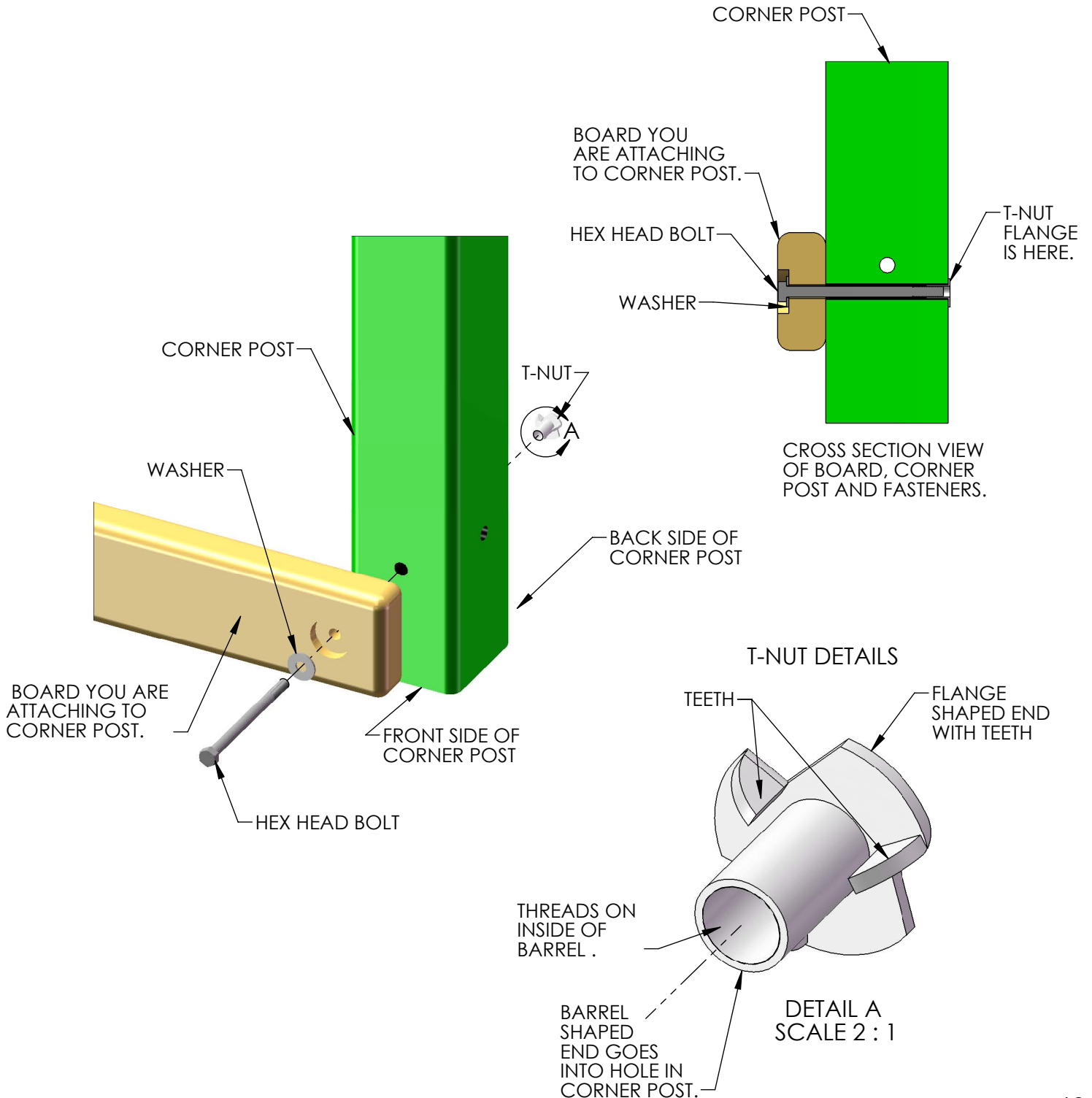
Cross Section end view, you are looking at an X-ray view of the post and T-nut. The barrel of the T-nut is in the corner post the line is the face of the wood.

HOW A T-NUT WORKS

THE FIRST STEP IN OUR ASSEMBLY INSTRUCTIONS IS TO INSERT T-NUTS INTO THE CORNER POSTS. A T-NUT IS A FASTENER WHICH IS THREADED ON THE INSIDE AND IT FUNCTIONS JUST LIKE A STANDARD HEX NUT. YOU INSERT THE T-NUTS INTO THE PREDRILLED HOLES IN THE CORNER POSTS.

THE T-NUT HAS A BARREL SHAPED END WHICH GOES INTO THE HOLE IN THE CORNER POST. THE T-NUT ALSO HAS AN FLANGE SHAPED END WITH TEETH. THE TEETH PENETRATE INTO THE CORNER POST WOOD TO PREVENT THE T-NUT FROM SPINNING WHEN YOU TIGHTEN THE HEX HEAD BOLT.

SHOWN BELOW YOU WILL SEE THE T-NUT IS HAMMERED INTO THE CORNER POST ON THE BACK SIDE. THE BOARD IS BEING ATTACHED ON THE FRONT SIDE OF THE CORNER POST.

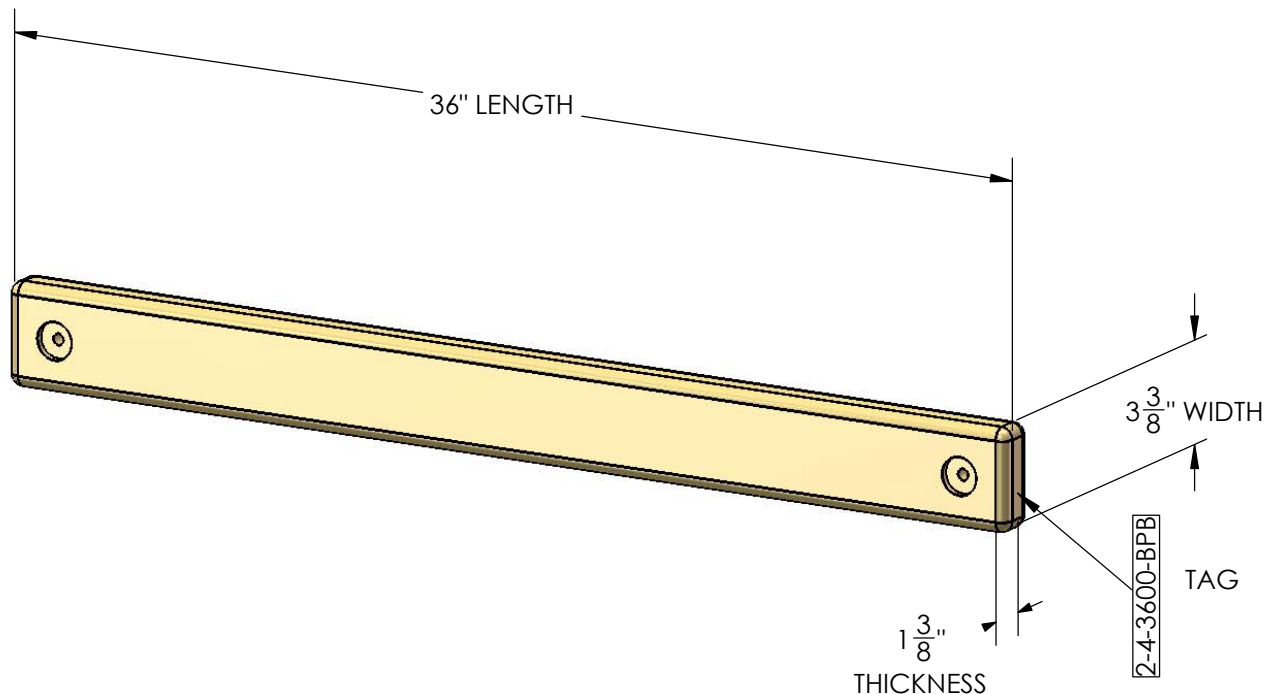


BOARD IDENTIFICATION

1. On the end of each board there should be a small white tag that is stapled into place.
2. This white identification tag displays the thickness, width, length and an abbreviated description of the part.

Example: a tag reads "2-4-3600-BPB"

- The 2 is the thickness of the board. "Nominal Lumber" at a home center will measure 1-1/2" for the thickness. We "remill" that lumber to 1-3/8" thick.
- The 4 is the width of the board. "Nominal Lumber" at a home center will measure 3-1/2" for the width. We "remill" that lumber to 3-3/8" wide.
Note: sometimes the width will be smaller than 3-3/8" because:
A) We need the width of the part to fit into a certain area of the play set.
B) We need the designation to be simple.
- The 3600 is the length of the board. It means the board is 36 inches long. If the code were 3625 then the board is 36-1/4" in length.
- The "BPB" abbreviation stands for "Bottom Panel Board". The wood part bill of materials in the instructions has a description which will match the abbreviation closely.
- In the event that there is no tag on a wood part measure the part then:
A) Use the measurements and compare them to the wood list at the front of the instructions to identify it.
B) Look at the holes on the wood part and compare them to the pictures in the wood list.
C) Look to see if the holes are centered or if they are offset up or offset down.
This should help you identify any parts that have missing tags. In the event that you cannot identify a board please email us for assistance.



PRE-DRILL LAG SCREW DIRECTIONS

Pre-drilling holes for lag screws will make it easier to drive the screws in by hand. "Jobber" length drill bits are available in sizes that are longer than standard drill bits and those are ideal for the job. When using the drill bit you will have to "spot" drill the post and then remove the board you are attaching to finish drilling the hole.

Pay attention to the *DIAMETER* of the lag screw you are installing. Your playset may come with two different diameter lag screws. Each diameter will require a different size drill bit. When installing lag screws **DO NOT OVERTIGHTEN.**

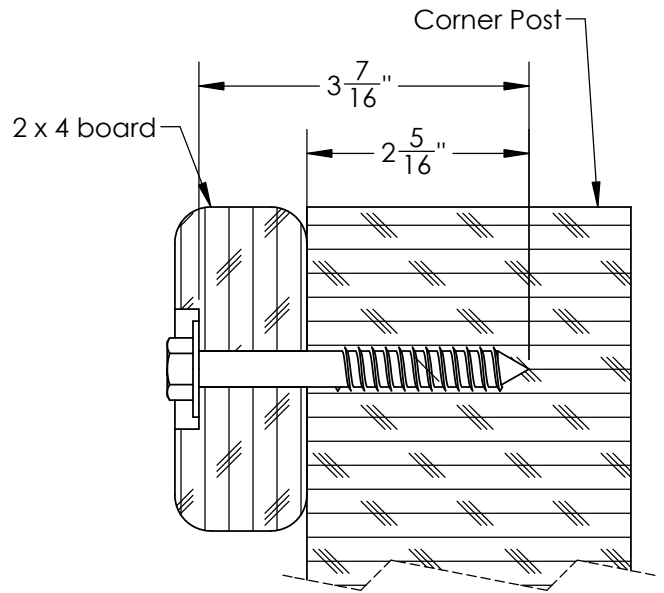
LAG SCREW DIAMETER	DRILL BIT SIZE
5/16" DIAMETER	9/64"
3/8" DIAMETER	11/64"

Example: 3/8" diameter x 3-1/2" lag screw

This would be like the 2 x 4 board installation shown below. Place the board into position. Spot Drill through the holes in the 2 x 4 board into the corner posts with an 11/64" drill bit. Remove the 2 x 4 board. Continue to drill the holes to a total depth of 2-5/16" as shown at the right. Install the 2 x 4 board.

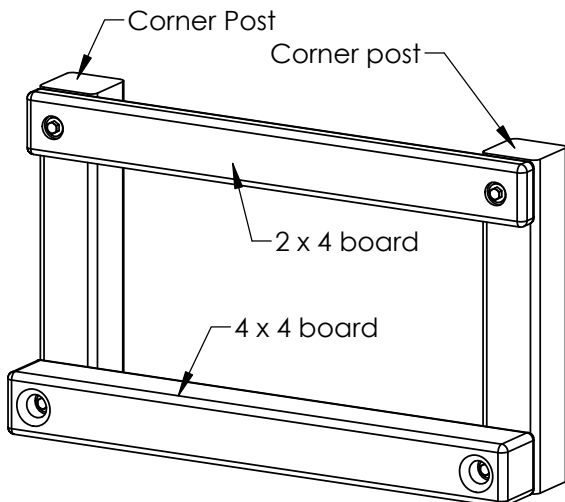
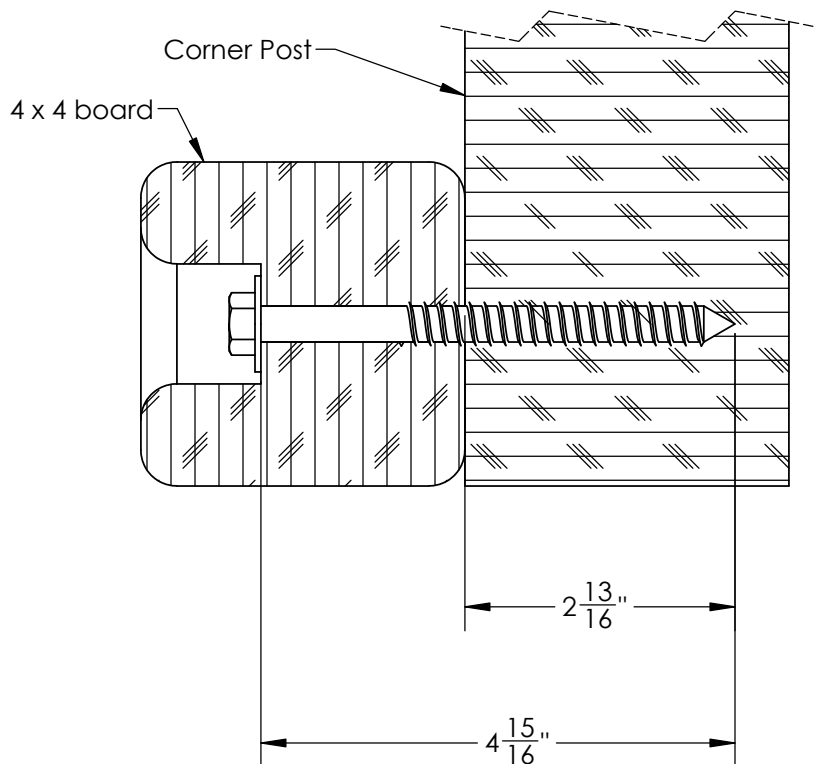
Example 5/16" diameter x 3-1/2" lag screw

This would be like the 2 x 4 board installation shown below. Place the board into position. Spot Drill through the holes in the 2 x 4 board into the corner posts with an 9/64" drill bit. Remove the 2 x 4 board. Continue to drill the holes to a total depth of 2-5/16" as shown at the right. Install the 2 x 4 board.



Example 3/8" diameter x 5" lag screw

This would be like the 4 x 4 board installation shown below. Place the board into position. Spot drill through the holes in the 4 x 4 board into the corner posts with an 11/64" drill bit. Remove the 4 x 4 board. Continue to drill the holes to a total depth of 2-13/16" as shown at the right. Install the 4 x 4 board.



SWING BEAM LOADING

Weight Limits for Accessories:

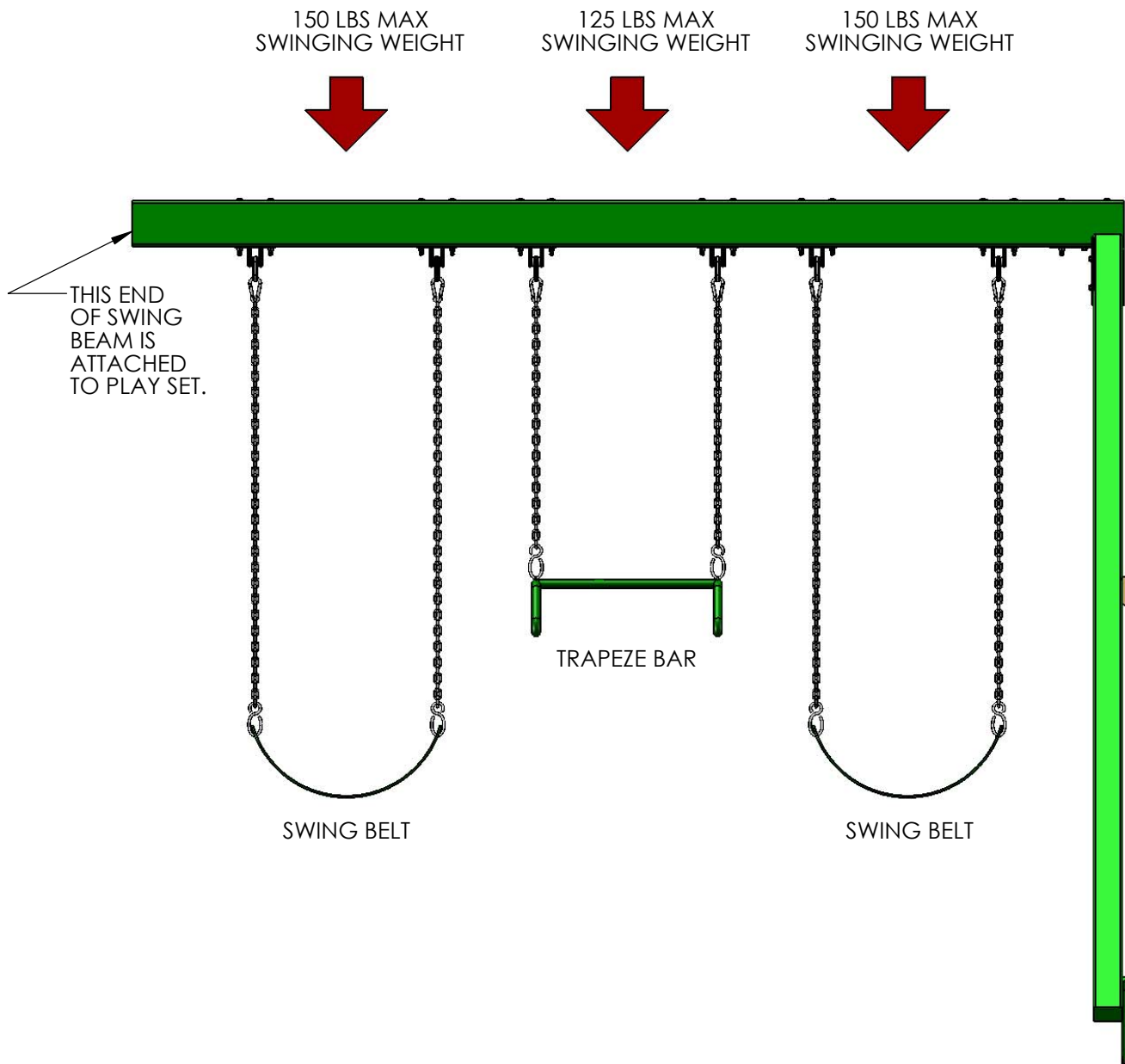
The weight limit for a Swing Belt is 225 lbs. (Although 150lbs is the maximum recommended swinging weight capacity for the swing position.)

The weight limit for a Trapeze Bar is 125 lbs.

Maximum Allowable swinging weight for a three position swing:

- 1) The maximum allowable swinging weight at each Swing Belt position is 150 lbs.
- 2) The maximum allowable swinging weight at the Trapeze position is 125 lbs.
- 3) The **MAXIMUM SWING BEAM LOAD IS 425 lbs.**

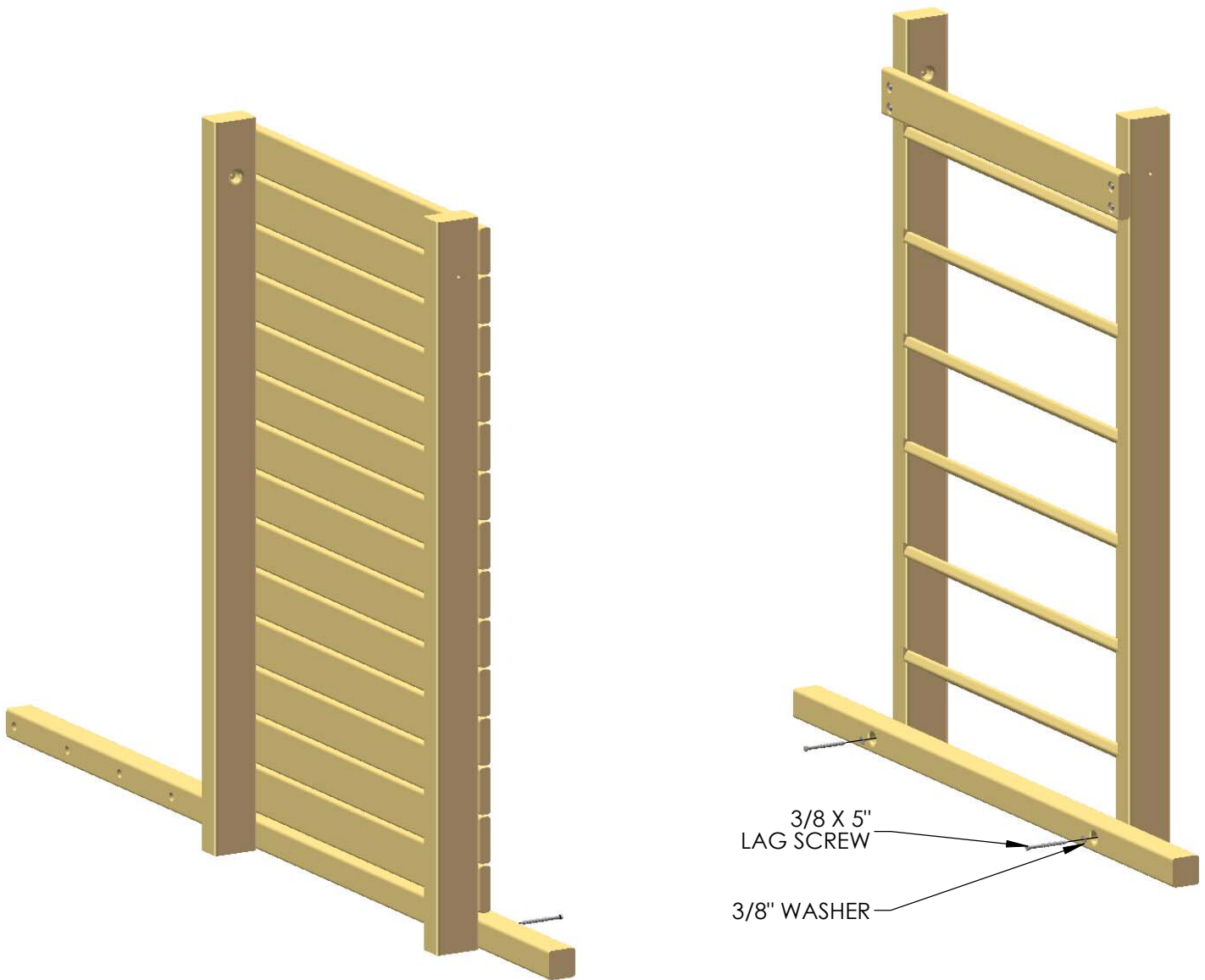
MAXIMUM SWING BEAM LOAD IS 425 LBS.



STEP 1: LADDER AND ROPE LADDER RUNNERS

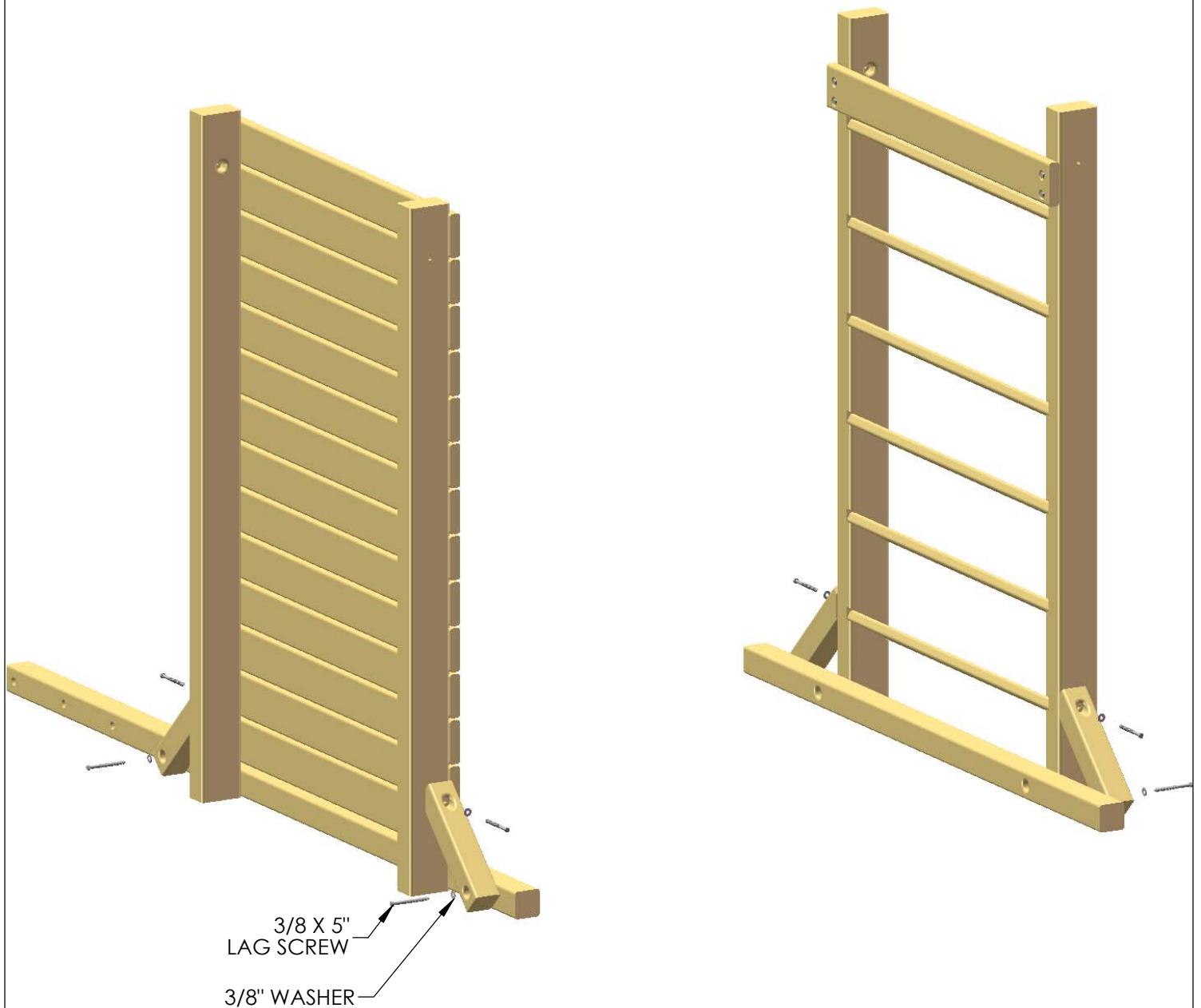
1: PLACE THE 4 X 4 X 84" LADDER RUNNER FLUSH WITH THE BOTTOM OF THE LADDER ASSEMBLY, TO THE INSIDE OF THE LADDER. ALLOW THE LADDER RUNNER TO EXTEND EQUALLY PAST THE LADDER RAILS. FASTEN THE LADDER RUNNER TO THE LADDER WITH 3/8 X 5" LAG SCREWS AND 3/8" WASHERS.

2: PLACE THE 4 X 4 X 120" ROPE LADDER RUNNER 1/2" FROM THE BOTTOM OF THE ROCK WALL ASSEMBLY. MAKE SURE THAT THE HOLES FOR THE ROPE LADDER ARE HORIZONTAL. FASTEN THE ROPE LADDER RUNNER TO THE ROCK WALL WITH 3/8 X 5" LAG SCREWS AND 3/8" WASHERS.



STEP 2: ANGLE BRACES

1: PLACE THE 4 X 4 X 16" ANGLE BRACES FLUSH TO THE SIDES OF THE LADDER AND ROCK WALL ASSEMBLIES WITH 3/8 X 5" LAG SCREWS AND 3/8" WASHERS.



STEP 3: MAIN DECK BEAMS

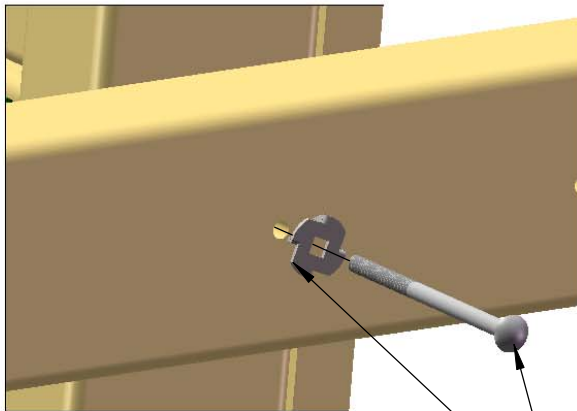
1: PLACE THE 4 X 6 X 124" MAIN DECK BEAMS FLUSH TO THE OUTSIDE OF THE LADDER AND ROCK WALL ASSEMBLIES, LINING UP THE PILOT HOLES AT EACH END TO THE COUNTER-SUNK HOLES ON THE LADDER AND ROCK WALL SIDES.

2: FIND FOUR 6-1/2" CARRIAGE BOLTS AND FOUR TORQUE WASHERS. PLACE THE CARRIAGE BOLT INSIDE THE TORQUE WASHER SO THAT THE TEETH ARE FACING THE SAME DIRECTION AS THE THREADS OF THE CARRIAGE BOLT.

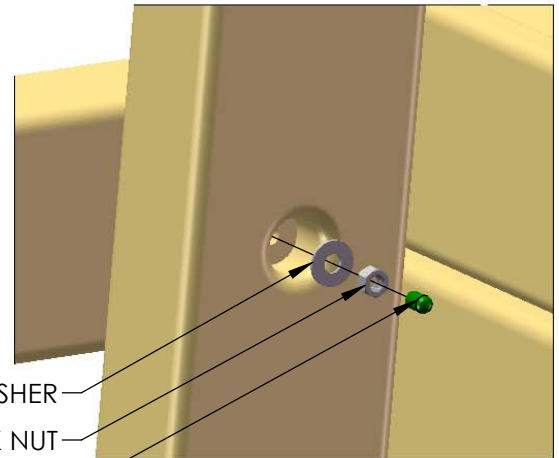
3: PLACE THE CARRIAGE BOLT/TORQUE WASHER ASSEMBLY IN THE HOLE ON THE MAIN DECK BEAMS, OUT THROUGH THE COUNTER-SUNK HOLES ON THE LADDER AND ROCK WALL SIDES, AND SET WITH A HAMMER.

4: USE 3/8" LOCK NUTS WITH 3/8" WASHERS TO SECURE THE MAIN BEAMS. **DO NOT FULLY TIGHTEN CARRIAGE BOLTS AT THIS TIME.**

5: USE GREEN BOLT CAPS TO COVER ANY EXPOSED THREADS.



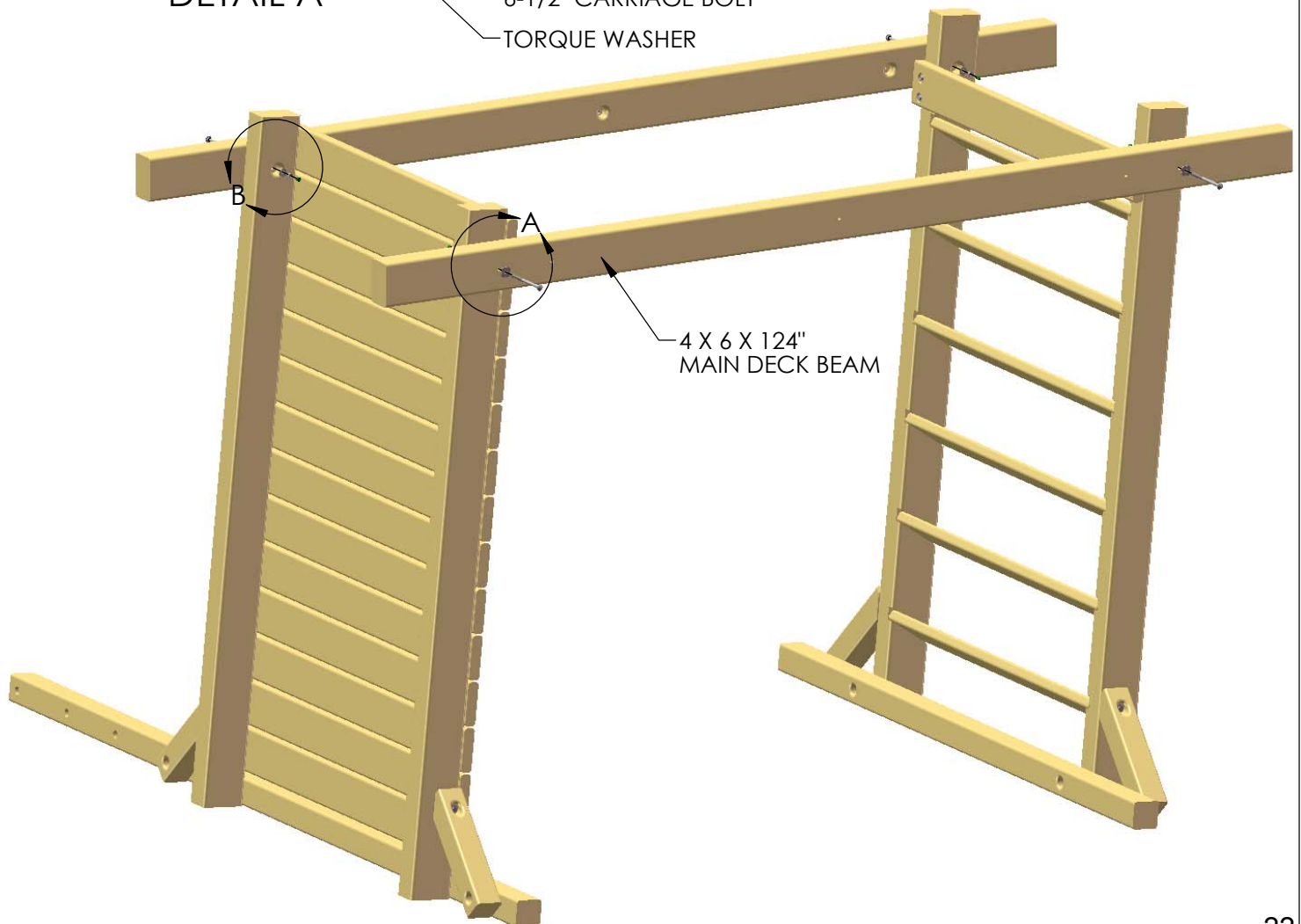
DETAIL A



DETAIL B

3/8" WASHER
3/8" LOCK NUT
BOLT CAP

6-1/2" CARRIAGE BOLT
TORQUE WASHER



4 X 6 X 124"
MAIN DECK BEAM

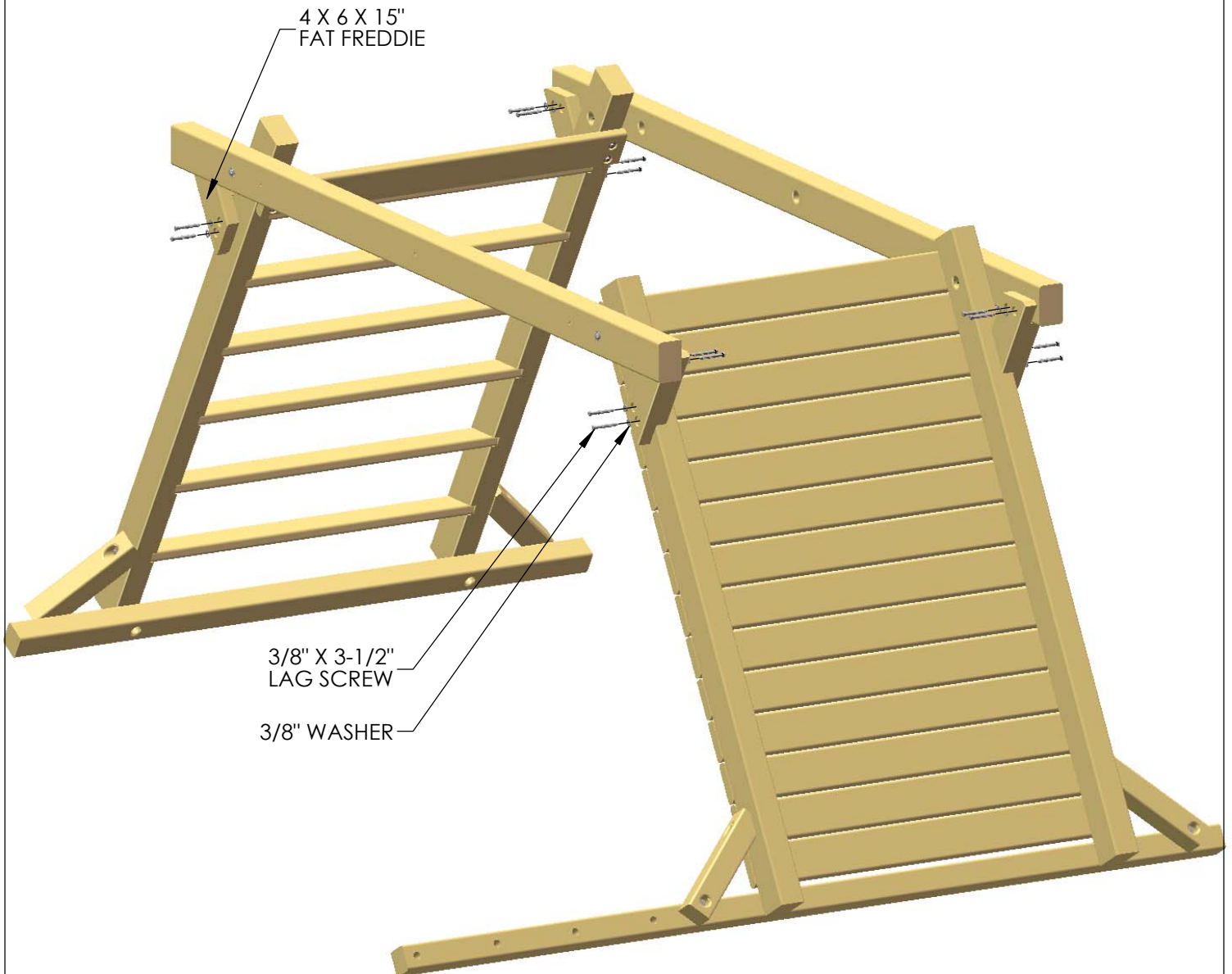
STEP 4: FAT FREDDIES

1: PLACE THE 4 X 6 X 15" FAT FREDDIES AT THE ENDS OF THE MAIN BEAMS. NOTE THAT THERE ARE TWO FOR THE LEFT SIDE AND TWO FOR THE RIGHT.

2: THE NOTCHES IN THE FAT FREDDIES WILL FIT WITH THE LADDER AND ROCK WALL ASSEMBLIES WHEN THEY ARE SCISSORED OUT. THE FAT FREDDIES WILL FASTEN TO THE INSIDE OF THE MAIN BEAM, AND TO THE OUTSIDE OF THE LADDER AND ROCK WALL SIDES.

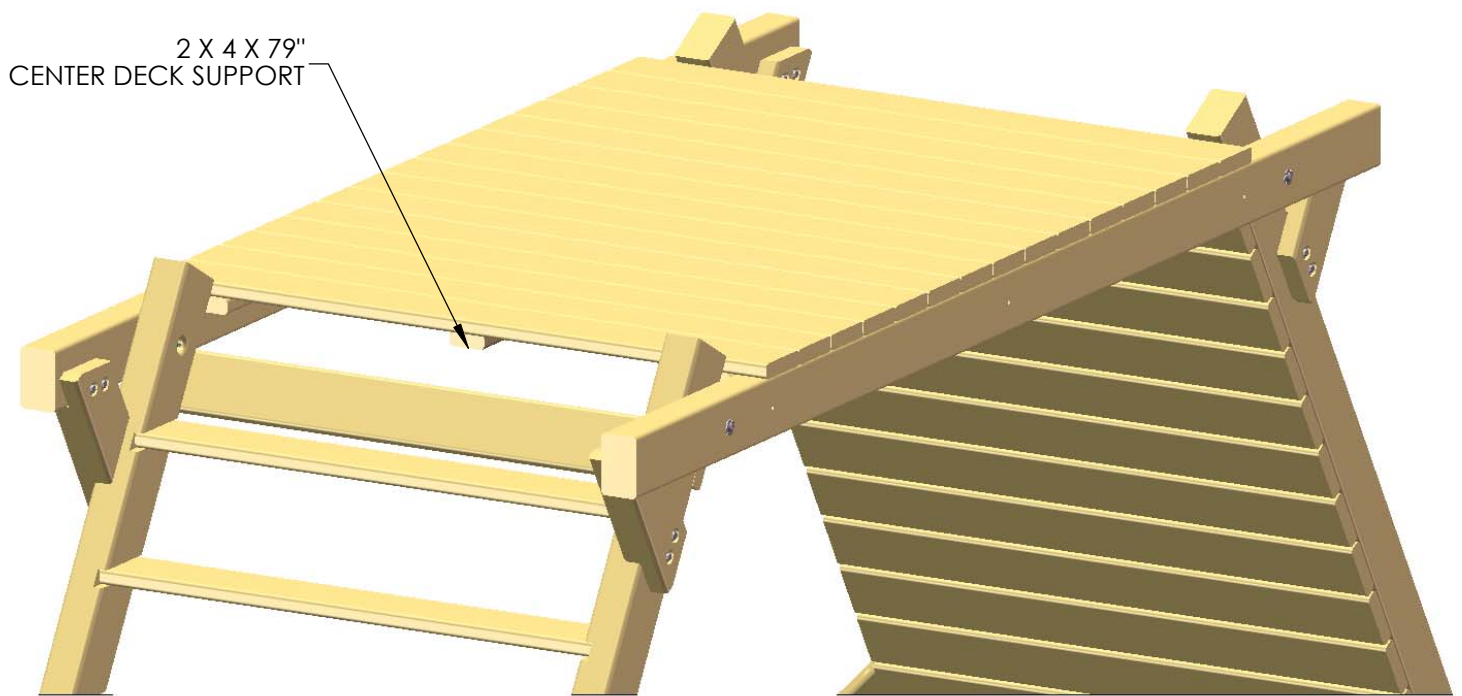
3: USE 3/8 X 3-1/2" LAG SCREWS WITH 3/8" WASHERS TO FASTEN THE FAT FREDDIES TO THE LADDER, ROCK WALL, AND MAIN BEAMS.

4: GO BACK AND TIGHTEN THE 3/8" LOCK NUTS INSTALLED ON THE PREVIOUS PAGE.



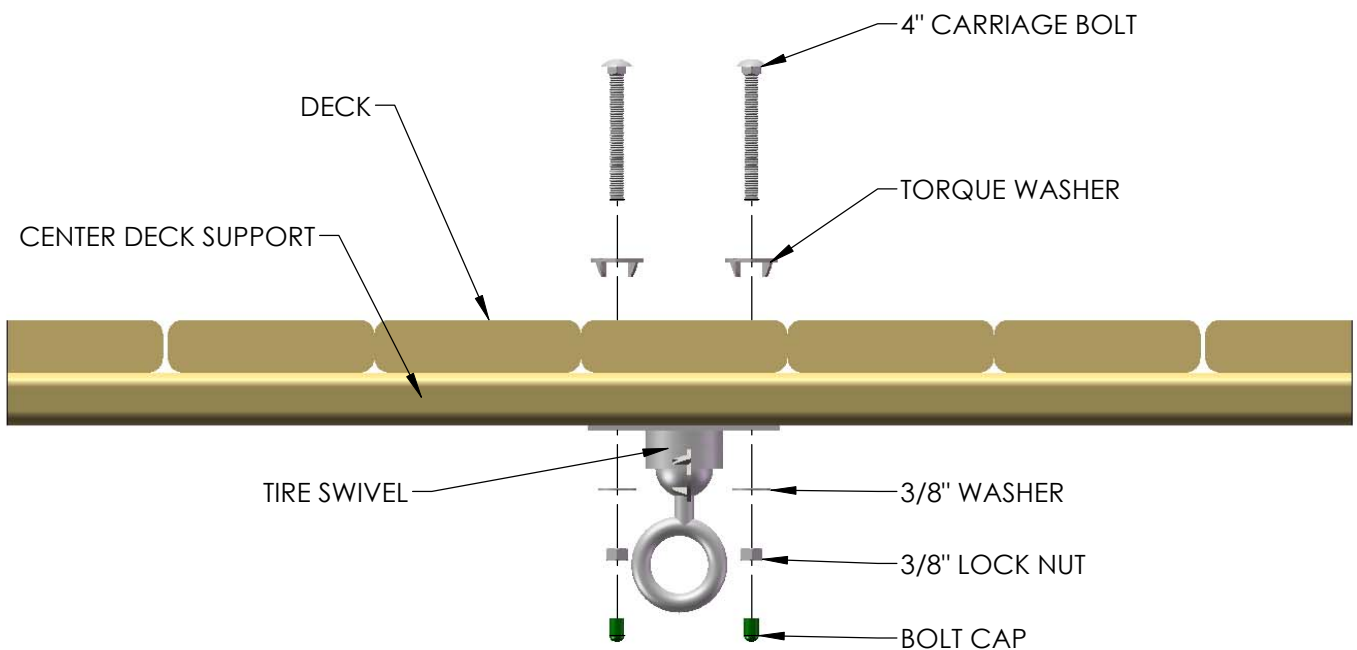
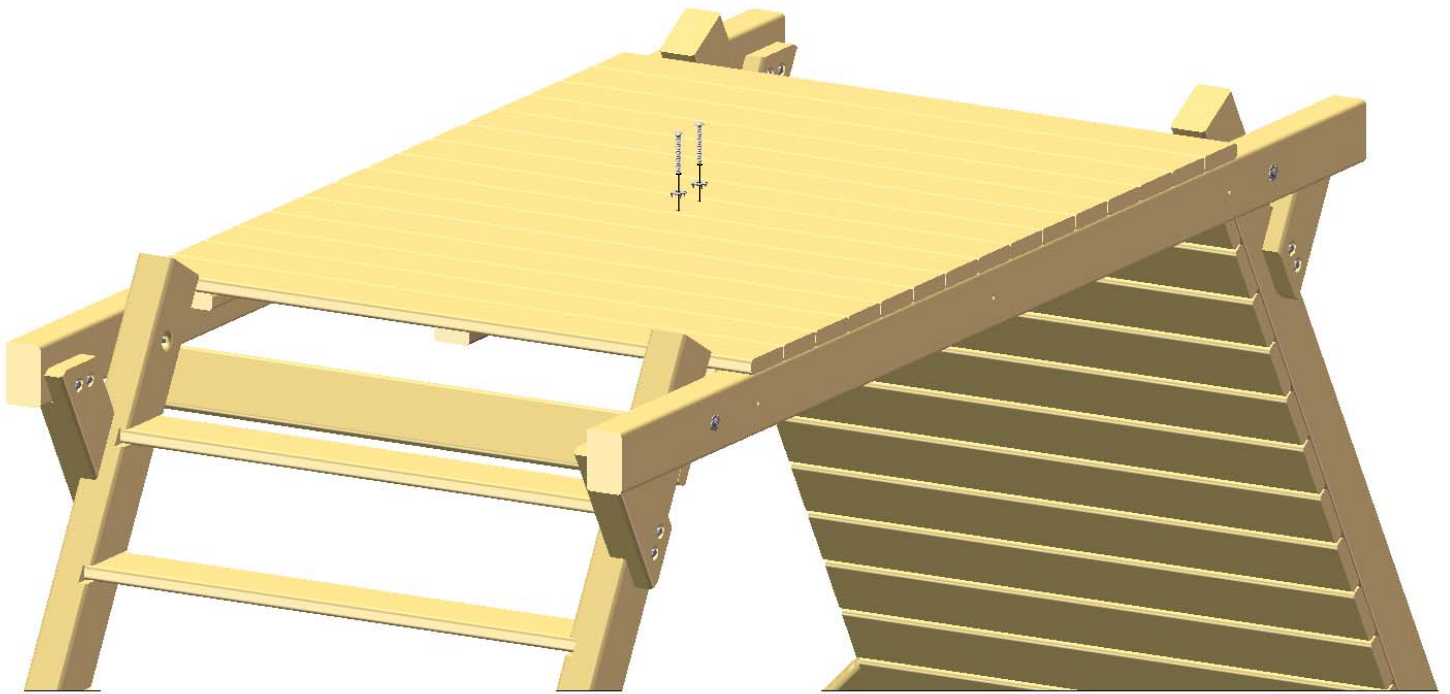
STEP 5: DECK

- 1: PLACE THE DECK PANELS ON TOP OF THE MAIN BEAMS, ALLOWING THE 2 X 4 DECK STREAMERS TO FIT INSIDE OF THE MAIN BEAMS.
- 2: FASTEN THE DECK PANELS TO THE MAIN BEAMS WITH ONE 2-1/2" WOOD SCREW ON BOTH SIDES OF EACH BOARD.
- 3: PLACE THE 2 X 4 X 79" CENTER DECK SUPPORT IN THE CENTER OF THE DECK AND FASTEN WITH ONE 2-1/2" WOOD SCREW PER BOARD.



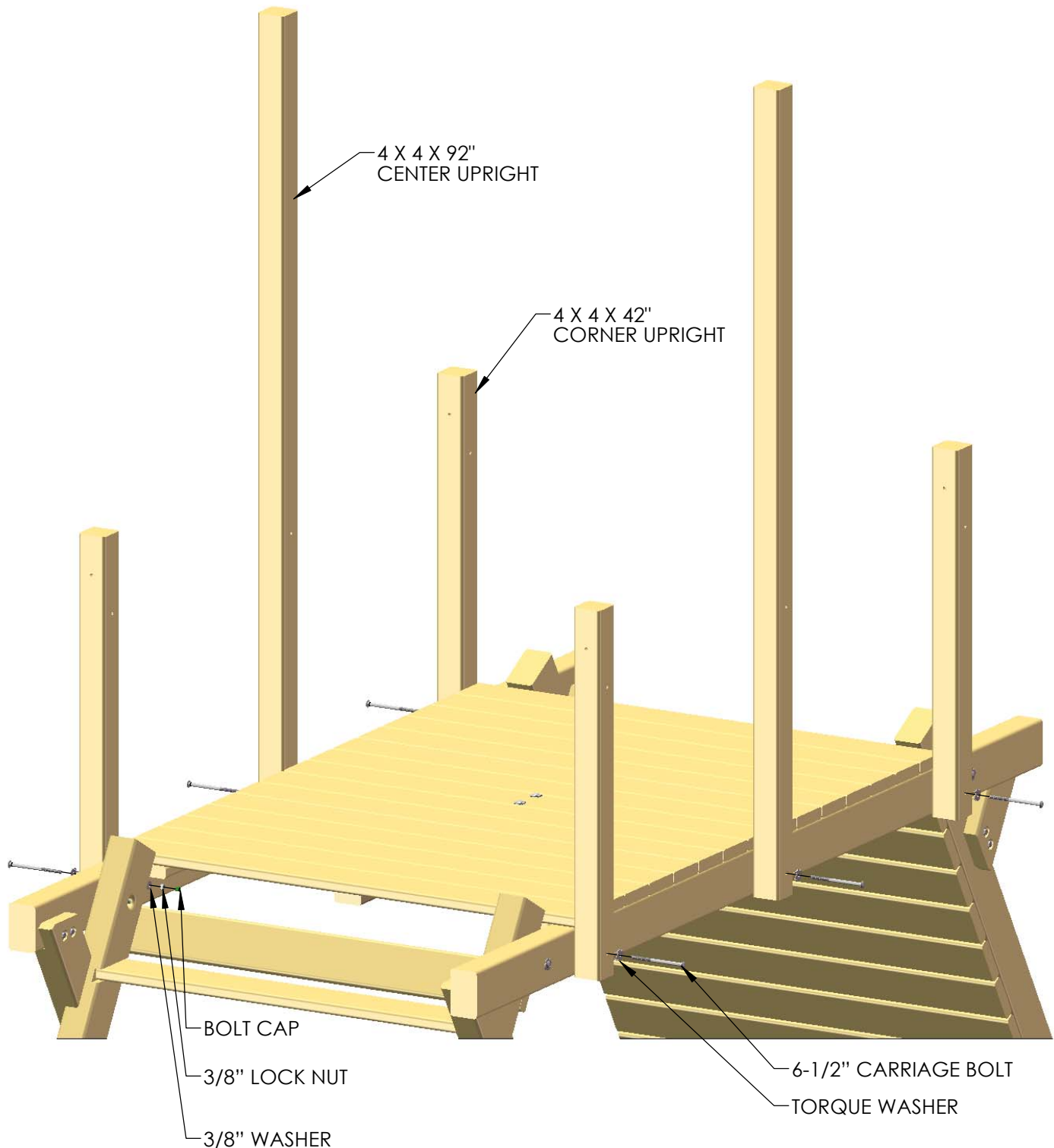
STEP 6: TIRE SWIVEL

- 1: REST THE TIRE SWIVEL ON TOP OF THE DECK AND, USING THE HOLES IN THE TIRE SWIVEL AS A GUIDE, MARK THE LOCATION OF THE HOLES.
- 2: DRILL 3/8" HOLES IN THE BRIDGE DECK WHERE THE MARKS WERE MADE.
- 3: FASTEN THE TIRE SWIVEL TO THE DECK WITH 4" CARRIAGE BOLTS AND TORQUE WASHERS FROM THE TOP, AND 3/8" LOCK NUTS WITH 3/8" WASHERS FROM UNDERNEATH.
- 4: PLACE BOLT CAPS ON ANY EXPOSED THREADS.



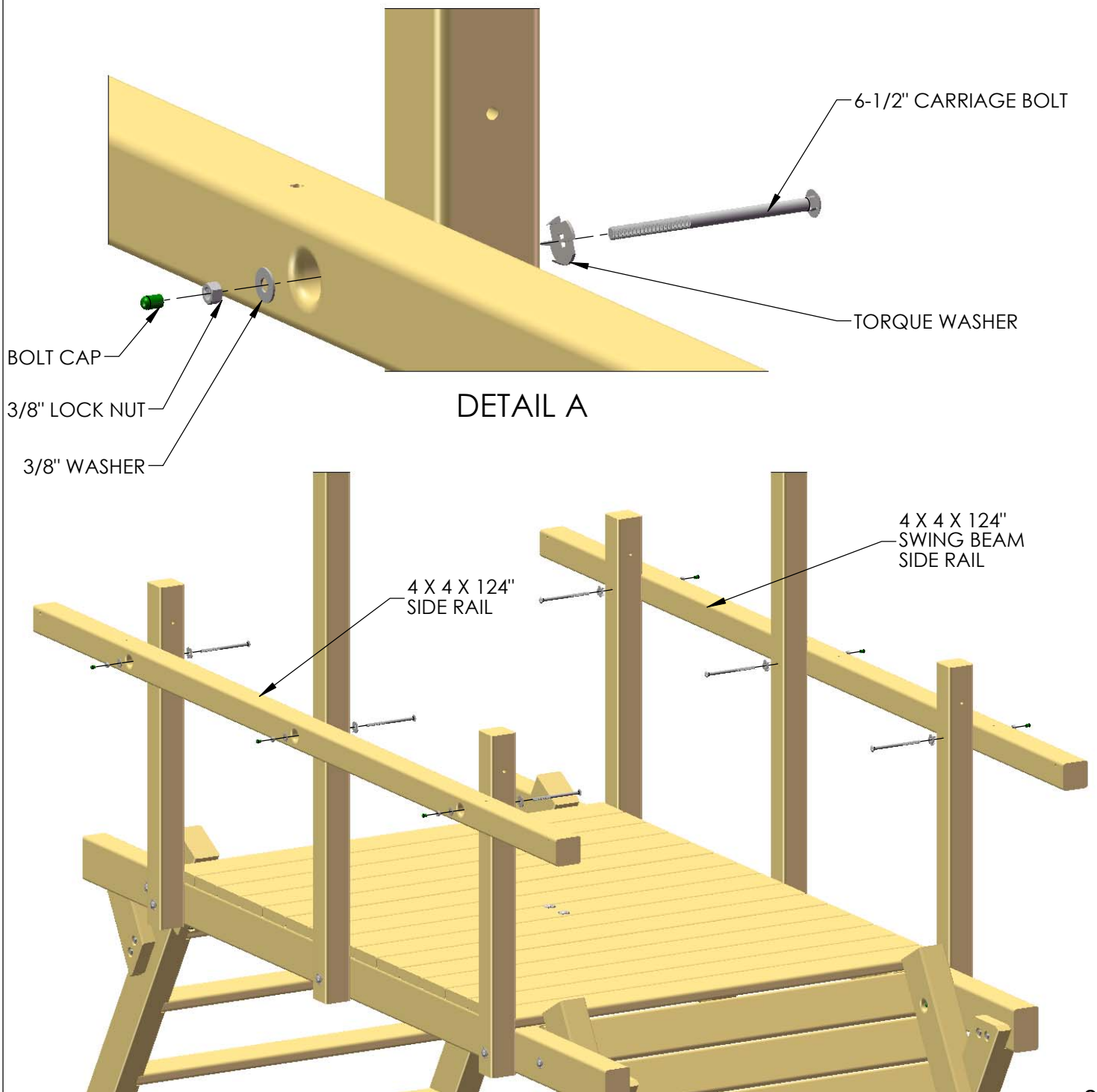
STEP 7: UPRIGHTS

- 1: LINE UP THE PILOT HOLES OF THE 4 X 4 X 42" CORNER UPRIGHTS WITH THE HOLES AT EACH END OF THE MAIN FLOOR BEAMS.
- 2: FASTEN THE CORNER UPRIGHTS TO THE MAIN FLOOR BEAMS USING 6-1/2" CARRIAGE BOLTS WITH TORQUE WASHERS FROM THE OUTSIDE, AND 3/8" LOCK NUTS WITH 3/8" WASHERS FROM THE INSIDE.
- 3: LINE UP THE PILOT HOLES OF THE 4 X 4 X 92" CENTER UPRIGHTS WITH THE HOLES AT THE CENTER OF THE MAIN FLOOR BEAMS.
- 4: FASTEN THE CENTER UPRIGHTS TO THE MAIN FLOOR BEAMS USING 6-1/2" CARRIAGE BOLTS WITH TORQUE WASHERS FROM THE OUTSIDE, AND 3/8" LOCK NUTS WITH 3/8" WASHERS FROM THE INSIDE.
- 5: PLACE BOLT CAPS OVER ANY EXPOSED THREADS.



STEP 8: SIDE RAILS

- 1: PLACE THE 4 X 4 X 124" SWING BEAM SIDE RAIL FLUSH TO THE CORNER UPRIGHTS, LINING UP THE PILOT HOLES. MAKE SURE THAT THE SIDE WITH THREE CLOSELY PATTERNED COUNTER-SUNK HOLES IS FACING DOWN.
- 2: ATTACH THE SWING BEAM SIDE RAIL TO THE CORNER AND CENTER UPRIGHTS USING 6-1/2" CARRIAGE BOLTS WITH TORQUE WASHERS FROM THE INSIDE OF THE FORT, AND 3/8" LOCK NUTS WITH 3/8" WASHERS FROM THE OUTSIDE.
- 3: PLACE THE 4 X 4 X 124" SIDE RAIL FLUSH TO THE CORNER UPRIGHTS, LINING UP THE PILOT HOLES.
- 4: ATTACH THE SIDE RAIL TO THE CORNER AND CENTER UPRIGHTS USING 6-1/2" CARRIAGE BOLTS WITH TORQUE WASHERS FROM THE INSIDE OF THE FORT, AND 3/8" LOCK NUTS WITH 3/8" WASHERS FROM THE OUTSIDE.
- 5: USE BOLT CAPS TO COVER ANY EXPOSED THREADS.
- 6: SEE DETAIL "A" FOR A MORE DETAILED VIEW OF ASSEMBLY.



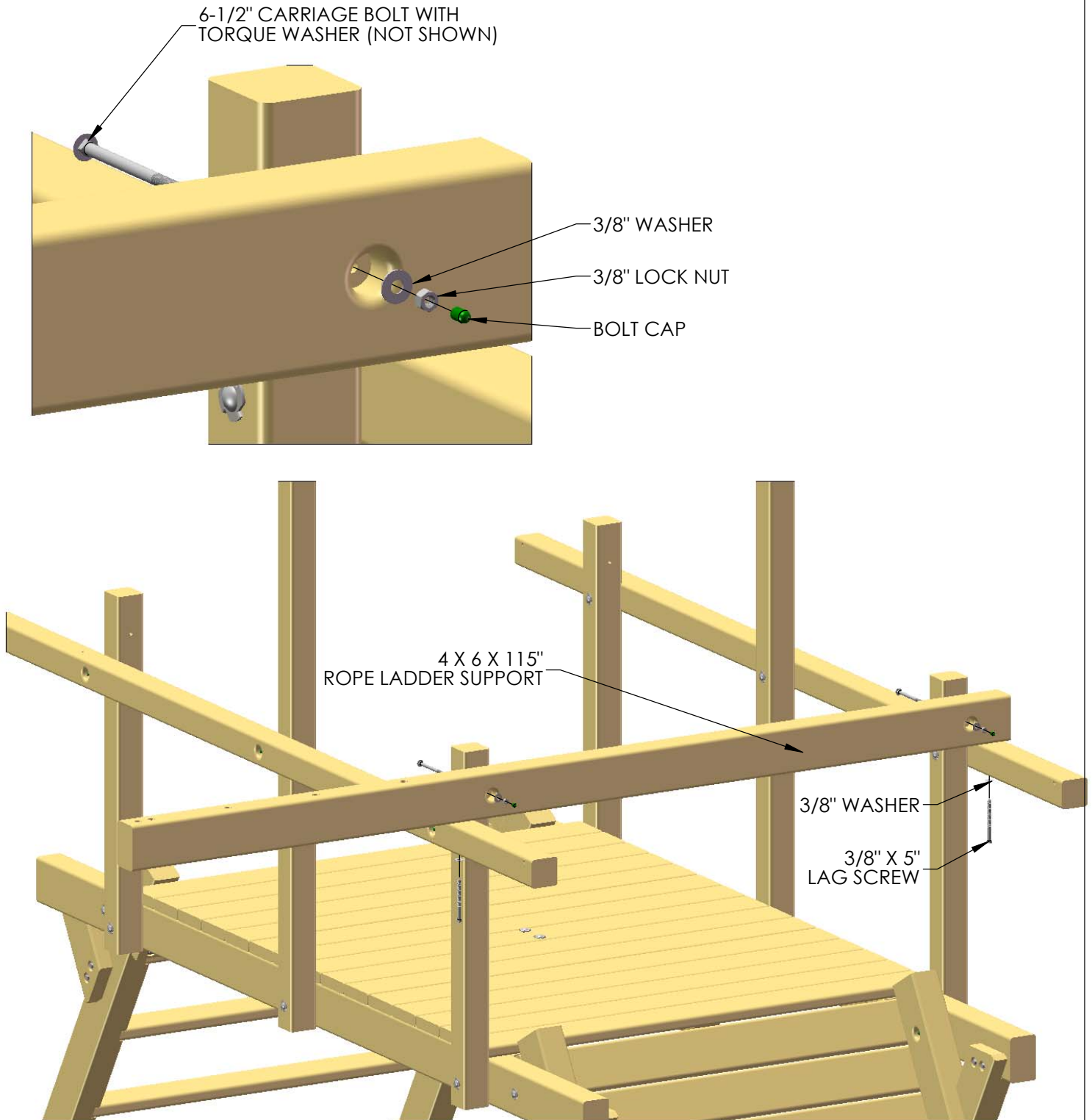
STEP 9: ROPE LADDER SUPPORT

1: PLACE THE 4 X 6 X 115" ROPE LADDER SUPPORT TO THE CORNER UPRIGHTS ON THE SAME SIDE THAT THE ROPE LADDER RUNNER WAS INSTALLED, LINING UP THE PILOT HOLES.

2: FASTEN THE ROPE LADDER SUPPORT TO THE CORNER UPRIGHTS USING 6-1/2" CARRIAGE BOLTS WITH TORQUE WASHERS FROM THE INSIDE OF THE FORT, AND 3/8" LOCK NUTS WITH 3/8" WASHERS FROM THE OUTSIDE.

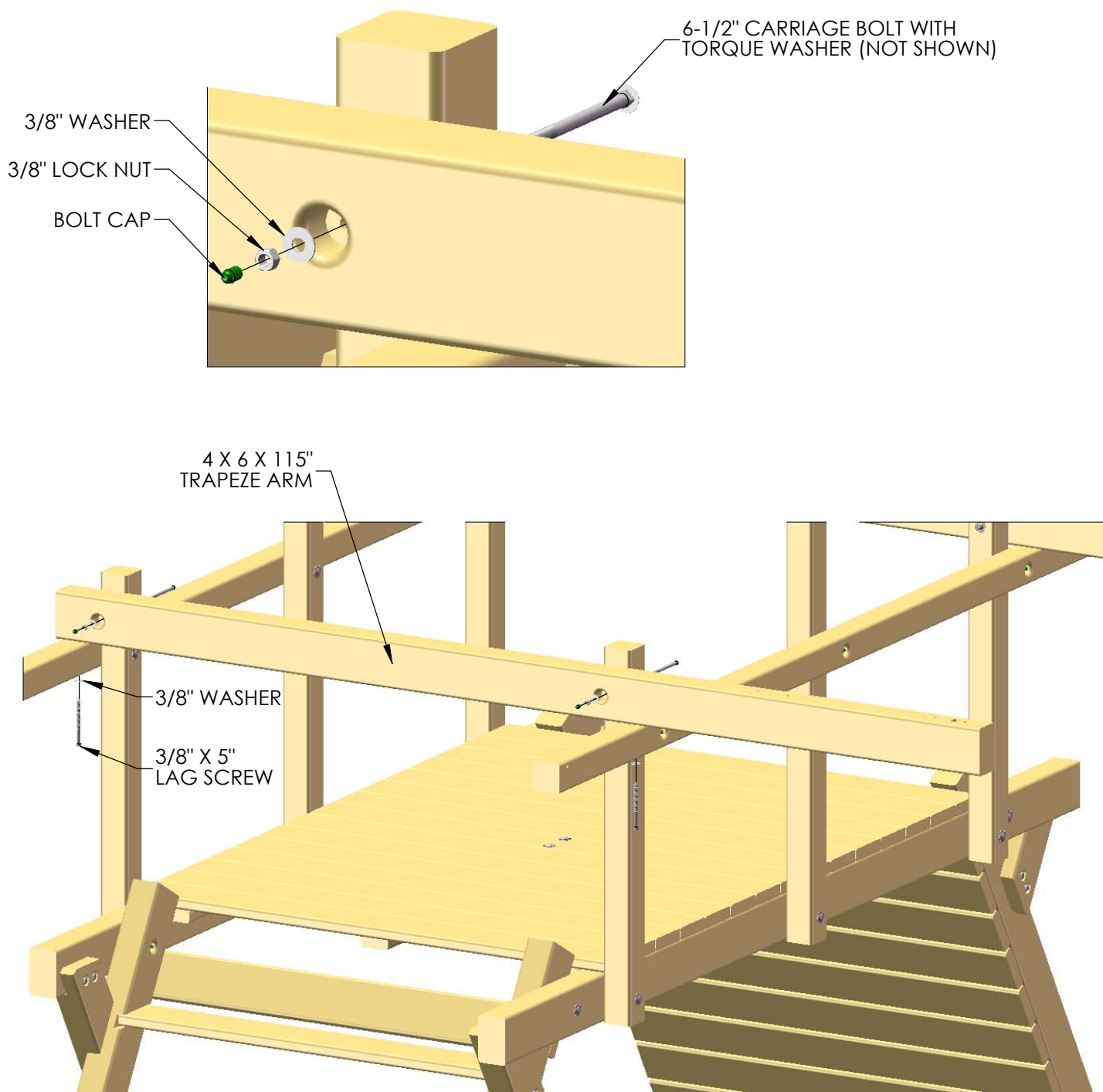
3: AFTER SECURING THE ROPE LADDER SUPPORT, USE 3/8 X 5" LAG SCREWS WITH 3/8" WASHERS FROM UNDERNEATH THE SIDE RAILS IN THE COUNTER-SUNK HOLES TO FULLY SECURE THE ROPE LADDER SUPPORT TO THE FORT.

4: COVER ANY EXPOSED THREADS WITH BOLT CAPS.



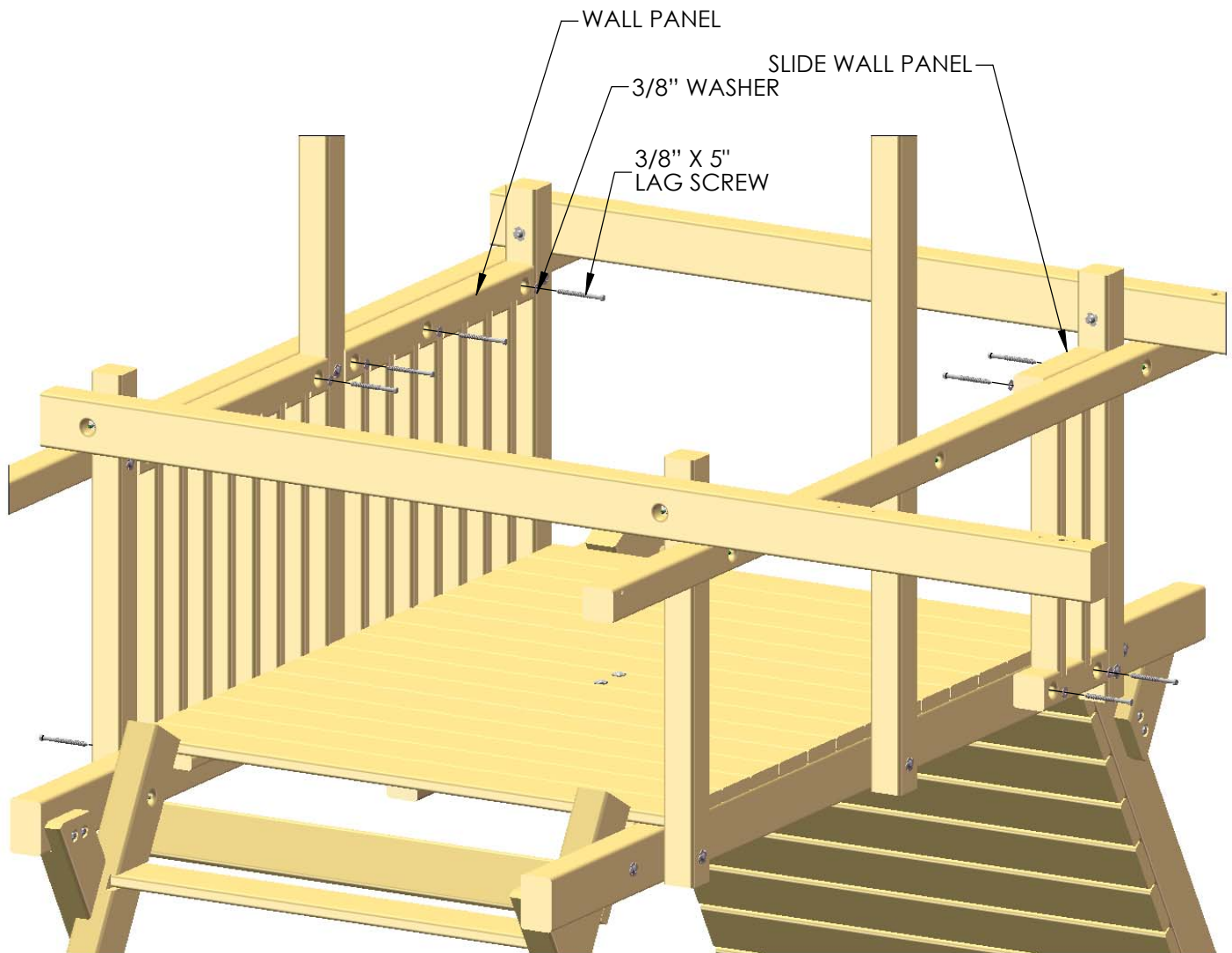
STEP 10: TRAPEZE ARM

- 1: PLACE THE 4 X 6 X 115" TRAPEZE ARM AGAINST THE CORNER UPRIGHTS ON THE OPPOSITE SIDE OF THE ROPE LADDER SUPPORT, LINING UP THE PILOT HOLES.
- 2: FASTEN THE TRAPEZE ARM TO THE CORNER UPRIGHTS USING 6-1/2" CARRIAGE BOLTS WITH TORQUE WASHERS FROM THE INSIDE OF THE FORT, AND 3/8" LOCK NUTS WITH 3/8" WASHERS FROM THE OUTSIDE.
- 3: AFTER SECURING THE TRAPEZE ARM, USE 3/8 X 5" LAG SCREWS WITH 3/8" WASHERS FROM UNDERNEATH THE SIDE RAILS IN THE COUNTER-SUNK HOLES TO FULLY SECURE THE TRAPEZE ARM TO THE FORT.
- 4: COVER ANY EXPOSED THREADS WITH BOLT CAPS.



STEP 11: WALL PANELS

- 1: FIND THE TWO LARGE WALL PANELS AND ONE SLIDE WALL PANEL.
- 2: THE TOPS OF THE WALL PANELS WILL MOUNT FLUSH TO THE TOP OF THE SIDE RAILS BETWEEN THE CENTER AND CORNER UPRIGHTS WITH 3/8 X 5" LAG SCREWS WITH 3/8" WASHERS.
- 3: FINISH ATTACHING THE WALL PANELS TO THE UNIT WITH 3/8 X 5" LAG SCREWS INTO THE MAIN FLOOR SUPPORTS.
- 4: THE SLIDE WALL PANEL WILL MOUNT FLUSH TO THE TOP OF THE SIDE RAIL, NEXT TO THE CORNER UPRIGHT, ON THE ROCK WALL SIDE OF THE FORT WITH 3/8 X 5" LAG SCREWS AND 3/8" WASHERS.
- 5: FINISH ATTACHING THE SLIDE WALL PANEL TO THE UNIT WITH 3/8 X 5" LAG SCREWS INTO THE MAIN FLOOR SUPPORTS.



STEP 12: ROOF SUPPORTS

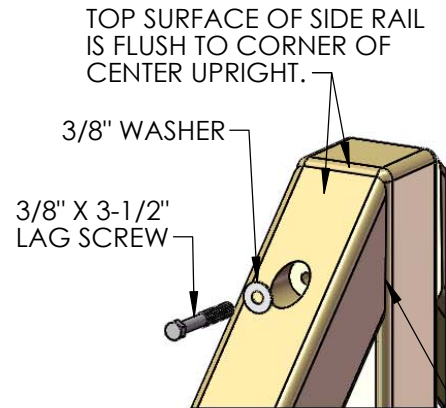
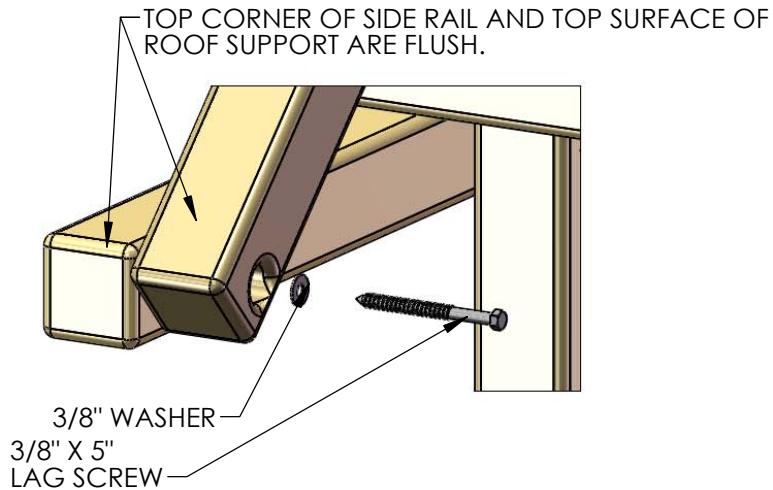
1: FIND FOUR 4 X 4 X 84" ROOF SUPPORTS. THERE ARE TWO FOR THE LEFT SIDE AND TWO FOR THE RIGHT. IT WILL BE HELPFUL TO HAVE AN ASSISTANT HOLD THE ROOF SUPPORT WHILE YOU FASTEN IT TO THE FORT. PREDRILLING A 1/4" HOLE PARTIALLY IN THE BOARDS RECEIVING LAG SCREW WILL, A) MAKE DRIVING IN THE LAG SCREWS EASIER BY HAND AND B) PREVENT POSSIBLE SPLITS IN THE BOARDS.

2: POSITION THE ROOF SUPPORTS SO THAT THE ANGLED END WILL REST FLUSH AGAINST THE CENTER UPRIGHTS, AND THE COUNTERBOREDHOLES AT THE BOTTOM WILL BE FACING TOWARDS THE INSIDE OF THE UNIT.

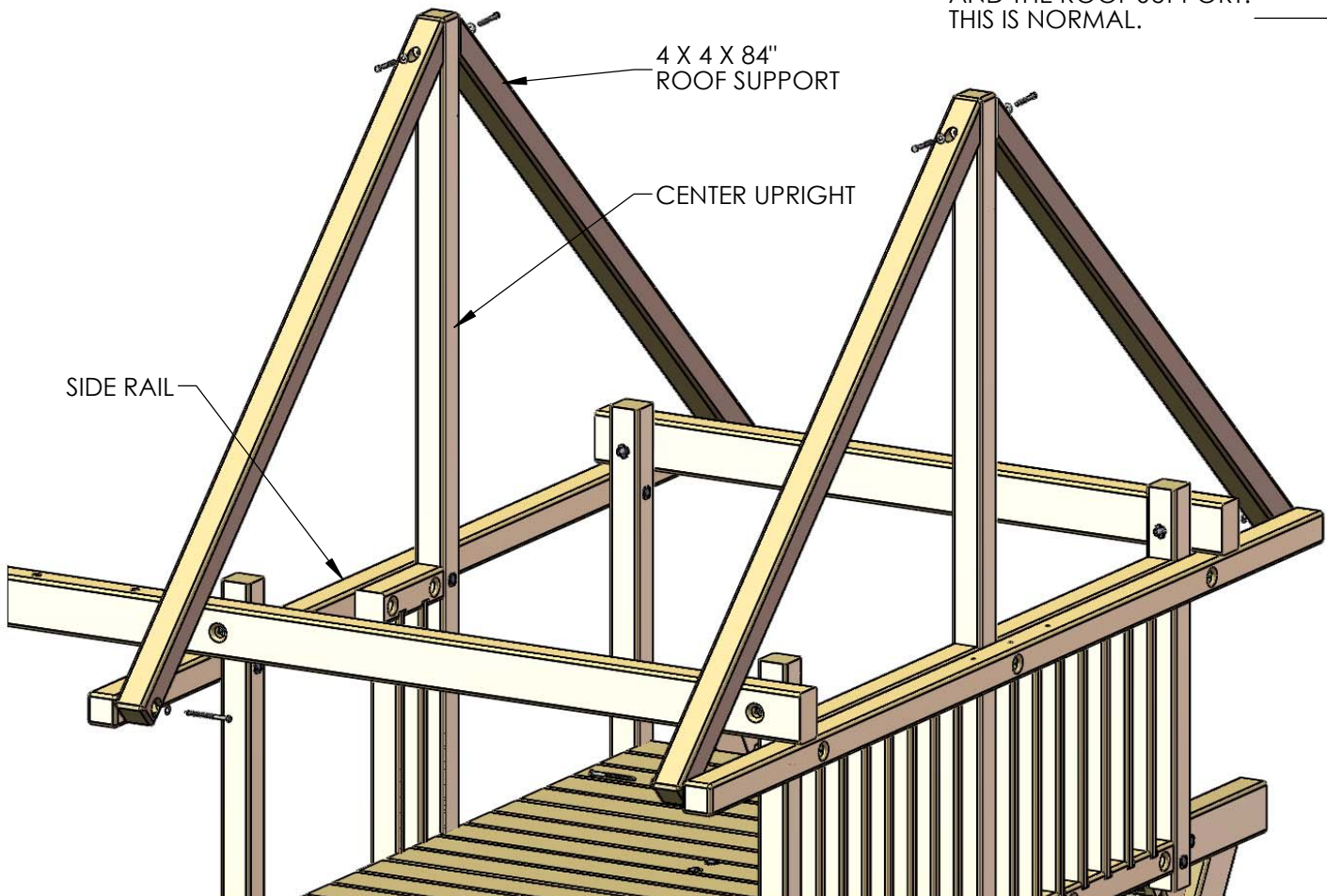
3: FASTEN THE TOP OF EACH ROOF SUPPORT TO THE CENTER UPRIGHTS WITH 3/8" X 3-1/2" LAG SCREWS AND 3/8" WASHERS. **DO NOT TIGHTEN COMPLETELY!**

4: FASTEN THE BOTTOM OF EACH ROOF SUPPORT TO THE SIDE RAILS WITH 3/8" X 5" LAG SCREWS AND 3/8" WASHERS.

5: GO BACK AND SNUG DOWN THE 3/8" X 3-1/2" LAG SCREWS AT THE TOP OF EACH ROOF SUPPORT. YOU DO NOT HAVE TO TIGHTEN THEM SO TIGHT THAT THE SMALL GAP IS CLOSED BETWEEN THE ROOF SUPPORT AND CENTER UPRIGHT. A SMALL GAP BETWEEN THESE BOARDS IS NORMAL.



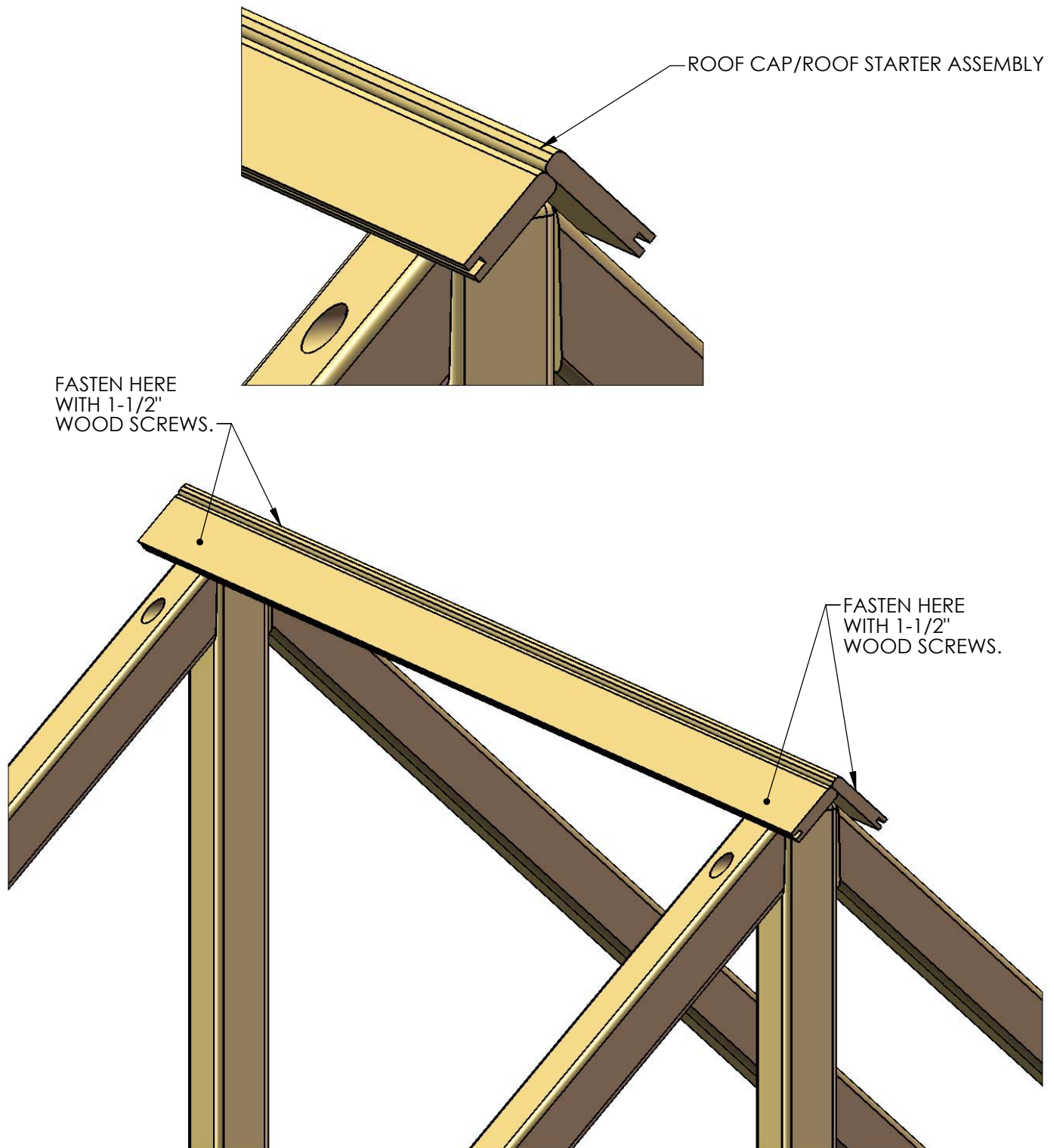
A SMALL GAP WILL BE HERE BETWEEN THE CENTER UPRIGHT AND THE ROOF SUPPORT. THIS IS NORMAL.



STEP 13: ROOF STARTER ASSEMBLY

1: PLACE THE ROOF STARTER ASSEMBLY CENTERED ON TOP OF THE ROOF SUPPORTS.

2: ATTACH THE ROOF CAP/ROOF STARTER ASSEMBLY TO THE ROOF SUPPORTS WITH FOUR 1-1/2" WOOD SCREWS.



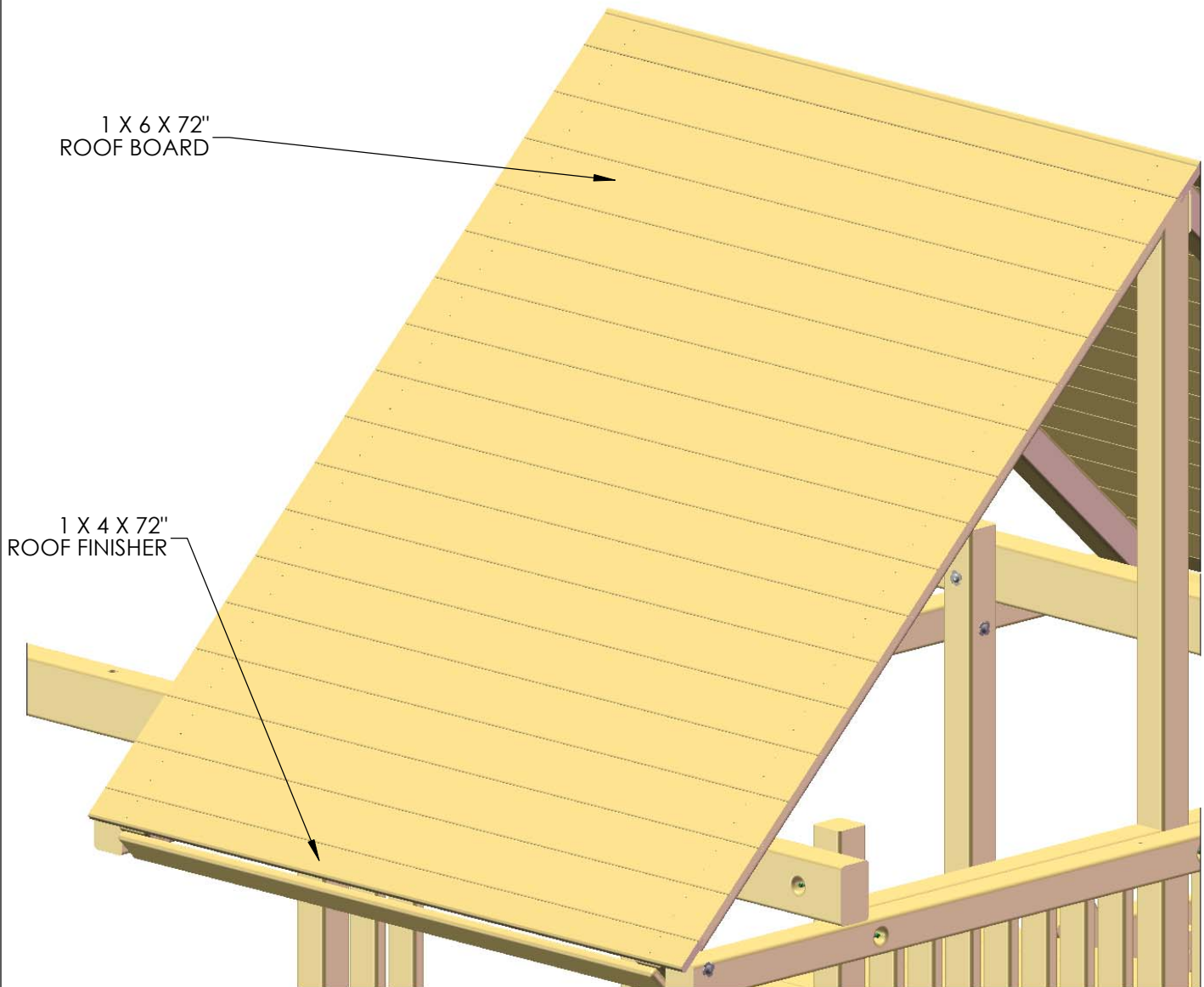
STEP 14: ROOF

1: FIND THIRTY-TWO 1 X 6 X 72" TONGUE-IN-GROOVE ROOF BOARDS, TWO 1 X 4 X 72" TONGUE-ONLY ROOF FINISHERS, AND TWO 5/4 X 4 X 65" ROOF END CAPS.

2: PLACE THE 1 X 6 X 72" ROOF BOARDS ON TOP OF THE ROOF SUPPORTS, FITTING THE TONGUE END INTO THE GROOVE END OF THE ROOF STARTERS. EACH SIDE OF THE ROOF GETS SIXTEEN ROOF BOARDS.

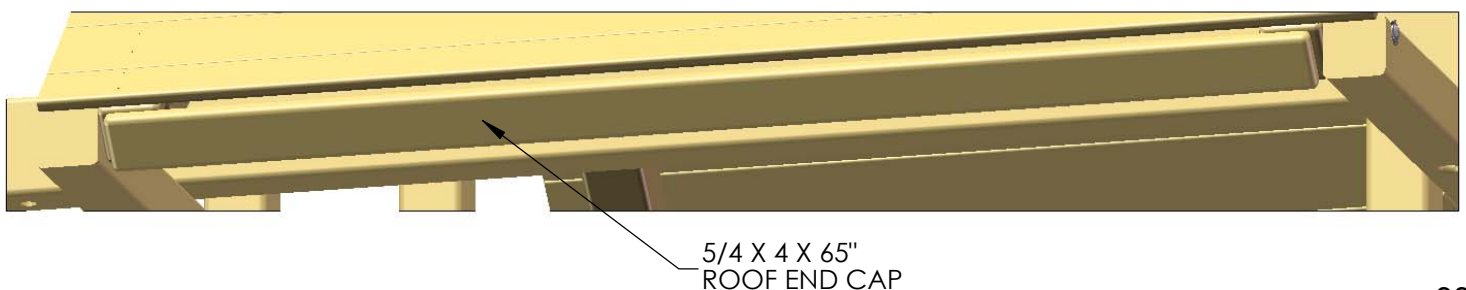
3: FASTEN THE ROOF BOARDS TO THE ROOF SUPPORTS WITH 1-1/2" WOOD SCREWS.

4: PLACE A 1 X 4 X 72" ROOF FINISHER ON EACH END OF THE ROOF, AND FASTEN WITH 1-1/2" WOOD SCREWS.



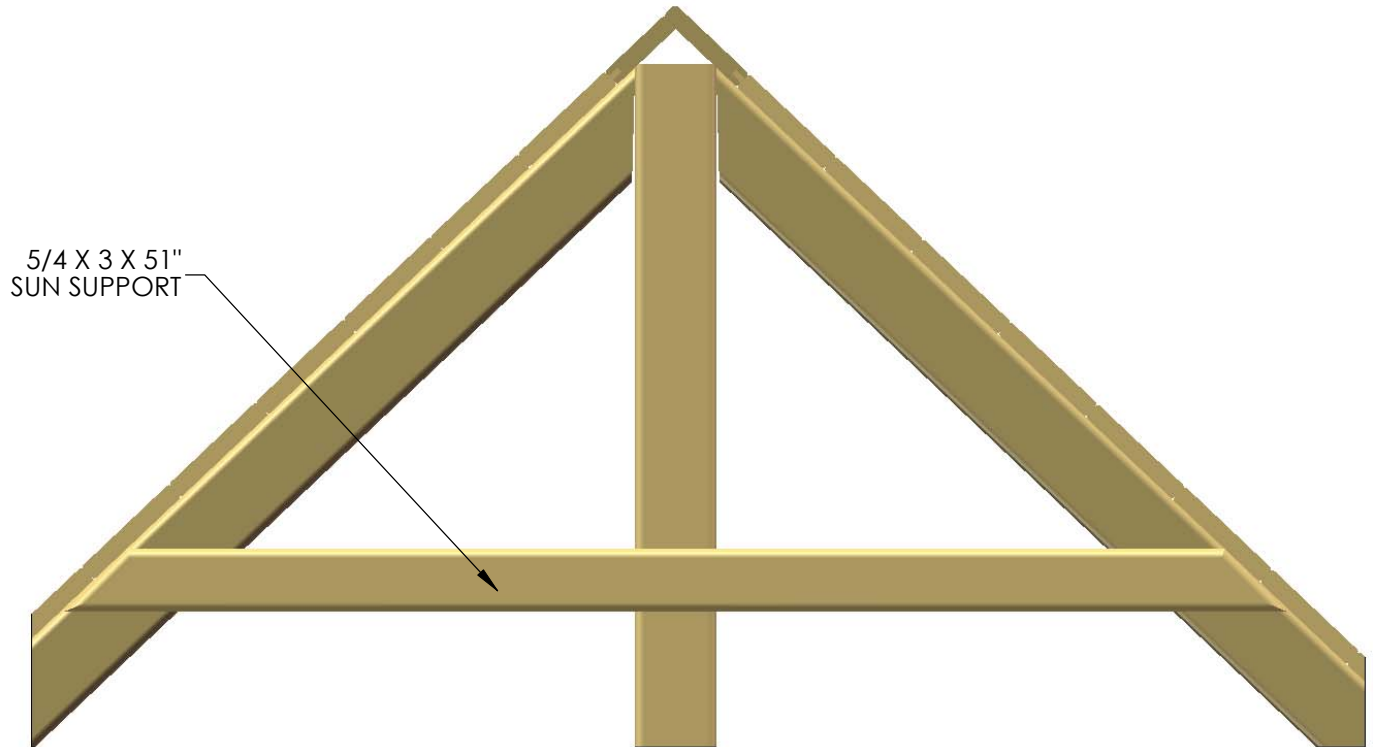
5: PLACE THE ROOF END CAPS AT THE ENDS OF THE ROOF SUPPORTS, CENTERED BETWEEN THE SIDE RAILS.

6: FASTEN THE ROOF END CAPS TO THE ROOF SUPPORTS WITH 2" WOOD SCREWS



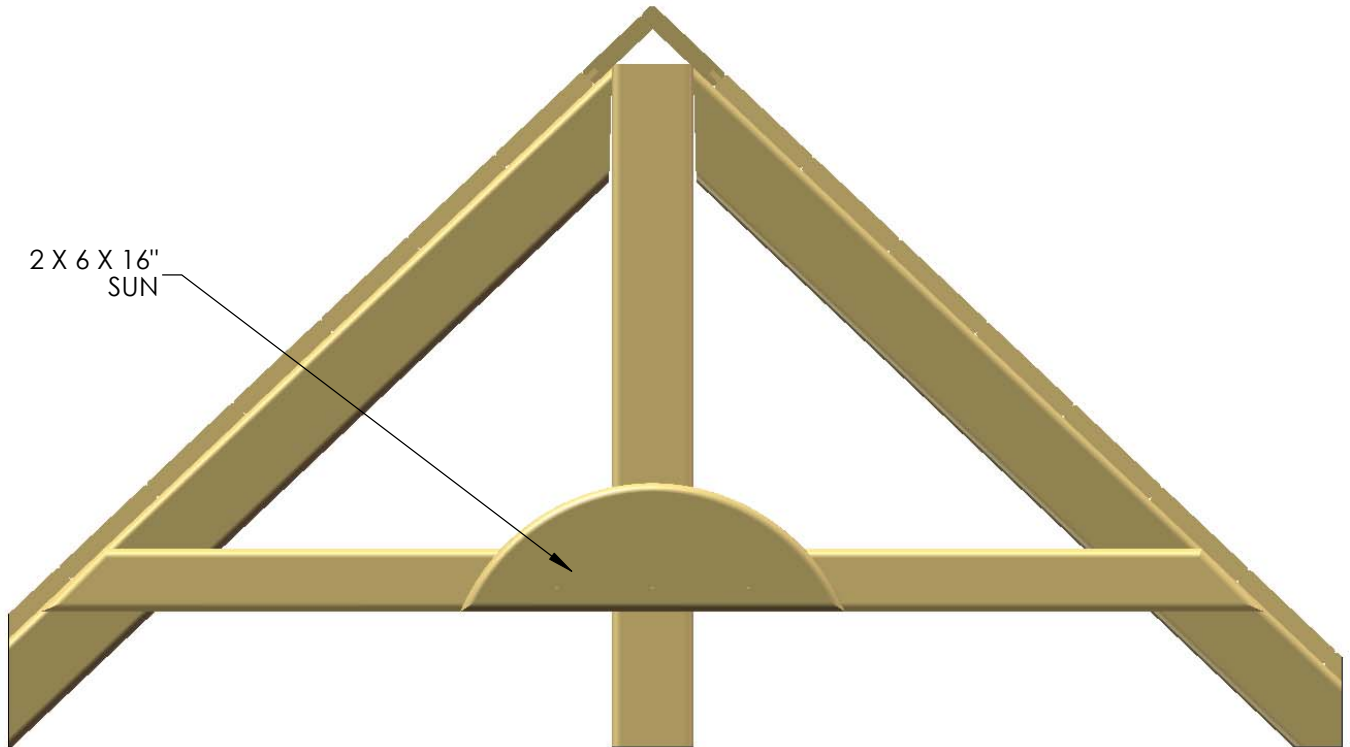
STEP 15: SUNBURST

- 1: FIND TWO 5/4 X 3 X 51" SUN SUPPORTS.
- 2: PLACE THE SUN SUPPORTS ON THE OUTSIDE OF THE FORT, AGAINST THE ROOF SUPPORTS AND CENTER UPRIGHT. THE ANGLED ENDS OF THE SUN SUPPORT WILL REST UNDERNEATH THE ROOF BOARDS.
- 3: BEFORE ATTACHING TO THE FORT, MAKE SURE THE SUN SUPPORT IS LEVEL.
- 4: ATTACH THE SUN SUPPORT TO THE ROOF SUPPORTS WITH 2" WOOD SCREWS.



STEP 16: SUNBURST

- 1: FIND TWO 2 X 6 X 16" SUNS.
- 2: PLACE THE SUN ON THE OUTSIDE OF THE SUN SUPPORT, CENTERED TO THE CENTER UPRIGHT.
- 3: ATTACH THE SUN TO THE SUN SUPPORT WITH 2-1/2" WOOD SCREWS

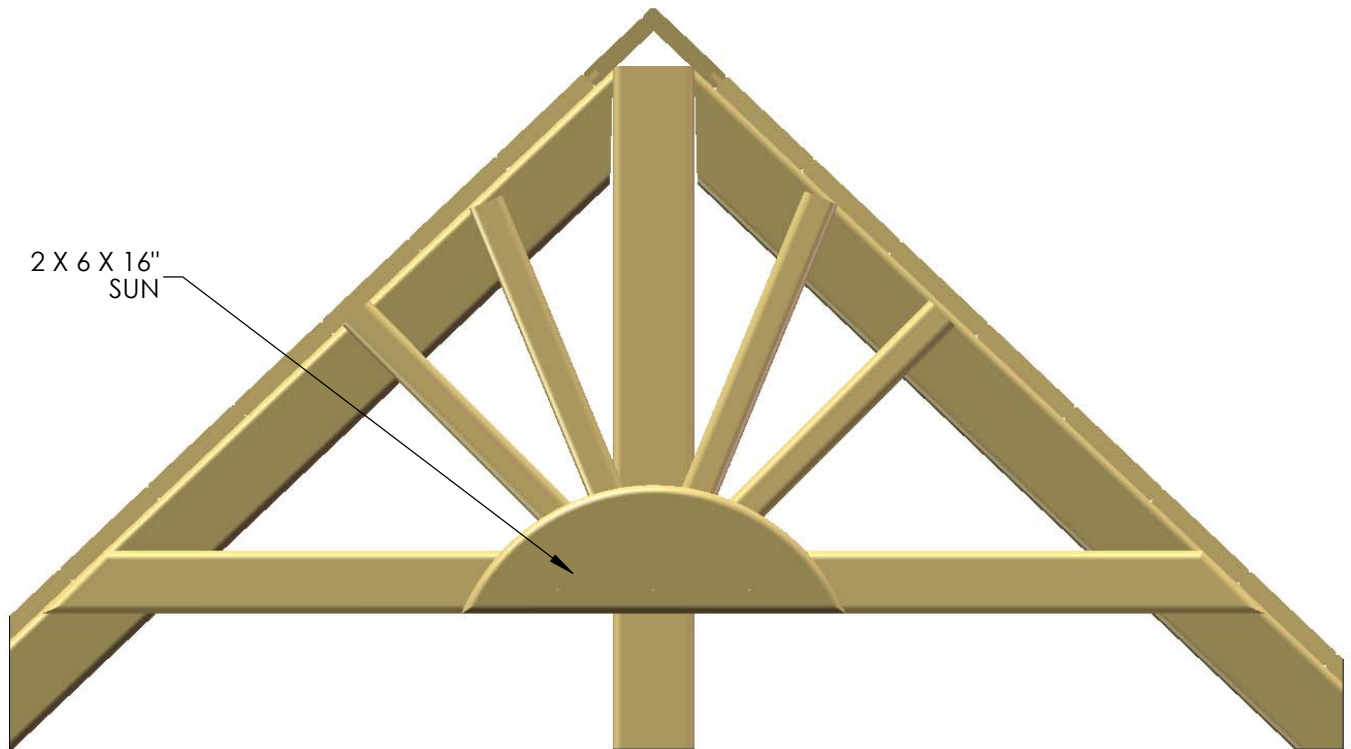


STEP 17: SUNBURST

1: FIND FOUR 5/4 X 2 X 14" LARGE RAYS, AND FOUR 5/4 X 2 X 13" SMALL RAYS.

2: PLACE THE LARGE RAYS BETWEEN THE CENTER UPRIGHT AND SUN AT AN ANGLE THAT ALLOWS THEM TO TOUCH THE ROOF PEAK AND NOT EXTEND PAST THE CENTER OF THE SUN. THE SMALL RAYS WILL INSTALL IN THE SAME MANNER AS THE LARGE RAYS. SEE BELOW FOR EXAMPLE.

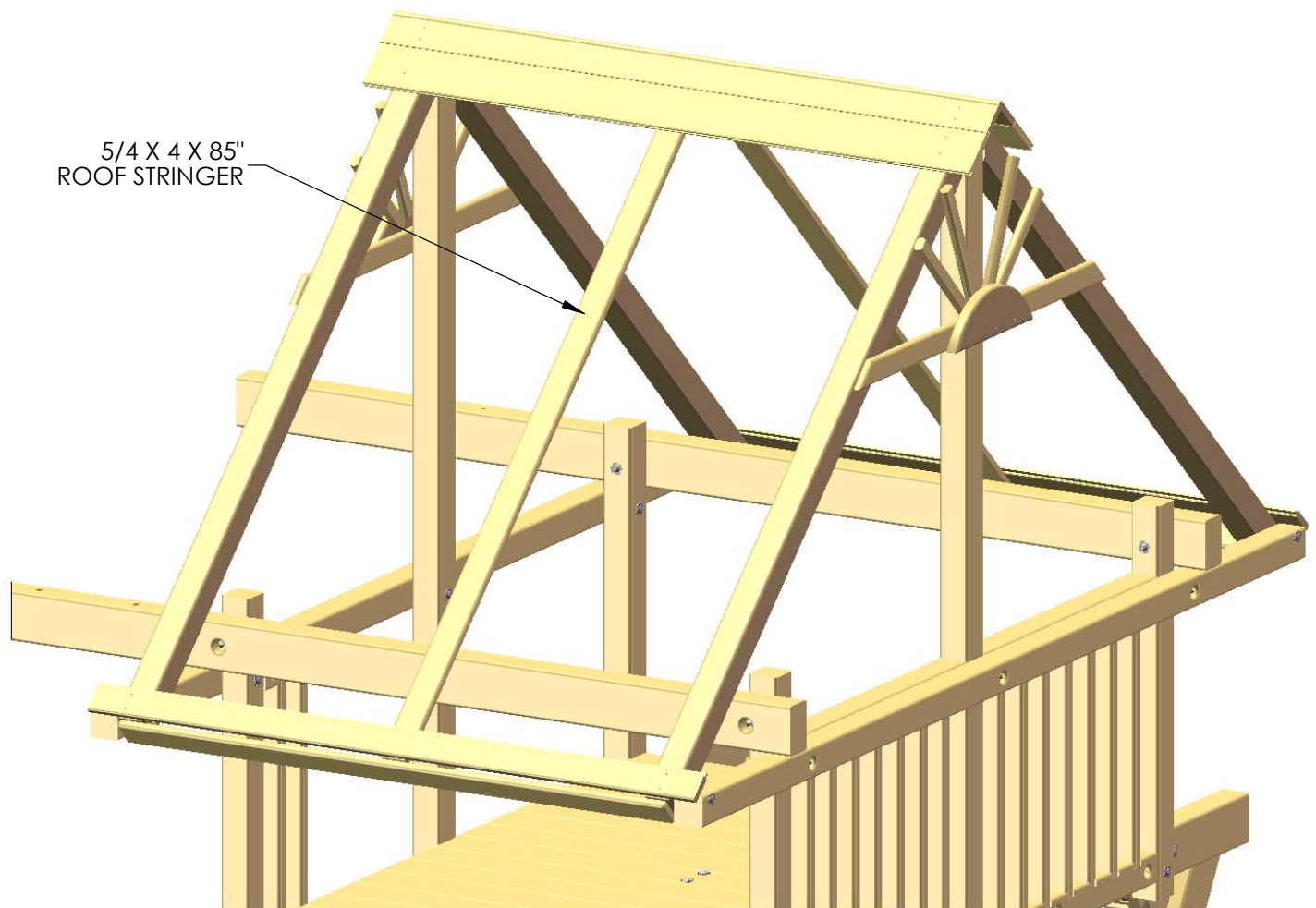
3: ATTACH ALL RAYS WITH 2" WOOD SCREWS



STEP 18: ROOF STRINGERS

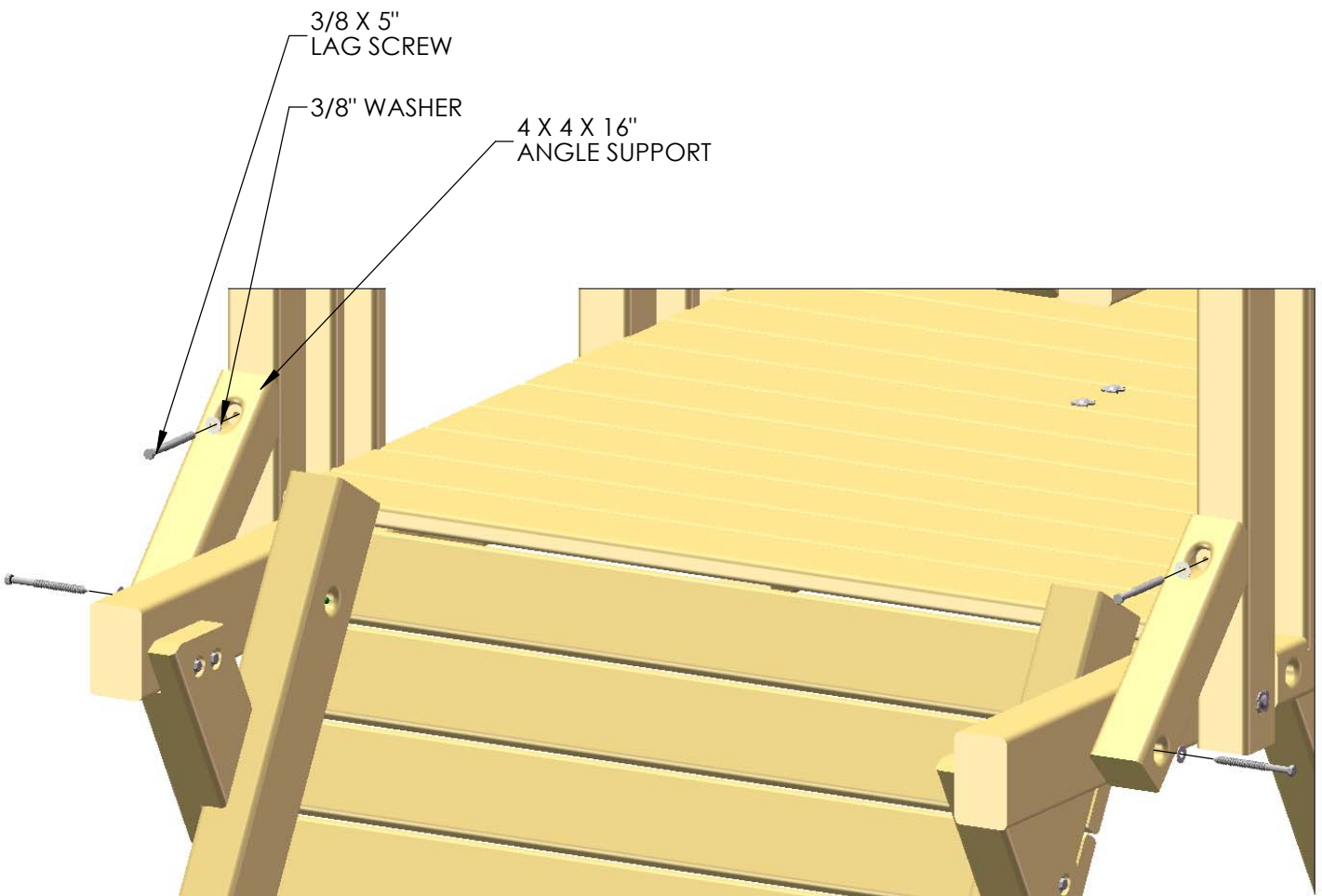
- 1: FIND TWO 5/4 X 4 X 85" ROOF STRINGERS.
- 2: CENTER THE ROOF STRINGERS FROM INSIDE THE PORT ON THE ROOF BOARDS.
- 3: ATTACH THE ROOF STRINGER TO THE ROOF BOARDS WITH 1-1/2" WOOD SCREWS, USING TWO SCREWS PER ROOF BOARD.

ROOF BOARDS HIDDEN FROM VIEW
FOR ASSEMBLY CLARITY



STEP 19: ANGLE SUPPORTS

- 1: FIND FOUR 4 X 4 X 16" ANGLE SUPPORTS. THERE ARE TWO FOR THE LEFT SIDE AND TWO FOR THE RIGHT.
- 2: POSITION THE ANGLE SUPPORTS SO THAT THE ANGLED END WILL REST FLUSH AGAINST THE CORNER UPRIGHTS, AND THE COUNTER-SUNK HOLES WILL BE FACING TOWARDS THE OUTSIDE OF THE UNIT.
- 3: USE 3/8 X 5" LAG SCREWS WITH 3/8" WASHERS TO ATTACH THE ANGLE SUPPORTS TO THE FORT.

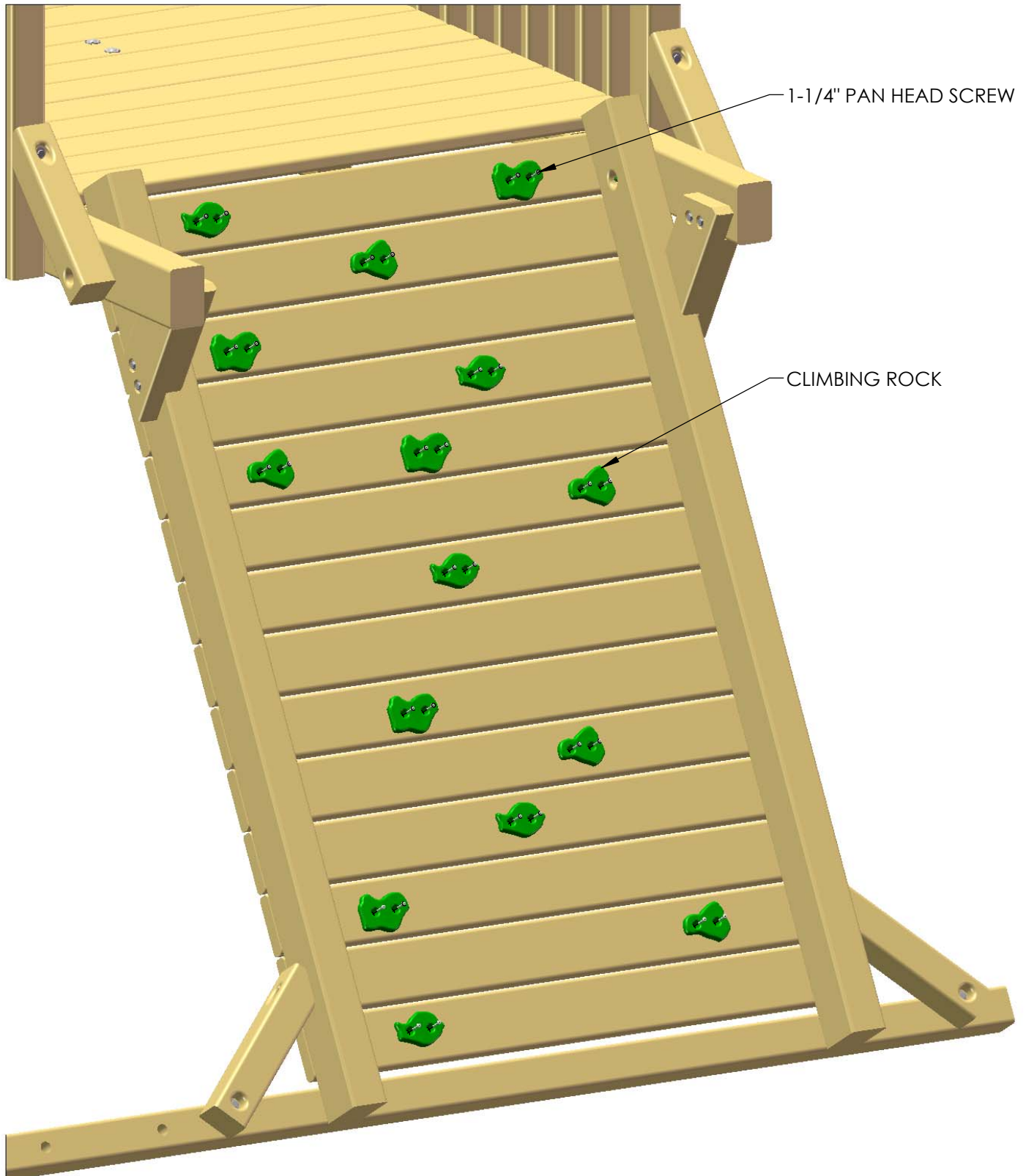


STEP 20: CLIMBING ROCKS

1: FIND FIFTEEN ROCKS AND THIRTY 1-1/4" PAN HEAD SCREWS.

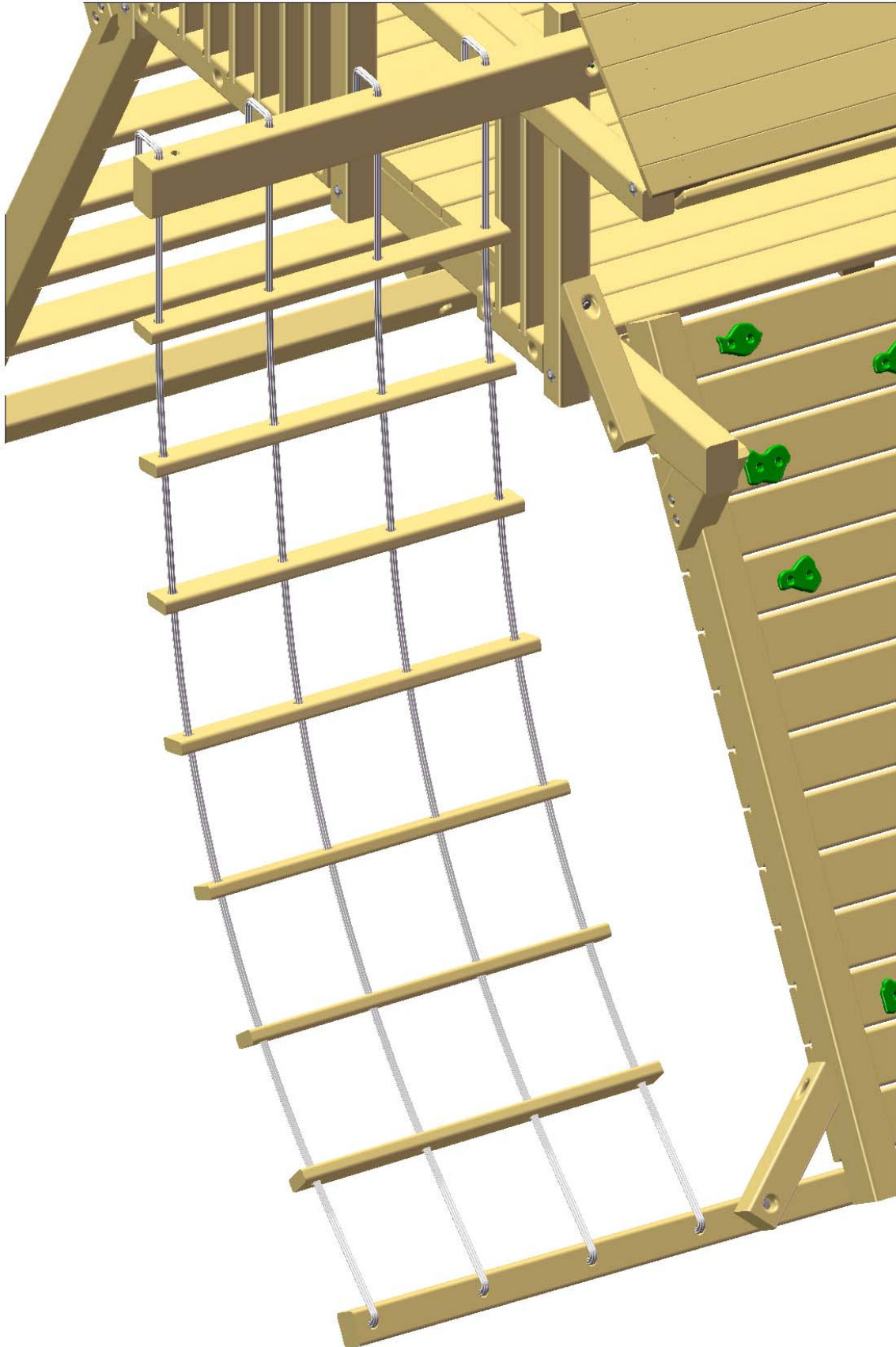
2: MOUNT THE ROCKS IN A STAGGERED MANNER ON THE ROCK WALL BOARDS. TWO PAN HEAD SCREWS WILL SECURE EACH ROCK TO THE WALL.

NOTE: THE IMAGE SHOWN BELOW IS A GENERIC ARRANGEMENT OF ROCKS ON THE ROCK WALL. YOUR ACTUAL CONFIGURATION MAY BE DIFFERENT THAT WHAT YOU SEE BELOW. ROCKS CAN BE ARRANGED IN ANY PATTERN AS LONG AS THEY WILL ALLOW PROPER ACCESS TO THE FORT. BE CREATIVE!



STEP 21: ROPE LADDER

- 1: THREAD THE ROPE THROUGH THE HOLES IN THE ROPE LADDER SUPPORT FROM THE BOTTOM THROUGH THE TOP. FORM A SECURE KNOT AT THE TOP OF THE ROPE LADDER SUPPORT.
- 2: THREAD THE ROPE THROUGH THE HOLES IN THE ROPE LADDER RUNNER FROM THE FRONTSIDE OF THE ROPE LADDER RUNNER, THROUGH THE BACK SIDE. TIE A SECURE KNOT AT THE BACK SIDE OF THE ROPE LADDER RUNNER.
- 3: MAKE SURE THAT ALL THE RUNGS ARE LEVEL, AND THAT THE ROPES ARE TIED TIGHT. IDEAL TIGHTNESS IS WHEN YOU CAN NO LONGER WRAP THE ROPE AROUND YOUR HAND.

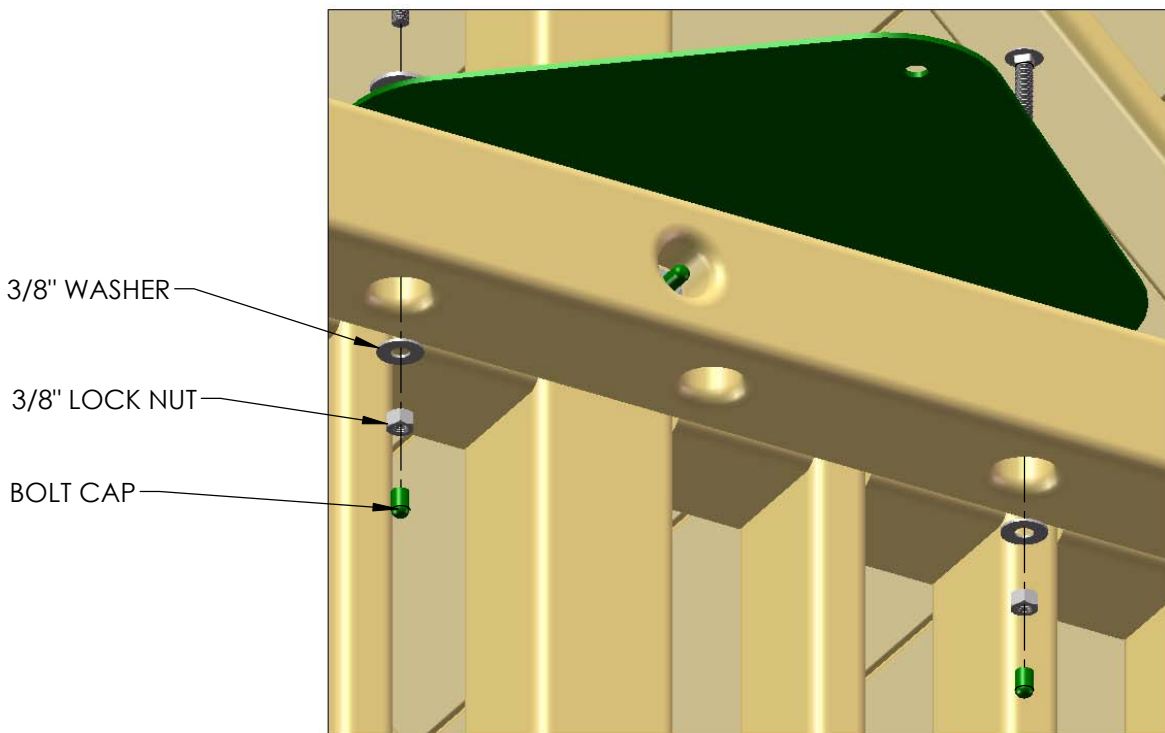
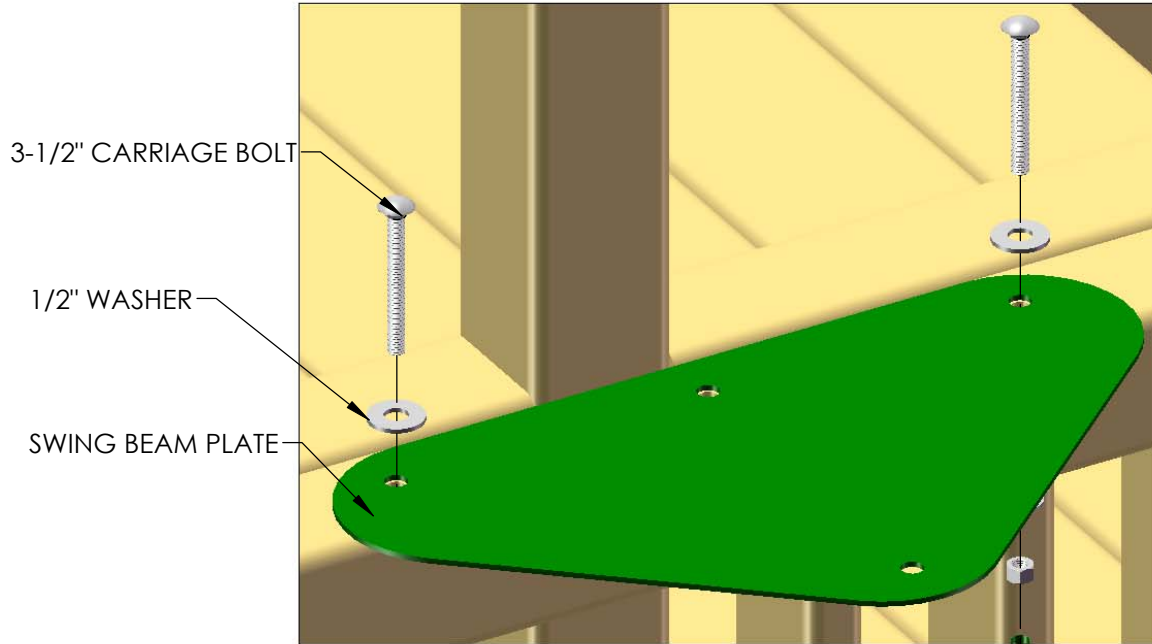


STEP 22: SWING BEAM PLATE

1: PLACE THE SWING BEAM PLATE ON TOP OF THE SWING BEAM SIDE RAIL, LINING UP PILOT HOLES.

2: FASTEN THE SWING BEAM PLATE TO THE SWING BEAM SIDE RAIL ON THE OUTSIDE HOLES USING 3-1/2" CARRIAGE BOLTS WITH 1/2" WASHERS ON TOP, AND 3/8" WASHERS AND 3/8" LOCK NUTS ON THE BOTTOM. PLACE GREEN BOLT COVERS OVER EXPOSED THREADS AFTER SECURING.

3: LEAVE THE MIDDLE HOLE EMPTY, IT WILL BE USED LATER.

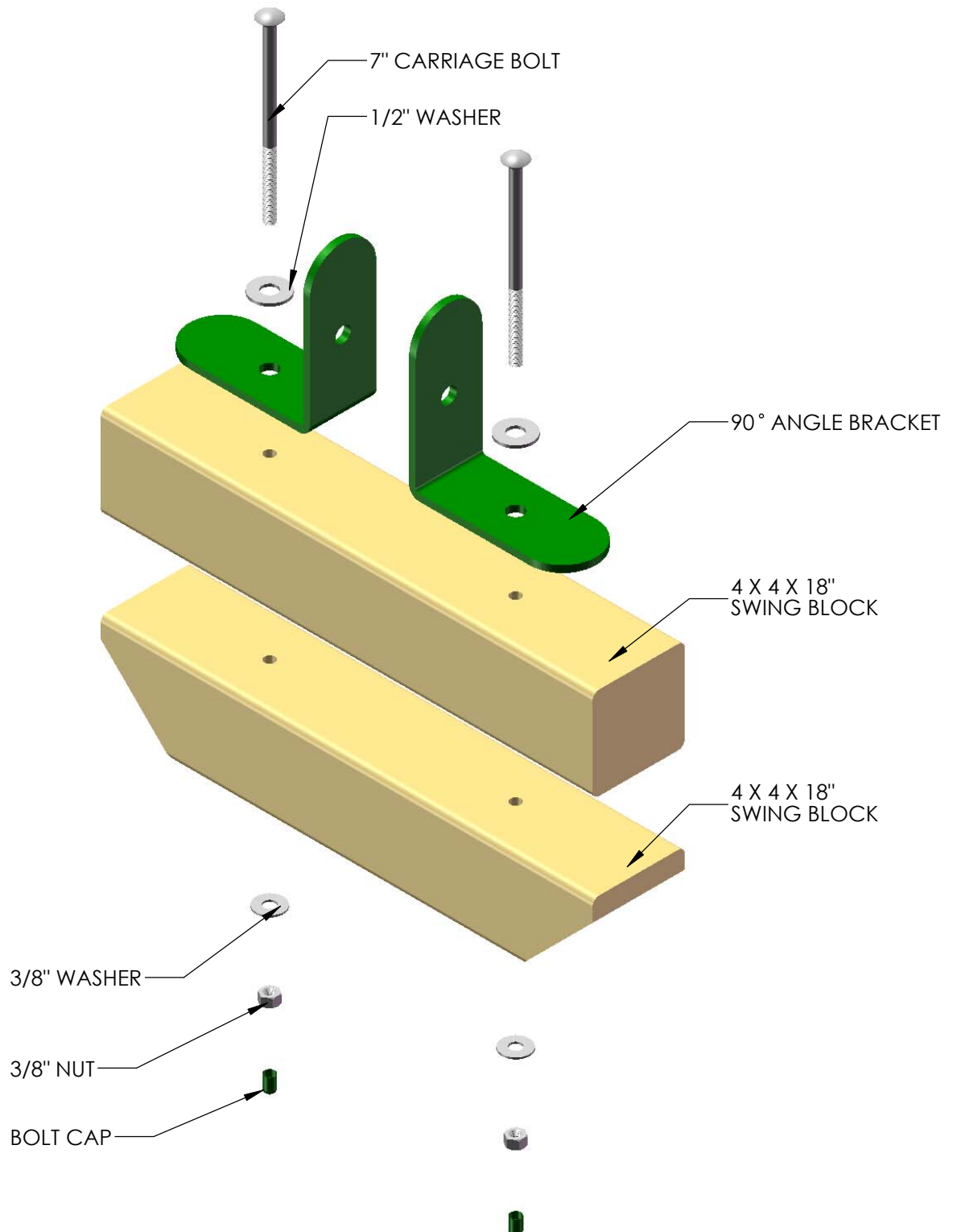


STEP 23: SWING BEAM

1: BOLT SWING BEAM BLOCK SUPPORTS TOGETHER WITH 7" CARRIAGE BOLTS AND 1/2" WASHERS THROUGH THE 90° ANGLE BRACKETS.

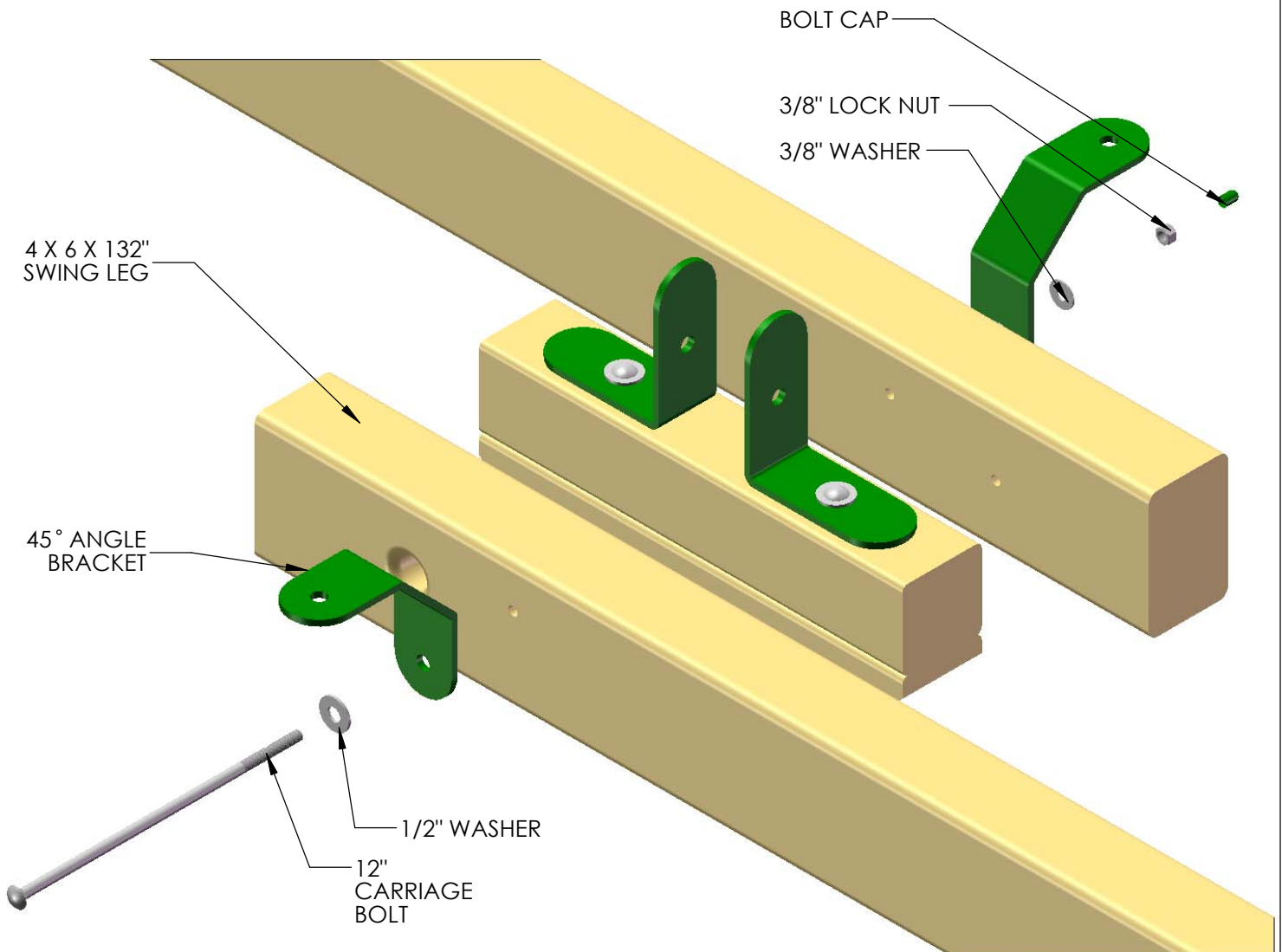
2: USE 3/8" WASHERS AND 3/8" LOCK NUTS ON BOTTOM SIDE OF BLOCK.

3: USE BOLT CAPS TO COVER ANY EXPOSED THREADS



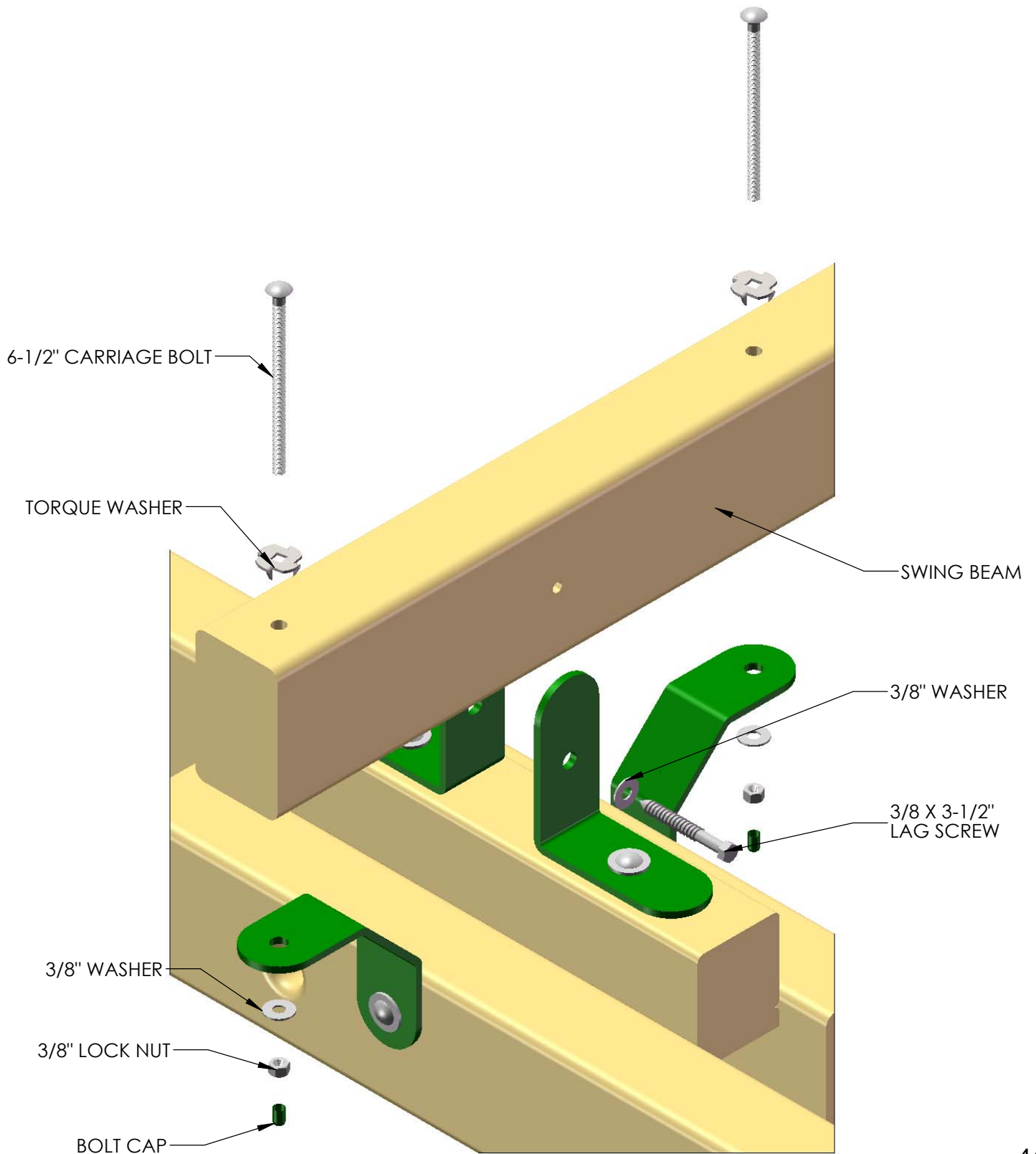
STEP 24: SWING BEAM

- 1: PLACE SWING BEAM BLOCK ASSEMBLY ON THE GROUND.
 - 2: PLACE THE 4 X 6 X 132" SWING BEAM LEGS BESIDE THE BEAM BLOCK WITH THE COUNTER-SUNK HOLES FACING OUT.
 - 3: HOLD IN PLACE AND SLIDE 12" CARRIAGE BOLT WITH 1/2" WASHER THROUGH THE 45° ANGLE BRACE, 4 X 6 LEG, SWING BEAM BLOCK ASSEMBLY, 4 X 6 LEG, AND 45° ANGLE BRACE.
 - 4: USE A 3/8" LOCK NUT WITH A 3/8" WASHER ON THE OPPOSITE SIDE. USE A BOLT CAP TO COVER ANY EXPOSED THREADS.
- NOTE: DO NOT FULLY TIGHTEN THE LOCK NUT AT THIS TIME. THE LEGS WILL NEED TO BE ABLE TO BE ADJUSTED LATER



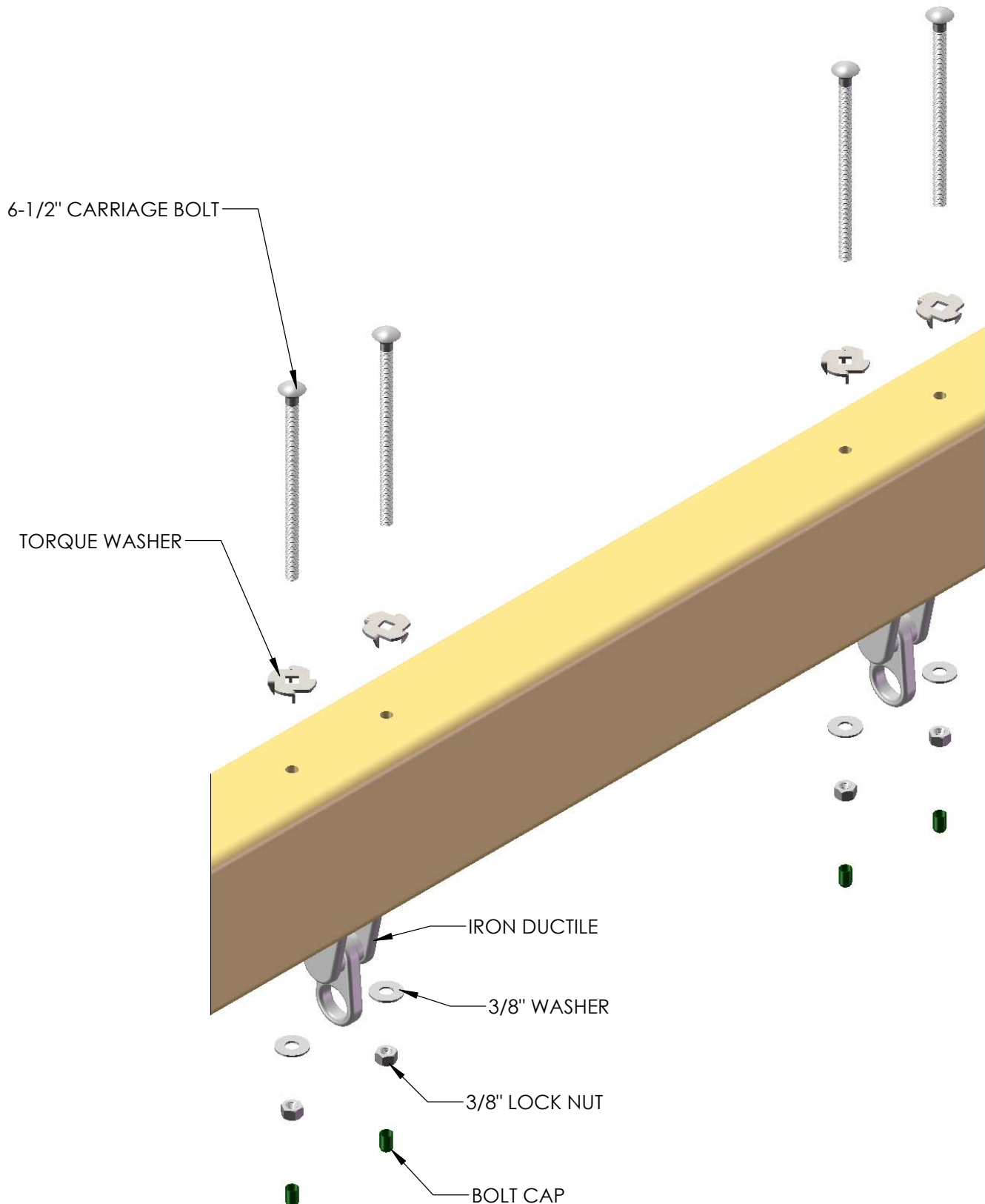
STEP 25: SWING BEAM

- 1: PLACE SWING BEAM BETWEEN 90° SWING BEAM BRACES.
- 2: FASTEN THE SWING BEAM TO THE SWING LEGS FROM THE TOP OF THE SWING BEAM USING 6-1/2" CARRIAGE BOLTS WITH TORQUE WASHERS. USE 3/8" LOCK NUTS WITH 3/8" WASHERS ON THE 45° ANGLE BRACES.
- 3: PLACE BOLT CAPS OVER ANY EXPOSED THREADS.
- 4: USE 3/8 X 3-1/2" LAG SCREWS WITH 3/8" WASHERS IN THE 90° ANGLE BRACKETS. ANGLE THE SCREWS UP OR DOWN SLIGHTLY ON EACH END TO PREVENT INTERFERENCE.



STEP 26: SWING BEAM

- 1: LINE UP THE HOLES OF THE IRON DUCTILES WITH THE HOLES IN THE SWINGBEAM.
- 2: FASTEN THE SWING HANGER TO THE SWING BEAM USING 6-1/2" CARRIAGE BOLTS WITH TORQUE WASHERS, AND 3/8" WASHERS WITH 3/8" LOCK NUTS.
- 3: PLACE BOLT CAPS OVER EXPOSED THREADS.



STEP 27: MOUNT SWING BEAM TO FORT

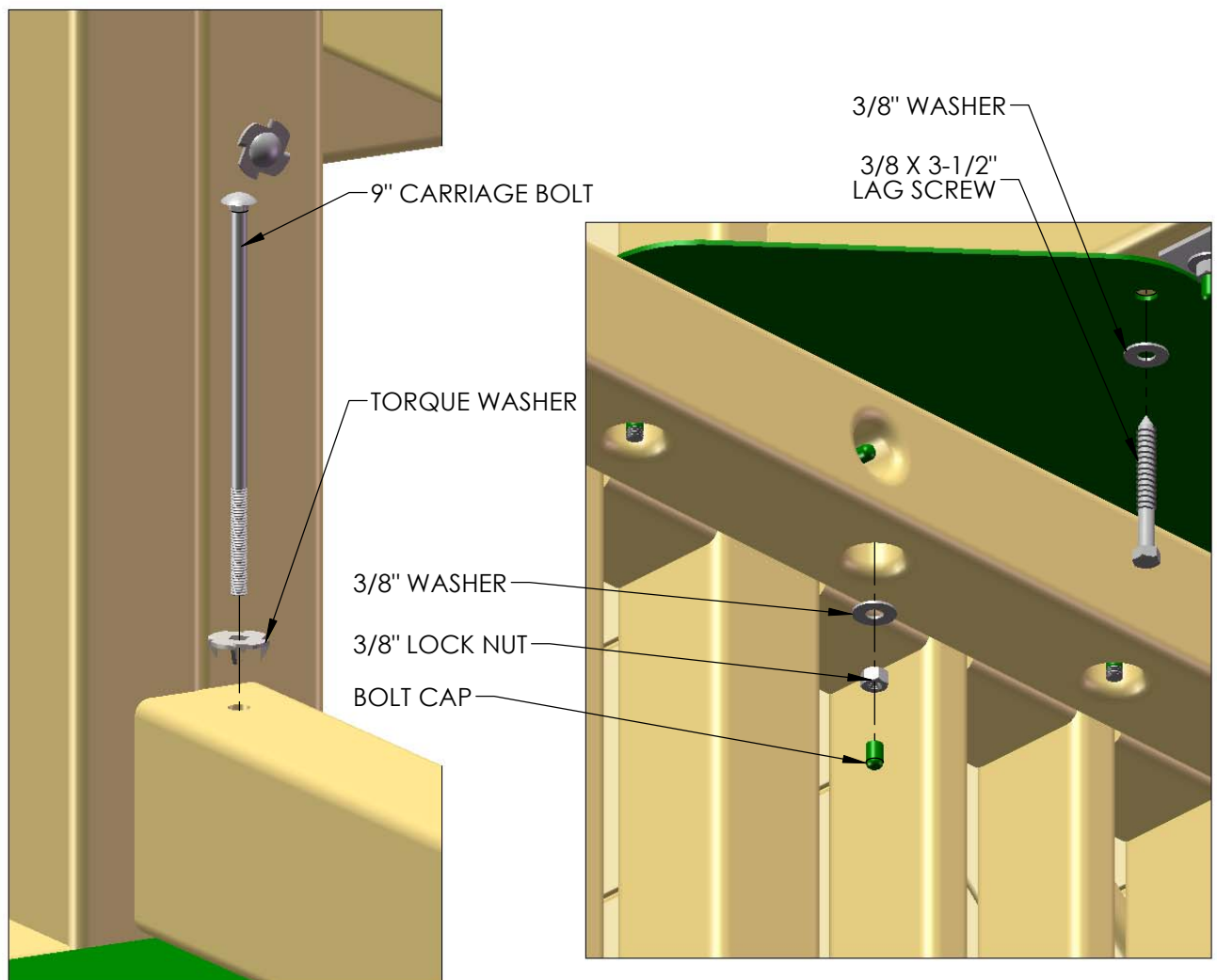
*AN EXTRA PERSON IS REQUIRED FOR THIS STEP

1: PICK UP THE SWING BEAM AND LEG ASSEMBLY. AS YOU LIFT THE BEAM, THE LEGS WILL SCISSOR CLOSER TOGETHER. **KEEP CHILDREN AWAY DURING THIS STEP. AS THE LEGS CLOSE, THEY CREATE A PINCH POINT AND COULD CAUSE SERIOUS INJURY!** PLACE THE END OF THE SWING BEAM ON TOP OF THE SWING BEAM PLATE.

2: LINE UP THE PILOT HOLE ON THE END OF THE SWING BEAM WITH THE MIDDLE HOLE ON THE SWING BEAM PLATE.

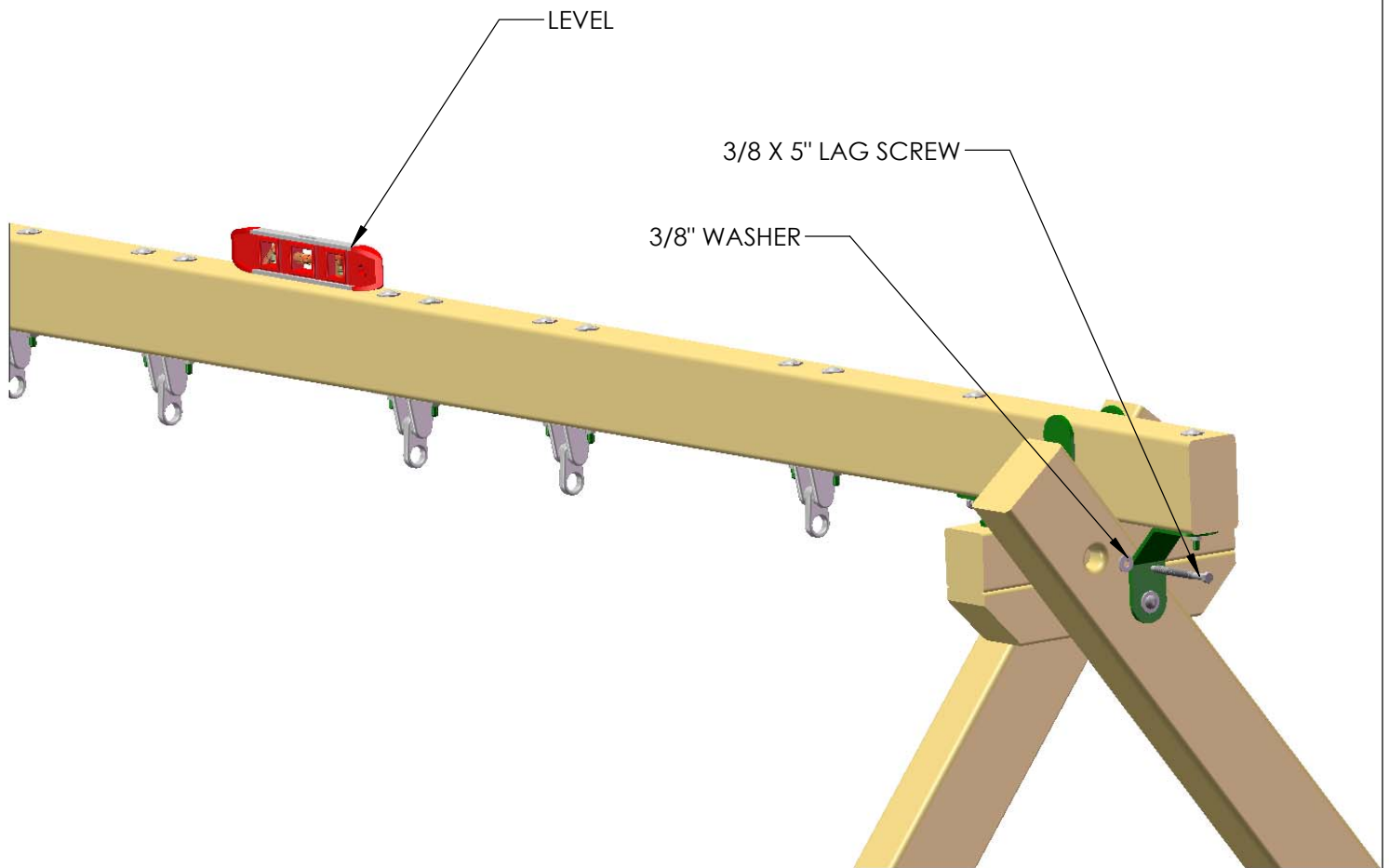
3: FASTEN THE SWING BEAM TO THE SWING BEAM PLATE AND SWING BEAM SIDE RAIL USING A 9" CARRIAGE BOLT WITH A TORQUE WASHER ON TOP AND A 3/8" LOCK NUT AND WASHER ON THE BOTTOM. PLACE GREEN BOLT CAPS OVER EXPOSED THREADS AFTER SECURING.

4: FASTEN THE SWING BEAM TO THE SWING BEAM PLATE FROM UNDERNEATH WITH A 3/8 X 3-1/2" LAG SCREW AND A 3/8" WASHER.



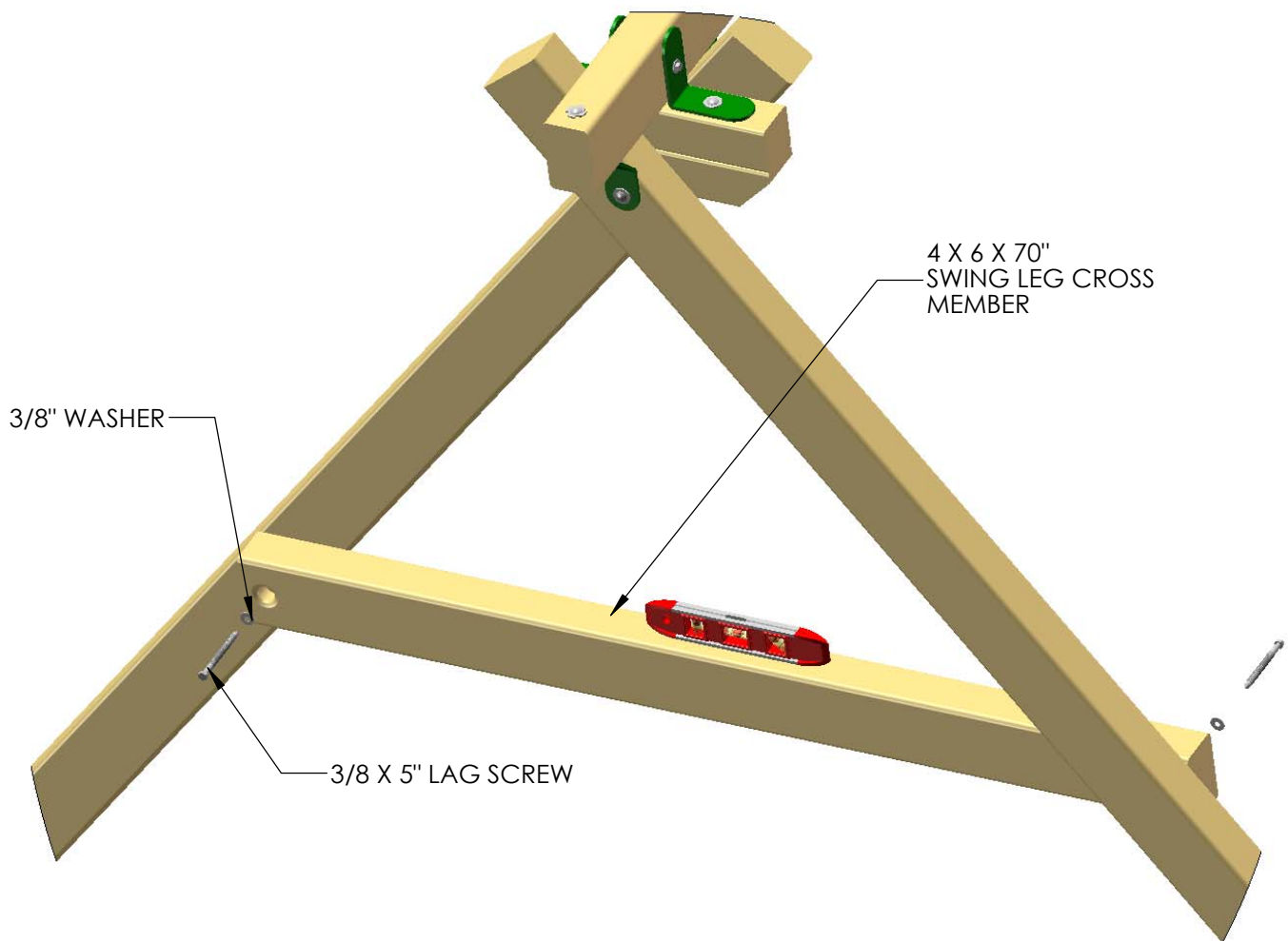
STEP 28: SWING BEAM LEGS

- 1: USE THE SWING BEAM LEGS TO LEVEL THE SWING BEAM.
- 2: FASTEN THE SWING BEAM LEGS TO THE SWING BLOCK ASSEMBLY WITH 3/8 X 5" LAG SCREWS AND 3/8" WASHERS.
- 3: TIGHTEN THE 12" CARRIAGE BOLT THAT WAS INSTALLED EARLIER. YOU MAY NEED TO USE LOCKING PLIERS TO HOLD THE CARRIAGE BOLT IN PLACE WHEN INSTALLING.



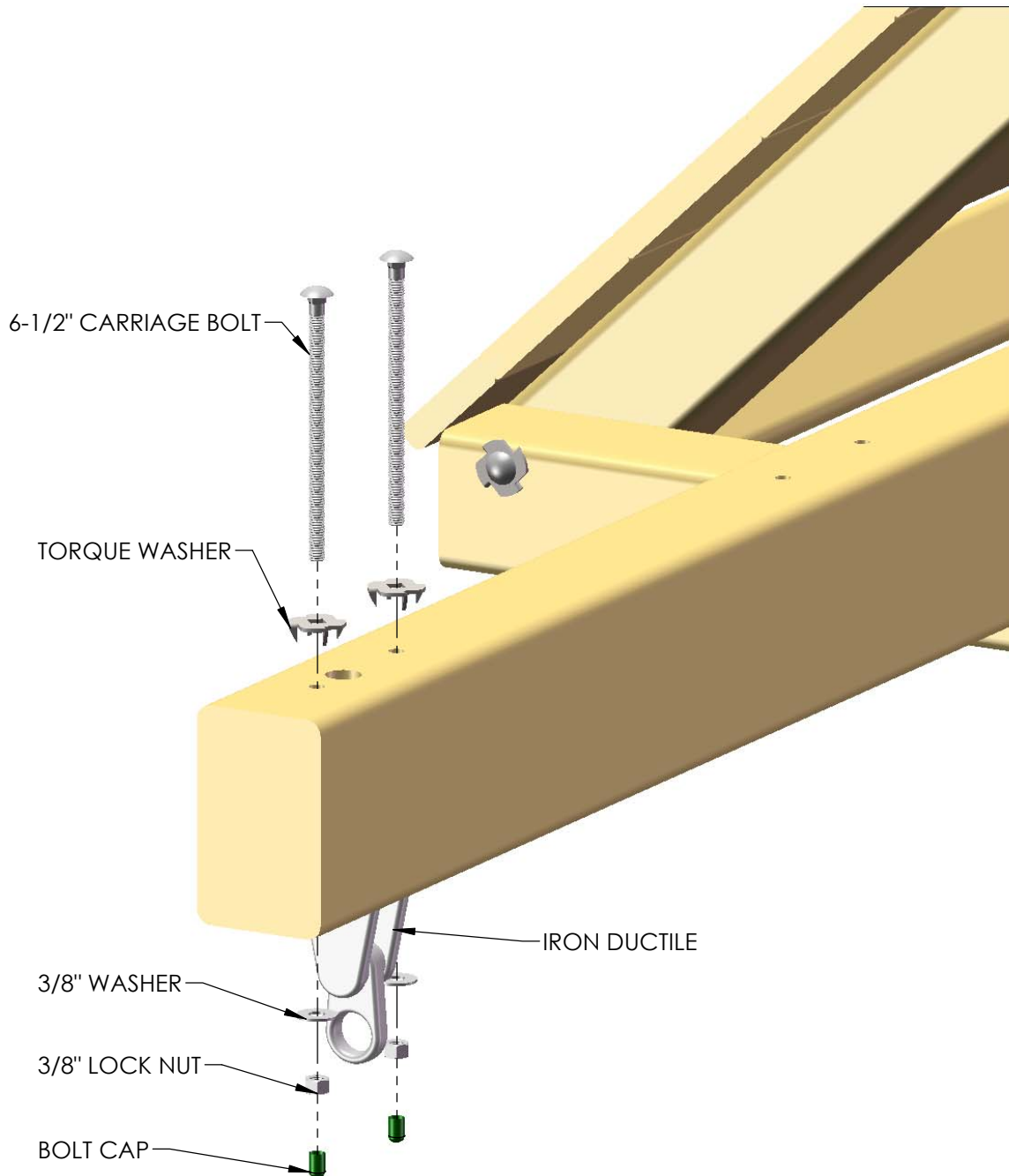
STEP 29: SWING BEAM CROSS MEMBER

1: PLACE THE 4 X 6 X 70" SWING LEG CROSS MEMBER ON THE SWING BEAM LEGS AND LEVEL. FASTEN 4 X 6 CROSS MEMBER TO 4 X 6 LEGS WITH 3/8 X 5" LAG SCREWS AND 3/8" WASHERS.



STEP 30: TRAPEZE ARM IRON DUCTILE

- 1: LINE UP THE HOLES OF THE IRON DUCTILE WITH THE HOLES IN THE END OF THE TRAPEZE ARM.
- 2: FASTEN THE DUCTILE TO THE TRAPEZE ARM USING 6-1/2" CARRIAGE BOLTS WITH TORQUE WASHERS, AND 3/8" WASHERS WITH 3/8" LOCK NUTS.
- 3: PLACE BOLT CAPS OVER EXPOSED THREADS.

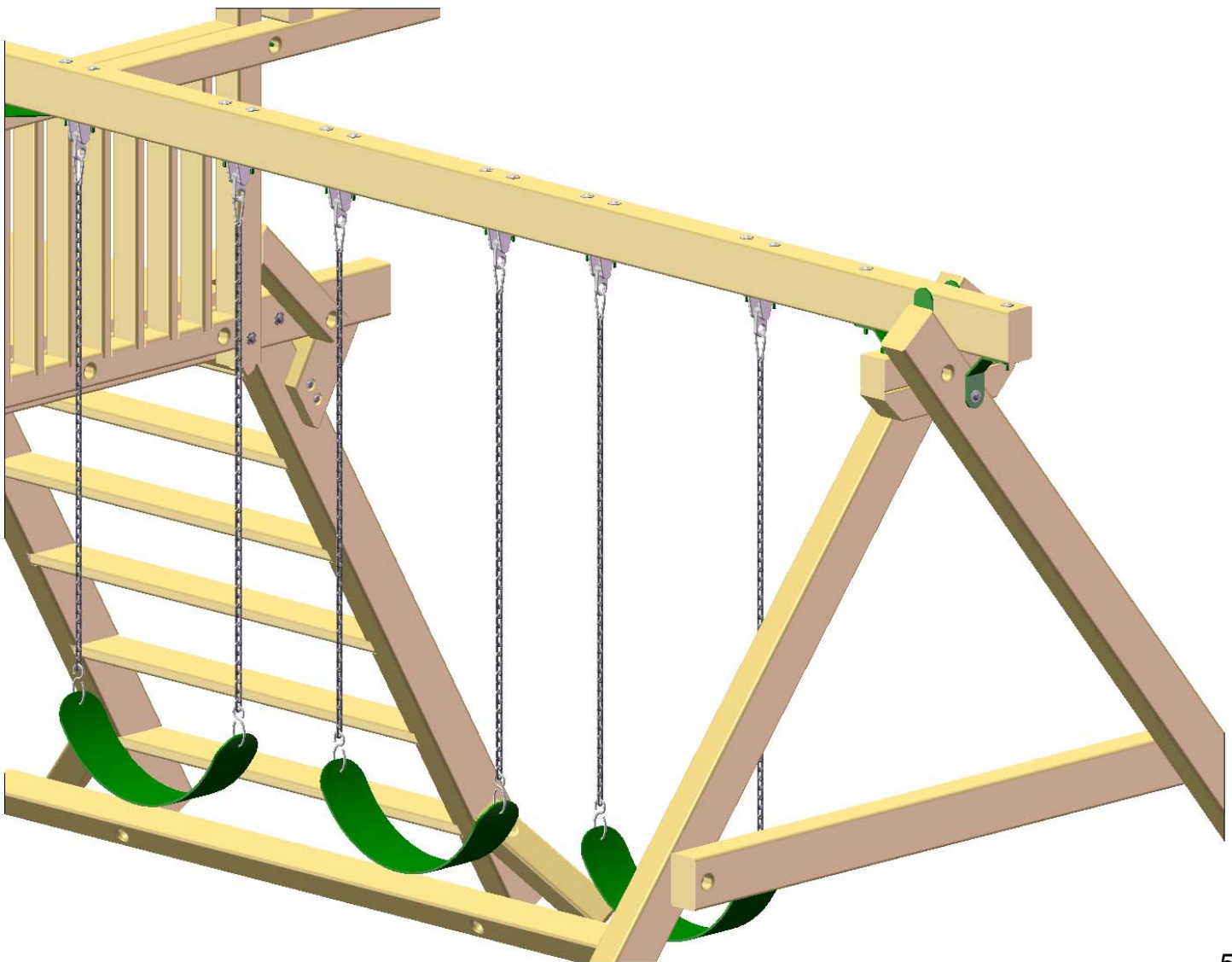
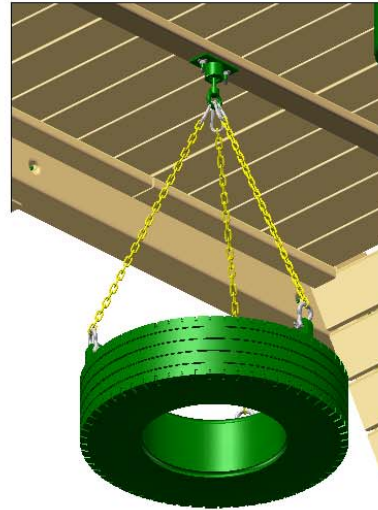
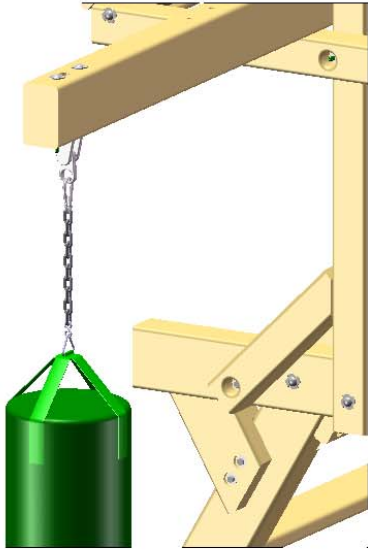


STEP 31: HANGING THE SWINGS

1: PLACE THE SPRING CLIPS ON THE CHAINS OF THE SWINGS, PUNCHING BAG , AND TIRE SWING.

2: HANG THE SWINGS AND PUNCHING BAG BY THE SWING CLIPS FROM THE DUCTILES ON THE SWING BEAM AND TRAPEZE BAR. EACH CHAIN ON THE TIRE SWING WILL GET A SPRING CLIP; AND THESE WILL BE HUNG FROM THE TIRE SWIVEL.

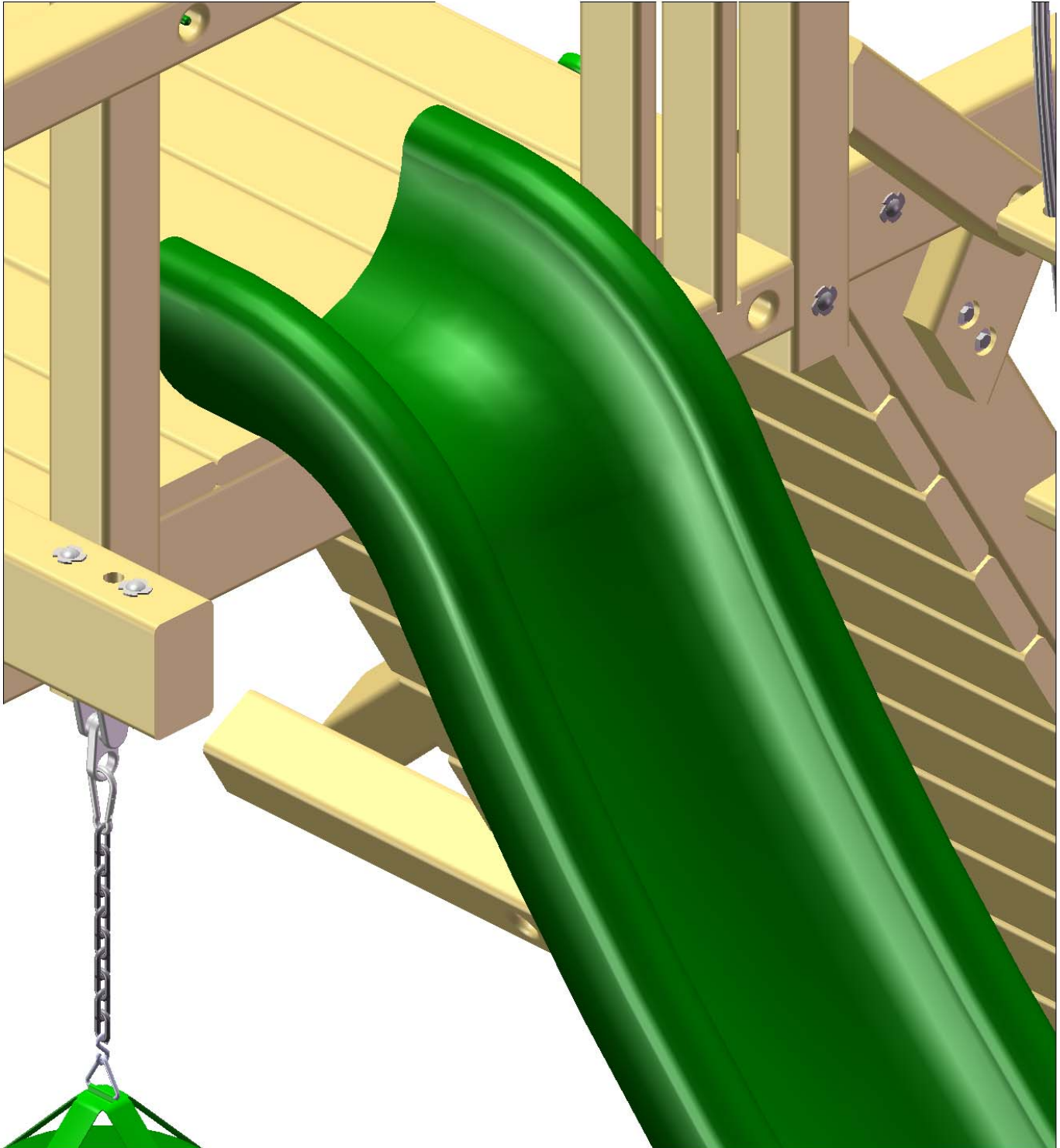
3: ADJUST CHAIN HEIGHT AS NECESSARY.



STEP 32: SLIDE

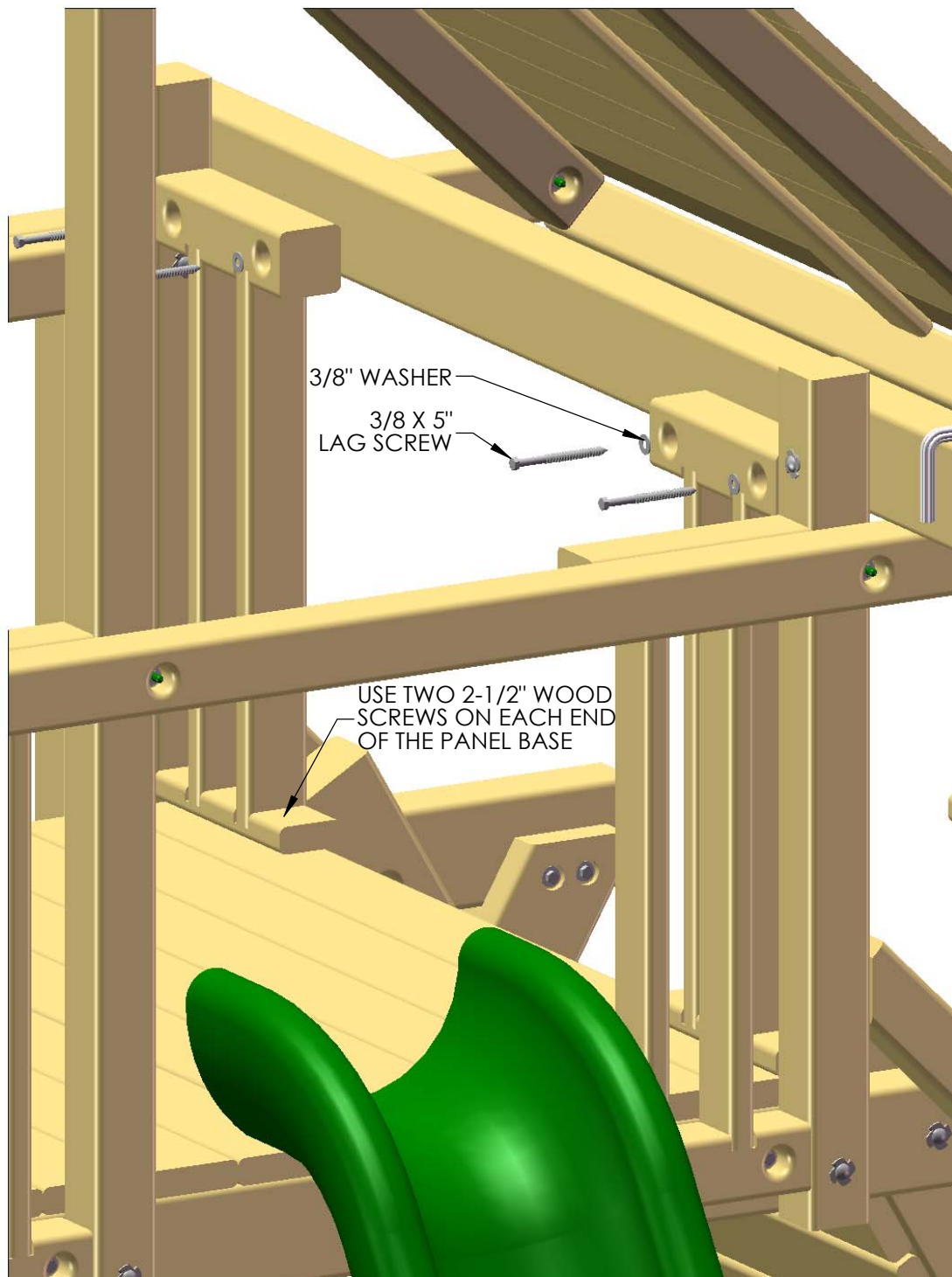
1: LOOK ON THE BOTTOM OF THE SLIDE. YOU WILL NOTICE THAT ONE END HAS A SMALL NOTCH. REST THIS ON THE DECK AND PUSH THE SLIDE AS FAR BACK ON THE DECK AS THE NOTCH WILL ALLOW.

2: CENTER THE SLIDE IN THE OPENING BETWEEN THE CENTER UPRIGHT AND THE SLIDE WALL PANEL AND ATTACH WITH 1-1/4" PAN HEAD SCREWS.



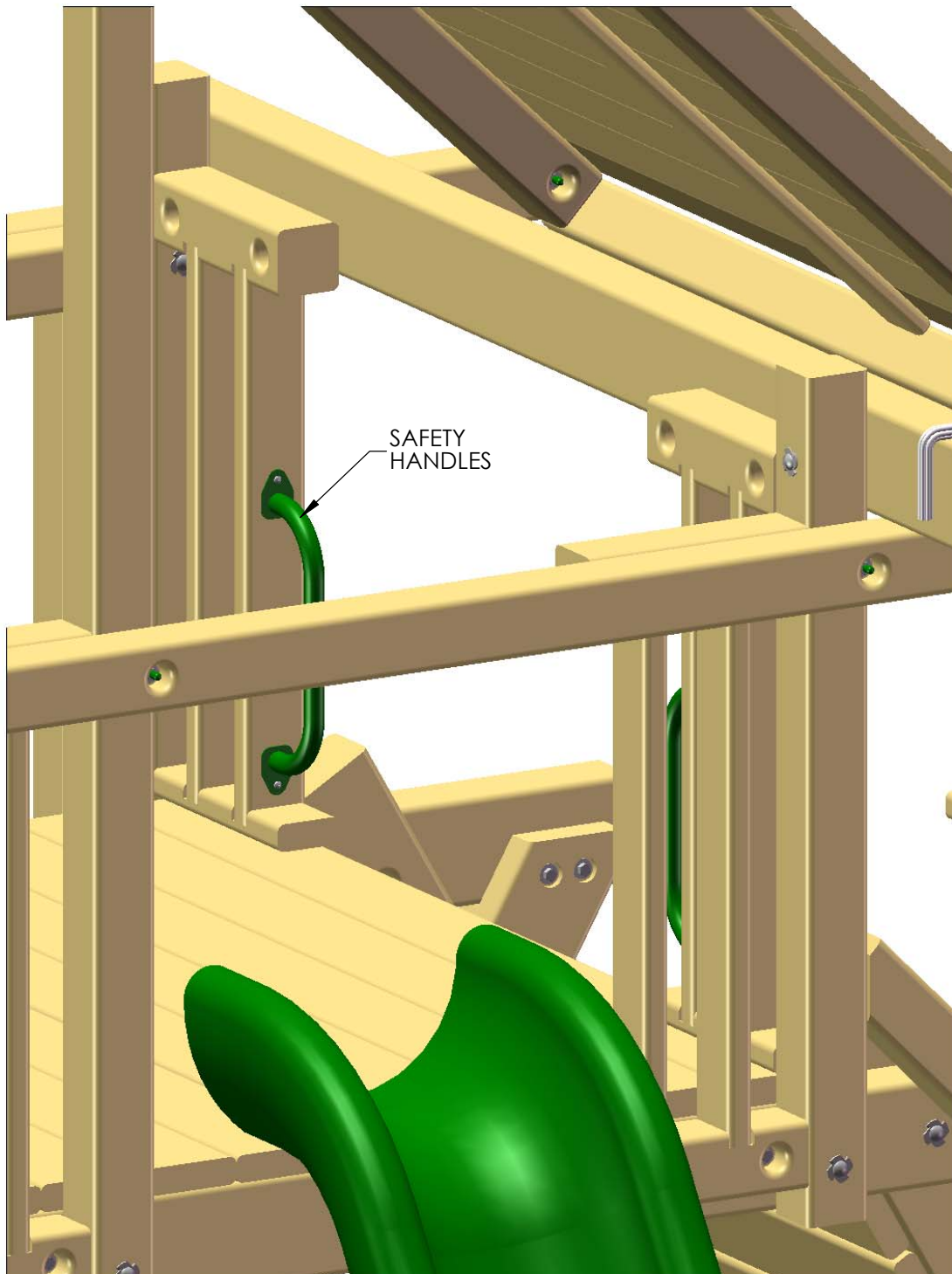
STEP 33: ENTRY PANELS

- 1: PLACE THE ENTRY PANELS AT THE OPENINGS ON THE LADDER AND ROCK WALL SIDES OF THE FORT.
- 2: THE ENDS OF THE PANELS WILL REST FLUSH AGAINST THE CORNER UPRIGHTS, WITH THE COUNTER-SUNK HOLES FACING TOWARDS THE INSIDE OF THE UNIT.
- 3: USE 3/8 X 5" LAG SCREWS WITH 3/8" WASHERS IN THE COUNTER-SUNK HOLES ON THE ENTRY PANEL.
- 4: ON THE BASE OF THE PANELS, USE TWO 2-1/2" WOOD SCREWS IN EACH END TO FASTEN THE BASE OF THE PANEL TO THE DECK.



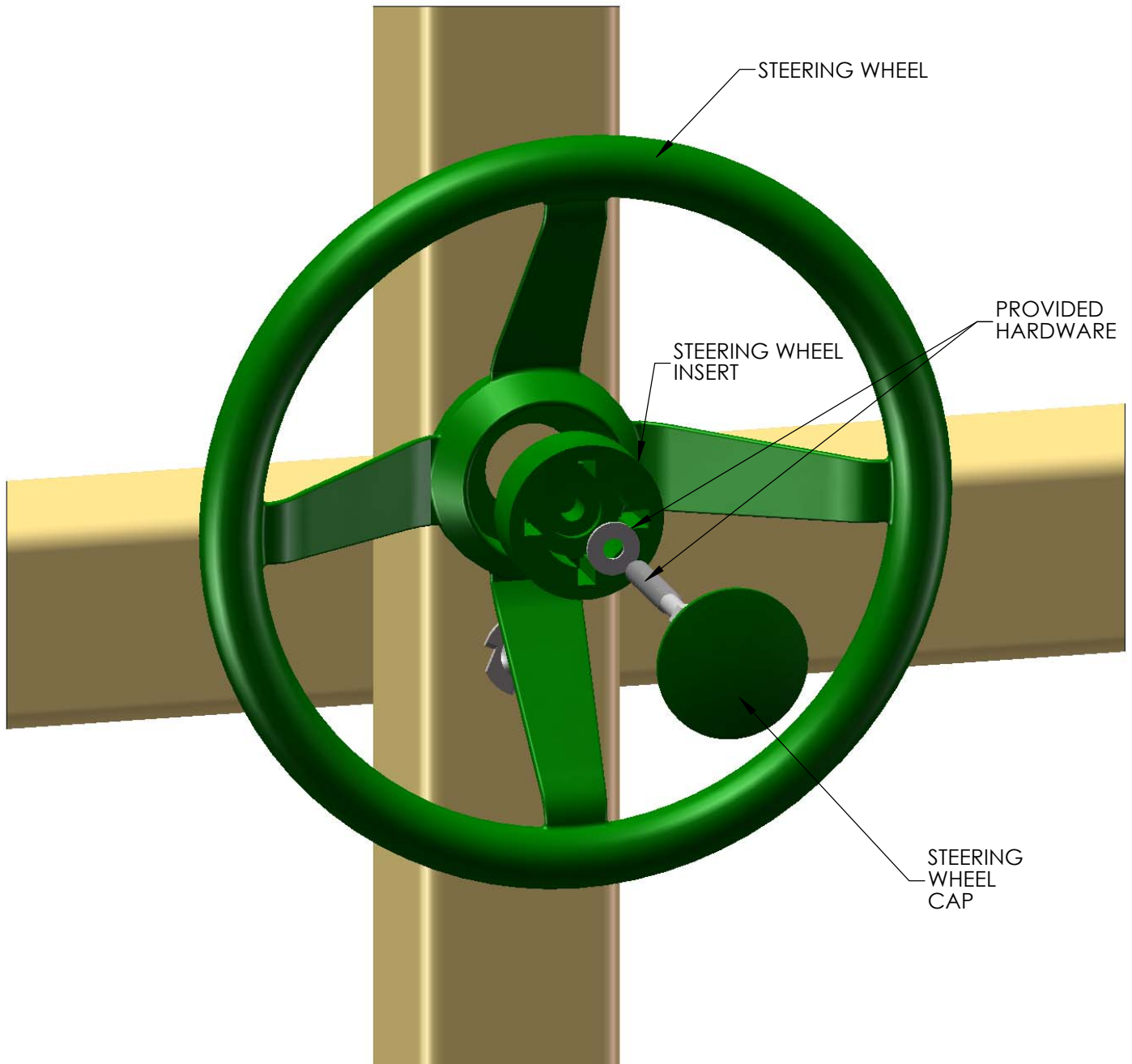
STEP 34: SAFETY HANDLES

- 1: PLACE THE SAFETY HANDLES ABOVE THE BASE OF THE ENTRY PANELS, CENTERED ON THE PANEL SLATS.
- 2: ATTACH THE SAFETY HANDLES TO THE PANEL SLATS OF THE ENTRY PANELS WITH 1-1/4" PAN HEAD SCREWS.



STEP 35: STEERING WHEEL

- 1: PLACE THE STEERING WHEEL INSERT INSIDE THE STEERING WHEEL.
- 2: USE THE HARDWARE INCLUDED WITH THE STEERING WHEEL TO MOUNT THE STEERING WHEEL TO THE FRONT CENTER UPRIGHT. DO NOT OVER-TIGHTEN THE LAG SCREW INTO THE STEERING WHEEL, OR IT WILL NOT TURN.
- 3: PLACE THE STEERING WHEEL CAP OVER THE CENTER OF THE STEERING WHEEL.

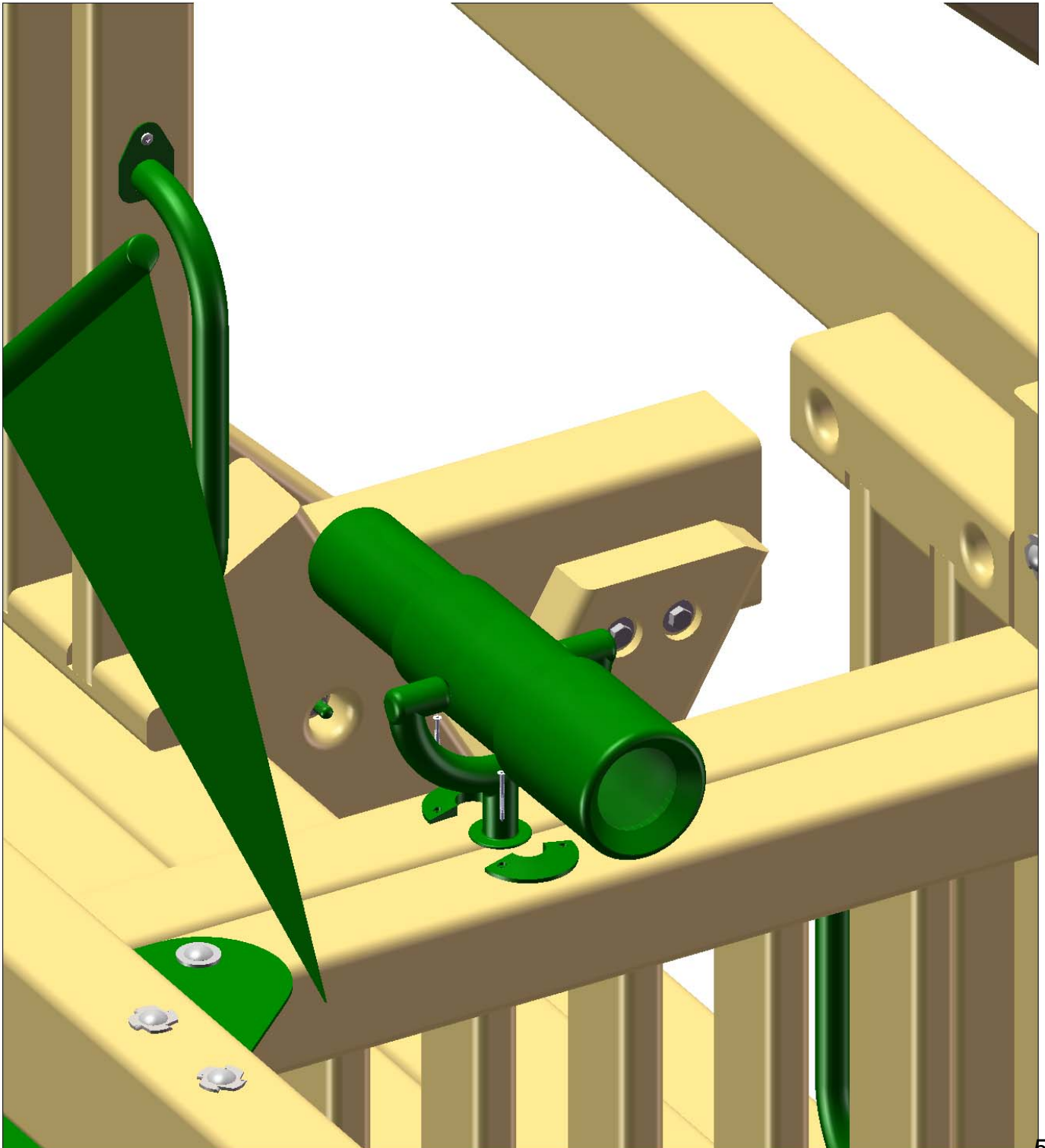


STEP 36: TELESCOPE

1: WITH THE 1-1/4" WOOD SCREWS PROVIDED IN THE TELESCOPE BAG, FASTEN ONE OF THE CIRCLE TELESCOPE BRACKETS ONTO THE SIDE RAIL, JUST ABOVE THE SLIDE.

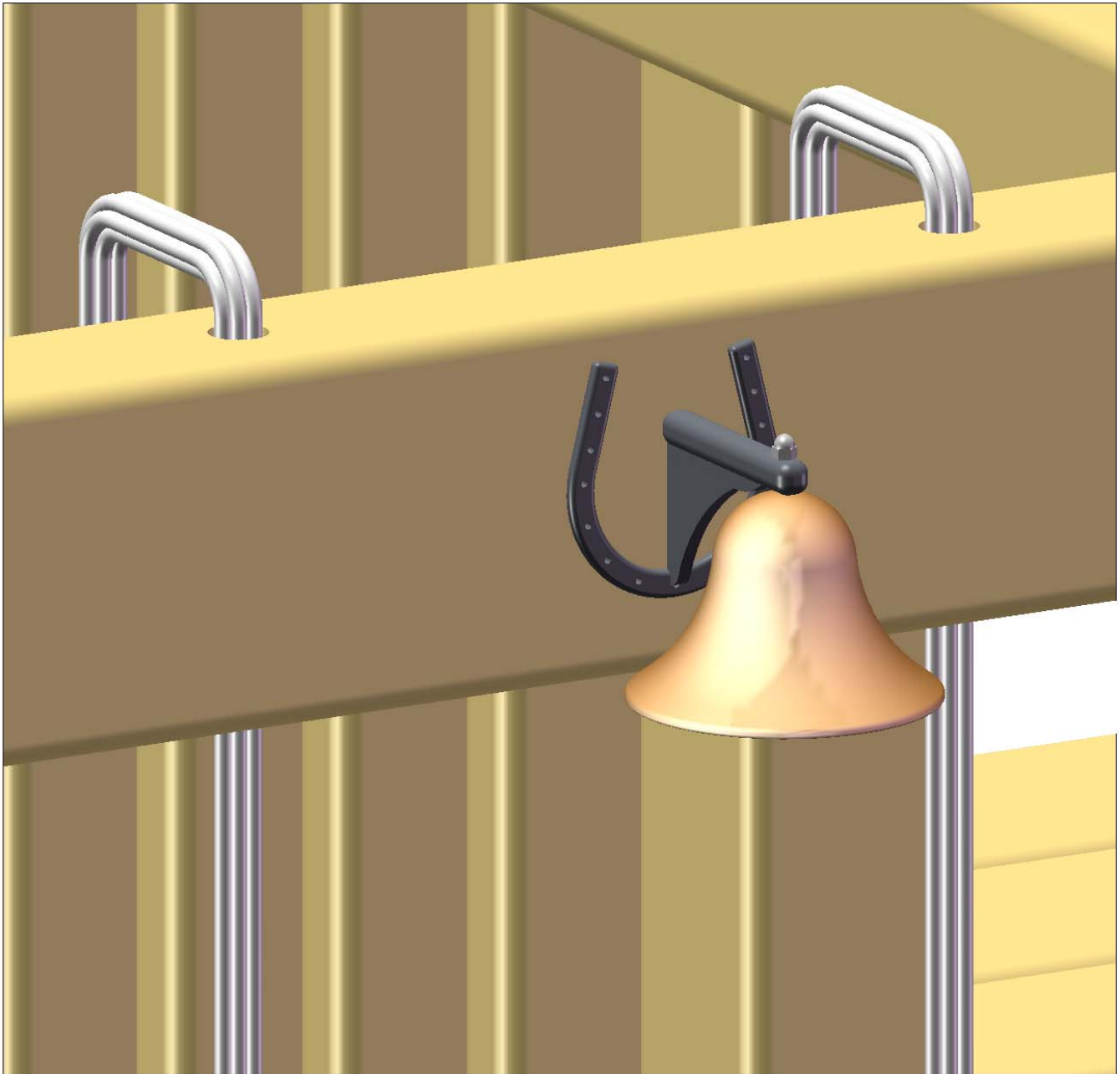
2: PLACE THE TELESCOPE STAND AND TELESCOPE INTO THE SLOT OF THE TELESCOPE BRACKET.

3: FASTEN THE REMAINING TELESCOPE BRACKET TO THE OPPOSITE SIDE THAT THE FIRST TELESCOPE BRACKET WAS INSTALLED ON WITH 1-1/4" WOOD SCREWS.



STEP 37: DINNER BELL

- 1: CENTER THE BASE OF THE DINNER BELL ON THE ROPE LADDER SUPPORT AND ATTACH WITH PROVIDED SCREWS.
- 2: ASSEMBLE THE BELL AND TIGHTEN TO THE BASE WITH THE PROVIDED NUT



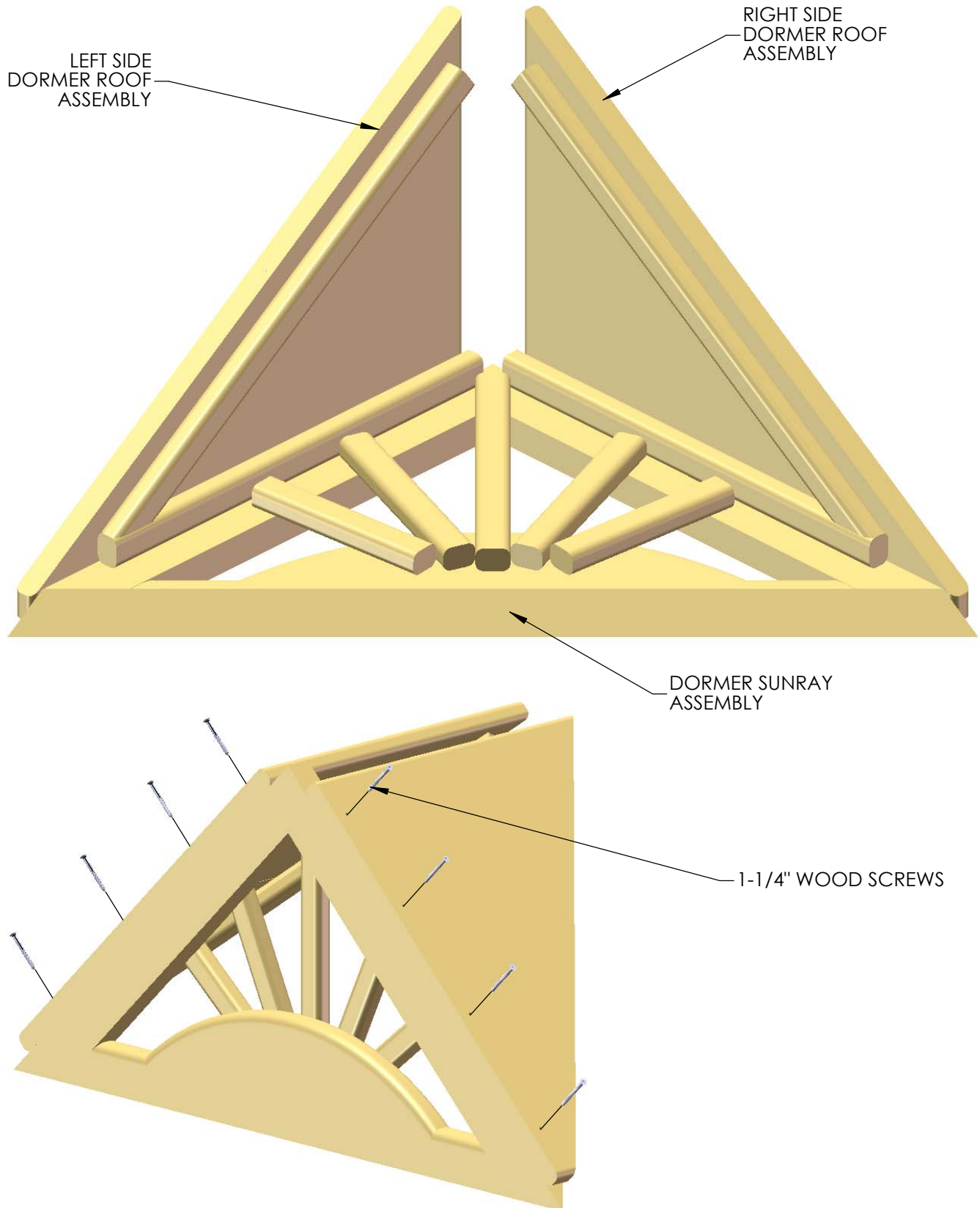
STEP 38: DORMER

1: FIND TWO LEFT SIDE AND TWO RIGHT SIDE DORMER ROOF ASSEMBLIES.

2: FIND TWO DORMER SUNRAY ASSEMBLIES.

3: PLACE THE LEFT AND RIGHT ROOF ASSEMBLIES ON THE BACK SIDE OF THE DORMER SUNRAY ASSEMBLY AS SHOWN BELOW.

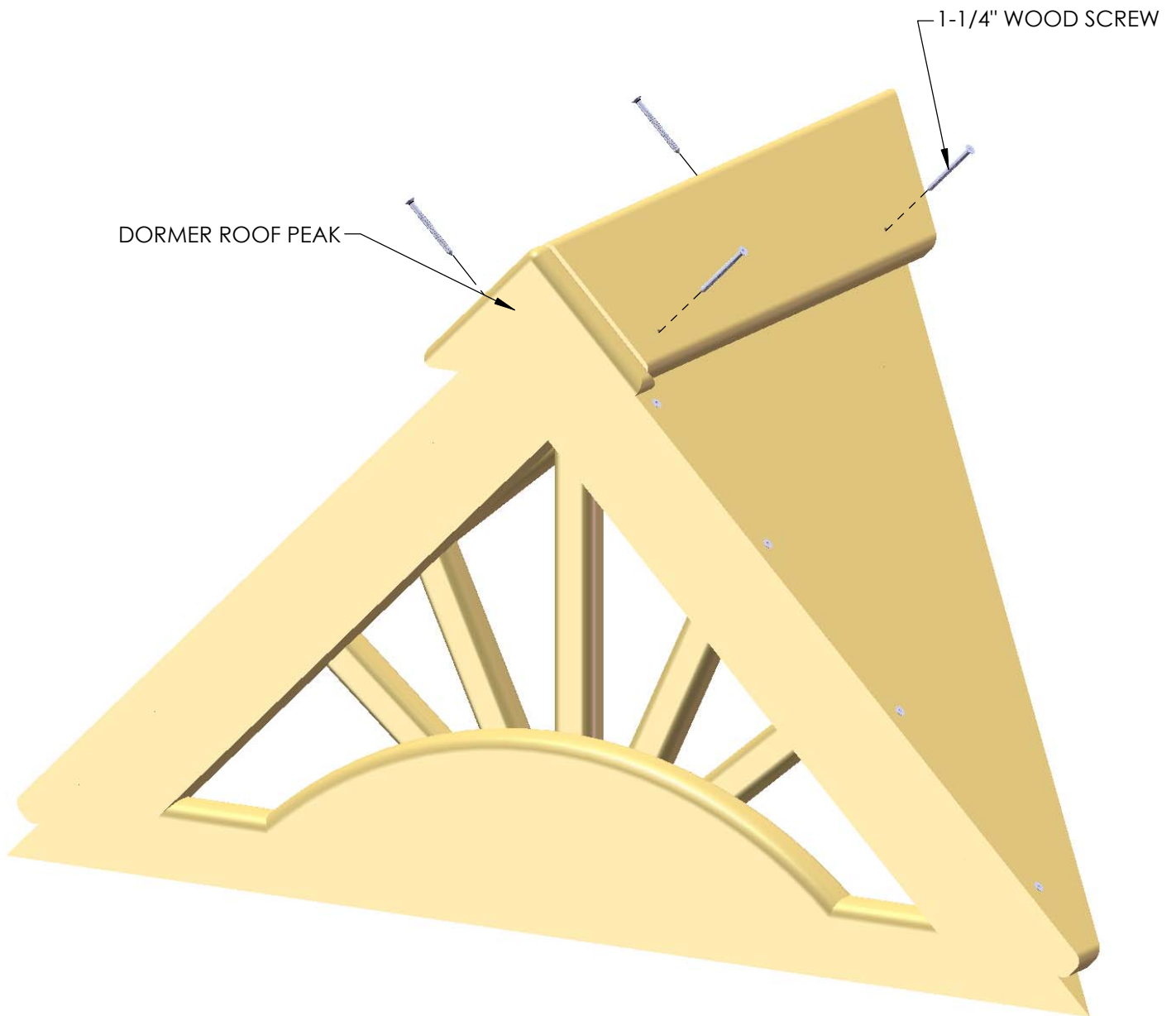
4: ATTACH THE DORMER ROOF SIDES TO THE DORMER SUNRAY WITH 1-1/4" WOOD SCREWS FROM THE ROOF BOARDS OF THE ROOF ASSEMBLIES.



STEP 39: DORMER

1: FIND THE DORMER ROOF PEAK ASSEMBLY.

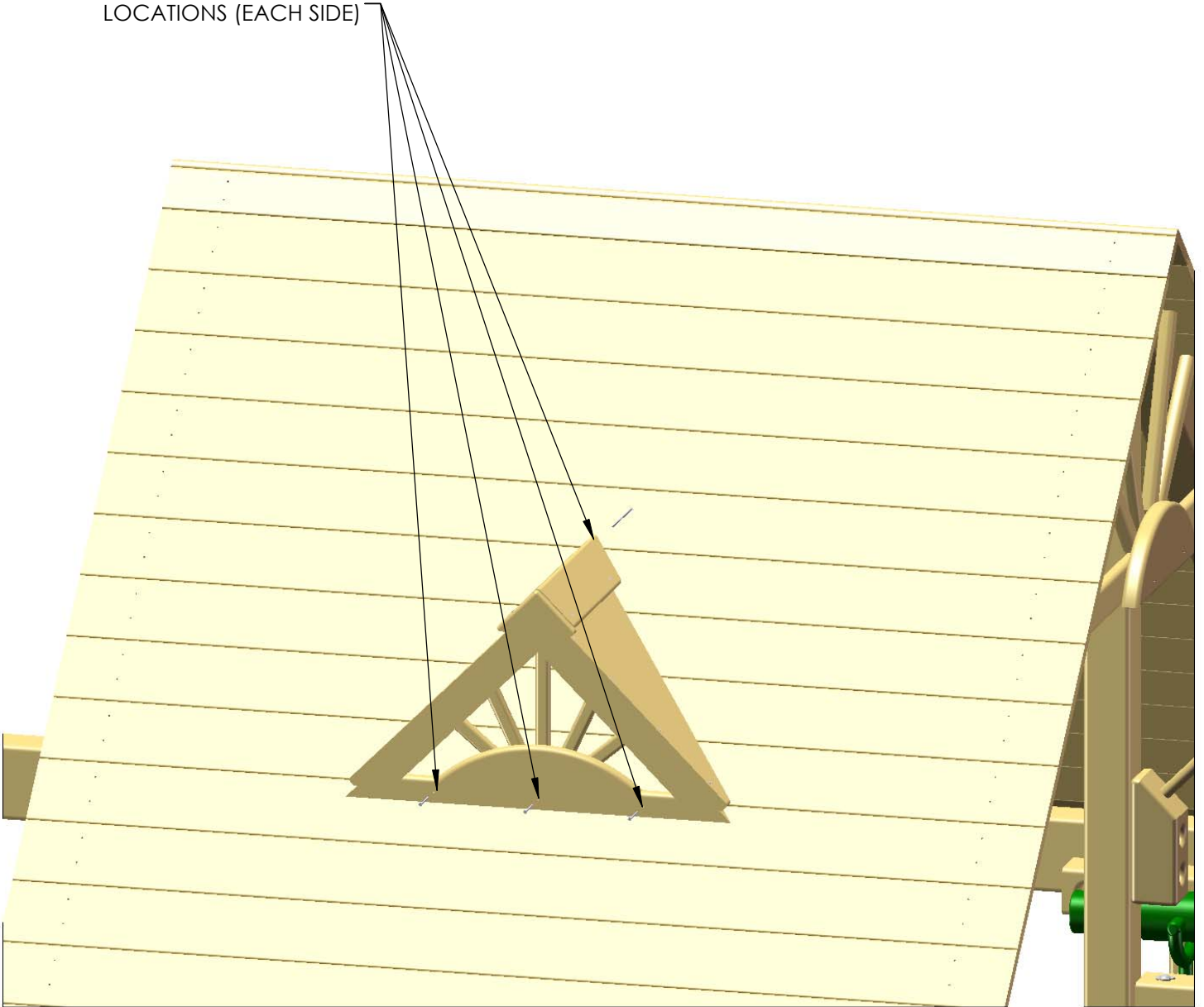
2: PLACE THE ROOF PEAK ASSEMBLY IN THE TOP OF THE ROOF AND FASTEN WITH 1-1/4" WOOD SCREWS.



STEP 40: DORMER

- 1: CENTER THE DORMER ASSEMBLIES ON THE ROOF.
- 2: USE 2" WOOD SCREWS TO FASTEN THE DORMERS TO THE ROOF.

USE 2" WOOD SCREWS IN THESE
LOCATIONS (EACH SIDE)



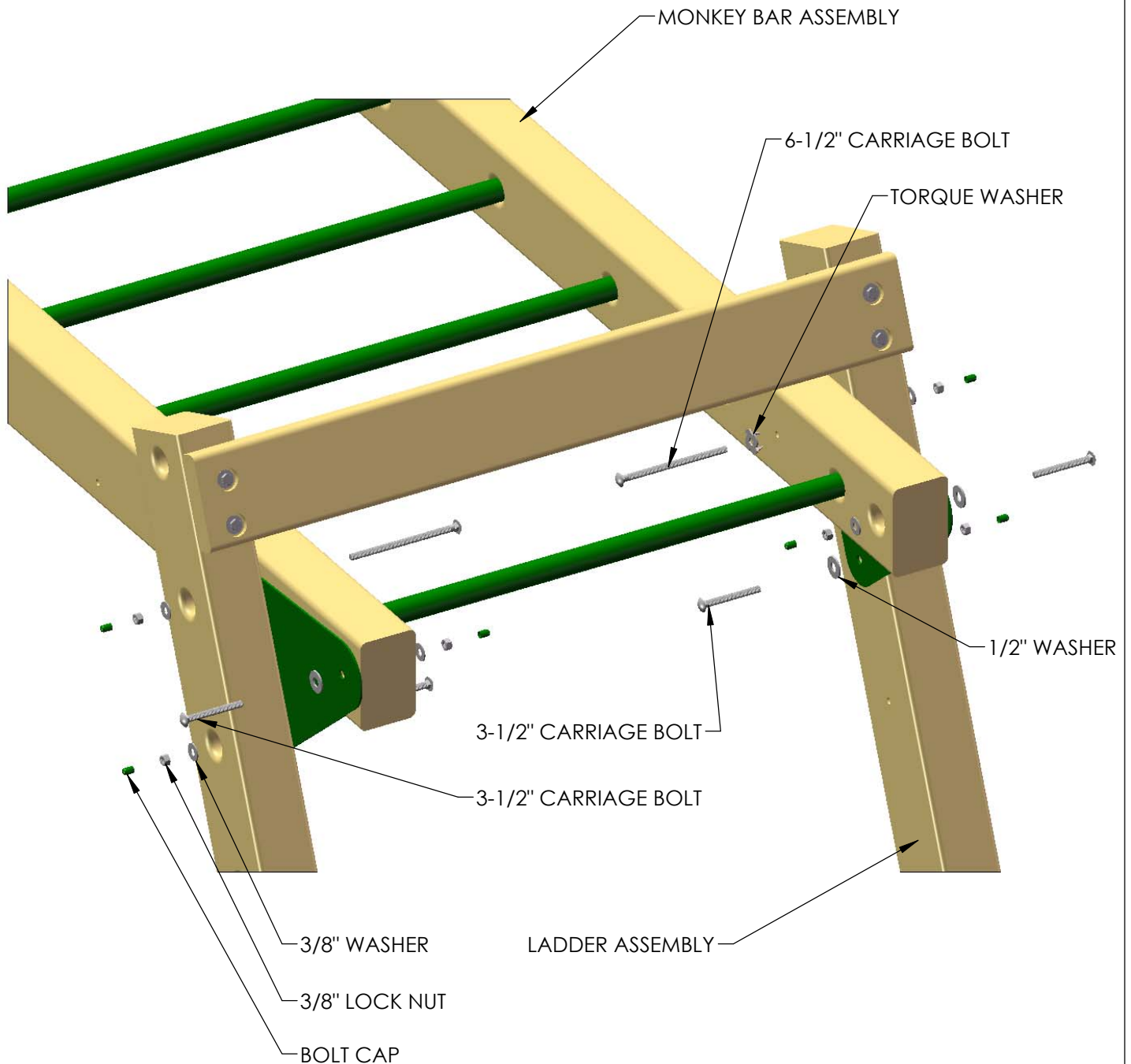
STEP 41: MONKEY BAR ASSEMBLY

1: PLACE THE MONKEY BAR ASSEMBLY IN THE MIDDLE HOLES OF THE LADDER ASSEMBLY.

2: POSITION THE MONKEY BAR PLATE BETWEEN THE MONKEY BAR ASSEMBLY AND THE LADDER ASSEMBLY AND LINE THE PLATE HOLES UP WITH THE TWO MIDDLE HOLES OF THE LADDER ASSEMBLY.

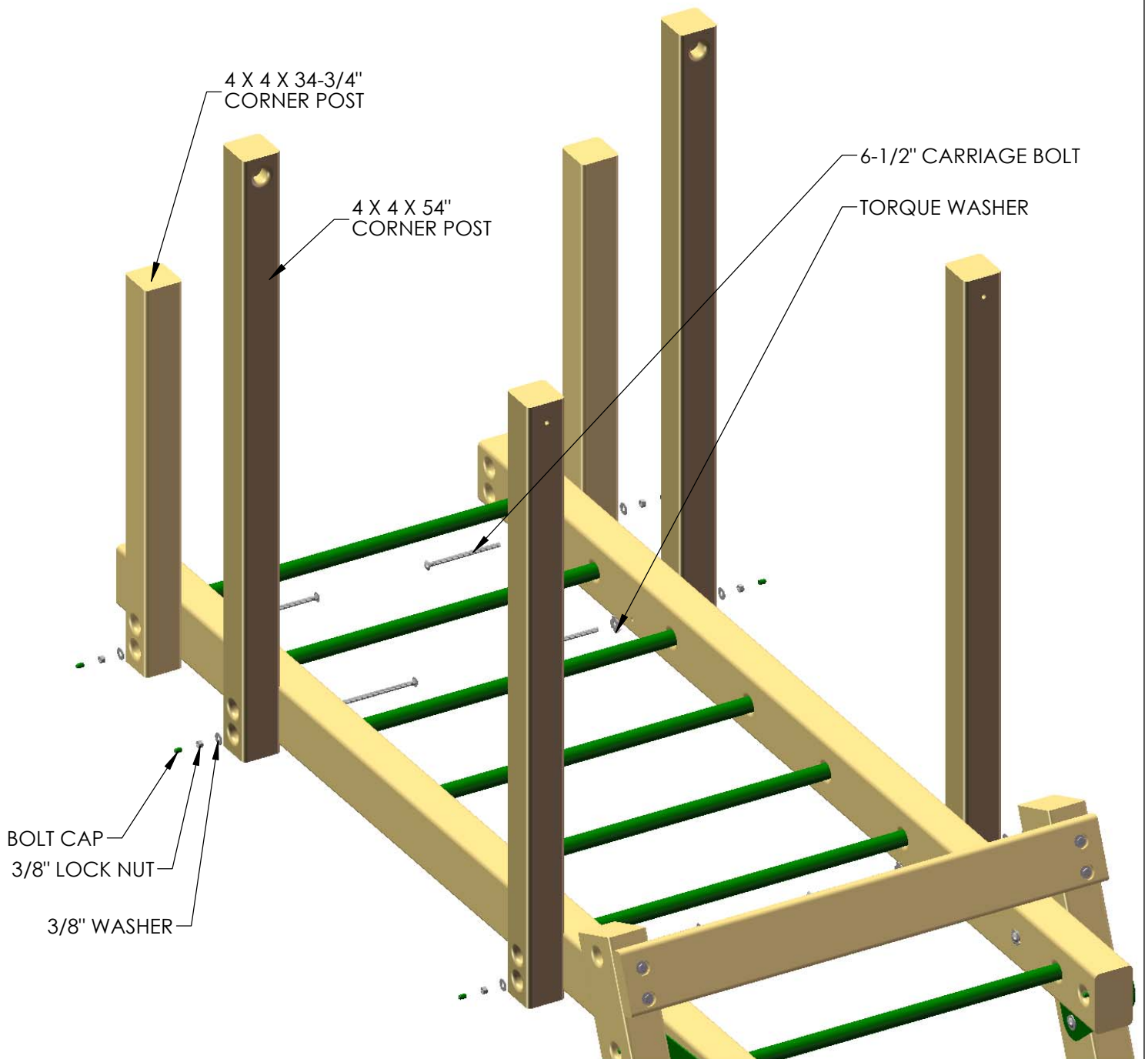
3: SEE BELOW FOR EXACT PLACEMENT OF THE 6-1/2", AND 3-1/2" CARRIAGE BOLTS. THE 6-1/2" CARRIAGE BOLT WILL BE PAIRED WITH A TORQUE WASHER, WHILE THE 3-1/2" CARRIAGE BOLTS WILL BE PAIRED WITH A 1/2" WASHER.

NOTE: THE FOUR HOLES IN THE LADDER ASSEMBLY ARE FOR VARIANCES IN GRADE IN YOUR YARD. IF YOUR YARD IS RELATIVELY LEVEL, USE THE MIDDLE HOLES FOR ASSEMBLY.



STEP 42: CORNER POSTS

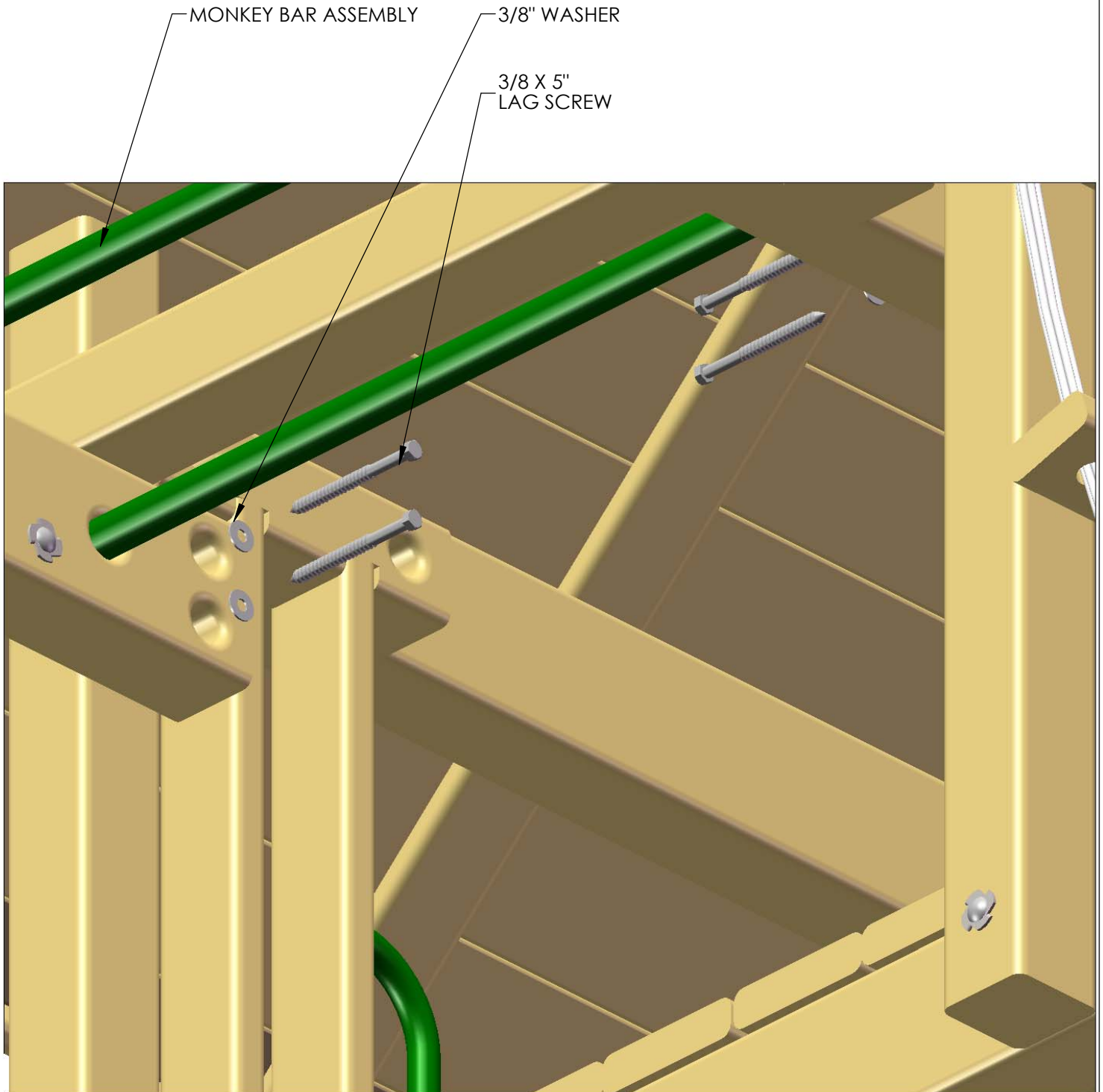
- 1: FIND FOUR 4 X 4 X 54" CORNER POSTS. THE ORIENTATION OF THE POSTS ARE IMPORTANT IN THIS STEP. THE SINGLE COUNTER-SUNK HOLE AT THE TOP OF THE POSTS MUST FACE TOWARD EACH OTHER.
- 2: THE CORNER POSTS WILL ATTACH IN THE PRE-DRILLED HOLES WITH THE BOTTOM COUNTER-SUNK HOLE OF THE CORNER POSTS LINING UP WITH THE TWO HOLES IN THE MONKEY BAR ASSEMBLY CLOSEST TO THE LADDER ASSEMBLY.
- 3: ATTACH THE CORNER POSTS WITH A 6-1/2" CARRIAGE BOLT WITH A TORQUE WASHER FROM THE INSIDE OF THE MONKEY BARS, AND 3/8" LOCK NUTS WITH 3/8" WASHERS FROM THE OUTSIDE. PLACE GREEN BOLT CAPS OVER ANY EXPOSED THREADS.
- 5: FIND TWO 4 X 4 X 34-3/4" CORNER POSTS. THE CORNER POSTS WILL ATTACH IN THE PRE-DRILLED HOLES WITH THE BOTTOM COUNTER-SUNK HOLE OF THE CORNER POSTS LINING UP WITH THE HOLE AT THE END OF THE MONKEY BAR ASSEMBLY.
- 6: ATTACH THE CORNER POSTS WITH A 6-1/2" CARRIAGE BOLT WITH A TORQUE WASHER FROM THE INSIDE OF THE MONKEY BARS, AND 3/8" LOCK NUTS WITH 3/8" WASHERS FROM THE OUTSIDE. PLACE GREEN BOLT CAPS OVER ANY EXPOSED THREADS.
- 7: DO NOT USE ANY HARDWARE IN THE TOP HOLES OF THE CORNER POSTS AT THIS TIME, THEY WILL BE USED LATER.



STEP 43: ATTACHING MONKEY BAR ASSEMBLY TO FORT

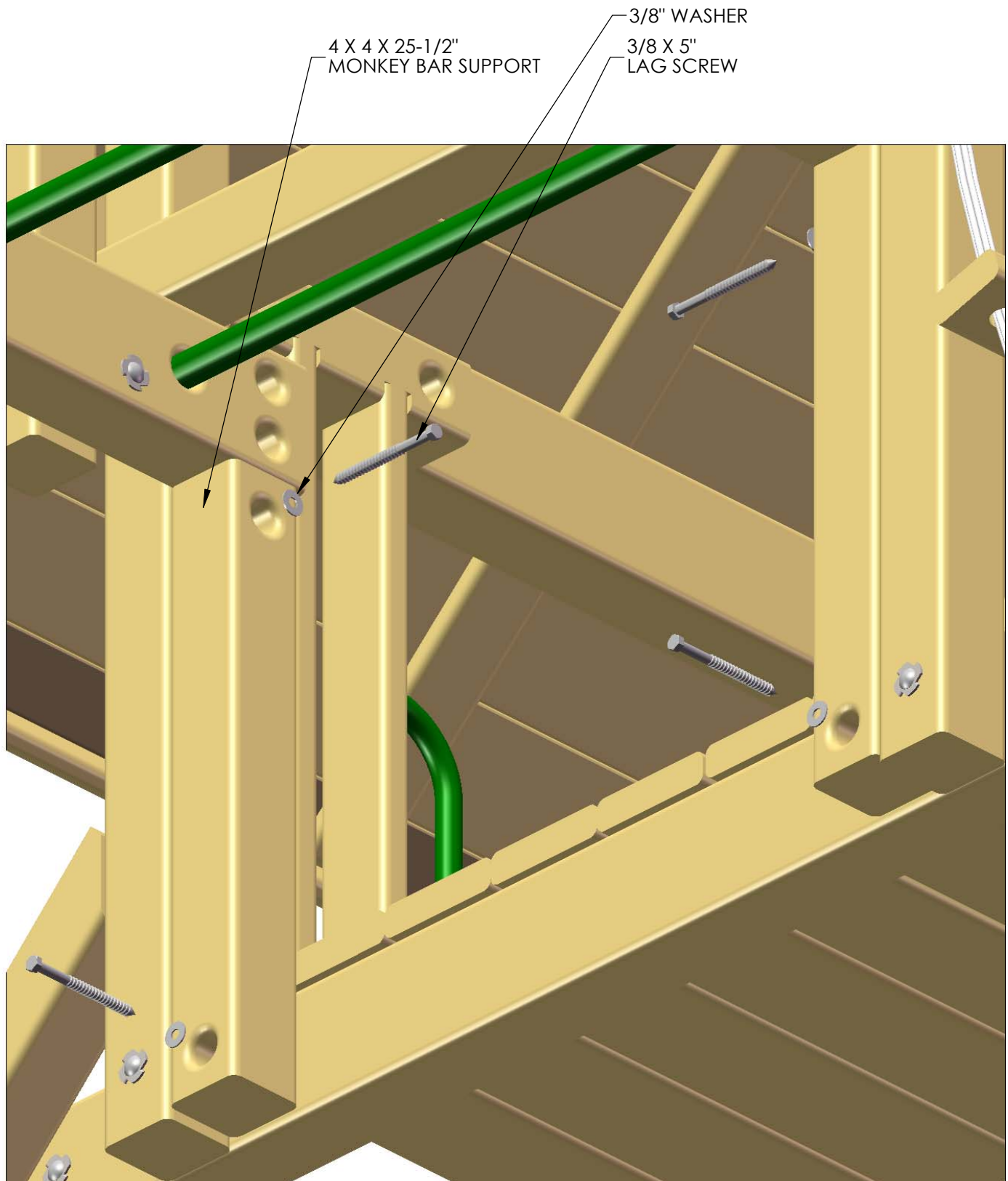
1: TAKE THE MONKEY BAR ASSEMBLY CREATED IN THE PREVIOUS STEP AND MOVE IT TO THE OPENING ON THE OPPOSITE SIDE OF THE SWING BEAM. MAKE SURE THAT THE FACE OF THE RUNG ASSEMBLY IS FLUSH WITH THE CORNER AND CENTER UPRIGHTS.

2: LEVEL AND SQUARE THE ASSEMBLY IN THE OPENING, AND ATTACH IT WITH 3/8 X 5" LAG SCREWS WITH 3/8" WASHERS INTO THE COUNTER-SUNK HOLES.



STEP 44: MONKEY BAR SUPPORTS

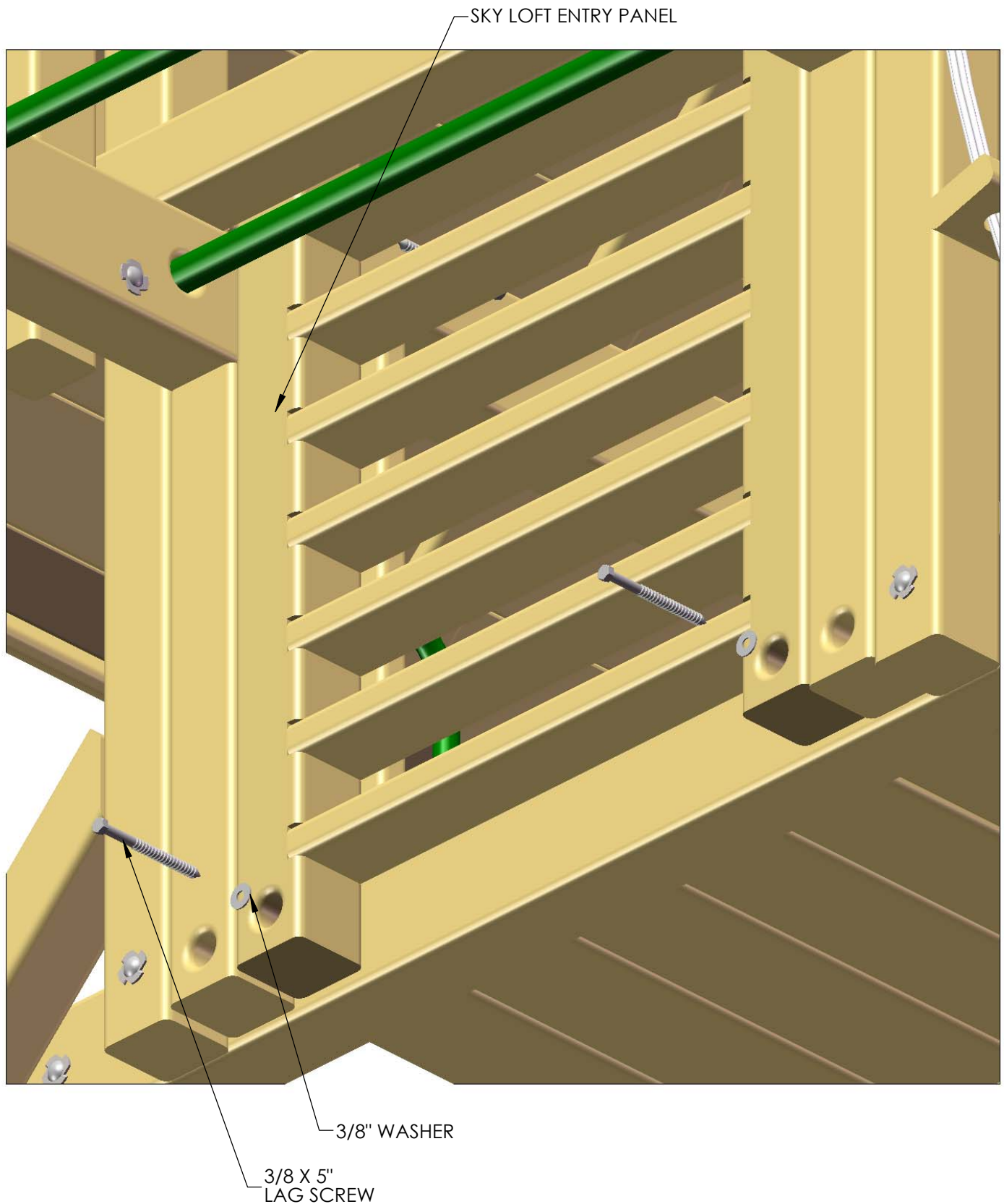
- 1: FIND THE TWO 4 X 4 X 25-1/2" MONKEY BAR SUPPORTS. THERE WILL BE ONE FOR THE LEFT SIDE, AND ONE FOR THE RIGHT.
- 2: PLACE THE MONKEY BAR SUPPORTS ON THEIR APPROPRIATE SIDES, FLUSH TO THE BOTTOM OF THE MONKEY BAR ASSEMBLY, AND AGAINST THE CENTER AND CORNER UPRIGHTS.
- 3: ATTACH THE MONKEY BAR SUPPORTS TO THE CENTER AND CORNER UPRIGHTS WITH 3/8 X 5" LAG SCREWS, AND 3/8" WASHERS. THE BOTTOM HOLES WILL GET A 3/8 X 5" LAG SCREW WITH A 3/8" WASHER, INTO THE MAIN FLOOR BEAMS.



STEP 45: SKY LOFT ENTRY PANEL

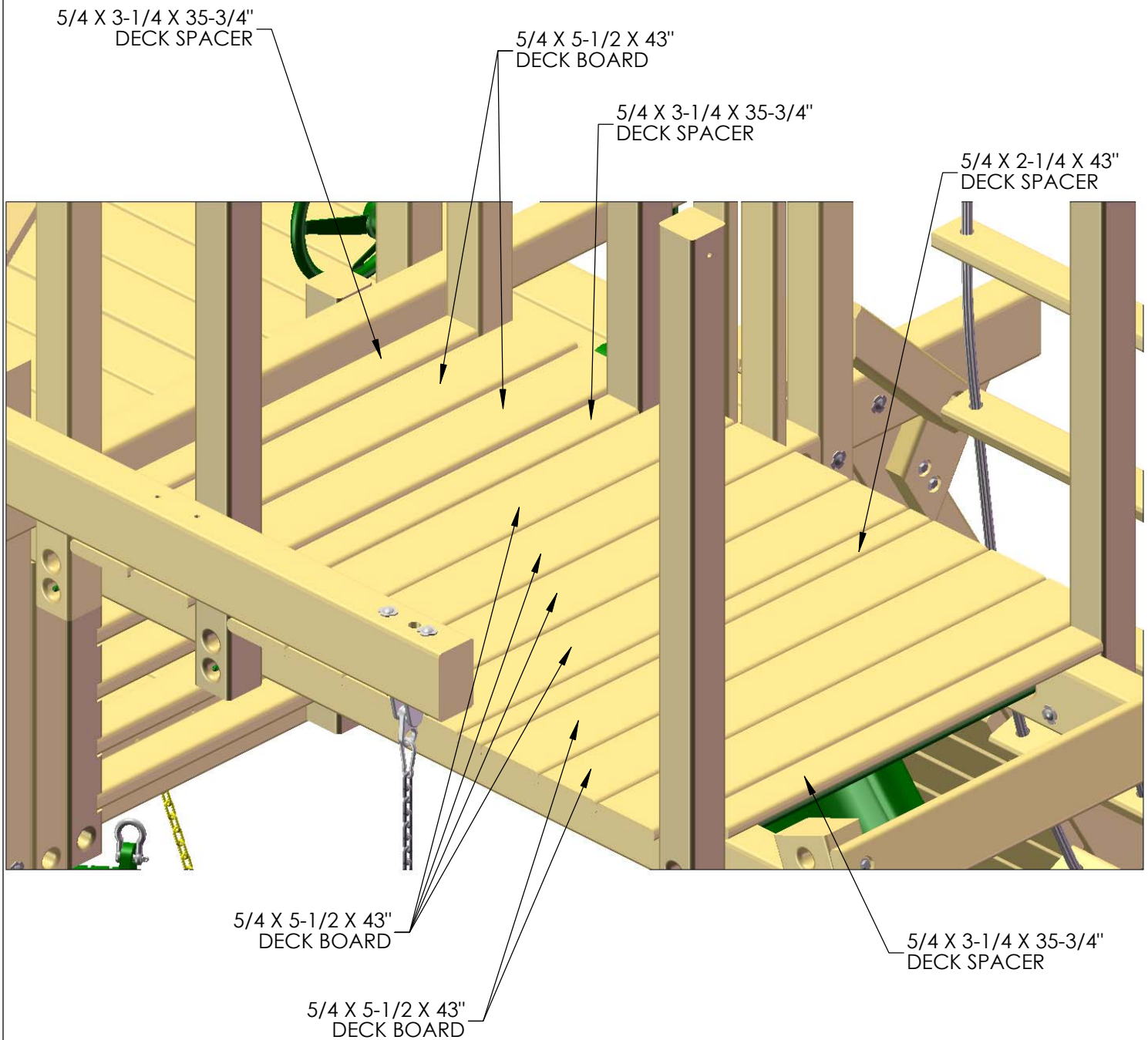
1: FIND THE SKY LOFT ENTRY PANEL. THE ENTRY PANEL WILL MOUNT TO THE UNIT FLUSH TO THE TOP OF THE TOP RAIL.

2: ATTACH THE ENTRY PANEL TO THE MAIN SUPPORT BEAM AND TOP RAIL WITH 3/8 X 3-1/2" LAG SCREWS AND 3/8" WASHERS.



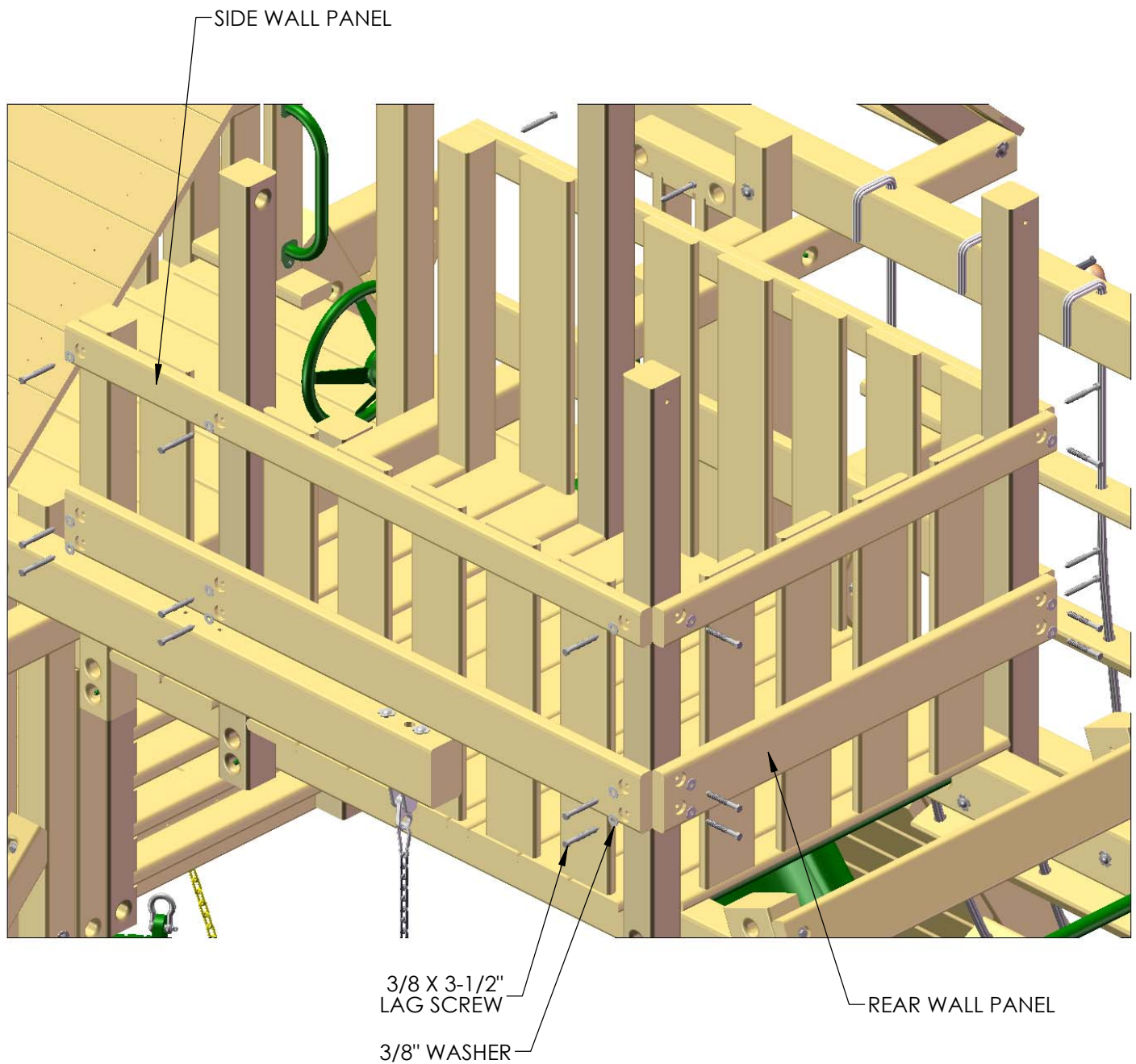
STEP 46: SKY LOFT DECK

- 1: FIND NINE 5/4 X 5-1/2 X 43" DECK BOARDS, ONE 5/4 X 2-1/4 X 43" DECK SPACER, AND THREE 5/4 X 3-1/4 X 35-3/4" DECK SPACERS.
- 2: THE DECK BOARDS WILL FASTEN TO THE MONKEY BAR ASSEMBLY WITH TWO 2" WOOD SCREWS PER SIDE.
- 3: SEE THE PICTURE BELOW FOR LOCATIONS.
- 4: LAY OUT ALL DECK BOARDS BEFORE ATTACHING TO THE MONKEY BARS.



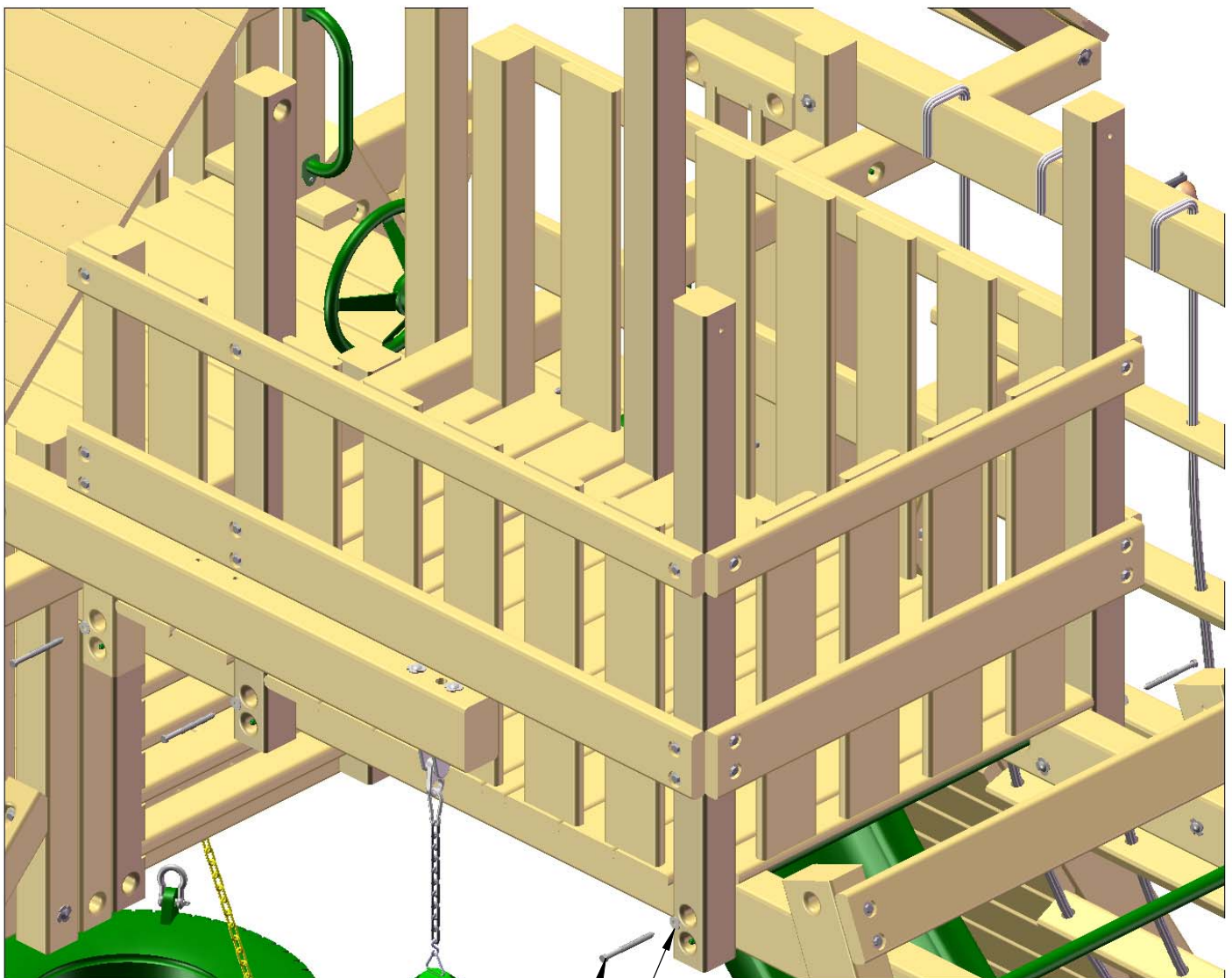
STEP 47: SKY LOFT WALL PANELS

- 1: FIND TWO SIDE WALL PANELS AND ONE REAR WALL PANEL. THERE IS A LEFT AND RIGHT SIDE WALL PANEL.
- 2: PLACE THE SIDE WALL PANELS ON THE UNIT SO THAT THE COUNTER-SUNK HOLES ARE CENTERED ALONG THE CORNER POSTS, AND THE PANEL SLATS REST ON THE DECK.
- 3: FASTEN THE SIDE WALL PANELS TO THE CORNER POSTS WITH 3/8 X 3-1/2" LAG SCREWS AND 3/8" WASHERS.
- 4: PLACE THE REAR WALL PANEL AT THE END OF THE DECK CLOSEST TO THE LADDER ASSEMBLY, CENTERED BETWEEN THE TWO REAR CORNER POSTS WITH THE PANEL SLATS RESTING ON THE DECK.
- 5: FASTEN THE REAR WALL PANEL TO THE CORNER POSTS WITH 3/8 X 3-1/2" LAG SCREWS AND 3/8" WASHERS.



STEP 48: LAG SCREWS

1: AFTER THE PANELS HAVE BEEN INSTALLED ON THE UNIT, GO BACK AND USE 3/8 X 5" LAG SCREWS WITH 3/8" WASHERS IN THE TOP HOLES OF THE CORNER POSTS. MAKE SURE THE POSTS ARE SQUARE BEFORE DRIVING THE LAG SCREWS.

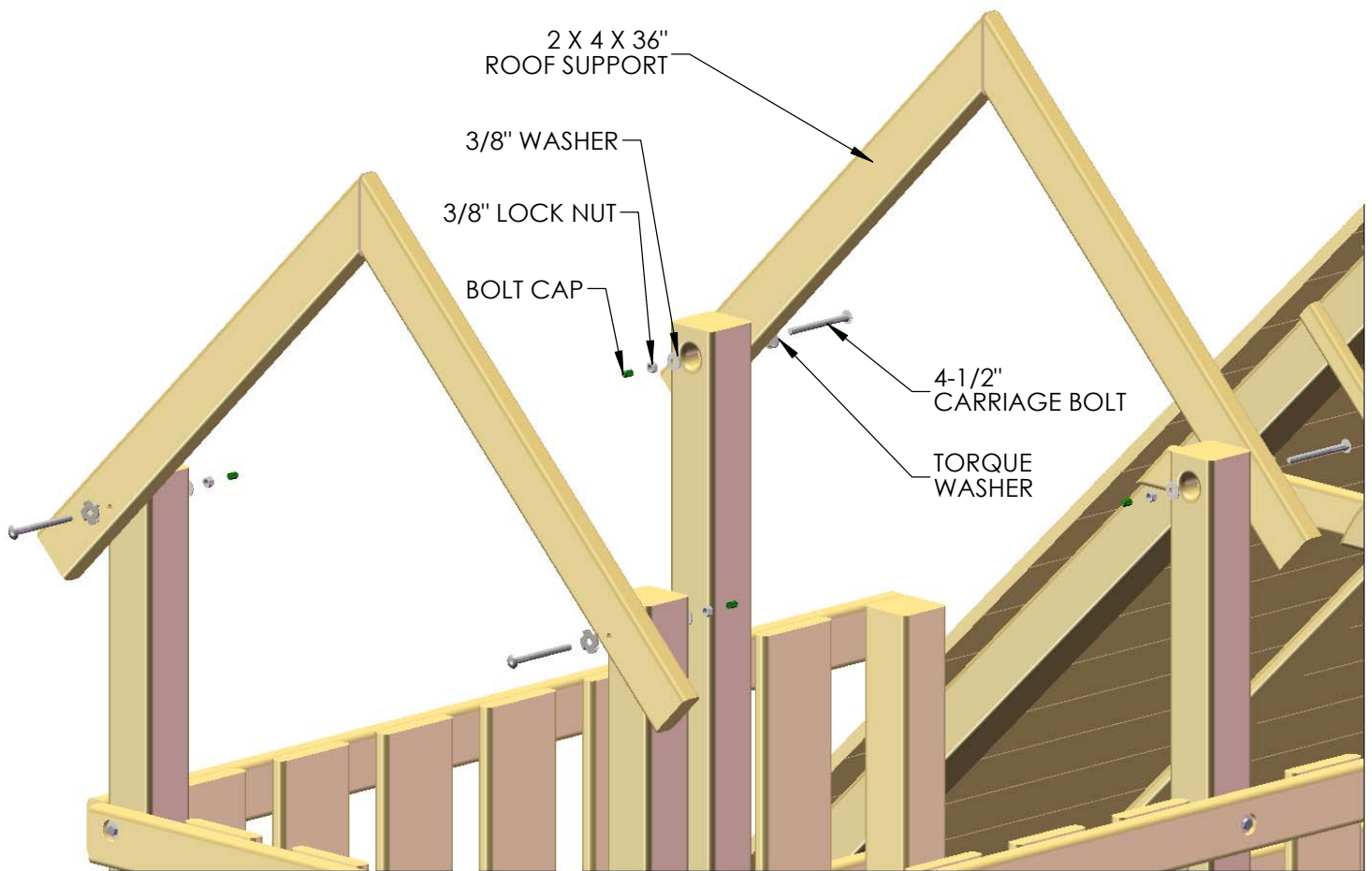


3/8 X 5"
LAG SCREW

3/8" WASHER

STEP 49: ROOF SUPPORTS

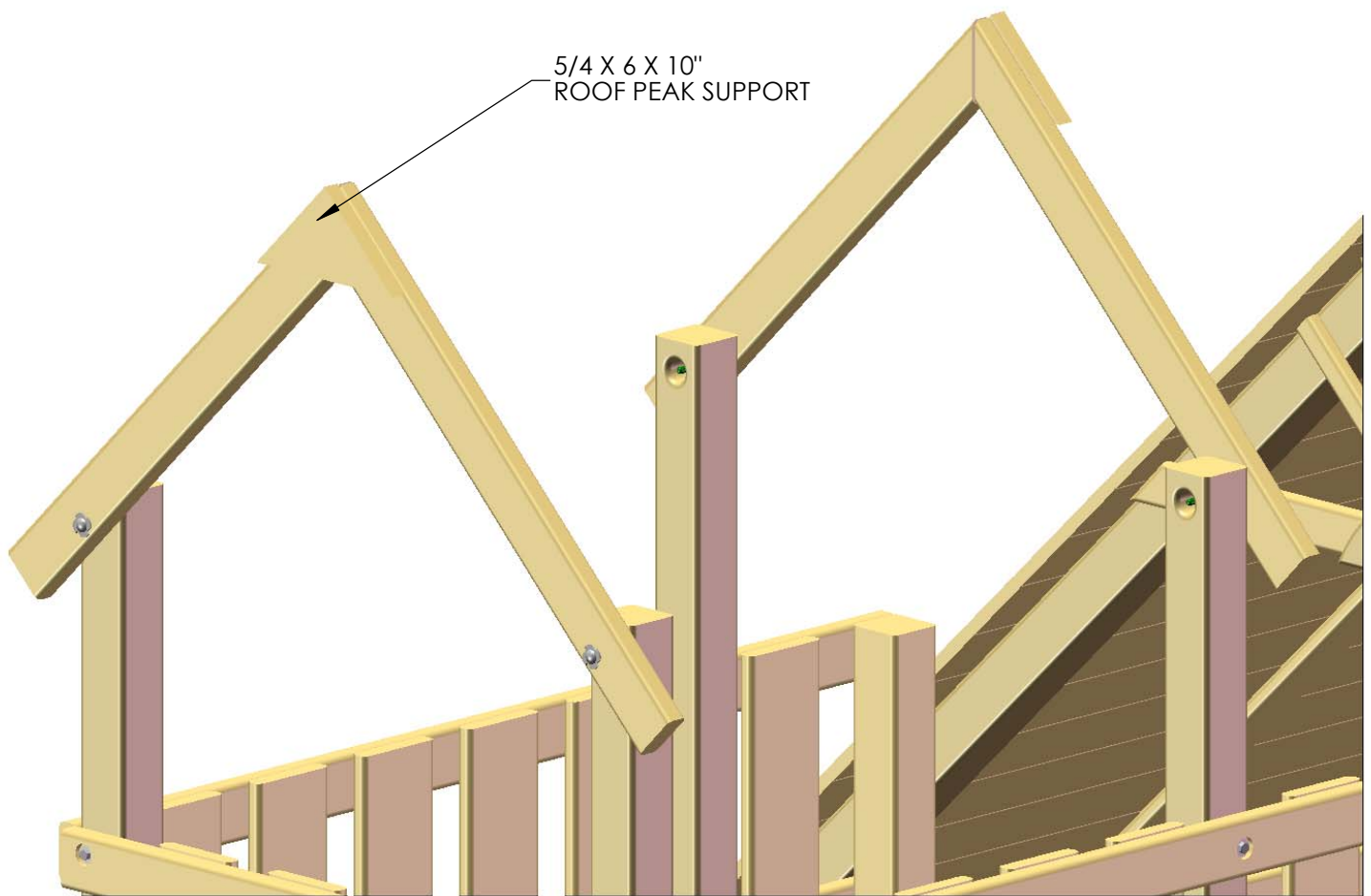
- 1: FIND THE FOUR 2 X 4 X 36" ROOF SUPPORTS. THE ROOF SUPPORTS WILL MOUNT ON THE OPPOSITE SIDE OF THE COUNTER-SUNK HOLES IN THE CORNER POSTS.
- 2: FROM THE OUTSIDE OF THE ROOF SUPPORTS, USE A 4-1/2" CARRIAGE BOLT WITH A TORQUE WASHER. THE CARRIAGE BOLT/TORQUE WASHER WILL GO THROUGH THE HOLE IN THE ROOF SUPPORT, INTO THE HOLE OF THE CORNER POST. SET THE TORQUE WASHER WITH A HAMMER.
- 3: USE A 3/8" LOCK NUT WITH A 3/8" WASHER TO SECURE THE ROOF SUPPORTS. DO NOT FULLY TIGHTEN THE LOCK NUTS AT THIS TIME.
- 4: CONTINUE MOUNTING THE ROOF SUPPORTS TO THE CORNER POSTS. WHEN ALL ROOF SUPPORTS ARE ON THE CORNER POSTS, MOVE THE ANGLED ENDS OF THE ROOF SUPPORTS TOGETHER, MAKING SURE THAT THE POINTS OF THE ANGLED ENDS ARE FLUSH TO EACH OTHER. TIGHTEN ALL LOCK NUTS AFTER ADJUSTING ROOF SUPPORTS.
- 5: USE GREEN BOLT CAPS TO COVER ANY EXPOSED THREADS.



STEP 50: ROOF PEAK SUPPORTS

1: FIND THE TWO 5/4 X 6 X 10" ROOF PEAK SUPPORTS. THE ROOF PEAK SUPPORTS WILL MOUNT TO THE ROOF SUPPORTS SO THAT THE PEAK OF THE ROOF IS FLUSH TO THE PEAK OF THE ROOF PEAK SUPPORTS.

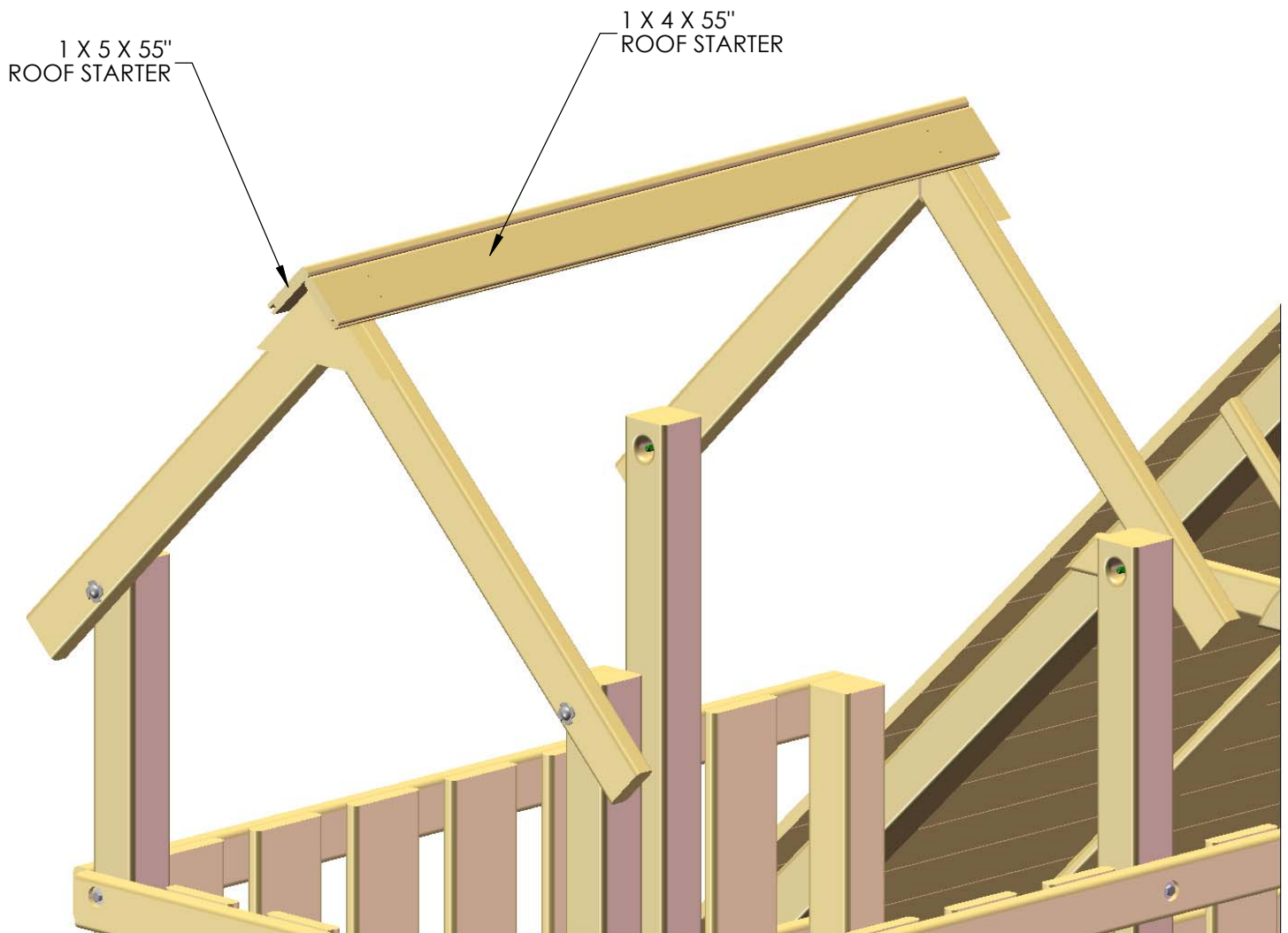
2: USE THREE 2" WOOD SCREWS IN EACH SIDE OF THE ROOF PEAK PER ROOF SUPPORT. (SIX TOTAL)



STEP 51: ROOF STARTERS

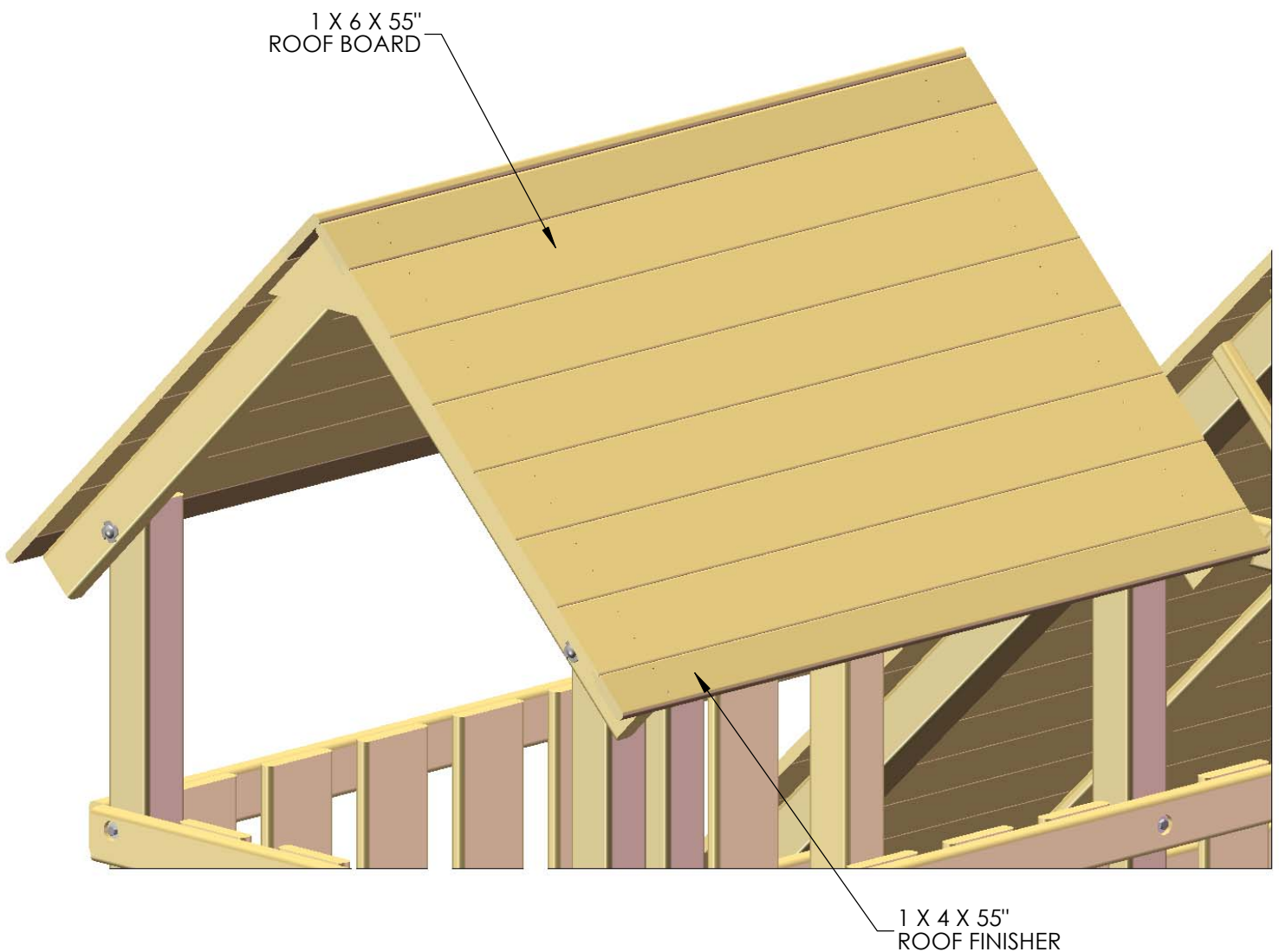
1: FIND ONE 1 X 4 X 55" GROOVE ONLY ROOF STARTER, AND ONE 1 X 5 X 55" GROOVE ONLY ROOF STARTER. CENTER THE BOARDS ACROSS THE ROOF SUPPORTS, AND POSITION THEM SO THAT THE 1 X 5 X 55" ROOF STARTER OVERLAPS THE 1 X 4 X 55" ROOF STARTER.

2: ATTACH THE ROOF STARTERS TO THE ROOF SUPPORTS WITH TWO 1-1/2" WOOD SCREWS PER SIDE.



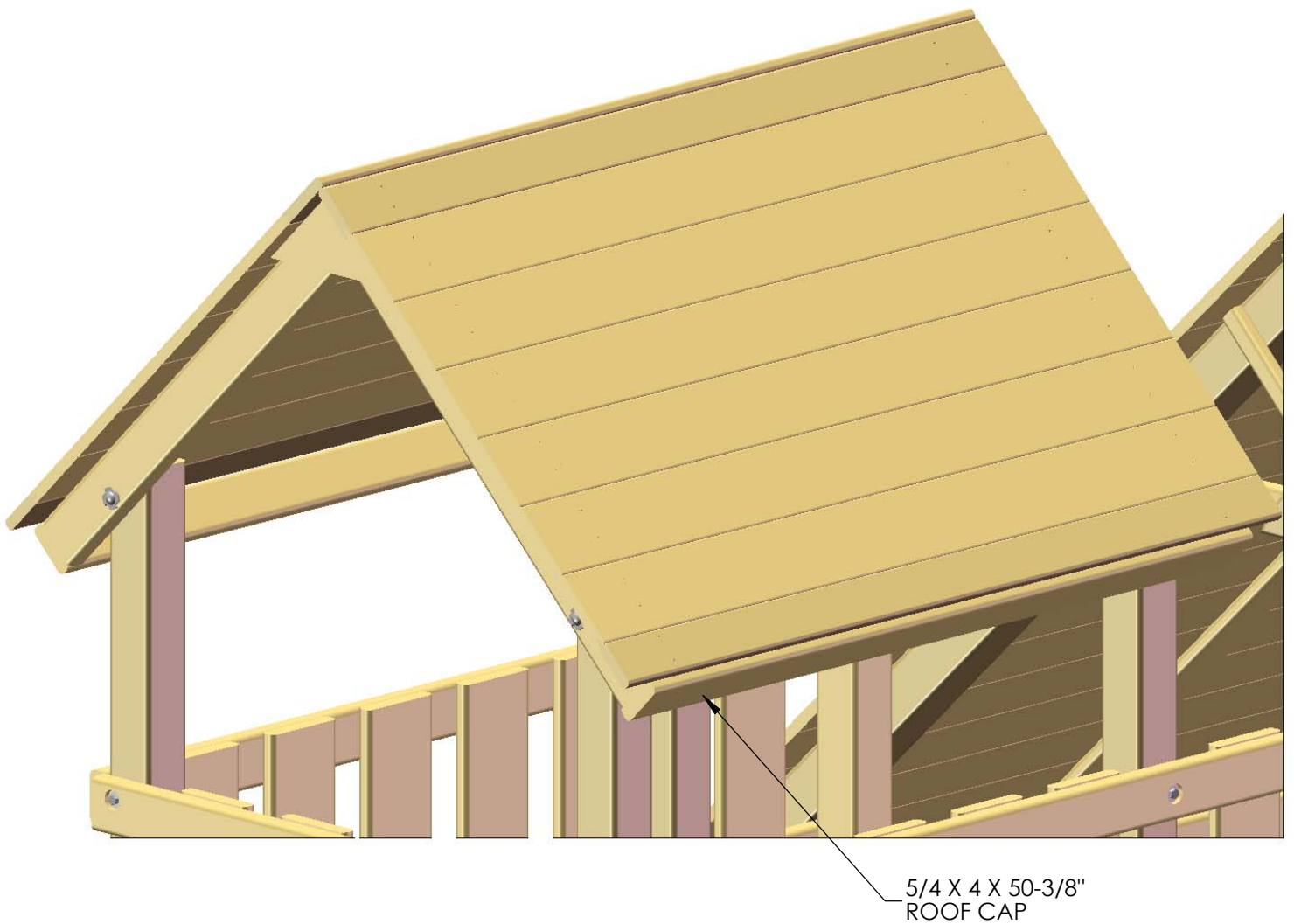
STEP 52: ROOF

- 1: FIND TWELVE 1 X 6 X 55" TONGUE AND GROOVE ROOF BOARDS, AND TWO 1 X 4 X 55" TONGUE ONLY ROOF FINISHERS. CENTER THE BOARDS ACROSS THE ROOF SUPPORTS, FITTING THE TONGUE END INTO THE GROOVE END OF EACH BOARD. EACH SIDE GETS SIX BOARDS.
- 2: ATTACH THE ROOF STARTERS TO THE ROOF SUPPORTS WITH TWO 1-1/2" WOOD SCREWS PER SIDE.
- 3: AFTER ALL ROOF BOARDS HAVE BEEN ATTACHED, PLACE A TONGUE ONLY ROOF FINISHER AT THE END OF THE ROOF ASSEMBLY.
- 4: ATTACH THE ROOF FINISHERS WITH TWO 1-1/2" WOOD SCREWS PER SIDE.



STEP 53: ROOF END CAPS

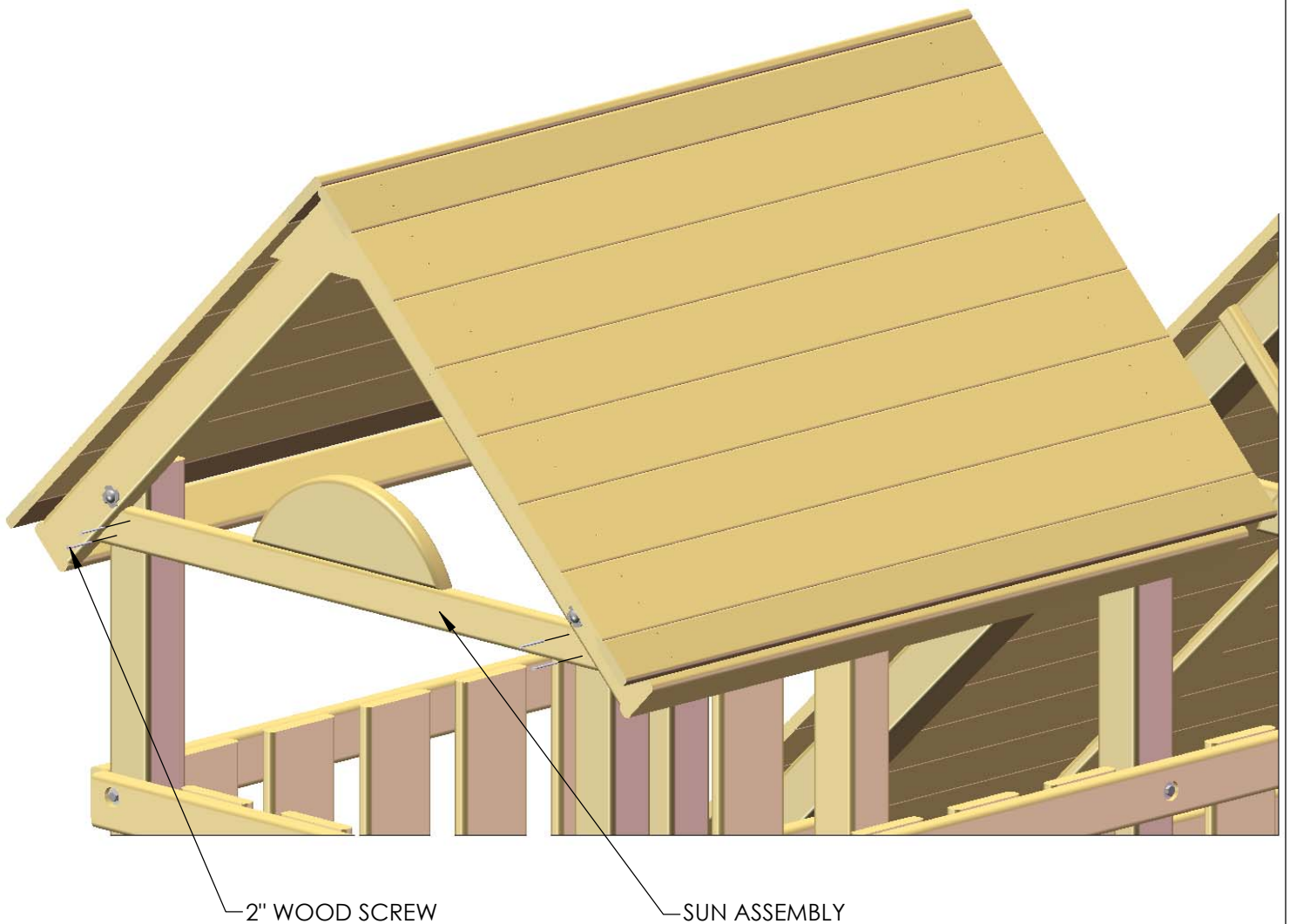
- 1: FIND TWO 5/4 X 4 X 50-3/8" END CAPS. THE END CAPS WILL MOUNT AT THE ENDS OF THE ROOF SUPPORT.
- 2: ATTACH THE END CAPS TO THE ROOF SUPPORTS WITH TWO 2" WOOD SCREWS PER SIDE.



STEP 54: SUN ASSEMBLY

1: FIND THE SUN ASSEMBLY. THE SUN ASSEMBLY WILL MOUNT UNDERNEATH THE ROOF SUPPORTS, AGAINST THE CORNER POSTS, WITH THE ANGLED ENDS FLUSH TO THE BOTTOM OF THE ROOF SUPPORTS. MAKE SURE THAT THE SIDE OF THE SUN THAT IS FLUSH TO THE SUN SUPPORT IS FACING TOWARDS THE INSIDE OF THE FORT.

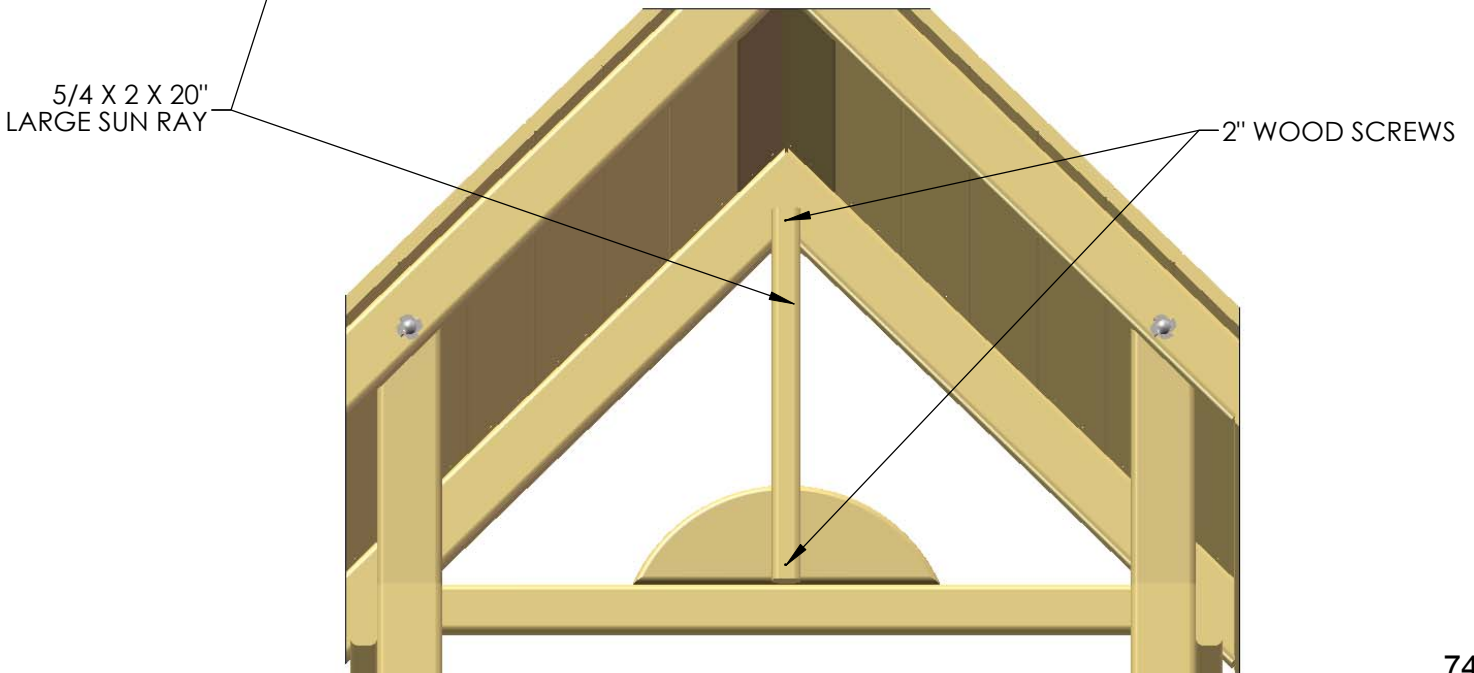
2: ATTACH THE SUN ASSEMBLY TO THE CORNER POSTS WITH TWO 2" WOOD SCREWS PER SIDE.



STEP 55: LARGE SUNRAY

1: FIND THE 5/4 X 2 X 20" LARGE SUNRAY. THE LARGE SUNRAY WILL MOUNT IN THE CENTER OF THE SUN ASSEMBLY FROM INSIDE THE FORT.

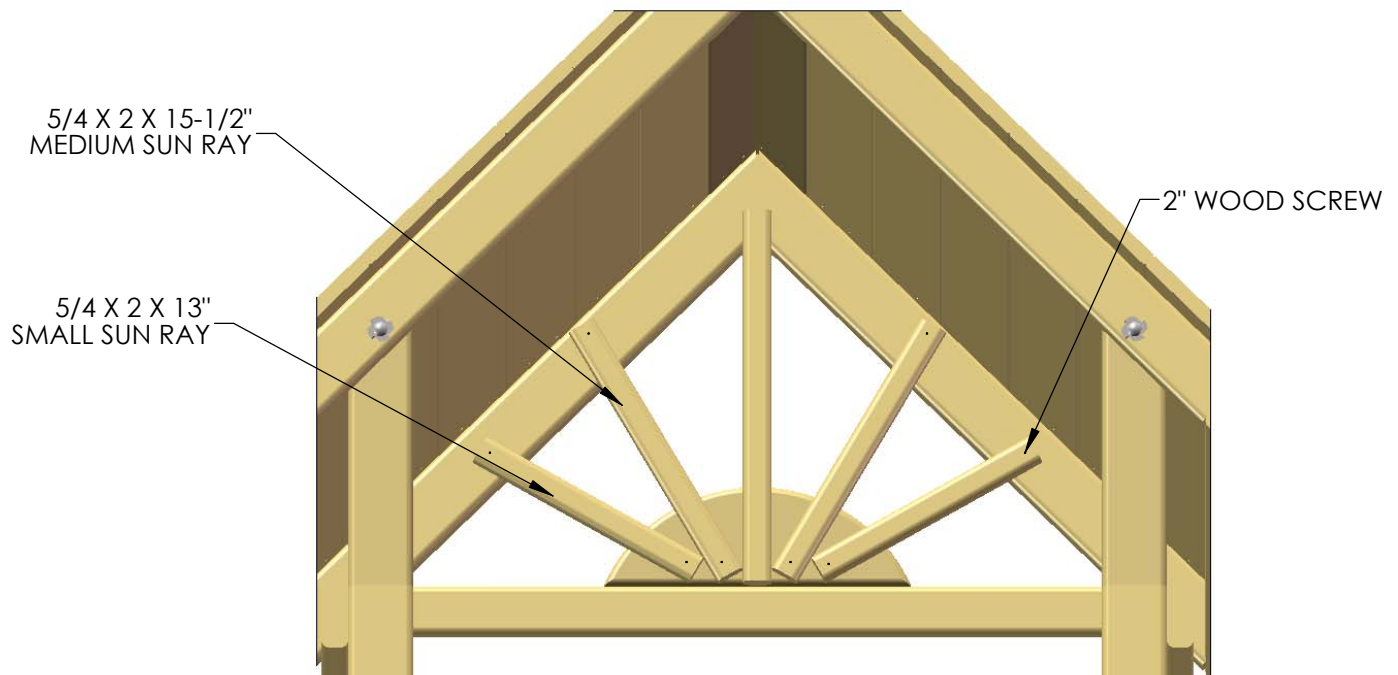
2: ATTACH THE LARGE SUNRAY TO THE SUN ASSEMBLY AND ROOF SUPPORTS WITH ONE 2" WOOD SCREW PER SIDE.



STEP 56: SUNRAYS

1: FIND TWO 5/4 X 2 X 15-1/2" MEDIUM SUNRAYS, AND TWO 5/4 X 2 X 13" SMALL SUNRAYS. THE SUNRAYS WILL MOUNT INSIDE THE FORT TO THE PATTERN SHOWN IN THE BOTTOM VIEW. EXACT PLACEMENT IS NOT NECESSARY AS LONG AS ONE SIDE IS THE SAME AS THE OTHER. IF YOU HAVE A SPEED SQUARE AVAILABLE THIS CAN AID YOU IN THIS PROCESS.

2: ATTACH THE SUNRAYS TO THE SUN ASSEMBLY AND ROOF SUPPORTS WITH ONE 2" WOOD SCREW PER SIDE.

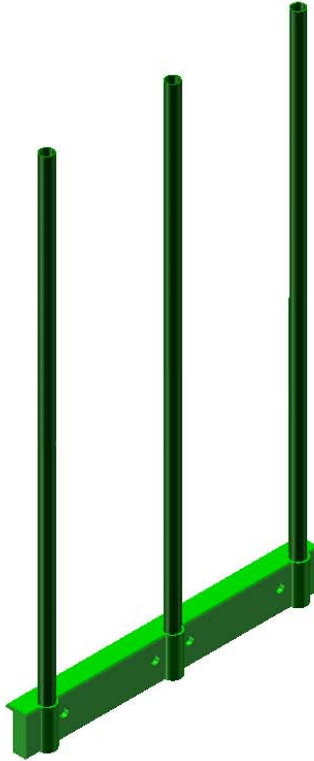


STEP 57: TIC TAC TOE

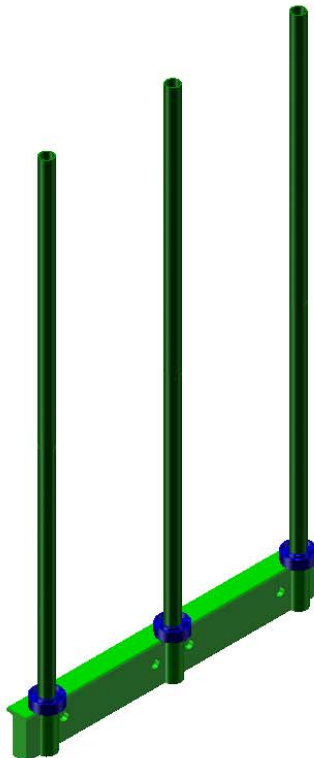
- 1: LOCATE THE GREEN DOWELS AND MATCH THEM AS FOLLOWS: ONE THREADED STUD END, AND ONE THREADED INSERT.
- 2: SCREW THE STUDS INTO THE INSERTS UNTIL TIGHT.
- 3: REPEAT STEPS 1 AND 2 WITH THE REMAINING TWO SETS



- 4: LOCATE ONE OF THE GREEN BRACKETS AND PLACE THE DOWELS IN AS SHOWN.



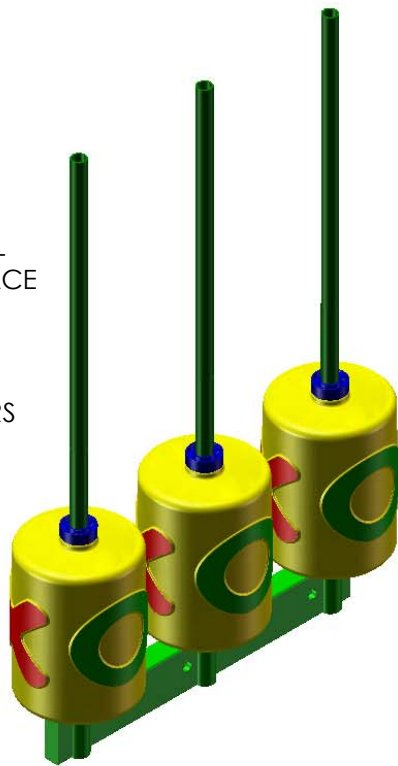
- 5: LOCATE THE BLUE COLLARS AND SLIDE THEM OVER THE DOWELS



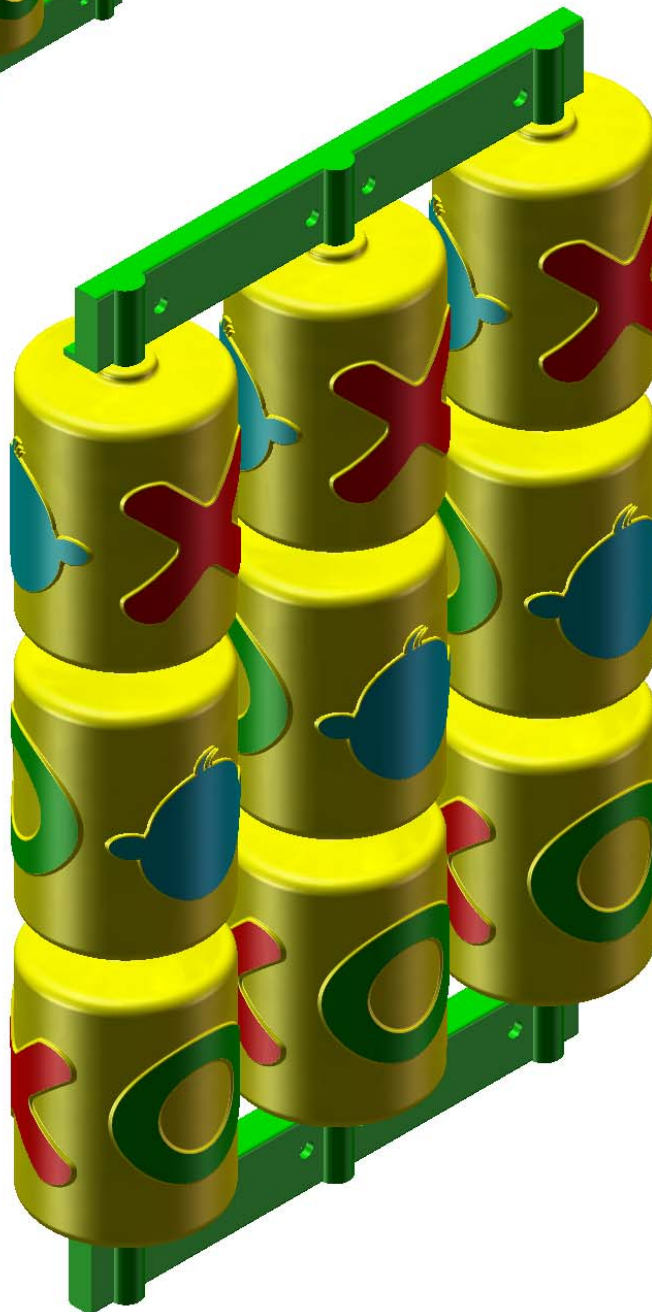
STEP 58: TIC TAC TOE

1: LOCATE THE TIC-TAC-TOE TUMBLERS AND PLACE ONE ON EACH DOWEL ABOVE THE COLLARS.

2: CONTINUE PLACING COLLARS AND TUMBLERS ON THE DOWELS UNTIL NONE REMAIN.



3: LOCATE THE GREEN BRACKET AND PLACE ON TOP OF ASSEMBLY. LINE UP THE HOLES IN THE BRACKET WITH THE DOWELS ON THE UNIT.



STEP 59: TIC-TAC-TOE PANEL

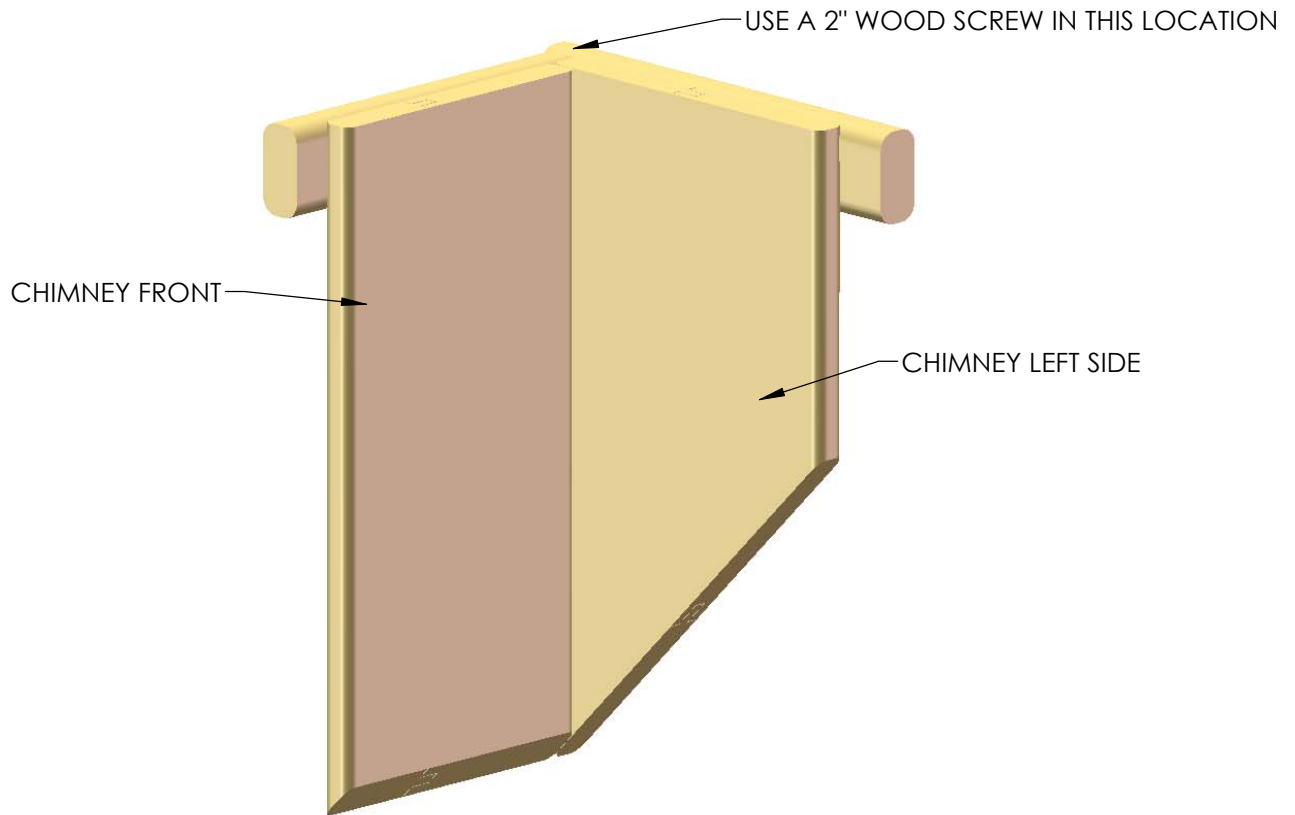
- 1: CENTER THE 1-3/4 X 1-1/2 X 10-3/4" BLOCK BETWEEN THE PANEL SLATS ON THE REAR WALL PANEL OF THE SKY LOFT, 4" FROM THE DECK, AND ATTACH WITH 2" WOOD SCREWS.
- 2: PLACE THE TIC-TAC-TOE PANEL ON THE PREVIOUSLY INSTALLED BOARD, AND THEN PLACE THE OTHER 1-3/4 X 1-1/2 X 10-3/4" BLOCK AT THE TOP OF THE TIC-TAC-TOE PANEL.
- 3: WITH A PENCIL, MAKE A MARK AT THE TOP OF THE BOARD AND SET THE ASSEMBLY ASIDE.
- 4: PLACE THE TIC-TAC-TOE PANEL BLOCK BACK AT THE MARK THAT WAS PREVIOUSLY MADE, AND ATTACH IT WITH 2" WOOD SCREWS.
- 5: PLACE THE TIC-TAC-TOE PANEL ON THE INSTALLED BLOCKS, AND ATTACH IT TO THE BLOCKS WITH THE PROVIDED WOOD SCREWS.



STEP 60: CHIMNEY

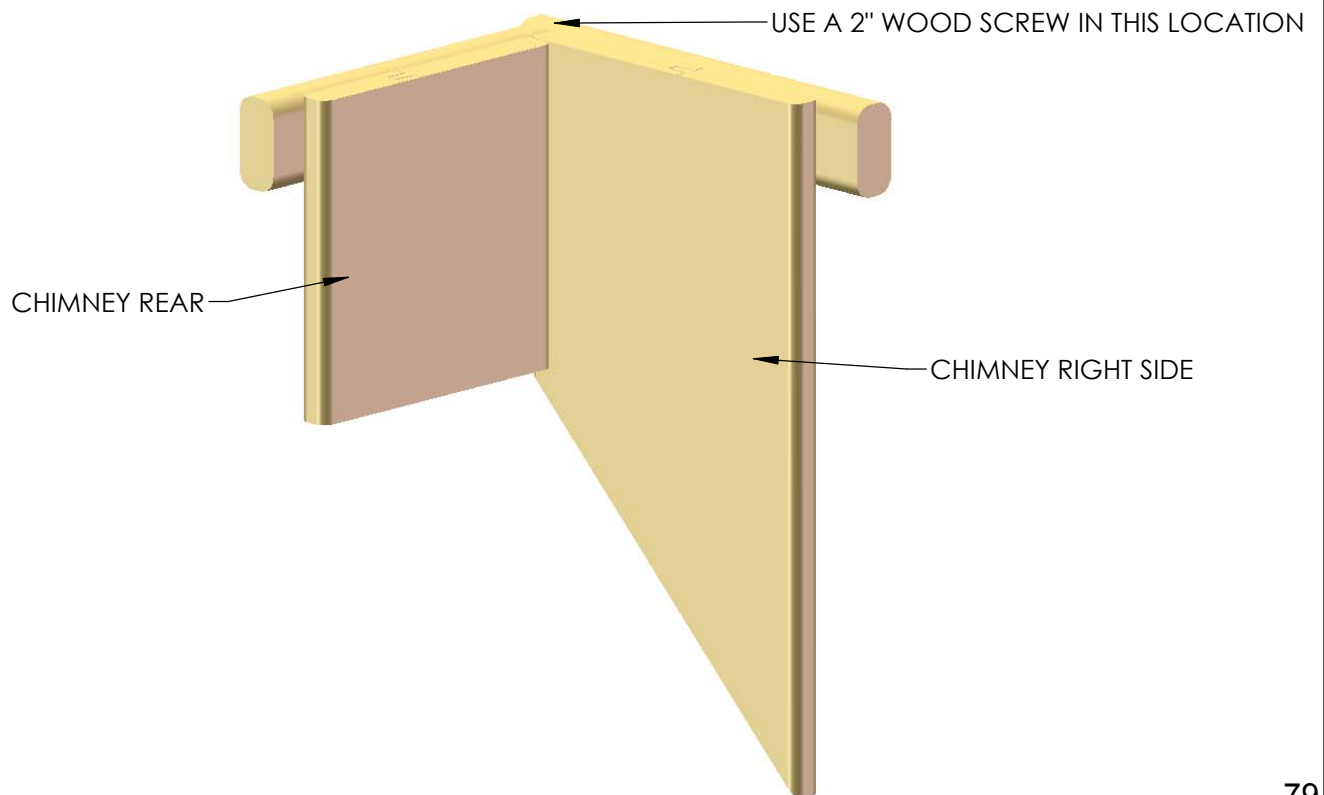
1: FIND THE FRONT AND LEFT SIDE OF THE CHIMNEY.

2: ATTACH THE FRONT AND LEFT SIDES OF THE CHIMNEY WITH A 2" WOOD SCREW.



1: FIND THE REAR AND RIGHT SIDE OF THE CHIMNEY.

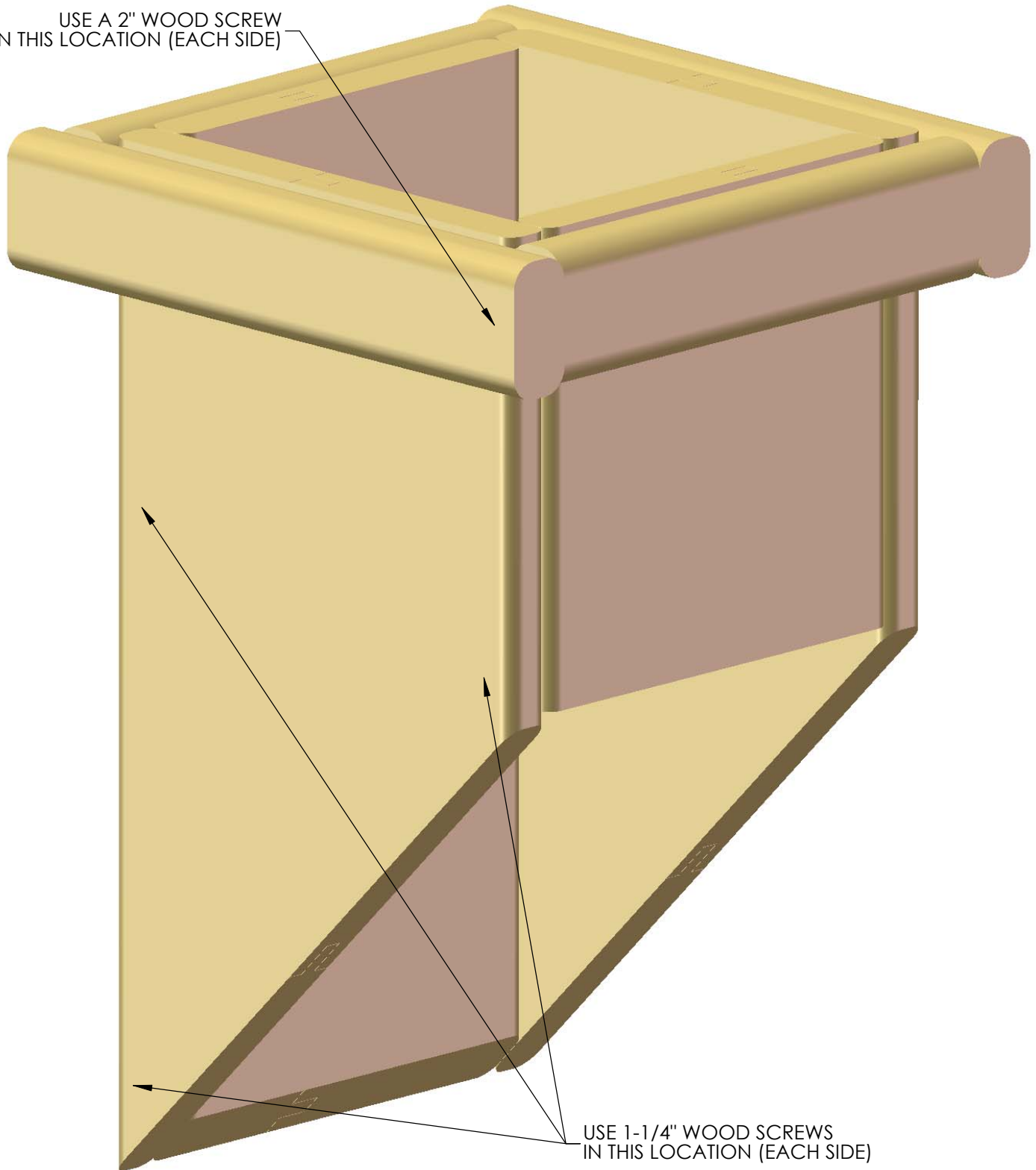
2: ATTACH THE REAR AND RIGHT SIDES OF THE CHIMNEY WITH A 2" WOOD SCREW.



STEP 61: CHIMNEY

1: ATTACH THE CHIMNEY SIDES FROM THE PREVIOUS SIDES TO FORM THE CHIMNEY WITH 2" AND 1-1/4" WOOD SCREWS.

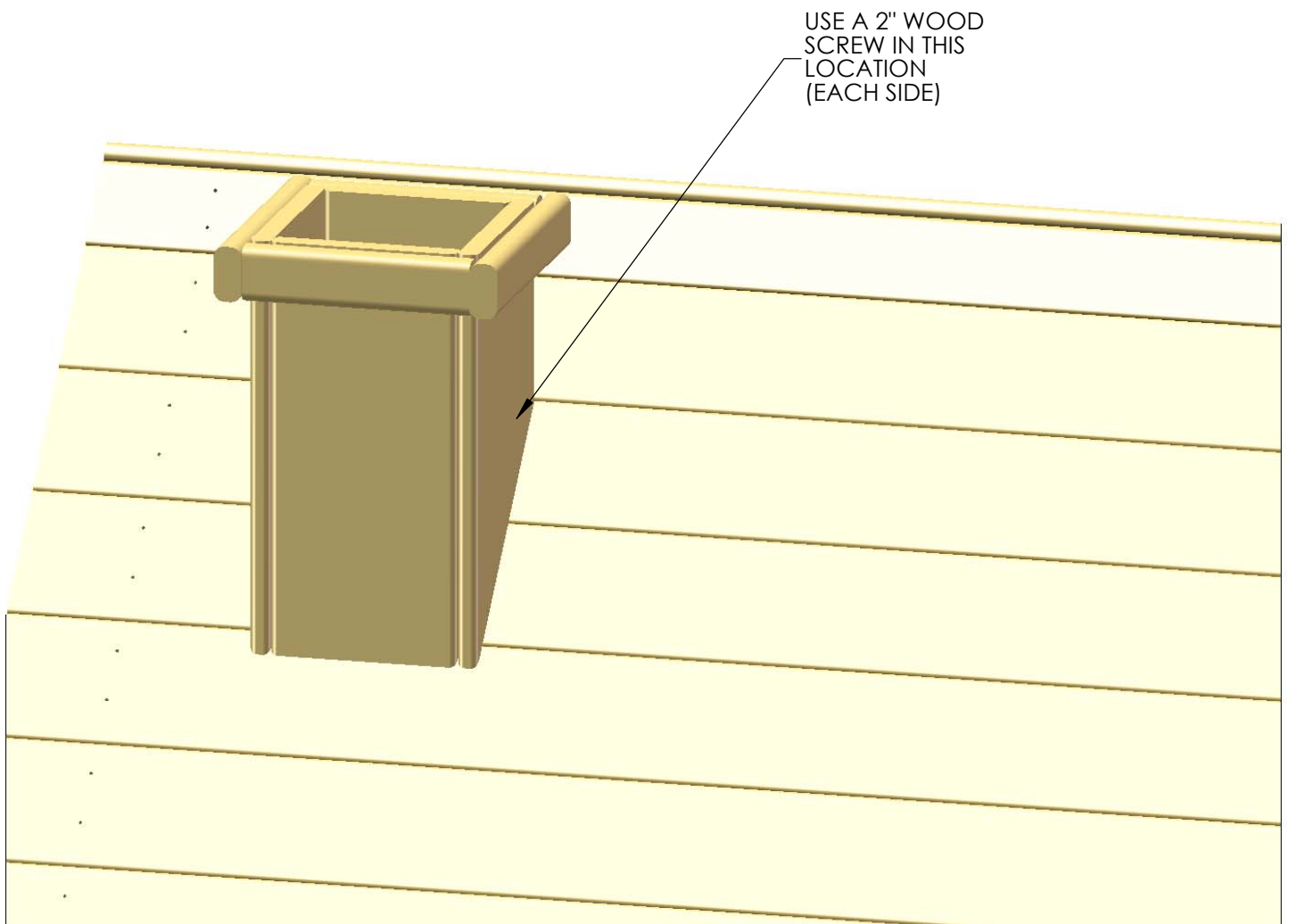
USE A 2" WOOD SCREW
IN THIS LOCATION (EACH SIDE)



USE 1-1/4" WOOD SCREWS
IN THIS LOCATION (EACH SIDE)

STEP 62: CHIMNEY

- 1: FASTEN THE 5/4 X 3 X 6-3/4" CHIMNEY MOUNTING BLOCK TO THE ROOF WITH 1-1/2" WOOD SCREWS. YOU CAN PLACE THE BLOCK AT ANY DESIRED PLACE ON THE ROOF. USE THE DIAGRAM BELOW AS A GUIDE AS TO WHERE YOU MIGHT INSTALL YOUR CHIMNEY.
- 2: AFTER INSTALLING THE CHIMNEY MOUNTING BLOCK, PLACE THE CHIMNEY ASSEMBLY ON THE ROOF SO THAT THE INSIDE OF THE BACK WALL RESTS AGAINST THE BLOCK.
- 3: FASTEN THE CHIMNEY TO THE CHIMNEY MOUNTING BLOCK WITH A 2" WOOD SCREW IN EACH SIDE.



STEP 63: FLAG KIT *NEW*

PLEASE NOTE THAT IN 2010 WE CHANGED OVER TO NEW FLAGS. ALSO IN 2010 WE DECREASED THE FLAG COUNT FROM 3 TO 2.

YOU MAY MOUNT THE FLAGS EITHER ON THE FRONT OF THE SWING BEAM OR ON THE FRONT OF THE FORT AT THE END OF THE SIDE RAILS.

