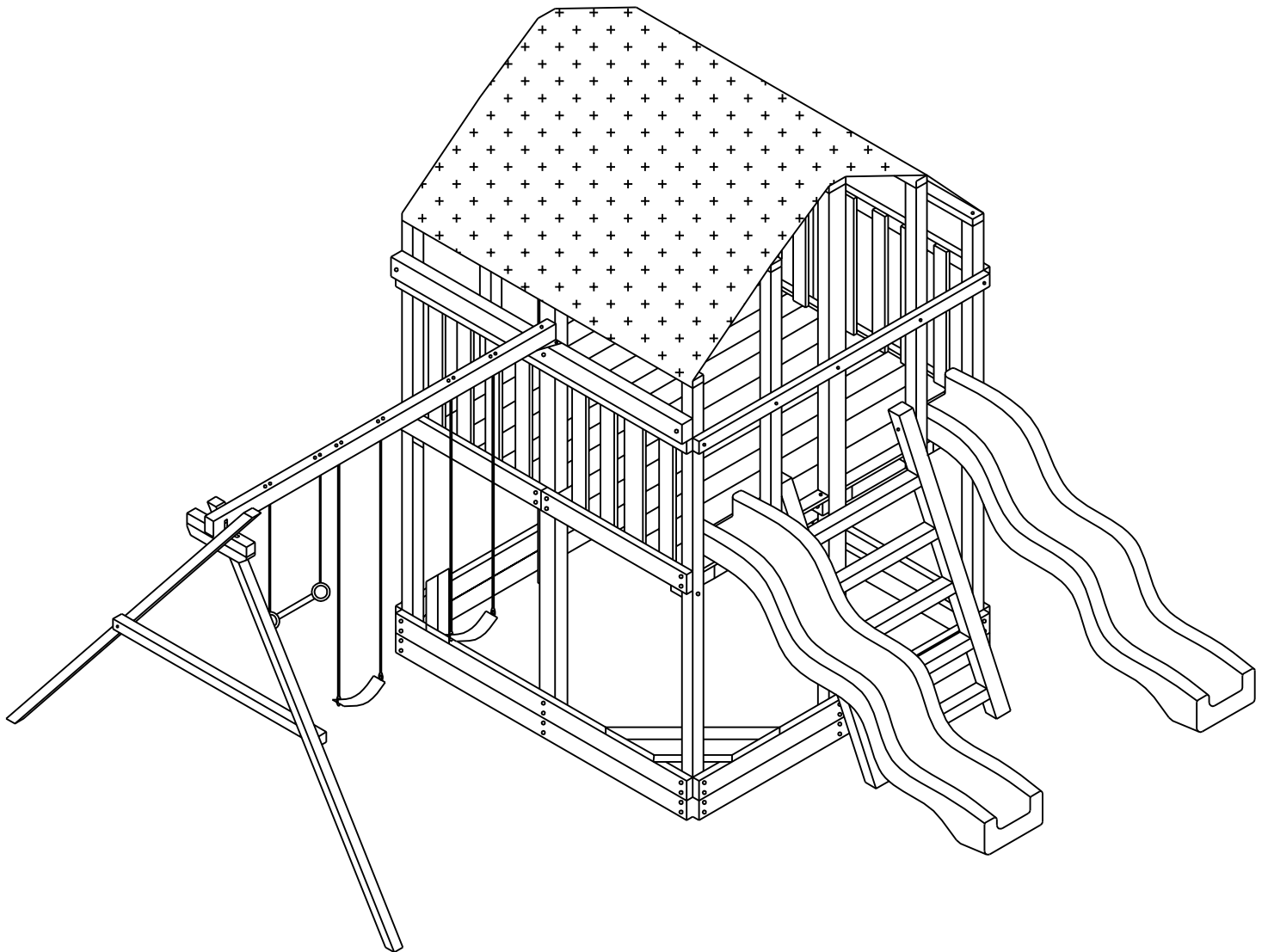




CHASE' S RETREAT



IMPORTANT

PLAY NATION PLAY SYSTEMS , INC.
492 COBB PARKWAY SOUTH
MARIETTA , GA. 30062
800 - 445 - PLAY

TELEPHONE : 770 - 424 - 7779 FAX : 770 - 424 - 3335

CHASE ' S RETREAT

SAVE THIS SET OF INSTRUCTIONS AND INFORMATION SHEET IN THE EVENT THE MANUFACTURER HAS TO BE CONTACTED. PLACE EQUIPMENT ON LEVEL GROUND , NOT LESS THAN 6 FT. (1.8 M) FROM ANY STRUCTURE OR OBSTRUCTION SUCH AS A FENCE , GARAGE , HOUSE , OVERHANGING BRANCHES , LAUNDRY LINES OR ELECTRICAL WIRES.

DO NOT INSTALL HOME PLAYGROUND EQUIPMENT OVER CONCRETE , ASPHALT , PACKED EARTH , OR ANY OTHER HARD SURFACE. A FALL ONTO A HARD SURFACE CAN RESULT IN SERIOUS INJURY TO THE EQUIPMENT USER. DO NOT USE EQUIPMENT UNTIL PROPERLY INSTALLED.

IT IS RECOMMENDED THAT ON-SITE ADULT SUPERVISION FOR CHILDREN OF ALL AGES BE PRESENT WHILE EQUIPMENT IS IN USE. PLEASE REFRAIN CHILDREN FROM WALKING CLOSE TO , IN FRONT OF , BEHIND OR BETWEEN MOVING ITEMS. REFRAIN CHILDREN FROM TWISTING SWING CHAINS OR ROPES SINCE THIS MAY REDUCE THE STRENGTH OF THESE ITEMS. WARN CHILDREN TO AVOID SWINGING EMPTY SEATS. TEACH CHILDREN TO SIT IN CENTER OF SWINGS WITH THEIR FULL WEIGHT ON THE SEATS. TEACH CHILDREN TO USE EQUIPMENT IN THE INTENDED MANNER. TEACH CHILDREN NOT TO GET OFF EQUIPMENT WHILE STILL IN MOTION. PARENTS SHOULD MAKE SURE CHILDREN ARE DRESSED APPROPRIATELY. FOR EXAMPLE WELL FITTING SHOES, THE AVOIDANCE OF PONCHOS , SCARVES AND OTHER LOOSE FITTING CLOTHING WHICH IS POTENTIALLY HAZARDOUS WHILE USING EQUIPMENT. REFRAIN CHILDREN FROM CLIMBING ON EQUIPMENT WHEN IT IS WET.

CHECK ALL NUTS AND BOLTS TWICE MONTHLY DURING THE USAGE SEASON FOR TIGHTNESS. TIGHTEN AS REQUIRED. IT IS PARTICULARLY IMPORTANT THAT THIS PROCEDURE BE FOLLOWED AT THE BEGINNING OF EACH SEASON.

CHECK ALL COVERINGS FOR BOLTS AND SHARP EDGES TWICE MONTHLY DURING USAGE SEASON TO BE CERTAIN THEY ARE IN PLACE. REPLACE WHEN NECESSARY. IT IS ESPECIALLY IMPORTANT TO DO THIS AT THE BEGINNING OF EACH NEW SEASON.

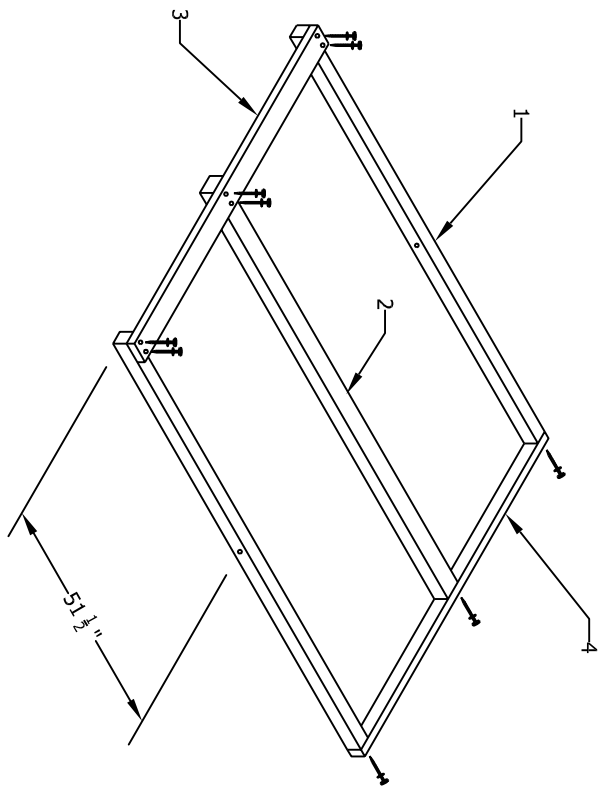
CHECK SWING SEATS AND CHAINS MONTHLY DURING USAGE SEASON FOR EVIDENCE OF DETERIORATION. REPLACEMENT SHOULD BE MADE AT FIRST SIGN OF DETERIORATION.

CHASE ' S RETREAT

STEP 1 - LAY OUT 2 CORNER POSTS (1) 4 X 4 AND 1 CENTER POST (2) 4 X 6 AS SHOWN. FASTEN 2 X 6 SAND BOX BOARD (3) FLUSH WITH BOTTOM OF POSTS WITH 3 1/2 " LAG SCREWS W/ 3/8 " WASHERS. FASTEN LAG SCREWS ONE AT A TIME.

REPEAT STEP TO COMPLETE OPPOSITE SIDE.

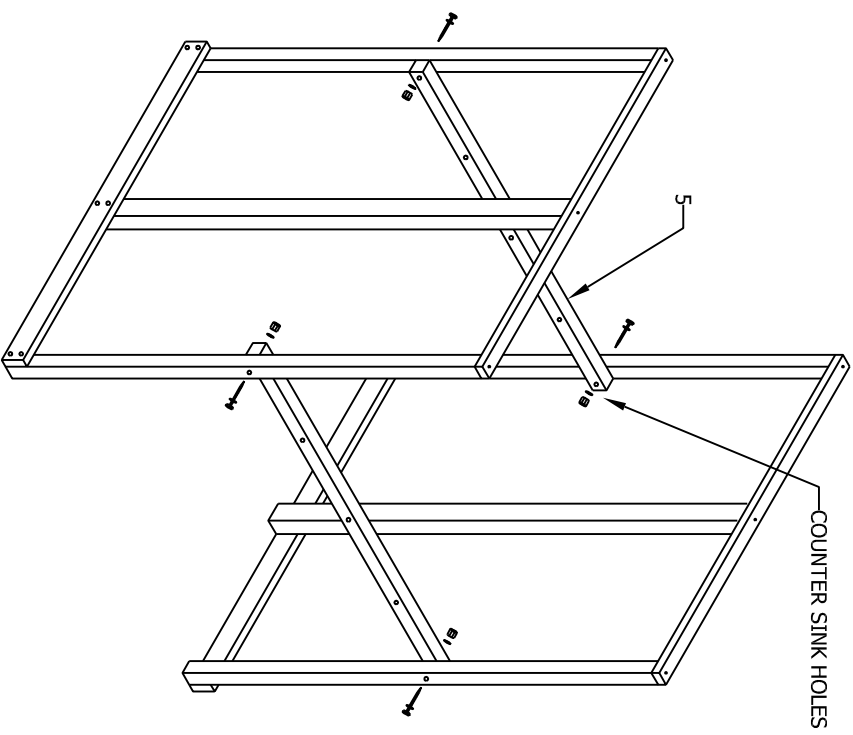
STEP 2 - FASTEN 2 X 4 TARP BOARD (4) TO TP OF THE 3 POSTS WITH 3 1/2 " LAG SCREWS W/ 3/8 " WASHERS AS SHOWN.



STEP 3 - NOW THAT THE SIDES ARE BUILT, PROP UP ONE SIDE AND FASTEN THE 5 HOLE 4 X 4 BLOCK SUPPORT (5) TO THE CORNER POSTS , MATCHING THE DRILL HOLES AT 51 1/2 " ON THE CORNER POSTS, WITH 6 1/2 " CARRIAGE BOLTS W/ WASHERS. MAKE SURE THE COUNTER SINK HOLES ARE TO THE INSIDE.

REPEAT STEP TO COMPLETE OPPOSITE SIDE.

NOTE
1/2 " WASHERS TO THE OUTSIDE OF THE POSTS
3/8 " WASHERS TO THE INSIDE OF THE BLOCK SUPPORTS



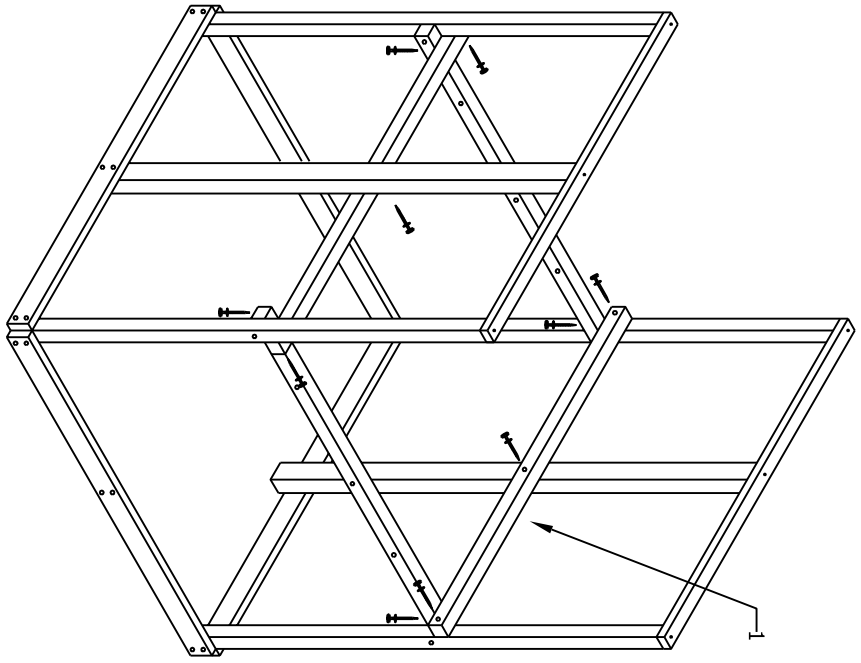
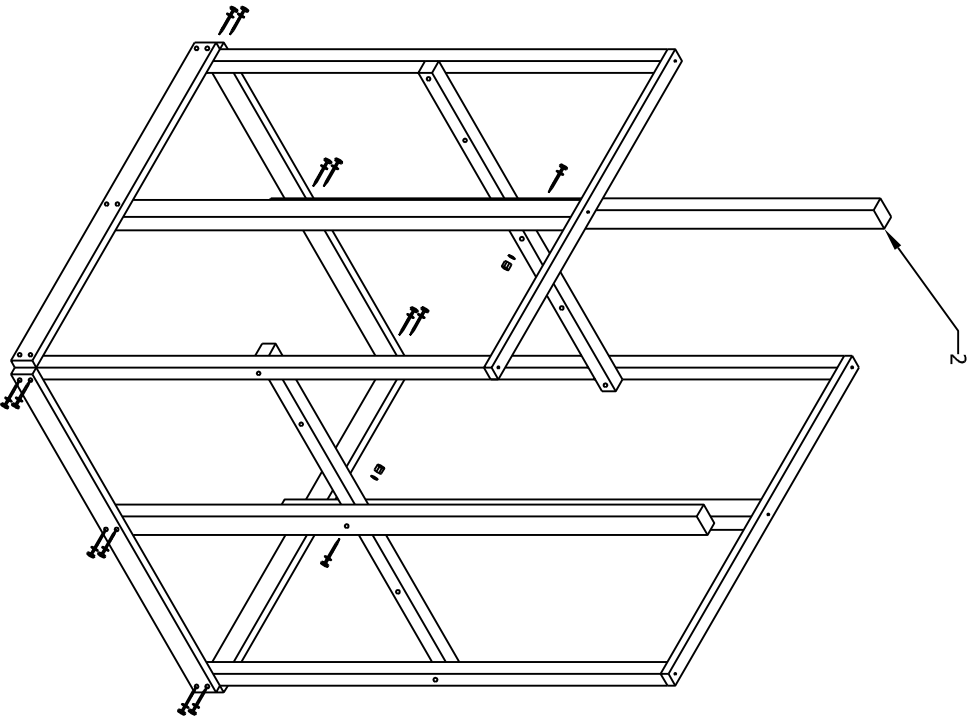
CHASE 'S RETREAT

STEP 5 - FASTEN FRONT AND BACK 2 X 6 SAND BOX BOARDS (1) FLUSH WITH BOTTOM OF CORNER AND CENTER POSTS WITH 3 1/2 " LAG SCREWS W/ 3/8 " WASHERS. CHECK FOR PLUMB AND LEVEL.

STEP 4 - FASTEN THE 4 X 4 DECK SUPPORTS (1) FLUSH TO THE CENTER AND CORNER POSTS, ON TOP OF THE BLOCK SUPPORTS WITH 5 " LAG SCREWS W/ 3/8 " WASHERS. FASTEN THE DECK SUPPORTS TO THE BLOCK SUPPORTS WITH 5 " LAG SCREWS W/ 3/8 " WASHERS FROM UNDERNEATH.

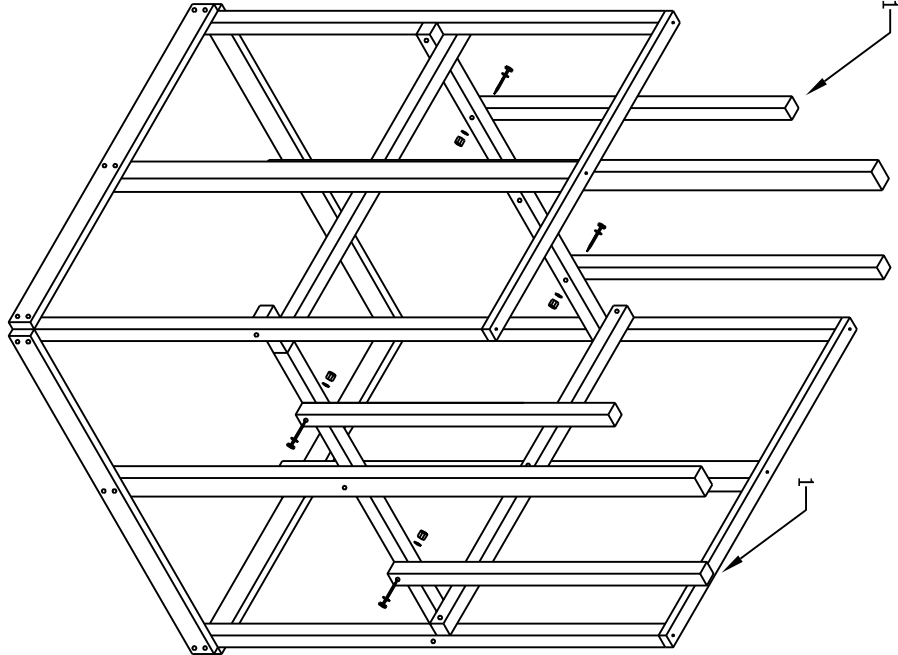
STEP 6 - FASTEN FRONT AND BACK 4 X 6 CENTER POSTS (2) FLUSH WITH BOTTOM OF BLOCK SUPPORTS WITH 6 1/2 " CARRIAGE BOLTS W/ WASHERS AT PILOT HOLES.

NOTE
1/2 " WASHERS TO THE OUTSIDE OF THE POSTS
3/8 " WASHERS TO THE INSIDE OF THE BLOCK SUPPORTS

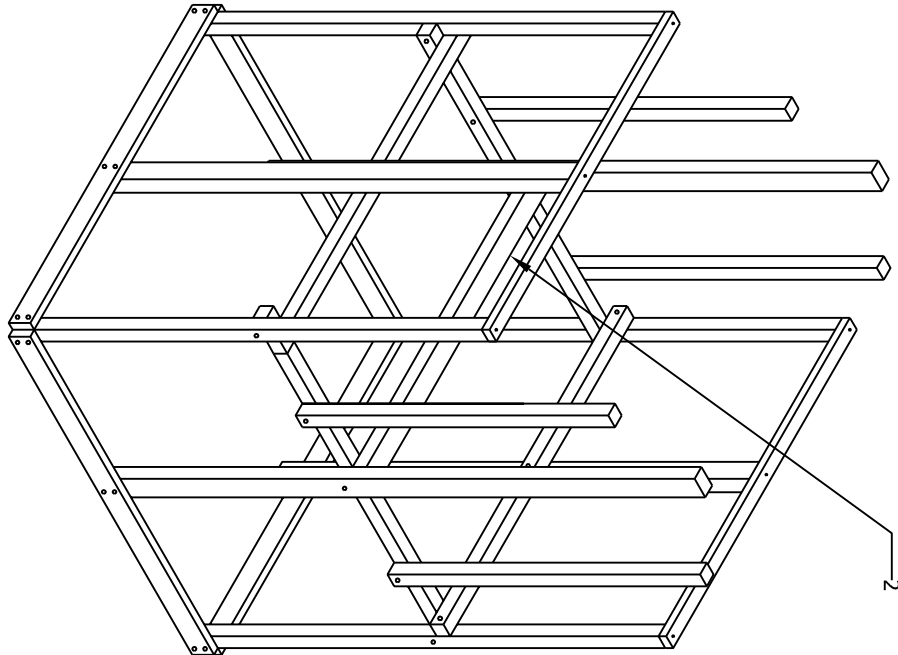


CHASE 'S RETREAT

STEP 7 - LOCATE CENTER BETWEEN FRONT CENTER POSTS AND FRONT CORNER POSTS, FASTEN 4 X 4 LAG POSTS (1) AT CENTER POINTS, FLUSH WITH THE BOTTOM OF THE BLOCK SUPPORT WITH 6 1/2 " CARTRIDGE BOLTS W/ WASHERS.



STEP 8 - PLACE 4 X 6 TIRE SWING SUPPORT (2) FLUSH WITH THE 4 X 6 FRONT AND BACK CENTER POSTS ON TOP OF THE BLOCK SUPPORTS.



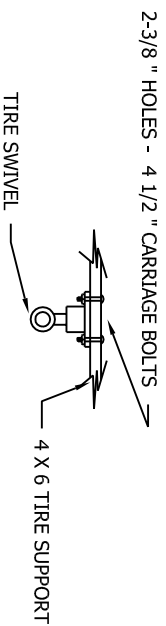
CHASE 'S RETREAT

STEP 9 - LOCATE CENTER OF TIRE SWING BEAM SUPPORT. PLACE CENTER OF TIRE SWING SWIVEL AT CENTER MARK OF TIRE SWING BEAM AND MARK LOCATION OF HOLES. PROCEED TO DRILL 2- 3/8" PILOT HOLES THROUGH TIRE SWING BEAM SUPPORT. SEE DETAIL 1.

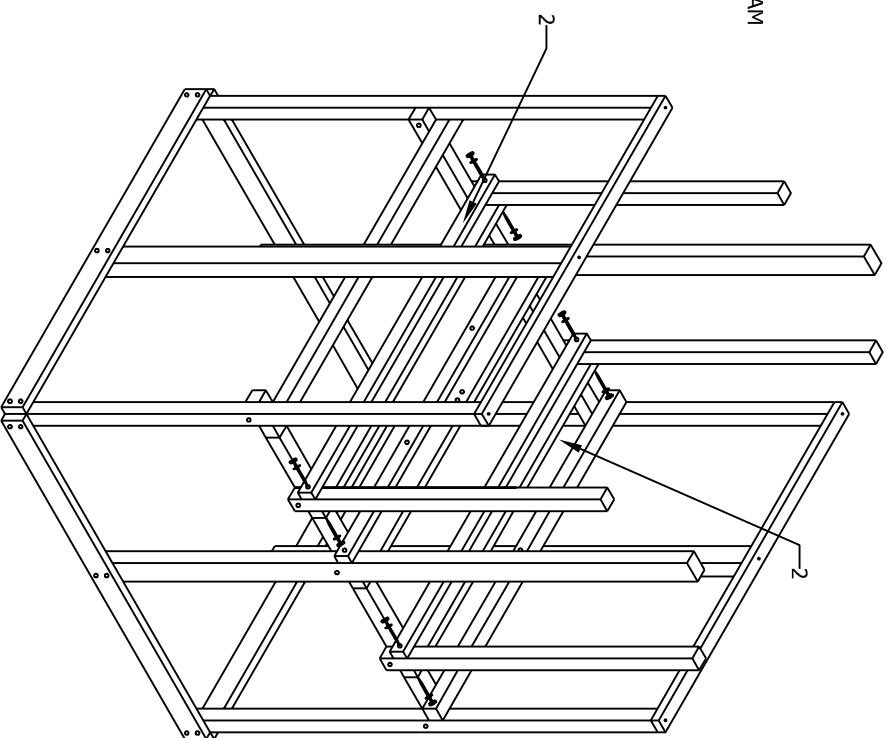
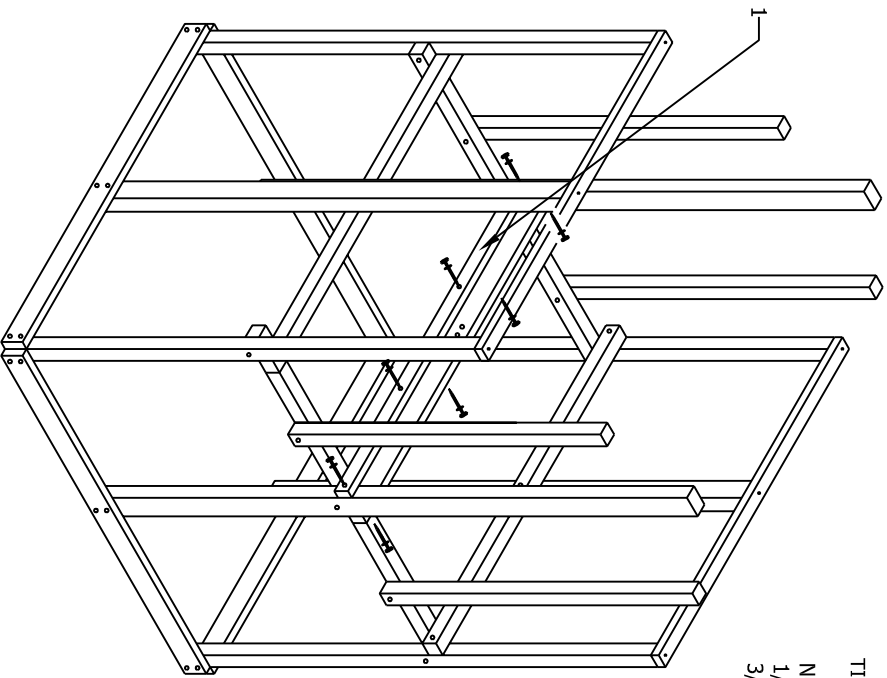
STEP 11 - PLACE 2 X 4 DECK SUPPORTS (2) FLUSH WITH EDGE OF EACH LAG POST ON TOP OF THE BLOCK SUPPORTS. FASTEN TO LAG POSTS WITH 3 1/2" LAG SCREWS W/ 3/8" WASHERS.

STEP 10 - FASTEN 2 X 4 CENTER DECK SUPPORT (1) FLUSH WITH THE 4 X 6 CENTER POSTS AND AGAINST THE TIRE SWING BEAM SUPPORT WITH 3 1/2" LAG SCREWS W/ 3/8" WASHERS TO CENTER POSTS AND TIRE SWING SUPPORT.

DETAIL 1



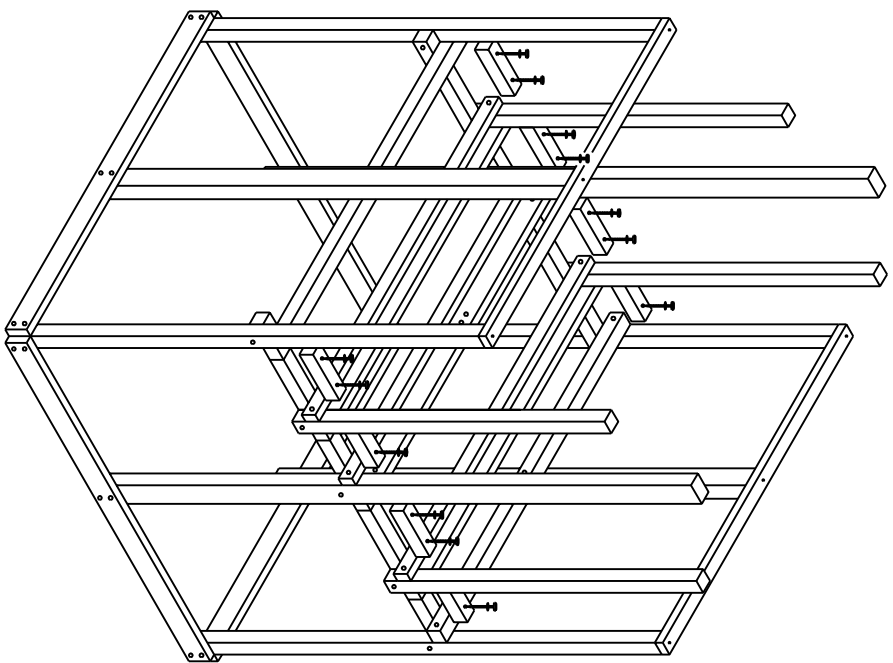
NOTE
1/2" WASHERS TO THE TOP OF THE TIRE SWING BEAM
3/8" WASHERS TO THE BOTTOM OF THE TIRE SWING BEAM



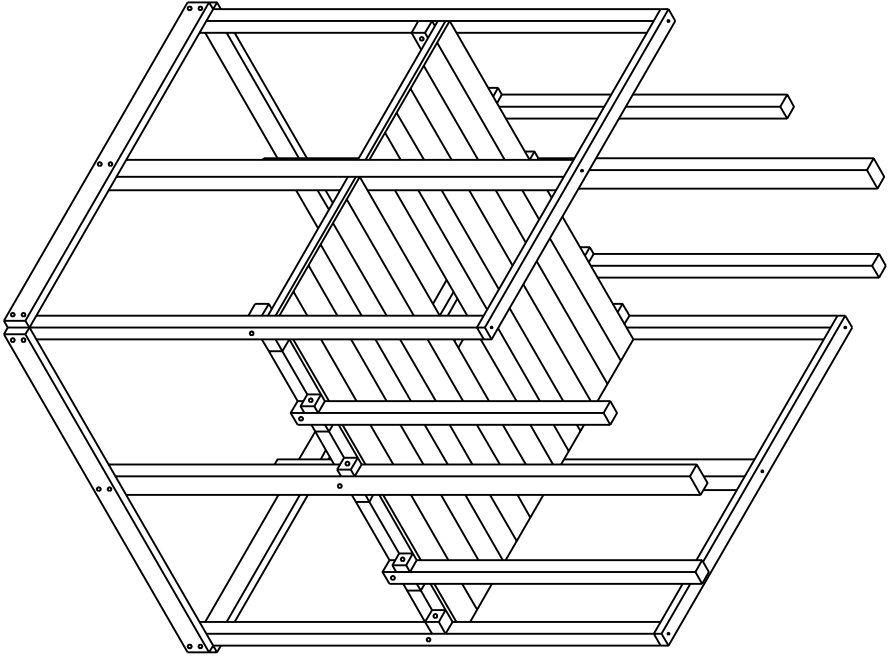
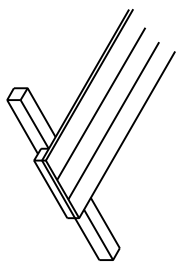
CHASE 'S RETREAT

STEP 12 - PLACE 4 X 4 BLOCK SPACERS (1) BETWEEN THE 2 X 4 CENTER DECK SUPPORTS AND THE 4 X 4 END DECK SUPPORTS. FASTEN BLOCK SPACERS TO THE BLOCK SUPPORTS FROM THE TOP WITH 5 " LAG SCREWS W/ 3/8 " WASHERS.

STEP 13 - PLACE DECK PANELS IN PLACE ON TOP OF DECK SUPPORTS ALLOWING STREAMERS TO OVER LAP DECK SUPPORTS. NO SCREWS ARE NEEDED. SEE DETAIL 1.

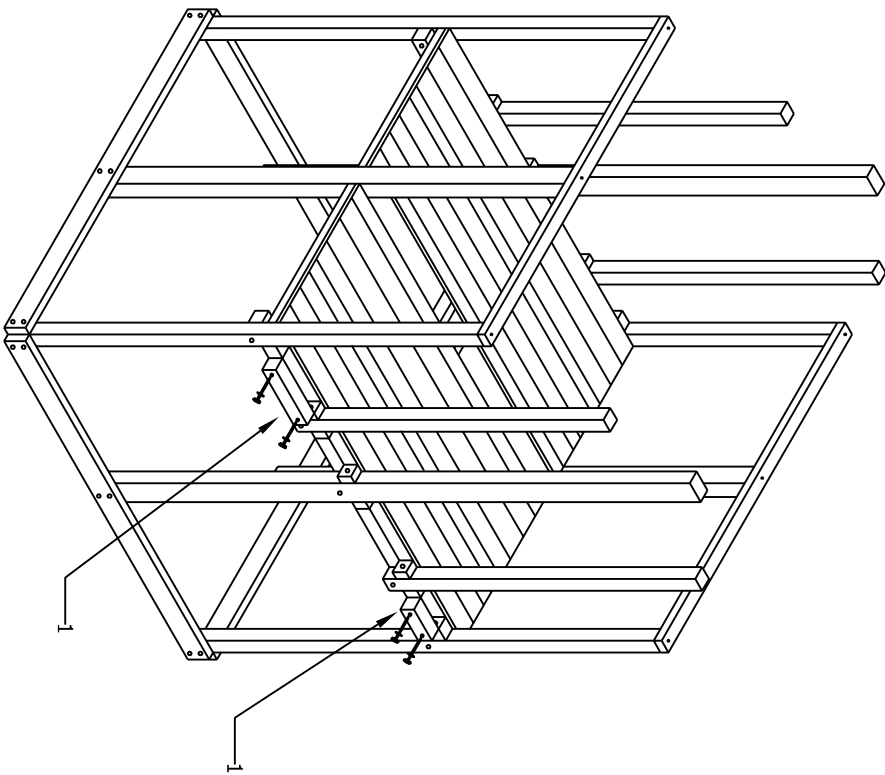


DETAIL 1



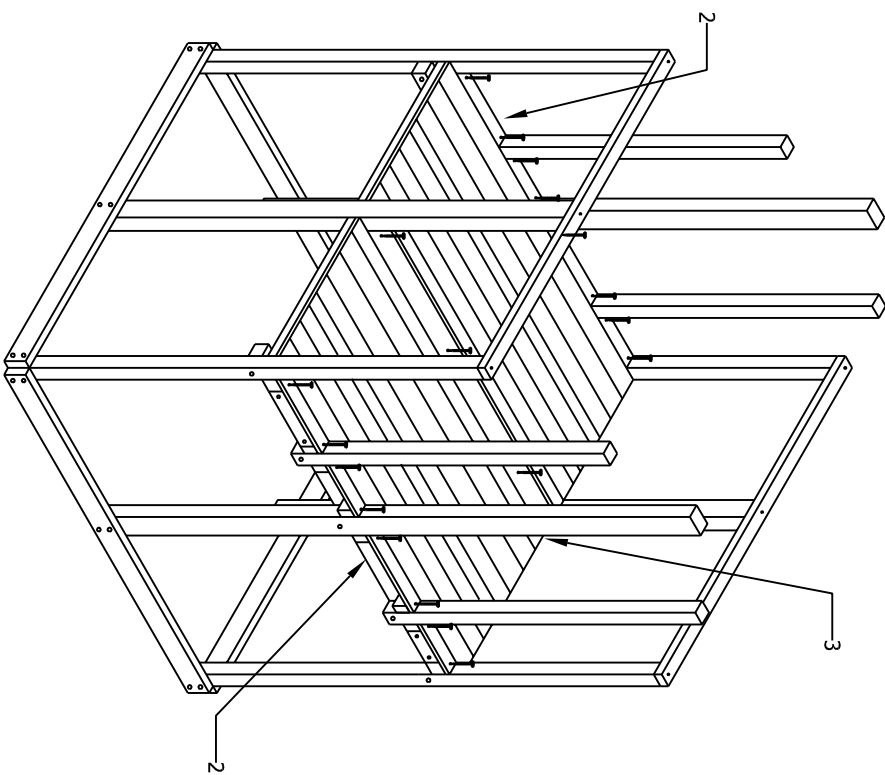
CHASE 'S RETREAT

STEP 14 - PLACE 4 X 4 SLIDE BLOCKS (1) AGAINST FRONT OF BLOCK SUPPORT BETWEEN THE CENTER AND END DECK SUPPORTS ON EACH END OF THE FORT. FASTEN THE BLOCKS TO THE BLOCK FROM THE FRONT WITH 5 " LAG SCREWS W/ 3/8 " WASHERS.



STEP 15 - PLACE SHORT 5/4 DECK SPACERS (2) BETWEEN THE CORNER AND CENTER POSTS ON TOP OF THE CENTER AND END DECK SUPPORTS. FASTEN DECK SPACERS TO THE CENTER AND END DECK SUPPORTS FROM TOP WITH WOOD SCREWS.

STEP 16 - PLACE LONG 5/4 DECK SPACER (3) BETWEEN THE 4 X 6 CENTER POSTS ON TOP OF THE CENTER AND DECK SUPPORTS. FASTEN THE DECK SPACER TO THE CENTER AND END DECK SUPPORTS WITH WOOD SCREWS.



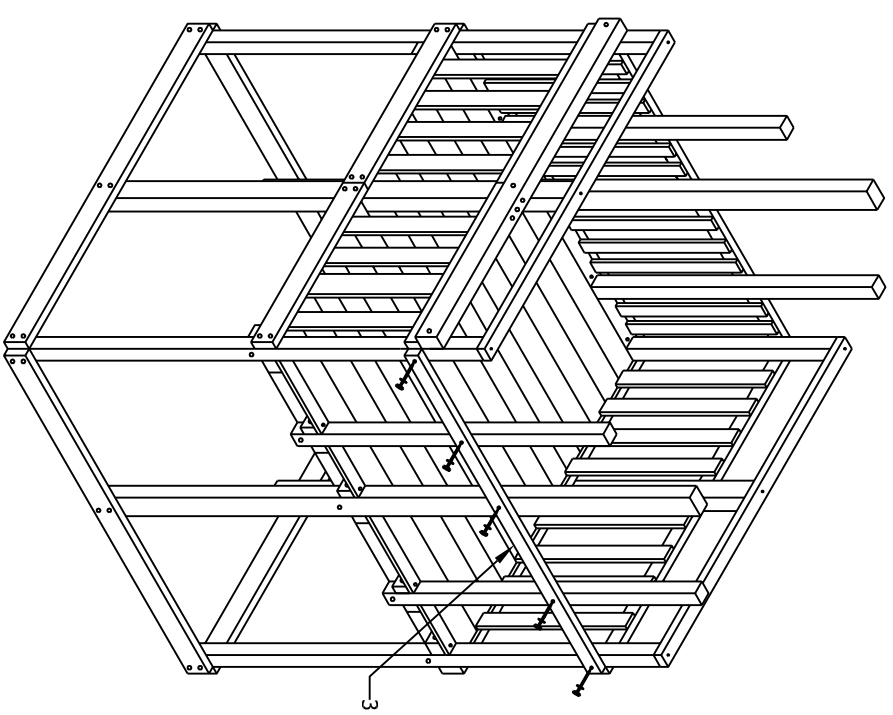
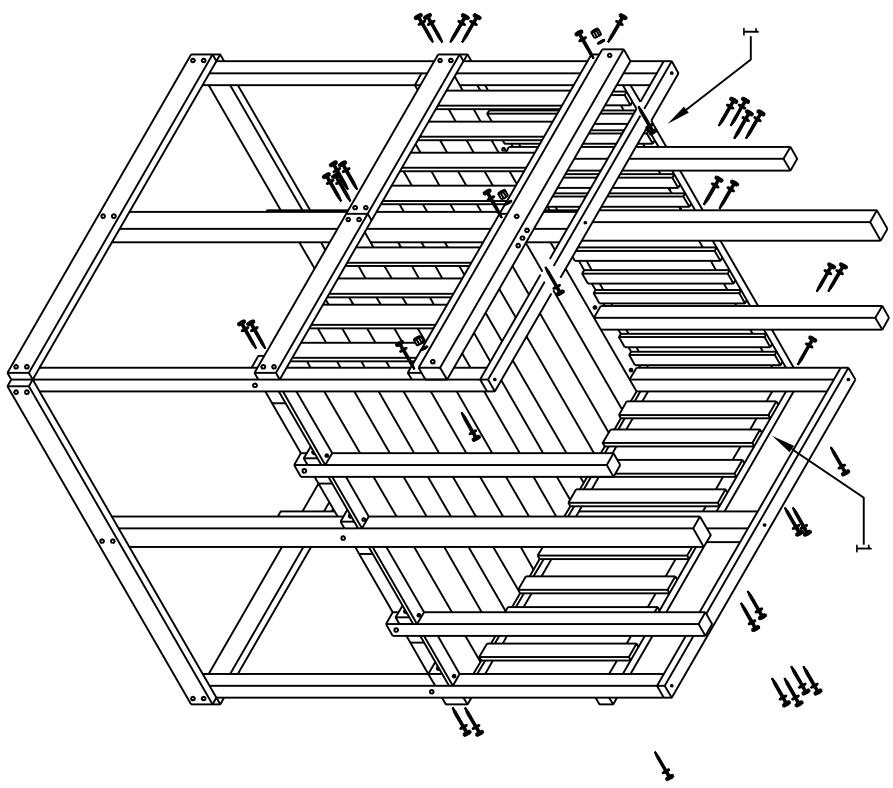
CHASE 'S RETREAT

STEP 17 - PLACE THE 3 WALL PANELS (1) FLUSH AGAINST THE CORNER AND CENTER POSTS, ALLOWING PANEL BOARDS TO REST ON TOP OF THE DECK. FASTEN WALL PANELS TO CORNER AND CENTER POSTS WITH 3 1/2 " LAG SCREWS W/ 3/8 " WASHERS AT TOP AND BOTTOM.

STEP 19 - PLACE TOP PANEL BOARD (3) PERPENDICULAR WITH TOP PANEL BOARD OF SIDE WALL PANEL AND FLUSH WITH EDGES OF THE CORNER POSTS. FASTEN TO CORNER AND CENTER POSTS WITH 3 1/2 " LAG SCREWS W/ 3/8 " WASHERS.

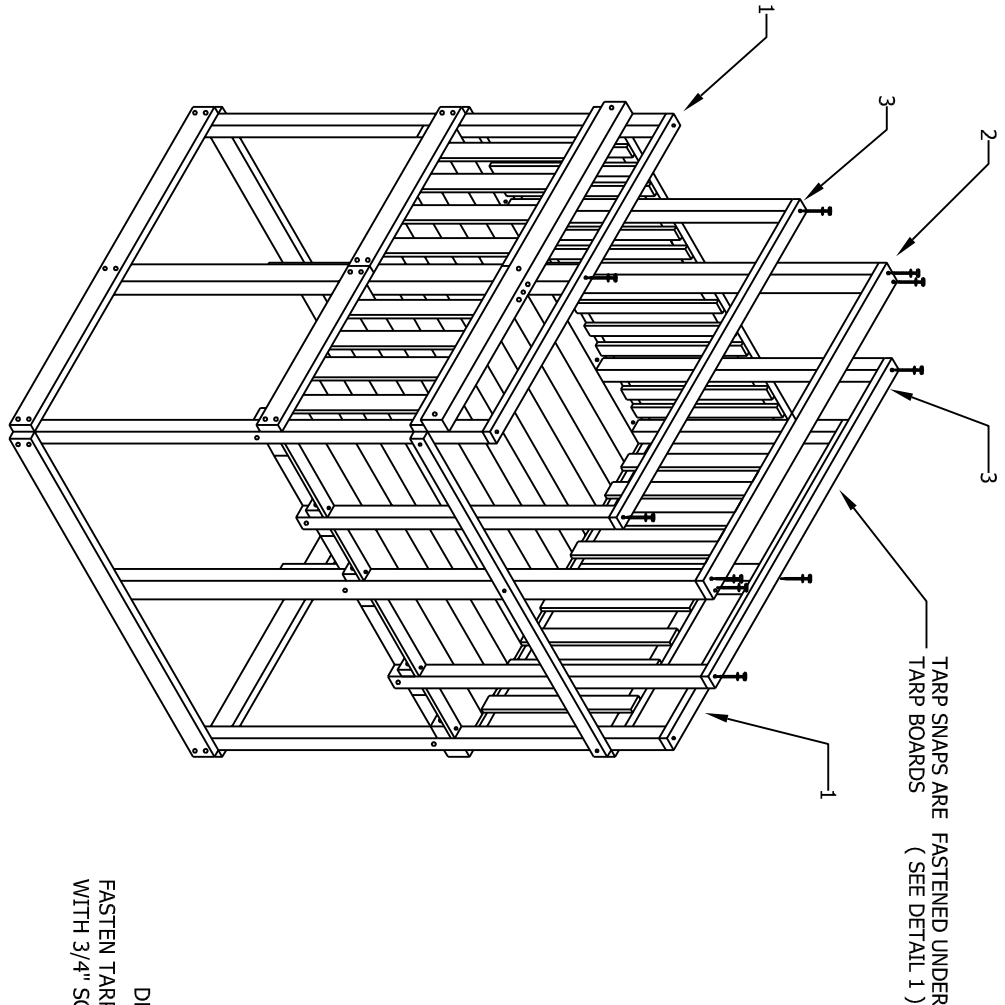
STEP 18 - PLACE 4 X 6 SWING BEAM SUPPORT (2) FLUSH AGAINST THE CORNER POSTS (SWING BEAM SUPPORT MAY BE MOUNTED ON EITHER SIDE) AND ON TOP OF TOP 2 X 4 PANEL BOARD OF SIDE WALL. FASTEN SWING BEAM SUPPORT TO CORNER POSTS WITH 6 1/2 " CARRIAGE BOLTS W/ WASHERS. (INSTALLER MUST PRE DRILL PILOT HOLES FOR CARRIAGE BOLTS)

NOTE
1/2 " WASHERS TO THE INSIDE OF THE POSTS
3/8 " WASHERS TO THE OUTSIDE OF THE SWING BEAM SUPPORT

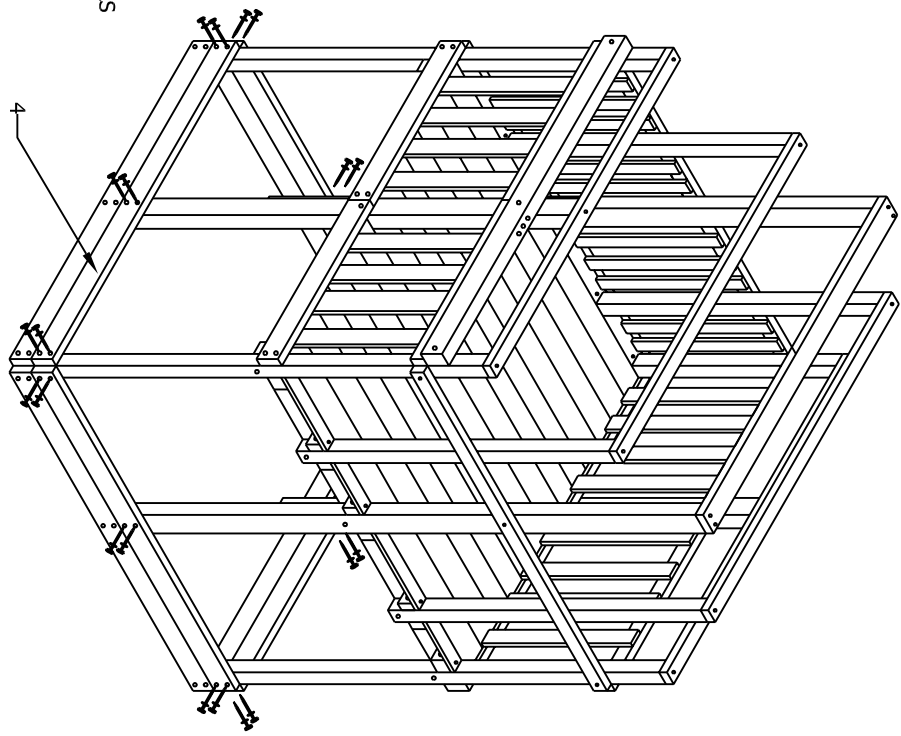


CHASE 'S RETREAT

STEP 20 - FASTEN 2 X 4 END TARP BOARDS (1) FLUSH ON TOP OF THE CORNER AND SIDE CENTER POSTS WITH 3 1/2 " LAG SCREWS W/ WASHERS. FASTEN 2 X 6 CENTER TARP BOARD (2) FLUSH ON TOP OF THE FRONT AND BACK CENTER POSTS WITH 3 1/2 " LAG SCREWS W/ 3/8 " WASHERS. FASTEN THE LAG POST TARP BOARDS (3) FLUSH ON TOP OF THE FRONT AND BACK LAG POSTS WITH 3 1/2 " LAG SCREWS W/ 3/8 " WASHERS.

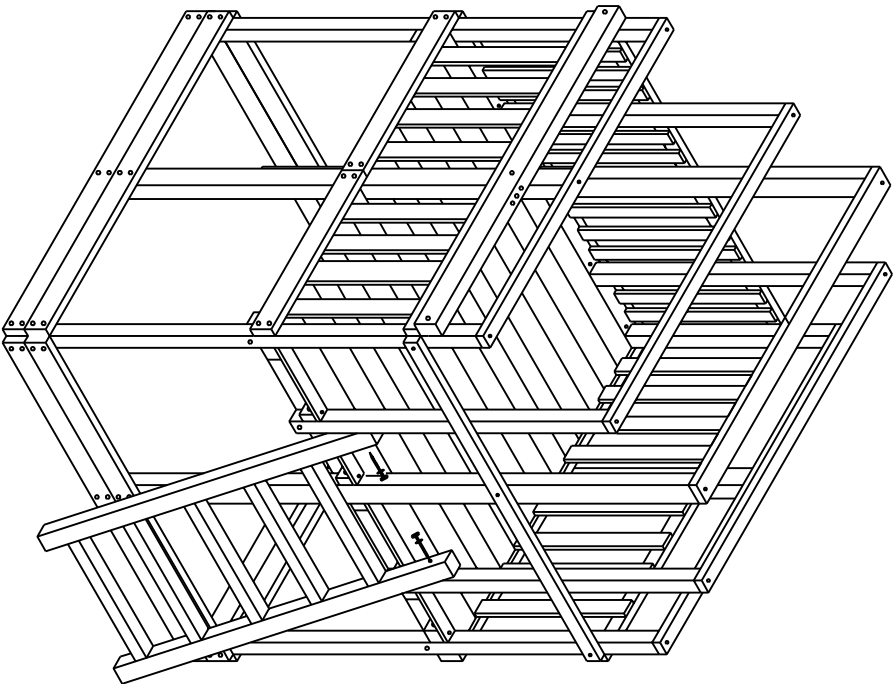


STEP 21 - PLACE REMAINING 2 X 6 SAND BOX BOARDS (4) FLUSH WITH CORNER POSTS ON TOP OF BOTTOM SAND BOX BOARDS. FASTEN TO CORNER AND CENTER POSTS WITH 3 1/2 " LAG SCREWS W/ 3/8 " WASHERS.



DETAIL 1
FASTEN TARP SNAPS UNDER TARP RAILS WITH 3/4" SCREWS.

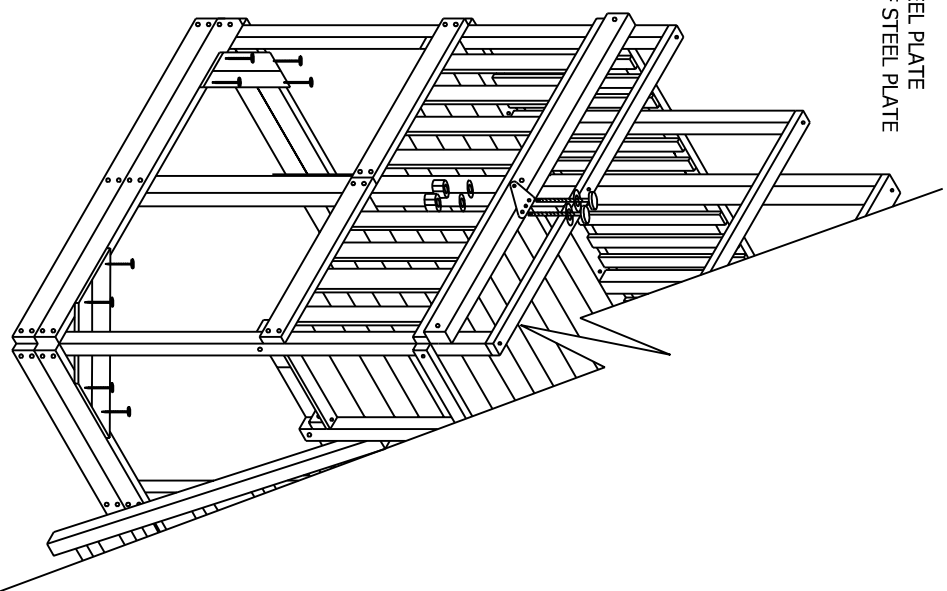
STEP 22 - PLACE LADDER BETWEEN FRONT LAG POSTS AGAINST DECK SPACERS. FASTEN THE LADDER TO LAG POSTS FROM INSIDE AT TOP WITH 5 " LAG SCREWS W/ 3/8 " WASHERS.



STEP 23 - FASTEN SWING BEAM SUPPORT PLATE TO SWING BEAM SUPPORT WITH 2 - 5 1/2 " CARRIAGE BOLTS W/ WASHERS AT PILOT HOLES IN SWING BEAM SUPPORT. MIDDLE BOLT W/ WASHER WILL BE ADDED LATER.

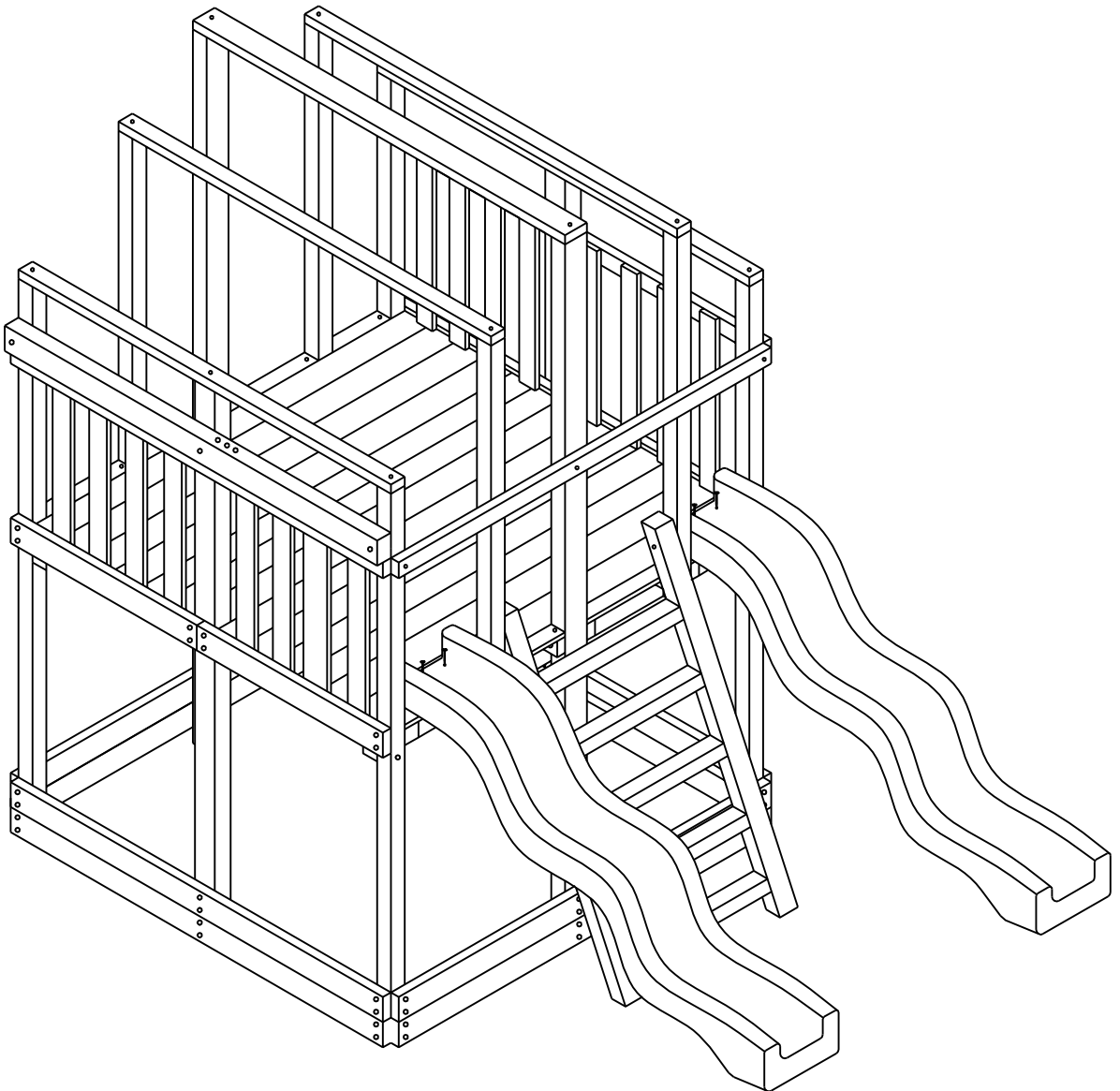
STEP 24 - PLACE SAND BOX BENCHES (1) CADDIE CORNER ON TOP OF SAND BOX BOARDS, FLUSH ON THE EDGES. FASTEN THE SAND BOX BENCHES TO THE SAND BOX BOARDS WITH WOOD SCREWS AT ALL 4 CORNERS OF THE PLAYSET.

NOTE
1/2 " WASHER TO TOP OF STEEL PLATE
3/8 " WASHER TO BOTTON OF STEEL PLATE



CHASE ' S RETREAT

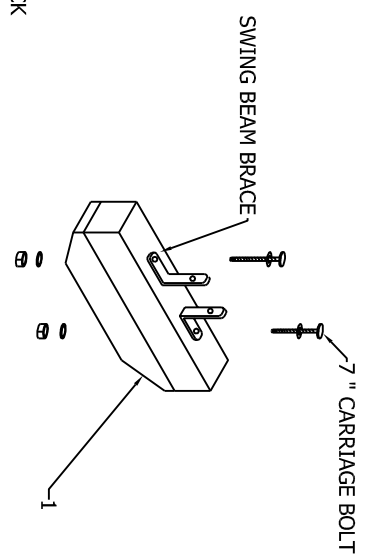
STEP 25 - PLACE THE SLIDE ON TOP OF THE DECK, BETWEEN THE CORNER AND CENTER POSTS. ALIGN THE PILOT HOLES OVER THE BLOCK SUPPORT. FASTEN THE SLIDE THROUGH THE DECK AND THE BLOCK SUPPORT WITH WOOD SCREWS.



CHASE 'S RETREAT

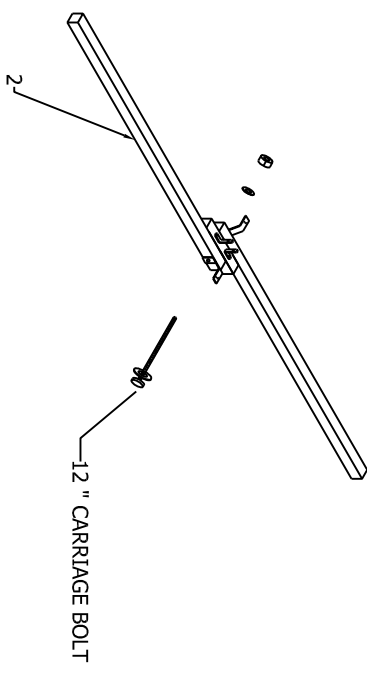
STEP 26 - BOLT SWING BEAM BLOCK SUPPORT (1) TOGETHER WITH 7" CARRIAGE BOLTS W/ WASHERS THROUGH SWING BEAM BRACE. PLACE 1/2" WASHER ON TOP SIDE OF BLOCK AND 3/8" WASHER ON BOTTOM SIDE OF BLOCK.

NOTE
1/2" WASHERS TO THE TOP OF THE SB BLOCK
3/8" WASHERS TO THE BOTTOM OF THE SB BLOCK



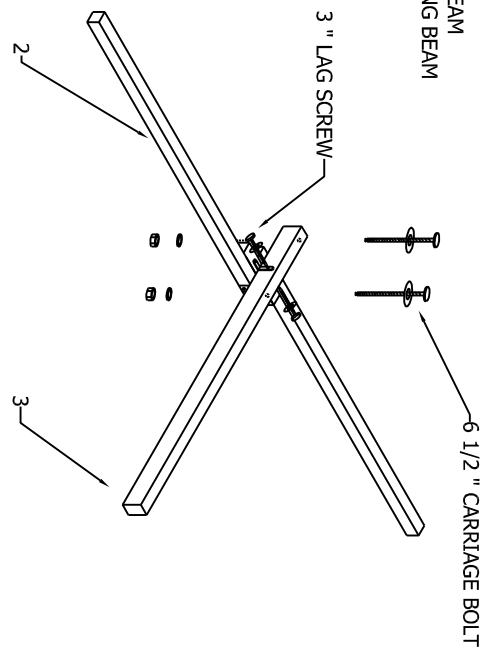
STEP 27 - PLACE SWING BEAM BLOCK (1) FLAT ON GROUND. PLACE SWING BEAM LEGS (2) BESIDE THE BEAM BLOCK. HOLD IN PLACE AND SLIDE 12" CARRIAGE BOLT THROUGH, 45 X 45 BRACE, 4 X 4 LEG, BEAM BLOCKING, 4 X 4 LEG AND 45 X 45 BRACE.

NOTE
1/2" WASHERS TO THE CARRIAGE BOLT
3/8" WASHERS TO THE NUT



STEP 28 - PLACE SWING BEAM (3) BETWEEN SWING BEAM BRACES. FASTEN FROM UNDERNEATH THROUGH 45 X 45 BRACES AND SWING BEAM WITH 6 1/2" CARRIAGE BOLTS W/ WASHERS. ALSO FASTEN SWING BEAM TO BEAM BRACE WITH 3" LAG SCREWS W/ WASHERS. ANGLE THE LAG SCREWS SLIGHTLY UP AND DOWN.

NOTE
1/2" WASHERS TO THE TOP OF THE SWING BEAM
3/8" WASHERS TO THE BOTTOM OF THE SWING BEAM



CHASE ' S RETREAT

STEP 29 - PICK UP SWING BEAM AND LEG ASSEMBLY, AS YOU LIFT THE BEAM, THE LEGS WILL SCISSOR CLOSER TOGETHER. PLACE END OF BEAM ON TOP OF STEEL PLATE AND FASTEN WITH 1 1/2 " CARRIAGE BOLT W/ WASHER FROM TOP OF BEAM THROUGH MIDDLE HOLE. FASTEN 5 " LAG SCREW W/ 3/8 " WASHER TO JOIN STEEL PLATE AND SWING BEAM FROM UNDERNEATH.

STEP 30 - FASTEN 4 X 4 LEG BRACE (1) TO 4 X 4 LEGS WITH 5 " LAG SCREWS W/ 3/8 " WASHERS. MAKE SURE NOT TO ALLOW LEG BRACE TO EXTEND TOO MUCH PAST LEGS. LEVEL SYSTEM AND TIGHTEN ALL BOLTS.

STEP 31 - COMPLETE FASTENING OF BEAM LEGS WITH 5 " LAG SCREWS W/ 3/8 " WASHERS. SEE DETAIL 1.

STEP 32 - FASTEN SWING HANGERS AT PILOT HOLES IN SWING BEAM WITH 6 1/2 " CARRIAGE BOLTS W/ WASHERS. THEN PROCEED TO HANG SWING CHAINS AND SWINGS. SEE DETAIL 2.

NOTE
1/2 " WASHERS TO THE TOP OF THE SWING BEAM
3/8 " WASHERS TO THE BOTTOM OF THE SWING BEAM

NOTE
1/2 " WASHER TO THE TOP SIDE OF THE SWING BEAM
3/8 " WASHER TO THE BOTTOM SIDE OF THE SWING BEAM

