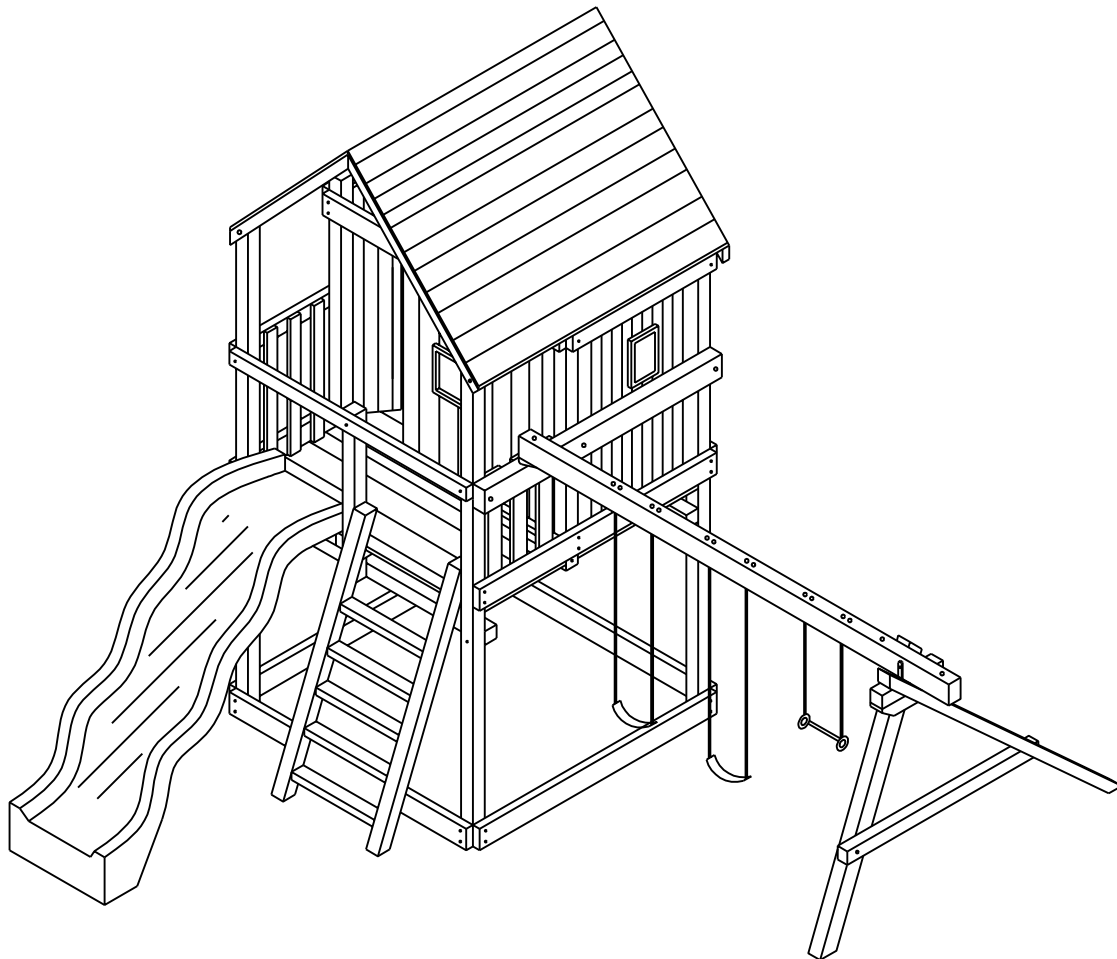




# CHALET



# IMPORTANT

PLAY NATION PLAY SYSTEMS , INC.  
492 COBB PARKWAY SOUTH  
MARIETTA , GA. 30062  
800 - 445 - PLAY

TELEPHONE : 770 - 424 - 7779 FAX : 770 - 424 - 3335

## CHALET

SAVE THIS SET OF INSTRUCTIONS AND INFORMATION SHEET IN THE EVENT THE MANUFACTURER HAS TO BE CONTACTED. PLACE EQUIPMENT ON LEVEL GROUND , NOT LESS THAN 6 FT. ( 1.8 M ) FROM ANY STRUCTURE OR OBSTRUCTION SUCH AS A FENCE , GARAGE , HOUSE , OVERHANGING BRANCHES , LAUNDRY LINES OR ELECTRICAL WIRES.

DO NOT INSTALL HOME PLAYGROUND EQUIPMENT OVER CONCRETE , ASPHALT , PACKED EARTH , OR ANY OTHER HARD SURFACE. A FALL ONTO A HARD SURFACE CAN RESULT IN SERIOUS INJURY TO THE EQUIPMENT USER. DO NOT USE EQUIPMENT UNTIL PROPERLY INSTALLED.

IT IS RECOMMENDED THAT ON-SITE ADULT SUPERVISION FOR CHILDREN OF ALL AGES BE PRESENT WHILE EQUIPMENT IS IN USE. PLEASE REFRAIN CHILDREN FROM WALKING CLOSE TO , IN FRONT OF , BEHIND OR BETWEEN MOVING ITEMS. REFRAIN CHILDREN FROM TWISTING SWING CHAINS OR ROPES SINCE THIS MAY REDUCE THE STRENGTH OF THESE ITEMS. WARN CHILDREN TO AVOID SWINGING EMPTY SEATS. TEACH CHILDREN TO SIT IN CENTER OF SWINGS WITH THEIR FULL WEIGHT ON THE SEATS. TEACH CHILDREN TO USE EQUIPMENT IN THE INTENDED MANNER. TEACH CHILDREN NOT TO GET OFF EQUIPMENT WHILE STILL IN MOTION. PARENTS SHOULD MAKE SURE CHILDREN ARE DRESSED APPROPRIATELY. FOR EXAMPLE WELL FITTING SHOES, THE AVOIDANCE OF PONCHOS , SCARVES AND OTHER LOOSE FITTING CLOTHING WHICH IS POTENTIALLY HAZARDOUS WHILE USING EQUIPMENT. REFRAIN CHILDREN FROM CLIMBING ON EQUIPMENT WHEN IT IS WET.

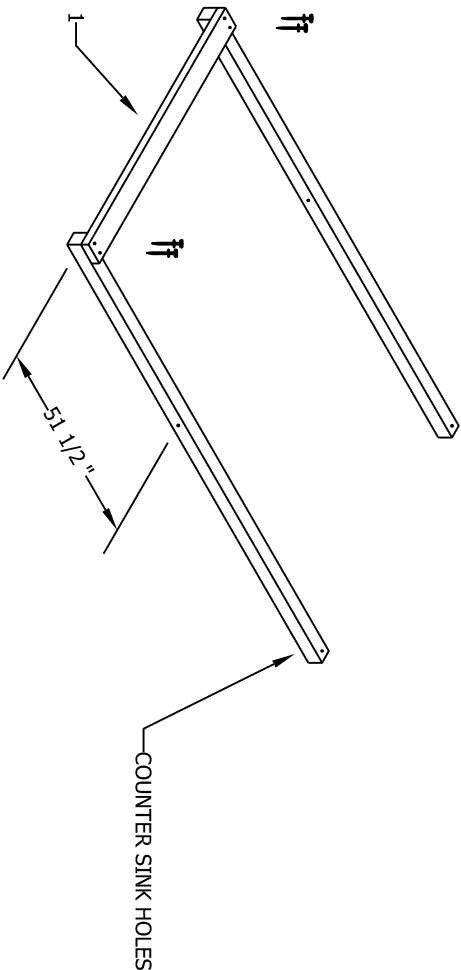
CHECK ALL NUTS AND BOLTS TWICE MONTHLY DURING THE USAGE SEASON FOR TIGHTNESS. TIGHTEN AS REQUIRED. IT IS PARTICULARLY IMPORTANT THAT THIS PROCEDURE BE FOLLOWED AT THE BEGINNING OF EACH SEASON.

CHECK ALL COVERINGS FOR BOLTS AND SHARP EDGES TWICE MONTHLY DURING USAGE SEASON TO BE CERTAIN THEY ARE IN PLACE. REPLACE WHEN NECESSARY. IT IS ESPECIALLY IMPORTANT TO DO THIS AT THE BEGINNING OF EACH NEW SEASON.

CHECK SWING SEATS AND CHAINS MONTHLY DURING USAGE SEASON FOR EVIDENCE OF DETERIORATION. REPLACEMENT SHOULD BE MADE AT FIRST SIGN OF DETERIORATION.

STEP 1 - PLACE 2 X 6 SAND BOX BOARD (1) FLUSH WITH BOTTOM OF CORNER POSTS AS SHOWN. FASTEN WITH 3 1/2 " LAG SCREWS W/ 3/8 " WASHERS. FASTEN LAG SCREWS ONE AT A TIME. MAKE SURE THE COUNTER SINK HOLES IN THE CORNER POSTS ARE TO THE INSIDE (OPPOSITE OF THE SAND BOX BOARDS).

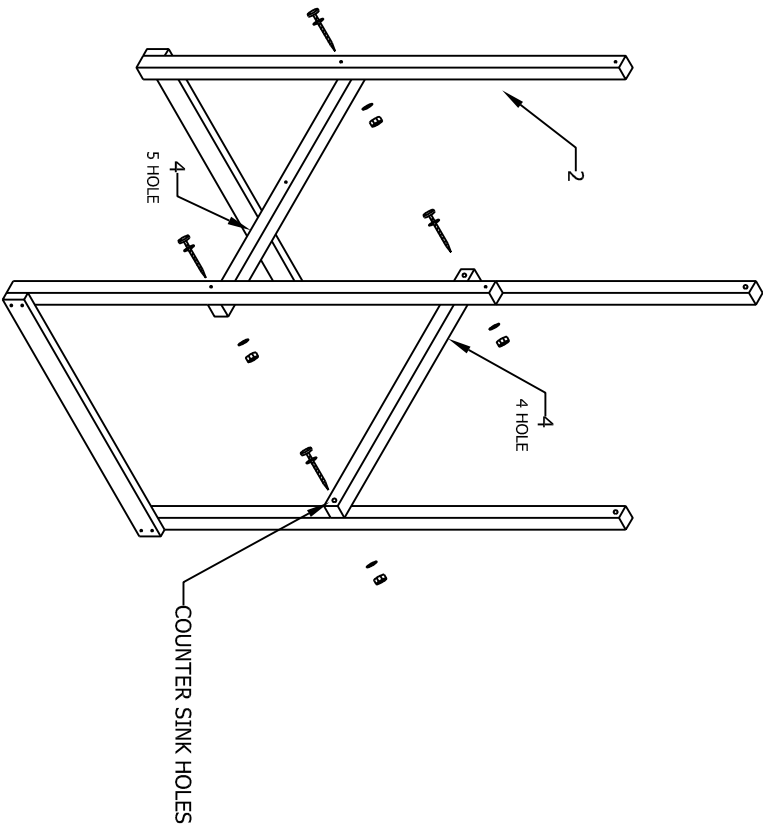
REPEAT STEP TO COMPLETE OPPOSITE SIDE.



STEP 2 - NOW THAT THE SIDES ARE BUILT, PROP UP ONE SIDE AND FASTEN THE 4 X 4 BLOCK SUPPORTS (2) TO THE CORNER POSTS (2), MATCHING THE DRILL HOLES AT 51 1/2 " ON THE CORNER POSTS, WITH 6 1/2 " CARRIAGE BOLTS W/ WASHERS. MAKE SURE COUNTER SINK HOLES ARE TO THE INSIDE.

REPEAT STEP TO COMPLETE OPPOSITE SIDE.  
CHECK SYSTEM FOR PLUMB AND LEVEL

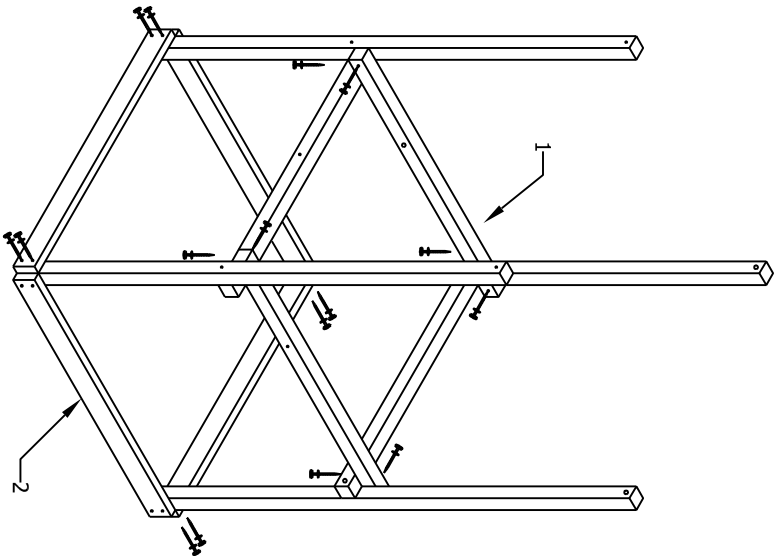
NOTE  
1/2 " WASHERS TO OUTSIDE OF THE CORNER POSTS  
3/8 " WASHERS TO INSIDE OF THE BLOCK SUPPORTS



STEP 3 - FASTEN REMAINING 2 X 6 SAND BOX BOARDS (2) TO CORNER POSTS WITH 3 1/2 " LAG SCREWS W/ 3/8 " WASHERS FLUSH WITH BOTTOM.

STEP 4 - FASTEN 4 X 4 DECK SUPPORTS (1) ON TOP OF BLOCK SUPPORTS (2) AND FLUSH WITH CORNER POSTS WITH 5 " LAG SCREWS W/ 3/8 " WASHERS. BE SURE TO FASTEN THE DECK SUPPORTS FROM UNDERNEATH WITH 5 " LAG SCREWS W/ 3/8 " WASHERS.

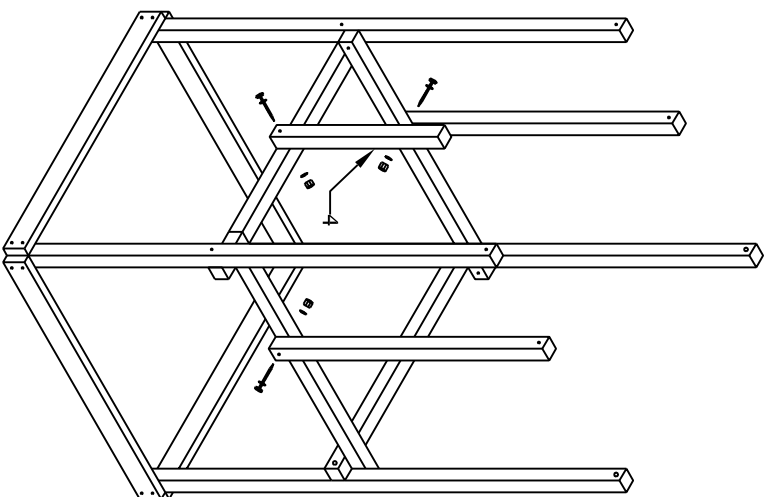
STEP 5 - AT THIS POINT , MAKE SURE MAIN FRAME IS PLUMB AND LEVEL.  
PLACE LEVEL ON BLOCK SUPPORTS AND DECK SUPPORTS.



STEP 6 - FASTEN 4 X 4 WALL PANEL POSTS (3) TO DECK SUPPORTS (1) , FLUSH WITH BOTTOM AND AT PILOT HOLE OF DECK SUPPORT , WITH 6 1/2 " CARRIAGE BOLTS W/ WASHERS. MAKE SURE THE COUNTER SINK HOLES FACING THE BACK CORNER POSTS.

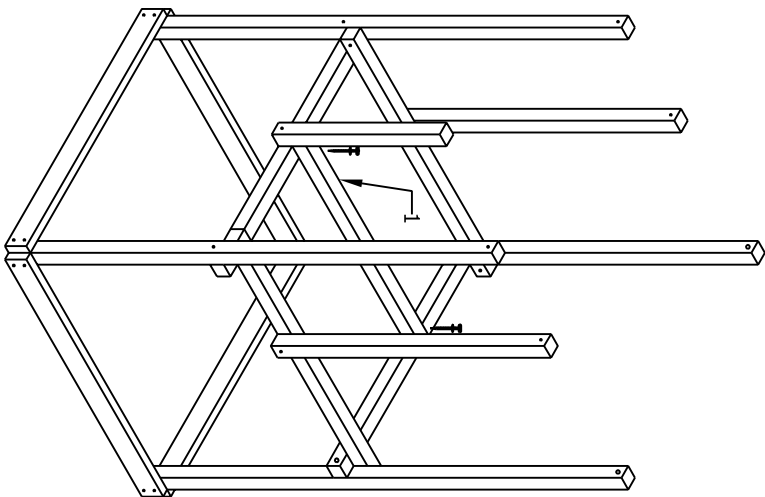
STEP 7 - FASTEN 4 X 4 PORCH CENTER POST (3) TO BLOCK SUPPORT FLUSH WITH BOTTOM AND AT CENTER OF BLOCK SUPPORT WITH 6 1/2 " CARRIAGE BOLTS.

**NOTE**  
1/2 " WASHERS TO OUTSIDE OF THE POSTS  
3/8 " WASHERS TO INSIDE OF THE BLOCK SUPPORTS

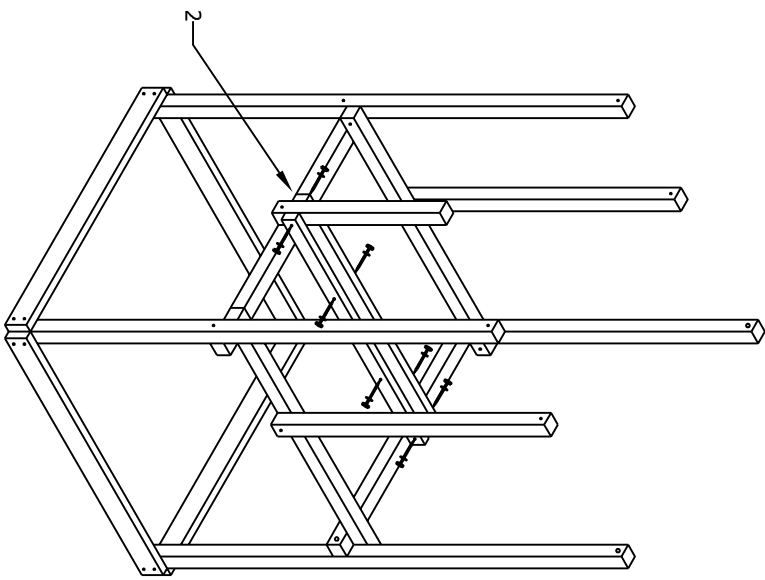


# CHALET

STEP 8 - PLACE 4 X 4 TIRE SWING SUPPORT (1) IN CENTER OF BLOCK SUPPORTS AND FLUSH AGAINST THE PORCH CENTER POSTS. FASTEN TIRE SWING SUPPORT TO THE BACK AND FRONT BLOCK SUPPORTS WITH A 5 " LAG SCREWS W/ 3/8 " WASHERS.



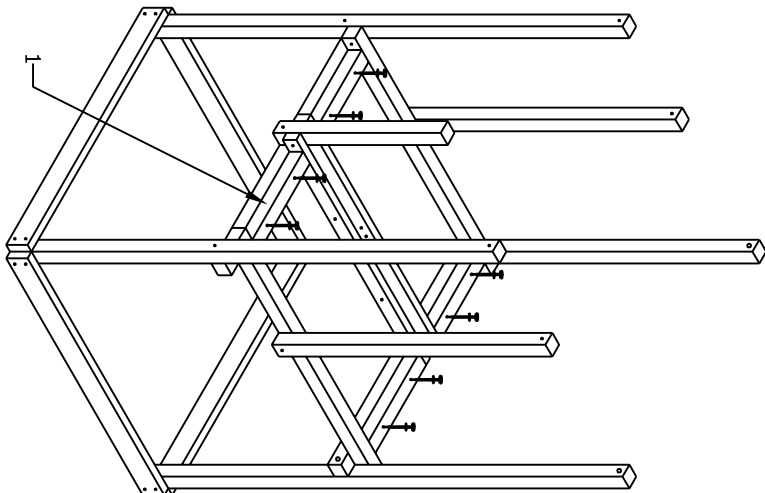
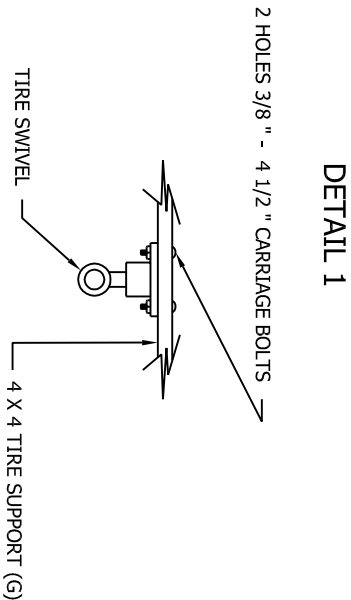
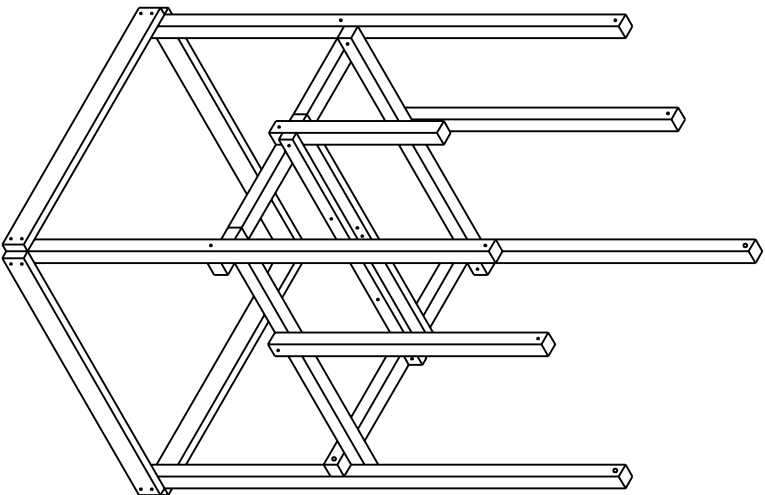
STEP 9 - FASTEN 2 X 4 CENTER DECK SUPPORTS (2) FLUSH WITH THE CENTER POSTS AND THE TIRE SWING SUPPORT (1) WITH 3 1/2 " LAG SCREWS W/ WASHERS. ALSO FASTEN CENTER DECK SUPPORTS (2 ) DIRECTLY TO THE TIRE SWING SUPPORT WITH 3 1/2 " LAG SCREWS W/ 3/8 " WASHERS.



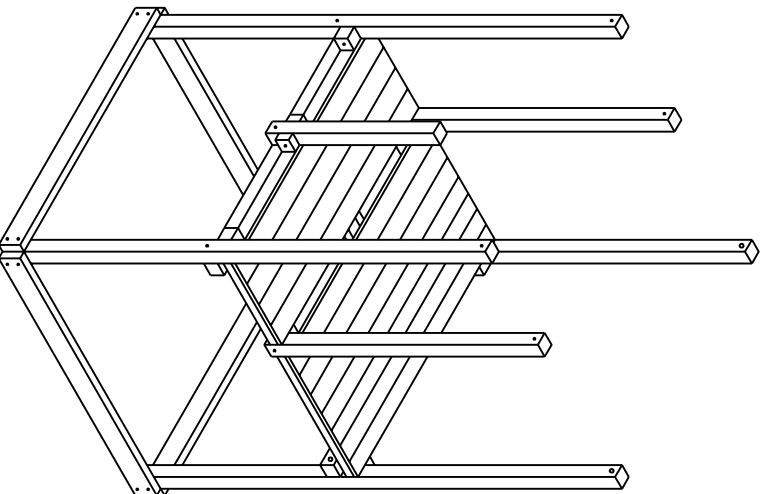
# CHALET

STEP 10 - LOCATE CENTER OF TIRE SUPPORT. DRILL 2 - 3/8 " PILOT HOLES FOR THE TIRE SWIVEL. FASTEN TIRE SWIVEL FROM TOP WITH 4 1/2 " CARRIAGE BOLT. SEE DETAIL 1.

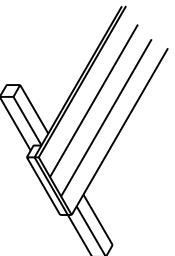
STEP 11 - PLACE 4 X 4 BLOCK SPACERS (1) ON TOP OF BLOCK SUPPORTS, BETWEEN THE END DECK SUPPORTS AND THE CENTER DECK SUPPORTS. FASTEN TO BLOCK SUPPORTS FROM TOP WITH 5 " LAG SCREWS W/ 3/8 " WASHERS.



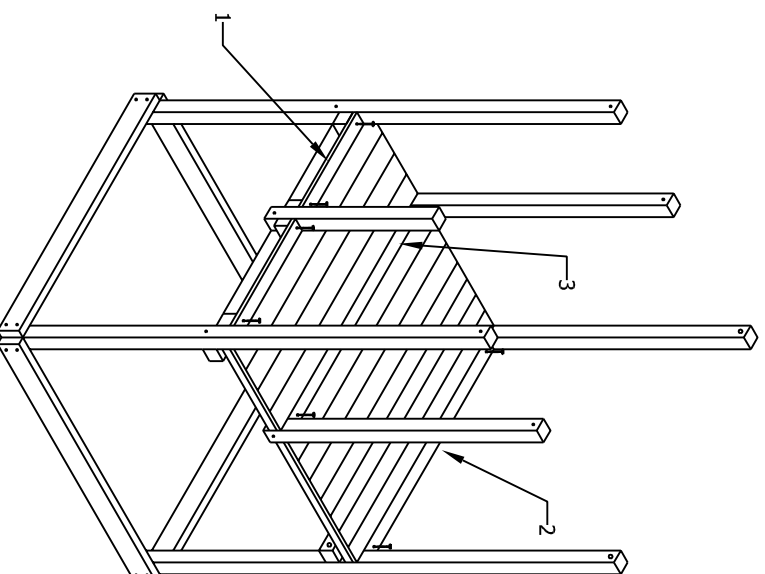
STEP 12 - PLACE PRE BUILT DECK PANELS ON TOP OF DECK SUPPORTS. LET DECK STREAMER OVERLAP DECK SUPPORT. NO SCREWS ARE NEEDED, SEE DETAIL 1.



DETAIL 1

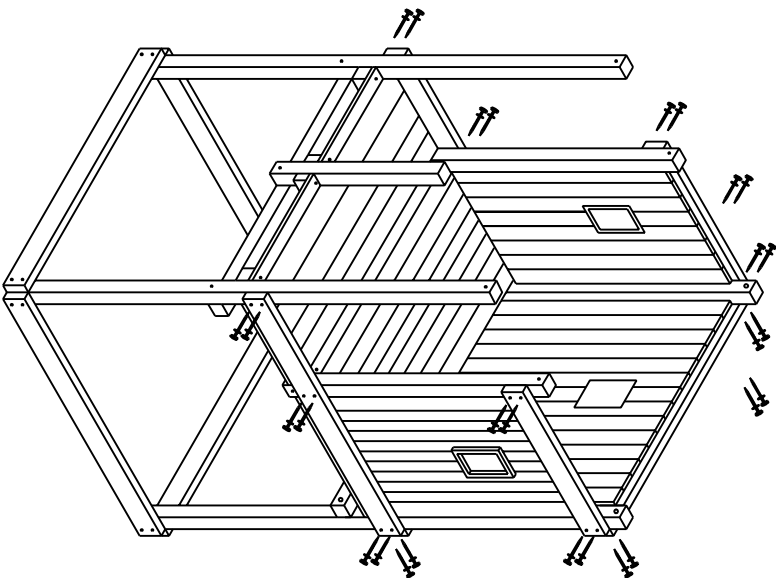


STEP 13 - PLACE THE SHORT 5/4 DECK SPACERS (1) BETWEEN THE FRONT CORNER AND CENTER POSTS. FASTEN DECK SPACERS TO THE CENTER AND END DECK SUPPORTS WITH WOOD SCREWS. PLACE THE FIRST LONG 5/4 DECK SPACER (2) BETWEEN THE BACK CORNER POSTS. FASTEN DECK SPACER TO THE CENTER AND END DECK SUPPORTS WITH WOOD SCREWS. PLACE THE SECOND LONG 5/4 DECK SPACER (3) BETWEEN THE WALL PANEL POSTS. FASTEN DECK SPACER TO THE CENTER AND END DECK SUPPORTS WITH WOOD SCREWS.



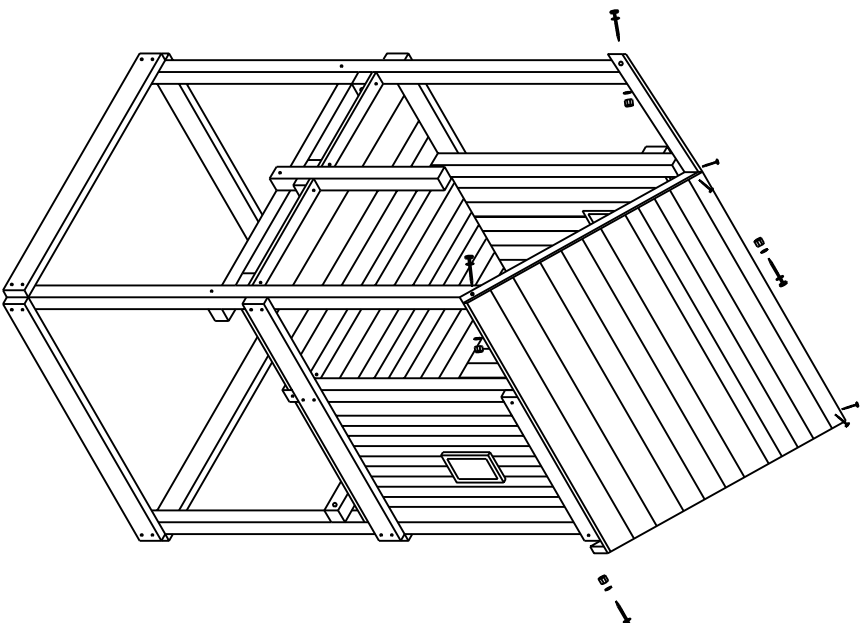
STEP 14 - PLACE SIDE WALL PANELS FLUSH WITH EDGES OF THE WALL PANEL POSTS AND BACK CORNER POSTS, ALLOWING PANEL BOARDS TO REST ON TOP OF THE DECK. FASTEN SIDE WALL PANELS TO THE WALL PANEL AND BOTH CORNER POSTS WITH 3 1/2 " LAG SCREWS W/ 3/8 " WASHERS AT THE TOP AND BOTTOM. PLACE BACK WALL PANEL FLUSH WITH THE EDGES OF THE BACK CORNER POSTS, ALLOWING THE PANEL BOARDS TO REST ON TOP OF THE DECK. FASTEN BACK WALL PANEL TO THE BACK CORNER POSTS WITH 3 1/2 " LAG SCREWS W/ 3/8 " WASHERS AT THE TOP AND BOTTOM.

NOTE  
SIDE WALLS HAVE EXTENDED 2 X 6 BOTTOMPANEL BOARDS.



STEP 15 - ONCE WALLS ARE FASTENED, PLACE ROOF PANELS ON TOP OF FOUR CORNER POSTS WITH THE 2 X 4 RUNNERS ON OUTSIDE OF POSTS WITH THE 45° ANGLE FACING THE INSIDE. THEN FASTEN END OF 2 X 4 TO CORNER POSTS WITH 4 " CARRIAGE BOLTS W/ WASHERS. THEN RAISE ROOF PANELS FROM CENTER OF FOOT UNTIL 2 X 4 RUNNERS JOIN TO MAKE A PEAK. FASTEN THE 2 X 4 RUNNERS TOGETHER WITH WOOD SCREWS.

NOTE  
1/2 " WASHERS TO THE OUTSIDE OF THE ROOF PANELS  
3/8 " WASHER TO THE INSIDE OF THE POSTS

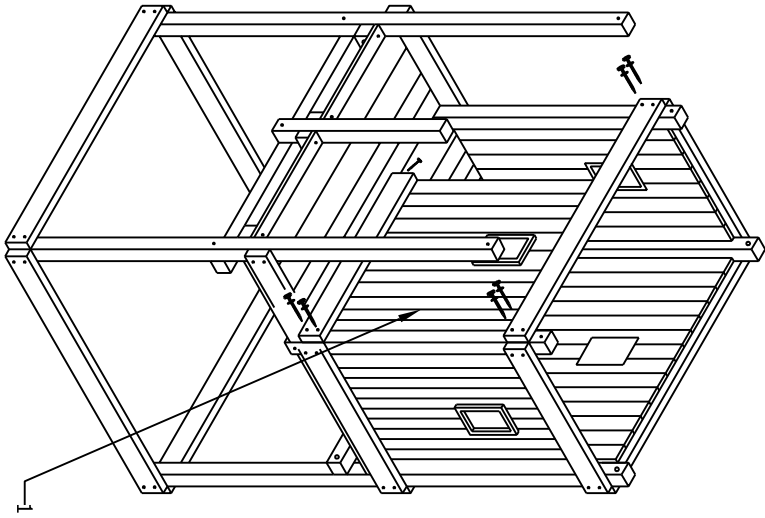




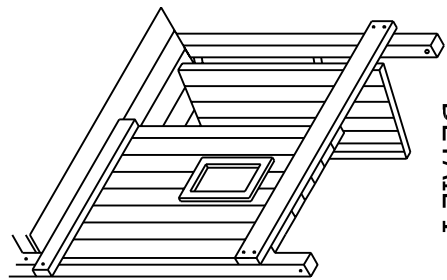
# CHALET

STEP 16 - FASTEN DOOR WALL PANEL (1) FLUSH WITH THE WALL PANEL POSTS WITH 3 1/2 " LAG SCREWS W/ 3/8 " WASHERS. TOE-NAIL A WOOD SCREW INTO THE END OF THE BOTTOM PANEL BOARD AS SHOWN. BOTTOM PANEL BOARD OF WALL WILL REST ON TOP OF THE DECK.

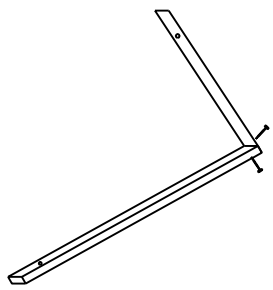
STEP 17 - INSTALL DOOR. FASTEN HINGES TO INSIDE OF PORT POST AND THE DOOR SUPPORTS WITH WOOD SCREWS. THE DOOR WILL OPERATE WITH AN IN-SWING OPENING. FASTEN THE DOOR 1/2 " ABOVE THE DECK TO ASSURE STABILITY. SEE DETAIL 1.



DETAIL 1



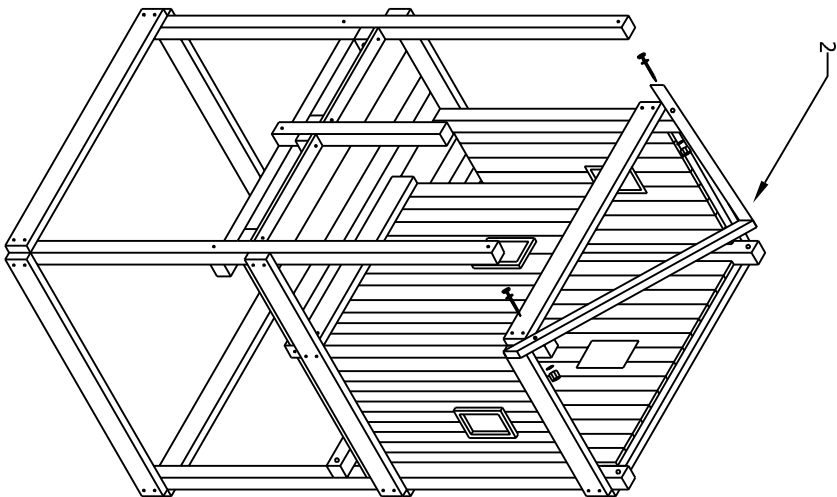
DETAIL 2



STEP 18 - FASTEN 2 X 4 ROOF SUPPORTS (2) TOGETHER AT 45° ENDS TO MAKE A PEAK WITH WOOD SCREWS. SEE DETAIL 2.

STEP 19 - AFTER ROOF SUPPORTS (2) ARE JOINED, FASTEN ROOF SUPPORTS TO THE WALL PANEL POSTS AT TOP PILOT HOLE WITH 4 " CARRIAGE BOLTS W/ WASHERS. MAKE SURE 2 X 4 ROOF SUPPORTS ARE FLUSH AGAINST THE ROOF PANELS.

**NOTE**  
1/2 " WASHER TO THE OUTSIDE OF THE ROOF SUPPORTS  
3/8 " WASHER TO INSIDE OF WALL PANEL POSTS

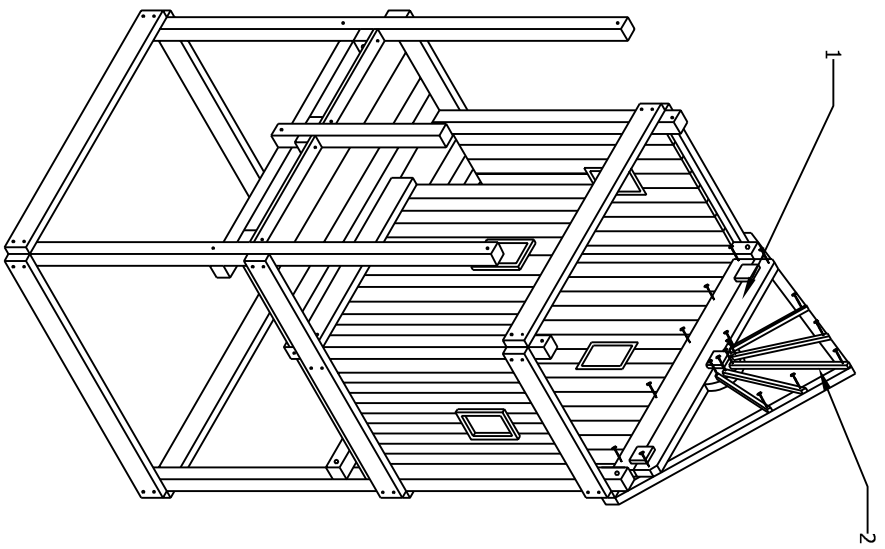


# CHALET

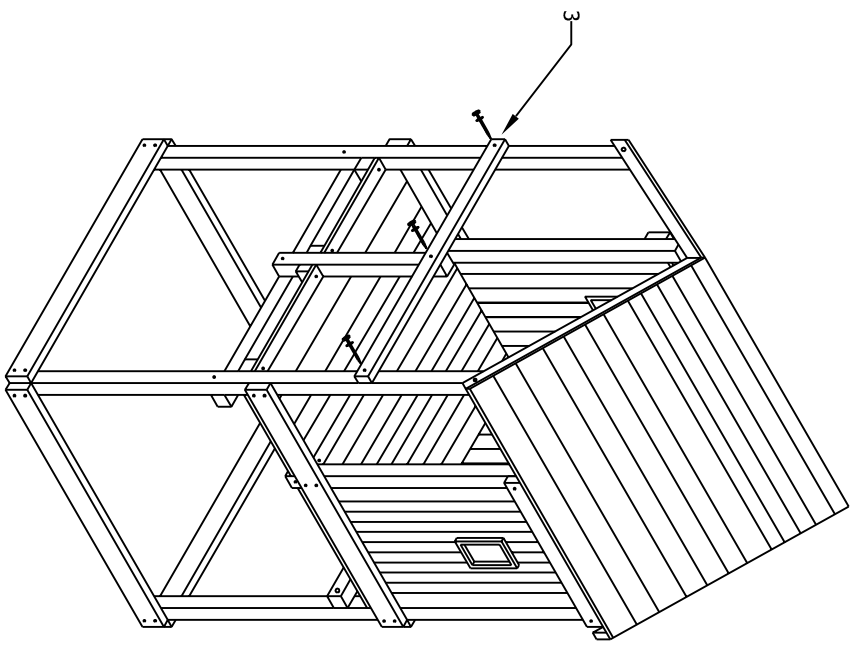
STEP 20 - LOCATE 2 SUNBURST PIECES (1). PLACE PIECES ON TOP OF PANEL BOARDS ON OF FRONT WALL PANEL ON THE INSIDE AND FLUSH WITH 2 X 4 ROOF FRAME. FASTEN TO ROOF FRAME AND WALL PANEL WITH 1 1/2 " WOOD SCREWS.

REPEAT STEP TO COMPLETE OPPOSITE SIDE.

STEP 21 - LOCATE THE 2 22 1/2 " PIECES AND THE 8 16 1/2 " PIECES. CENTER FIRST 22 1/2 " PIECE ON THE HALF CIRCLE AND PLACE THE 16 1/2 " PIECES ON EACH SIDE OF THE 22 1/2 " PIECE. SPACE PIECES EQUALLY AND FASTEN TO THE SUNBURST AND THE 2 X 4 ROOF FRAME WITH WOOD SCREWS. REPEAT STEP TO COMPLETE OPPOSITE SIDE.

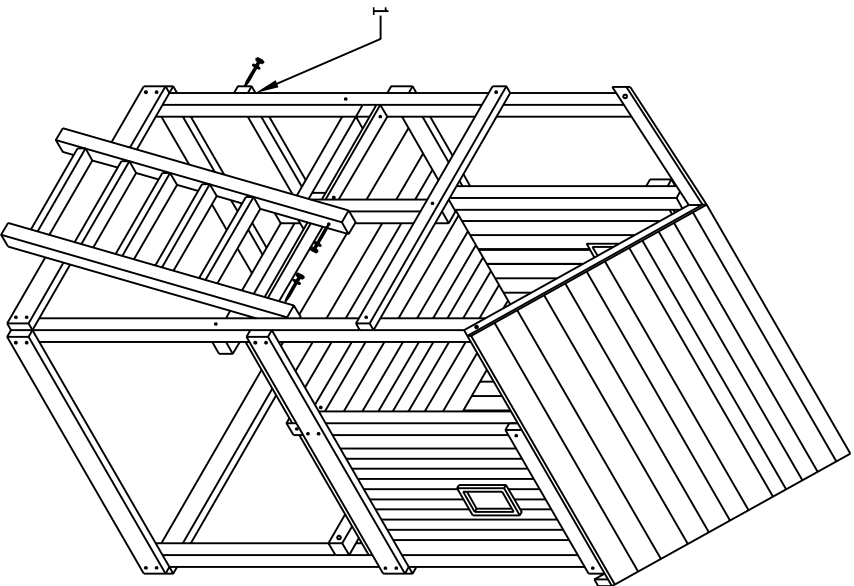


STEP 22 - PLACE 2 X 4 TOP PANEL BOARD (3) FLUSH WITH FRONT CORNER POSTS, 27 " ABOVE THE DECK. FASTEN TOP PANEL BOARD TO THE CENTER AND CORNER POSTS WITH 3 1/2 " LAG SCREWS W/ 3/8 " WASHERS.



STEP 23 - PLACE LADDER BETWEEN THE FRONT CENTER AND CORNER POSTS. FASTEN LADDER TO CENTER AND CORNER POSTS AT TOP OF LADDER FROM INSIDE WITH 5 " LAG SCREWS W/ 3/8 " WASHERS.

STEP 24 - FASTEN SAND BOX SAFETY BOARD (1) FLUSH WITH CORNER POSTS AT DESIRED LOCATION WITH 3 1/2 " LAG SCREWS W/ 3/8 " WASHERS. SAFETY BOARD SHOULD BE FASTENED ON SAME SIDE SWING BEAM WILL BE MOUNTED.

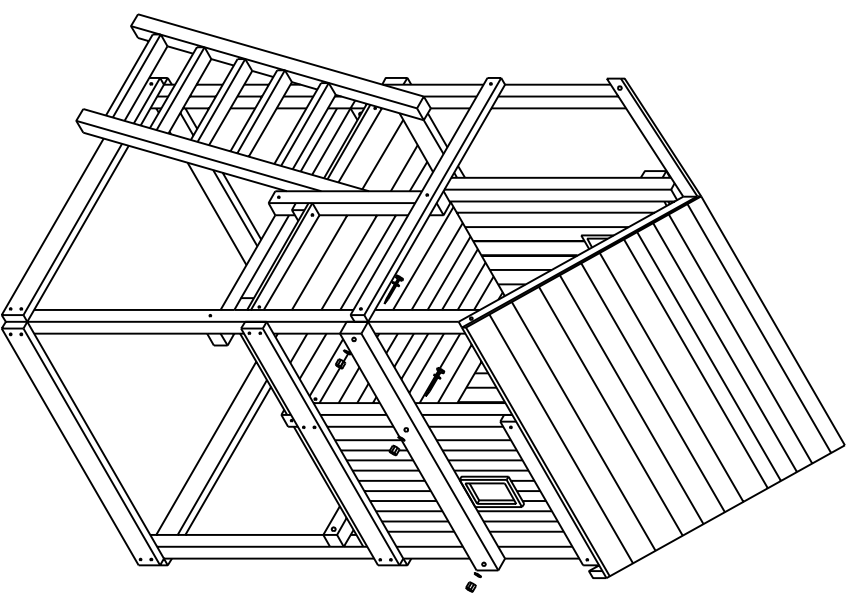


STEP 25 - FASTEN 4 X 6 SWING BEAM SUPPORT (1) FLUSH WITH FRONT CORNER POST, WALL PANEL POST AND BACK CORNER POST 27 " ABOVE THE DECK WITH 6 1/2 " CARriage BOLTS W/ WASHERS.

STEP 26 - FASTEN 2 X 6 BOTTOM PANEL BOARD (2) FLUSH WITH FRONT CORNER POSTS AND EVEN WITH THE BOTTOM PANEL BOARD OF SIDE WALL WITH 3 1/2 " LAG SCREWS W/ 3/8 " WASHERS AT THE FRONT OF THE BOARD. FASTEN WITH WOOD SCREWS AT THE BACK AS SHOWN.

NOTE

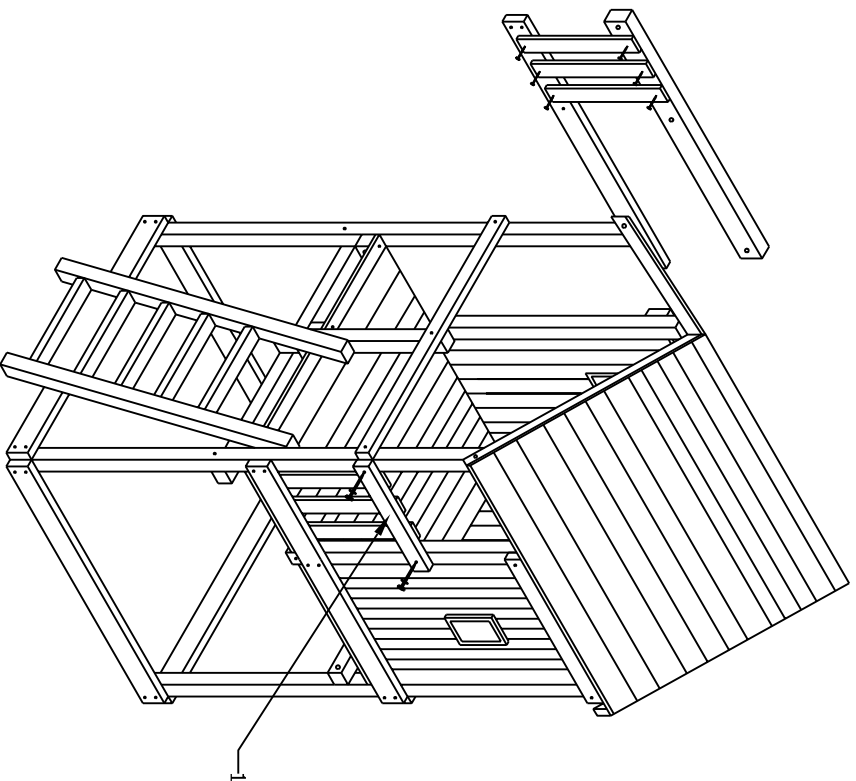
1/2 " WASHERS TO THE INSIDE OF THE POSTS  
3/8 " WASHERS TO THE OUTSIDE OF THE SWING BEAM SUPPORT



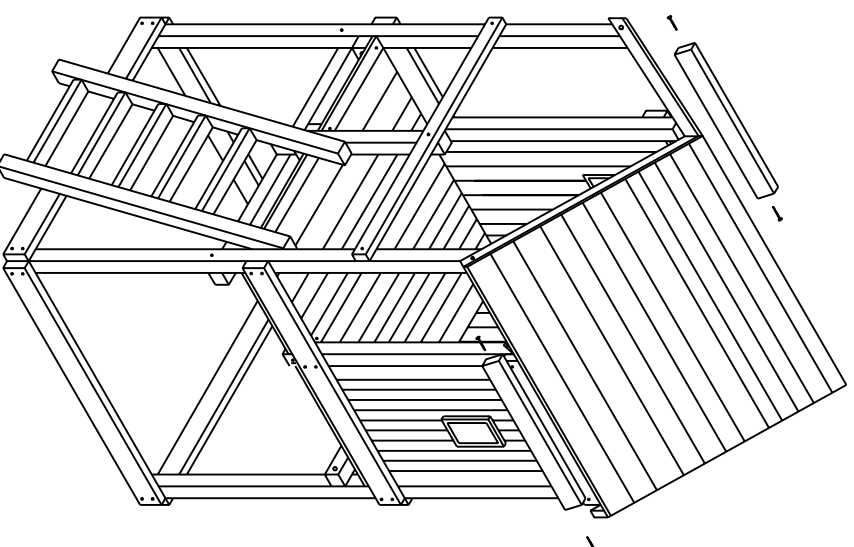
STEP 27 - FASTEN 2 X 4 TOP PANEL BOARD (1) FLUSH WITH PORCH AND WALL PANEL POSTS, 27 " ABOVE DECK WITH 3 1/2 " LAG SCREWS W/ 3/8 " WASHERS.

STEP 28 - FASTEN 5/4 PANEL BOARDS TO SWING BEAM SUPPORT AND BOTTOM PANEL BOARD, ALLOWING BOARDS TO REST ON TOP OF DECK WITH WOOD SCREWS.

REPEAT STEP TO COMPLETE OPPOSITE SIDE.

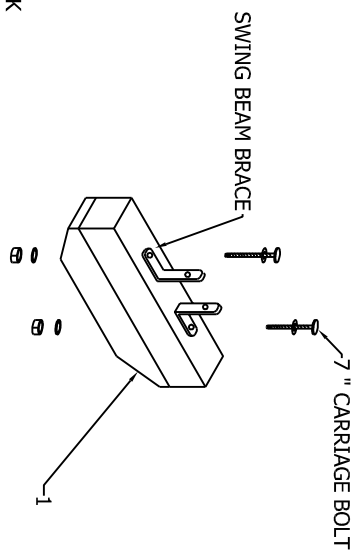


STEP 29 - FASTEN 2 X 4 FILLER BOARDS UNDER EDGE OF ROOF TO FILL GAPS WITH WOOD SCREWS TO 2 X 4 ROOF FRAMES.



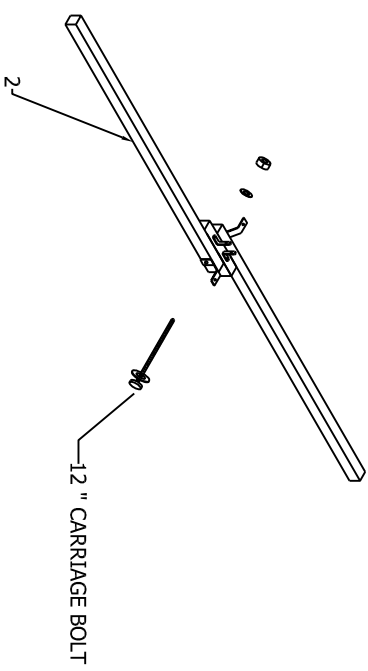
STEP 30 - BOLT SWING BEAM BLOCK SUPPORT (1) TOGETHER WITH 7" CARRIAGE BOLTS W/ WASHERS THROUGH SWING BEAM BRACE. PLACE 1/2" WASHER ON TOP SIDE OF BLOCK AND 3/8" WASHER ON BOTTOM SIDE OF BLOCK.

NOTE  
1/2" WASHERS TO THE TOP OF THE SB BLOCK  
3/8" WASHERS TO THE BOTTOM OF THE SB BLOCK



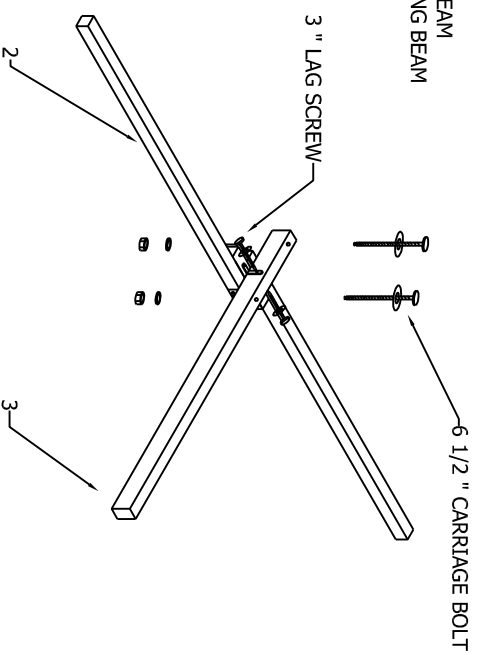
STEP 31 - PLACE SWING BEAM BLOCK (1) FLAT ON GROUND. PLACE SWING BEAM LEGS (2) BESIDE THE BEAM BLOCK. HOLD IN PLACE AND SLIDE 12" CARRIAGE BOLT THROUGH, 45 X 45 BRACE, 4 X 4 LEG, BEAM BLOCKING, 4 X 4 LEG AND 45 X 45 BRACE.

NOTE  
1/2" WASHERS TO THE CARRIAGE BOLT  
3/8" WASHERS TO THE NUT



NOTE  
1/2" WASHERS TO THE TOP OF THE SWING BEAM  
3/8" WASHERS TO THE BOTTOM OF THE SWING BEAM

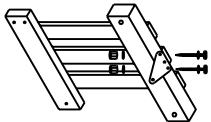
STEP 32 - PLACE SWING BEAM (3) BETWEEN SWING BEAM BRACES. FASTEN FROM UNDERNEATH THROUGH 45 X 45 BRACES AND SWING BEAM WITH 6 1/2" CARRIAGE BOLTS W/ WASHERS. ALSO FASTEN SWING BEAM TO BEAM BRACE WITH 3" LAG SCREWS W/ WASHERS. ANGLE THE LAG SCREWS SLIGHTLY UP AND DOWN.



STEP 33 - FASTEN SWING BEAM SUPPORT PLATE TO SWING BEAM WITH 2 - 5 1/2 " CARRIAGE BOLTS W/ WASHERS AT PILOT HOLES IN SWING BEAM SUPPORT. MIDDLE BOLT WILL BE ADDED LATER. SEE DETAIL 1.

NOTE  
1/2 " WASHER TO TOP OF SWING BEAM SUPPORT PLATE  
3/8 " WASHER TO BOTTOM OF SWING BEAM SUPPORT

DETAIL 1



STEP 34 - PICK UP SWING BEAM AND LEG ASSEMBLY.

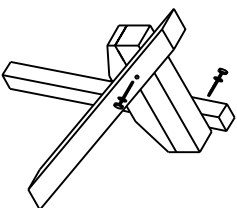
AS YOU LIFT THE BEAM, THE LEGS WILL SCISSOR CLOSER TOGETHER. PLACE END OF BEAM ON TOP OF STEEL PLATE AND FASTEN WITH 1 1/2 " CARRIAGE BOLT W/ WASHER FROM TOP OF BEAM THROUGH MIDDLE HOLE. FASTEN 5 " LAG SCREW W/ 3/8 " WASHER TO JOIN STEEL PLATE AND SWING BEAM FROM UNDERNEATH.

NOTE  
1/2 " WASHER TO THE TOP OF THE SWING BEAM  
3/8 " WASHER TO THE BOTTOM OF THE SWING BEAM

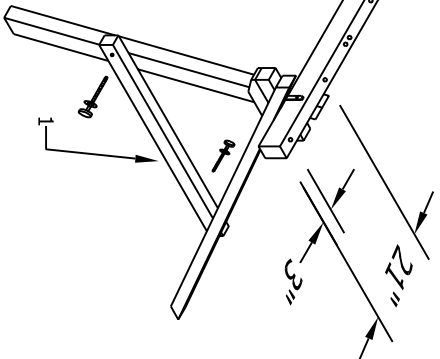
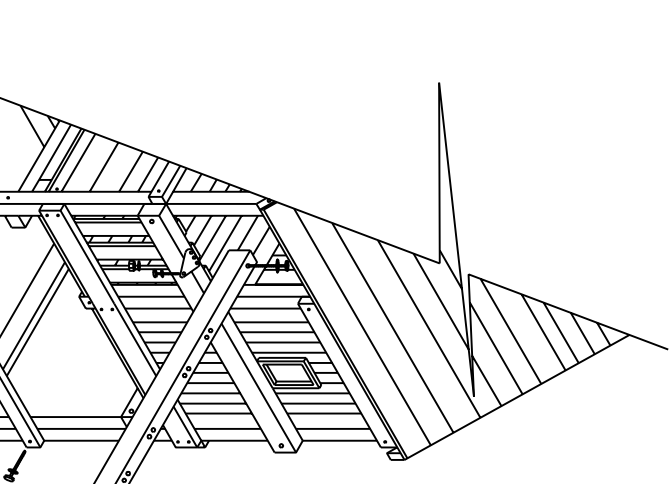
STEP 35 - FASTEN 4 X 4 LEG BRACE (1) TO 4 X 4 LEGS WITH 5 " LAG SCREWS W/ 3/8 " WASHERS. MAKE SURE NOT TO ALLOW LEG BRACE TO EXTEND TOO MUCH PAST LEGS, LEVEL SYSTEM AND TIGHTEN ALL BOLTS.

STEP 36 - PLACE THE SAFETY BOARD (2) FLUSH TO THE CORNER POSTS ON THE SAME SIDE OF THE SWING BEAM PANEL, AT THE DESIRED HEIGHT. FASTEN THE SAFETY BOARD TO THE CORNER POSTS WITH 3 1/2 " LAG SCREWS W/ 3/8 " WASHERS.

DETAIL 2



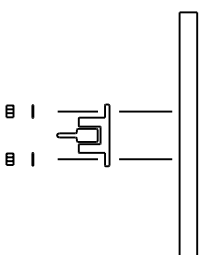
STEP 37 - COMPLETE FASTENING OF BEAM LEGS WITH 5 " LAG SCREWS W/ 3/8 " WASHERS. (SEE DETAIL 1)



STEP 38 - FASTEN SWING HANGERS AT PILOT HOLES IN SWING BEAM WITH 6 1/2 " CARRIAGE BOLTS W/ WASHERS. THEN PROCEED TO HANG SWING CHAINS AND SWINGS. (SEE DETAIL 2)

NOTE  
1/2 " WASHER TO TOP OF SWING BEAM  
3/8 " WASHER TO BOTTOM OF SWING BEAM

DETAIL 3



## CHALET

STEP 39 - PLACE THE SLIDE ON TOP OF THE DECK, BETWEEN THE CORNER AND CENTER POSTS. ALIGN THE PILOT HOLES OVER THE BLOCK SUPPORT. FASTEN THE SLIDE THROUGH THE DECK AND THE BLOCK SUPPORT WITH WOOD SCREWS.

